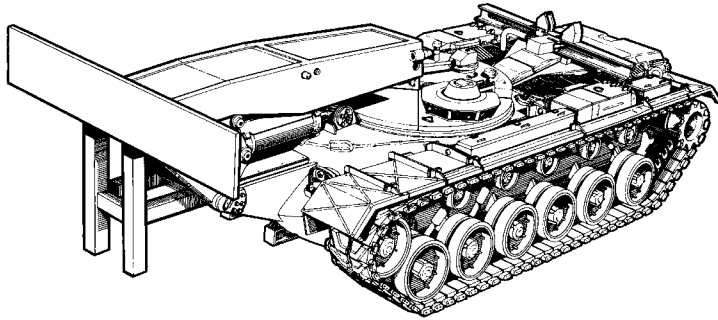


TECHNICAL MANUAL

ORGANIZATIONAL  
MAINTENANCE MANUAL



M48A5 TANK CHASSIS,  
TRANSPORTING:  
FOR BRIDGE,  
ARMORED-VEHICLE-LAUNCHED;  
SCISSORING TYPE, CLASS 60  
(5420-01-076-6096)

TABLE OF CONTENTS	i
ELECTRICAL SYSTEM MAINTENANCE	10-1
TRANSMISSION AND SHIFTING MAINTENANCE	11-1
FINAL DRIVE AND UNIVERSAL JOINTS MAINTENANCE	12-1
BRAKE SYSTEM MAINTENANCE	13-1
TRACKS AND SUSPENSION MAINTENANCE	14-1
STEERING SYSTEM MAINTENANCE	15-1
HULL-EXTERIOR MAINTENANCE	16-1

DISTRIBUTION STATEMENT A : Approved for public release; distribution is unlimited.

## **WARNING**

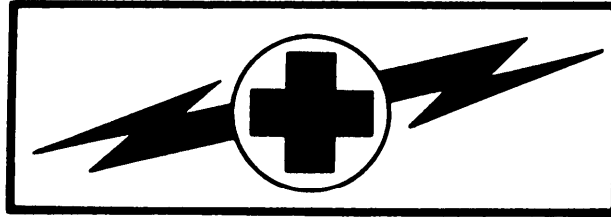
### **CARBON MONOXIDE POISONING CAN BE DEADLY**

Carbon monoxide is a colorless, odorless, deadly poisonous gas, which when breathed deprives the body of oxygen and causes suffocation. Exposure to air contaminated with carbon monoxide produces symptoms of headache, dizziness, loss of muscular control, apparent drowsiness, and/or coma. Permanent brain damage or death can result from severe exposure. Carbon monoxide occurs in the exhaust fumes of fuel-burning heaters and internal-combustion engines and becomes dangerously concentrated under conditions of inadequate ventilation. The following precautions must be observed to make sure of the safety of personnel whenever the personnel heater, main or auxiliary engine of any vehicle is operated for maintenance purposes or tactical use.

1. DO NOT operate heater or engine of vehicle in an enclosed area unless the area is ADEQUATELY VENTILATED.
2. DO NOT idle engine for long periods without maintaining ADEQUATE VENTILATION in personnel compartments.
3. DO NOT drive any vehicle with inspection plates, cover plates, or engine compartment doors removed unless necessary for maintenance purposes.
4. BE ALERT at all times during vehicle operation for exhaust odors and exposure symptoms. If either are present, IMMEDIATELY VENTILATE personnel compartments. If symptoms persist, remove affected personnel from vehicle and treat as follows: expose to fresh air; keep warm; DO NOT PERMIT PHYSICAL EXERCISE.

THE BEST DEFENSE AGAINST CARBON MONOXIDE POISONING IS ADEQUATE VENTILATION.

For artificial respiration, refer to FM 4-25.11.

**WARNING****WARNING**

## HIGH VOLTAGE

Used in the operation of this equipment

## DEATH ON CONTACT

May result if personnel fail to observe safety precautions.

Never work on electronic equipment unless there is another person nearby who is familiar with the operation and hazards of the equipment and who is competent in administering first aid. When a technician is aided by operators, he must warn them about dangerous areas.

Whenever possible, the master battery switch and battery ground straps should be either turned off or disconnected before beginning work on the equipment.

Whenever the nature of the operation permits, keep one hand away from the equipment to reduce the hazard of current flowing through vital organs of the body.

Before you work around tracked vehicles, remove rings, bracelets, and wristwatches. These items may be caught on projections and cause injury or may be shorted across an electrical circuit and cause severe burns and electrical shock.

For artificial respiration, refer to FM 4-25.11.

**WARNING**

## HAZARDOUS NOISE

1. Hearing protection (helmet) required.
2. Double hearing protection (helmet and ear plugs) required on road marches at speeds over 15 mph.

**WARNING**

The following summary list is adapted from the warnings within this volume. However, all warnings should be observed as noted in the text.

Hold up rear drain valve seat when removing last screw attaching valve seat to hull floor. Valve seat is heavy and can cause injury if it falls.

Hold up front drain valve cage assembly when removing last screw attaching cage to hull. Valve assembly may fall and cause injury if cage is not held up.

Handle charged fire extinguisher cylinders with care. Do not jar or subject cylinders to temperature above 140 degrees F (*60 degrees C*).

Driver's hatch cover weighs approximately 130 pounds. Do not try to lift it alone.

The unit commander or senior officer in charge of maintenance personnel assigned to remove and dispose of contaminated gas filters must prescribe necessary protective clothing to be worn when replacing gas particulate filters. He must also prescribe necessary safety measures to be performed before new gas filters are installed.

Contaminated gas particulate filters must be handled in accordance with FM 3-5 and must be disposed of by trained personnel.

Compressed air used for general cleaning purposes will not exceed 30 psi. Use only with effective chip guarding and personal protective equipment (goggles/shield, gloves, etc.).

FRH hydraulic fluid may contain Tricresyl Phosphate which, if taken internally, can produce paralysis. Hydraulic fluid may be absorbed through the skin. Wear long sleeves, gloves, goggles, and face shield. If FRH gets in eyes, wash them immediately and get medical aid immediately. If FRH gets on skin, thoroughly wash with soap and water. Wash hands thoroughly prior to eating or smoking. Application of these measures is considered an effective control of the hazard.

Dry Cleaning Solvent P-D-680 is toxic and flammable. To avoid injury, wear protective goggles and gloves and use in a well-ventilated area. Avoid contact with skin, eyes, and clothes, and do not breathe vapors. Do not use near open fire or excessive heat. The flash point for Type I Dry Cleaning Solvent is 100°F (38°C), and for Type II is 138°F (50°C). If you become dizzy while using Dry Cleaning Solvent, get fresh air immediately and get medical aid. If contact with eyes is made, wash your eyes with water and get medical aid immediately.

Remove all jewelry such as rings, watches, dog tags, bracelets, etc. If jewelry or disconnected battery ground cable contacts battery terminal, a direct short can result, causing instant heating of jewelry and tools, severe injury to personnel, or damage to equipment.

Battery acid (electrolyte) is extremely harmful. Always wear safety goggles and rubber gloves, and don't smoke while servicing batteries. Severe injury will result if acid contacts eyes or skin.

**WARNING**

**Failure to correctly connect brake quick disconnect will result in brake failure and could cause serious injury or death.**



CHANGE  
NO. 6

HEADQUARTERS  
DEPARTMENT OF THE ARMY  
*Washington, D.C., 29 December 2006*

**ORGANIZATIONAL  
MAINTENANCE**

**M48A5 TANK CHASSIS,  
TRANSPORTING:  
FOR BRIDGE,  
ARMORED-VEHICLE-LAUNCHED;  
SCISSORING TYPE, CLASS 60  
(5420-01-076-6096)**

TM 5-5420-226-20-3, dated 20 November 1981, is changed as follows:

1. Remove old pages and insert new pages as indicated below.
2. New or changed material is indicated by a vertical bar in the margin of the page.

Remove Pages

i thru iv  
10-1 and 10-2  
None  
10-13 and 10-14  
None  
None  
None  
None  
10-297 and 10-298  
2028 Sample and 2028 (Sample Back)  
2028 Front and 2028 Back  
2028 Front and 2028 Back  
2028 Front and 2028 Back  
Front Cover and Warning

Insert Pages

i thru v/(vi blank)  
10-1 and 10-2  
10-12.1 and 10-12.2  
10-13 and 10-14  
10-20.1 and 10-20.2  
10-166.1/(10-166.2 blank)  
10-268.1 thru 10-268.4  
10-296.1 thru 10-296.108  
10-297 and 10-298  
2028 Front and 2028 Back  
2028 Front and 2028 Back  
2028 Front and 2028 Back  
None  
Front Cover and Warning (PIN)

DISTRIBUTION STATEMENT A: Approved for public release; distribution is unlimited.

File this change sheet in front of the publication for reference purposes.

**By Order of the Secretary of the Army:**

Official:



JOYCE E. MORROW  
*Administrative Assistant to the  
Secretary of the Army*  
0627106

PETER J. SCHOOMAKER  
*General, United States Army  
Chief of Staff*

**DISTRIBUTION:** To be distributed in accordance with the initial distribution number (IDN) 371221 requirements for TM 5-5420-226-20-3



CHANGE  
NO. 5

HEADQUARTERS  
DEPARTMENT OF THE ARMY  
*Washington, D.C., 28 October 2005*

**ORGANIZATIONAL  
MAINTENANCE**

**M48A5 TANK CHASSIS,  
TRANSPORTING:  
FOR BRIDGE,  
ARMORED-VEHICLE-LAUNCHED;  
SCISSORING TYPE, CLASS 60  
(5420-01-076-6096)**

TM 5-5420-226-20-3, dated 20 November 1981, is changed as follows:

1. Remove old pages and insert new pages as indicated below.
2. New or changed material is indicated by a vertical bar in the margin of the page.

Remove Page

a and b  
None  
13-47 through 13-54  
Sample DA Form 2028-2  
DA Form 2028-2


Insert Pages

a through c/(d blank)  
A through E/(F blank)  
13-47 through 13-54  
Sample DA Form 2028  
DA Form 2028

By Order of the Secretary of the Army:

PETER J. SCHOOMAKER  
*General, United States Army*  
*Chief of Staff*

Official:

  
SANDRA R. RILEY  
*Administrative Assistant to the*  
*Secretary of the Army*  
0527226

**DISTRIBUTION:** To be distributed in accordance with the initial distribution requirements for IDN: 371221, requirements for TM 5-5420-226-20-3.

CHANGE  
NO. 4

HEADQUARTERS  
DEPARTMENT OF THE ARMY  
Washington, D.C., 2 AUGUST 1995

ORGANIZATIONAL,  
MAINTENANCE MANUAL  
  
M48A5 TANK CHASSIS,  
TRANSPORTING:  
FOR BRIDGE,  
ARMORED-VEHICLE-LAUNCHED  
SCISSORING TYPE, CLASS 60  
  
(NSN 5420-01-076-6096)

TM 5-5420-226-20-3, dated 20 November 1981, is changed as follows:

1. Remove old pages and insert new pages as indicated below.
2. New or changed information is indicated by a vertical bar in the margin of the page.

Remove Pages

16-21 thru 16-24

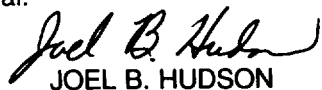
Insert Pages

16-21 thru 16-24

By Order of the Secretary of the Army:

DENNIS J. REIMER  
*General United States Army*  
*Chief of Staff*

Official:

  
JOEL B. HUDSON

*Acting Administrative Assistant to the*  
*Secretary of the Army*  
00542

To be distributed in accordance with DA Form 12-37-E, block 1221, requirements for  
TM 5-5420-226-20-3.

Approved for public release; distribution is unlimited.

File this change sheet in front of the publication for reference purposes.



CHANGE  
NO. 3

HEADQUARTERS  
DEPARTMENT OF THE ARMY  
Washington D. C., 30 November 1992

TECHNICAL MANUAL  
ORGANIZATIONAL MAINTENANCE

M48A5 TANK CHASSIS,  
TRANSPORTING:  
FOR BRIDGE,  
ARMORED VEHICLE-LAUNCHED:  
SCISSORING TYPE, CLASS 60  
(NSN 5420-076-6096)

TM 5-5420-226-20-3, 20 November 1981, is changed as follows:

1. Remove old pages and insert new pages as indicated below.
2. New or changed materials is indicated by a vertical bar in the margin of the page.

Remove Pages	Insert Pages
10-303 and 10-304	10-303 and 10-304
10-313 and 10-314	10-313 and 10-314
11-41 and 11-42	11-41 and 11-42
11-53 and 11-54	11-53 and 11-54
11-83 thru 11-86	11-83 thru 11-86
11-91 thru 11-96	11-91 thru 11-96
12-1 thru 12-4	12-1 thru 12-4
None	12-4.1 /(12-4.2 blank)
12-5 and 12-6	12-5 and 12-4
12-15 and 12-16	12-15 and 12-16
12-21 thru 12-23/(12-24 blank)	12-21 thru 12-24
None	12-25 thru 12-33/(12-34 blank)
13-107 and 13-108	13-107 and 13-108
14-1 thru 14-10	14-1 thru 14-10
14-13 and 14-14	14-13 and 14-14
14-17 thru 14-20	14-17 thru 14-20
None	14-20.1 and 14-20.2
14-21 and 14-22	14-21 and 14-22
None	14-22.1 and 14-22.2
14-23 thru 14-36	14-23 thru 14-36
14-39 thru 14-42	14-39 thru 14-42
None	14-42.1 /(14-42.2 blank)
14-43 thru 14-50	14-43 thru 14-50

File this change sheet in front of the publication for reference purposes.

Approved for public release; distribution is unlimited.

Remove Pages

14-55 thru 14-58  
14-63 thru 14-70  
14-73 and 14-74  
None  
14-75 and 14-76  
14-79 thru 14-84  
None  
14-5 and 14-86  
None  
14-95 thru 14-97/(14-98 blank)  
None

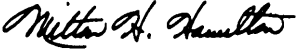
Insert Pages

14-55 thru 14-58  
14-63 thru 14-70  
14-73 and 14-74  
14-74.1 thru 14-74.3 /(14-74.4 blank)  
14-75 and 14-76  
14-79 thru 14-84  
14-84.1 /(14-84.2 blank)  
14-85 and 14-86  
14-94.1 and 14-94.2  
14-95 thru 14-98  
14-99 thru 14-101/(14-102 blank)

By Order of the Secretary of the Army:

GORDON R. SULLIVAN  
*General, United States Army*  
*Chief of Staff*

Official:

  
MILTON H. HAMILTON  
*Administrative Assistant to the*  
*Secretary of the Army*  
034077

Distribution:

To be distributed in accordance with DA Form 12-37-E (Block 1221) maintenance requirements for TM5-5420-226-20-3.

CHANGE  
NO. 2

HEADQUARTERS  
DEPARTMENT OF THE ARMY  
Washington, D.C., 2 December 1987

Organizational Maintenance Manual

M48A5 TANK CHASSIS, TRANSPORTING:  
FOR BRIDGE, ARMORED-VEHICLE-LAUNCHED  
SCISSORING TYPE, CLASS 60  
(5420-01-076-6096)

TM 5-5420-226-20-3, 20 November 1981, is changed as follows:

1. Remove old pages and insert new pages as indicated below.
2. *New* or changed material is indicated by a vertical bar in the margin of the page.

Remove Pages

12-15, thru 12-18  
None  
12-21 and 12-22

Insert Pages

12-15 thru 12-18  
12-18.1 and 12-18.2  
12-21 and 12-22

File this change sheet in front of the publication for reference purposes.

By Order of the Secretary of the Army

CARL E. VUONO  
*General, United States Army*  
*Chief of Staff*

Official:

R.L. DILWORTH  
*Brigadier General, United States Army*  
*The Adjutant General*

Distribution:

To be distributed in accordance with DA Form 12-37, Unit Maintenance requirements for Tank Bridge Launcher, M48A5 (AVLB).



CHANGE  
NO. 1

HEADQUARTERS  
DEPARTMENT OF THE ARMY  
Washington, D.C., 15 September 1986

Organizational Maintenance Manual

M48A5 TANK CHASSIS, TRANSPORTING: FOR BRIDGE,  
ARMORED-VEHICLE-LAUNCHED SCISSORING TYPE, CLASS 60  
(5420-01-076-6096)

TM 5-5420-226-20-3, 20 November 1981, is changed as follows:

1. Remove old pages and insert new pages as indicated below.
2. New or changed material is indicated by a vertical bar in the margin of the page.

Remove Pages

a and b  
i/(ii blank)  
10-1 and 10-2  
10-159 and 10-160  
10-267 and 10-268  
10-297 and 10-298  
None  
DA Forms 2028-2

Insert Pages

a and b  
i/(ii blank)  
10-1 and 10-2  
10-159 and 10-160  
10-267 and 10-268  
10-297 and 10-298  
10-298.1 thru 10-298.26  
DA Forms 2028-2

File this change sheet in front of the publication for reference purposes.

By Order of the Secretary of the Army:

JOHN A. WICKHAM, JR.  
*General, United States Army*  
*Chief of Staff*

Official:

R.L. DILWORTH  
*Brigadier General United States Army*  
*The Adjutant General*

Distribution:

To be distributed in accordance with DA form 12-37, Organizational maintenance requirements for Tank Bridge Launcher, M48A5 (AVLB).

LIST OF EFFECTIVE PAGES

INSERT LATEST CHANGED PAGES. DESTROY SUPERSEDED PAGES.

Note: The portion of the text affected by the changes is indicated by a Vertical line or an asterisk.

Dates of issue for original and changed pages are:  
 Original 0 . . . . . 20 November 1981  
 Original 1 . . . . . 15 September 1986  
 Change 2 . . . . . 02 December 1987  
 Change 3 . . . . . 30 November 1992  
 Change 4 . . . . . 02 August 1995  
 Change 5 . . . . . 28 October 2005  
 Change 6 . . . . . 29 December 2006

TOTAL NUMBER OF PAGES IN THIS PUBLICATION IS 1044, CONSISTING OF THE FOLLOWING:

Page No.	*Change No.	Page No.	*Change No.	Page No.	*Change No.
Front Cover	6	10-20.1 ADDED	6	10-61	0
PIN	6	10-20.2 ADDED	6	10-62	0
a	0	10-21	0	10-63	0
b	0	10-22	0	10-64	0
c	1	10-23	0	10-65	0
d	5	10-24	0	10-66	0
A	6	10-25	0	10-67	0
B	6	10-26	0	10-68	0
C	6	10-27	0	10-69	0
D	6	10-28	0	10-70	0
E	6	10-29	0	10-71	0
F	6	10-30	0	10-72	0
G	6	10-31	0	10-73	0
H BLANK	6	10-32	0	10-74	0
i	6	10-33	0	10-75	0
ii	6	10-34	0	10-76	0
iii	6	10-35	0	10-77	0
iv	6	10-36	0	10-78	0
v	6	10-37	0	10-79	0
vi BLANK	6	10-38	0	10-80	0
10-1	6	10-39	0	10-81	0
10-2	6	10-40	0	10-82	0
10-3	0	10-41	0	10-83	0
10-4	0	10-42	0	10-84	0
10-5	0	10-43	0	10-85	0
10-6	0	10-44	0	10-86	0
10-7	0	10-45	0	10-87	0
10-8	0	10-46	0	10-88	0
10-9	0	10-47	0	10-89	0
10-10	0	10-48	0	10-90	0
10-11	0	10-49	0	10-91	0
10-12	0	10-50	0	10-92	0
10-12.1 ADDED	6	10-51	0	10-93	0
10-12.2 ADDED	6	10-52	0	10-94	0
10-13	6	10-53	0	10-95	0
10-14	0	10-54	0	10-96	0
10-15	0	10-55	0	10-97	0
10-16	0	10-56	0	10-98	0
10-17	0	10-57	0	10-99	0
10-18	0	10-58	0	10-100	0
10-19	0	10-59	0	10-101	0
10-20	0	10-60	0	10-102	0

\*Zero in this column indicates an original page.

Page No.	*Change No.	Page No.	*Change No.	Page No.	*Change No.
10-103	0	10-160	0	10-215	0
10-104	0	10-161	0	10-216	0
10-105	0	10-162	0	10-217	0
10-106	0	10-163	0	10-218	0
10-107	0	10-164	0	10-219	0
10-108	0	10-165	0	10-220	0
10-109	0	10-166	0	10-221	0
10-110	0	10-166.1 ADDED	6	10-222	0
10-111	0	10-166.2 BLANK	6	10-223	0
10-112	0	10-167	0	10-224	0
10-113	0	10-168	0	10-225	0
10-114	0	10-169	0	10-226	0
10-115	0	10-170	0	10-227	0
10-116	0	10-171	0	10-228	0
10-117	0	10-172	0	10-229	0
10-118	0	10-173	0	10-230	0
10-119	0	10-174	0	10-231	0
10-120	0	10-175	0	10-232	0
10-121	0	10-176	0	10-233	0
10-122	0	10-177	0	10-234	0
10-123	0	10-178	0	10-235	0
10-124	0	10-179	0	10-236	0
10-125	0	10-180	0	10-237	0
10-126	0	10-181	0	10-238	0
10-127	0	10-182	0	10-239	0
10-128	0	10-183	0	10-240	0
10-129	0	10-184	0	10-241	0
10-130	0	10-185	0	10-242	0
10-131	0	10-186	0	10-243	0
10-132	0	10-187	0	10-244	0
10-133	0	10-188	0	10-245	0
10-134	0	10-189	0	10-246	0
10-135	0	10-190	0	10-247	0
10-136	0	10-191	0	10-248	0
10-137	0	10-192	0	10-249	0
10-138	0	10-193	0	10-250	0
10-139	0	10-194	0	10-251	0
10-140	0	10-195	0	10-252	0
10-141	0	10-196	0	10-253	0
10-142	0	10-197	0	10-254	0
10-143	0	10-198	0	10-255	0
10-144	0	10-199	0	10-256	0
10-145	0	10-200	0	10-257	0
10-146	0	10-201	0	10-258	0
10-147	0	10-202	0	10-259	0
10-148	0	10-203	0	10-260	0
10-149	0	10-204	0	10-261	0
10-150	0	10-205	0	10-262	0
10-151	0	10-206	0	10-263	0
10-152	0	10-207	0	10-264	0
10-153	0	10-208	0	10-265	0
10-154	0	10-209	0	10-266	0
10-155	0	10-210	0	10-267	0
10-156	0	10-211	0	10-268	1
10-157	0	10-212	0	10-268.1 ADDED	6
10-158	0	10-213	0	10-268.2 ADDED	6
10-159	0	10-214	0	10-268.3 ADDED	6

\*Zero in this column indicates an original page.

Page No.	*Change No.	Page No.	*Change No.	Page No.	*Change No.
10-268.4	ADDED	6	10-296.28	ADDED	6
10-269		0	10-296.29	ADDED	6
10-270		0	10-296.30	ADDED	6
10-271		0	10-296.31	ADDED	6
10-272		0	10-296.32	ADDED	6
10-273		0	10-296.33	ADDED	6
10-274		0	10-296.34	ADDED	6
10-275		0	10-296.35	ADDED	6
10-276		0	10-296.36	ADDED	6
10-277		0	10-296.37	ADDED	6
10-278		0	10-296.38	ADDED	6
10-279		0	10-296.39	ADDED	6
10-280		0	10-296.40	ADDED	6
10-281		0	10-296.41	ADDED	6
10-282		0	10-296.42	ADDED	6
10-283		0	10-296.43	ADDED	6
10-284		0	10-296.44	ADDED	6
10-285		0	10-296.45	ADDED	6
10-286		0	10-296.46	ADDED	6
10-287		0	10-296.47	ADDED	6
10-288		0	10-296.48	ADDED	6
10-289		0	10-296.49	ADDED	6
10-290		0	10-296.50	ADDED	6
10-291		0	10-296.51	ADDED	6
10-292		0	10-296.52	ADDED	6
10-293		0	10-296.53	ADDED	6
10-294		0	10-296.54	ADDED	6
10-295		0	10-296.55	ADDED	6
10-296		0	10-296.56	ADDED	6
10-296.1	ADDED	6	10-296.57	ADDED	6
10-296.2	ADDED	6	10-296.58	ADDED	6
10-296.3	ADDED	6	10-296.59	ADDED	6
10-296.4	ADDED	6	10-296.60	ADDED	6
10-296.5	ADDED	6	10-296.61	ADDED	6
10-296.6	ADDED	6	10-296.62	ADDED	6
10-296.7	ADDED	6	10-296.63	ADDED	6
10-296.8	ADDED	6	10-296.64	ADDED	6
10-296.9	ADDED	6	10-296.65	ADDED	6
10-296.10	ADDED	6	10-296.66	ADDED	6
10-296.11	ADDED	6	10-296.67	ADDED	6
10-296.12	ADDED	6	10-296.68	ADDED	6
10-296.13	ADDED	6	10-296.69	ADDED	6
10-296.14	ADDED	6	10-296.70	ADDED	6
10-296.15	ADDED	6	10-296.71	ADDED	6
10-296.16	ADDED	6	10-296.72	ADDED	6
10-296.17	ADDED	6	10-296.73	ADDED	6
10-296.18	ADDED	6	10-296.74	ADDED	6
10-296.19	ADDED	6	10-296.75	ADDED	6
10-296.20	ADDED	6	10-296.76	ADDED	6
10-296.21	ADDED	6	10-296.77	ADDED	6
10-296.22	ADDED	6	10-296.78	ADDED	6
10-296.23	ADDED	6	10-296.79	ADDED	6
10-296.24	ADDED	6	10-296.80	ADDED	6
10-296.25	ADDED	6	10-296.81	ADDED	6
10-296.26	ADDED	6	10-296.82	ADDED	6
10-296.27	ADDED	6	10-296.83	ADDED	6
			10-296.84	ADDED	6
			10-296.85	ADDED	6
			10-296.86	ADDED	6
			10-296.87	ADDED	6
			10-296.88	ADDED	6
			10-296.89	ADDED	6
			10-296.90	ADDED	6
			10-296.91	ADDED	6
			10-296.92	ADDED	6
			10-296.93	ADDED	6
			10-296.94	ADDED	6
			10-296.95	ADDED	6
			10-296.96	ADDED	6
			10-296.97	ADDED	6
			10-296.98	ADDED	6
			10-296.99	ADDED	6
			10-296.100	ADDED	6
			10-296.101	ADDED	6
			10-296.102	ADDED	6
			10-296.103	ADDED	6
			10-296.104	ADDED	6
			10-296.105	ADDED	6
			10-296.106	ADDED	6
			10-296.107	ADDED	6
			10-296.108	ADDED	6
			10-297		6
			10-298		1
			10-298.1		1
			10-298.2		1
			10-298.3		1
			10-298.4		1
			10-298.5		1
			10-298.6		1
			10-298.7		1
			10-298.8		1
			10-298.9		1
			10-298.10		1
			10-298.11		1
			10-298.12		1
			10-298.13		1
			10-298.14		1
			10-298.15		1
			10-298.16		1
			10-298.17		1
			10-298.18		1
			10-298.19		1
			10-298.20		1
			10-298.21		1
			10-298.22		1
			10-298.23		1
			10-298.24		1
			10-298.25		1
			10-298.26		1
			10-299		0
			10-300		0
			10-301		0

\*Zero in this column indicates an original page.

Page No.	*Change No.	Page No.	*Change No.	Page No.	*Change No.
10-302.....	0	11-33.....	0	11-90.....	0
10-303.....	3	11-34.....	0	11-91.....	3
10-304.....	0	11-35.....	0	11-92.....	0
10-305.....	0	11-36.....	0	11-93.....	3
10-306.....	0	11-37.....	0	11-94.....	0
10-307.....	0	11-38.....	0	11-95.....	0
10-308.....	0	11-39.....	0	11-96.....	0
10-309.....	0	11-40.....	0	11-97.....	0
10-310.....	0	11-41.....	0	11-98.....	0
10-311.....	0	11-42.....	3	11-99.....	0
10-312.....	0	11-43.....	0	11-100.....	0
10-313.....	3	11-44.....	0	11-101.....	0
10-314.....	0	11-45.....	0	11-102.....	0
10-315.....	0	11-46.....	0	11-103.....	0
10-316.....	0	11-47.....	0	11-104.....	0
10-317.....	0	11-48.....	0	12-1.....	3
10-318.....	0	11-49.....	0	12-2.....	3
10-319.....	0	11-50.....	0	12-3.....	0
10-320.....	0	11-51.....	0	12-4.....	3
10-321.....	0	11-52.....	0	12-4.1.....	3
10-322.....	0	11-53.....	3	12-4.2 BLANK.....	3
10-323.....	0	11-54.....	0	12-5.....	3
10-324.....	0	11-55.....	0	12-6.....	0
10-325.....	0	11-56.....	0	12-7.....	0
10-326.....	0	11-57.....	0	12-8.....	0
11-1.....	0	11-58.....	0	12-9.....	0
11-2.....	0	11-59.....	0	12-10.....	0
11-3.....	0	11-60.....	0	12-11.....	0
11-4.....	0	11-61.....	0	12-12.....	0
11-5.....	0	11-62.....	0	12-13.....	0
11-6.....	0	11-63.....	0	12-14.....	0
11-7.....	0	11-64.....	0	12-15.....	3
11-8.....	0	11-65.....	0	12-16.....	3
11-9.....	0	11-66.....	0	12-17.....	0
11-10.....	0	11-67.....	0	12-18.....	2
11-11.....	0	11-68.....	0	12-18.1.....	2
11-12.....	0	11-69.....	0	12-18.2.....	2
11-13.....	0	11-70.....	0	12-19.....	0
11-14.....	0	11-71.....	0	12-20.....	0
11-15.....	0	11-72.....	0	12-21.....	3
11-16.....	0	11-73.....	0	12-22.....	3
11-17.....	0	11-74.....	0	12-23.....	3
11-18.....	0	11-75.....	0	12-24.....	3
11-19.....	0	11-76.....	0	12-25.....	3
11-20.....	0	11-77.....	0	12-26.....	3
11-21.....	0	11-78.....	0	12-27.....	3
11-22.....	0	11-79.....	0	12-28.....	3
11-23.....	0	11-80.....	0	12-29.....	3
11-24.....	0	11-81.....	0	12-30.....	3
11-25.....	0	11-82.....	0	12-31.....	3
11-26.....	0	11-83.....	0	12-32.....	3
11-27.....	0	11-84.....	3	12-33.....	3
11-28.....	0	11-85.....	3	12-34 BLANK.....	3
11-29.....	0	11-86.....	3	13-1.....	0
11-30.....	0	11-87.....	0	13-2.....	0
11-31.....	0	11-88.....	0	13-3.....	0
11-32.....	0	11-89.....	0	13-4.....	0

\*Zero in this column indicates an original page.

Page No.	*Change No.	Page No.	*Change No.	Page No.	*Change No.
13-5	0	13-61	0	13-117	0
13-6	0	13-62	0	13-118	0
13-7	0	13-63	0	13-119	0
13-8	0	13-64	0	13-120	0
13-9	0	13-65	0	13-121	0
13-10	0	13-66	0	13-122	0
13-11	0	13-67	0	13-123	0
13-12	0	13-68	0	13-124	0
13-13	0	13-69	0	13-125	0
13-14	0	13-70	0	13-126	0
13-15	0	13-71	0	13-127	0
13-16	0	13-72	0	13-128	0
13-17	0	13-73	0	13-129	0
13-18	0	13-74	0	13-130	0
13-19	0	13-75	0	13-131	0
13-20	0	13-76	0	13-132	0
13-21	0	13-77	0	13-133	0
13-22	0	13-78	0	13-134 BLANK	0
13-23	0	13-79	0	14-1	3
13-24	0	13-80	0	14-2	3
13-25	0	13-81	0	14-3	3
13-26	0	13-82	0	14-4	3
13-27	0	13-83	0	14-5	3
13-28	0	13-84	0	14-6	3
13-29	0	13-85	3	14-7	3
13-30	0	13-86	0	14-8	3
13-31	0	13-87	0	14-9	3
13-32	0	13-88	0	14-10	3
13-33	0	13-89	0	14-11	0
13-34	0	13-90	0	14-12	0
13-35	0	13-91	0	14-13	3
13-36	0	13-92	0	14-14	0
13-37	0	13-93	0	14-15	0
13-38	0	13-94	0	14-16	0
13-39	0	13-95	0	14-17	3
13-40	0	13-96	0	14-18	0
13-41	0	13-97	0	14-19	3
13-42	0	13-98	0	14-20	3
13-43	0	13-99	0	14-20.1	3
13-44	0	13-100	0	14-20.2	3
13-45	0	13-101	0	14-21	3
13-46	0	13-102	0	14-22	3
13-47	5	13-103	0	14-22.1	3
13-48	5	13-104	0	14-22.2	3
13-49	5	13-105	0	14-23	3
13-50	5	13-106	0	14-24	3
13-51	5	13-107	3	14-25	3
13-52	5	13-108	0	14-26	3
13-53	5	13-109	0	14-27	3
13-54	5	13-110	0	14-28	3
13-55	0	13-111	0	14-29	3
13-56	0	13-112	0	14-30	3
13-57	0	13-113	0	14-31	3
13-58	0	13-114	0	14-32	0
13-59	0	13-115	0	14-33	3
13-60	0	13-116	0	14-34	3

\*Zero in this column indicates an original page.

Page No.	*Change No.	Page No.	*Change No.	Page No.	*Change No.
14-35	3	14-82.2 BLANK	3	15-37	0
14-36	3	14-85	3	15-38	0
14-37	0	14-86	3	15-39	0
14-38	0	14-87	0	15-40	0
14-39	0	14-88	0	15-41	0
14-40	3	14-89	0	15-42	0
14-41	3	14-90	0	15-43	0
14-42	3	14-91	0	15-44	0
14-42.1	3	14-92	0	15-45	0
14-42.2 BLANK	3	14-93	0	15-46	0
14-43	3	14-94	0	15-47	0
14-44	0	14-94.1	3	15-48	0
14-45	0	14-94.2	3	15-49	0
14-46	3	14-95	3	15-50	0
14-47	3	14-96	3	15-51	0
14-48	0	14-97	3	15-52	0
14-49	3	14-98	3	16-1	0
14-50	0	14-99	3	16-2	0
14-51	0	14-100	3	16-3	0
14-52	0	14-101	3	16-4	0
14-53	0	14-102 BLANK	3	16-5	0
14-54	0	15-1	0	16-6	0
14-55	0	15-2	0	16-7	0
14-56	3	15-3	0	16-8	0
14-57	3	15-4	0	16-9	0
14-58	3	15-5	0	16-10	0
14-59	0	15-6	0	16-11	0
14-60	0	15-7	0	16-12	0
14-61	0	15-8	0	16-13	0
14-62	0	15-9	0	16-14	0
14-63	3	15-10	0	16-15	0
14-64	3	15-11	0	16-16	0
14-65	3	15-12	0	16-17	0
14-66	3	15-13	0	16-18	0
14-67	3	15-14	0	16-19	0
14-68	0	15-15	0	16-20	0
14-69	0	15-16	0	16-21	4
14-70	3	15-17	0	16-22	0
14-71	0	15-18	0	16-23	0
14-72	0	15-19	0	16-24	4
14-73	3	15-20	0	16-25	0
14-74	3	15-21	0	16-26	0
14-74.1	3	15-22	0	16-27	0
14-74.2	3	15-23	0	16-28	0
14-74.3	3	15-24	0	16-29	0
14-74.4 BLANK	3	15-25	0	16-30	0
14-75	3	15-26	0	16-31	0
14-76	0	15-27	0	16-32	0
14-77	0	15-28	0	16-33	0
14-78	0	15-29	0	16-34	0
14-79	0	15-30	0	16-35	0
14-80	3	15-31	0	16-36	0
14-81	3	15-32	0	16-37	0
14-82	0	15-33	0	16-38	0
14-83	3	15-34	0	16-39	0
14-84	3	15-35	0	16-40	0
14-84.1	3	15-36	0	16-41	0

\*Zero in this column indicates an original page.



Page No.	*Change No.	Page No.	*Change No.	Page No.	*Change No.
16-42	.....0	16-61	.....0	16-80	.....0
16-43	.....0	16-62	.....0	16-81	.....0
16-44	.....0	16-63	.....0	16-82	.....0
16-45	.....0	16-64	.....0	16-83	.....0
16-46	.....0	16-65	.....0	16-84	.....0
16-47	.....0	16-66	.....0	16-85	.....0
16-48	.....0	16-67	.....0	16-86	.....0
16-49	.....0	16-68	.....0	Authentication Front	.....0
16-50	.....0	16-69	.....0	BLANK	.....0
16-51	.....0	16-70	.....0	2028 Front	.....6
16-52	.....0	16-71	.....0	2028 Back	.....6
16-53	.....0	16-72	.....0	2028 Front	.....6
16-54	.....0	16-73	.....0	2028 Back	.....6
16-55	.....0	16-74	.....0	2028 Front	.....6
16-56	.....0	16-75	.....0	2028 Back	.....6
16-57	.....0	16-76	.....0	Inside Back Cover	.....0
16-58	.....0	16-77	.....0	Back Cover PIN	.....0
16-59	.....0	16-78	.....0		
16-60	.....0	16-79	.....0		

\*Zero in this column indicates an original page.



**ORGANIZATIONAL  
MAINTENANCE MANUAL**

**M48A5 TANK CHASSIS,  
TRANSPORTING:  
FOR BRIDGE,  
ARMORED-VEHICLE-LAUNCHED;  
SCISSORING TYPE, CLASS 60  
(5420-01-076-6096)**

**REPORTING ERRORS AND RECOMMENDING IMPROVEMENTS**

You can help improve this publication. If you find any mistakes or if you know of a way to improve the procedures, please let us know. Submit your DA Form 2028 (Recommended Changes to Equipment Technical Publications), through the Internet, on the Army Electronic Product Support (AEPS) website. The Internet address is <https://aeps.ria.army.mil>. The DA Form 2028 is located under the Public Applications section in the AEPS Public Home Page. Fill out the form and click on SUBMIT. Using this form on the AEPS will enable us to respond quicker to your comments and better manage the DA Form 2028 program. You may also mail, fax or e-mail your letter or DA Form 2028 direct to: AMSTA-LC-LPIT/TECH PUBS, TACOM-RI, 1 Rock Island Arsenal, Rock Island, IL 61299-7630. The e-mail address is [TACOM-TECH-PUBS@ria.army.mil](mailto:TACOM-TECH-PUBS@ria.army.mil). The fax number is DSN 793-0726 or Commercial (309) 782-0726.

DISTRIBUTION STATEMENT A: Approved for public release; distribution is unlimited.

**TABLE OF CONTENTS**

	<b>Page</b>
<b>VOLUME 1</b>	
	iv
CHAPTER 1	1-1
Section I	1-1
Section II	1-2

**TABLE OF CONTENTS - Continued**

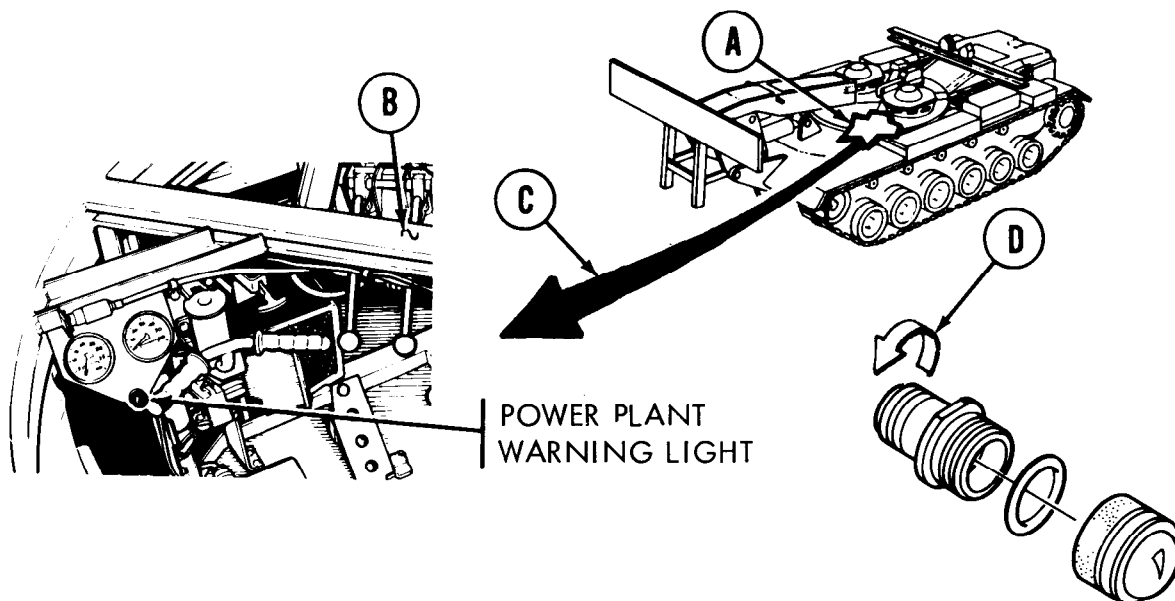
		<b>Page</b>
CHAPTER 2	<b>PRINCIPLES OF OPERATION</b> .....	2-1
Section I	Functional Description .....	2-1
Section II	Systems Operations .....	2-2
CHAPTER 3	<b>HULL MAINTENANCE</b> .....	3-1
Section I	Repair Parts, Special Tools, TMDE, And Support Equipment .....	3-1
Section II	Service Upon Receipt .....	3-6
Section III	Preventive Maintenance Checks And Services (PMCS) .....	3-7
CHAPTER 4	<b>TROUBLESHOOTING</b> .....	4-1
<b>VOLUME 2</b>		
CHAPTER 5	<b>POWERPLANT MAINTENANCE</b> .....	5-1
CHAPTER 6	<b>ENGINE MAINTENANCE</b> .....	6-1
CHAPTER 7	<b>FUEL SYSTEM MAINTENANCE</b> .....	7-1
CHAPTER 8	<b>EXHAUST SYSTEM MAINTENANCE</b> .....	8-1
CHAPTER 9	<b>COOLING SYSTEM MAINTENANCE</b> .....	9-1
<b>VOLUME 3</b>		
CHAPTER 10	<b>ELECTRICAL SYSTEM MAINTENANCE</b> .....	10-1
CHAPTER 11	<b>TRANSMISSION AND SHIFTING MAINTENANCE</b> .....	11-1
CHAPTER 12	<b>FINAL DRIVE AND UNIVERSAL JOINTS MAINTENANCE</b> .....	12-1
CHAPTER 13	<b>BRAKE SYSTEM MAINTENANCE</b> .....	13-1
CHAPTER 14	<b>TRACKS AND SUSPENSION SYSTEM MAINTENANCE</b> .....	14-1
CHAPTER 15	<b>STEERING SYSTEM MAINTENANCE</b> .....	15-1
CHAPTER 16	<b>HULL-EXTERIOR MAINTENANCE</b> .....	16-1

**TABLE OF CONTENTS - Continued**

		<b>Page</b>
<b>VOLUME 4</b>		
CHAPTER 17	HULL-INTERIOR MAINTENANCE .....	17-1
CHAPTER 18	PERSONNEL HEATER MAINTENANCE .....	18-1
CHAPTER 18.1	SMOKE GRENADE LAUNCHER MAINTENANCE .....	18.1-1
CHAPTER 19	SPEEDOMETER AND TACHOMETER MAINTENANCE .....	19-1
CHAPTER 20	FIRE EXTINGUISHER MAINTENANCE .....	20-1
CHAPTER 21	ENGINE SMOKE GENERATOR SYSTEM MAINTENANCE .....	21-1
APPENDIX A	REFERENCES .....	A-1
APPENDIX B	MAINTENANCE ALLOCATION CHART (MAC) .....	B-1
APPENDIX C	GENERAL MAINTENANCE .....	C-1
APPENDIX D	EXPENDABLE SUPPLIES AND MATERIALS .....	D-1
APPENDIX E	SCHEMATIC DIAGRAMS .....	E-1
APPENDIX F	ILLUSTRATED LIST OF MANUFACTURED ITEMS .....	F-1
	ALPHABETICAL INDEX .....	I-1
	MAINTENANCE INFORMATION INDEX .....	MI-1

**HOW TO USE THIS MANUAL:**

- Manual is divided into chapters.
- Chapters are by functional group code and are presented in same order as the RPSTL (Repair Parts and Special Tools List).
- Procedure indexes are on procedures that are four pages or more, and indicate how the procedure is set up, i.e., disassembly, removal, cleaning and inspection, etc.
- All references within this technical manual refer to page numbers.
- Steps are numbered and are to be performed in that order.
- Be sure to read all NOTES, WARNINGS, and CAUTIONS.
- Locator views are included wherever necessary. These will help you locate the item which the procedure is referencing.
- Jagged circle (⚡) on locator (A) indicates a cutout and means the item is inside the vehicle.
- A (∞) symbol represents the outside surface (B) of a piece of equipment that cannot be shown in its entirety.
- Callouts are shown by a circle with a letter inside.
- Locator arrows (C) are black, and mechanical motion arrows (D) are white.
- Broken leader arrow (—→) indicates the item is either inside or under the tank and cannot be seen.



TA106604

**HOW TO USE THIS MANUAL - Continued**

- An illustrated list of manufactured items includes complete instructions for making items authorized to be manufactured or fabricated and used at organizational maintenance.
- A maintenance information index lists all parts subject to maintenance tasks. It provides the location of all maintenance tasks related to a component in this manual.
- Certain sections of the manual have detailed “how to use” instructions at the beginning of the section - for example troubleshooting.
- As a general maintenance practice, throw away all removed lockwashers, locknuts, o-rings, preformed packings, and cotter pins, and replace with new lockwashers, locknuts, o-rings, preformed packing, and cotter pins at installation.





CHAPTER 10

ELECTRICAL SYSTEM MAINTENANCE

INDEX

Procedure	Page
Generator Air Intake Tube Assembly Replacement.....	10-3
Engine Generator Replacement.....	10-6
HEU Generator Replacement.....	10-12.2 ■
Generator Air Exhaust Pipe and Hose Replacement.....	10-14
Engine Generator Regulator Replacement.....	10-18
Engine Generator Regulator Mounting Bracket Replacement.....	10-20
HEU Engine Regulator Replacement.....	10-20.1 ■
Starter Replacement.....	10-21
Engine Fuel Injection Pump: Fuel Shutoff Lead Replacement.....	10-28
Master Control Panel Displacement.....	13-33
Master Control Panel Replacement.....	10-34
Master Control Panel Repair.....	10-38
Instrument Panel Cluster Assembly Replacement.....	10-111
Instrument Panel Cluster Assembly Repair.....	10-114
Instrument Panel Cluster Assembly Mounting Support and Cushion Replacement.....	10-137
Master Relay Assembly Replacement.....	10-138
Fire Extinguisher Relay and Master Relay Circuit Breaker Replacement.....	10-141
Interconnecting Box Assembly Replacement.....	10-143
Interconnecting Box Assembly Repair.....	10-144
High Voltage IR Power Supply and Shock Mount Assembly Replacement.....	10-152
Fire Extinguisher Solenoid Relay Replacement.....	10-158
Infrared Stowage Receptacle Assembly Replacement.....	10-160
Master Relay Mounting Plate and Bracket Replacement.....	10-161
Air Cleaner Motor Solenoid Relay Replacement.....	10-163
Fuel Shutoff and Personnel Heater Circuit Breakers Replacement.....	10-165
HEU Engine Accessory Relay Replacement.....	10-166.1 ■
Relay and Circuit Breaker Mounting Panel Replacement.....	10-167
Headlight Beam Selector Switch Assembly Replacement.....	10-169
Headlight Beam Selector Switch Assembly Mounting Bracket Replacement.....	10-171
Headlight Assembly (Left and Right) Replacement.....	10-172
Headlight Assembly Repair (Left and Right).....	10-173
Headlight Harness Base Assembly Replacement.....	10-181
Headlight Guard Replacement.....	10-185
Headlight Base Assembly Shell Replacement.....	10-186
Headlight Stowage Lamp holder Replacement.....	10-187
Headlight Stowage Lampholder Repair.....	10-188
Powerplant Warning Light Repair.....	10-189
Domelight Assembly Replacement.....	10-191
Domelight Assembly Repair.....	10-193
Domelight Resistor Assembly Replacement.....	10-201
Domelight Resistor Assembly Bracket Replacement.....	10-203
Left Taillight - Stoplight Assembly Replacement.....	10-204
Left Taillight - Stoplight Assembly Repair.....	10-207
Right Taillight - Stoplight Assembly Replacement.....	10-210
Right Taillight - Stoplight Assembly Repair.....	10-213
Taillight Grommet Replacement.....	10-216
Headlight Adjustment.....	10-217
Engine Oil High Temperature Thermostatic Switch Replacement.....	10-219
Engine High Oil Pressure Transmitter Replacement.....	10-221
Engine Oil Temperature Transmitter Replacement.....	10-224

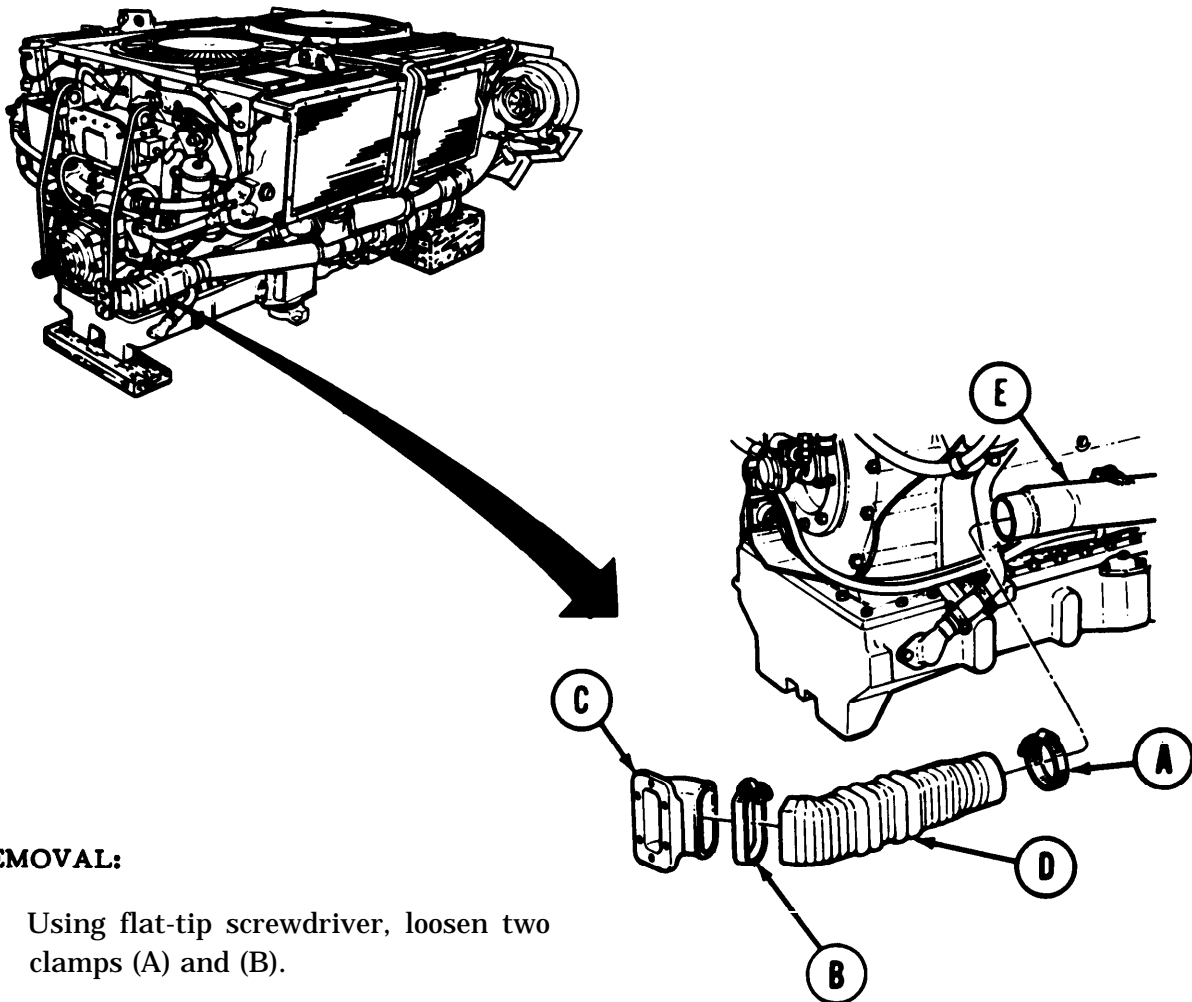
<b>Procedure</b>	<b>Page</b>
Starter Low Voltage Relay Solenoid Replacement .....	10-227
Transmission Oil Temperature Transmitter Protector Replacement .....	10-229
Transmission Oil Pressure Transmitter Replacement .....	10-231
Transmission Oil Temperature Transmitter Replacement .....	10-234
Neutral Shift Switch Assembly Replacement .....	10-236
Transmission Oil High Temperature Switch Replacement .....	10-238
Transmission Oil Pressure Transmitter Guard Plate Replacement .....	10-240
Engine Oil Low Pressure Switch Replacement .....	10-242
Battery Jumper Cable Assembly Replacement .....	10-245
Battery Terminal Lug Replacement .....	10-251
Battery and Battery Cover Replacement .....	10-253
Battery Testing .....	10-258
Battery Ground Strap Replacement .....	10-263
Disconnect Battery Ground Straps .....	10-268
HEU Slave Receptacle Cover Replacement .....	10-268.1
HEU Slave Receptacle Ground Strap Replacement .....	10-268.2
HEU Slave Receptacle Replacement .....	10-268.3
Bulkhead Cable Disconnect .....	10-269
Right Side Engine Disconnect Ground Lead Assembly Replacement .....	10-271
Receptacle Mounting Plate and Gasket Replacement .....	10-272
Engine Starter Wiring Harness Replacement .....	10-274
Transmission Wiring Harness Replacement .....	10-281
Interconnecting Box Cable Assembly Replacement .....	10-285
Engine Wiring Harness Replacement .....	10-286
Starter Feed Wiring Harness Replacement .....	10-296.2
Engine Disconnect Wiring Harness Replacement .....	10-296.7
Power Relay Cable Assembly Replacement .....	10-296.13
Rear Accessory Wiring Replacement .....	10-296.18
Basket/Control Panel Power Harness Replacement .....	10-296.25
Basket/Control Panel Starting Harness Replacement .....	10-296.29
Basket/Control Panel Accessories Harness Replacement .....	10-296.34
Basket/Light Switch Harness Replacement .....	10-296.39
Basket/Control Panel Heater Harness Replacement .....	10-296.48
Heater/Basket Harness Replacement .....	10-296.52
Basket/Gage Indicator Panel Harness Replacement .....	10-296.57
Infrared Periscope Cable Replacement .....	10-296.63
Basket Wiring Harness Disconnect .....	10-296.69
Power/Master Control Panel Harness Replacement .....	10-296.73
HEU Main Power Wiring Harness .....	10-296.81
Front Accessory Harness Replacement .....	10-296.88
HEU Front Harness Replacement .....	10-296.102
Engine Wiring Harness (Dust Detector) Replacement .....	10-298
Dust Detector Hull Intermediate Lead Assembly Replacement .....	10-298.8
Dust Detector Warning Light Harness Assembly Replacement .....	10-298.12
Dust Detector Warning Light Box Assembly and Mounting Bracket Replacement .....	10-298.14
Dust Detector Operational Test .....	10-298.17
Electrical Wiring Harness and Cable Connector Repair .....	10-298.20
Fuel Tank Capacitor and Housing Assembly Replacement (Right) .....	10-316
Fuel Tank Capacitor and Housing Assembly Replacement (Left) .....	10-321
Fuel Tank Capacitor and Housing Assembly Repair .....	10-326

**GENERATOR AIR INTAKE TUBE ASSEMBLY REPLACEMENT (Sheet 1 of 3)**

**TOOLS:** 1/2in. socket with 1/2in. drive  
 Ratchet with 1/2in. drive  
 Flat-tip screwdriver

**SUPPLIES:** Rags (Item 65, Appendix D)  
 Dry cleaning solvent (Item 55, Appendix D)  
 Alcohol (Item 8, Appendix D)

**PRELIMINARY PROCEDURE** Remove powerplant (page 5-2 )

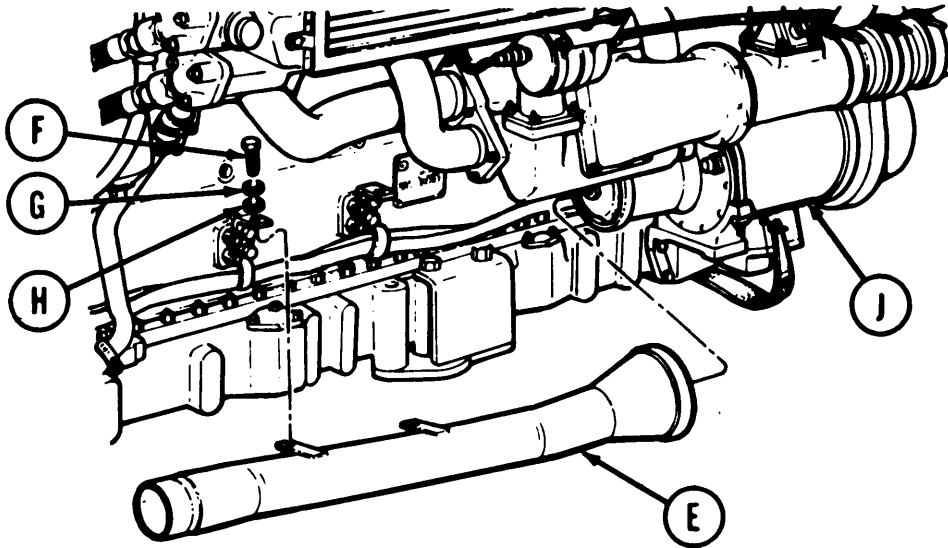
**REMOVAL:**

1. Using flat-tip screwdriver, loosen two clamps (A) and (B).
2. Remove elbow (C), hose (D), and clamps (A) and (B) from tube (E).

Go on to Sheet 2

TA168654

GENERATOR AIR INTAKE TUBE ASSEMBLY REPLACEMENT (Sheet 2 of 3)



3. Using socket, remove two bolts (F), lockwashers (G), and flat washers (H).
4. Remove tube (E) from generator (J).

**WARNING**

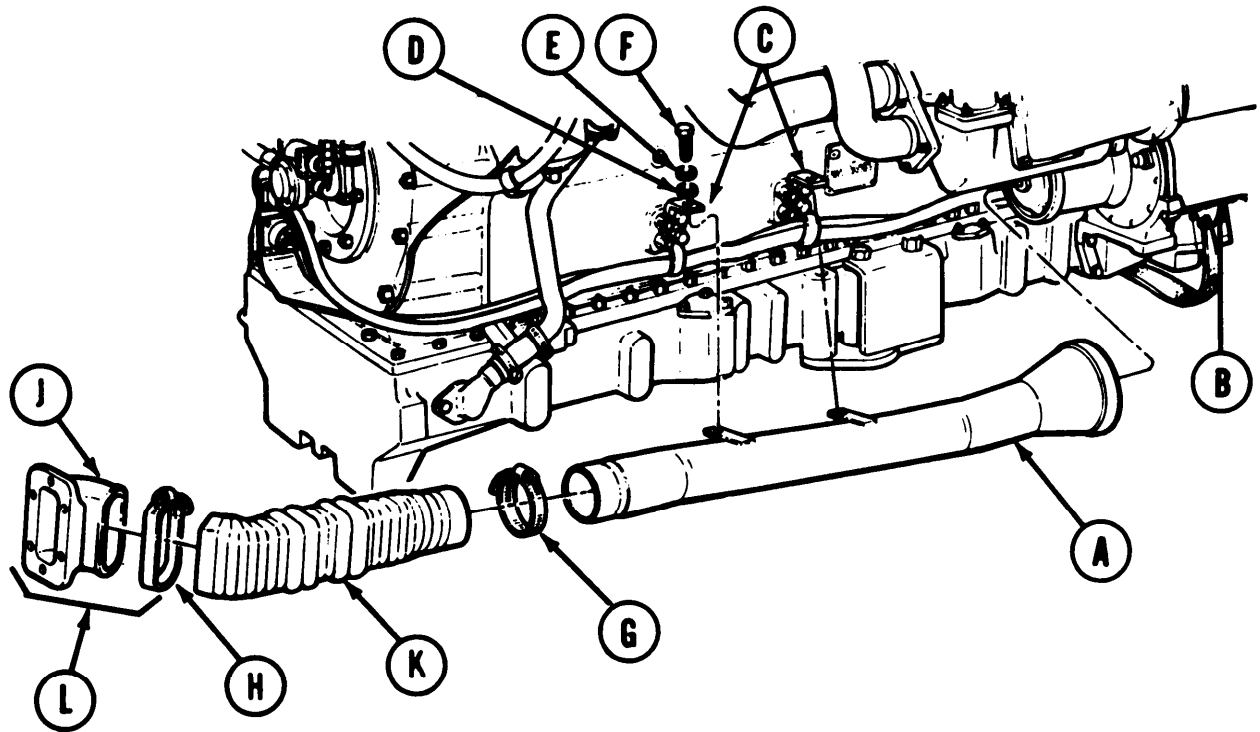
Cleaning agent specified is flammable. Use only in well ventilated areas. Keep away from flame, sparks, or heat. Do not smoke while using. Prevent contact with eyes, mouth, and/or skin. Wear rubber gloves when performing cleaning procedures.

1. Using alcohol and rags clean hose. Inspect for cracks and breaks.
2. Using dry cleaning solvent, clean tube and mounting hardware.
3. Using rags, wipe tube and mounting hardware. Inspect for bends, breaks, and cracks. Replace parts as required if defective.

Go on to Sheet 3

TA168655

## GENERATOR AIR INTAKE TUBE ASSEMBLY REPLACEMENT (Sheet 3 of 3)



## INSTALLATION:

1. Install tube (A) to generator (B) and angle brackets (C) on engine.
2. Install two flat washers (D), new lockwashers (E), and bolts (F) to brackets (C).
3. Using socket, tighten bolts (F) to tube (A).
4. Install clamp (G) to tube (A).
5. Install clamp (H) to elbow (J).
6. Install hose (K) to tube (A).
7. Install assembled elbow (L) to hose (K).
8. Move clamps (G) and (H) onto hose (K).
9. Using flat-tip screwdriver, tighten clamps (G) and (H).
10. Install powerplant (page 5-14).

End of Task

TA168656

ENGINE GENERATOR REPLACEMENT (Sheet 1 of 8)

PROCEDURE INDEX

PROCEDURE	PAGE
Removal	10-6
Installation	10-10

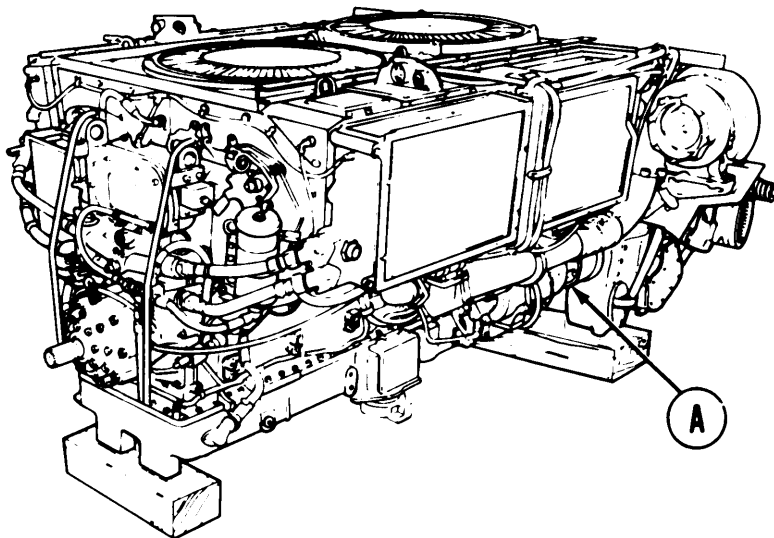
TOOLS: Spanner wrench  
 9/16 in. socket with 1/2 in drive  
 Pliers, slip joint  
 Ratchet with 1/2 in. drive  
 1/2 in. combination box and open end wrench  
 Flat-tip screwdriver  
 3/8 in. socket with 1/2 in. drive  
 1/2 in. socket with 1/2 in. drive  
 Diagonal cutting pliers  
 9/16 in. combination box and open end wrench

SPECIAL TOOLS: Ground hop kit (Item 30, Chapter 3, Section I)  
 Box wrench (10935476) (Item 4, Chapter 3, Section I)

SUPPLIES: Silicone compound (Item 32, Appendix D)  
 Two wooden blocks  
 Lockwire (Item 61, Appendix D)

PERSONNEL: Two

PRELIMINARY PROCEDURE: Remove powerplant (page 5-2)  
 Remove air intake tube assembly (page 10-3)

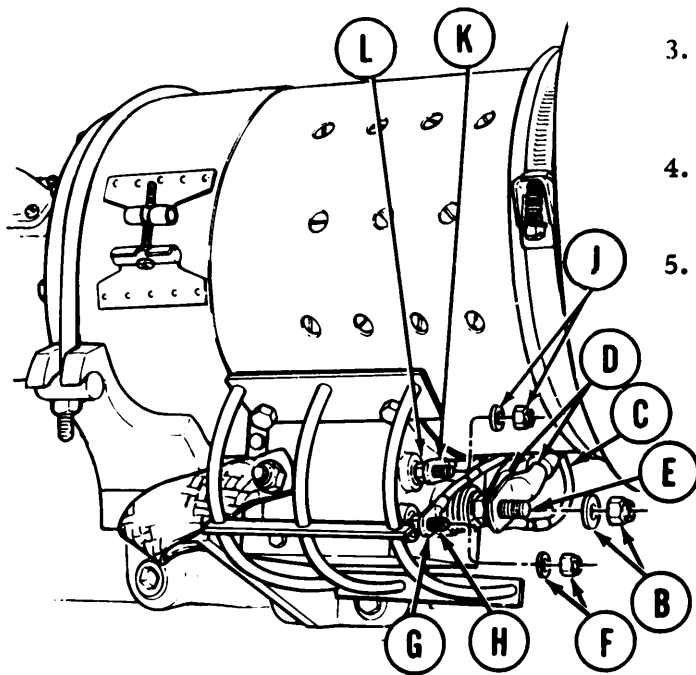


REMOVAL:

1. Place two wooden blocks under generator (A).

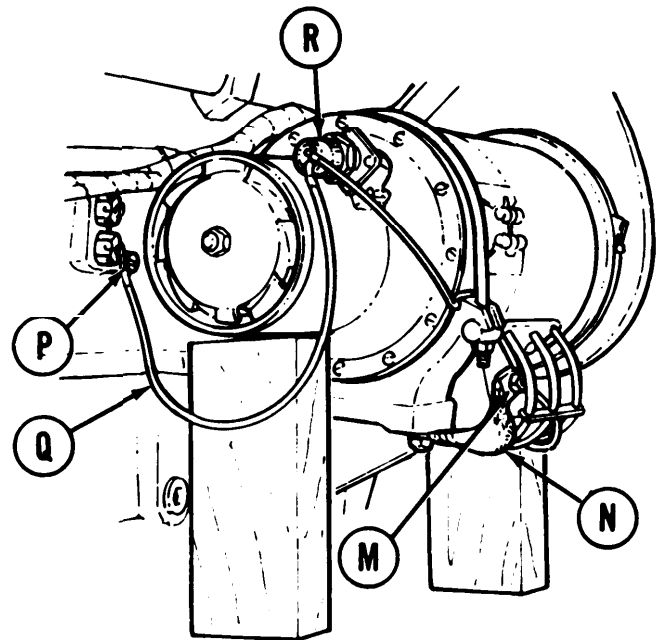
Go on to Sheet 2

**ENGINE GENERATOR REPLACEMENT (Sheet 2 of 8)**



2. Using 9/16 inch socket, remove nut and flat washer (B).
3. Disconnect cable (C) and two electrical leads (D) from terminal marked "B" (E).
4. Using 3/8 inch socket, remove nut and flat washer (F).
5. Disconnect electrical lead (G) from terminal marked "D" (CKT 478) (H).

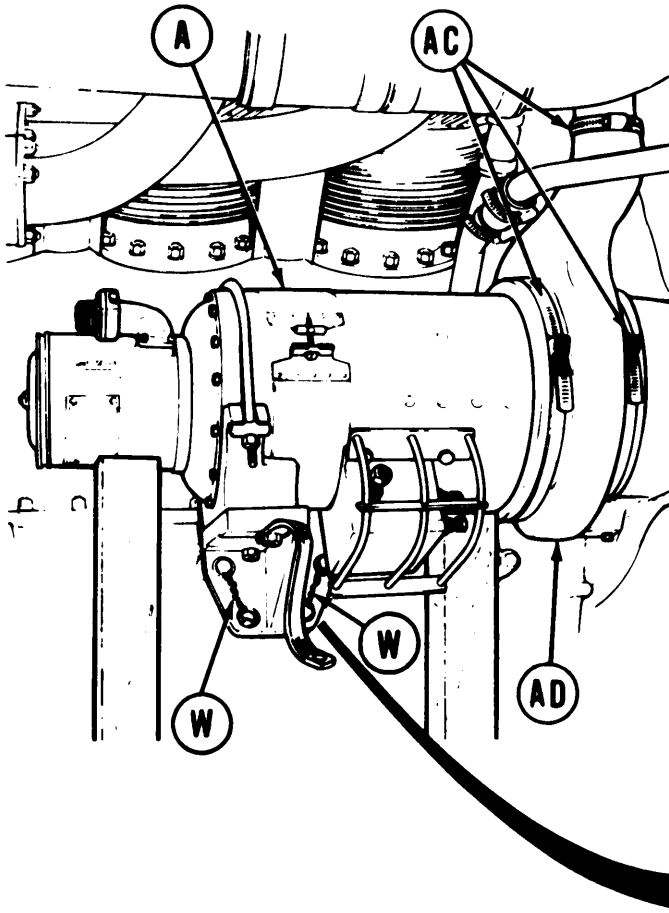
6. Using 3/8 inch socket, remove nut and flat washer (J).
7. Disconnect electrical lead (K) from terminal marked "A", (CKT 1) (L).
8. Using 9/16 inch socket, remove nut and flat washer (M).
9. Disconnect ground lead (N).
10. Using 1/2 inch socket, remove screw and lockwasher (P).
11. Disconnect electrical lead (Q).
12. Using spanner wrench, remove electrical connector (R).



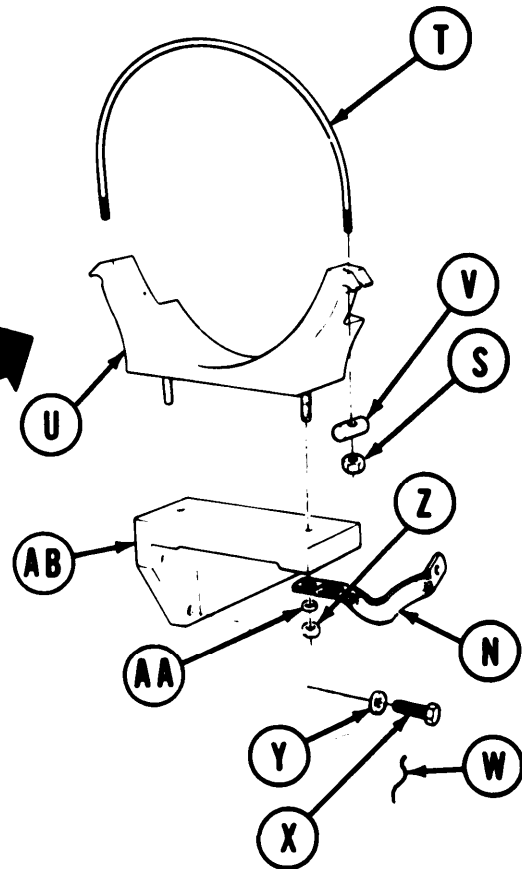
Go on to Sheet 3

TA168658

ENGINE GENERATOR REPLACEMENT (Sheet 3 of 8)



13. Using 1/2 inch wrench, loosen two nuts (S) which hold U-bolt (T) to cradle (U) until clamping bars (V) are free.
14. Using diagonal cutting pliers, cut lockwire (W).
15. Using 9/16 inch socket or 9/16 inch wrench remove four screws (X) and flat washers (Y).



16. using 9/16 inch socket, remove two nuts (Z) and flat washers (AA).
17. Remove ground lead (N).
18. Remove bracket (AB), cradle (U), and U-bolt (T) as one whole assembly from generator (A).
19. Using screwdriver, loosen three boot clamps (AC).

CAUTION

Boot (AD) is easily damaged. Be careful to prevent ripping or puncturing boot (AD).

20. Slide boot clamps (AC) and boot (AD) over generator (A) to gain access for removal of mounting nuts.

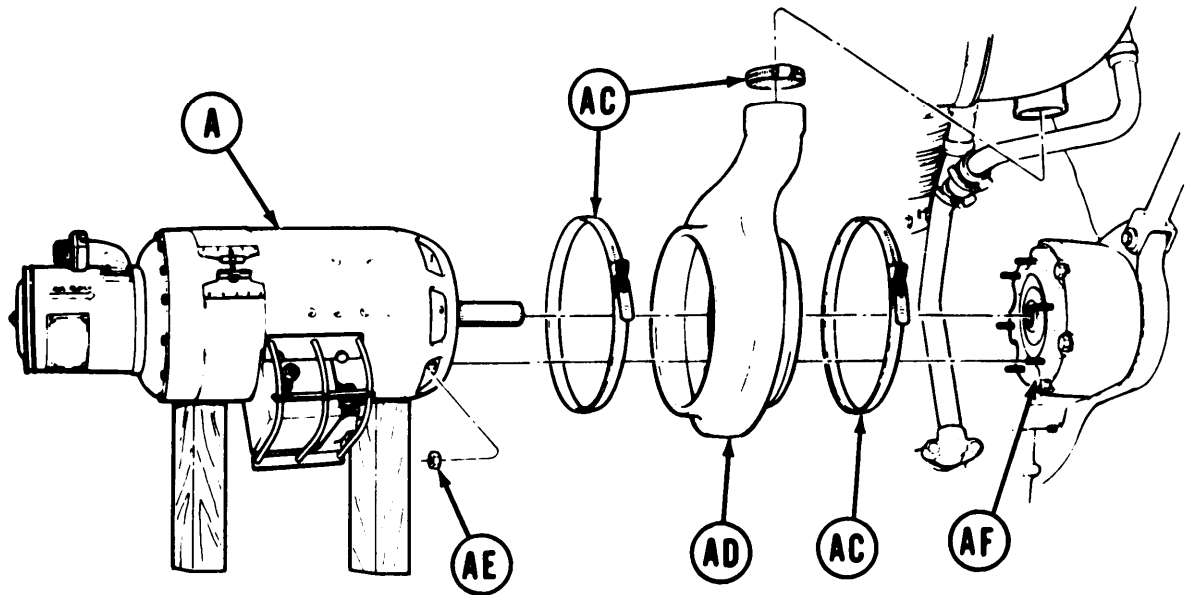
Go on to Sheet 4

TA168659



**ENGINE GENERATOR REPLACEMENT (Sheet 4 of 8)**

21. Using special box wrench, loosen six nuts (AE). Do not remove nuts (AE) from drive adapter (AF).



22. Using two technicians, rotate generator (A) counterclockwise until openings in flange are alined with nuts (A E).

**WARNING**

Generator (A) weighs approximately 100 pounds. Injury to personnel or damage to equipment could result through careless handling.

23. Using two technicians, remove generator (A) by sliding it away from drive adapter (AF).
24. Remove boot clamps (AC) and boot (AD) from generator (A).
25. Using special box wrench, remove six nuts (AE).

Go on to Sheet 5

TA168660

ENGINE GENERATOR REPLACEMENT (Sheet 5 of 8)

INSTALLATION:

1. Make sure wooden blocks are positioned under right manifold heater.

**WARNING**

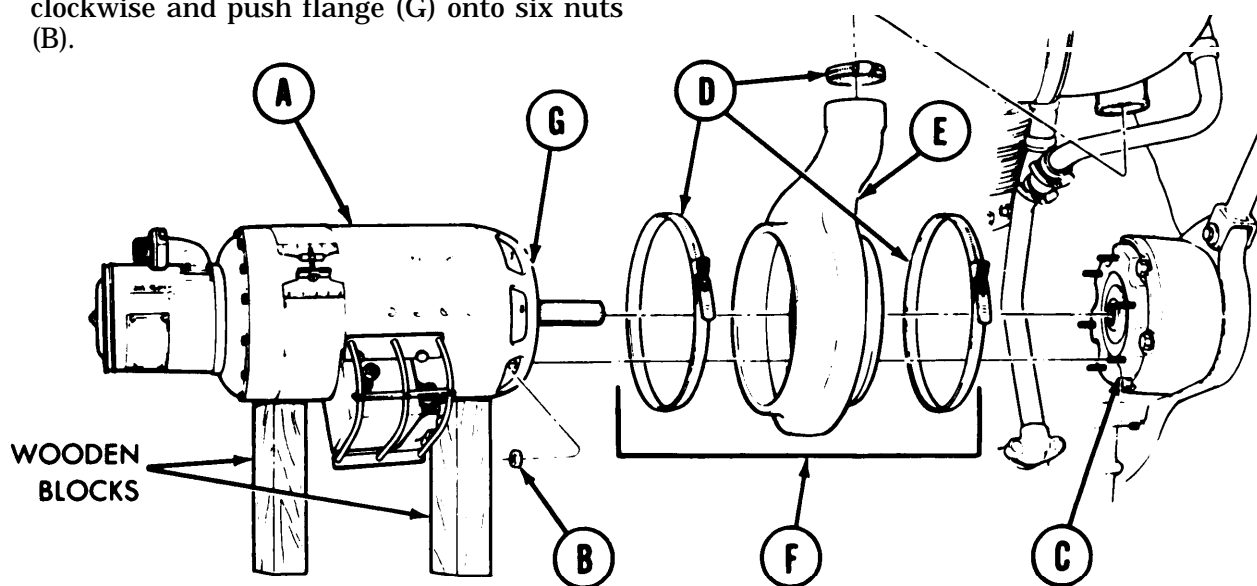
**Generator (A) weighs approximately 100 pounds. Injury to personnel or damage to equipment could result through careless handling.**

2. Using two technicians, place generator (A) on wood blocks.
3. Install six nuts (B) to drive adapter (C). Do not tighten nuts (B).
4. Install three boot clamps (D) to boot (E).

**NOTE**

**Apply silicone compound to the inside of the generator boot sealing surfaces before installation.**

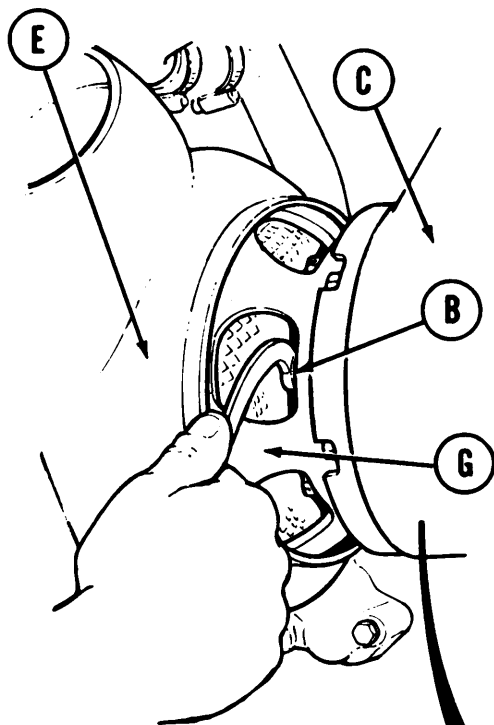
5. Install assembled boot (F) to generator (A).
6. Using two technicians? aline generator flange (G) to six nuts (B). Rotate generator (A) clockwise and push flange (G) onto six nuts (B).



Go on to Sheet 6

T A 1 6 8 6 6 1

ENGINE GENERATOR REPLACEMENT (Sheet 6 of 8)



7. Using special box wrench, tighten six nuts (B).

**CAUTION**

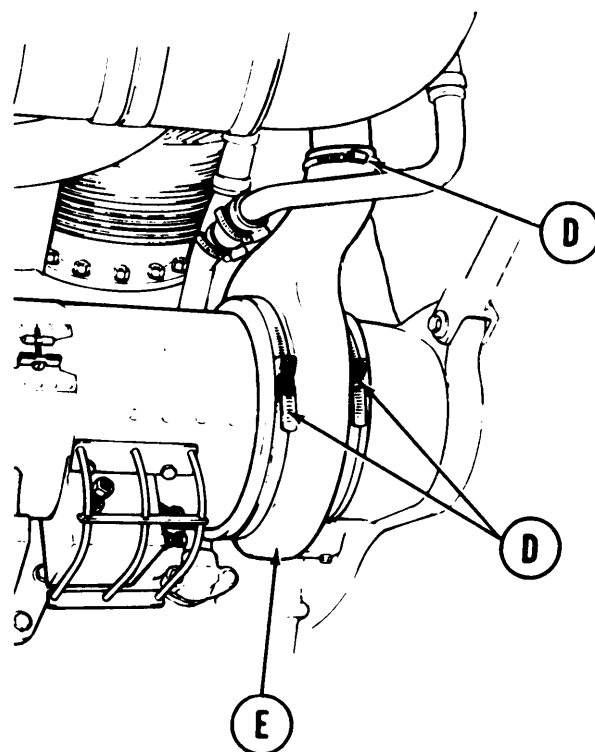
**Exercise care to prevent damage to boot (E).**

8. Position boot (E) onto drive adapter (C)
9. Position three boot clamps (D) Over boot (E).

10. Using screwdriver, tighten three boot clamps (D).

**CAUTION**

**It is of utmost importance that the generator support, cradle, and "U" bolt be installed in a manner that will not disturb generator mounting alignment and still furnish adequate support to minimize vibration. Misalignment of 0.010 in. in any direction is sufficient to cause a leak (pressure loss) between the generator mounting flange and the generator mounting adapter.**

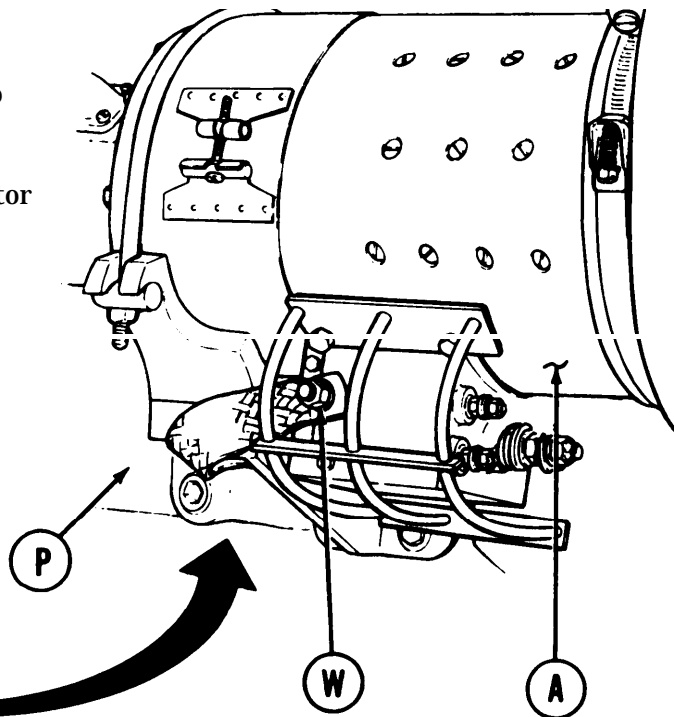
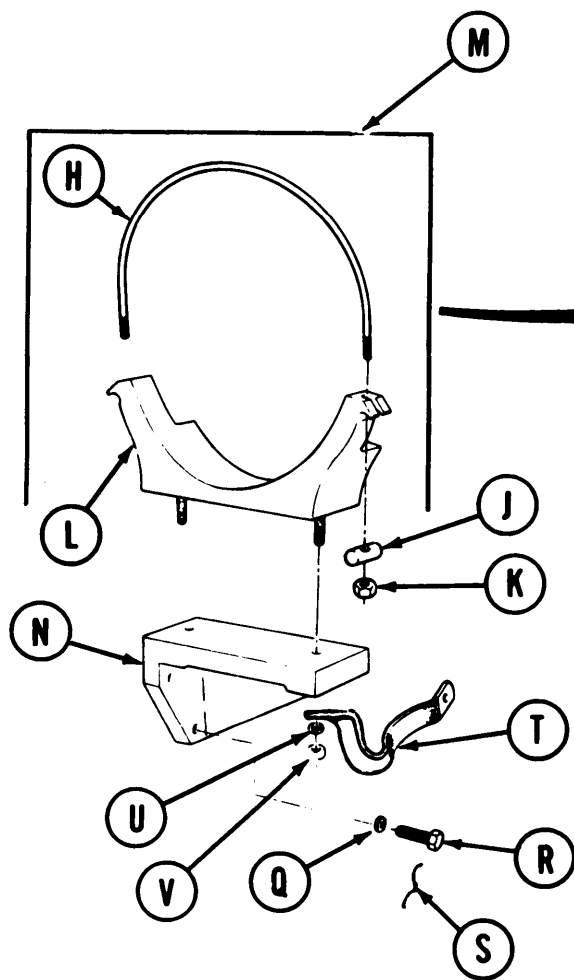


Go on to Sheet 7

TA168662

ENGINE GENERATOR REPLACEMENT (Sheet 7 of 8)

11. Assemble U-bolt (H), two bars (J), and two nuts (K) to cradle (L).
12. Mount assembled cradle (M) under generator (A).
13. Install bracket (N) to oil pan (P) and assembled cradle (M).



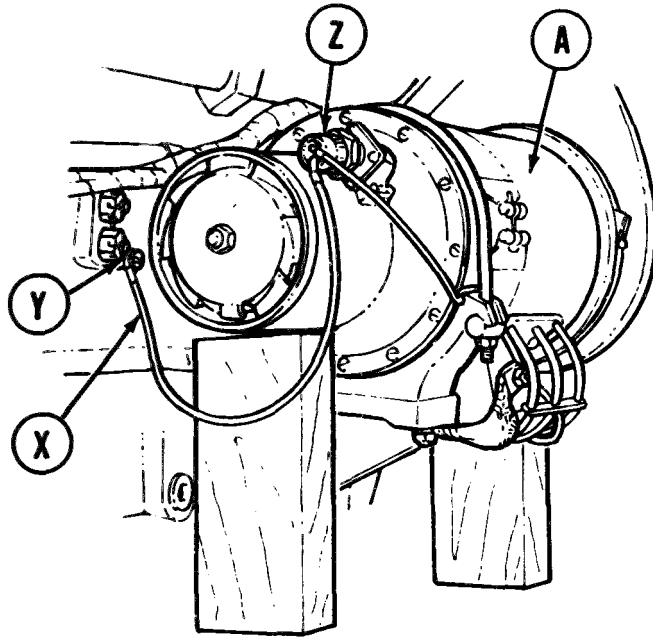
14. Using 9/16 inch socket or wrench, install four flat washers (Q) and screws (R) to bracket (N).
15. Using pliers, install new lockwire (S) to screws (R).
16. Using 9/16 inch socket, install ground lead (T), two flat washers (U), and nuts (V).

17. Using 1/2 inch wrench, tighten nuts (V).
18. Using 9/16 inch socket, install ground lead (T), and flat washer (U) and nut (W) ,to generator (A).

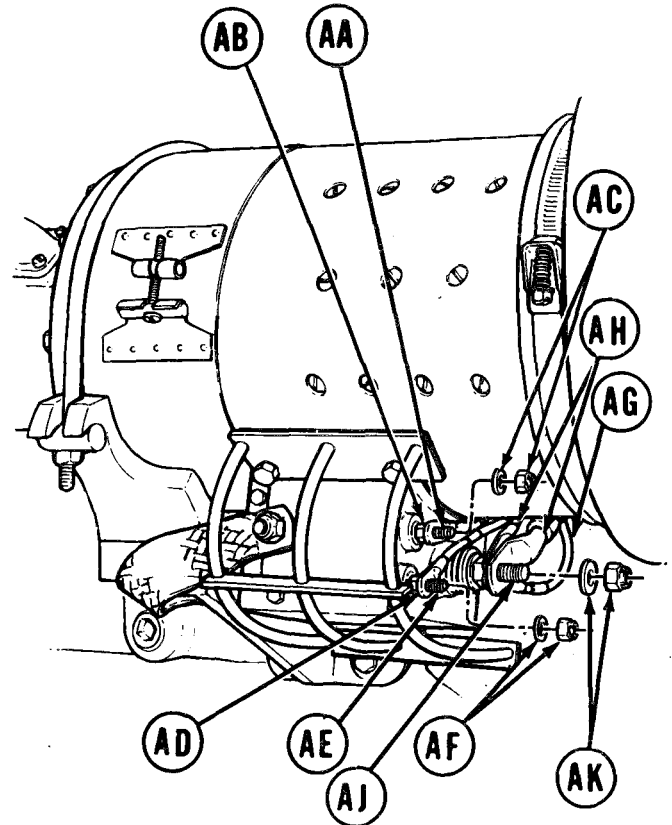
Go on to Sheet 8

TA168663

ENGINE GENERATOR REPLACEMENT (Sheet 8 of 8)



19. Using 1/2 inch socket, install electrical lead (X) and screw and new lockwasher (Y).
20. Using spanner wrench, install electrical connector (Z).



21. Install electrical lead (CKT 1) (AA) to terminal marked "A" (AB).
22. Using 3/8 inch socket, install flat washer and nut (AC).
23. Install electrical lead (CKT 478) (AD) to terminal marked "D" (AE).
24. Using 3/8 inch socket, install flat washer and nut (AF).
25. Install cable (AG) and two electrical leads (AH) to terminal marked "B" (AJ).
26. Using 9/16 inch socket, install flat washer and nut (AK).
27. Remove two wooden blocks from under generator (A).
28. Install air intake tube assembly (page 10-5).
29. Using ground hop kit, perform powerplant test run (page 5-26).
30. Install powerplant (page 5-14).

End of Task

TA248954

**ENGINE GENERATOR REPLACEMENT (Sheet 1 of 2) (650 AMP GENERATOR)**

PROCEDURE INDEX

PROCEDURE	PAGE
Removal	10-12.2
Installation	10-13

TOOLS: 1/2-inch open and closed end wrench  
 3/4-inch open and closed end wrench  
 9/16-inch open and closed end wrench  
 13/16-inch open and closed end wrench  
 15/16-inch open and closed end wrench  
 12-inch adjustable wrench  
 Pliers, slip joint

SPECIAL TOOLS: Ground hop kit (Item 31, Chapter 3, Section I)  
 Box wrench (Item 4, Chapter 3, Section I)

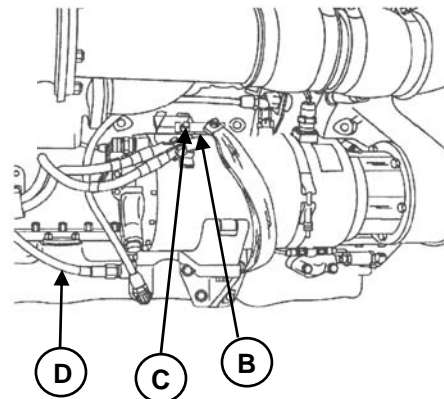
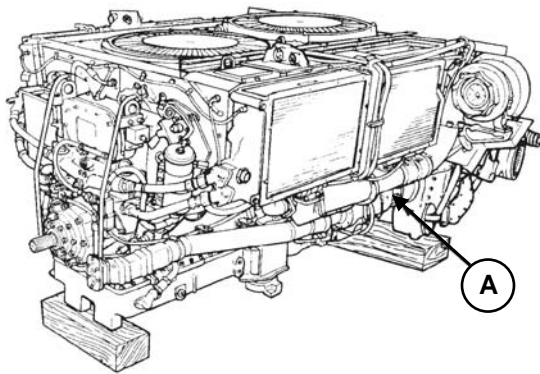
SUPPLIES: Silicone compound (Item 32, Appendix D)  
 Two wooden blocks  
 Lockwashers  
 Drain pan  
 Preformed packing  
 Locknuts  
 Rags (Item 65, Appendix D)

PERSONNEL: Two

PRELIMINARY PROCEDURE: Remove powerplant (page 5-2)

**WARNING**

Generator weighs approximately 125 pounds. Injury to personnel or damage to equipment could result through careless handling.

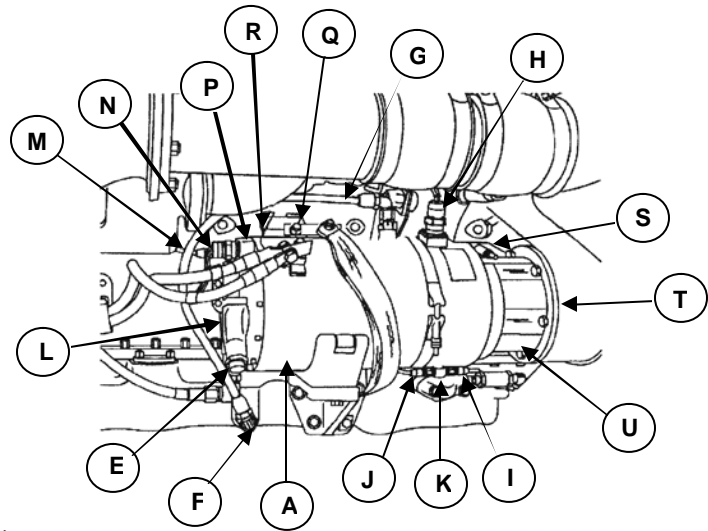


**REMOVAL:**

1. Place two wooden blocks under generator (A).
2. Using 3/4-inch wrench remove electrical leads (B, C).
3. Using 15/16-inch wrench remove oil inlet hose (D) and drain oil into suitable drain pan.

**ENGINE GENERATOR REPLACEMENT (Sheet 2 of 2) (650 AMP GENERATOR)**

4. Using 12-inch adjustable wrench, loosen locking nut (E) and remove oil inlet elbow (F). Remove and discard preformed packing.
5. Using 15/16-inch wrench, remove oil return hose (G).
6. Using 12-inch adjustable wrench, remove oil return hose union (H), remove and discard preformed packing.
7. Using 13/16-inch wrench, disconnect generator rear oil drain tube (I) and front oil drain tube (J). Drain oil into suitable container.
8. Using 12-inch adjustable wrench, remove oil drain tee fitting (K) from generator.
9. Using 12-inch adjustable wrench, remove oil drain tube elbow and nipple (L).
10. Using 9/16-inch wrench, remove vent hose (M), vent hose adapter (N) and vent restrictor (P).
11. Disconnect wiring harness electrical leads (Q, R).
12. Using 1/2-inch wrench, remove V-band clamp nut (S) and V-band clamp (T).
13. Remove generator (A).

**INSTALLATION:**

1. Using a 12-inch adjustable wrench, install oil inlet elbow (F) into generator (A) using new preformed packing tighten locking nut (E).
2. Using 15/16-inch wrench, install oil return hose union (H) into generator (A) using new preformed packing.
3. Using 12-inch adjustable wrench, install oil drain tee (K), drain tube elbow and nipple (L) into generator (A).
4. Using 9/16-inch wrench, install vent restrictor (P) and vent hose adapter (N) into generator (A).
5. Install generator (A) into generator adapter (U).
6. Install V-bank clamp (T) around generator (A) and generator adapter (U), using a 1/2-inch wrench install V-bank clamp nut (S).
7. Using 9/16-inch wrench, connect vent hose (M) to vent hose adapter (N) and vent restrictor (P).
8. Using 13/16-inch wrench, connect rear oil drain tube (I) and front oil drain tube (J) to oil drain tee (K).
9. Using 15/16-inch wrench, connect oil return hose (G) to oil return hose union (H), and oil inlet hose (D) to oil inlet elbow (F).
10. Connect wiring harness electrical leads (Q, R).
11. Using 3/4-inch wrench, connect electrical leads (B, C) to generator (A).
12. Install powerplant (page 5-2).

## GENERATOR AIR EXHAUST PIPE AND HOSE REPLACEMENT (Sheet 1 of 4)

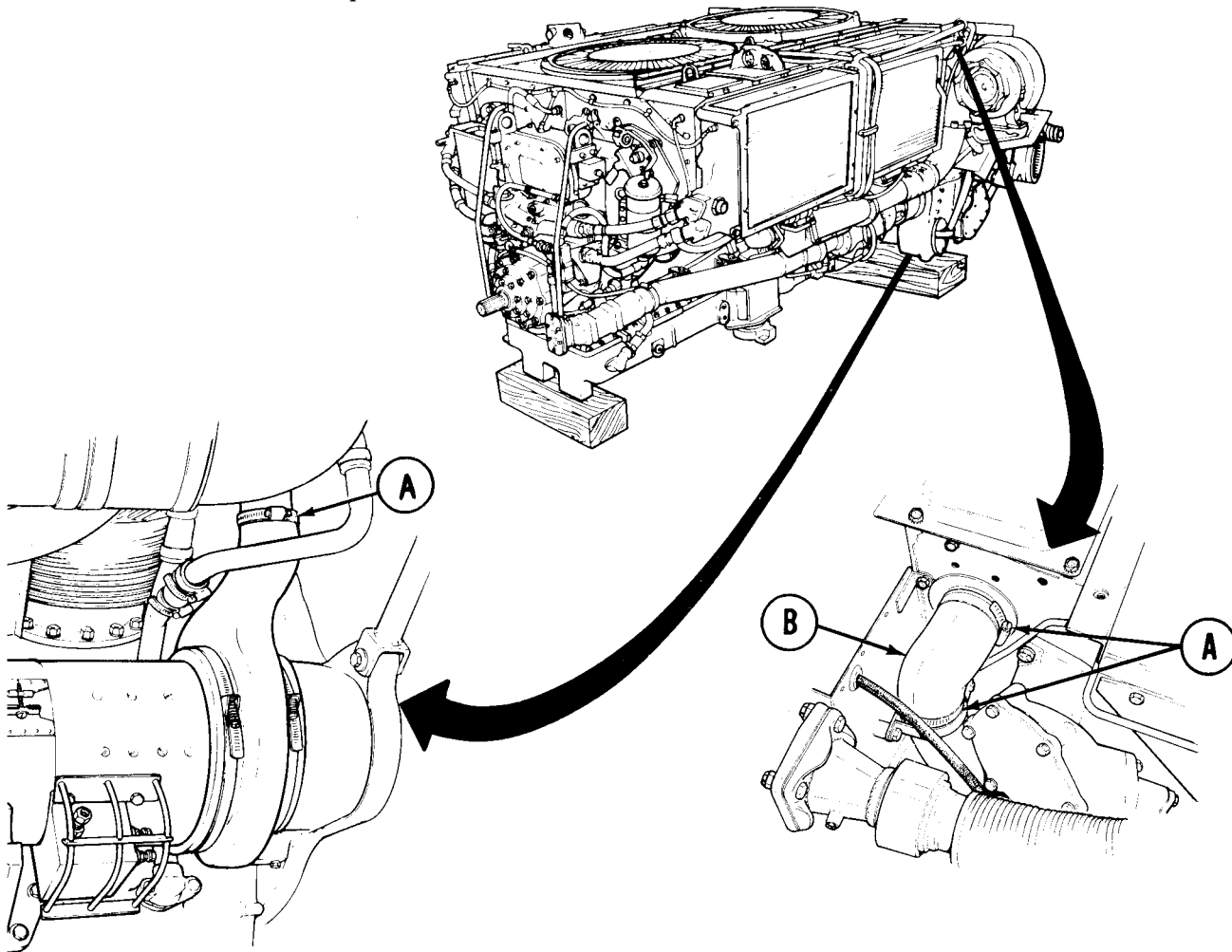
**TOOLS:** 1/2 in. socket with 1/2 in. drive  
9/16 in. socket with 1/2 in. drive  
Ratchet with 1/2 in. drive  
Flat-tip screwdriver  
9/16 in. combination box and open end wrench

**SUPPLIES:** Dry cleaning solvent (Item 55, Appendix D)      Lockwashers (4 required)  
Alcohol (Item 8, Appendix D)      Gloves (Item 69, Appendix D)  
Rags (Item 65, Appendix D)      Goggles (Item 70, Appendix D)  
Silicone compound (Item 32, Appendix D)

**PRELIMINARY PROCEDURE:** Remove powerplant (page 5-2)

### REMOVAL:

1. Using screwdriver, loosen three clamps (A), and remove clamps and hose (B).



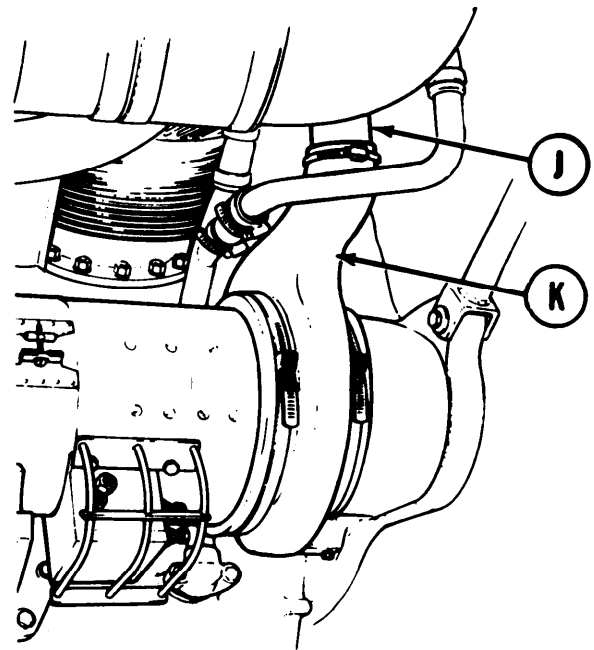
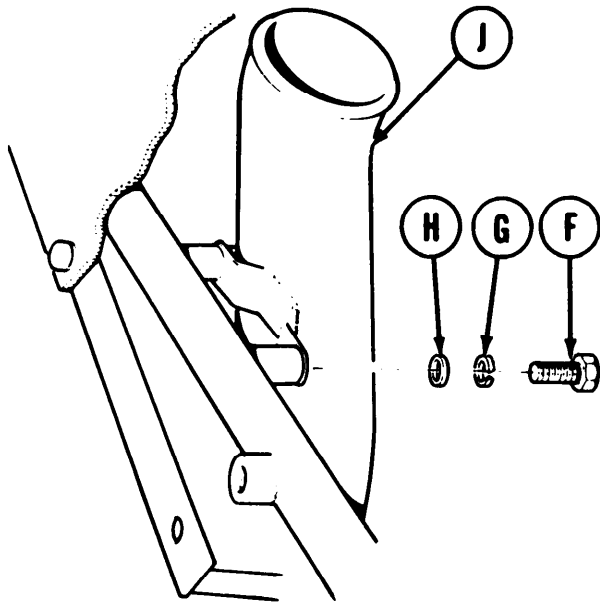
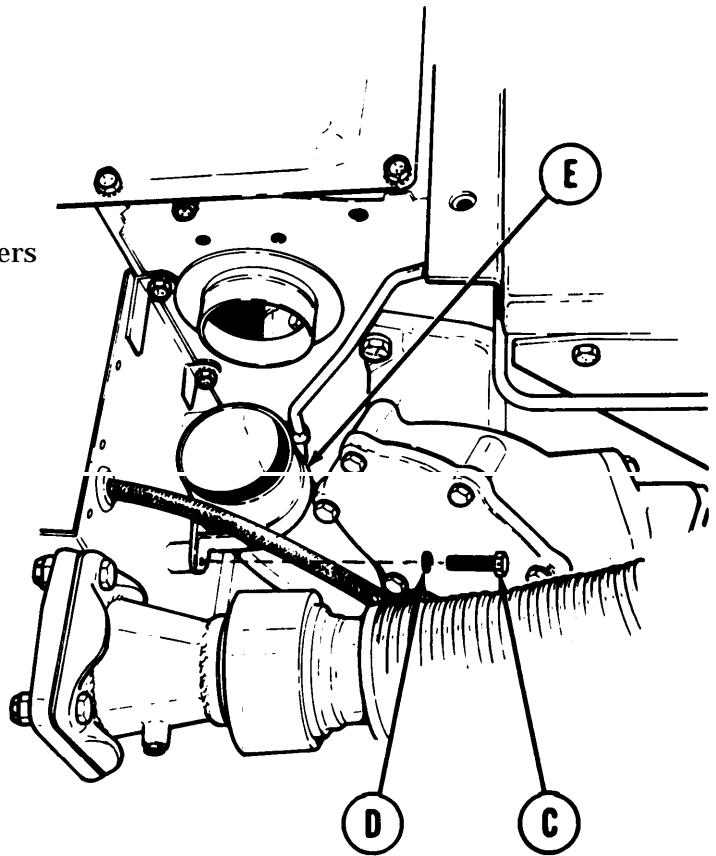
Go on to Sheet 2

TA248955



**GENERATOR AIR EXHAUST PIPE AND HOSE REPLACEMENT (Sheet 2 of 4)**

2. Using 1/2 inch socket, remove two screws (C), lockwashers (D), and clamp (E).
3. Using 9/16 inch socket or 9/16 inch wrench remove two screws (F), lockwashers (G), and flat washers (H).
4. Remove pipe (J) from boot (K).
5. Remove pipe (J) from engine.



Go on to Sheet 3

TA168666

## GENERATOR AIR EXHAUSTPIPE AND HOSE REPLACEMENT (3 of 4)

### CLEANING AND INSPECTION:

#### WARNING

Cleaning agent specified is flare mable. Use only in well ventilated areas. Keep away from flames, sparks, or heat. Do not smoke while using. Prevent contact with eyes, mouth, and/or skin. Wear rubber gloves when performing cleaning procedures.

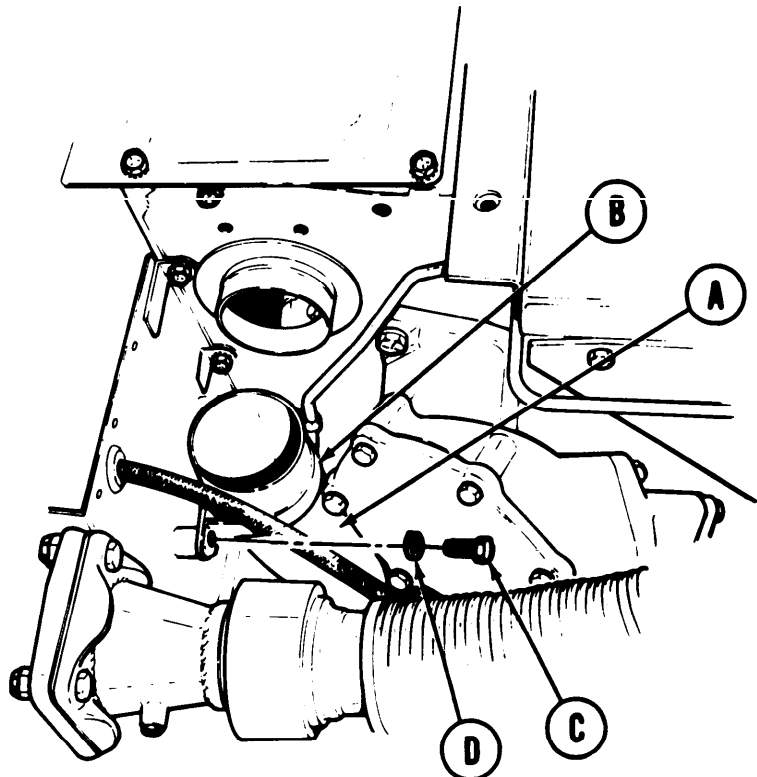
1. Using alcohol and rags clean hose. spect for cracks and breaks. If hose is damage replace hose.
2. Using dry cleaning solvent, clean all removed parts.
3. Using rags, wipe all removed parts dry.
4. Inspect mounting hardware and pipe for damage. Replace parts as required, if defective or missing.

### INSTALLATION:

#### NOTE

**Apply silicone compound to the inside of the generator boot sealing surfaces before installation.**

1. Position pipe (A) through engine shroud.
2. Assemble clamp (B) to pipe (A),.
3. Using 1/2-inch socket, install two screws (C), lockwashers (D), and clamp (B) to pipe (A).

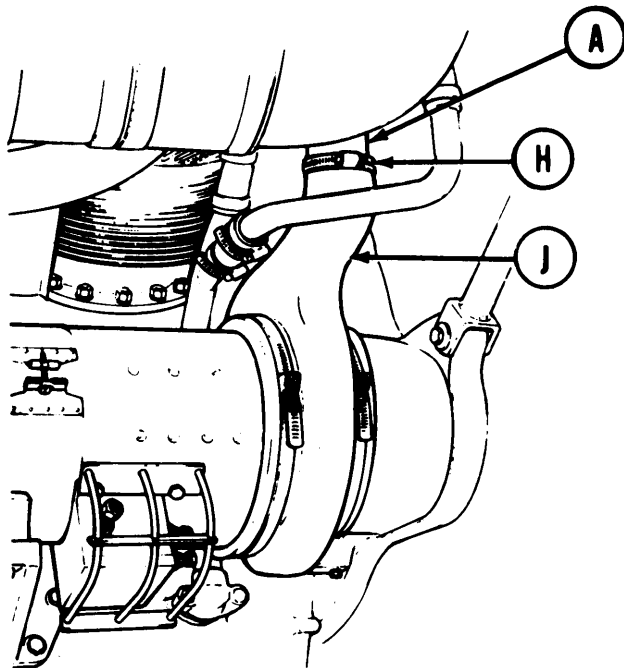
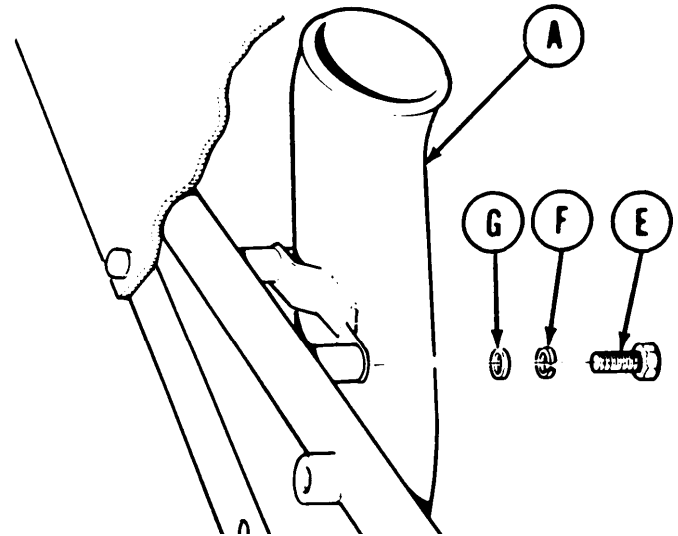


Go on to Sheet 4

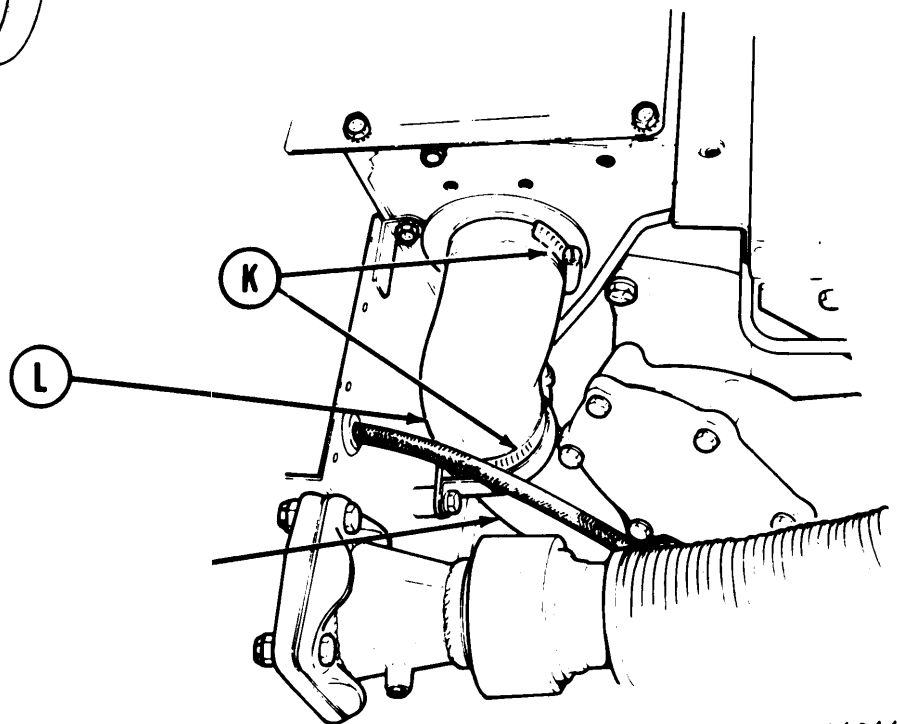
TA168667

**GENERATOR AIR EXHAUST PIPE AND HOSE REPLACEMENT (Sheet 4 of 4)**

4. Using 9/16 inch socket or 9/16 inch wrench, install two screws (E), lockwashers (F), and flat washers (G).
5. Position clamp (H) on boot (J).
6. Install pipe (A) into boot (J).
7. Using screwdriver, tighten clamp (H).



8. Install two clamps (K) on hose (L).
9. Install hose (L) on engine and pipe (A).
10. Position clamps (K) on hose (L) and using screwdriver, tighten clamps (K).
11. Install powerplant (page 5-14).



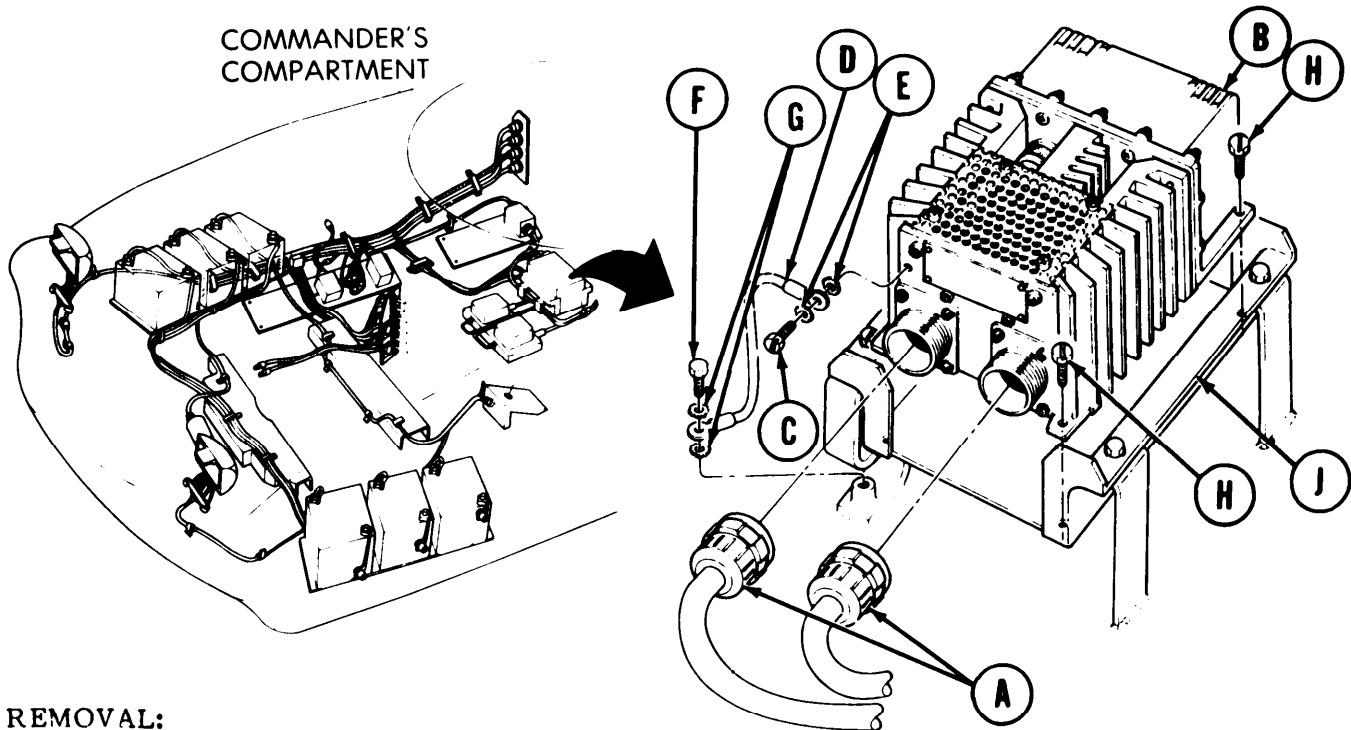
End of Task

TA168668

ENGINE GENERATOR REGULATOR REPLACEMENT (Sheet 1 of 2)

TOOLS: Spanner wrench  
7/16 in. socket with 1/2 in. drive  
Flat-tip screwdriver  
Ratchet with 1/2 in. drive  
5in. extension with 1/2 in. drive

PRELIMINARY PROCEDURE: Remove access cover from floor in commander's compartment (page 17-9)



REMOVAL:

1. Using spanner wrench, remove two electrical connectors (A) from engine generator regulator (B).
2. Using screwdriver, remove screw (C) securing ground (D) to engine generator regulator (B).
3. Remove ground (D) and lockwasher (E) from engine generator regulator (B).
4. Using socket, remove screw (F) and two lockwashers (G) securing ground (D) to hull.
5. Using screwdriver, loosen four screws (H) securing engine generator regulator (B) to mounting bracket (J).
6. Remove engine generator regulator (B) from vehicle.

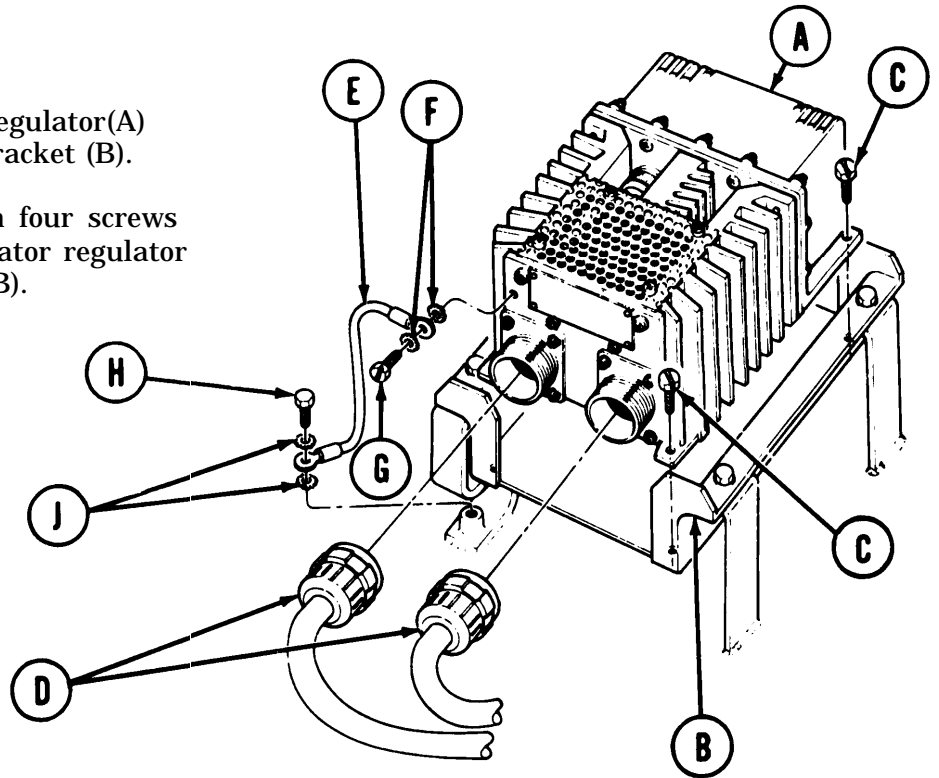
Go on to Sheet 2

TA168669

## ENGINE GENERATOR REGULATOR REPLACEMENT (Sheet 2 of 2)

## INSTALLATION:

1. Place engine generator regulator(A) in position on mounting bracket (B).
2. Using screwdriver, tighten four screws (C) securing engine generator regulator (A) to mounting bracket (B).



3. Using spanner wrench, connect two electrical connectors(D) to engine generator regulator (A).
4. Place ground(E) and new lockwashers (F) in position on engine generator regulator (A).
5. Using screwdriver, tighten screw (G) securing ground (E) and lockwashers(F)to engine generator regulator (A).
6. Place other end of ground(E), screw (H), and two lockwashers (J) in position on hull.
7. Using socket, tighten screw (H) securing ground (E) to hull.
8. Replace access plate (page 17-9).
9. Check generator for operation (TM 5-5420-226-10).

End of Task

TA168670

**ENGINE GENERATOR REGULATOR MOUNTING BRACKET REPLACEMENT (Sheet 1 of 1)**

**TOOLS:** 7/16 in. socket with 1/2 in. drive  
Ratchet with 1/2 in. drive

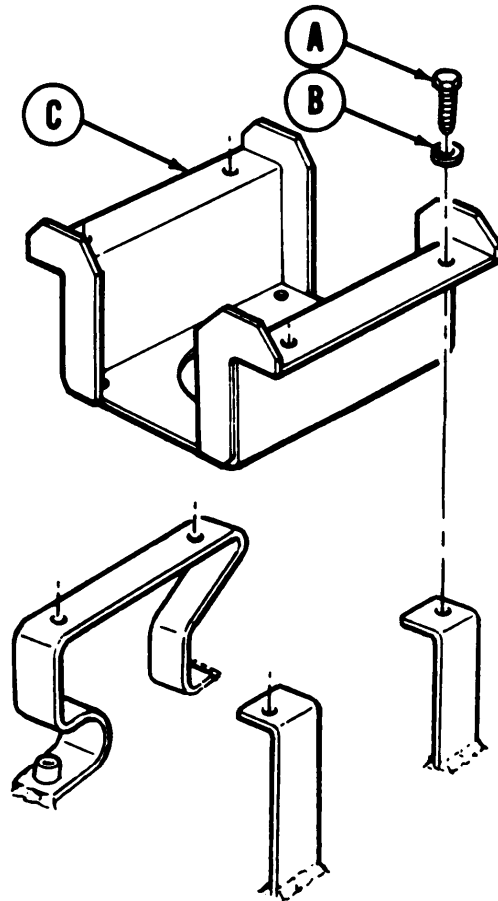
**PRELIMINARY PROCEDURE:** Remove engine generator regulator (page 10-18)

**REMOVAL:**

1. Using socket, remove four screws(A) and lockwashers (B) securing mounting bracket (C) to hull floor.
2. Remove mounting bracket (C).

**INSTALLATION:**

1. Place mounting bracket (C) in position on hull floor.
2. Using socket, install four screws(A) and lockwashers (B) securing mounting bracket (C) to hull floor.
3. Install engine generator regulator (page 10-19).



End of Task

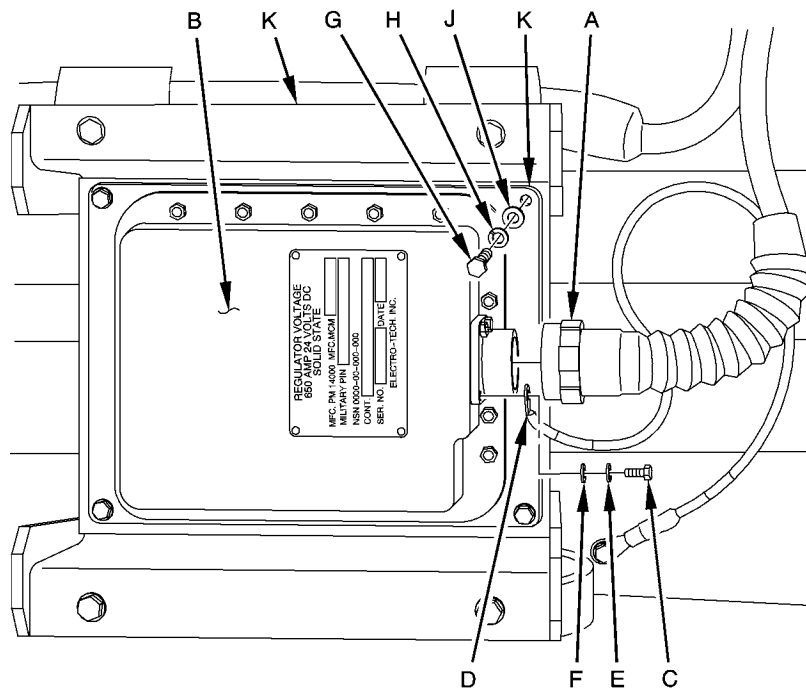
TA168671

**HEU ENGINE GENERATOR REGULATOR REPLACEMENT (Sheet 1 of 2)**

**TOOLS:** 7/16 in. socket with 1/2 in. drive  
 Cross-tip screwdriver  
 Ratchet with 1/2 in. drive  
 Spanner wrench  
 5 inch extension

**SUPPLIES:** Lock washers (5 required)

**PRELIMINARY PROCEDURE:** Remove access cover from floor in commander's compartment (page 17- 9)  
 Disconnect three battery grounds (page 10-268)

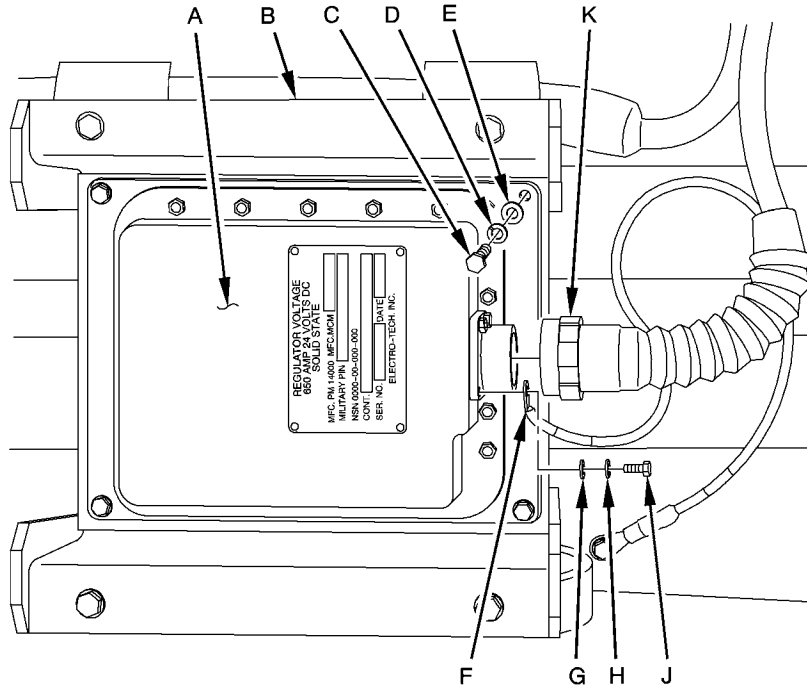


**REMOVAL:**

1. Remove electrical connector (A) from engine generator regulator (B).
2. Using screwdriver, remove screw (C) securing ground (D) to engine generator regulator (B).
3. Remove ground (D) lock washer (E) and washer (F) from engine generator regulator (B).
4. Using socket remove four screws (G) washers (H) and lock washers (J) securing engine generator regulator (B) to mounting bracket (K).
5. Remove engine generator regulator (B) from vehicle.

Go on to Sheet 2

**HEU ENGINE GENERATOR REGULATOR REPLACEMENT (Sheet 2 of 2)**



**INSTALLATION:**

1. Place engine generator regulator (A) in position on mounting bracket (B).
2. Using socket, install four screws (C) washers (D) and new lock washers (E) securing engine generator regulator (A) to mounting bracket (B).
3. Place ground (F) washer (G) and new lock washer (H) in position on engine generator regulator (A).
4. Using screwdriver, install screw (J) securing ground (F) to engine generator regulator (A).
5. Connect electrical connector (K) to engine generator regulator (A).
6. Replace access plate (page 17- 9).
7. Connect three battery grounds (page 10-268).
8. Check generator for operation (TM 5-5420- 226 - 10).



**STARTER REPLACEMENT (Sheet 1 of 7)**

PROCEDURE INDEX

P R O C E D U R E	P A G E
Removal	10-21
Installation	10-25

TOOLS: Ratchet with 1/2 in. drive  
 10 in. extension with 1/2 in. drive  
 1/2 in. socket with 1/2 in. drive  
 9/16 in. socket with 1/2 in. drive  
 3/4 in. socket with 1/2 in. drive  
 1/2 in. combination box and open end wrench  
 3/4 in. combination box and open end wrench  
 15/16 in. combination box and open end wrench  
 Diagonal cutting pliers  
 Flat-tip screwdriver  
 Torque wrench with 3/8 in. drive (0-200 lb-in.)  
 3/4 in. socket with 3/8 in. drive  
 Slip joint pliers

SPECIAL TOOLS: Ground hop kit (Item 30, Chapter 3, Section I)  
 Wrench, fixed, open end (Item 3, Chapter 3, Section I)

SUPPLIES: Pencil  
 Seven tags  
 Lockwire (10 in.) (Item 61, Appendix D)  
 Glyptol (Item 39, Appendix D)  
 Gasket (7084278)

PERSONNEL: Two

REFERENCES: TM 5-5420-226-10

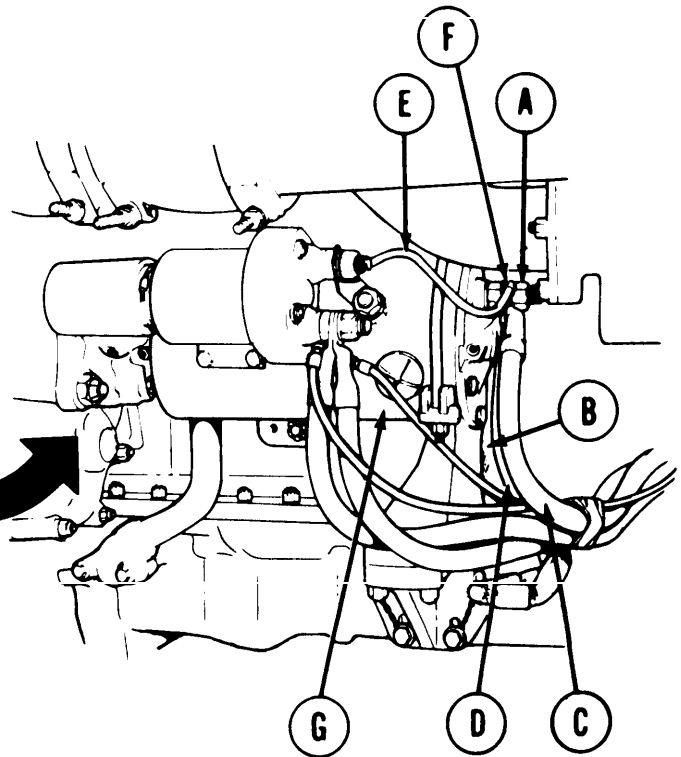
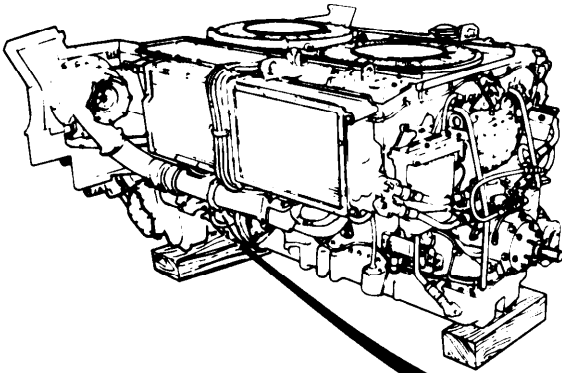
PRELIMINARY PROCEDURES: Remove powerplant (page 5-2)  
 Remove starter low voltage relay solenoid (page 10-227)

Go on to Sheet 2

TA168672

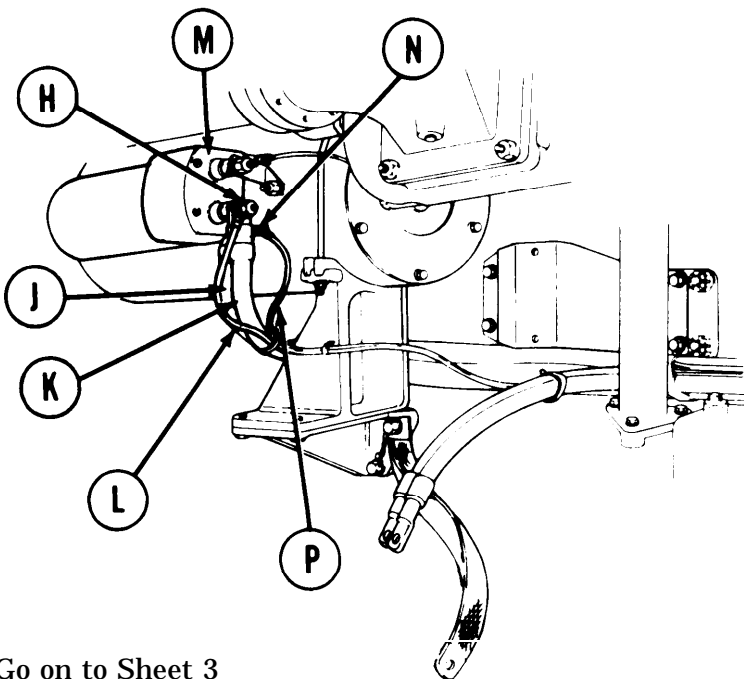
STARTER REPLACEMENT (Sheet 2 of 7)

REMOVAL:



1. Using 3/4 inch wrench, remove nut and lockwasher (A) securing ground straps (B), heavy cables (C and D), and light cable (E) to terminal (F) on front of starter (G).
2. Remove all cables and tag.

3. Using 3/4 inch socket, remove nut, external tooth lockwasher, and split lockwasher (H) securing two heavy cables (J and K), and one light cable (L) to terminal on front of starter relay solenoid (M).
4. Remove all cables and tag.
5. Using screwdriver, remove screw and external tooth lockwasher (N) securing cable (P) to terminal at lower front of starter switch relay solenoid (M). Remove cable and tag.

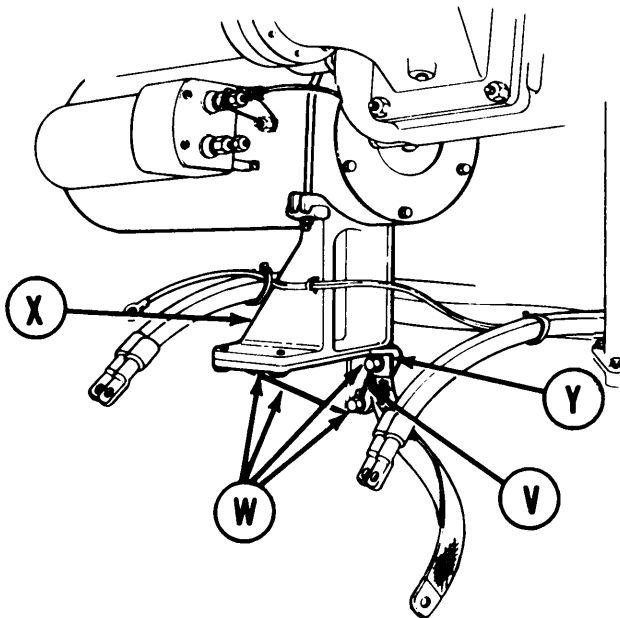
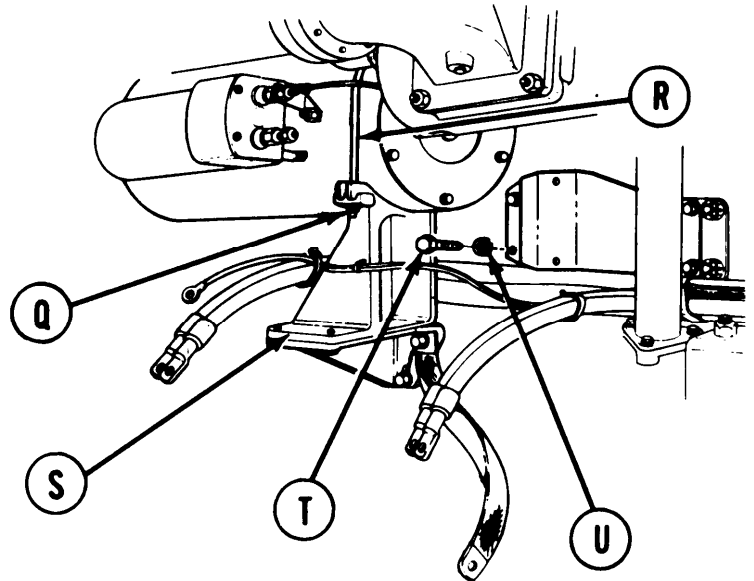


Go on to Sheet 3

TA168673

**STARTER REPLACEMENT (Sheet 3 of 7)**

6. Using 1/2-inch wrench, loosen two self-locking nuts (Q) securing U-bolt (R) to cradle assembly (S).
7. Using 1/2 inch socket and extension, remove four screws (T) and lockwashers (U) securing relay solenoid bracket to engine oil pan. Remove relay bracket.



8. Using pliers, cut and remove lockwire (V) on four screws (W) securing starter cradle assembly (X) and bracket (Y) to engine oil pan.
9. Using 9/16-inch socket and 10-inch extension, remove four screws and flat washers (W) securing starter cradle assembly (X) and bracket (Y) to engine oil pan. Remove starter cradle bracket and U-bolt as as assembly.

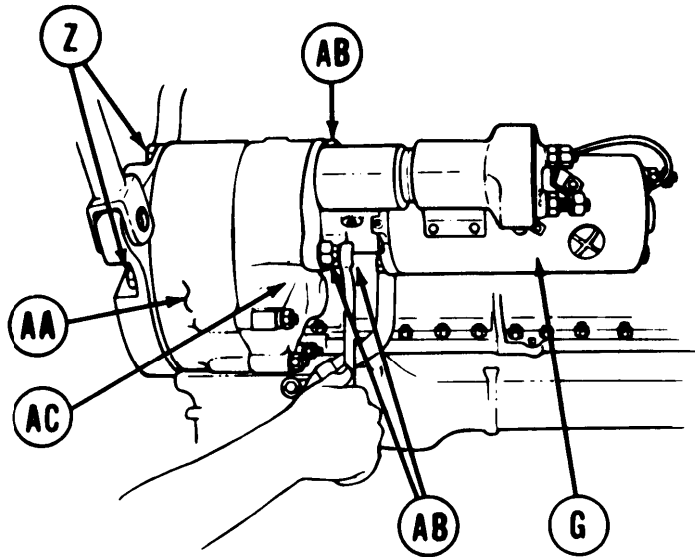
Go on to Sheet 4

TA168674

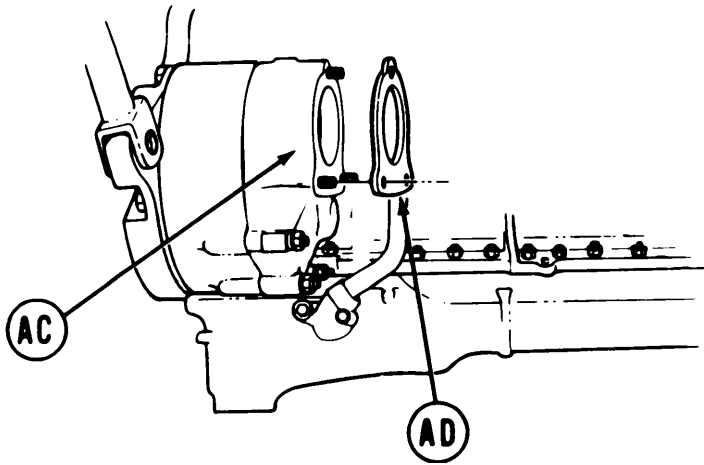
STARTER REPLACEMENT (Sheet 4 of 7)

NOTE

The top and front fasteners have bolts (Z) which pass through the engine hull housing (AA) and must be held in place when removing the self-locking nuts (AB). The inboard fastener has a stud and will not require a wrench to hold it in place.



- Using 15/16-inch wrench on bolts (Z) and special wrench on self-locking nuts (AB) loosen and remove three self-locking nuts (AB) securing starter (G) to starter drive adapter (AC).
- Using two people, ease starter out of starter drive adapter (AC). Remove starter from engine.



- Remove gasket (AD) from starter drive adapter (AC). Throw away gasket.

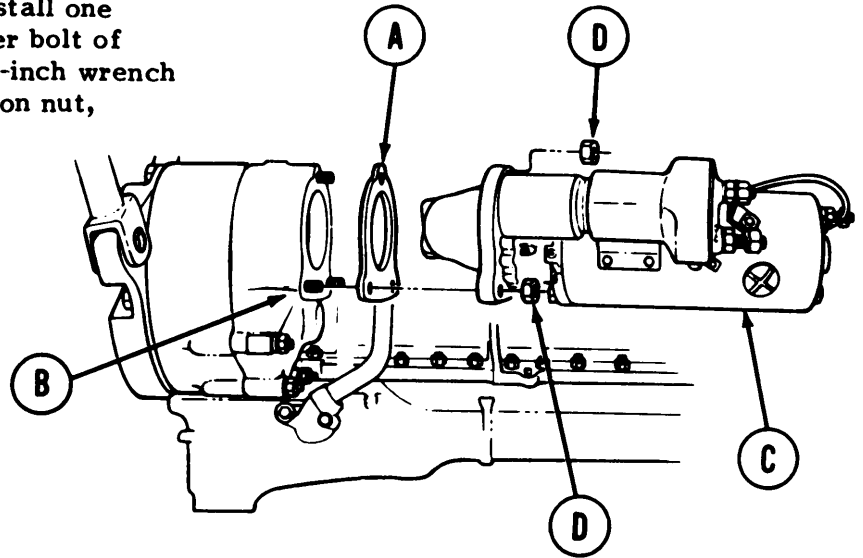
Go on to Sheet 5

TA168675

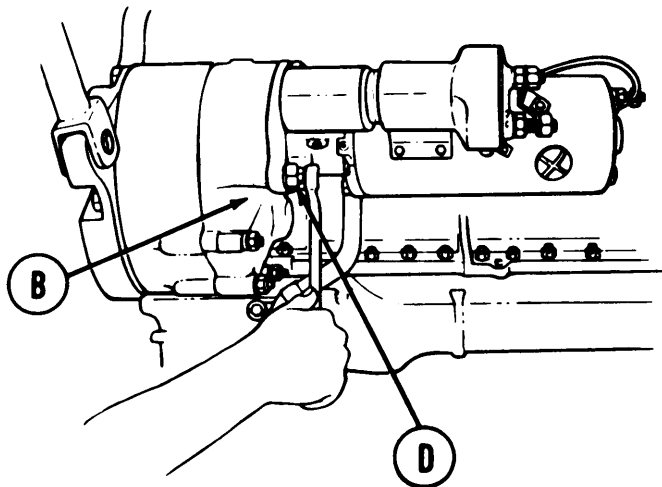
## STARTER REPLACEMENT (Sheet 5 of 7)

## INSTALLATION:

1. Install new gasket (A) on starter drive adapter (B).
2. Using two people, ease starter (C) into place in starter drive adapter (B). Support starter and install one self-locking nut (D) on upper bolt of drive adapter. Using 15/16-inch wrench on bolt and special wrench on nut, secure nut on bolt.



3. Install lower nut (D) and bolt in same way as upper nut and bolt in step 2.



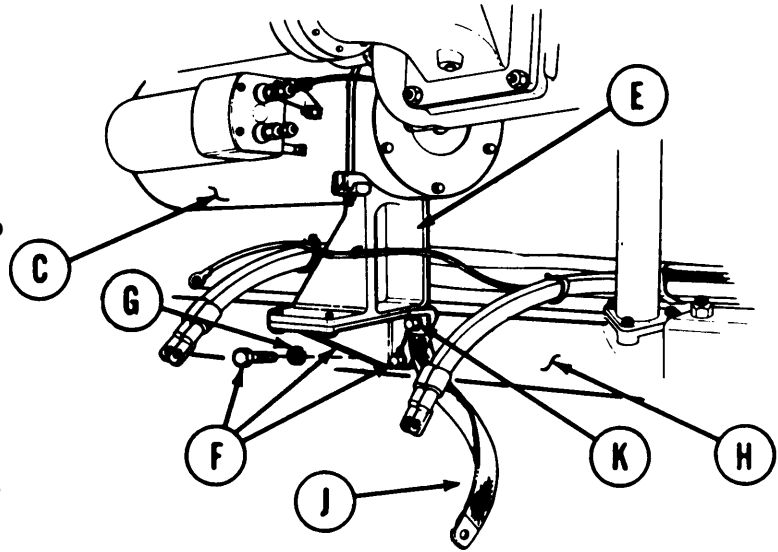
4. Using special wrench, secure last nut (D) onto stud.

Go on to Sheet 6

TA168676

STARTER REPLACEMENT (Sheet 6 of 7)

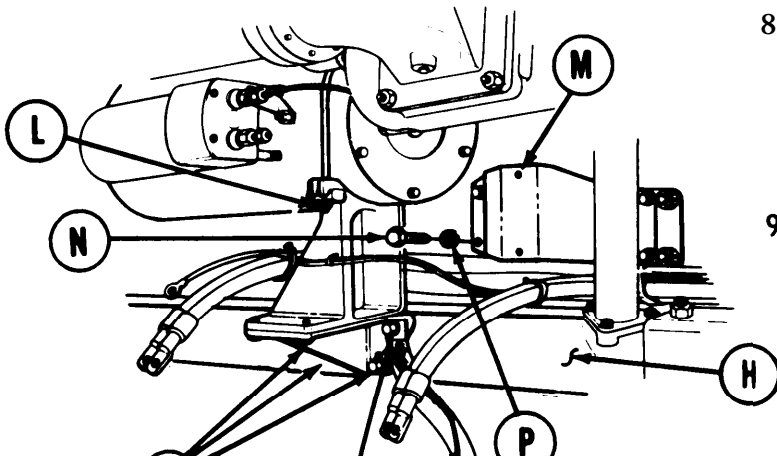
5. Slide starter cradle assembly bracket (E) into position under starter (C).
6. Using fingers, install three screws (F) with flat washers (G) to secure starter cradle assembly bracket (E) to engine oil pan (H).



NOTE

When installing ground strap (J) to screw (K), be sure flat washer seats flat against bracket face.

7. Using fingers install ground strap (J) on screw (K), flat washer and lockwasher (K), and install screw to starter cradle assembly bracket (E) and engine oil pan (H) as in step 6.



8. Using 1/2-inch wrench, tighten two self-locking nuts (L) evenly to be sure nuts and U-bolts seat properly.

9. Using 9/16-inch socket and 10-inch extension, secure four screws (F) and (K).

NOTE

After securing screws (F) and (K), check front of stater case to be sure there is no gap between the starter case and the support cradle assembly. If there is a gap, loosen screws (F) and (K) and adjust the position of the cradle assembly so there is no gap.

10. Position low voltage relay solenoid bracket (M) on engine oil pan (H) and using 1/2-inch socket and 10-inch extension secure low voltage relay solenoid bracket (M) to engine oil pan (H) with four screws (N) and lockwashers (P).

Go on to Sheet. 7

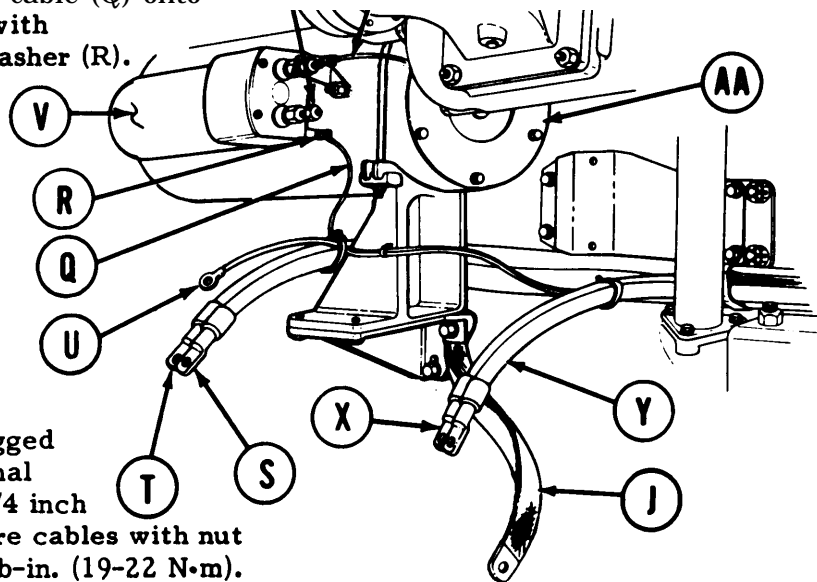
TA168677

**STARTER REPLACEMENT (Sheet 7 of 7)**

11. Using screwdriver, secure small cable (Q) onto bottom front of solenoid relay with screw and external tooth lockwasher (R).

12. Install heavy cables (S) and (T) and tagged light cable (U) onto lower terminal of starter switch relay solenoid (V). Using 3/4 inch socket and torque wrench, secure cables with nut and lockwashers (W) to 14-16 lb-in. (19-22 N·m).

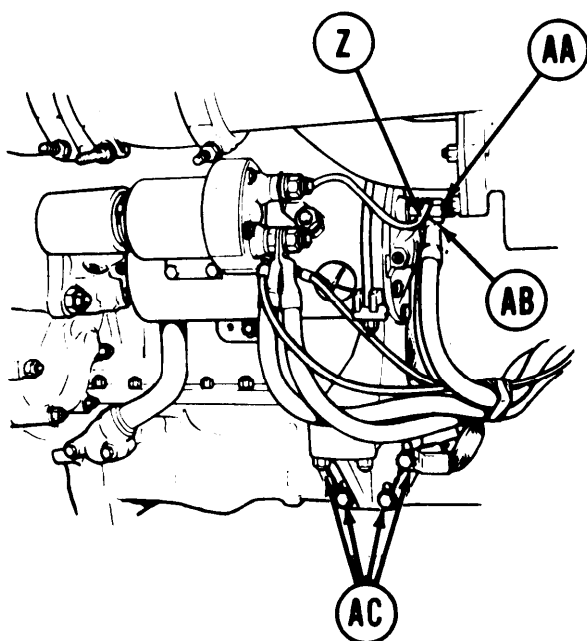
13. Install ground strap (J) and two heavy cables (X) and (Y) and tagged light cable (Z) onto large terminal at starter motor (AA). Using 3/4 inch socket and torque wrench, secure cables with nut and lockwashers (AB) to 14-16 lb-in. (19-22 N·m).



14. Install starter low voltage relay solenoid (page 10-228).

15. Connect powerplant for ground hop (page 5-26).

16. Perform operational check (TM 5-5420-226-10).



17. Stop engine (TM 5-5420-226-10).

18. Using pliers, secure four bracket bolts with lockwire (AC), exactly as shown in the figure, to prevent them from loosening.

19. Coat all exposed terminal fittings with glyptol.

20. Disconnect powerplant from ground hop.

21. Install powerplant (page 5-14).

End of Task

TA168678

ENGINE FUEL INJECTION PUMP: FUEL SHUTOFF LEAD REPLACEMENT (Sheet 1 of 5)

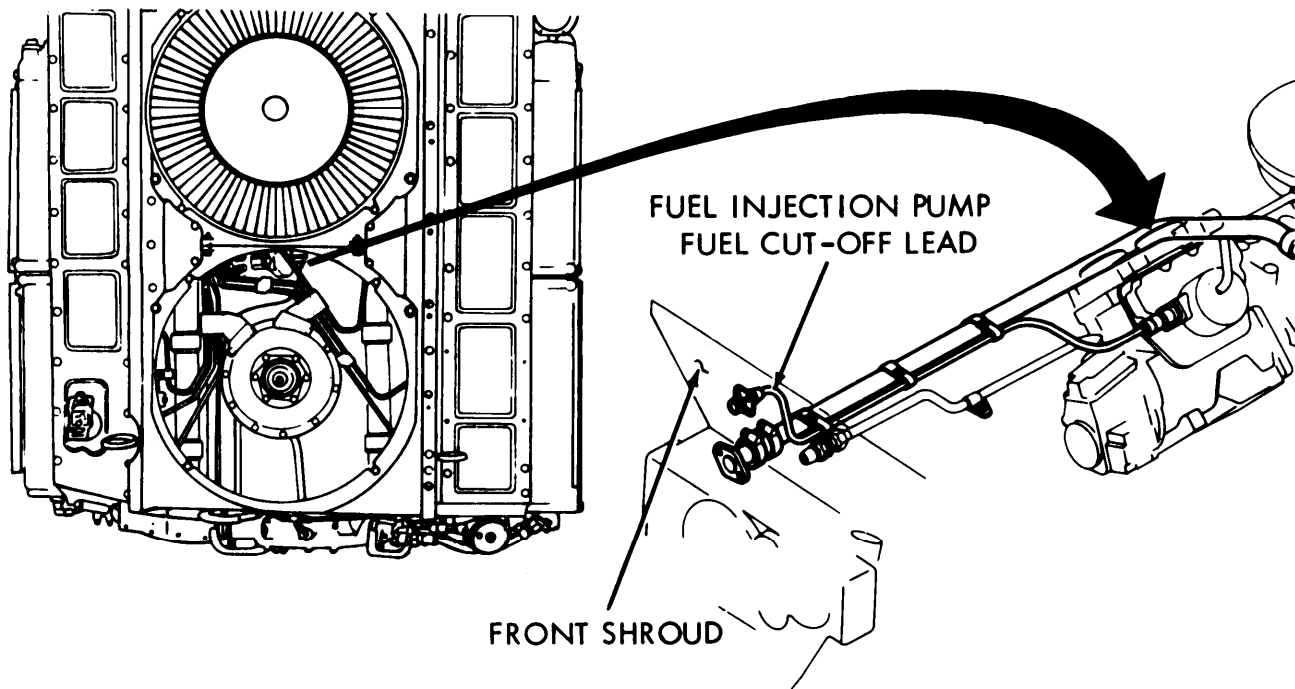
PROCEDURE INDEX

PROCEDURE	PAGE
Removal	10-28
Inspection	10-30
Installation	10-31

- TOOLS:
- Slip joint pliers
  - Cross-tip screwdriver with No. 1 tip
  - Flat-tip screwdriver
  - 1/4in. combination box and open end wrench
  - 7/8in. combination box and open end wrench
  - 3/8in. combination box and open end wrench

SUPPLIES: Lockwire (Item 61, Appendix D)

- PRELIMINARY PROCEDURES:
- Remove powerplant (page 5-2)
  - Remove front engine cooling fan (page 9-55)



Go on to Sheet 2

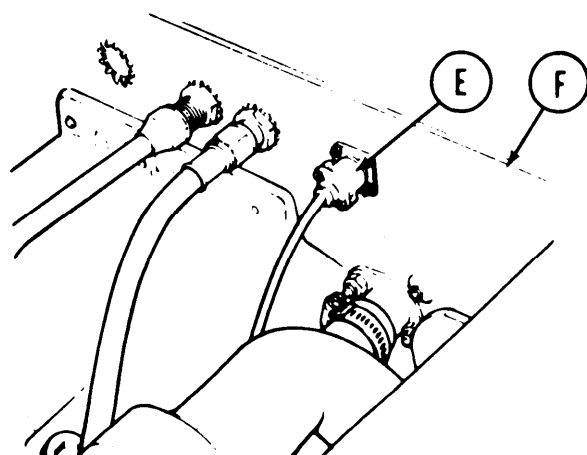
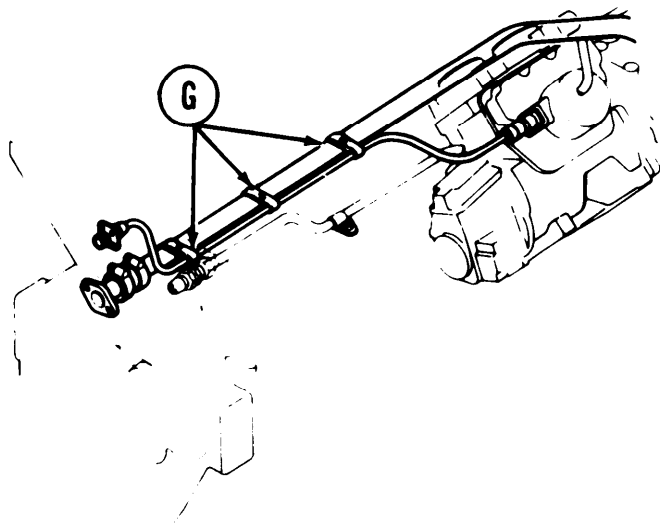
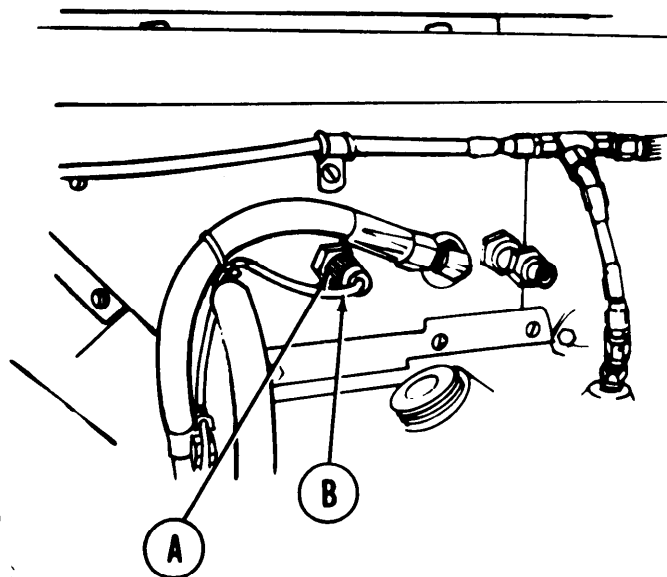
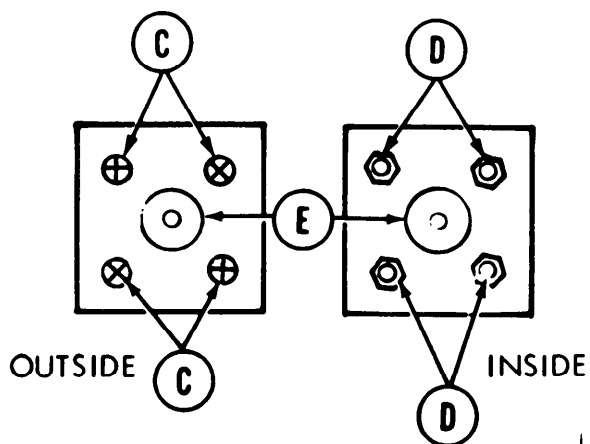
TA168679



**ENGINE FUEL INJECTION PUMP FUEL SHUTOFF LEAD REPLACEMENT (Sheet 2 of 5**

**REMOVAL:**

1. Using 7/8 inch wrench, loosen retaining nut (A) on electrical connector (B).
2. Remove connector (B).
3. Using cross-tip screwdriver and 1/4 inch wrench, remove four screws (C), washers, and nuts (D) on connector(E).
4. Remove connector (E) from engine shroud (F).
5. Using flat-tip screwdriver and 3/8 inch wrench, remove three loop clamps(G).



Go on to Sheet 3

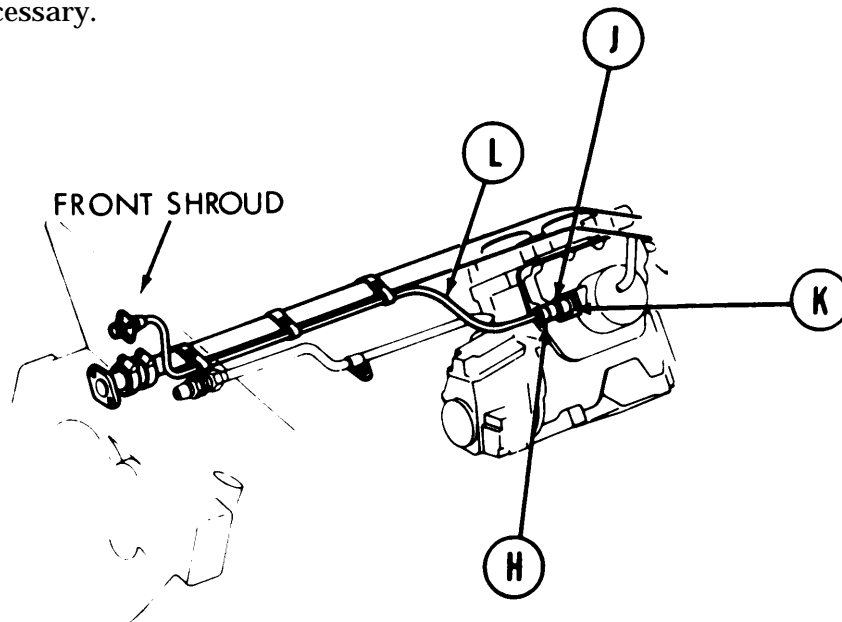
TA168680

ENGINE FUEL INJECTION PUMP FUEL SHUTOFF LEAD REPLACEMENT (Sheet 3 of 5)

6. Using pliers, remove lockwire (H) from retaining nut (J).
7. Using pliers, loosen retaining nut (J) on connector (K).
8. Remove connector (K).
9. Remove lead (L).

INSPECTION:

1. Check loop clamps for cracks.
2. Check screws and nuts for stripped threads.
3. Replace parts as necessary.



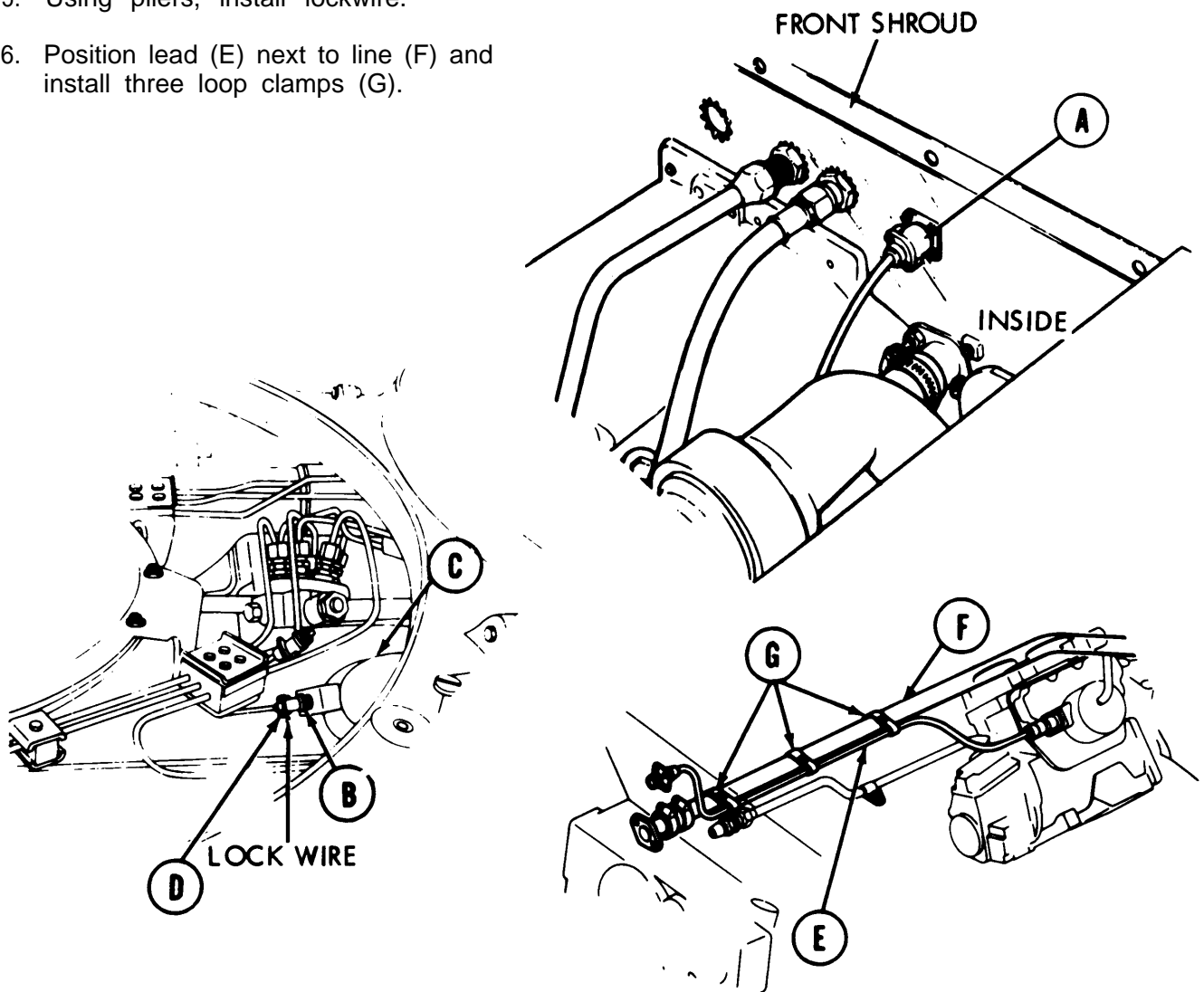
Go on to Sheet 4

TA168681

## ENGINE FUEL INJECTION PUMP: FUEL SHUTOFF LEAD REPLACEMENT (Sheet 4 of 5)

## INSTALLATION:

1. Install connector (A) of replacement lead through engine shroud from inside of engine.
2. Using cross-tip screwdriver and 1/4 inch wrench, secure connector (A) with four screws, washers, and nuts. Make sure nuts are inside engine shroud.
3. Install connector (B) on fuel pump (C).
4. Tighten retaining nut (D) using slip joint pliers.
5. Using pliers, install lockwire.
6. Position lead (E) next to line (F) and install three loop clamps (G).

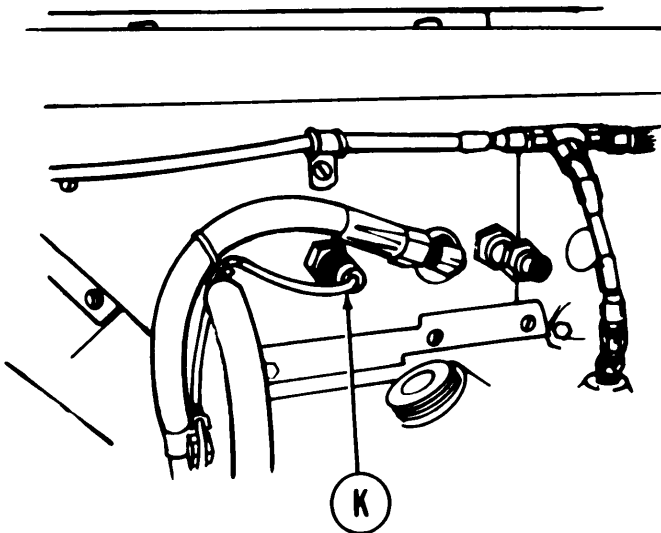
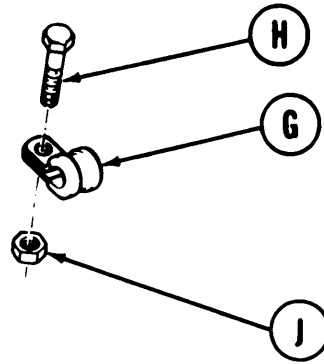


Go on to Sheet 5

TA168682

ENGINE FUEL INJECTION PUMP: FUEL SHUTOFF LEAD REPLACEMENT (Sheet 5 of 5)

7. Using 3/8 inch wrench and flat-tin screwdriver, secure three 100P clamps (G) with three screws (H) and self-locking nuts (J).
8. Using 7/8 inch wrench, install electrical connector (K).
9. Install front engine cooling fan (page 9-57).
10. Install powerplant (page 5-14).



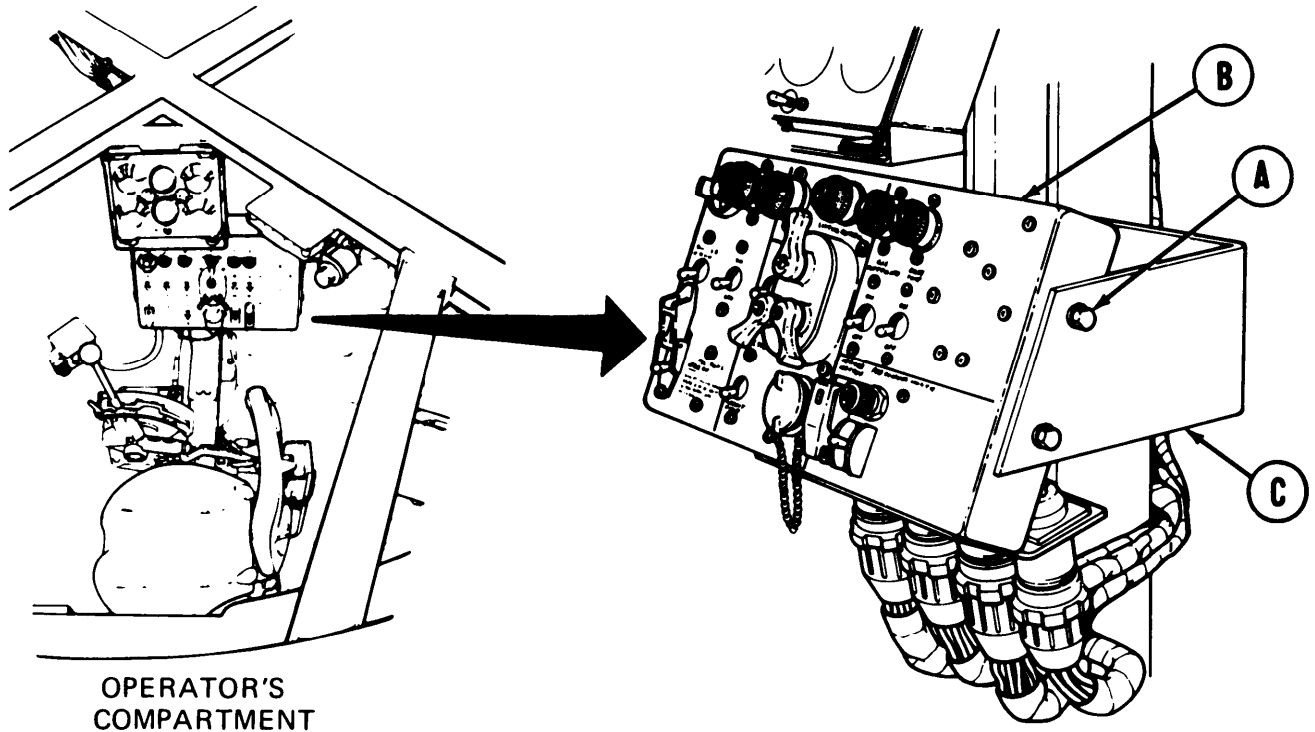
End of Task

TA168683

**MASTER CONTROL PANEL DISPLACEMENT (Sheet 1 of 1)**

**TOOLS:** 7/16 in. combination box and open end wrench

**PRELIMINARY PROCEDURE:** Disconnect three battery ground straps (page 10-268)



**DISPLACEMENT:**

1. Using wrench, remove four screws and lockwashers (A) securing panel (B) to mounting bracket (C).
2. Lower panel (B) to vehicle floor.

**INSTALLATION:**

1. Position panel (B) in mounting bracket (C).
2. Using wrench, install four screws and new lockwashers (A) to secure panel (B) to mounting bracket (C).
3. Connect three battery ground straps (page 10-268).

TA168684

MASTER CONTROL PANEL REPLACEMENT (Sheet 1 of 4)

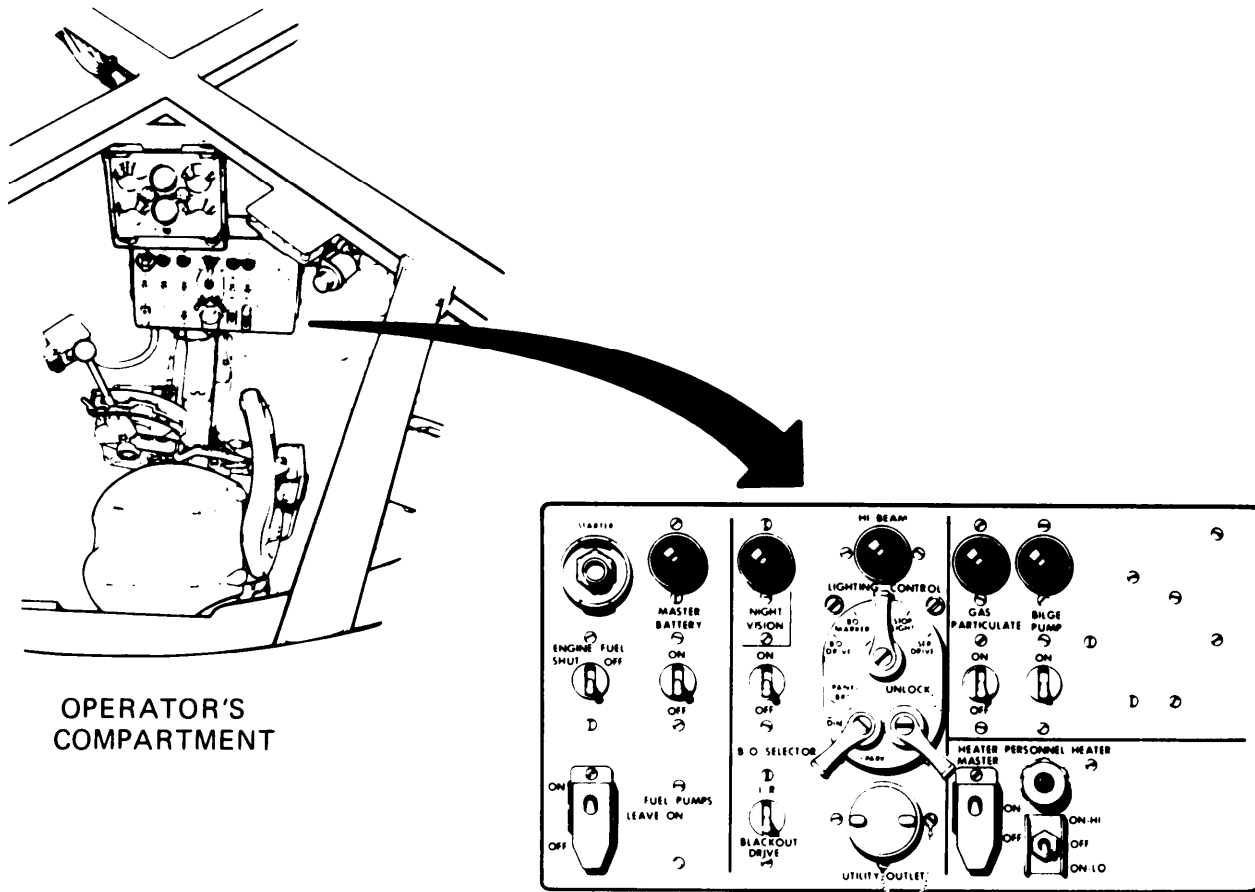
PROCEDURES INDEX

PROCEDURES	PAGE
Removal	10-34
Installation	10-36

Tools: 7/16 in. combination box and open end wrench (two required)  
Spanner wrench

SUPPLIES: Silicone compound (Item 32, Appendix D)

PRELIMINARY PROCEDURES: Disconnect three battery ground straps (page 10-268)



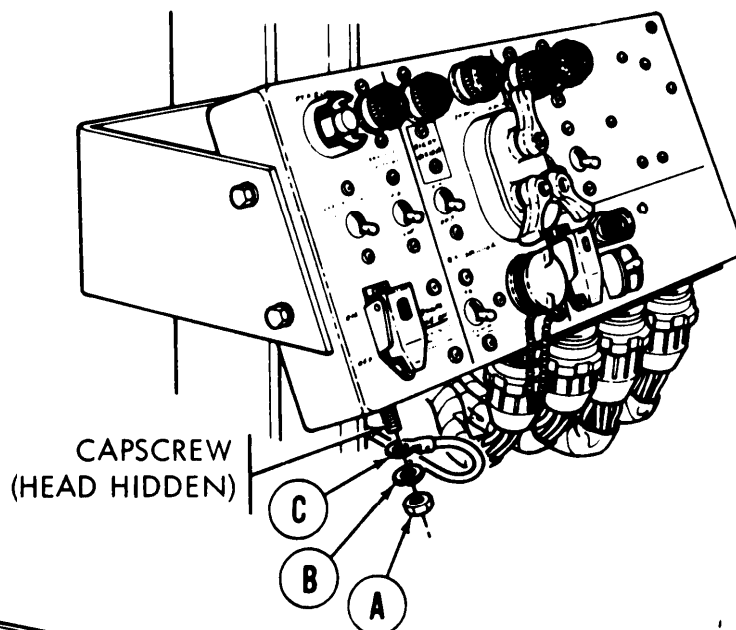
Go on to Sheet 2

TA168685

**MASTER CONTROL PANEL REPLACEMENT (Sheet 2 of 4)**

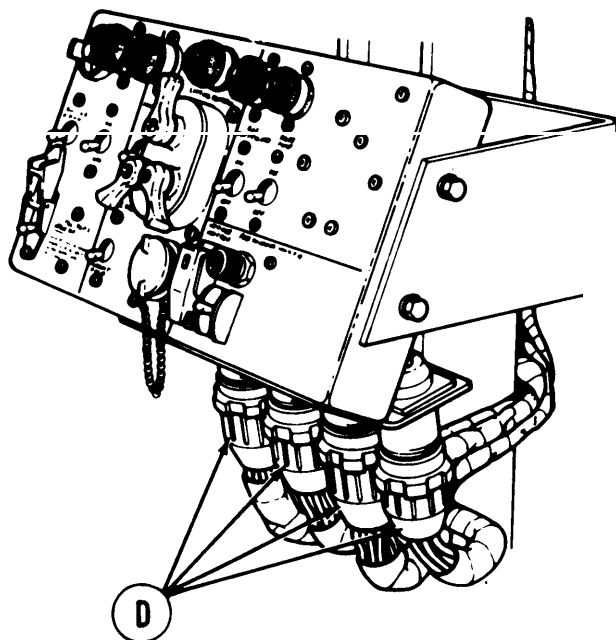
**REMOVAL:**

1. Using one wrench, grip head of screw (hidden) on bottom rear of master control panel.
2. Using other wrench, remove nut (A) and lockwasher (B) securing ground strap (C) to master control panel.
3. Remove ground strap (C).



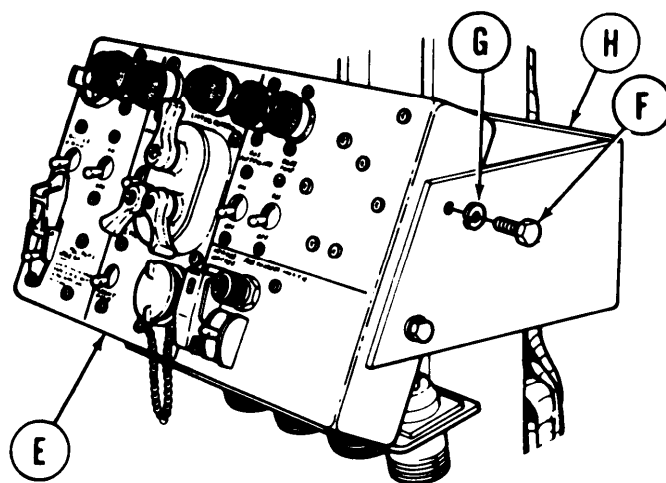
**NOTE**

**Cables (D) must be removed from left to right or right to left.**



4. Using spanner wrench, remove four cables (D) from bottom rear of master control panel.

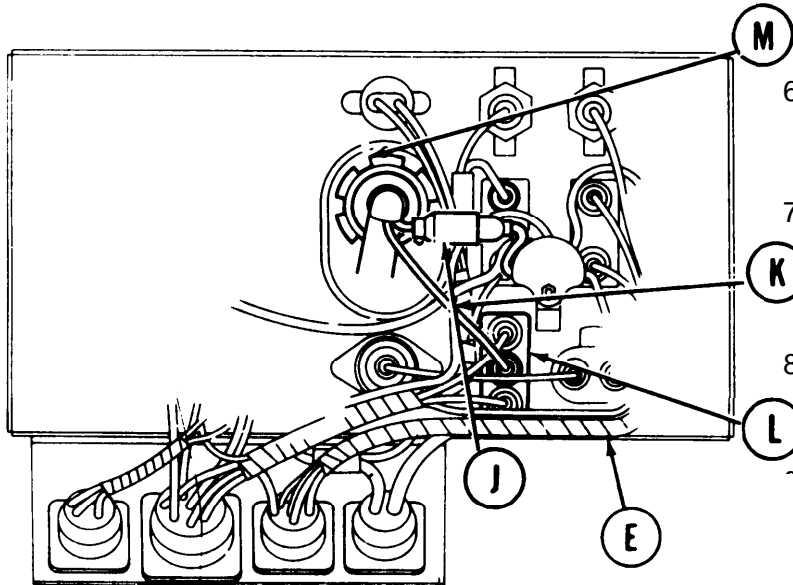
5. Using wrench to remove four screws (F) and lockwashers (G) securing panel (E) to mounting bracket (H).



Go on to Sheet 3

TA168686

MASTER CONTROL PANEL REPLACEMENT (Sheet 3 of 4)

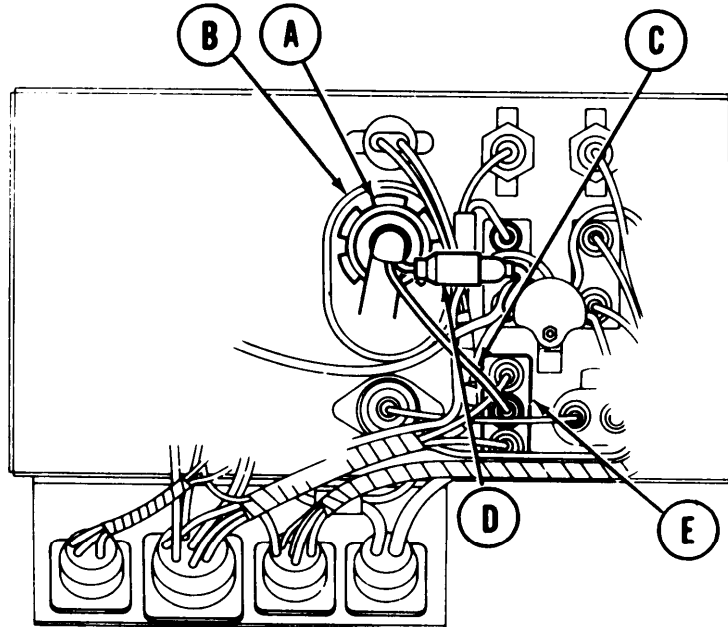


6. Using fingers, disconnect electrical connector (J) (circuit 15).
7. Using fingers, disconnect electrical connector (K) (circuit 19) from center of switch (L) by pulling out.
8. Using spanner wrench, remove electrical connector (M).
9. Remove panel (E).

BACK OF MASTER CONTROL PANEL

INSTALLATION:

1. Using spanner wrench, install electrical connector (A) on light control switch (B).
2. Apply silicone compound to two leads (C and D).
3. Using fingers, install lead (C) (circuit 19) in center connection on switch (E).
4. Using fingers, connect electrical connector (D) (circuit 15) by pushing together.



BACK OF MASTER CONTROL PANEL

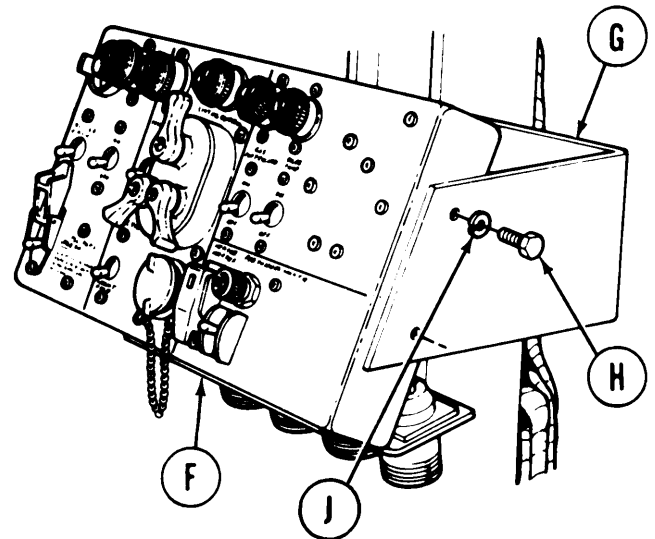
Go on to Sheet 4

TA168687



MASTER CONTROL PANEL REPLACEMENT (Sheet 4 of 4)

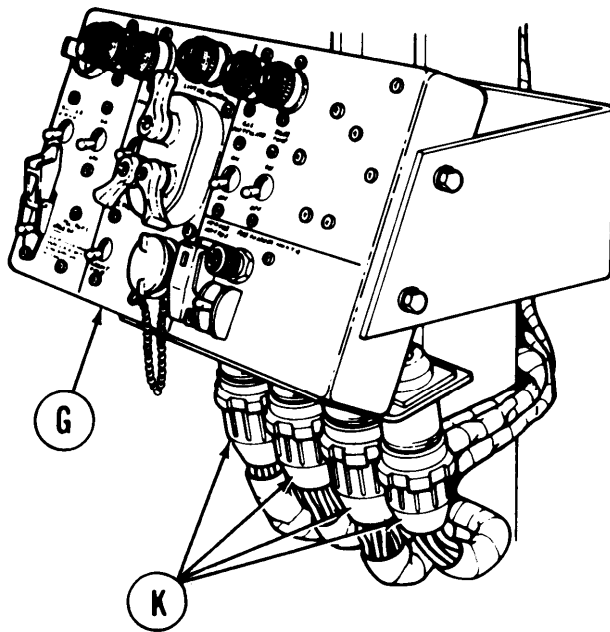
5. Place panel (F) in position on mounting bracket (G).
6. Using wrench, install four screws (H) and lockwashers (J) to secure panel (F) to mounting bracket (G).



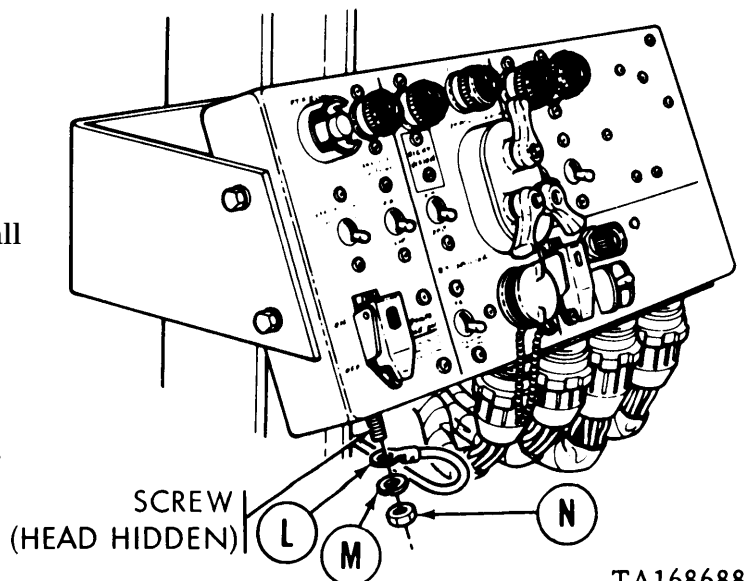
NOTE

**Cables (K) must be installed from right to left or left to right.**

7. Using spanner wrench, install four cables (K) to bottom of panel (G).
8. Place screw and ground strap (L) in position on panel.



9. Using one wrench, grip head of screw (hidden) on bottom rear of panel.
10. Using other combination wrench, install new lockwasher (M) and nut (N) to secure ground strap (L) to panel.
11. Connect three battery ground straps (page 10-268).
12. Check master control panel for proper operation (TM 5-5420-226-10).



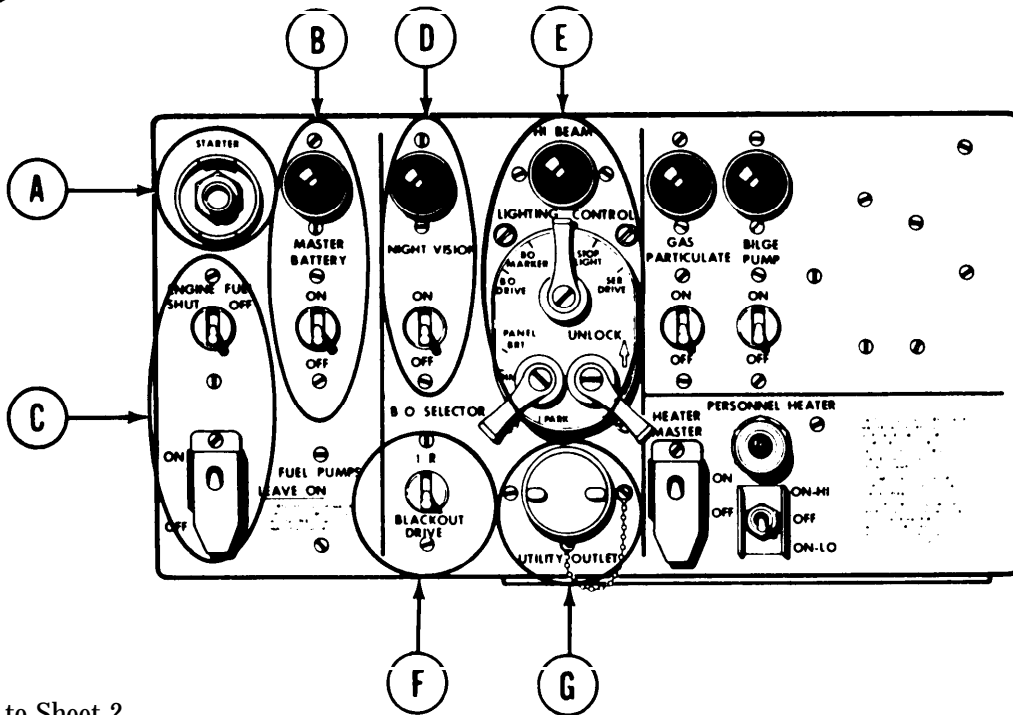
End of Task

TA168688

MASTER CONTROL PANEL REPAIR (Sheet 1 of 73)  
 Procedure Index (Sheet 1 of 3)

PROCEDURE INDEX

PROCEDURE	PAGE
<b>A</b> Starter Switch Replacement	10-41
<b>B</b> Master Battery Switch and Indicator Light Replacement	10-43
<b>C</b> Engine Fuel Shutoff and Fuel Pumps Switch Replacement	10-47
<b>D</b> Night Vision (IR) Switch and Indicator Light Replacement	10-50
<b>E</b> Lighting (Control Switch and Hi Beam Indicator Light Replacement)	10-54
<b>F</b> Blackout Selector Switch Replacement	10-58
<b>G</b> Utility Outlet Replacement	10-60



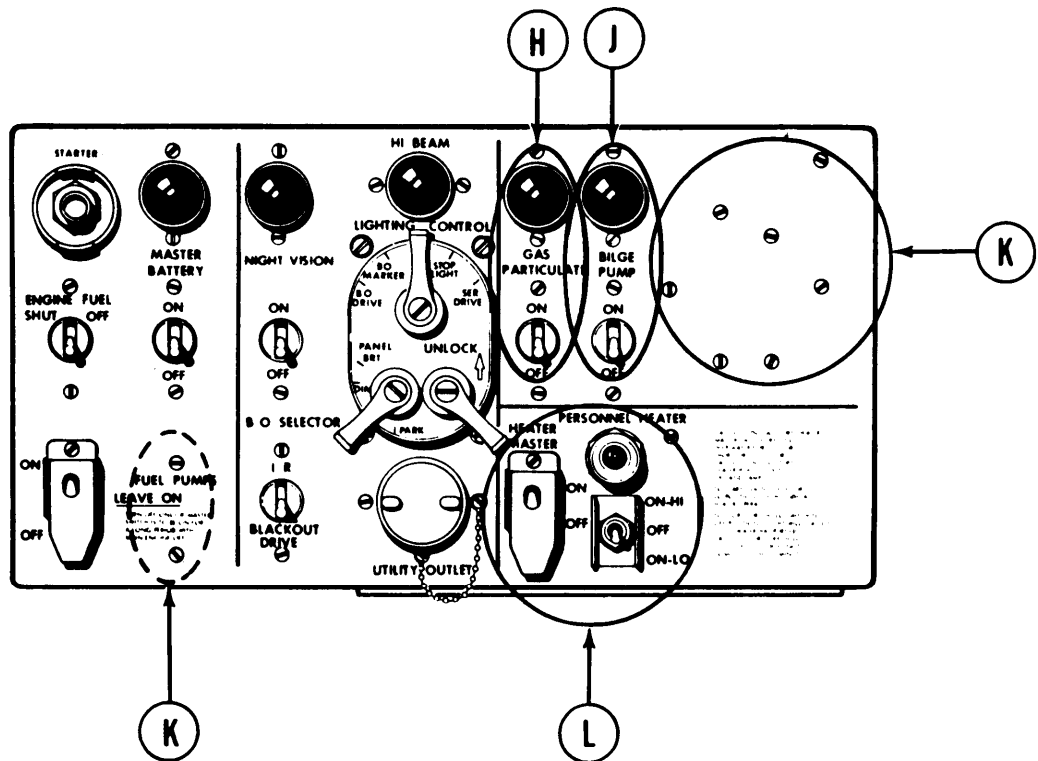
Go on to Sheet 2

TA168689

MASTER CONTROL PANEL REPAIR (Sheet 2 of 73)  
 Procedure Index (Sheet 2 of 3)

PROCEDURE INDEX

PROCEDURE	PAGE
<p>(H) Gas Particulate Switch and Indicator Light Replacement</p>	10-62
<p>(J) Bilge Pump Switch and Indicator Light Replacement</p>	10-66
<p>(K) Circuit Breaker Replacement</p>	10-70
<p>(L) Master Heater Switch, Hi-Lo Switch, and Indicator Light Replacement</p>	10-77



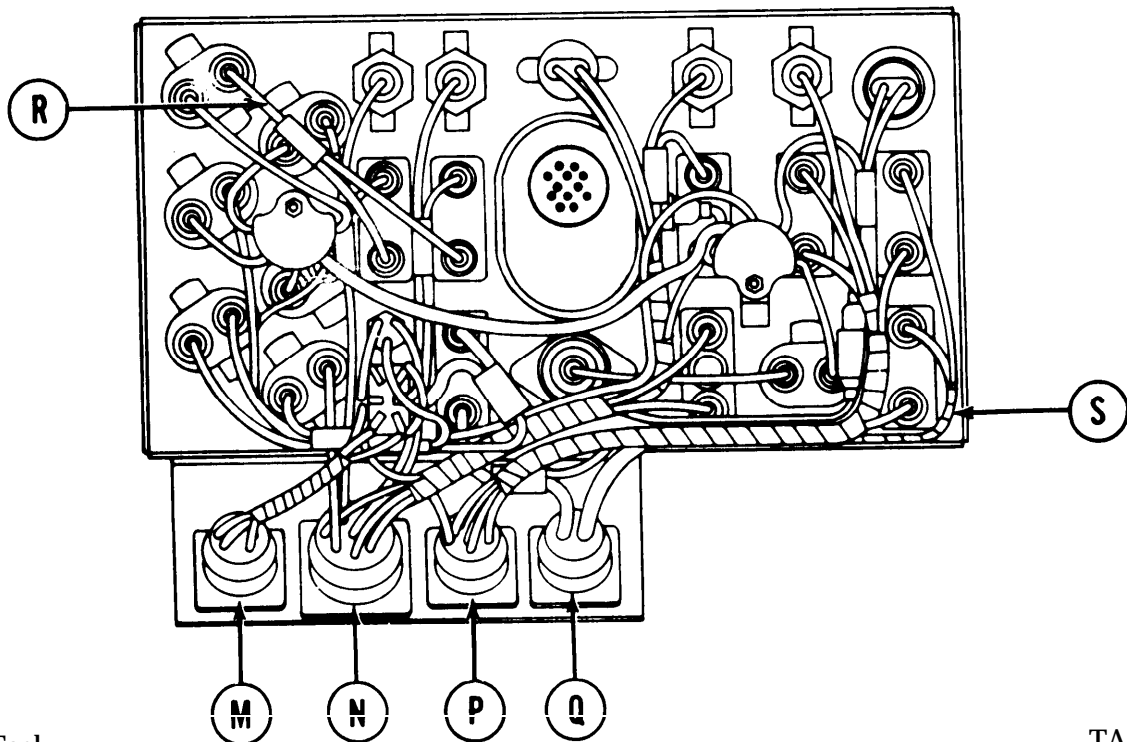
Go on to Sheet 3

TA168690

MASTER CONTROL PANEL REPAIR (Sheet 3 of 73)  
 Procedure Index (Sheet 3 of 3)

PROCEDURE INDEX

PROCEDURE	PAGE
<p><b>M</b> Personnel Heater Wiring Harness Replacement</p>	10-85
<p><b>N</b> Accessories Wiring Harness Replacement</p>	10-91
<p><b>P</b> Master Battery Wiring Harness Replacement</p>	10-97
<p><b>Q</b> Master Control Panel Wiring Harness Replacement</p>	10-101
<p><b>R</b> Gas Particulate and Bilge Pump Lead Assembly Replacement</p>	10-108
<p><b>S</b> Fuel Shutoff Wiring Harness Replacement</p>	10-109



End of Task

TA168691

**MASTER CONTROL PANEL REPAIR (Sheet 4 of 73)**  
**Starter Switch Replacement (Sheet 1 of 2)**

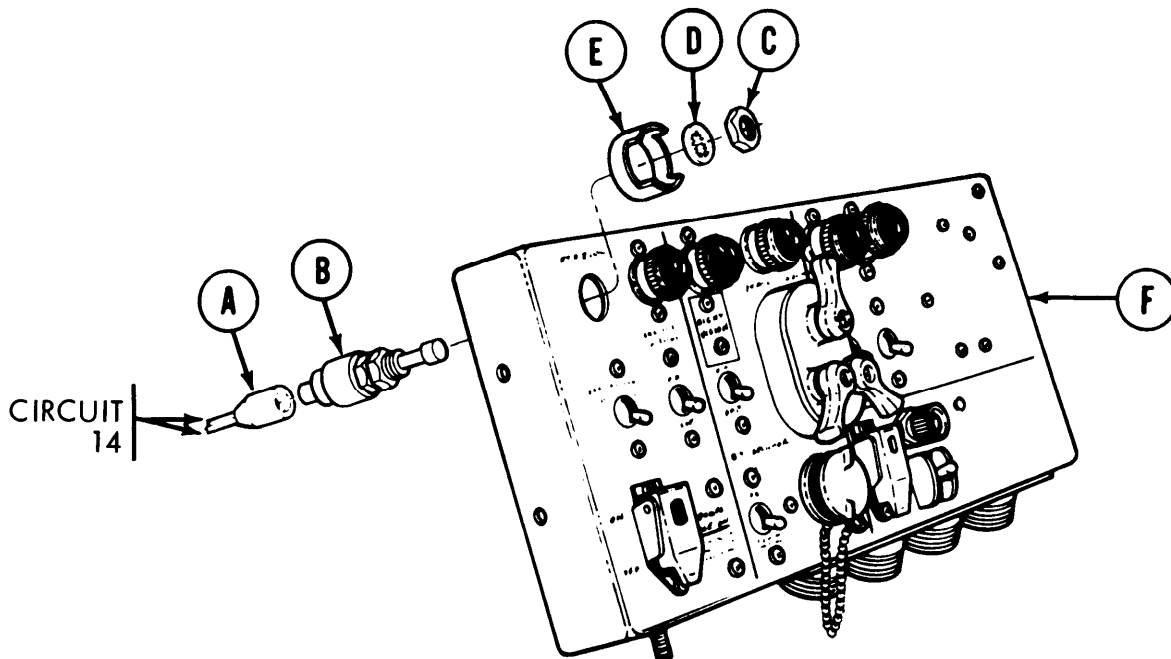
TOOLS: Ratchet with 1/2 in. drive  
5 in. extension with 1/2 in. drive  
13/16 in. socket with 1/2 in. drive

SUPPLIES: Silicone compound (Item 32, Appendix D)

PRELIMINARY PROCEDURE: Remove panel from vehicle (page 10-34).

REMOVAL:

1. Using fingers, remove electrical connector (A)(circuit number 14) by pulling out from back of switch (B).
2. Using socket and extension, remove nut (C) and lockwasher (D) securing switch (B) and guard (E) to panel (F).
3. Remove switch (B) and guard (E).



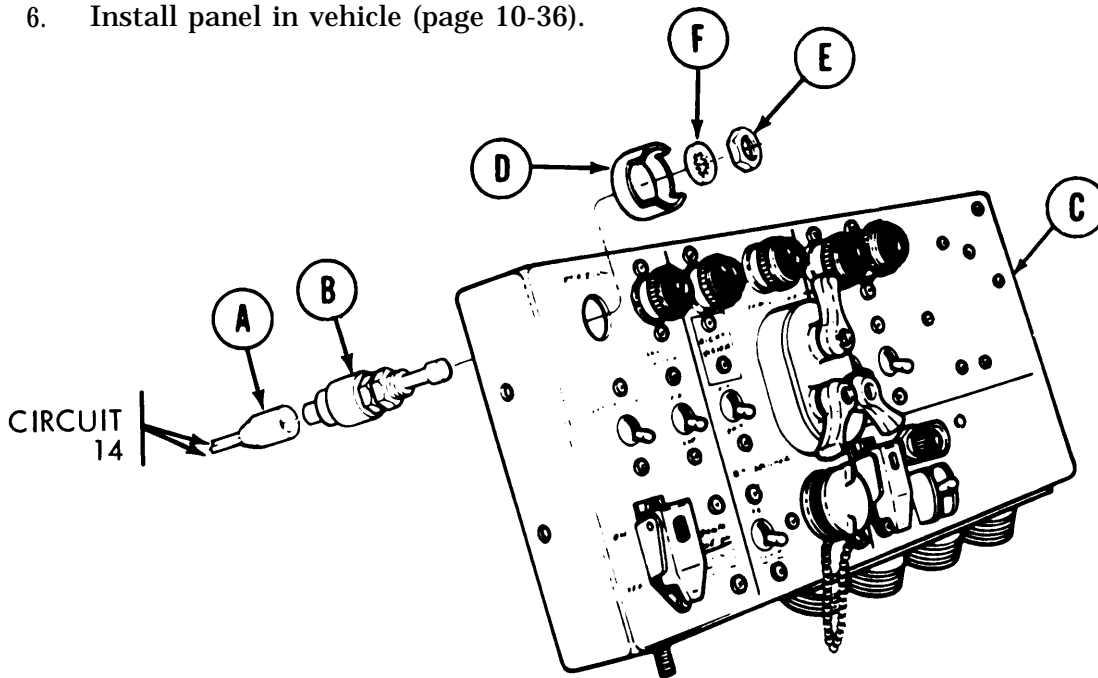
Go on to Sheet 2

TA168692

MASTER CONTROL PANEL REPAIR (Sheet 5 of 73)  
Starter Switch Replacement (Sheet 2 of 2)

INSTALLATION

1. Apply silicone compound to electrical connector (A).
2. Using finger, insert electrical connector (A) (circuit 14), into switch (B).
3. Place switch (B) in position on panel (C).
4. Place guard (D) in position on switch (B).
5. Using socket and extension, install nut (E) and lockwasher (F) securing guard (D) and switch (B) to panel (C).
6. Install panel in vehicle (page 10-36).



End of Task

**MASTER CONTROL PANEL REPAIR (Sheet 6 of 73)**  
**Master Battery Switch And Indicator Lamp Replacement (Sheet 1 of 4)**

PROCEDURE INDEX

PROCEDURE	PAGE
Removal	10-43
Installation	10-45

**TOOLS:** Cross-tip screwdriver  
 10 in. adjustable wrench.

**SUPPLIES:** Silicone compound (Item 32, Appendix D)

**PRELIMINARY PROCEDURE:** Remove panel from vehicle (page 10-34).

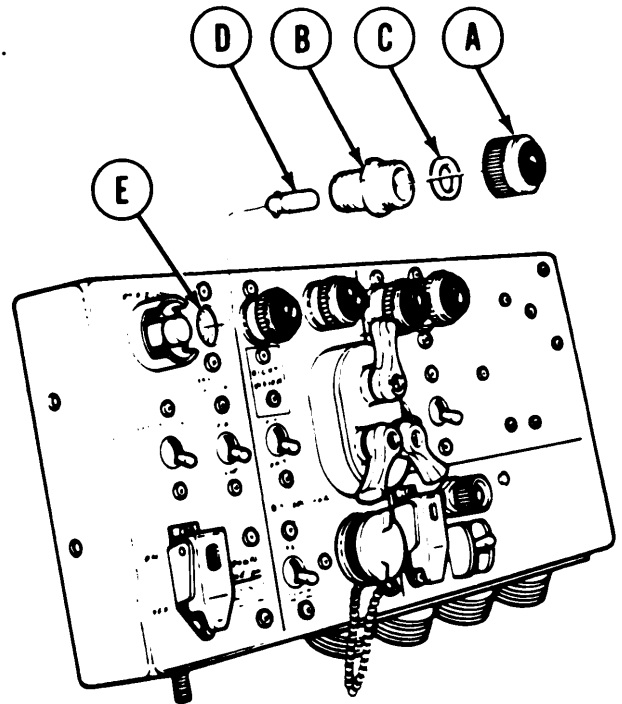
**REMOVAL:**

1. Using fingers, remove lens (A) and adapter (B).

**NOTE**

If necessary, use adjustable wrench to remove adapter (B).

2. Remove packing (C) from adapter (B).
3. Using fingers, remove lamp (D) from base assembly (E) by pushing in and turning counterclockwise.

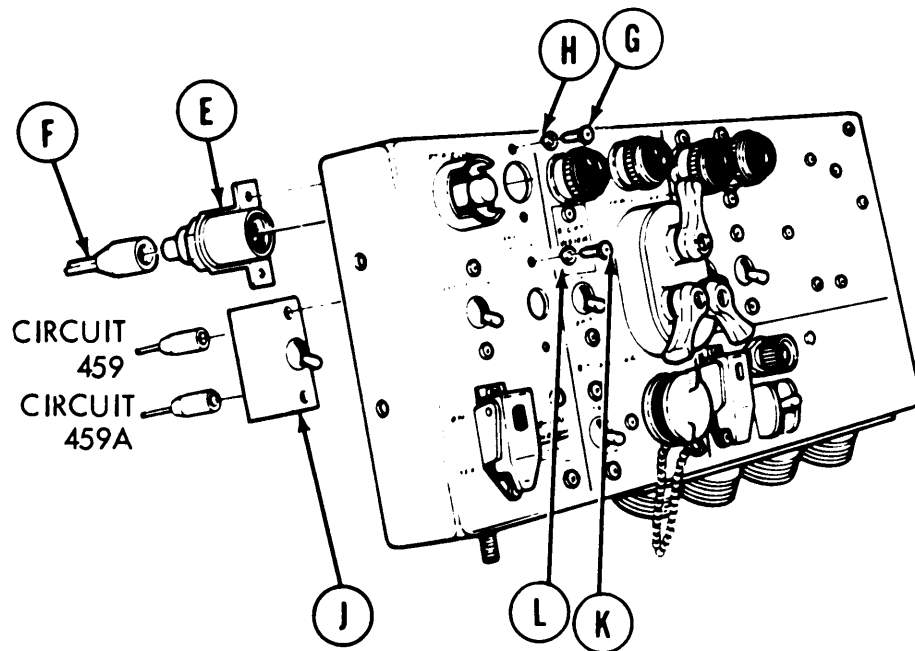


Go on to Sheet 2

TA168694

MASTER CONTROL PANEL REPAIR (Sheet 7 of 73)

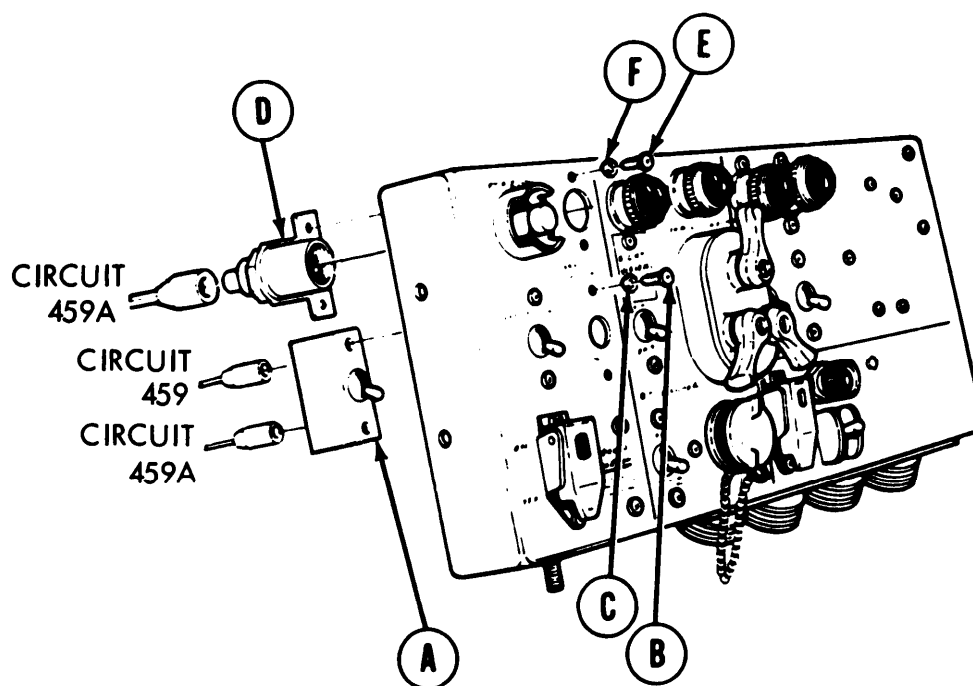
Master Battery Switch And Indicator Lamp Replacement (Sheet 2 of 4)



4. Using fingers, remove connector (F) from base assembly (E) by pulling out.
5. Using screwdriver, remove two screws (G) and lockwashers (H) securing base assembly (E) to panel.
6. Remove base assembly (E).
7. Using fingers, remove two connectors (circuits 459 and 459A) from back of switch (J) by pulling out.
8. Using screwdriver, remove two screws (K) and lockwashers (L) securing switch (J) to panel.
9. Remove switch (J).



**MASTER CONTROL PANEL REPAIR (Sheet 8 of 73)**  
**Master Battery Switch And Indicator Lamp Replacement (Sheet 3 of 4)**



**INSTALLATION:**

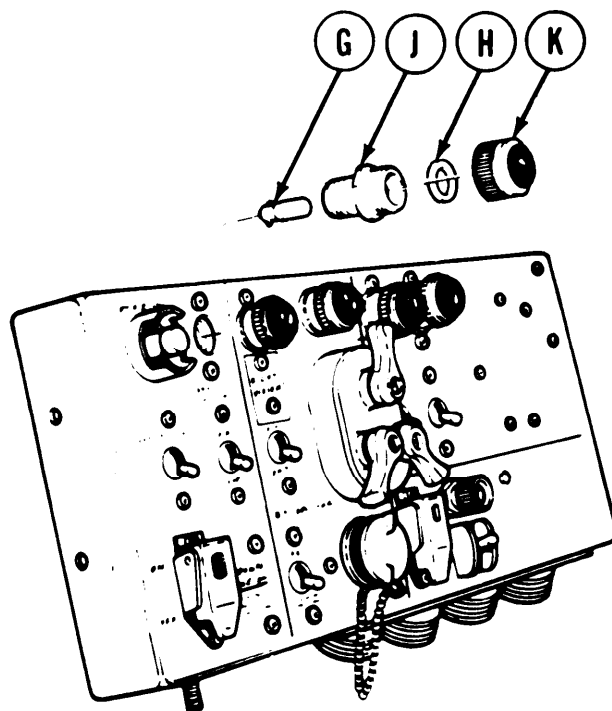
1. Apply silicone compound to two male connectors for switch (A) (circuits 459 and 459A).
2. Using fingers, install two connectors (circuits 459 and 459A) to rear of switch (A) by pushing in.
3. Place switch (A) in position on panel.
4. Using screwdriver, install two screws (B) and lockwashers (C).
5. Using fingers, install connector (circuit 459A) to rear of base assembly (D) by pushing in.
6. Place base assembly (D) in position on panel.
7. Using screwdriver, install two screws (E) and lockwashers (F) securing base assembly (D) to panel.

Go to Sheet 4

TA168696

MASTER CONTROL PANEL REPAIR (Sheet 9 of 73)  
Master Battery Switch And Indicator Lamp Replacement (Sheet 4 of 4)

8. Using fingers, install lamp (G) in position by pushing in and turning clockwise.
9. Using fingers, place packing (H) on adapter (J).
10. Using fingers, install adapter (J) and lens (K) on panel.
11. Install panel in vehicle (page 10-36).



End of Task

**MASTER CONTROL PANEL REPAIR (Sheet 10 of 73)  
 Engine Fuel Shutoff and Fuel Pump Switch Replacement (Sheet 1 of 3)**

**PROCEDURE INDEX**

PROCEDURE	PAGE
Removal	10-47
Installation	10-48

**TOOLS:** Cross-tip screwdriver

**SUPPLIES:** Silicone compound (Item 32, Appendix D)

**PRELIMINARY PROCEDURE:** Remove panel from vehicle (page 10-34).

**REMOVAL:**

1. Using fingers, remove two connectors (circuits 54 and 54A) from switch (A) by pulling out.
2. Using screwdriver, remove two screws (B) and lockwashers (C) securing switch (A) to panel.
3. Remove switch (A).
4. Using fingers, disconnect two connectors (circuits 76 and 76) from by pulling out.

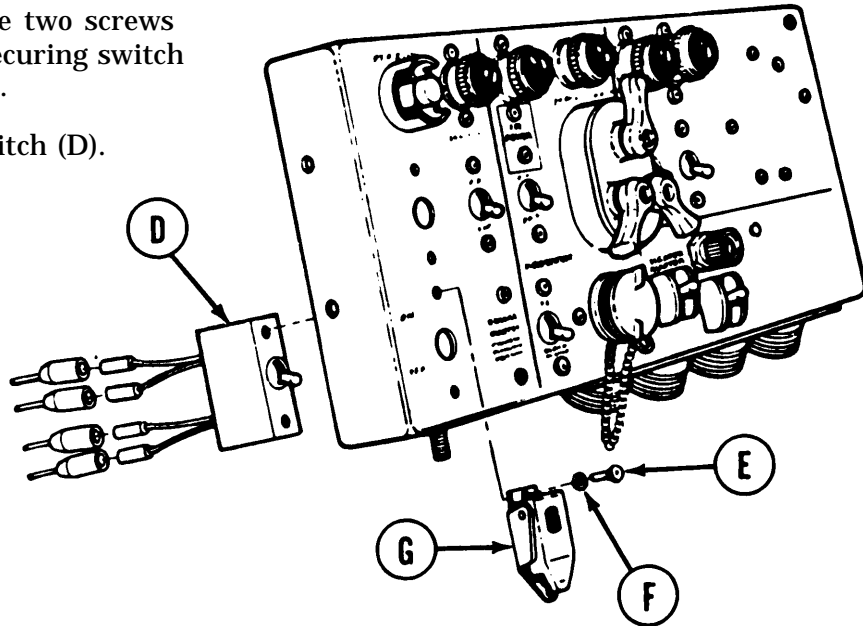
Go on to Sheet 2

TA168698

MASTER CONTROL PANEL REPAIR (Sheet 11 of 73)

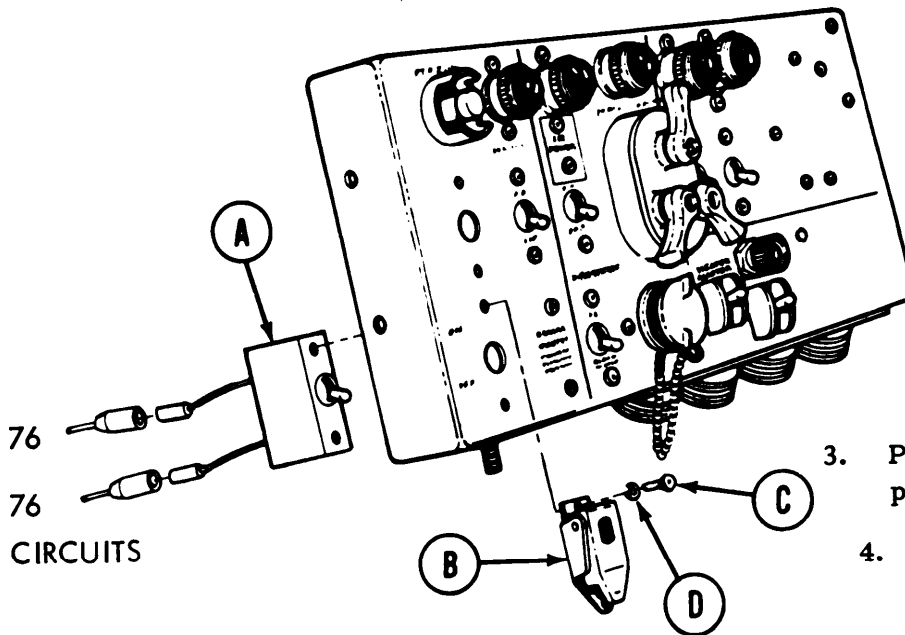
Engine Fuel Shutoff and Fuel Pump Switch Replacement (Sheet 2 of 3)

5. Using screwdriver, remove two screws (E) and lockwashers (F) securing switch (D) and guard (G) to panel.
6. Remove guard (G) and switch (D).



INSTALLATION:

1. Apply silicone compound to two male connectors.
2. Using fingers, connect two connectors (circuits 76 and 76) to switch (A).

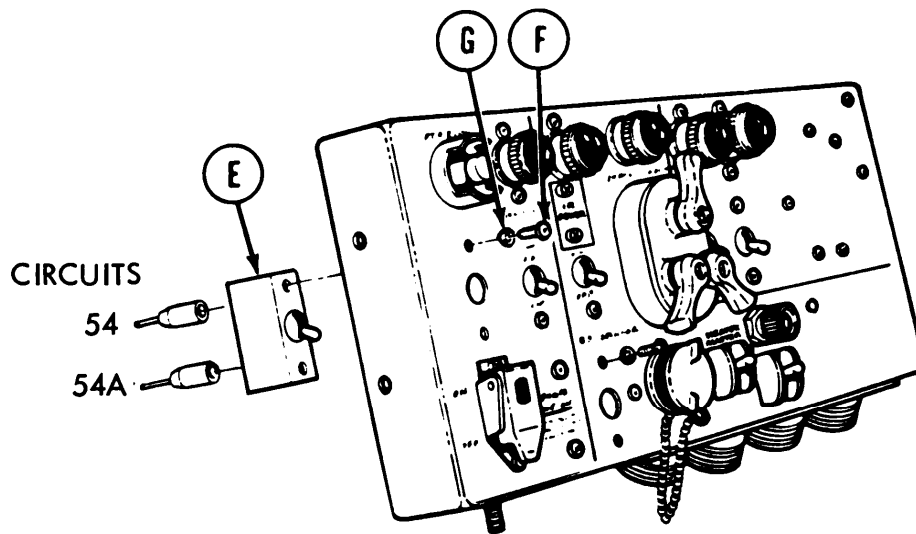


3. Place switch (A) and guard (B) in position on panel.
4. Using screwdriver, install two screws (C) and lockwashers (D).

Go on to Sheet 3

**MASTER CONTROL PANEL REPAIR (Sheet 12 of 73)**  
**Engine Fuel Shutoff and Fuel Pump Switch Replacement (Sheet 3 of 3)**

5. Apply silicone compound to two male connectors.
6. Using fingers, connect connectors (circuits 54 and 54A) to switch (E) by pushing in.
7. Place switch (E) in position on panel.
8. Using screwdriver, install two screws (F) and lockwashers (G).
9. Install panel in vehicle (page 10-36).



End. of Task

MASTER CONTROL PANEL REPAIR (Sheet 13 of 73)  
Night Vision (IR) Power Switch And Indicator Light Replacement (Sheet 1 of 4)

PROCEDURE INDEX

PROCEDURE	PAGE
Removal	10-50
Installation	10-52

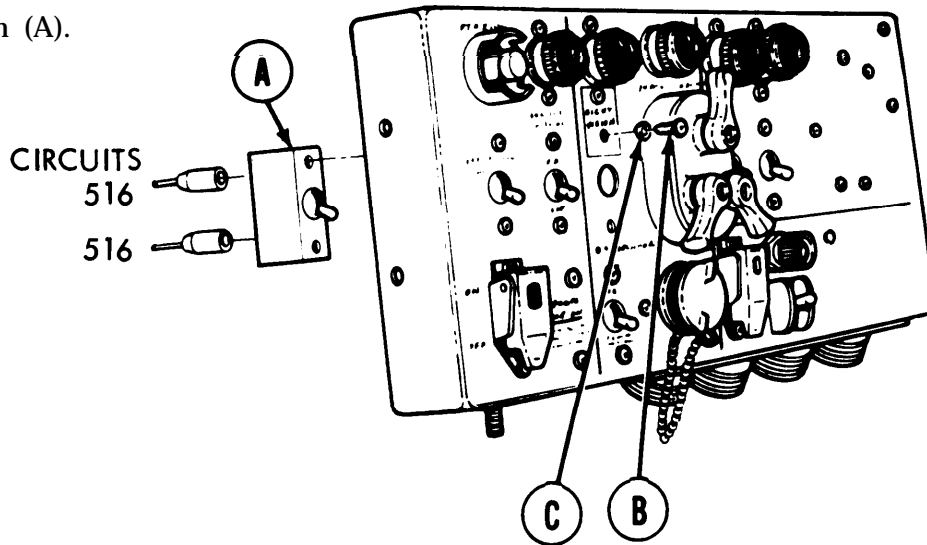
TOOLS: Cross-tip screwdriver  
10 in. adjustable wrench.

SUPPLIES: Silicone compound (Item 32, Appendh D)

PRELIMINARY PROCEDURE: Remove panel from vehicle (page 10-34).

REMOVAL:

1. Using fingers, remove two connectors from rear of switch (A).
2. Using screwdriver, remove two screws (B) and lockwashers (C) securing switch (A) to panel.
3. Remove switch (A).



Go on to Sheet 2

TA168701

**MASTER CONTROL PANEL REPAIR (Sheet 14 of 73)**

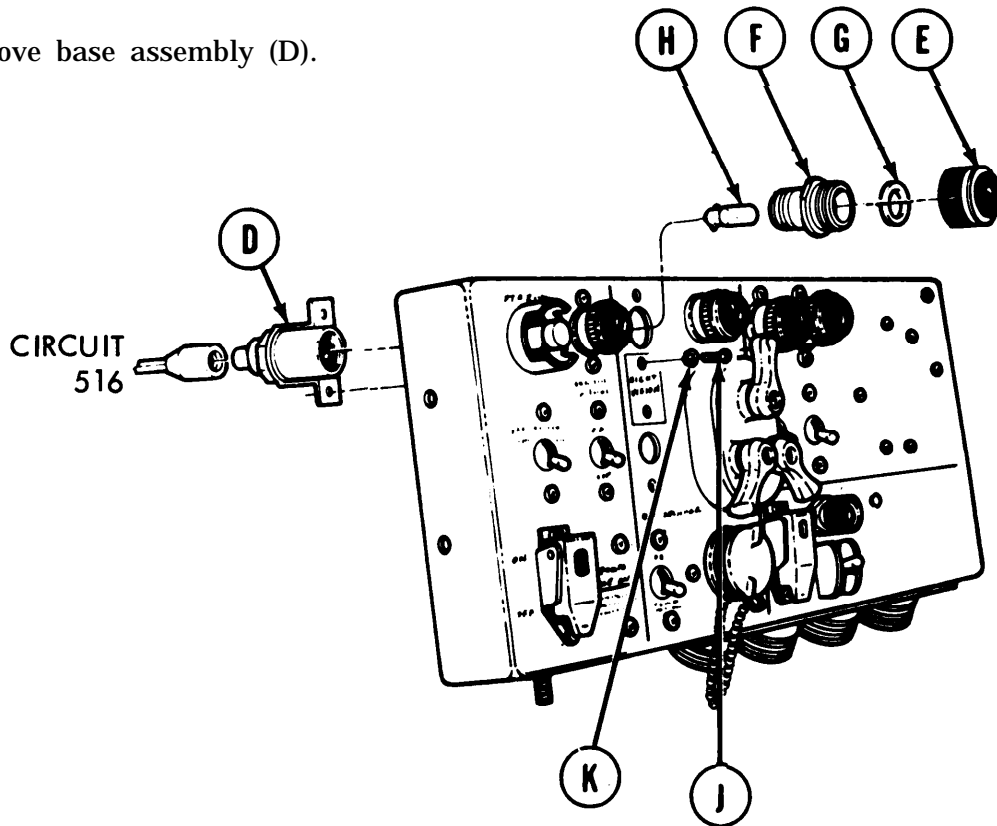
**Night Vision (IR) Power Switch And Indicator Light Replacement (Sheet 2 of 4)**

4. Using fingers, remove connector (circuit 516) from rear of base assembly (D).
5. Remove lens (E) and adapter (F) from base assembly (D) by turning counterclockwise.

**NOTE**

**If necessary, use adjustable wrench to remove adapter (F).**

6. Remove packing (G) from adapter (F).
7. Using fingers, remove lamp (H) by pushing in and turning counterclockwise.
8. Using screwdriver, remove two screws (J) and lockwashers (K) securing base assembly (D) to panel.
9. Remove base assembly (D).



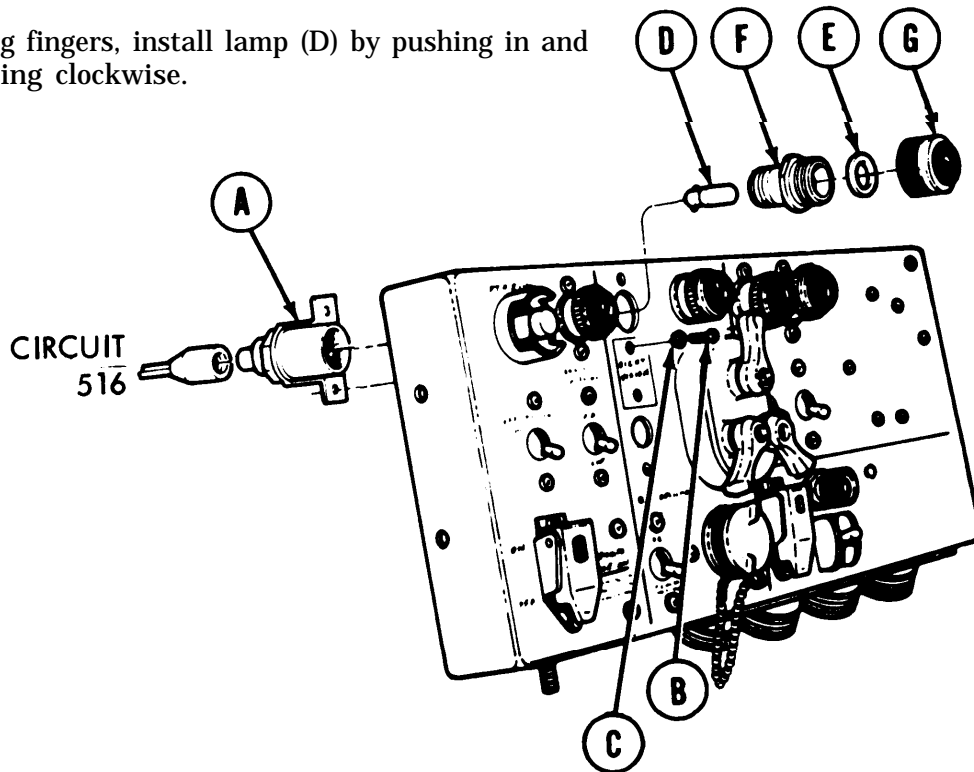
Go on to Sheet 3

TA168702

**MASTER CONTROL PANEL REPAIR (Sheet 15 of 73)**  
**Night Vision (IR) Power Switch And Indicator Light Replacement (Sheet 3 of 4)**

INSTALLATION:

1. Using fingers, connect electrical connector (circuit 516) to base assembly (A) by pushing in.
2. Place base assembly (A) in position on panel.
3. Using screwdriver, install two screws (B) and lockwashers (C) securing base assembly (A) to panel
4. Using fingers, install lamp (D) by pushing in and turning clockwise.



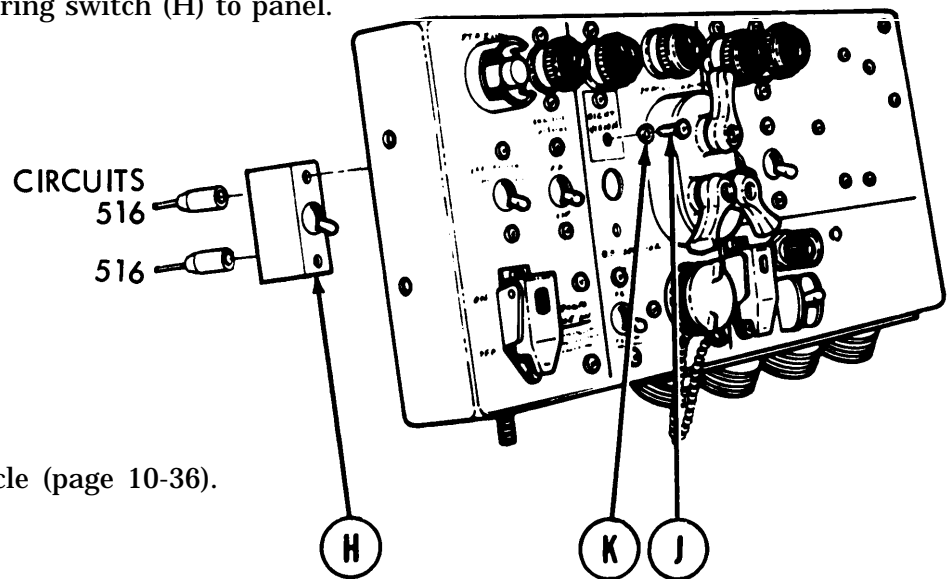
5. Using fingers, install packing (E) on adapter (F).
6. Using fingers, install adapter (F) and lens (G) in panel by turning clockwise.

Go on to Sheet 4



**MASTER CONTROL PANEL REPAIR (Sheet 16 of 73)****Night Vision (IR) Power Switch And Indicator Light Replacement (Sheet 4 of 4)**

7. Apply silicone compound to two male electrical connectors circuit 516.
8. Using fingers, connect two electrical connectors (circuit 516) to rear of switch (H) by pushing in.
9. Place switch (H) in position on panel.
10. Using screwdriver, install two screws (J) and lockwashers (K) securing switch (H) to panel.



11. Install panel in vehicle (page 10-36).

End of Task

**MASTER CONTROL PANEL REPAIR (Sheet 17 of 73)**  
**Lighting Control Switch And Hi Bean Indicator Light Replacement (Sheet 1 of 4)**

PROCEDURE INDEX

PROCEDURE	PAGE
Removal	10-54
Installation	10-56

TOOLS: Cross-tip screwdriver  
 10 in. adjustable wrench

SUPPLIES Silicone compound Item 32, Append&D)

PRELIMINARY PROCEDURE: Remove panel from vehicle (page 10-34).

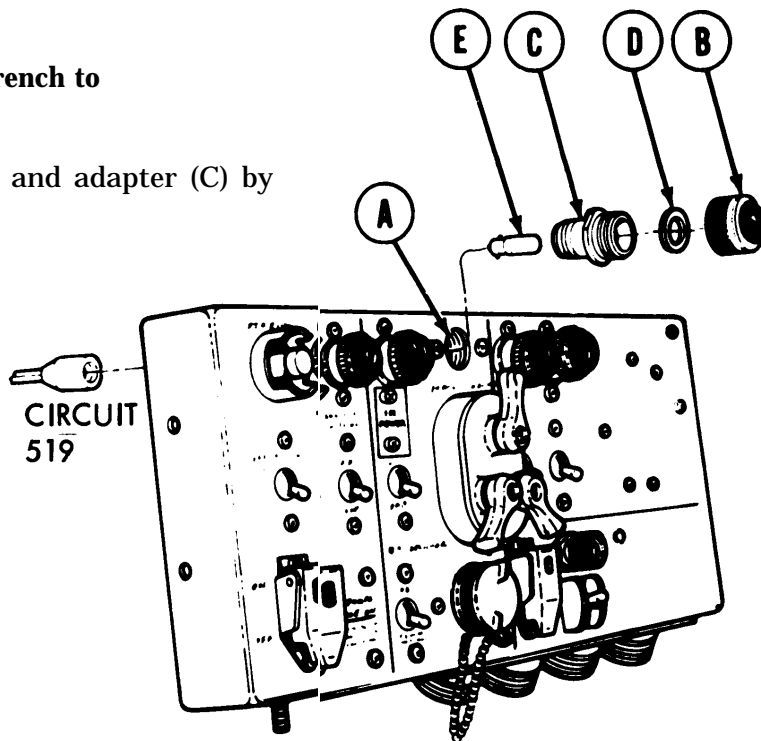
REMOVAL:

- Using fingers, disconnect electrical connector from base assembly (A) by pulling out.

NOTE

**If necessary, use adjustable wrench to remove door.**

- Using fingers, remove lens (B) and adapter (C) by turning counter clockwise.
- Remove packing (D) from adapter (C).
- Using fingers, remove lamp (E) by pushing in and turning counterclockwise.

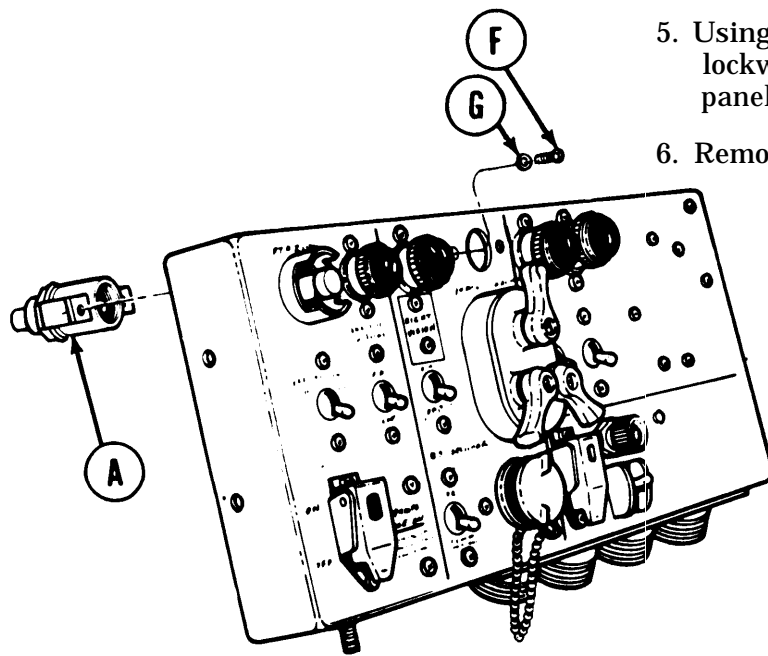


Go on to Sheet 2

TA168705

MASTER CONTROL PANEL REPAIR (Sheet 18 of 73)

Lighting Control Switch And Hi Beam Indicator Light Replacement (Sheet 2 of 4)

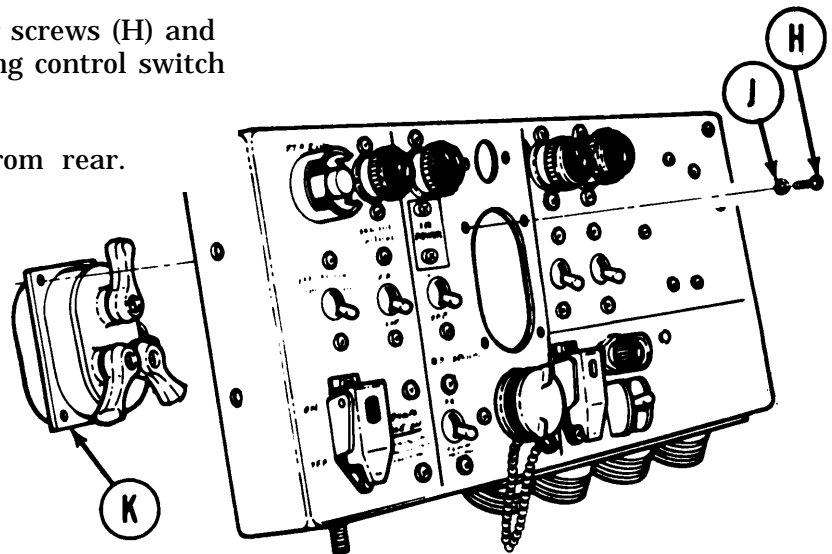


5. Using screwdriver, remove two screws (F) and lockwashers (G) securing base assembly (A) to panel.

6. Remove base assembly (A).

7. Using screwdriver, remove four screws (H) and lockwashers (J) securing lighting control switch (K) to panel.

8. Remove control switch (K). from rear.



Go on to Sheet 3

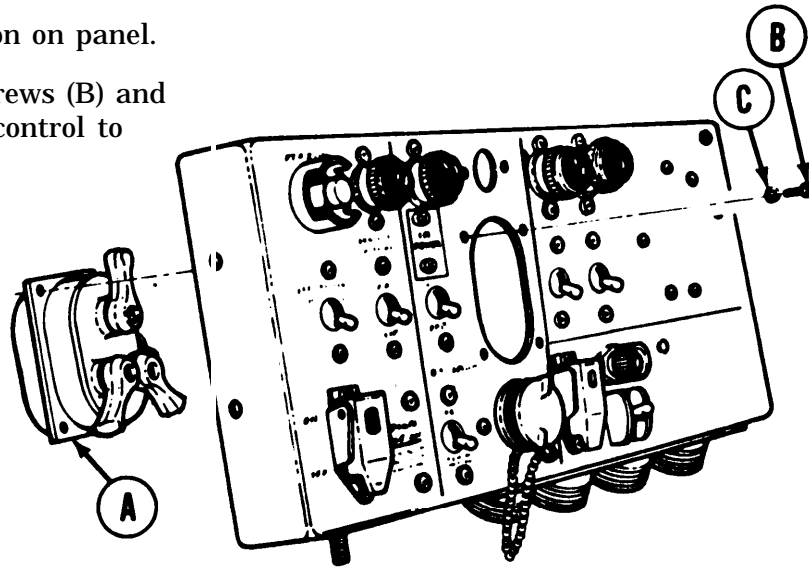
TA168706

**MASTER CONTROL PANEL REPAIR (Sheet 19 of 73)**

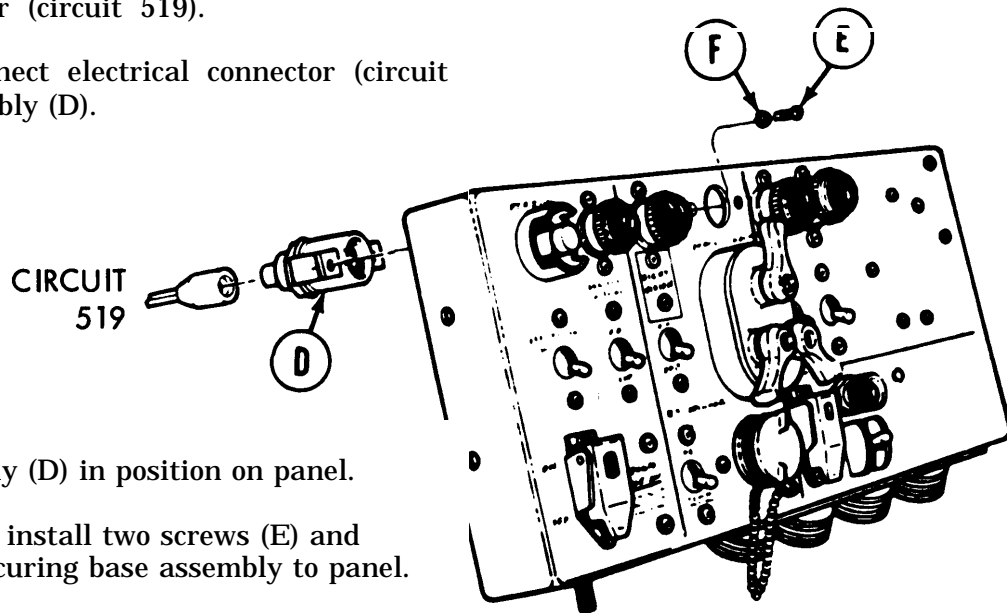
**Lighting Control Switch And Hi Bean Indicator Light Replacement (Sheet 3 of 4)**

1. Place control switch (A) in position on panel.

Using screwdriver, install four screws (B) and lockwashers (C) securing switch control to panel.



3. Apply silicone compound to base assembly electrical connector (circuit 519).
4. Using fingers, connect electrical connector (circuit 519) to base assembly (D).



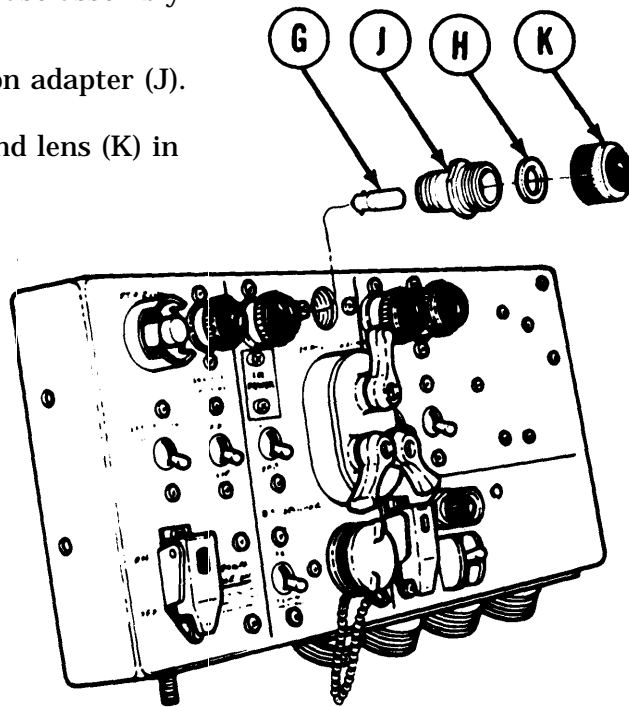
5. Place base assembly (D) in position on panel.
6. Using screwdriver, install two screws (E) and lockwashers (F) securing base assembly to panel.

Go on to Sheet 4

TA168707

**MASTER CONTROL PANEL REPAIR (Sheet 20 of 73)**  
**Lighting Control Switch And Hi Bean Indicator Light Replacement (Sheet 4 of 4)**

7. Using fingers, install lamp (G) in base assembly by pushing in turning clockwise.
8. Using fingers, install packing (H) on adapter (J).
9. Using fingers, install adapter (J) and lens (K) in panel by turning clockwise.
10. Install panel in vehicle (page 10-36).



End of Task

TA168708

**MASTER CONTROL PANEL REPAIR (Sheet 21 of 73)**  
**Blackout Selector Switch Replacement (Sheet 1 of 2)**

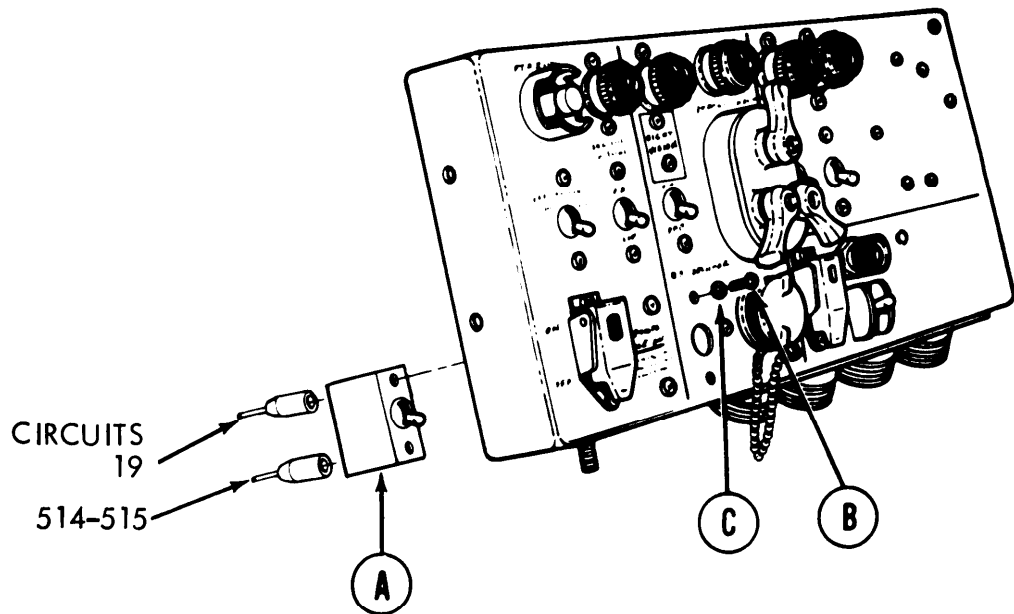
TOOLS: Cross-tip screwdriver

SUPPLIES: Silicone compound (Item 32, Appendix D)

PRELIMINARY PROCEDURE:  
Remove panel from vehicle (page 10-34).

REMOVAL:

1. Using fingers, remove two connectors from switch (A) by pulling out.
2. Using screwdriver, remove two screws (B) and lockwashers (C).
3. Remove switch (A) from panel.



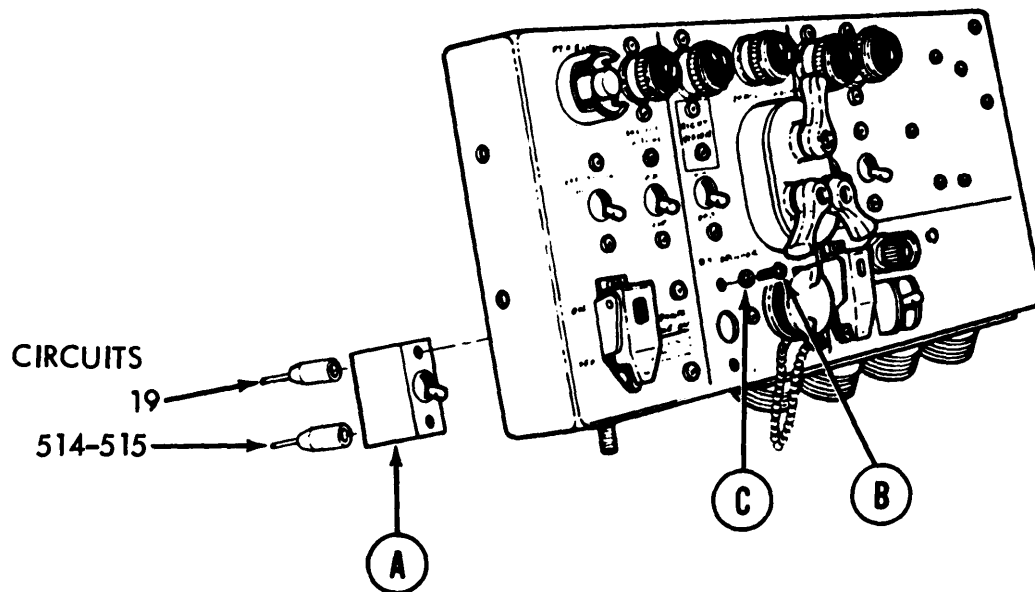
Go on to Sheet 2

TA168709

**MASTER CONTROL PANEL REPAIR (Sheet 22 of 73)**  
**Blackout Selector Switch Replacement (Sheet 2 of 2)**

INSTALLATION:

1. Apply silicone compound to three male connectors.
2. Using fingers connect connectors (circuits 19 and 514-515) to switch (A).
3. Place switch (A) in position on panel.
4. Using screwdriver, install two screws (B) and lockwashers (C) securing switch (A) to panel.
5. Install panel in vehicle (page 10-36).



End of Task

TA168710

**MASTER CONTROL PANEL REPAIR (Sheet 23 of 73)**  
**Utility Outlet Replacement (Sheet 1 of 2)**

TOOLS Cross-tip screwdriver

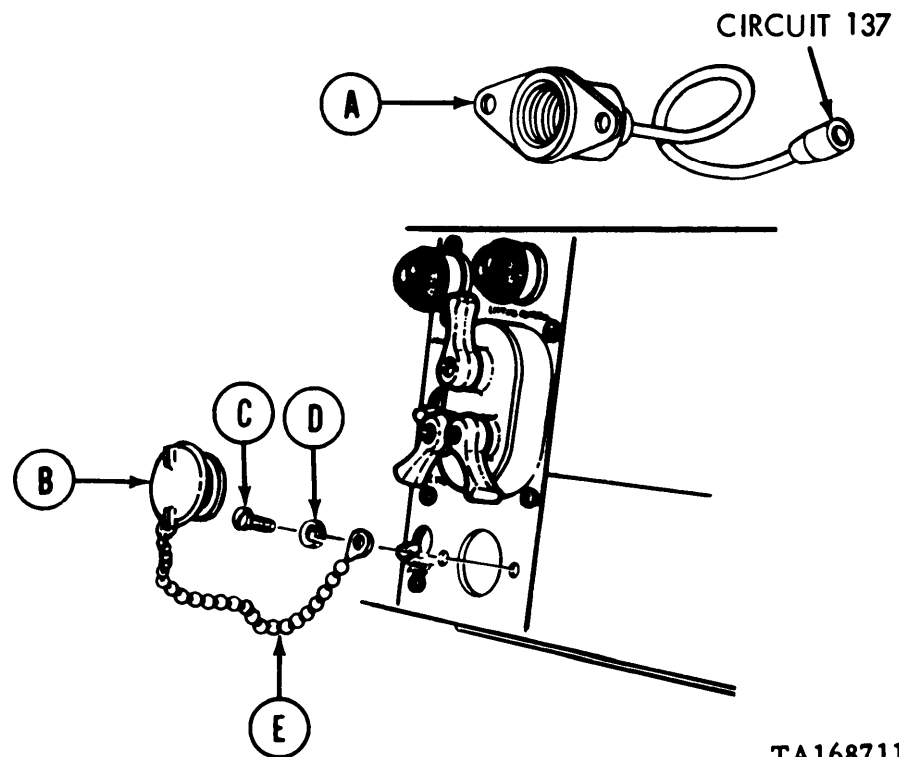
SUPPLIES: Silicone compound (Item 32, Appendix D)

PRELIMINARY PROCEDURE:

Remove panel from vehicle (page 10-34).

REMOVAL:

1. Using fingers, disconnect electrical connector from utility outlet assembly (A).
2. Using fingers, remove cap (B) by turning counterclockwise.
3. Using screwdriver, remove two screws (C) and lockwashers (D) securing utility outlet assembly (A) to panel.
4. Remove utility outlet assembly (A), cap (B) and retainer chain (E).



Go on to Sheet 2

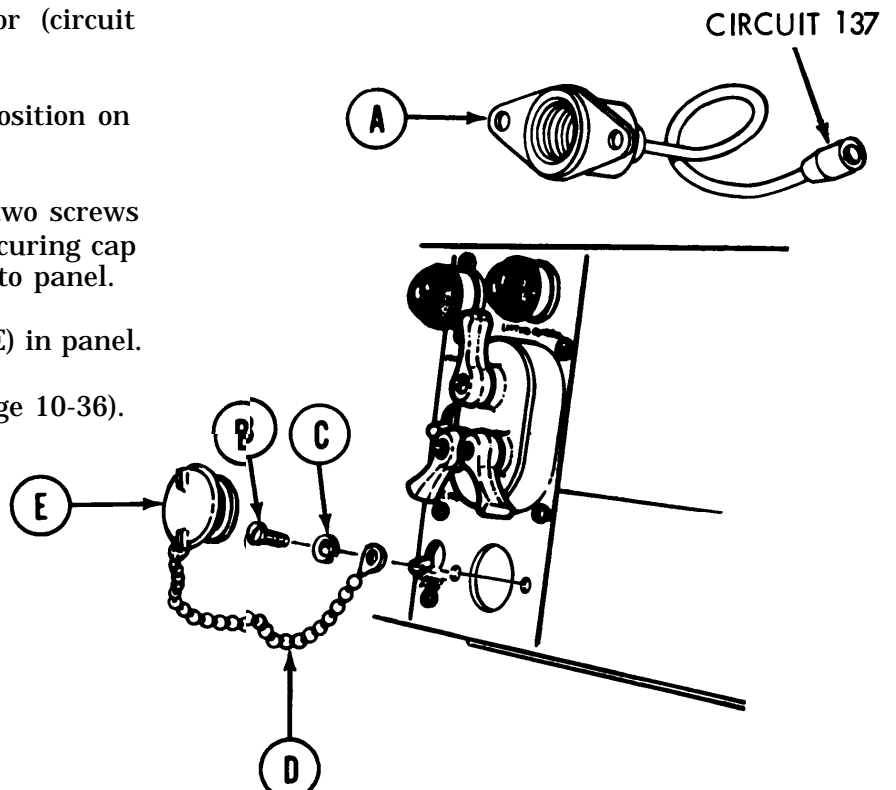
TA168711



**MASTER CONTROL PANEL REPAIR (Sheet 24 of 73)**  
**Utility Outlet Replacement (Sheet 2 of 2)**

INSTALLATION:

1. Apply silicone compound to utility outlet (A) electrical connector.
2. Connect electrical connector (circuit 137) to utility outlet (A).
3. place utility outlet (A) in position on panel.
4. Using screwdriver, install two screws (B), lockwashers (C) and securing cap chain (D) utility outlet (A) to panel.
5. Using fingers, install cap (E) in panel.
6. Install panel in vehicle (page 10-36).



End of Task

**MASTER CONTROL PANEL REPAIR (Sheet 25 of 73)**  
**Gas Particulate Switch And Indicator Light Replacement (Sheet 1 of 4)**

PROCEDURE INDEX

PROCEDURE	PAGE
Removal	10-62
Installation	10-64

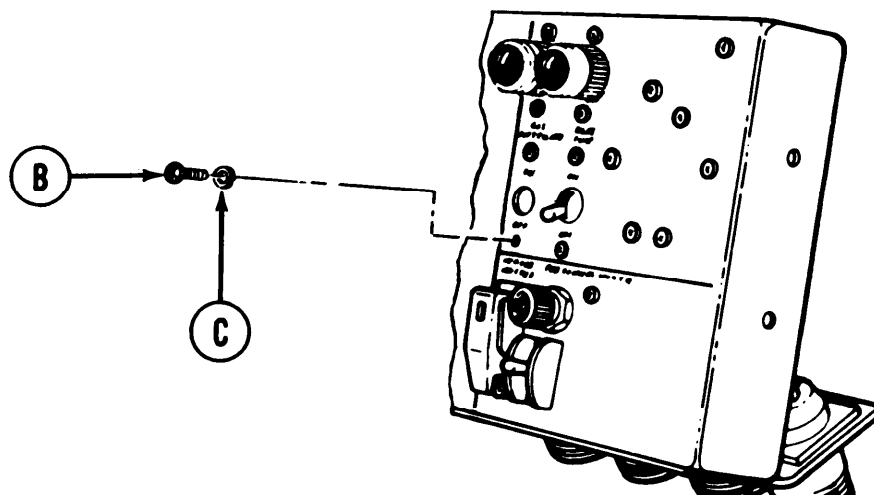
TOOLS: Cross-tip screwdriver  
10 in. adjustable wrench

SUPPLIES: Silicone compound (Item 32, Append D)

PRELIMINARY PROCEDURE:  
Remove panel from vehicle (page 10-34).

REMOVAL:

1. Using fingers, disconnect two electrical connectors from rear of switch (A) by pulling out.
2. Using screwdriver, remove two screws (B) and lockwashers (C) securing switch (A) to panel.
3. Remove switch (A).

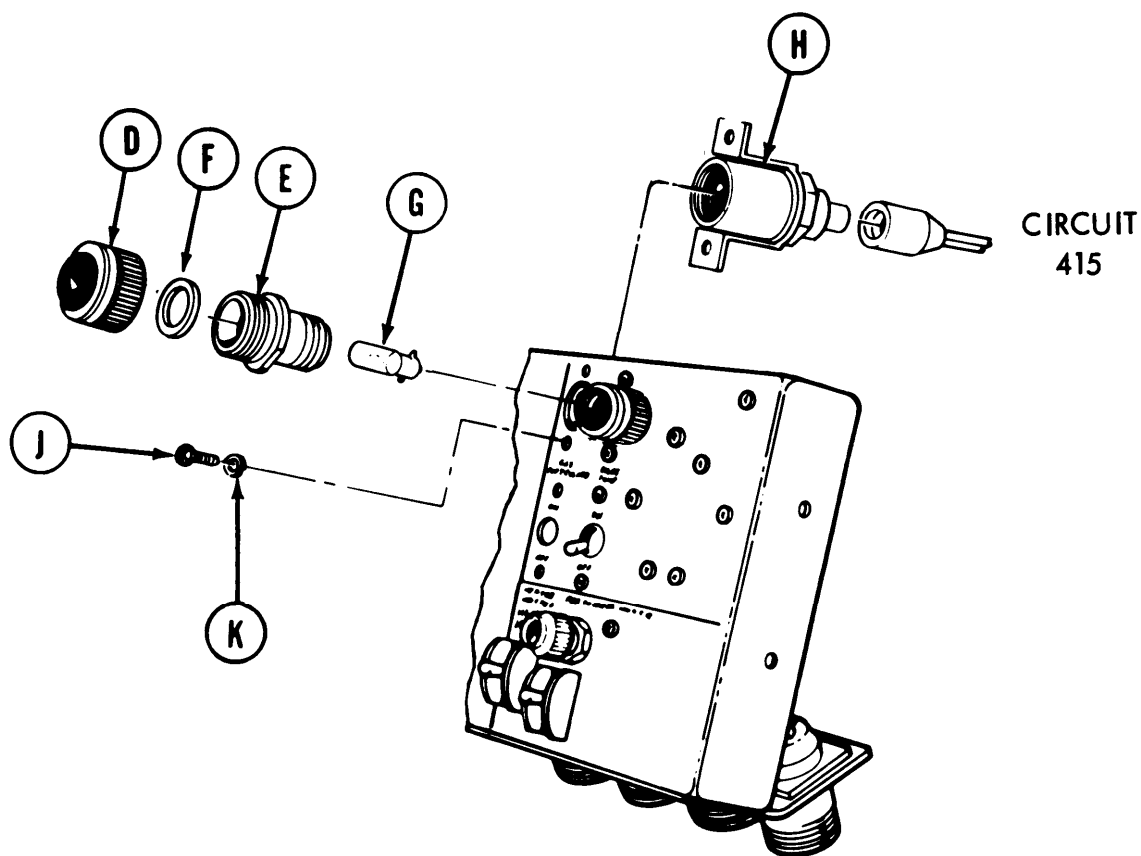


Go on to Sheet 2

TA168713

**MASTER CONTROL PANEL REPAIR (Sheet 26 of 73)**  
**Gas Particulate Switch And Indicator Light Replacement (Sheet 2 of 4)**

4. Using fingers, remove lens (D) and adapter (E) by turning counter clockwise.
5. Remove packing (F) from adapter (E).
6. Using fingers, remove lamp (G) by pushing in, turning counterclockwise.
7. Using fingers, disconnect electrical connector from rear of base assembly (H).
8. Using screwdriver, remove two screws (J) and lockwashers (K) securing base assembly (H) to panel.
9. Remove base assembly (H).



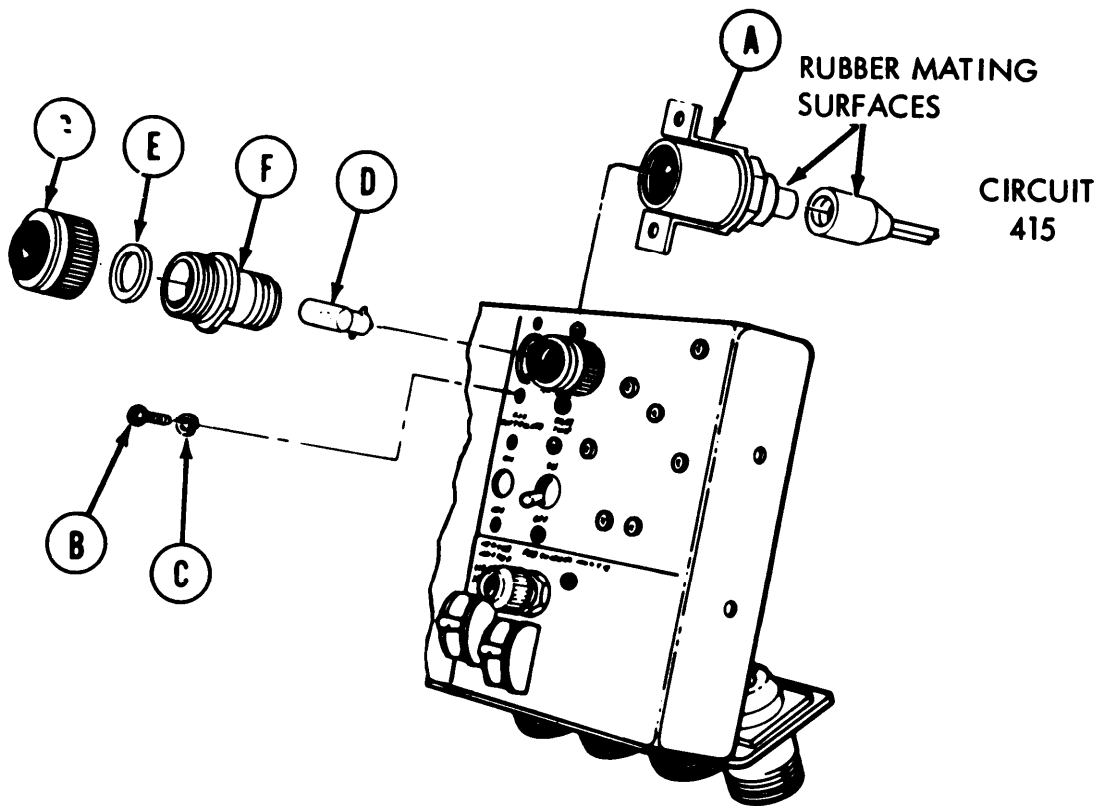
Go on to Sheet 3

TA168714

**MASTER CONTROL PANEL REPAIR (Sheet 27 of 73)**  
**Gas Particulate Switch And Indicator Light Replacement (Sheet 3 of 4)**

INSTALLATION:

1. Apply silicone compound to rubber mating surfaces of connectors.
2. Using fingers, connect electrical connector (circuit 415) to rear of base assembly (A) by pushing in.
3. Place base assembly (A) in position on panel.
4. Using screwdriver install two screws (B) and lockwashers (C) securing base assembly (A) to panel.
5. Using fingers, install lamp (D) by pushing in, turning clockwise.
6. Using fingers, place packing (E) on adapter (F).
7. Using fingers, install adapter (F) and lens (G) in panel by turning clockwise.

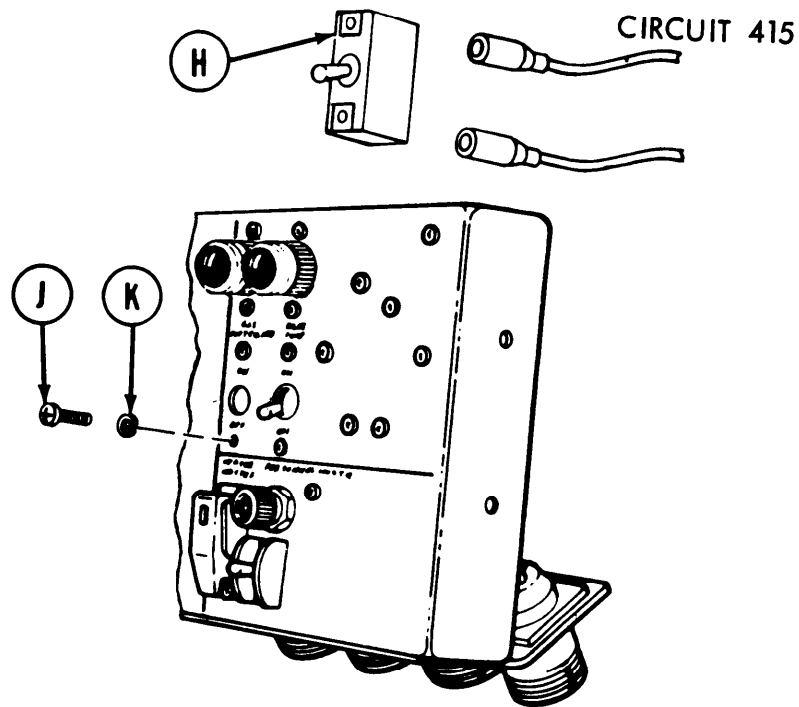


Go on to Sheet 4

TA168715

**MASTER CONTROL PANEL REPAIR (Sheet 28 of 73)**  
**Gas Particulate Switch And Indicator Light Replacement (Sheet 4 of 4)**

8. Apply silicone compound to two male electrical connectors (circuit 415).
9. Using fingers, connect two male connectors (circuit 415) to switch (H) by pushing in.
10. Place switch (H) in position on panel.
11. Using screwdriver, install two screws (J) and lockwashers (K) securing switch (H) to panel.
12. Install panel in vehicle (page 10-36).



End of Task

TA168716

**MASTER CONTROL PANEL REPAIR (Sheet 29 of 73)**  
**Bilge Pump Switch And Indicator Light Replacement (Sheet 1 of 4)**

PROCEDURE INDEX

PROCEDURE	PAGE
Removal	10-66
Installation	10-68

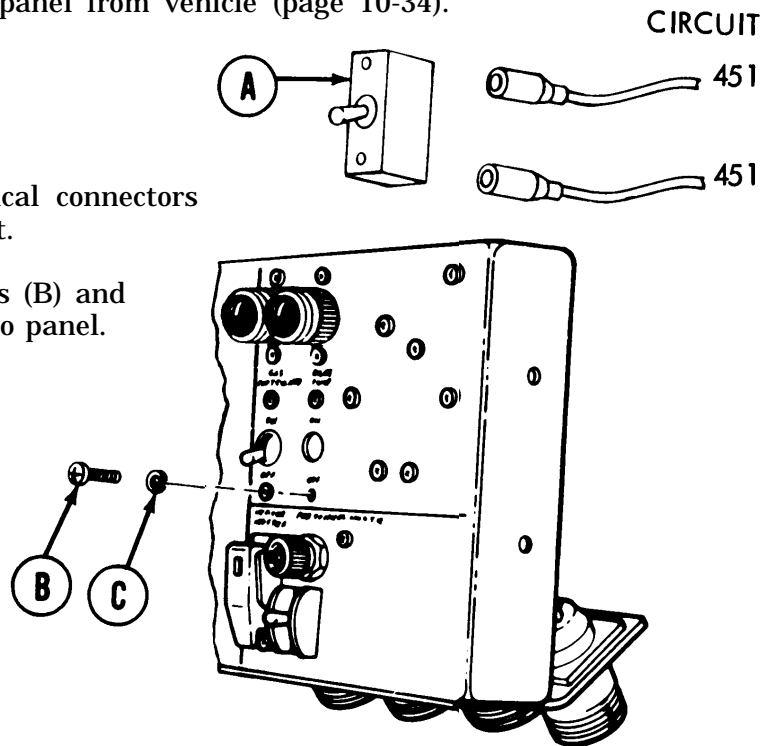
TOOLS: Cross-tip screwdriver  
 10 in. adjustable wrench  
 Long round nose pliers

SUPPLIES: Silicone compound (Item 32, Appendix D)

PRELIMINARY PROCEDURE: Remove panel from vehicle (page 10-34).

REMOVAL:

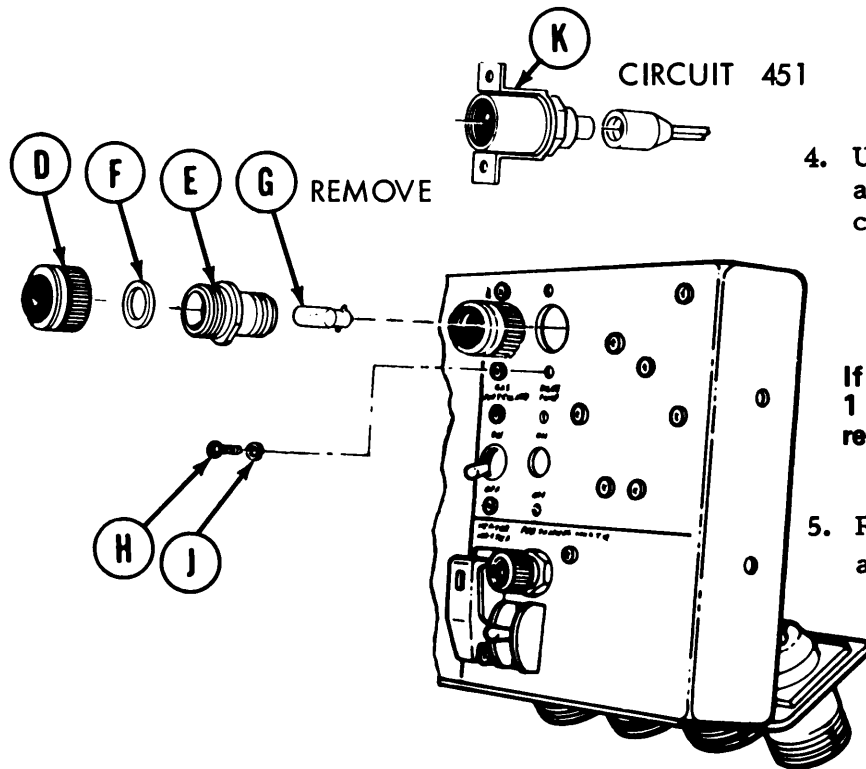
1. Using fingers, disconnect two electrical connectors from rear of switch (A) by pulling out.
2. Using screwdriver, remove two screws (B) and lockwashers (C) securing switch (A) to panel.
3. Remove switch (A).



Go on to sheet 2

TA168717

**MASTER CONTROL PANEL REPAIR (Sheet 30 of 73)**  
**Bilge Pump Switch And Indicator Light Replacement (Sheet 2 of 4)**



- Using fingers, remove lens (D) and adapter (E) by turning counter-clockwise.

**NOTE**

If necessary, use adjustable wrench, 1 inch combination wrench, to remove adapter (E).

- Remove packing (F) from adapter (E).

- Using fingers, remove lamp (G) by pushing in, turning counterclockwise.
- Using screwdriver, remove two screws (H) and lockwashers (J) securing base assembly (K) to panel.
- Remove base assembly (K).
- Using fingers, remove electrical connector from rear of base assembly (K) by pulling out.

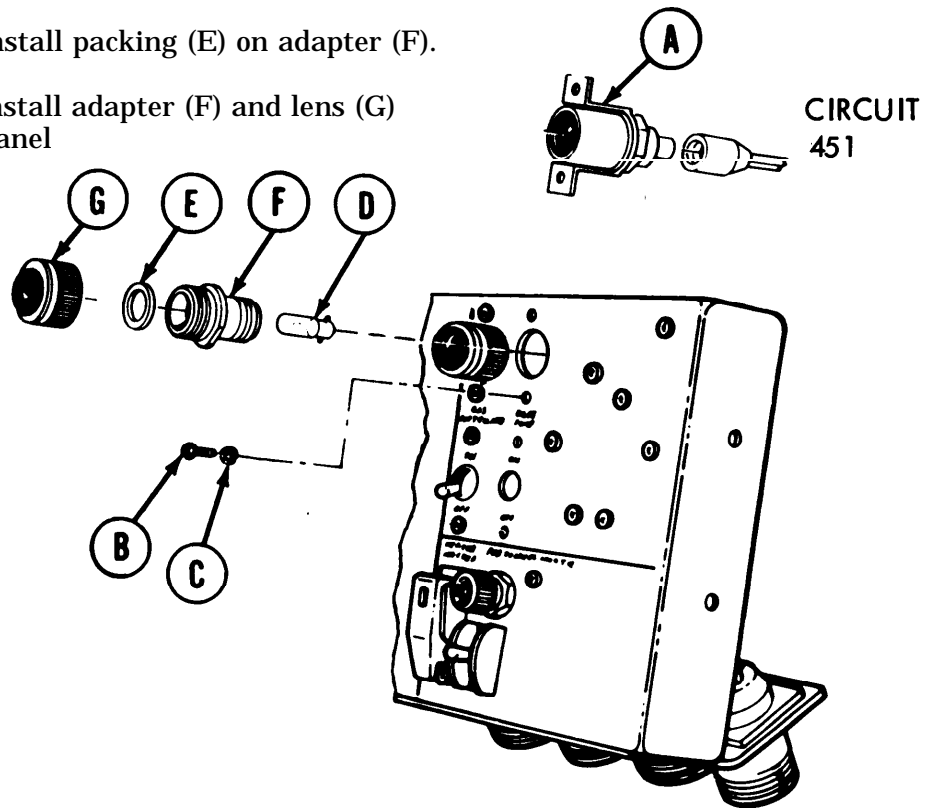
Go on to Sheet 3

TA168718

**MASTER CONTROL PANEL REPAIR (Sheet 31 of 73)**  
**Bilge Pump Switch And Indicator Light Replacement (Sheet 3 of 4)**

INSTALLATION:

1. Using fingers, connect electrical connector (circuit 451) to rear of base assembly (A) by pushing in.
2. Place base assembly (A) in position on panel
3. Using screwdriver, install two screws (B) and lockwashers, (C) securing base assembly (A) to panel.
4. Using fingers, install lamp (D) by pushing in and turning clockwise.
5. Using fingers, install packing (E) on adapter (F).
6. Using fingers, install adapter (F) and lens (G) in position on panel

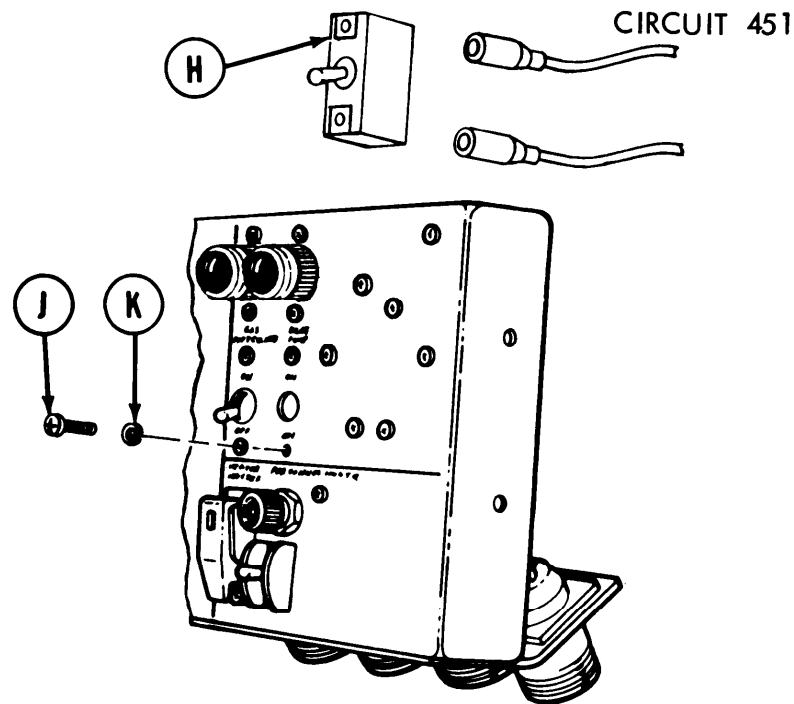


Go on to Sheet 4



**MASTER CONTROL PANEL REPAIR (Sheet 32 of 73)**  
**Bilge Pump Switch And Indicator Light Replacement (Sheet 4 of 4)**

7. Apply silicone compound to two electrical connectors (circuits 451).
8. Using fingers, connect two electrical connectors, (circuit 451) to rear of switch (H) by pushing in.
9. Place switch (H) in position on panel.
10. Using screwdriver, install two screws (J) and lockwashers (K) securing switch (H) to panel.



Install panel in vehicle (page 10-36).

End of Task

TA168720

MASTER CONTROL PANEL REPAIR (Sheet 33 of 73)  
 Circuit Breaker Replacement (Sheet 1 of 7)

PROCEDURE INDEX

PROCEDURE	PAGE
Removal (A, B, C, and E)	10-71
Installation (A,B,C, and E)	10-71
Removal (D)	10-72
Installation (D)	10-73
Removal (F)	10-74
Installation (F)	10-75
Removal (G)	10-76
Installation (G)	10-76

TOOLS: 3/8 in. socket with 1/2 in. drive  
 Ratchet with 1/2 in. drive  
 Cross-tip screwdriver  
 11/32 in. wrench

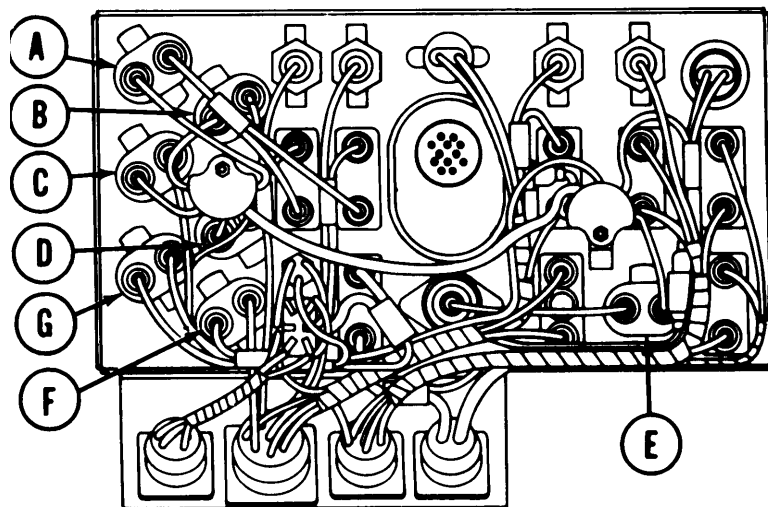
4 in. flat-tip screwdriver

SUPPLIES: Silicone compound (Item 32, Appendix D)

PRELIMINARY PROCEDURE: Remove panel from vehicle (page 10-34).

**NOTE**

There are seven circuit breakers located in the master control panel. Five circuit breakers (gas particulate (A), I R (night vision), power (B), fuel shut-off (C), fuel pump (D) and bilge pump and utility outlet (E)) are replaced by removing mounting screws from the front of the panel. Two circuit breakers (gage (F) and manifold pre-heat (G)) are replaced by mounting screws from the rear of the panel.



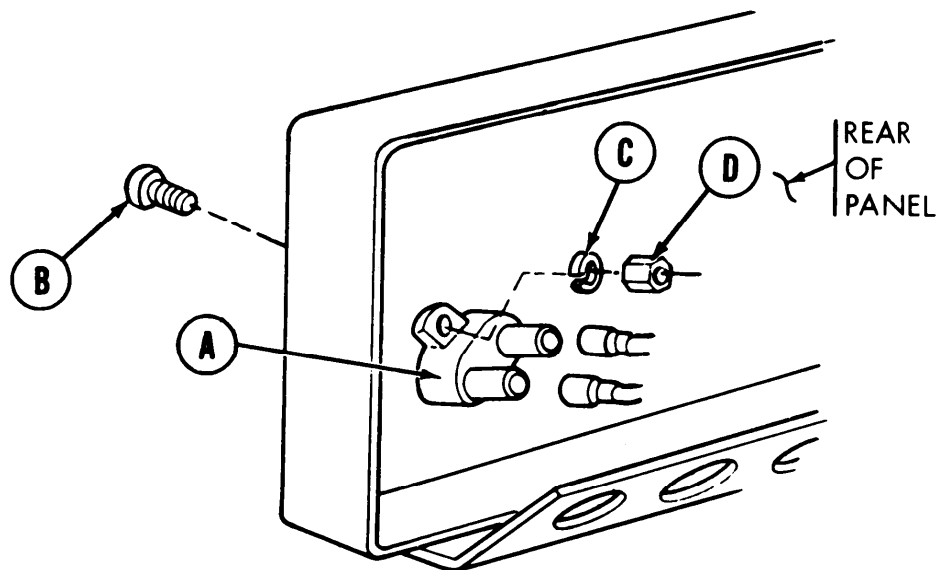
Go on to Sheet 2

TA168721

**MASTER CONTROL PANEL REPAIR (Sheet 34 of 73)**  
**Circuit Breaker Replacement (Sheet 2 of 7)**

**REMOVAL; CIRCUIT BREAKERS (A,B,C, AND E):**

1. Using fingers, remove two electrical connectors from rear of circuit breaker (A) by pulling out.
2. Using cross-tip screwdriver and wrench remove two screws (B), lockwashers (C), and nuts (D) securing circuit breaker (A) to panel.
3. Remove circuit breaker (A).



**INSTALLATION; CIRCUIT~ BREAKERS (A,B,C, AND E):**

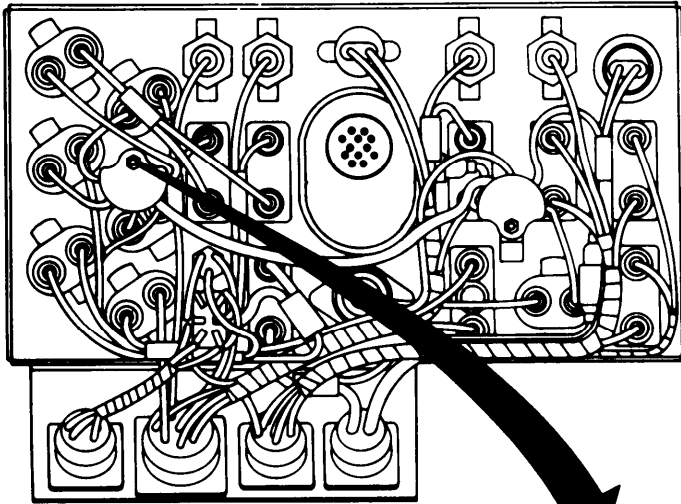
1. Place circuit breaker (A) in position on panel.
2. Using cross-tip screwdriver and wrench install two screws (B), lockwashers (C), and nuts (D).
3. Apply silicone compound to two male electrical connectors for circuit breaker (A).
4. Using fingers, connect two electrical connectors in rear of circuit breaker (A) by pushing in.

Go on to Sheet 3

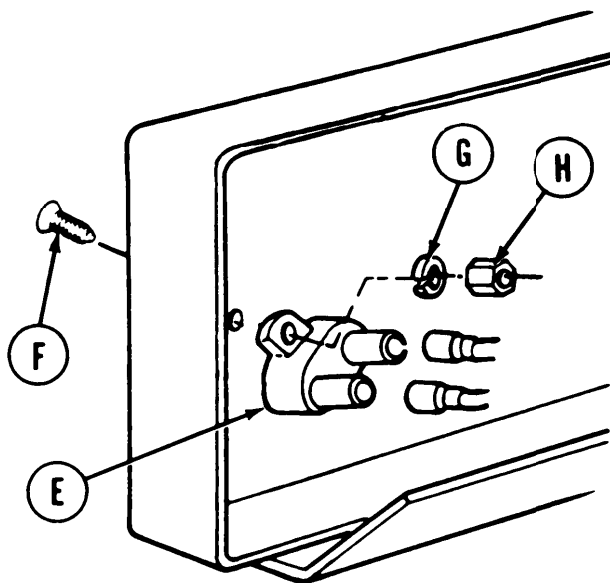
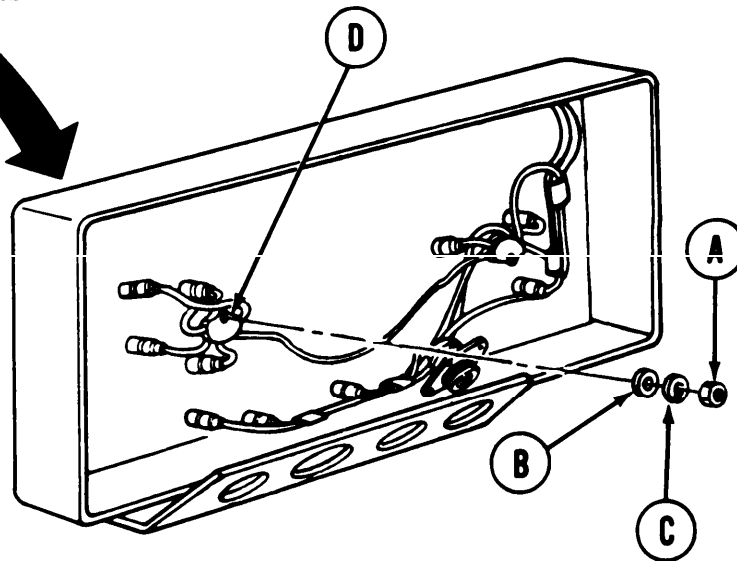
TA168722

**MASTER CONTROL PANEL REPAIR (Sheet 35 of 73)**  
**Circuit Breaker Replacement (Sheet 3 of 7)**

**REMOVAL; CIRCUIT BREAKER (D):**



1. Using socket, remove nut (A), flatwasher (B), and lockwasher (C) securing harness junction (D) to panel.
2. Lift harness junction (D) off stud and position aside.



3. Using fingers, remove two electrical connectors from rear of circuit breaker (E) by pulling out.
4. Using cross-tip screwdriver and wrench remove two screws (F), lockwashers (G), and nuts (H) securing circuit breaker (E) to panel.
5. Remove circuit breaker (E).

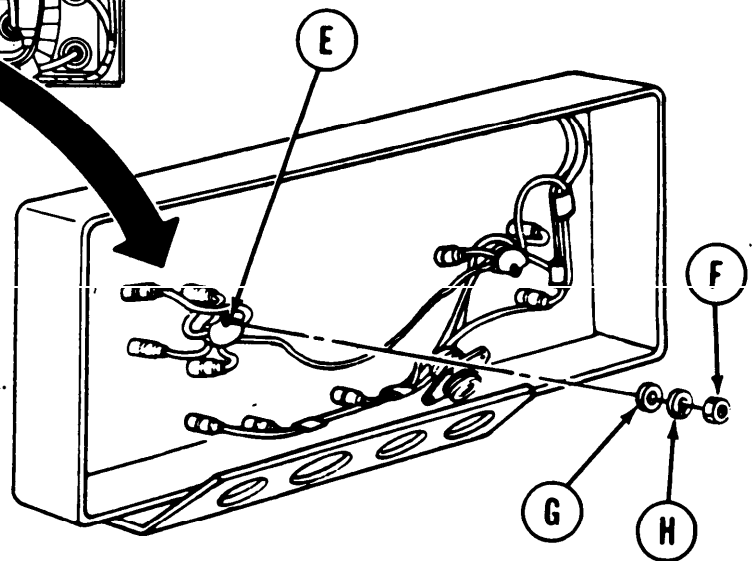
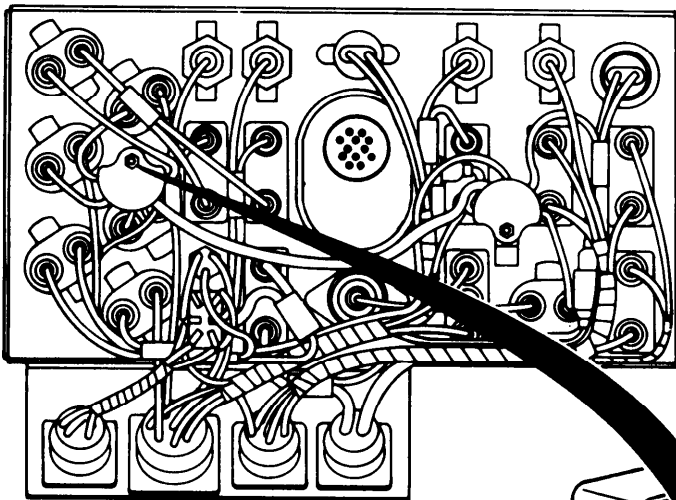
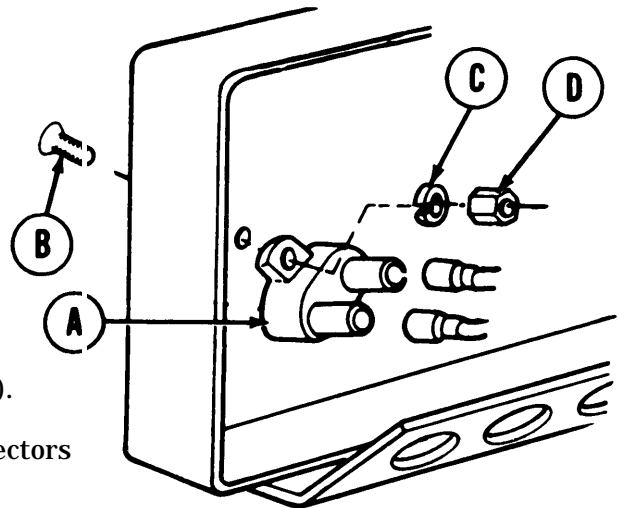
Go on to Sheet 4

TA168723

**MASTER CONTROL PANEL REPAIR (Sheet 36 of 73)**  
**Circuit Breaker Replacement (Sheet 4 of 7)**

**INSTALLATION; CIRCUIT BREAKER (D):**

1. Place circuit breaker (.4) in position on panel.
2. Using cross-t tip scredriver and wrench, install two screws (B), new lockwashers (C), and nuts (D).
3. Apply silicone compound to two male electrical connectors for circuit breaker (A).
4. Using fingers, connect two electrical connectors in rear of circuit breaker (A) by pushing in.



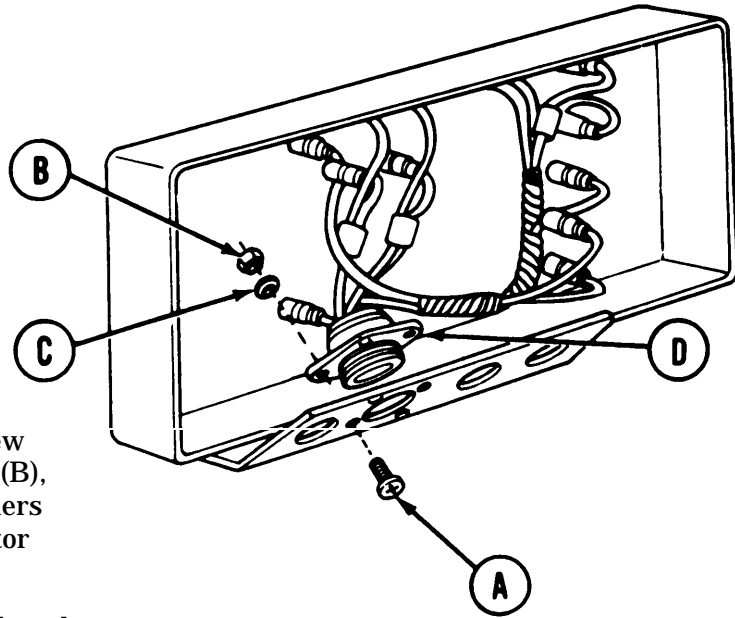
5. Position harness junction (E) onto stud.
6. Using socket, install nut (F), flatwasher (G), and lockwasher (H) securing harness junction (E) to panel.

Go on to Sheet 5

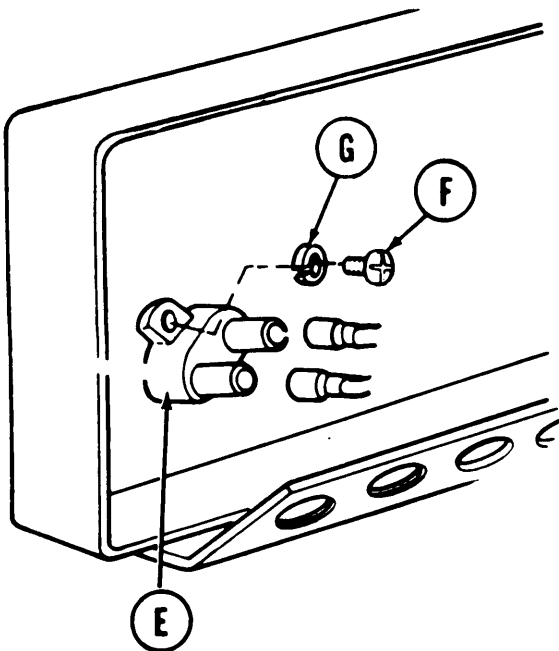
TA168724

MASTER CONTROL PANEL REPAIR (Sheet 37 of 73)  
Circuit Breaker Replacement (Sheet 5 of 7)

REMOVAL; CIRCUIT BREAKER (F):



1. Using flat-tip screwdriver on screw (A) and 11/32 inch wrench on nut (B), remove four screws (A), lockwashers (C), and nuts (B) securing connector (D) to panel.
2. Remove connector (D) from panel and position aside.



Using fingers, remove two electrical connectors from rear of circuit breaker (E) by pulling out.

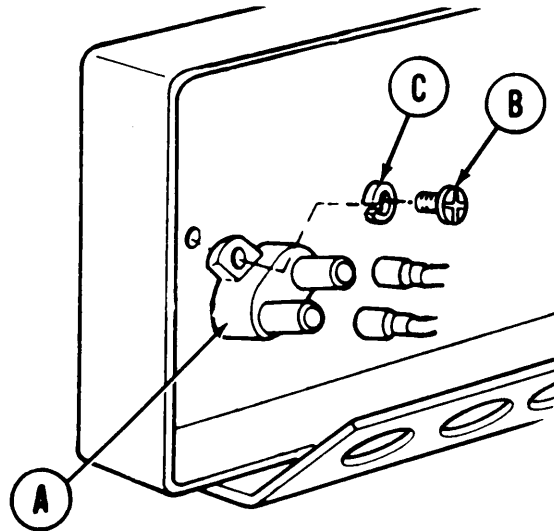
4. Using cross-tip screwdriver, remove two screws (F) and lockwashers (G) securing circuit breaker (E) to panel.
5. Remove circuit breaker (E).

Go on to Sheet 6

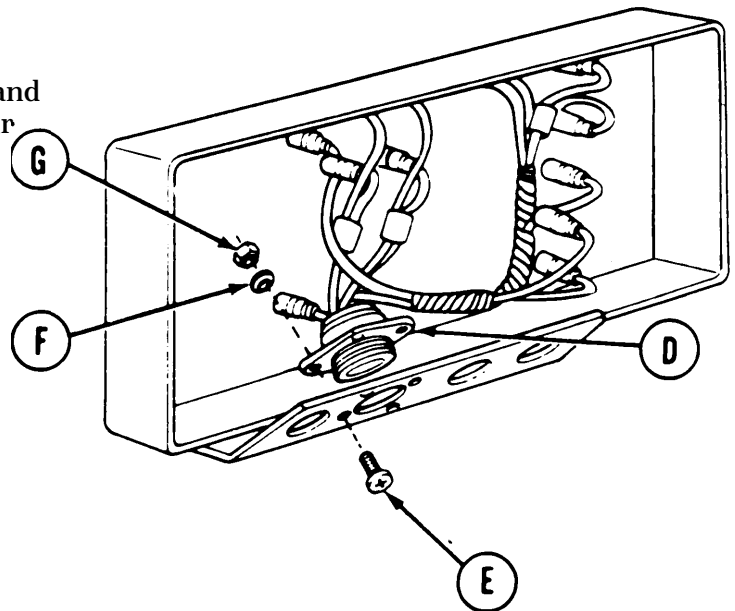
TA168725

**MASTER CONTROL PANEL REPAIR (Sheet 38 of 73)**  
**Circuit Breaker Replacement (Sheet 6 of 7)**

INSTALLATION; CIRCUIT BREAKER (F) :



1. Place circuit breaker (A) in position on panel.
2. Using cross-tip screwdriver, install two screws (B) and lockwashers (C).
3. Apply silicone compound to two male electrical connectors on circuit breaker (A).
4. Using fingers, connect two electrical connectors in rear of circuit breaker (A) by pushing in.
5. Position connector (D) to panel.
6. Using flat-tip screwdriver on screws and wrench on nuts, install and secure four screws (E), lockwashers (F), and nuts (G).



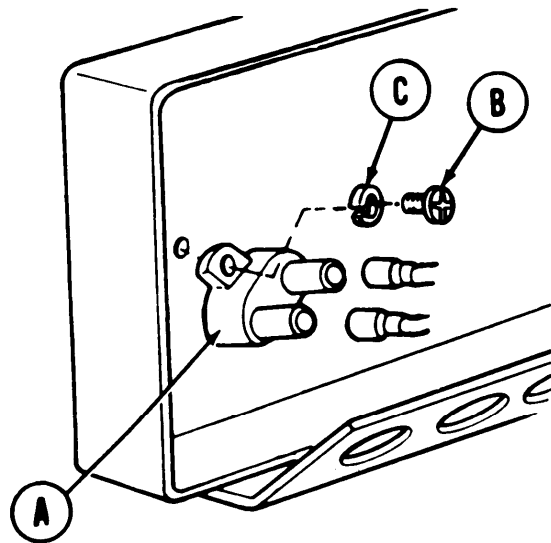
Go on to Sheet 7

TA168726

**MASTER CONTROL PANEL REPAIR (Sheet 39 of 73)**  
**Circuit Breaker Replacement (Sheet 7 of 7)**

**REMOVAL; CIRCUIT BREAKER (G):**

1. Using fingers, disconnect two electrical connectors from rear of circuit breaker (A) by pulling out.
2. Using cross-tip screwdriver, remove two screws (B) and lockwashers (C) securing circuit breaker (A) to panel.
3. Remove circuit breaker (A).



**INSTALLATION: CIRCUIT BREAKER (G):**

1. Place circuit breaker (A) in position on panel.
2. Using cross-tip screwdriver, install two screws (B) and lockwashers (C) securing circuit breaker (A) to panel.
3. Apply silicone compound to two male electrical connectors for circuit breaker (A).
4. Using fingers, connect two electrical connectors in rear of circuit breaker (A).
5. Install panel in vehicle (page 10-36).

End of Task

TA168727



**MASTER CONTROL PANEL REPAIR (Sheet 40 of 73)**  
**Master Heater Switch, Hi-Lo Switch And Indicator Light Replacement (Sheet 1 of 8)**

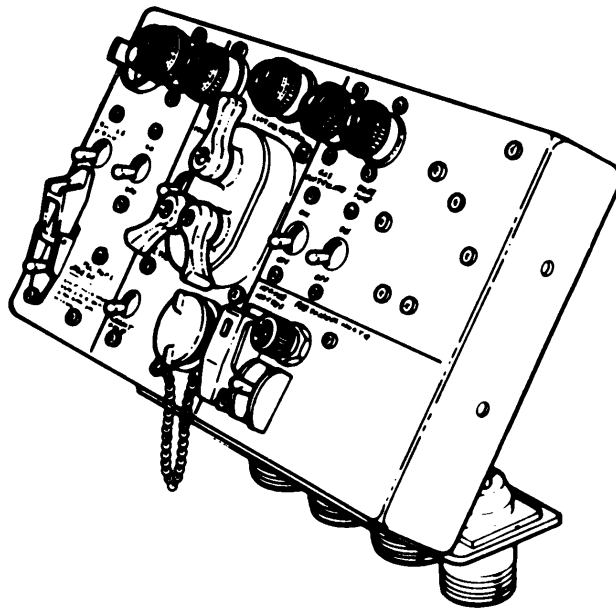
PROCEDURE INDEX

PROCEDURE	PAGE
Removal	10-78
Installation	10-81

**TOOLS:** Ratchet with 1/2 in. drive  
 3/4 in. socket with 1/2 in. drive  
 Long round nose pliers  
 Flat-tip screwdriver  
 Cross-tip screwdriver  
 11/32 in. open end wrench

**SUPPLIES:** Silicone compound (Item 32, Appendix D)

**PRELIMINARY PROCEDURE:** Remove panel from vehicle (page 10-34).

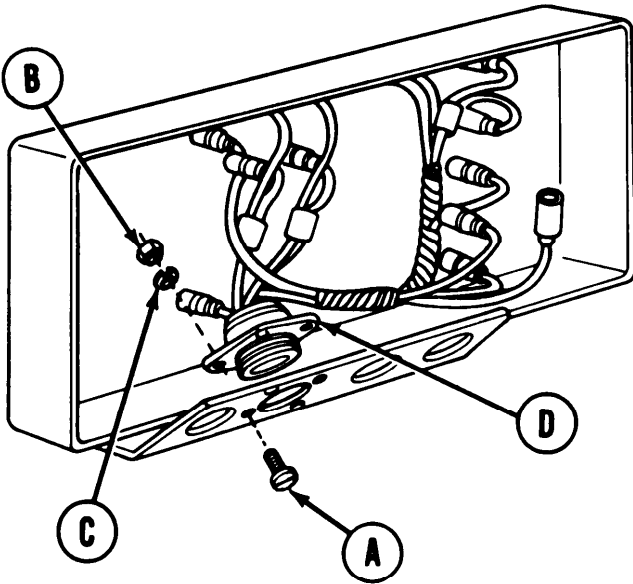


Go on to Sheet 2

TA168728

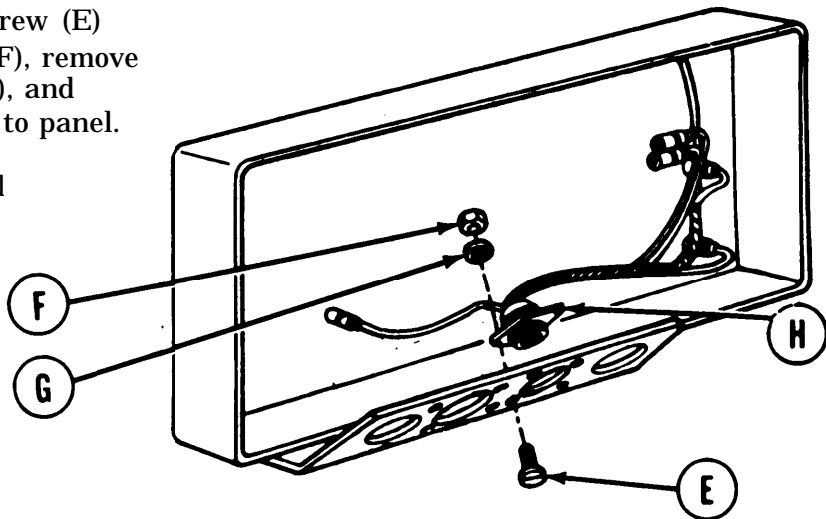
**MASTER CONTROL PANEL REPAIR (Sheet 41 of 73)**  
**Minter Heater Switch, Hi-Lo Switch And Indicator Light Replacement (Sheet 2 of 8)**

REMOVAL:



1. Using flat-tip screwdriver on screws (A) and 11/32 inch wrench on nuts (B), remove four screws (A), lockwashers (C), and nuts (B) securing connector (D) to panel.
2. Remove connector (D) from panel and position aside.

3. Using flat-tip screwdriver on screw (E) and 11/32 inch wrench on nut (F), remove four screws (E), lockwashers (G), and nuts (F) securing connector (H) to panel.
4. Remove connector (H) from panel and position aside.

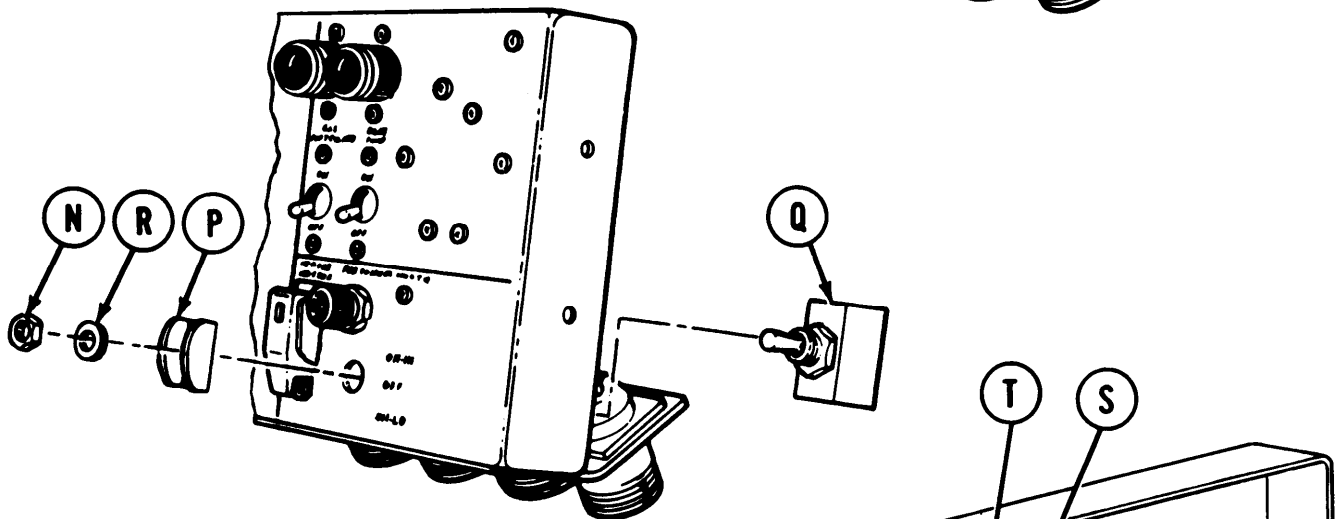
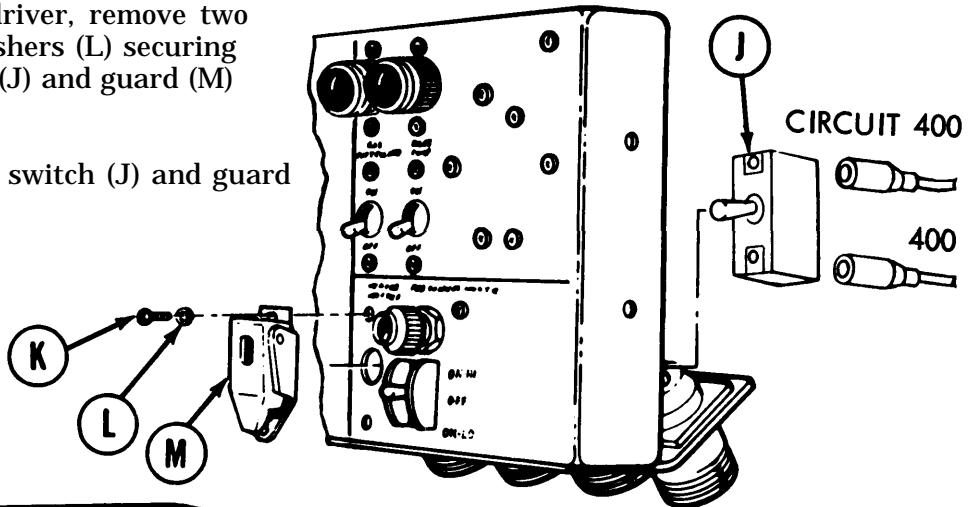


Go on to Sheet 3

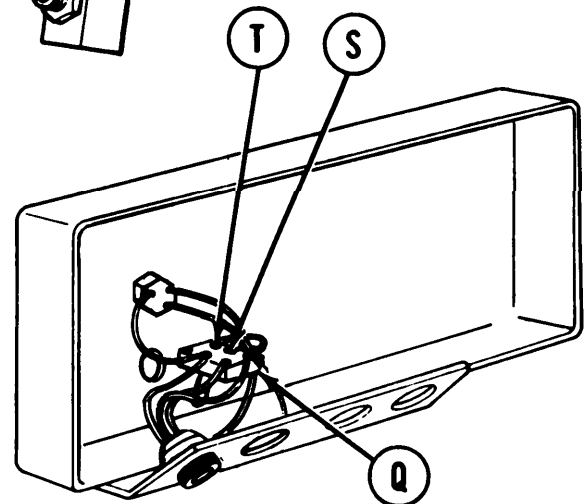
TA168729

**MASTER CONTROL PANEL REPAIR (Sheet 42 of 73)**  
**Master Heater Switch, Hi-Lo Switch And Indicator Light Replacement (Sheet 3 of 8)**

5. Remove two electrical connectors (circuit 400) from rear of switch (J) by pulling out.
6. Using cross-tip screwdriver, remove two screws (K) and lockwashers (L) securing heating master switch (J) and guard (M) to panel.
7. Remove heater master switch (J) and guard (M).



8. Using long nose pliers, remove nut (N) securing guard (P) and switch (Q) to panel.
9. Remove switch (Q), guard (P) and washer (R).



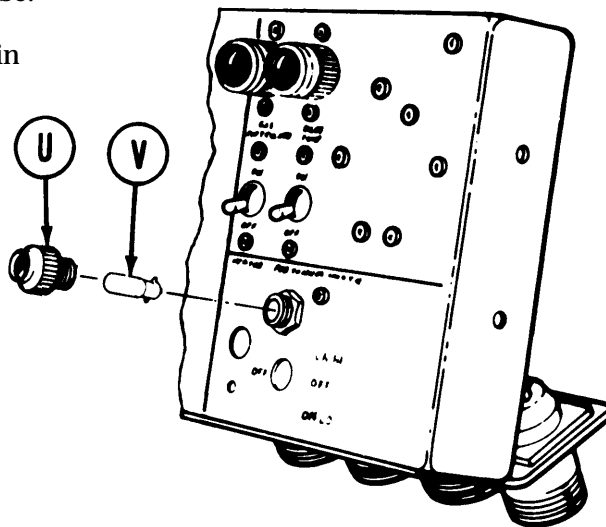
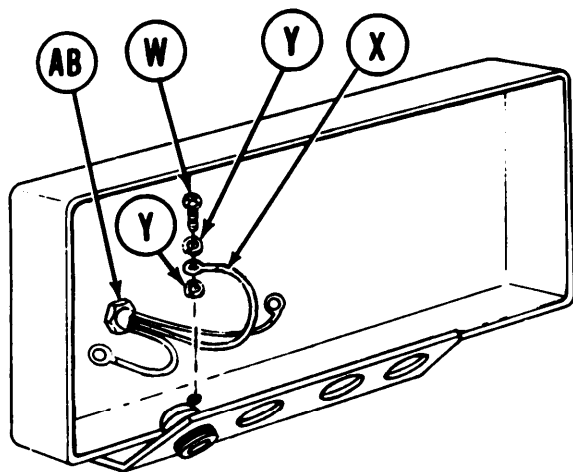
10. Using flat-tip screwdriver, remove five screws (S) and lockwashers (T) securing six electrical leads and jumper wire to switch (Q).

Go on to Sheet 4

TA168730

**MASTER CONTROL PANEL REPAIR (Sheet 43 of 73)**  
**Master Heater Switch, Hi-Lo Switch And Indicator Light Replacement (Sheet 4 of 8)**

- 11. Remove lens (U) by turning counterclockwise.
- 12. Using fingers, remove lamp (V) by pushing in and turning counter clockwise.



- 13. Using cross-tip screwdriver, remove screw (W) securing ground lead (X) to rear of panel
- 14. Remove lockwashers (Y).
- 15. Using 3/4 inch socket, remove nut (Z) and washer (AA) securing indicator light (AB) to panel.
- 16. Remove indicator light (AB).

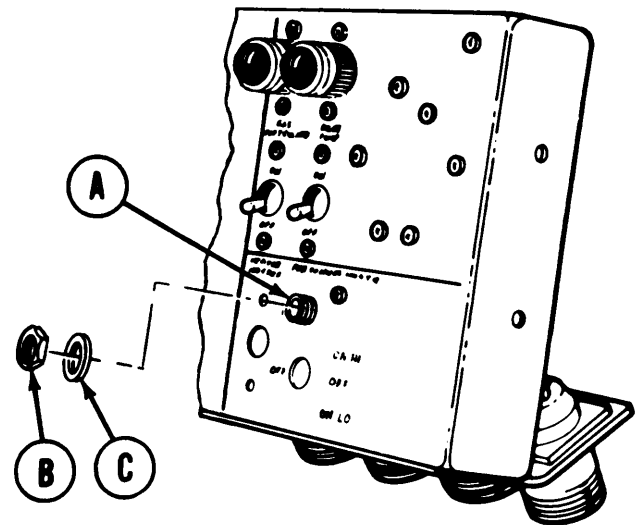
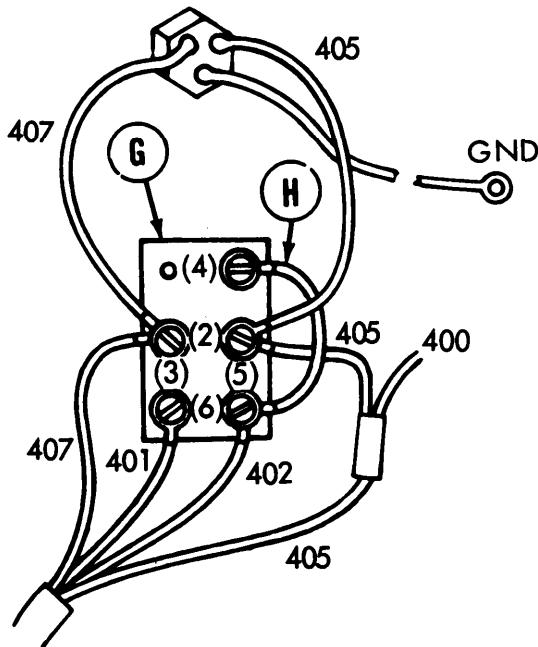
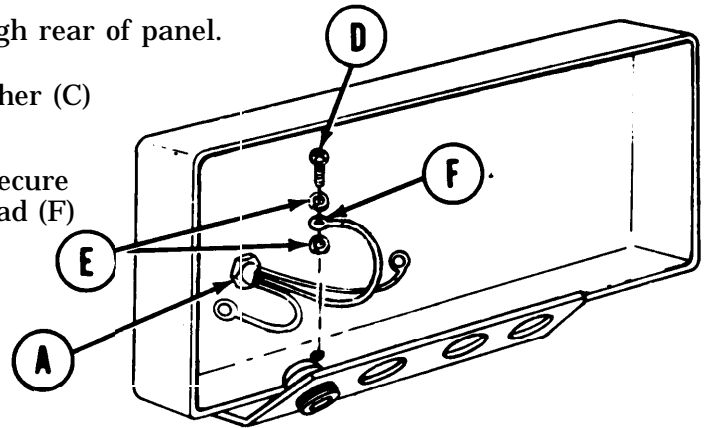
Go on to Sheet 5

TA168731

**MASTER CONTROL PANEL REPAIR (Sheet 44 of 73)**  
**Master Heater Switch, Hi-Lo Switch And Indicator Light Replacement (Sheet 5 of 8)**

INSTALLATION:

1. Place indicator light (A) in position through rear of panel.
2. Using 3/4 inch socket, install nut (B), washer (C) securing indicator light (A) to panel.
3. Using cross-tip screwdriver, install and secure screw (D), lockwashers (E), and ground lead (F) to panel.



4. Using flat-tip screwdriver, remove screws and washers from terminals 2 through 6 of replacement hi-lo switch (G). Retain screws and washers for installation.
5. Position electrical leads and jumper wire (H) to switch (G) as shown.

NOTE

Electrical leads (circuits 407 and 405) are part of indicator light (A).

6. Using flat-tip screwdriver, secure leads to terminals with screws and washers removed in step 4.

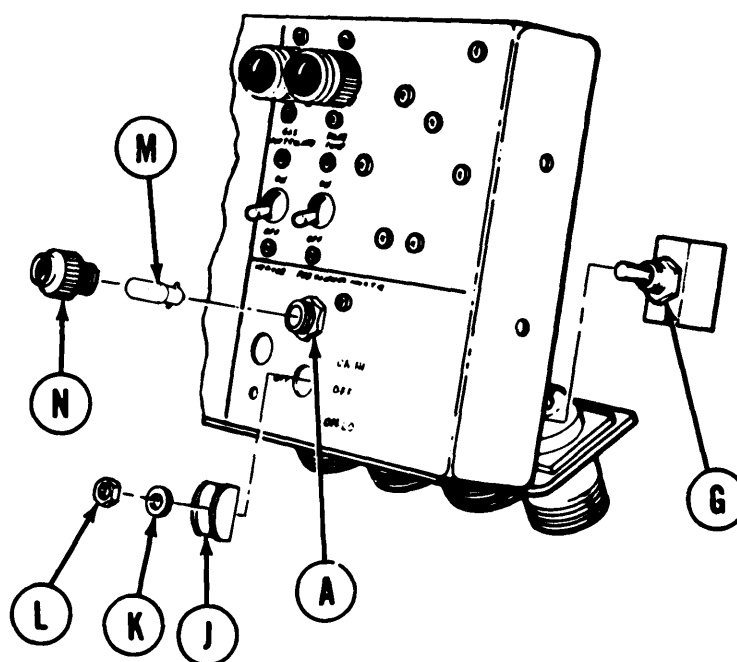
Go on to Sheet 6

TA168732

MASTER CONTROL PANEL REPAIR (Sheet 45 of 73)

Master Heater Switch, Hi-Lo Switch And Indicator Light Replacement (Sheet 6 of 8)

7. Place switch (G) in position on panel.
8. Place guard (J) and washer (K) on panel over switch (G).
9. Using long nose pliers install nut (L) securing guard (J) and switch (G) to panel.
10. Install lamp (M) in indicator light (A) by pushing in and turning clockwise.
11. Install lens (N) on indicator light (A) by turning clockwise.



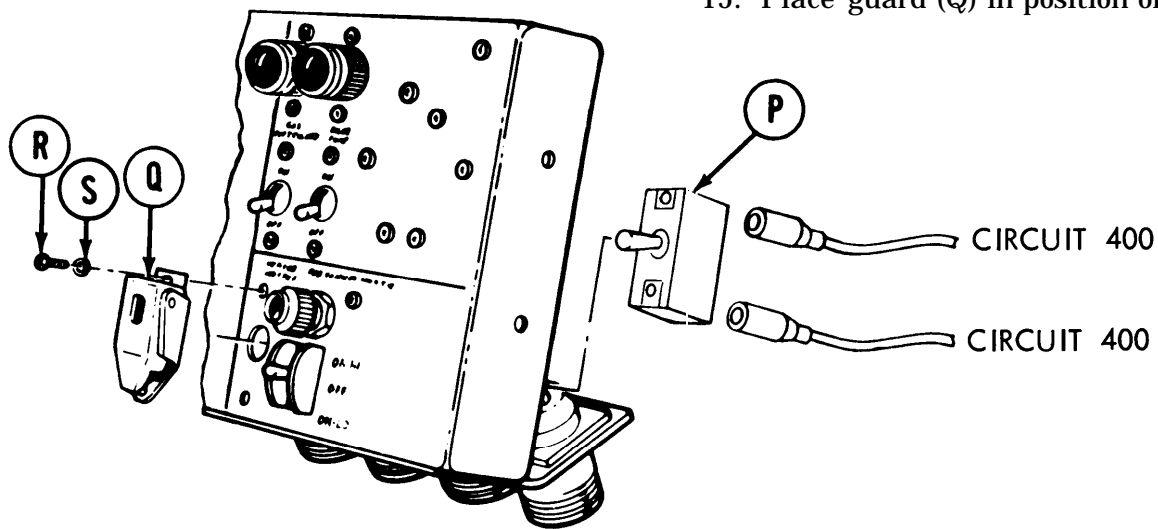
Go on to Sheet 7

TA168733

**MASTER CONTROL PANEL REPAIR (Sheet 46 of 73)**  
**Master Heater Switch, Hi-Lo Switch And Indicator Light Replacement (Sheet 7 of 8)**

12. Apply silicone compound to two electrical connectors (circuit 400).
13. Connect two electrical connectors (circuit 400) to rear of heater switch (P) by pushing in.

14. Place switch (P) in position on panel.
15. Place guard (Q) in position on switch (P).



16. Using screwdriver, install two screws (R) and lockwashers (S) securing guard (Q) and heater master switch (P) to panel.

Go on to Sheet 8

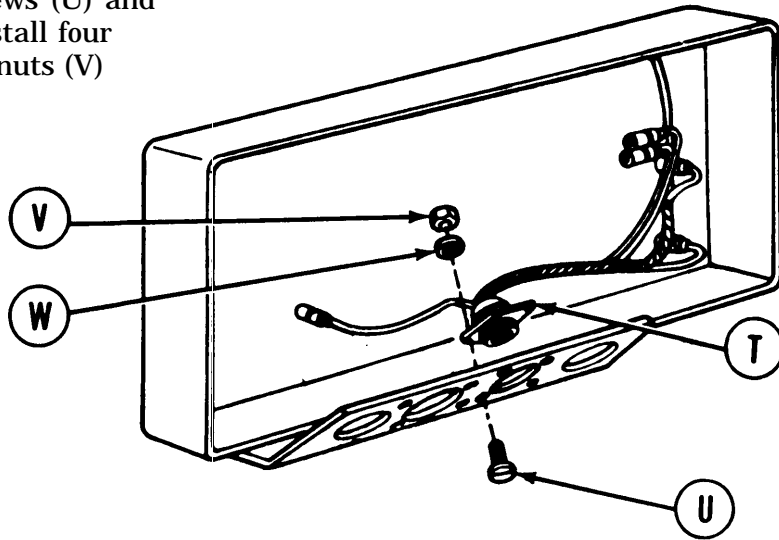
TA168734

**MASTER CONTROL PANEL REPAIR (Sheet 47 of 73)**

**Master Heater Switch, Hi-Lo Switch And Indicator Light Replacement (Sheet 8 of 8)**

17. Position connector (T) onto panel.

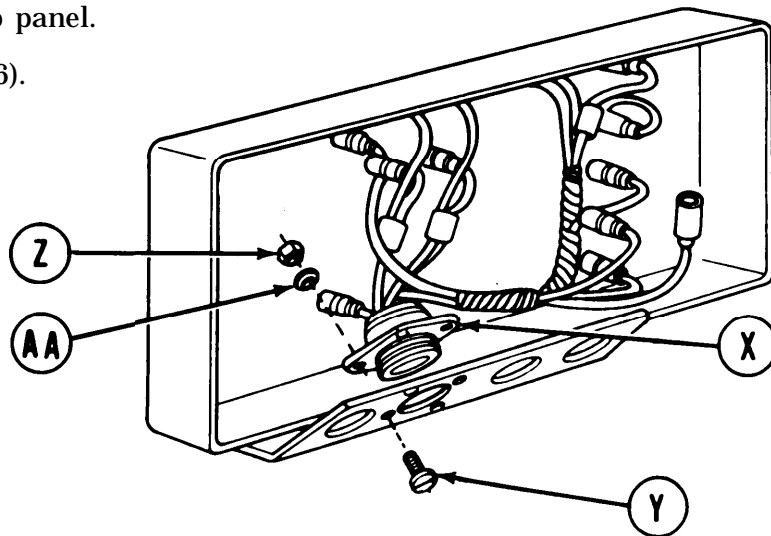
18. Using flat-tip screwdriver on screws (U) and 11/32 inch wrench on nuts (V) install four screws (U), lockwashers (W), and nuts (V) to secure connector (T) to panel.



19. Position connector (X) onto panel.

20. Using flat-tip screwdriver on screws (Y), and 11/32 inch wrench on nuts (Z), install four screws (Y), lockwashers (AA), and nuts (Z) to secure connector (X) to panel.

21. Install panel in vehicle (page 10-36).



End of Task



**MASTER CONTROL PANEL REPAIR (Sheet 48 of 73)**  
**Personnel Heater Wiring Harness Replacement (Sheet 1 of 6)**

PROCEDURE INDEX

PROCEDURE	PAGE
Removal	10-85
Installation	10-89

TOOLS: Flat-tip screwdriver  
 Cross-tip screwdriver 6 in. long  
 11/32 in. wrench  
 Long nose pliers

SUPPLIES: Silicone compound (Item 32, Appendix D)

PRELIMINARY PROCEDURE: Remove panel from vehicle (page 10-34).

REMOVAL:

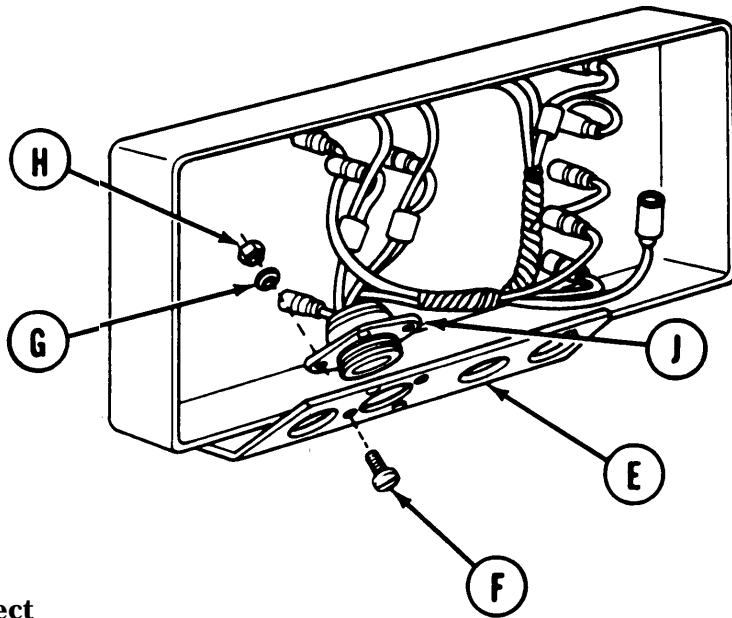
1. Using flat-tip screwdriver on screws (A) and 11/32 inch wrench on nuts (C), remove four screws (A), lockwashers (B), and nuts (C) securing connector (D) to panel (E).
2. Remove connector (D) from panel and position aside.

Go on to Sheet 2

TA168736

MASTER CONTROL PANEL REPAIR (Sheet 49 of 73)  
Personnel Heater Wiring Harness Replacement (Sheet 2 of 6)

- Using flat-tip screwdriver on screws (F) and 11/32 inch wrench on nuts (H), remove four screws (F), lockwashers (G), and nuts (H) securing connector (J) to panel (E).
- Remove connector (J) from panel position aside.

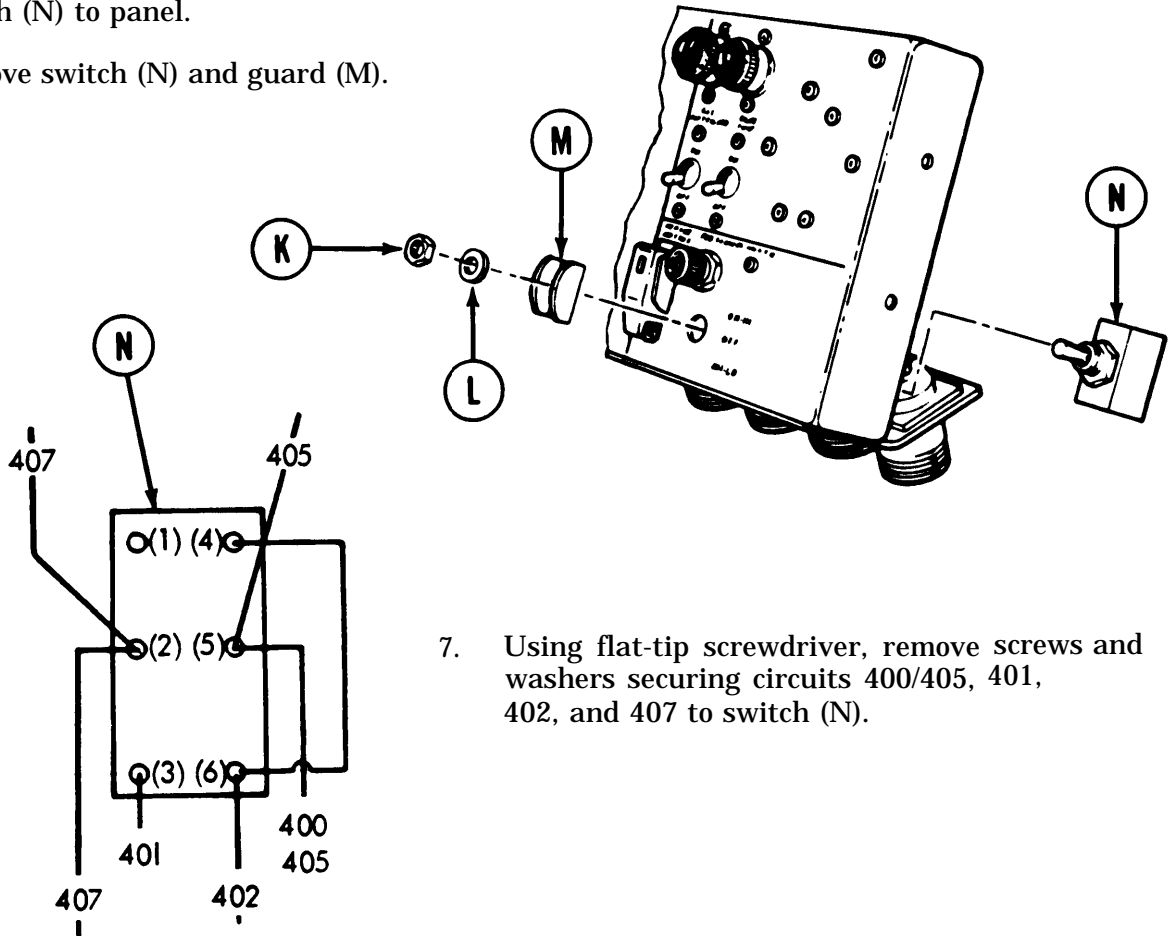


**NOTE**

**It may be necessary to disconnect other circuitry not related to the task at hand, for access. Make note of all circuits disconnected so that at installation all circuit are properly connected.**

**MASTER CONTROL PANEL REPAIR (Sheet 50 of 73)**  
**Personnel Heater Wiring Harness Replacement (Sheet 3 of 6)**

5. Using long nose pliers, remove nut (K) and washer (L) securing guard (M) and switch (N) to panel.
6. Remove switch (N) and guard (M).



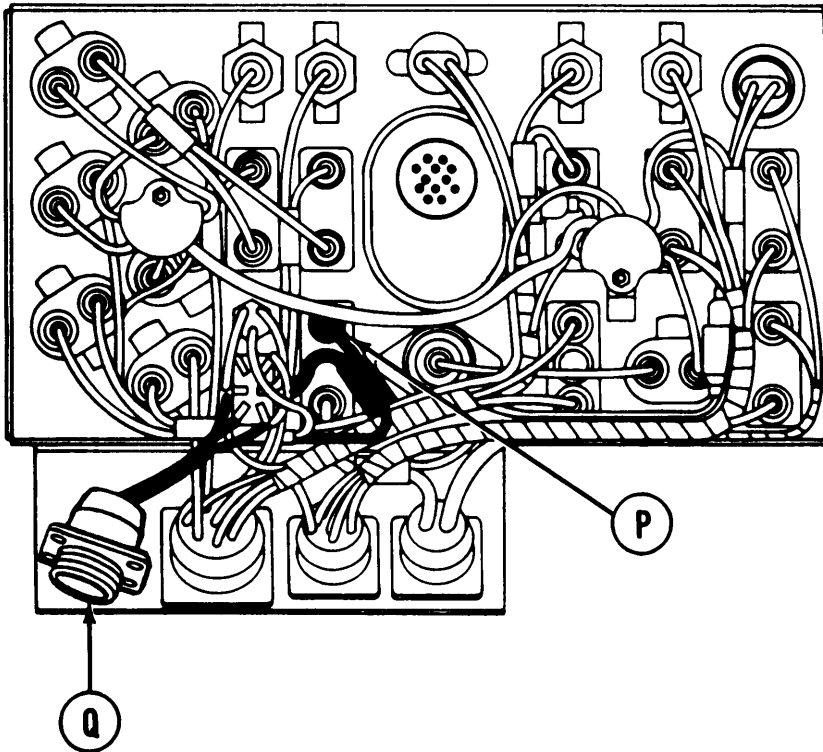
7. Using flat-tip screwdriver, remove screws and washers securing circuits 400/405, 401, 402, and 407 to switch (N).

Go on to Sheet 4

TA168738

MASTER CONTROL PANEL REPAIR (Sheet 51 of 73)  
Personnel Heater Wiring Harness Replacement (Sheet 4 of 6)

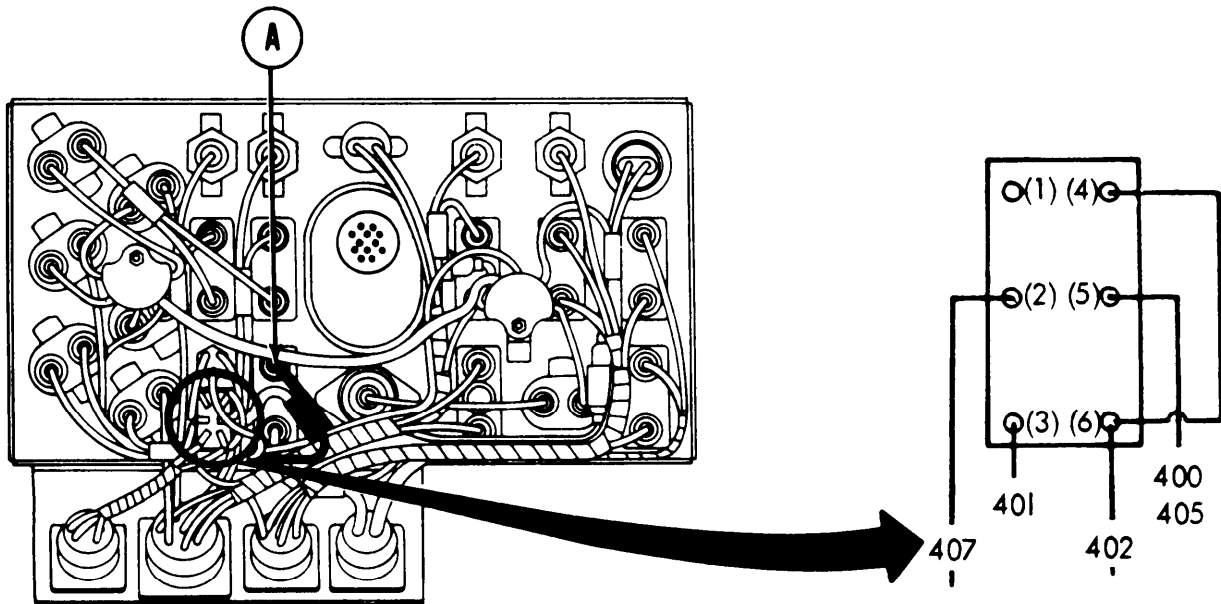
8. Disconnect connector (P) from heater master switch (circuit 400).
9. Remove harness assembly (Q).



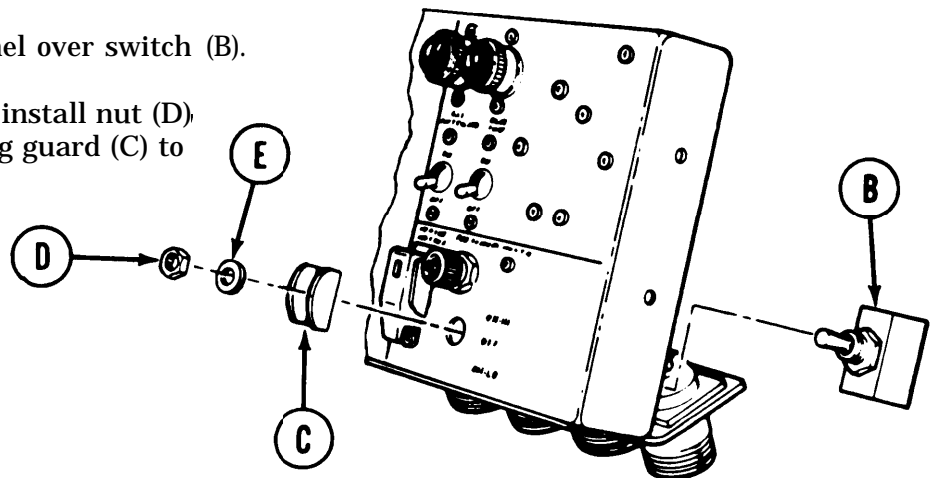
**MASTER CONTROL PANEL REPAIR (Sheet 52 of 73)**  
**Personnel Heater Wiring Harness Replacement (Sheet 5 of 6)**

**INSTALLATION:**

1. Apply silicone compound to male electrical end of connector (A).



2. Connect connector (A) to heater master switch (B) (circuit 400).
3. Using flat-tip screwdriver, secure electrical leads (circuits 400/405, 401, 402 and 407) with screws and washers to their respective terminals of switch, as shown.
4. Place switch (B) in position on panel.
5. Place guard (C) on panel over switch (B).
6. Using long nose pliers, install nut (D) and washer (E) securing guard (C) to panel.

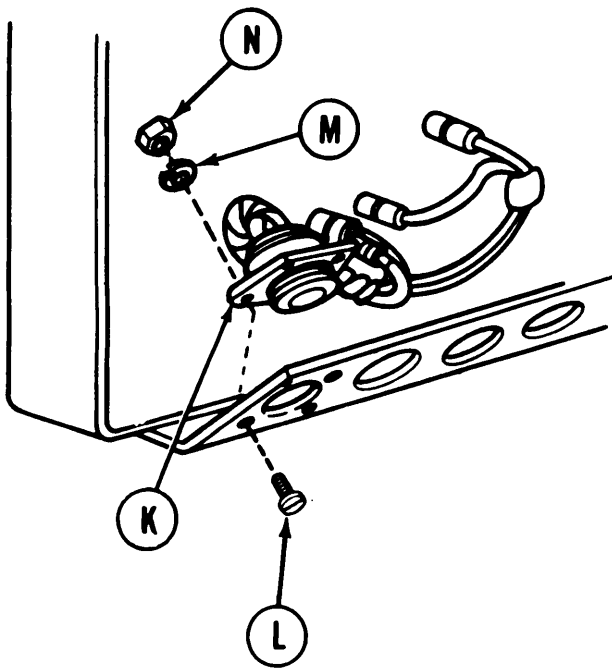
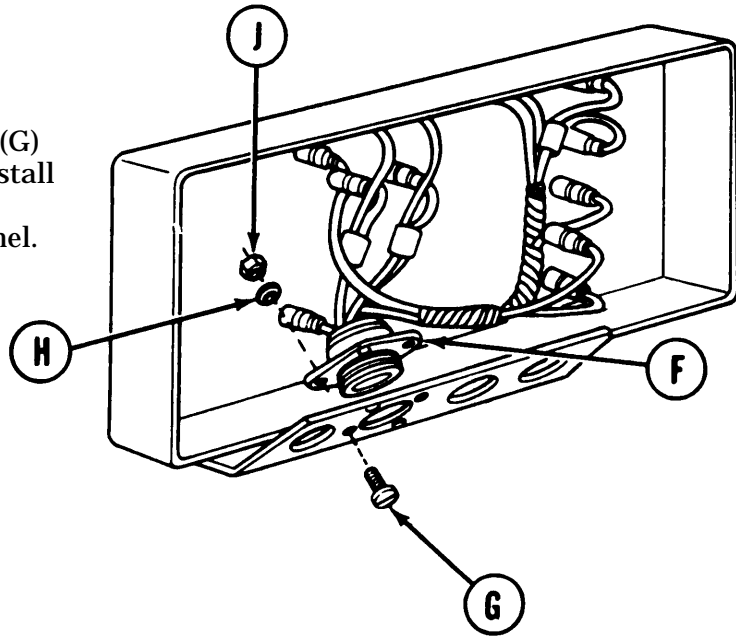


Go on to Sheet 6

TA168740

**MASTER CONTROL PANEL REPAIR (Sheet 53 of 73)**  
**Personnel Heater Wiring Harness- Replacement (Sheet 6 of 6)**

7. Position connector (F) onto panel.
8. Using flat-tip screwdriver on screws (G) and 11/32 inch wrench on nuts (J), install four screws (G), lockwashers (H), and nuts (J) to secure connector (F) to panel.



9. Position connector (K) onto panel.
10. Using flat-tip screwdriver on screws (L) and 11/32 inch wrench on nuts (N), install four screws (L), lockwashers (M), and nuts (N) to secure connector (K) to panel.
11. Make sure that all circuits are connected.
12. Install panel in vehicle (page 10-36).

End of Task

**MASTER CONTROL PANEL REPAIR (Sheet 54 of 73)**  
**Accessories Wiring Harness Replacement (Sheet 1 of 6)**

PROCEDURE INDEX

PROCEDURE	PAGE
Removal	10-91
Installation	10-94

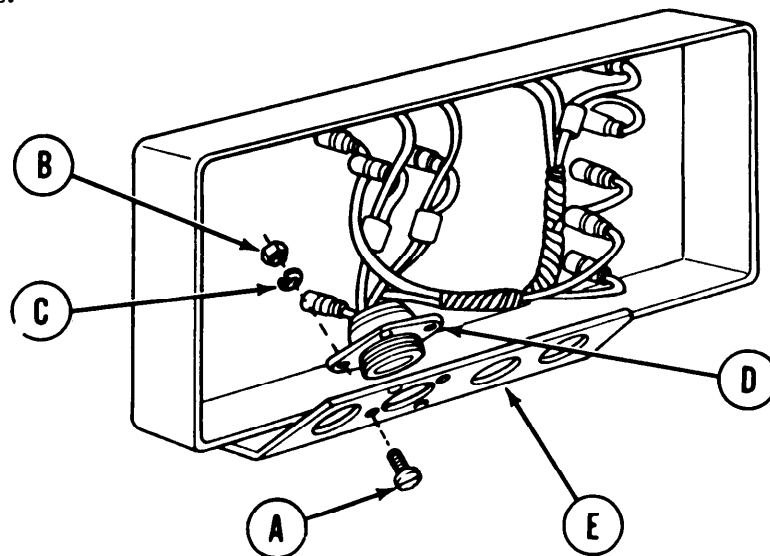
TOOLS: Flat-tip screwdriver  
 11/32 inch wrench open end

SUPPLIES: Silicone compound (Item 32, Appendix D)

PRELIMINARY PROCEDURE Remove panel from vehicle (page 10-34).

REMOVAL:

1. Using flat-tip screwdriver on screws (A) and 11/32 inch wrench on nuts (B), remove four screws (A), lockwashers (C), and nuts (B) securing connector (D) to panel (E).
2. Remove connector (D) from panel and position aside.

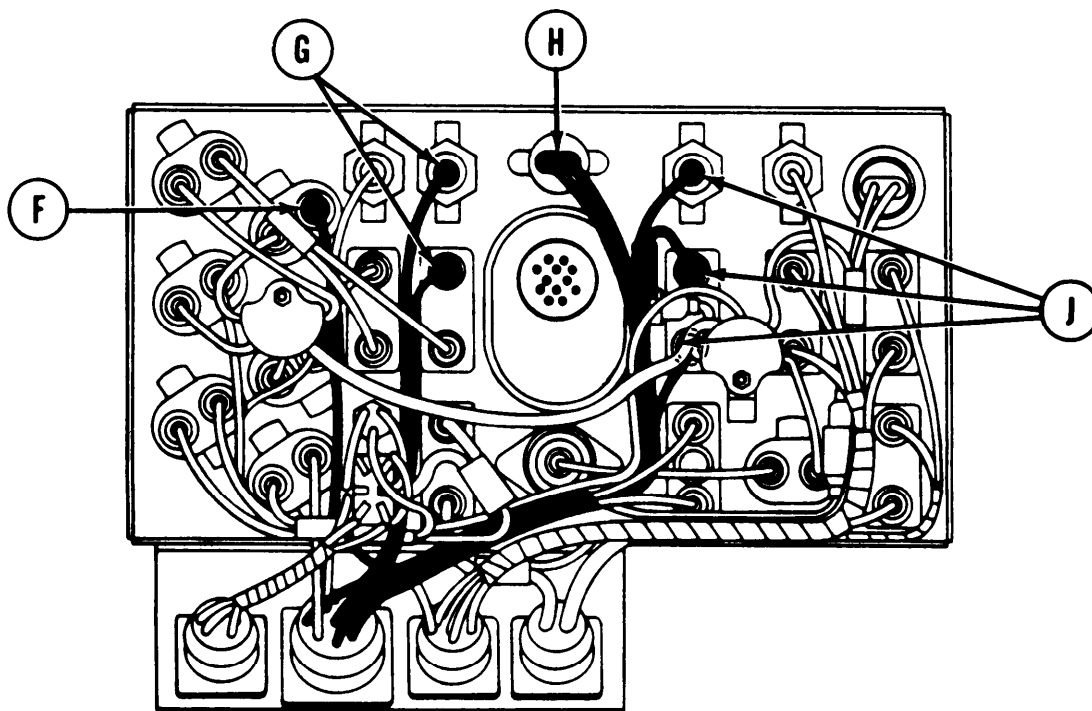


Go on to Sheet 2

TA168742

**MASTER CONTROL PANEL REPAIR (Sheet 55 of 73)**  
**Accessories Wiring Harness Replacement (Sheet 2 of 6)**

3. Remove lead (circuit 38/516) from IR (night vision) power circuit breaker (F).
4. Remove two leads (circuit 415) from gas particulate switch and indicator light (G).

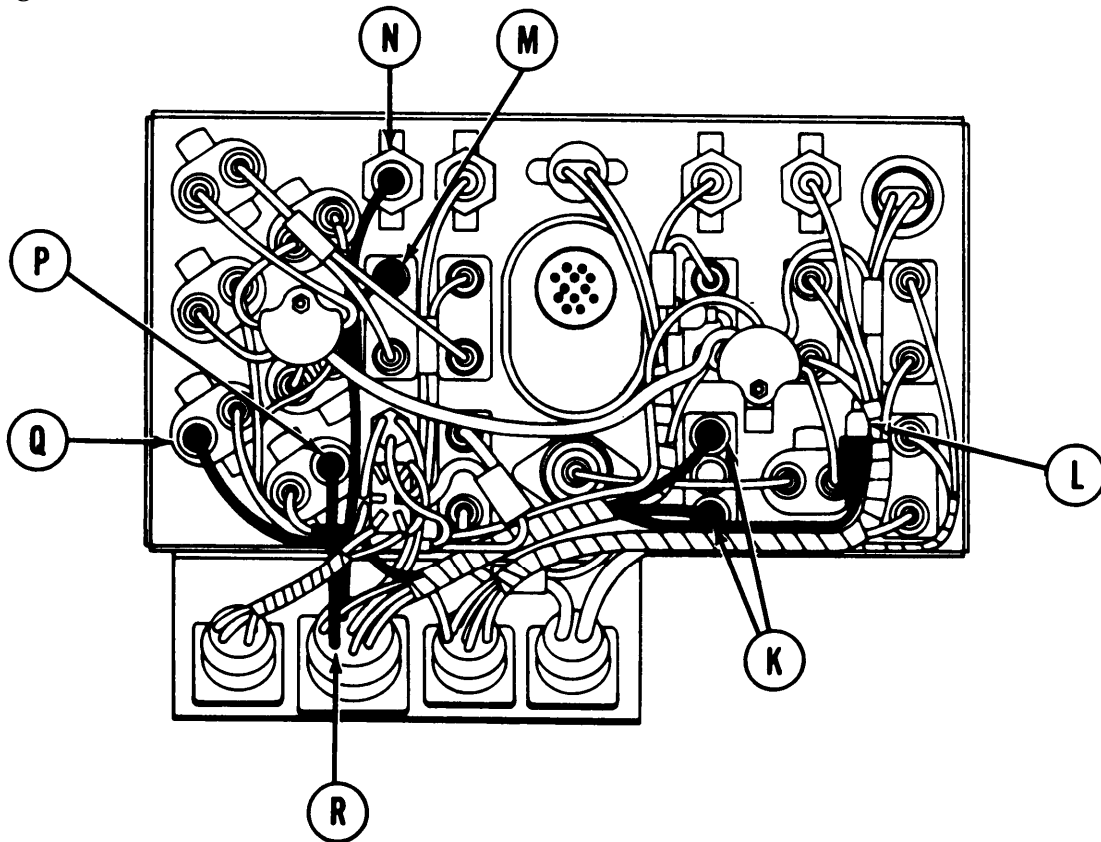


5. Remove two leads (circuit 519) from hi beam indicator light (H).
6. Remove three leads (circuit 516) from night vision (IR) power switch and indicator light (J).



**MASTER CONTROL PANEL REPAIR (Sheet 56 of 73)**  
**Accessories Wiring Harness Replacement (Sheet 3 of 6)**

7. Remove two leads (circuits 19 and 514/515) from blackout selector switch (K).
8. Disconnect lead (circuit 14) from starter switch connector (L) by pulling apart.
9. Remove two connectors (circuit 451) from rear of bilge pump switch (M) and indicator light (N).



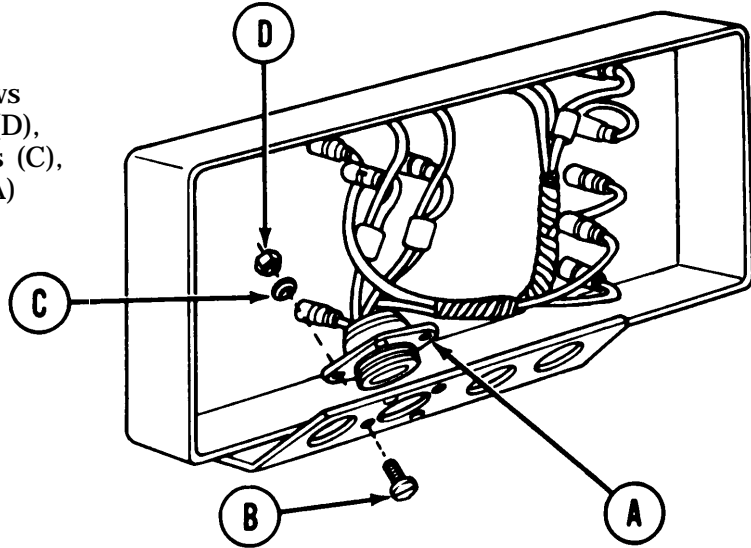
10. Remove connector (circuit 27) from gage circuit breaker (P).
11. Remove connector (circuit 486) from manifold preheat circuit breaker (Q).
12. Remove wiring harness (R) from panel.

TA168744

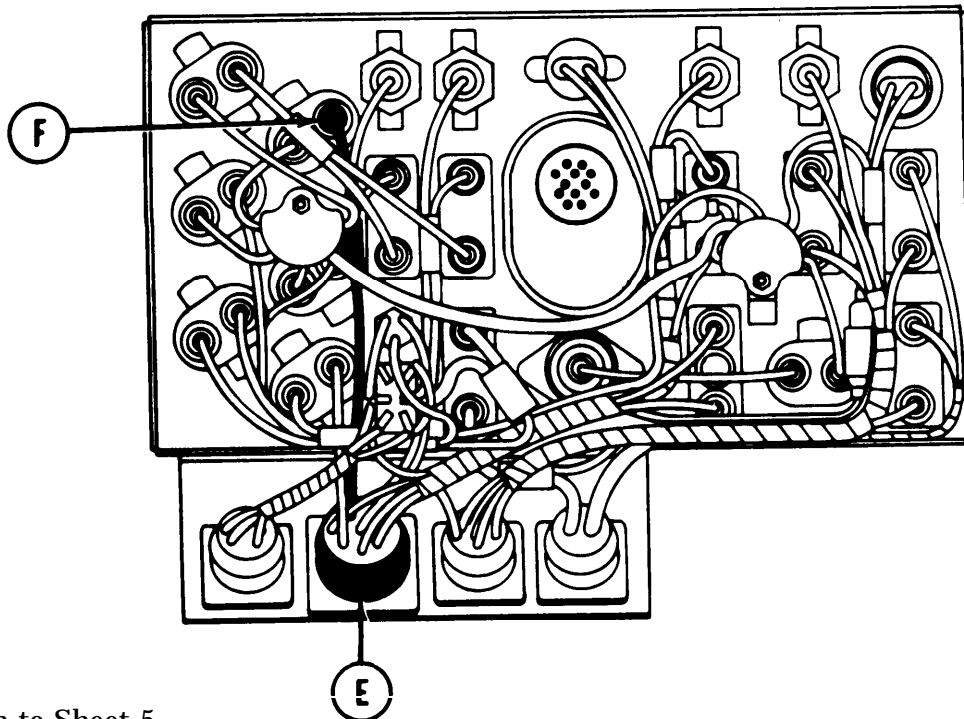
**MWERCONTROL PANEL REPAIR (Sheet 57 of 73)**  
**Accessories Wiring Harness Replacement (Sheet 4 of 6)**

INSTALLATION:

1. Position connector (A) onto panel.
2. Using flat-tip screwdriver on screws (B) and 11/32 inch wrench on nuts (D), install four screws (B), lockwashers (C), and nuts (D) to secure connector (A) to panel.



3. Apply silicone compound to all male electrical connectors of wiring harness (E).
4. Connect lead (circuit 38/516) to night vision (IR) power circuit breaker (F).

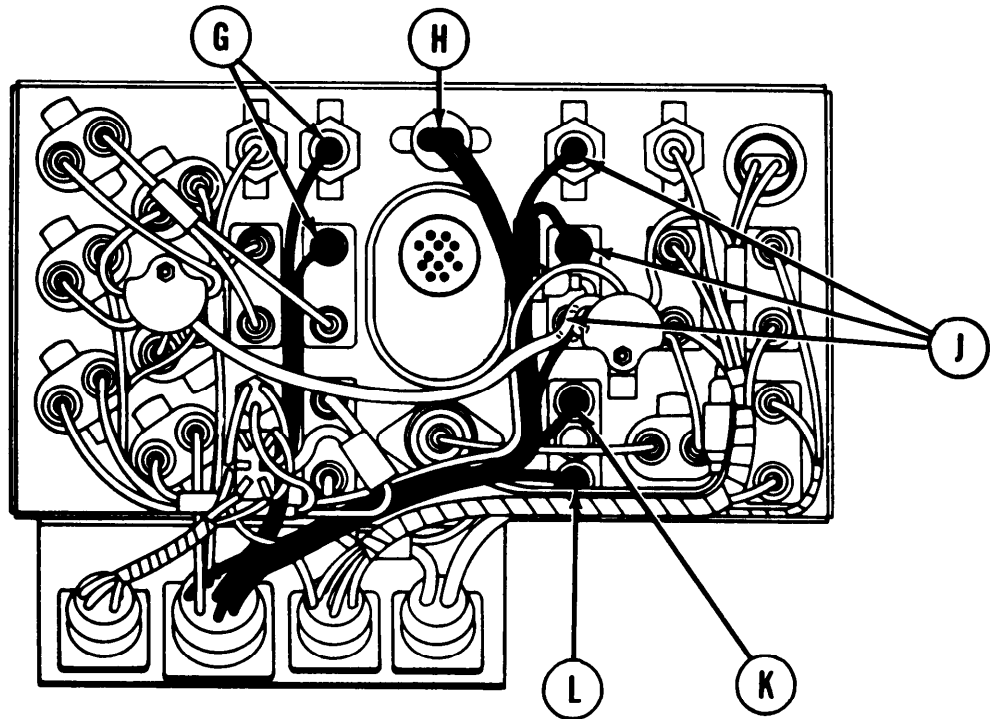


Go on to Sheet 5

TA168745

**MASTER CONTROL PANEL REPAIR (Sheet 56 of 73)**  
**Accessories Wiring Harness Replacement (Sheet 5 of 6)**

5. Connect two leads (circuit 415) to gas particulate switch and indicator light (G).
6. Connect lead (circuit 519) to hi beam indicator light (H).
7. Connect three leads (circuit 516) to night vision (IR) power switch and indicator light (J).

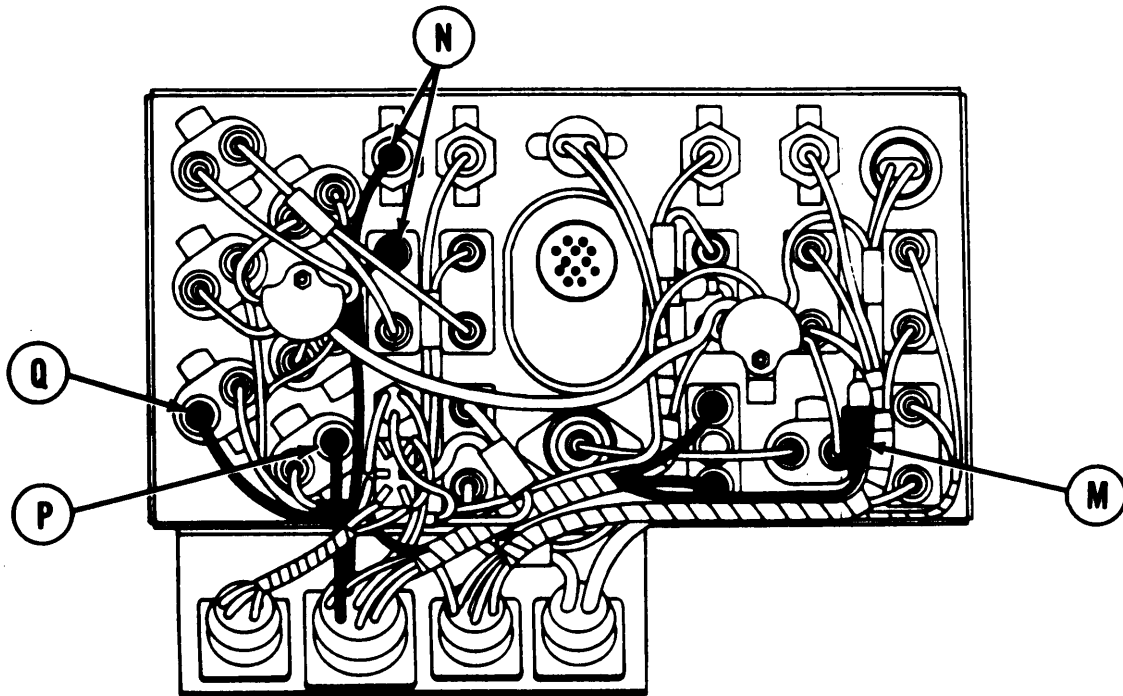


8. Connect lead (circuit 19) to blackout selector switch contact (K).
9. Connect lead (circuit 514/515) to blackout selector switch contact (L).

Go on to Sheet 6

TA168746

**MASTER CONTROL PANEL REPAIR (Sheet 59 of 73)**  
**Accessories Wiring Harness Replacement (Sheet 6 of 6)**



10. Connect lead (circuit 14) to starter switch (M).
11. Connect two leads (circuit 451) to bilge pump switch and indicator light (N).
12. Connect lead (circuit 27) to gage circuit breaker (P).
13. Connect lead (circuit 486 ) to manifold preheat circuit breaker (Q).
14. Install panel in vehicle (page 10-36).

End of Task

TA168747

**MASTER CONTROL PANEL REPAIR (Sheet 60 of 73)**  
**Master Battery Wiring Harness Replacement (Sheet 1 of 4)**

PROCEDURE INDEX

PROCEDURE	PAGE
Removal	10-97
Installation	10-99

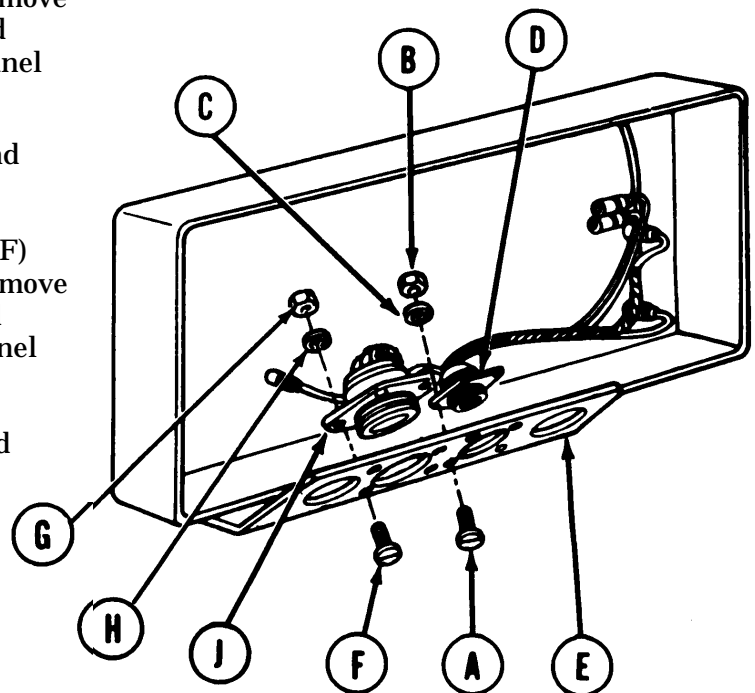
TOOLS: Flat-tip screwdriver  
 11/32 in. wrench open end  
 7/16 in combination box and open end wrench

SUPPLIES: Silicone compound (Item 32, Appendix D)

PRELIMINARY PROCEDURE: Remove panel from vehicle (page 10-34).

REMOVAL:

1. Using flat-tip screwdriver on screw (A) and 11/32 inch wrench on nut (B), remove *four* screws (A), lockwashers (C), and nuts (B) securing connector (D) to panel (E).
2. Remove connector (D) from panel and position aside.
3. Using flat-tip screwdriver on screw (F) and 11/32 inch wrench on nut (G), remove *four* screws (F), lockwashers (H), and nuts (G) securing connector (J) to panel (E).
4. Remove connector (J) from panel and position aside.

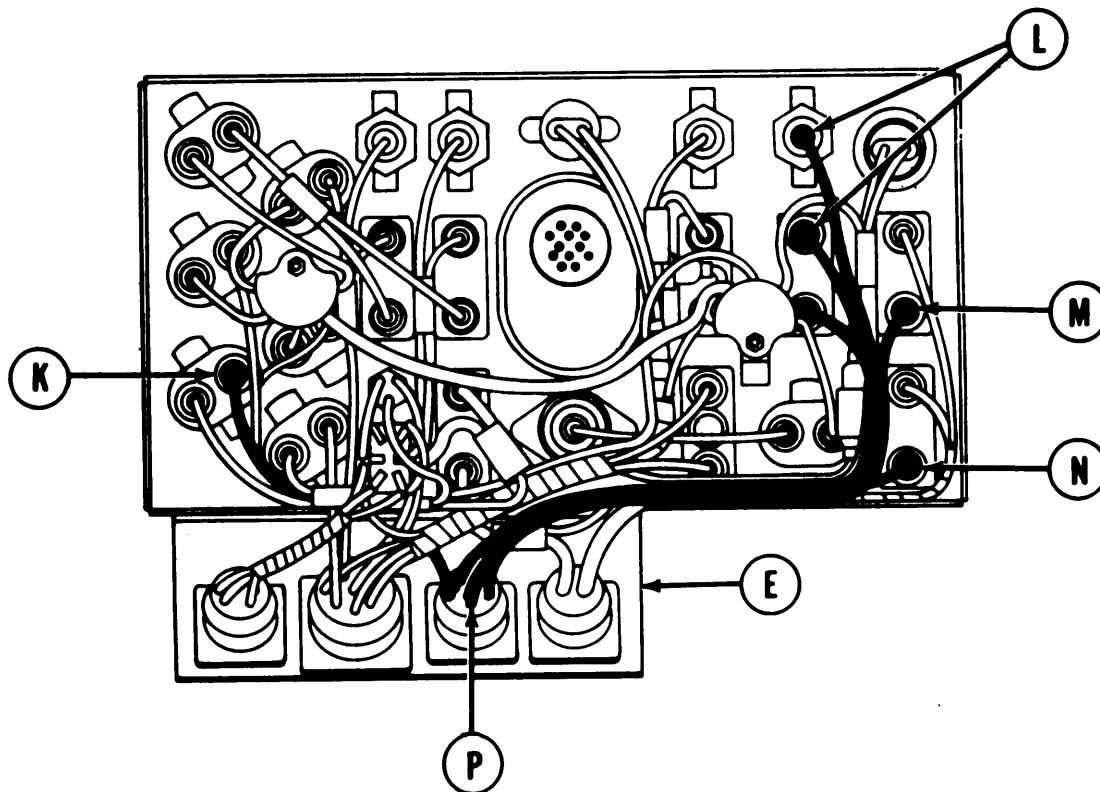


Go on to Sheet 2

TA168748

MASTER CONTROL PANEL REPAIR (Sheet 61 of 73)  
Master Battery Wiring Harness Replacement (Sheet 2 of 4)

5. Remove lead (circuit 486) from manifold preheat circuit breaker (K).



6. Remove two leads (circuit 459A) from master battery switch and indicator light (L).
7. Remove lead (circuit 54A) from fuel shutoff switch (M).
8. Remove lead (circuit 76) from fuel pumps switch (N).
9. Remove wiring harness (P) from panel (E).

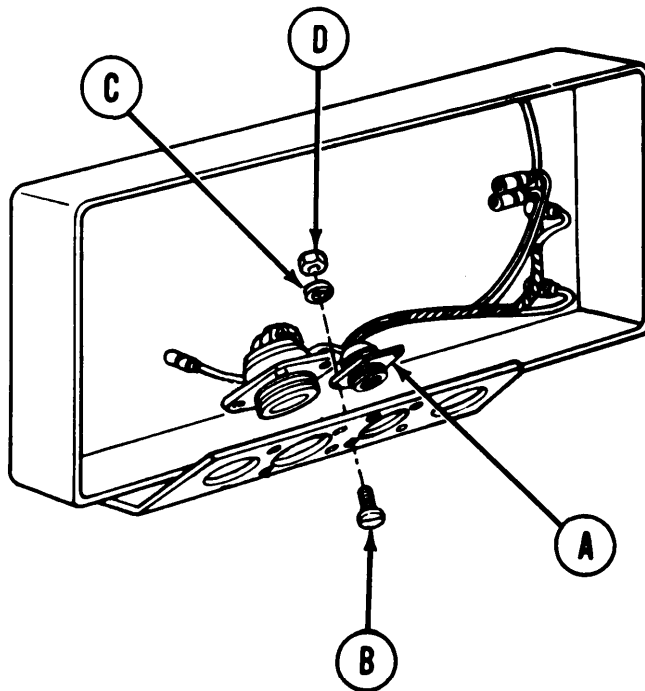
Go on to Sheet 3

TA168749

**MASTER CONTROL PANEL REPAIR (Sheet 62 of 73)**  
**Master Battery Wiring Harness Replacement (Sheet 3 of 4)**

**INSTALLATION:**

1. Position connector (A) onto panel.
2. Using flat-tip screwdriver on screw (B) and 11/32 inch wrench on nut (D), install four screws (B), lockwashers (C), and nuts (D) to secure connector (A) to panel.

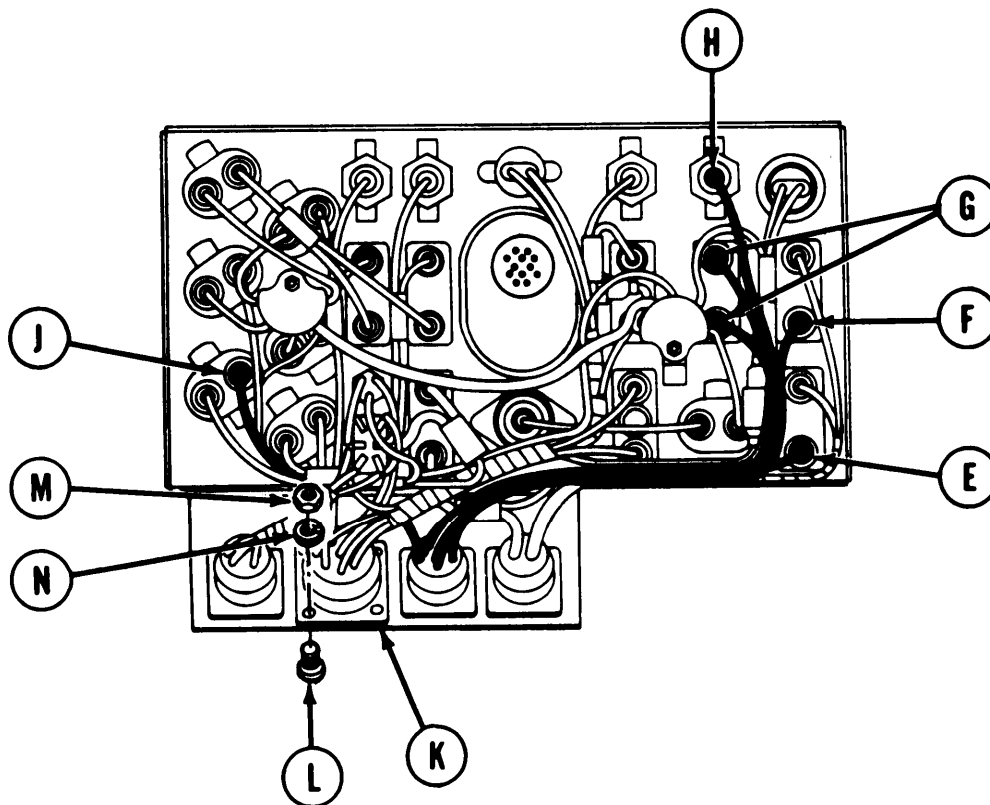


Go on to Sheet 4

TA168750

**MASTER CONTROL PANEL REPAIR (Sheet 63 of 73)**  
**Master Battery Wiring Harness Replacement (Sheet 4 of 4)**

3. Apply silicone compound to all male connectors of the master battery wiring harness.
4. Connect electrical connector (circuit 76) (E).
5. Connect lead (circuit 54A) to fuel shutoff switch (F).



6. Connect two leads (circuit 459A), one to master battery switch (G) and one to master battery indicator light (H).
7. Connect lead (circuit 486) to manifold pre-heat circuit breaker (J).
8. Position connector (K) onto panel.
9. Using flat-tip screwdriver on screw (L) and 11/32 inch wrench on nut (M), install four screws (L), new lockwashers (N), and nuts (M) to secure connector (K) to panel
10. Install panel in vehicle (page 10-36).

End of Task

TA168751



**MASTER CONTROL PANEL REPAIR (Sheet 64 of 73)**  
**Master Control Panel Wiring Harness Replacement (Sheet 1 of 7)**

PROCEDURE INDEX

PROCEDURE	PAGE
Removal	10-101
Installation	10-105

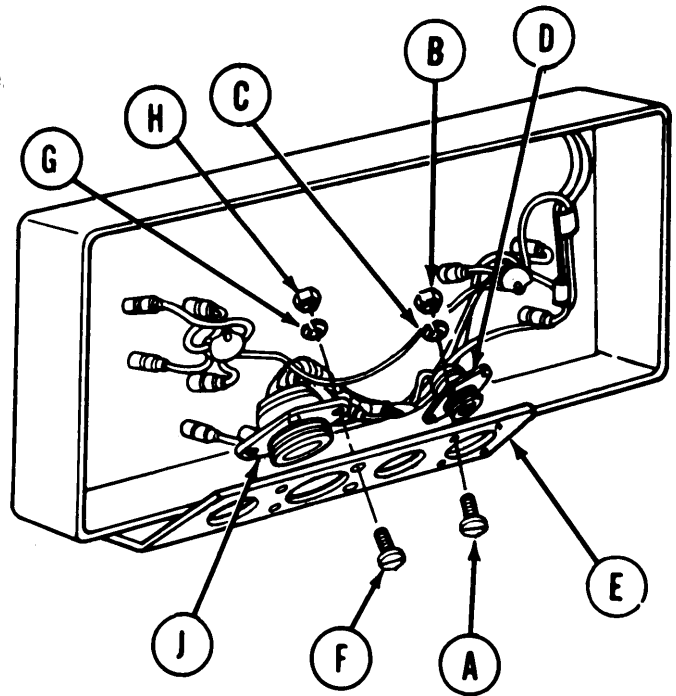
**TOOLS:** 3/8 in. combination box and open end wrench  
 Offset cross-tip screwdriver  
 Flat-tip screwdriver  
 3/8in. socket with 1/2 in. drive  
 Ratchet with 1/2 in. drive  
 11/32 in. open end wrench

**SUPPLIES:** Silicone compound (Item 32, Appendix D)

**PRELIMINARY PROCEDURE:** Remove panel from vehicle (page 10-34).

**REMOVAL:**

1. Using flat-tip screwdriver on screws (A) and 11/32 inch wrench on nuts (B), remove four screws (A), lockwashers (C), and nuts (B) securing connector (D) to panel (E).
2. Remove connector (D) from panel (E) and position aside.
3. Using flat-tip screwdriver on screws (F) and 11/32 inch wrench on nuts (H), remove four screws (F), lockwashers (G), and nuts (H) securing connector (J) to panel (E).
4. Remove connector (J) from panel (E) and position aside.

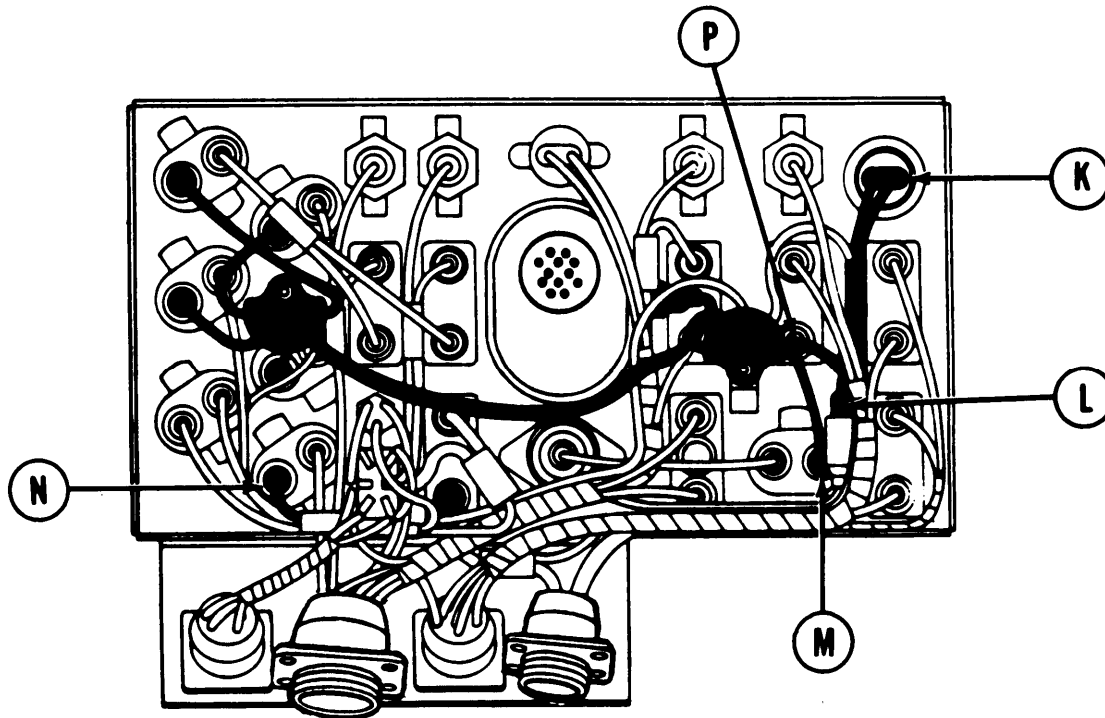


Go on to Sheet 2

TA168752

**MASTER CONTROL PANEL REPAIR (Sheet 65 of 73)**  
**Master Control Panel Wiring Harness Replacement (Sheet 2 of 7)**

5. Disconnect electrical connector (circuit 14) from starter switch (K).
6. Disconnect electrical connector (circuit 14) (L).
7. Remove lead (circuit 37) from utility outlet circuit breaker (M).



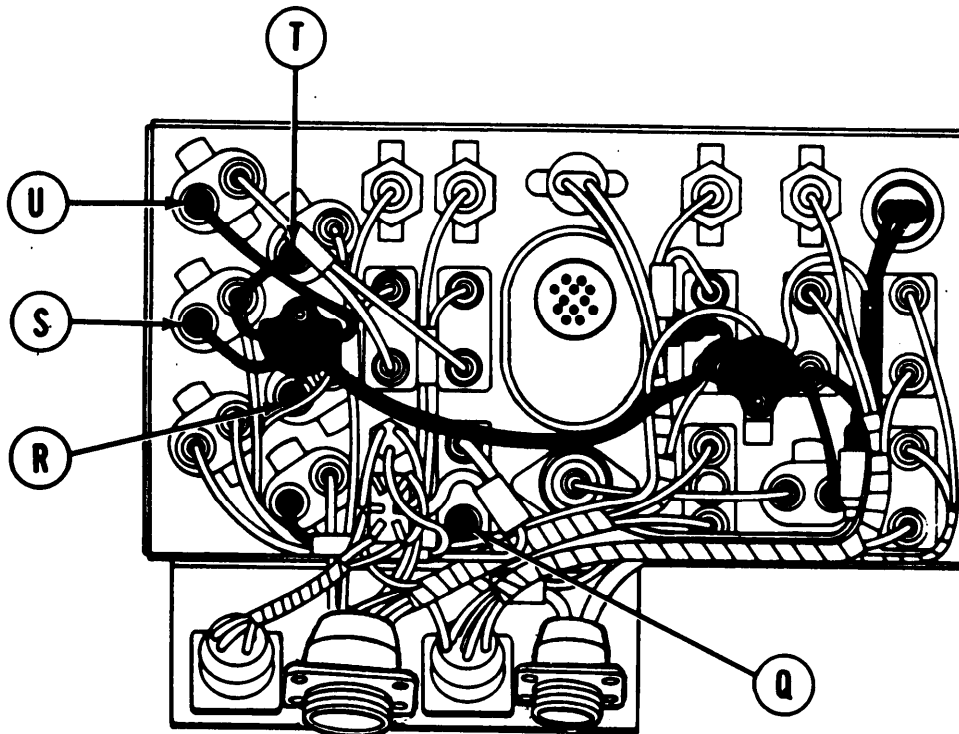
8. Remove lead (circuit 27) from gage circuit breaker (N).
9. Disconnect electrical connector (circuit 15) and (circuit 459) from master battery switch (P).

Go on to Sheet 3

TA168753

**MASTER CONTROL PANEL REPAIR (Sheet 66 of 73)**  
**Master Control Panel Wiring Harness Replacement (Sheet 3 of 7)**

10. Disconnect electrical connector (circuit 400) from master heater switch (Q) by pulling apart.
11. Remove lead (circuit 76A) from fuel pump circuit breaker (R).
12. Remove lead (circuit 54) from fuel shutoff circuit breaker (S).
13. Remove lead (circuit 38/516) from IR (night vision) power circuit breaker (T).
14. Remove lead (circuit 920) from bilge pump and gas particulate circuit breaker (U).

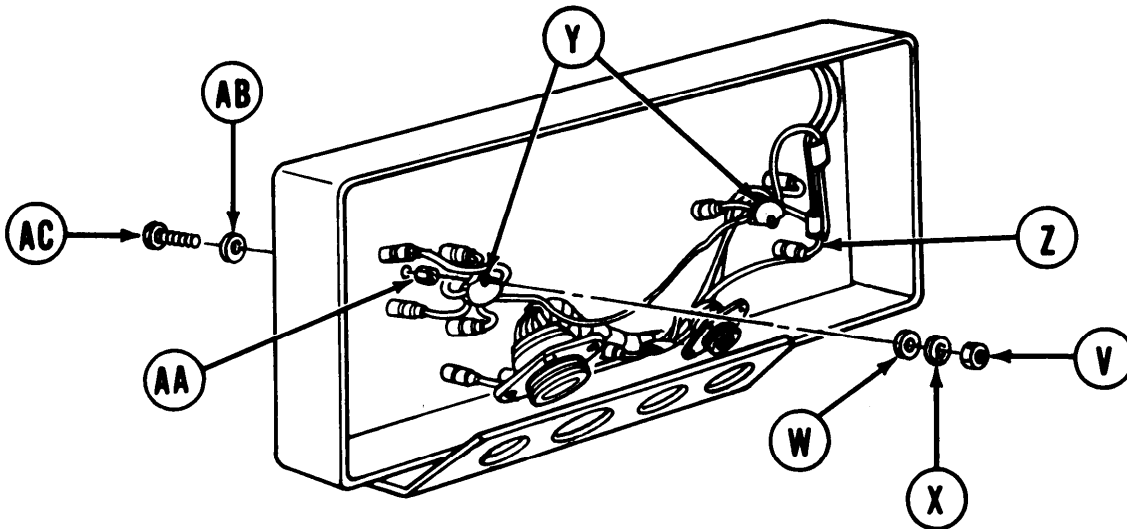


Go on to Sheet 4

TA168754

MASTER CONTROL PANEL REPAIR (Sheet 67 of 73)  
Master Control Panel Wiring Harness Replacement (sheet 4 of 7)

15. Using socket, remove two nuts (V), flatwashers (W), and lockwashers (X) securing two harness junctions (Y) to panel.
16. Remove wiring harness (Z).

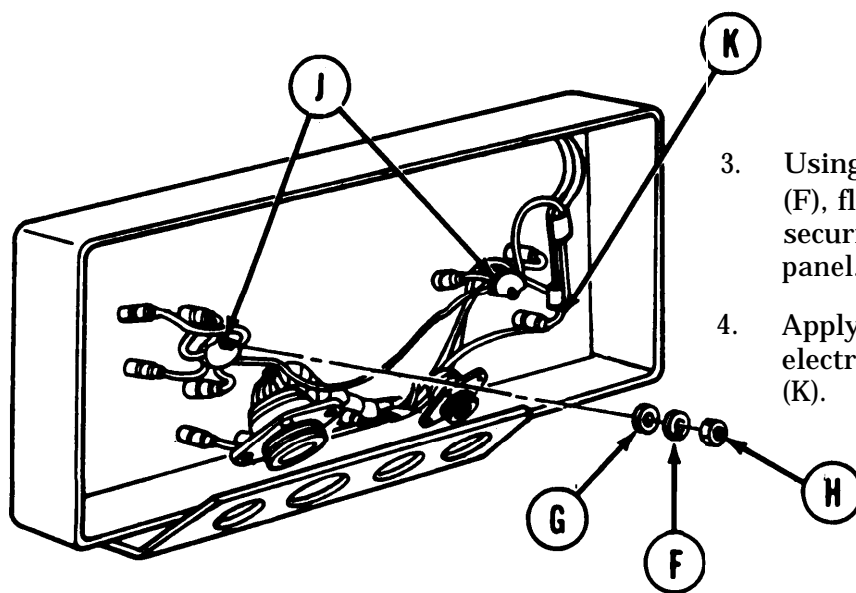
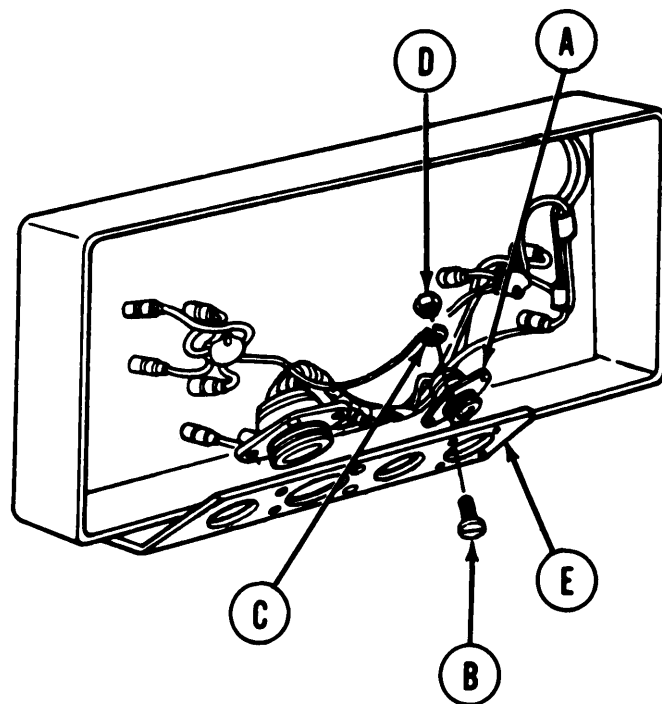


17. Inspect studs (AA) or stripped or damaged threads. If any defects are found, replace.
18. If necessary to replace stud (AA), use offset cross-tip screwdriver on screw (AC) and 3/8 inch wrench on stud (AA) and replace stud (AA), washer (AB), and/or screw (AC).

**MASTER CONTROL PANEL REPAIR (Sheet 68 of 73)**  
**Master Control Panel Wiring Harness Replacement (Sheet 5 of 7)**

INSTALLATION

1. Position connector (A) onto panel.
2. Using flat-tip screwdriver on screws (B) and 11/32 inch wrench on nuts (D), install four screws (B), lockwashers (C), and nuts (D) to secure connector (A) to panel (E).



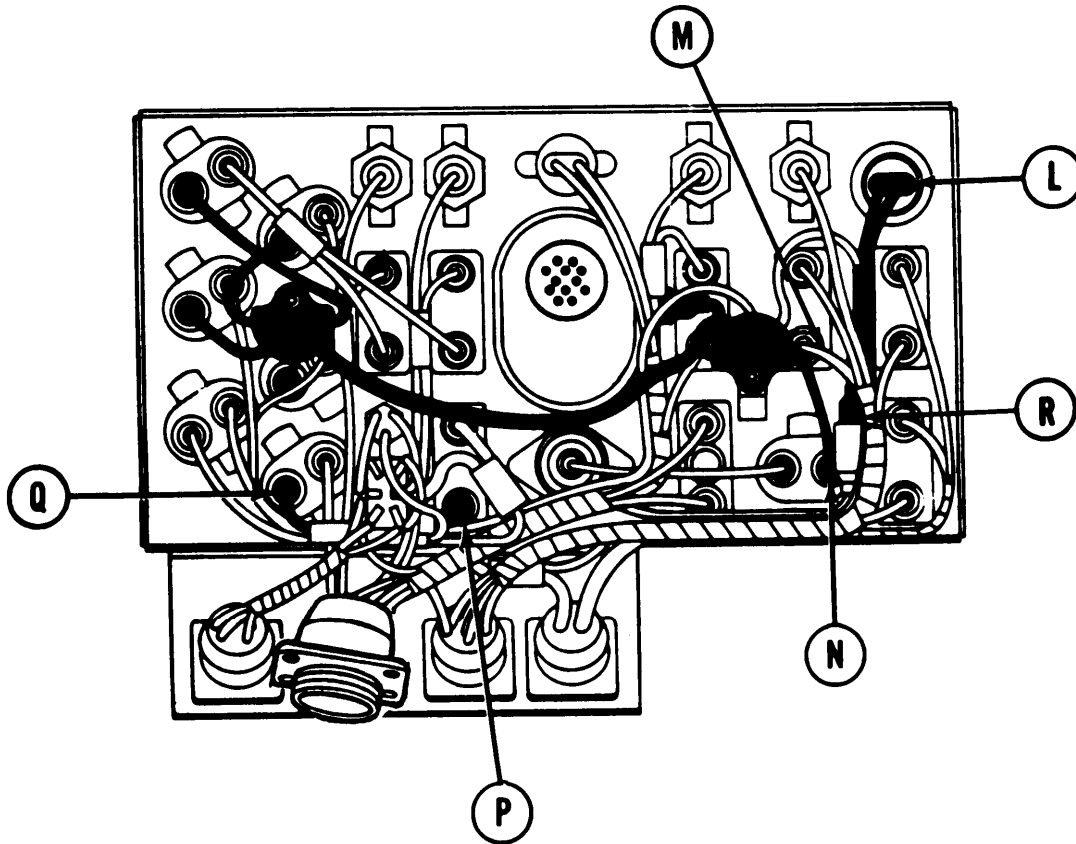
3. Using socket, install two lockwashers (F), flatwashers (G), and nuts (H) securing two harness junctions (J) to panel.
4. Apply silicone compound to all male electrical connectors of wiring harness (K).

Go on to Sheet 6

TA168756

**MASTER CONTROL PANEL REPAIR (Sheet 69 of 73)**  
**Master control Panel Wiring Harness Replacement (Sheet 6 of 7)**

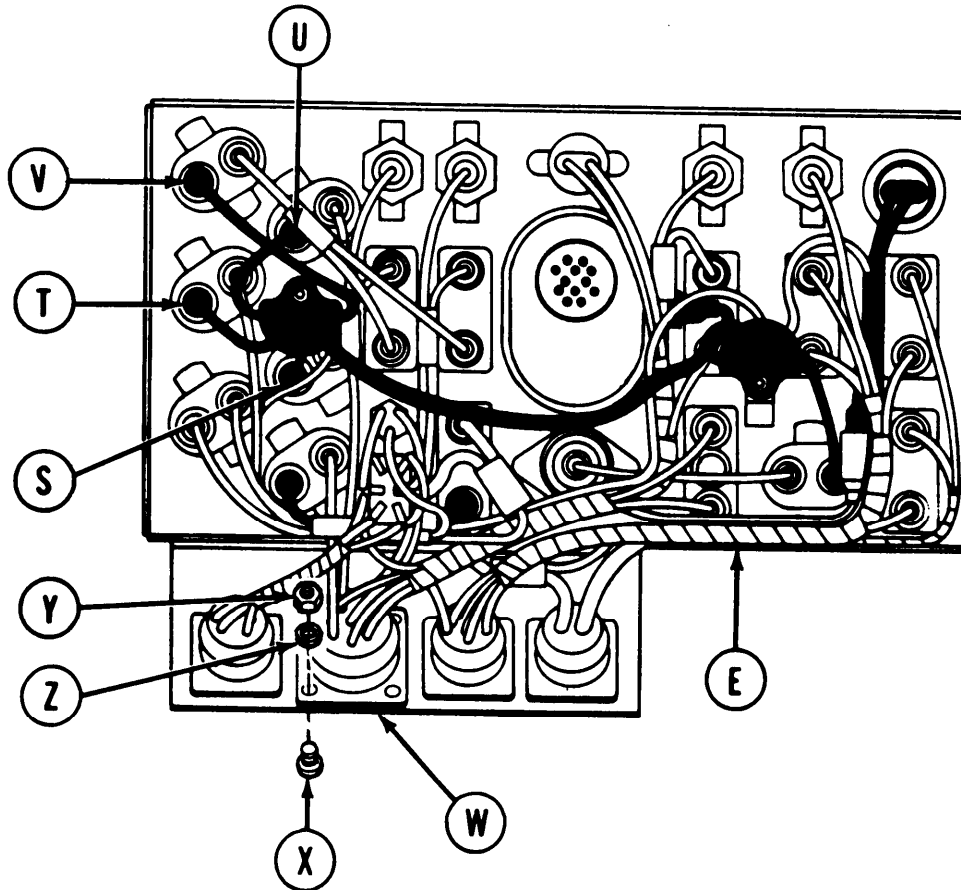
5. Connect two leads (circuit 14) to starter switch (L).
6. Connect electrical connector (circuit 459) to master battery switch (M).
7. Connect lead (circuit 37) to bilge pump and utility outlet circuit breaker (N).
8. Connect electrical connector (circuit 400) to master heater switch connector (P).



9. Connect lead (circuit 27) to gage circuit breaker (Q).
10. Connect leads (circuit 14) (R).

**MASTER CONTROL PANEL REPAIR (Sheet 70 of 73)**  
**Master Control Panel Wiring Harness Replacement (Sheet 7 of 7)**

11. Connect lead (circuit 76A) to fuel pump circuit breaker (S).
12. Connect lead (circuit 54) to fuel shutoff circuit breaker (T).
13. Connect lead (circuit 38/516A) to IR (night vision) power circuit breaker (U).



14. Connect lead (circuit 920) to gas particulate circuit breaker (V).
15. Position connector (W) onto panel.
16. Using flat-tip screwdriver on screws (X) and 11/32 inch wrench on nuts (Y), install four screws (X), lockwasher (Z) and nuts (Y) to secure connector (W) to panel (E).
17. Install panel in vehicle (page 10-36).

End of Task

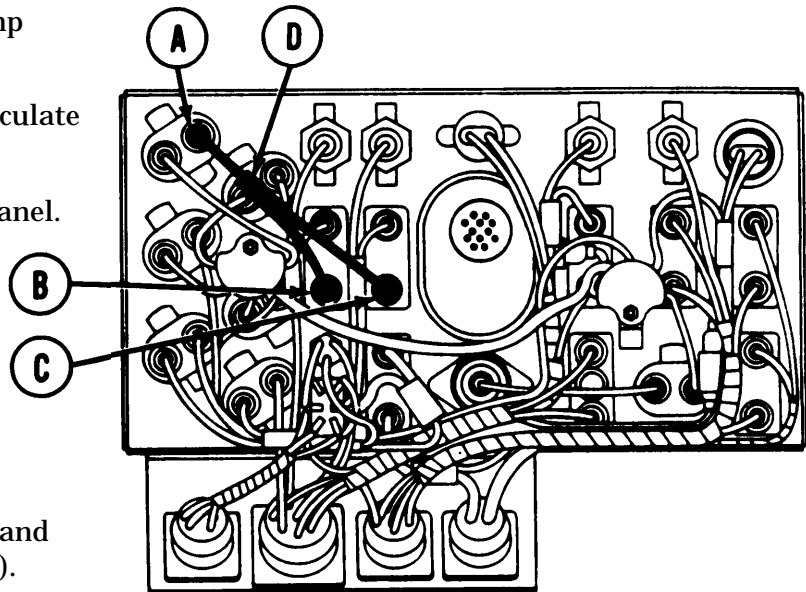
**MASTER CONTROL PANEL REPAIR (Sheet 71 of 73)**  
**Gas Particulate And Bilge Pump Lead Assembly Replacement (Sheet 1 of 1)**

SUPPLIES: Silicone compound Item 32, Appendix D)

PRELIMINARY PROCEDURE: Remove panel from vehicle (page 10-34).

REMOVAL:

1. Remove connector from bilge pump and gas particulate circuit breaker (A).
2. Remove connector from bilge pump switch (B).
3. Remove connector from gas particulate switch (C).
4. Remove lead assembly (D) from panel.



INSTALLATION:

1. Apply silicone compound to three connectors on cable (D).
2. Connect connector to bilge pump and gas particulate circuit breaker (A).
3. Connect connector to bilge pump switch (B).
4. Connect connector to gas particulate switch (C).
5. Install panel in vehicle (page 10-36).

End of Task



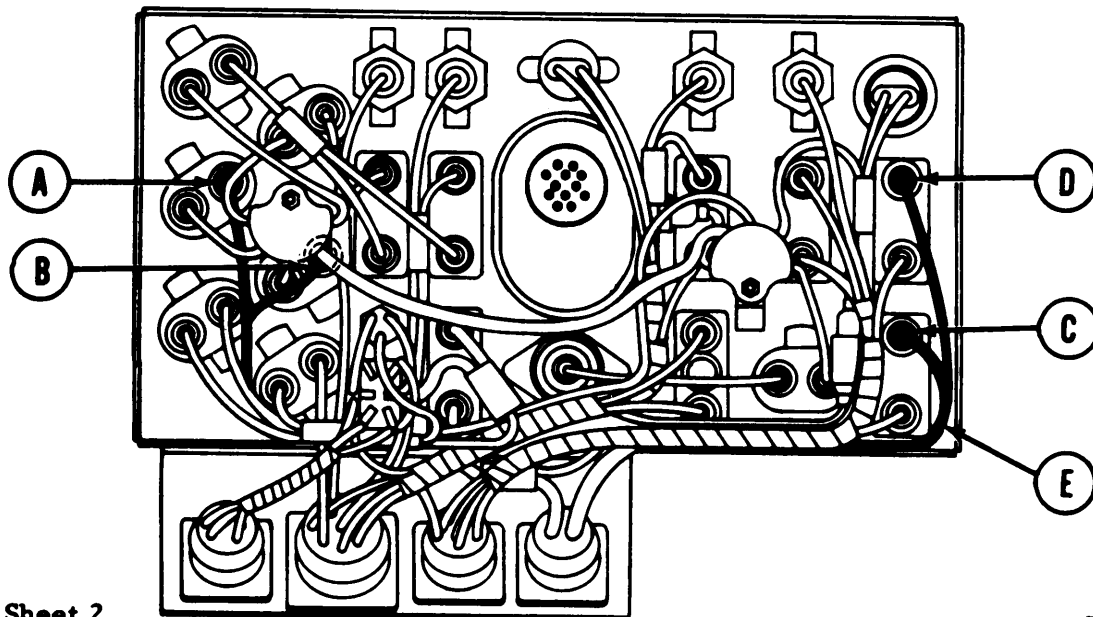
**MASTER CONTROL PANEL REPAIR (Sheet 72 of 73)**  
**Fuel Shutoff Wiring Harness Replacement (Sheet 1 of 2)**

**SUPPLIES:** Silicone compound (Item 32, Appendix D)

**PRELIMINARY PROCEDURE:** Remove panel from vehicle (page 10-34).

**REMOVAL:**

1. Remove circuit 54 connector from fuel shutoff circuit breaker (A).
2. Remove circuit 76 connector from fuel pump circuit (B).
3. Disconnect circuit 76 connector from fuel pump switch (C).
4. Remove circuit 54 connector fuel shutoff switch (D).
5. Remove wiring harness (E).



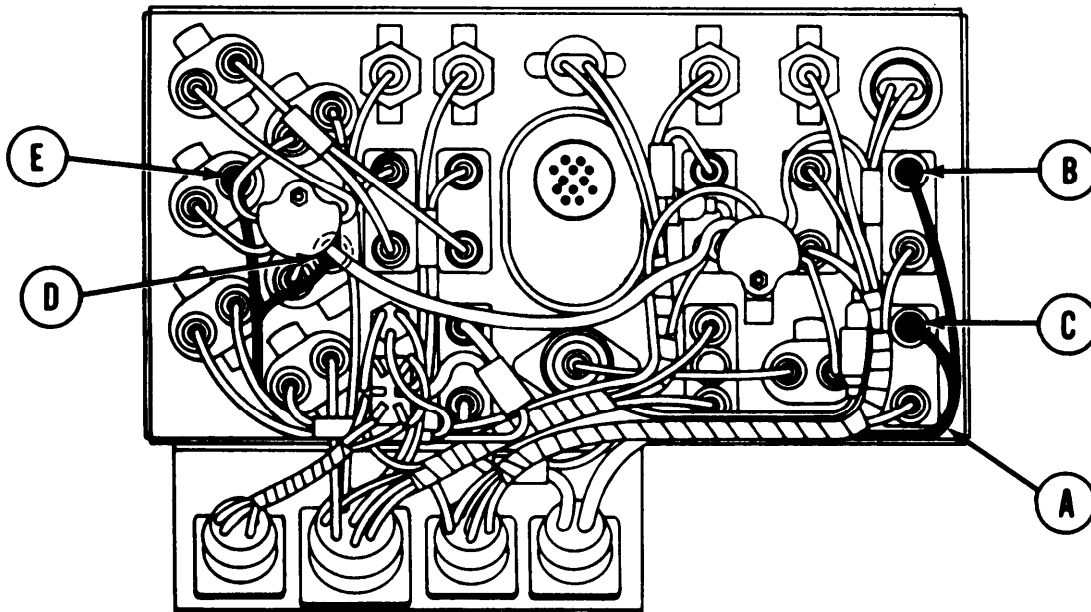
Go on to Sheet 2

TA168760

**MASTER CONTROL PANEL REPAIR (Sheet 73 of 73)**  
**Fuel Shutoff Wiring Harness Replacement (Sheet 2 of 2)**

INSTALLATION:

1. Place wiring harness (A) in position in master control panel.
2. Apply silicone compound to four male electrical connectors of wiring harness (A).
3. Connect circuit 54 connector to fuel shutoff switch (B).
4. Connect circuit 76 connector to fuel pump switch (C) by pushing together.
5. Connect circuit 76 connector to fuel pump circuit breaker (D).
6. Connect circuit 54 connector fuel shutoff circuit breaker (E).
7. Install panel in vehicle (page 10-36).



End of Task

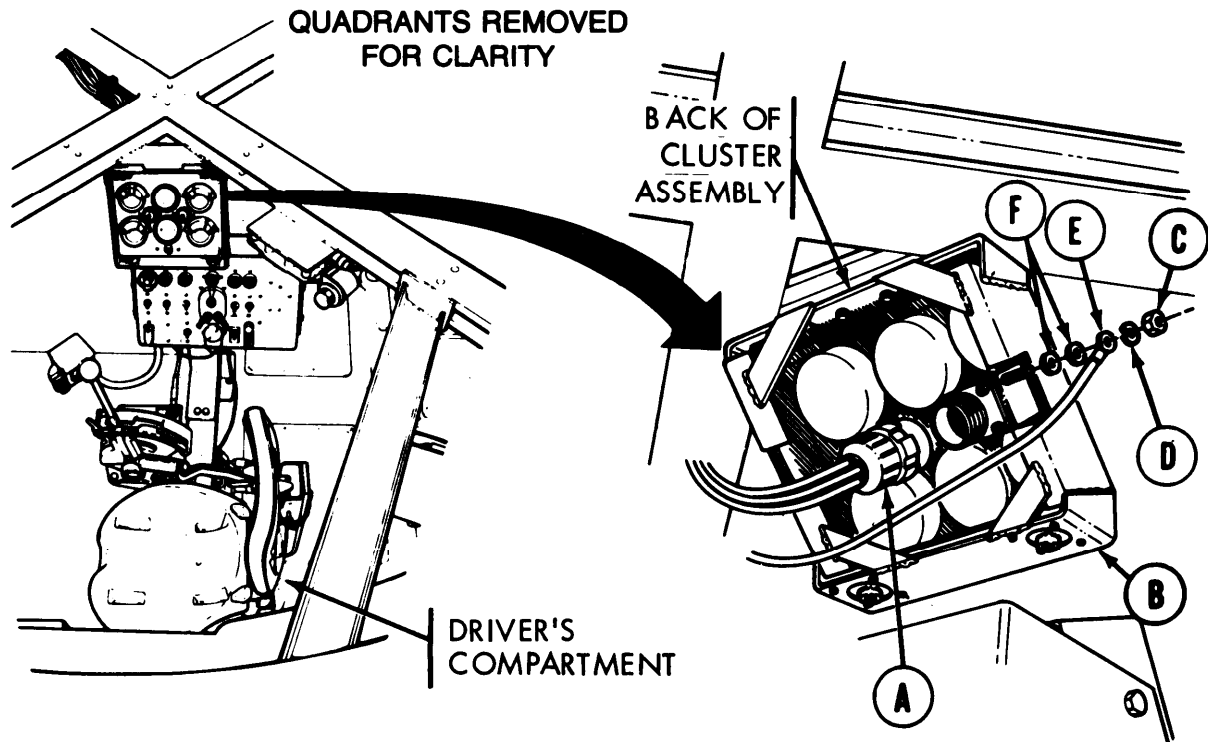
TA168761

**INSTRUMENT PANEL CLUSTER ASSEMBLY REPLACEMENT (Sheet 1 of 3)**

**TOOLS:** 7/16 in. socket with 1/2 in. drive  
 Ratchet with 1/2 in. drive  
 Flat-tip screwdriver  
 Spanner wrench

**REFERENCES:** TM 5-5420-226-10

**PRELIMINARY PROCEDURE:** Remove three battery ground straps (page 10-268)



**REMOVAL:**

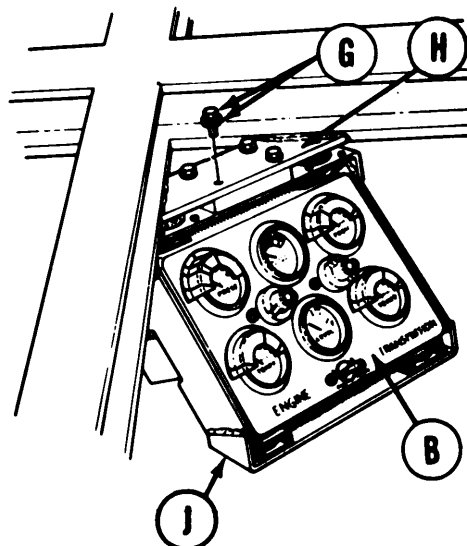
1. Using spanner wrench, remove electrical connector (A) from rear of panel (B).
2. Using socket, remove nut (C) and lockwasher (D) securing ground strap (E) to panel (B).
3. Remove ground strap (E) and two lockwashers (F) from panel (B).

Go on to Sheet 2

TA168762

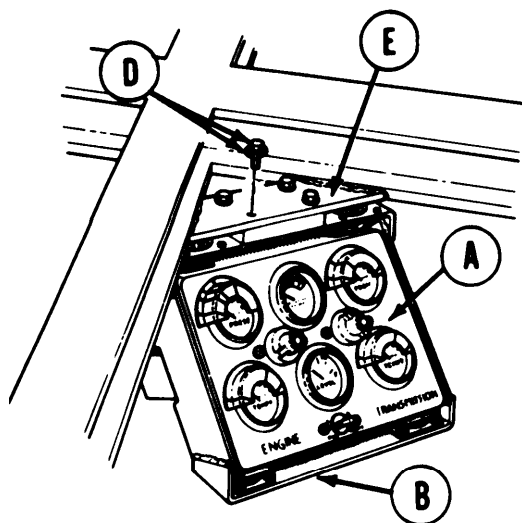
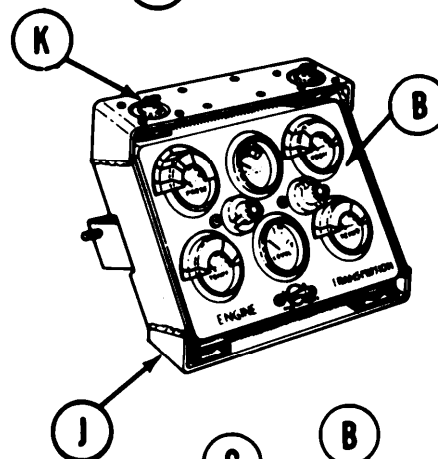
INSTRUMENT PANEL CLUSTER ASSEMBLY REPLACEMENT (Sheet 2 of 3)

4. Using socket, remove four screws and lockwashers (G) securing panel (B) to mounting plate (H).
5. Remove panel (B) and mounting support (J) from vehicle.
6. Using screwdriver and wrench, remove four screws, lockwashers, and nuts (K) securing panel (B) to mounting support (L). Throw lockwashers (K) away.
7. Remove panel (B) from mounting support (J).

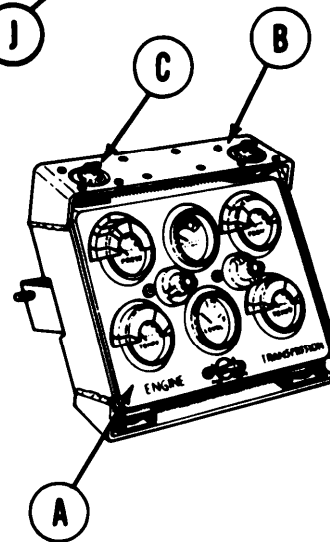


INSTALLATION:

1. Place panel (A) in position on mounting support (B).
2. Using screwdriver and wrench; install four screws, new lockwashers, and nuts (C) securing panel (A) to mounting support (B).



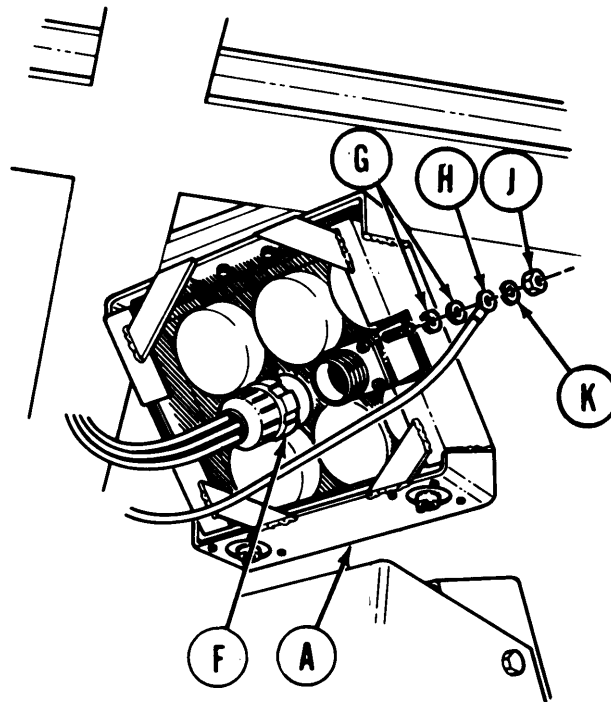
3. Place panel (A) and mounting support (B) in position in vehicle.
4. Using socket, install four screws and lockwashers (D) securing panel (A) to mounting plate (E).



Go on to Sheet 3

TA168763

## INSTRUMENT PANEL CLUSTER ASSEMBLY REPLACEMENT (Sheet 3 of 3)



5. Using spanner wrench, connect electrical connector (F) to rear of panel (A).
6. Place two lockwashers (G), and ground strap (H) in position on rear of panel (A).
7. Using socket, install nut (J) and lockwasher (K), securing ground strap to rear of panel (A).
8. Connect three battery ground straps to batteries (page 10-268).
9. Check instrument panel for operation (TM 5-5420-226-10).

End of Task

**INSTRUMENT PANEL CLUSTER ASSEMBLY REPAIR (Sheet 1 of 23)**  
**Procedure Index (Sheet 1 of 1)**

PROCEDURE INDEX

PROCEDURE	PAGE
(A) Engine Oil Pressure Indicator Replacement	10-115
(B) Battery Generator Indicator Replacement	10-117
(C) Transmission Oil Pressure Indicator Replacement	10-119
(D) Gage Illumination Indicator Light Replacement	10-121
(E) Engine Oil Temperature Indicator Replacement	10-123
(F) Fuel Tank Liquid Quantity Indicator Replacement	10-125
(G) Transmission Oil Temperature Indicator Replacement	10-128
(H) Fuel Tank Selector Switch Replacement	10-130
(J) Instrument Panel Wiring Harness Replacement	10-132
(K) Fuel Tank Selector Switch Cable Assembly Replacement	10-136 TA168765

**INSTRUMENT PANEL CLUSTER ASSEMBLY REPAIR (Sheet 2 of 23)**  
**Engine Oil Pressure Indicator Replacement (Sheet 1 of 2)**

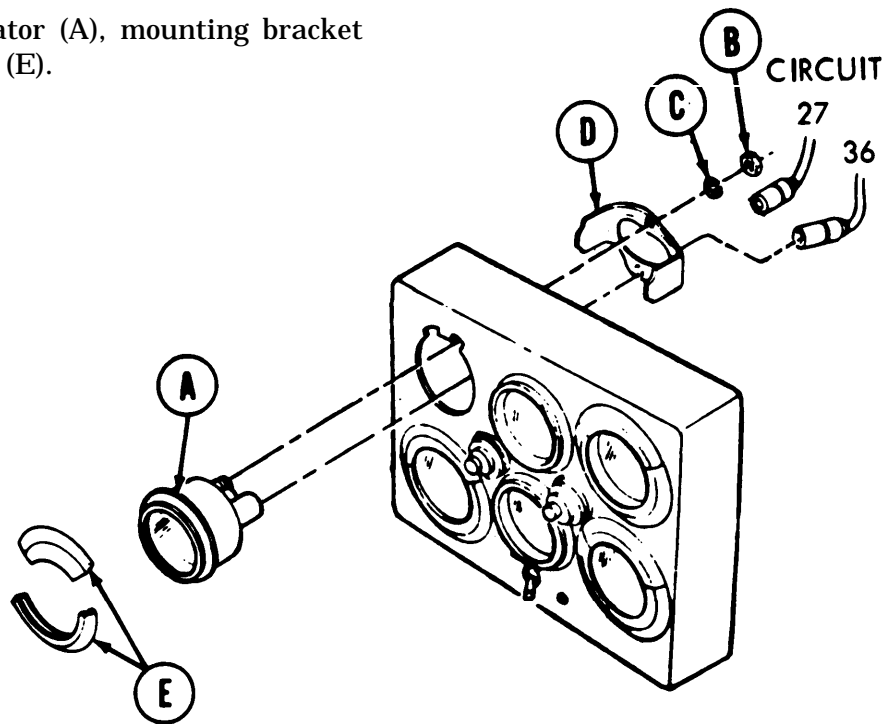
TOOLS: 3/8 in. combination box and open end wrench

SUPPLIES: Silicone compound (Item 32, Appendix D)

PRELIMINARY PROCEDURE: Remove instrument panel from vehicle (page 10-111)

REMOVAL:

1. Remove two leads (circuits 27 and 36) from rear of indicator (A) by pulling out.
2. Using wrench, remove two nuts (B) and lockwashers (C) securing indicator (A) and mounting bracket (D) to panel.
3. Remove indicator (A), mounting bracket (D), and bezel (E).



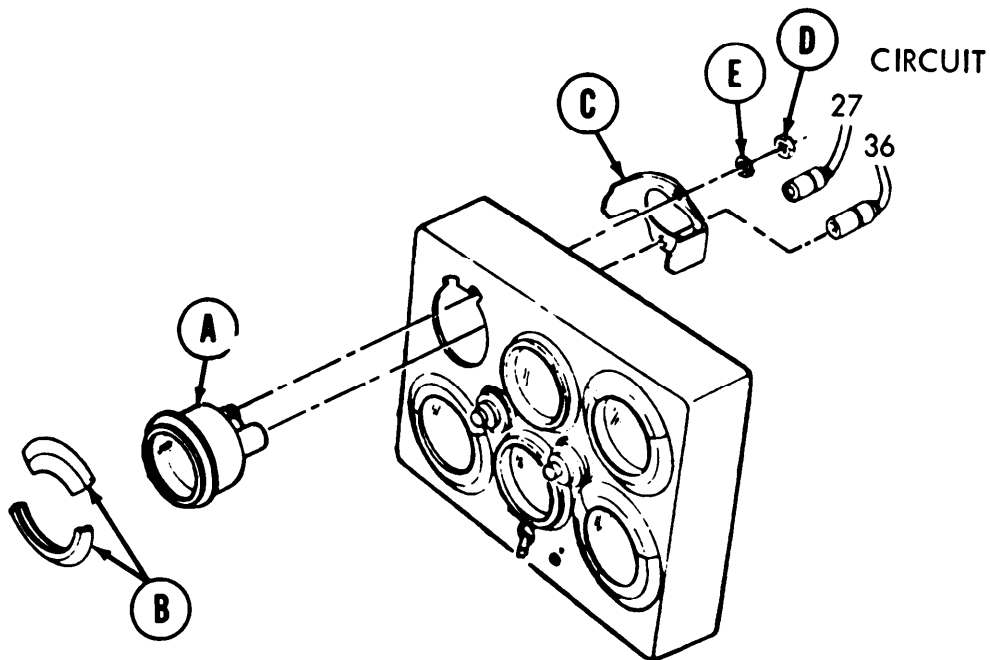
Go on to Sheet 2

TA168766

**INSTRUMENT PANEL CLUSTER ASSEMBLY REPAIR (Sheet 3 of 23)**  
**Engine Oil Pressure Indicator Replacement (Sheet 2 of 2)**

INSTALLATION:

1. Apply silicone compound to two indicator (A) electrical connectors
2. Place bezel (B) on indicator (A) and place in position on panel.
3. Place mounting bracket (C) in position on rear of indicator (A).
4. Using wrench, install two nuts (D) and lockwashers (E).



5. Connect two leads (circuits 27 and 36) to rear of indicator (A) by pushing in.
6. Install panel in vehicle (page 10-112).

End of Task



**INSTRUMENT PANEL CLUSTER ASSEMBLY REPAIR (Sheet 4 of 23)**  
**Battery Generator Indicator Replacement (Sheet 1 of 2)**

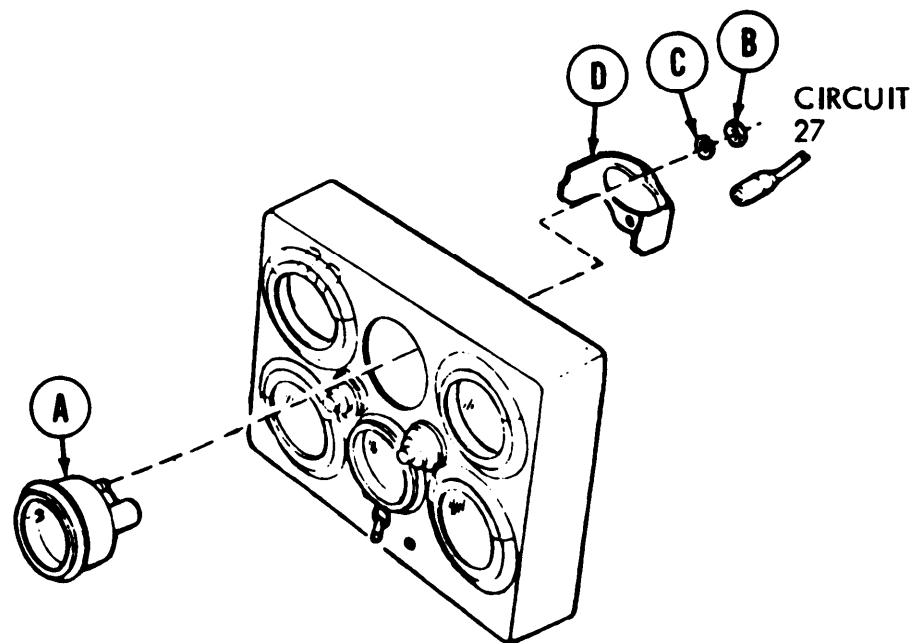
**TOOLS:** 3/8 in. combination box and open end wrench

**SUPPLIES:** Silicone compound (Item 32, Appendix D)

**PRELIMINARY PROCEDURE:** Remove instrument panel from vehicle (page 10-111)

**REMOVAL:**

1. Remove lead (circuit 27) from rear of indicator (A) by Pulling out
2. Using wrench, remove two nuts (B) and lockwashers (C) securing indicator (A) and mounting bracket (D) to panel.
3. Remove Indicator (A) and mounting bracket (D).



**INSTALLATION:**

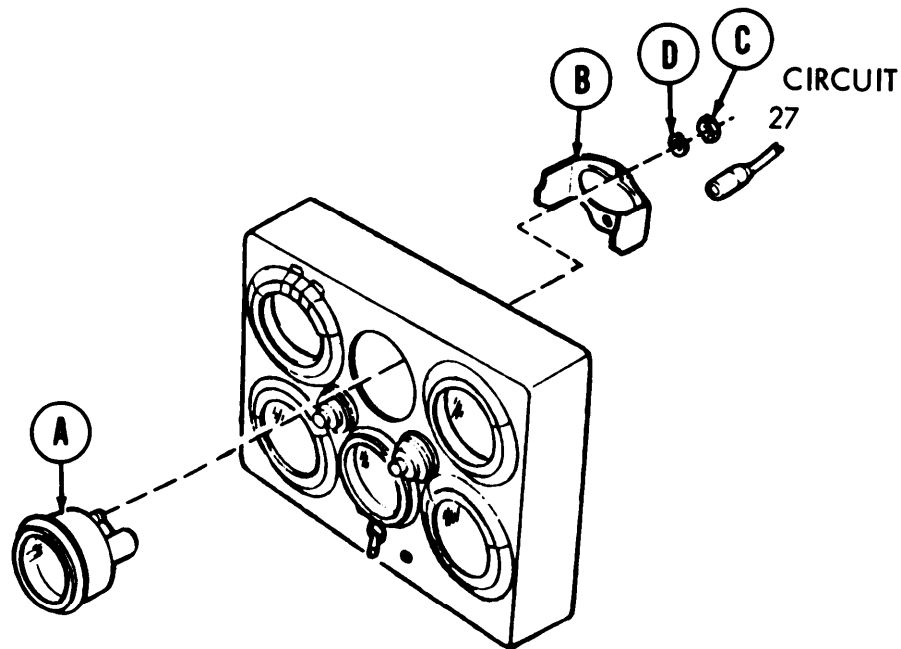
1. Apply silicone compound to indicator (A) electrical connector.

Go on to Sheet 2

TA168768

**INSTRUMENT PANEL CLUSTER ASSEMBLY REPAIR (Sheet 5 of 23)**  
**Battery Generator Indicator Replacement (Sheet 2 of 2)**

2. Place indicator (A) in position in panel.
3. Place mounting bracket (B) in position on indicator (A).
4. Using wrench, install two nuts (C) lockwashers (D) securing indicator (A) and mounting bracket (B) on panel.



5. Connect lead (circuit 27) to rear of indicator (A) by pushing in.
6. Install panel in vehicle (page 10-112).

End of Task

**INSTRUMENT PANEL CLUSTER ASSEMBLY REPAIR (Sheet 6 of 23)**  
**Transmission Oil Pressure Indicator Replacement (Sheet 1 of 2)**

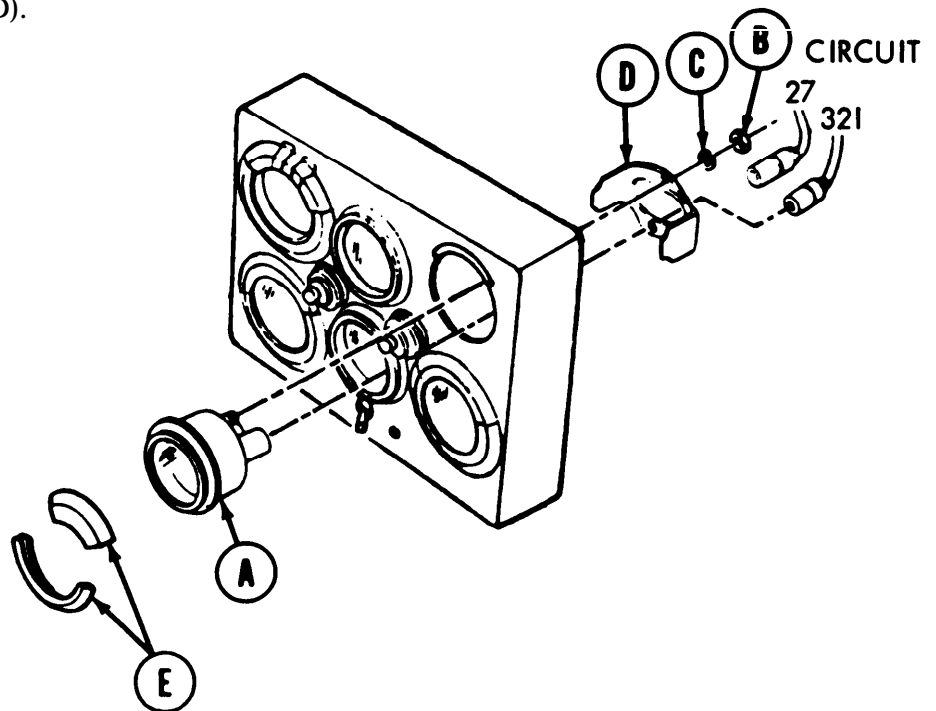
TOOLS: 3/8 in. combination box and open end wrench

SUPPLIES: Silicone compound (Item 32, Appendix D)

PRELIMINARY PROCEDURE: Remove instrument panel from vehicle (page 10-111)

REMOVAL:

1. Remove two leads (circuits 27 and 321) from rear of indicator (A) by Pulling out.
2. Using wrench, remove two nuts (B) and lockwashers (C) securing indicator (A) and mounting bracket (D) to panel.
3. Remove indicator (A), bezel (E), and mounting bracket (D).



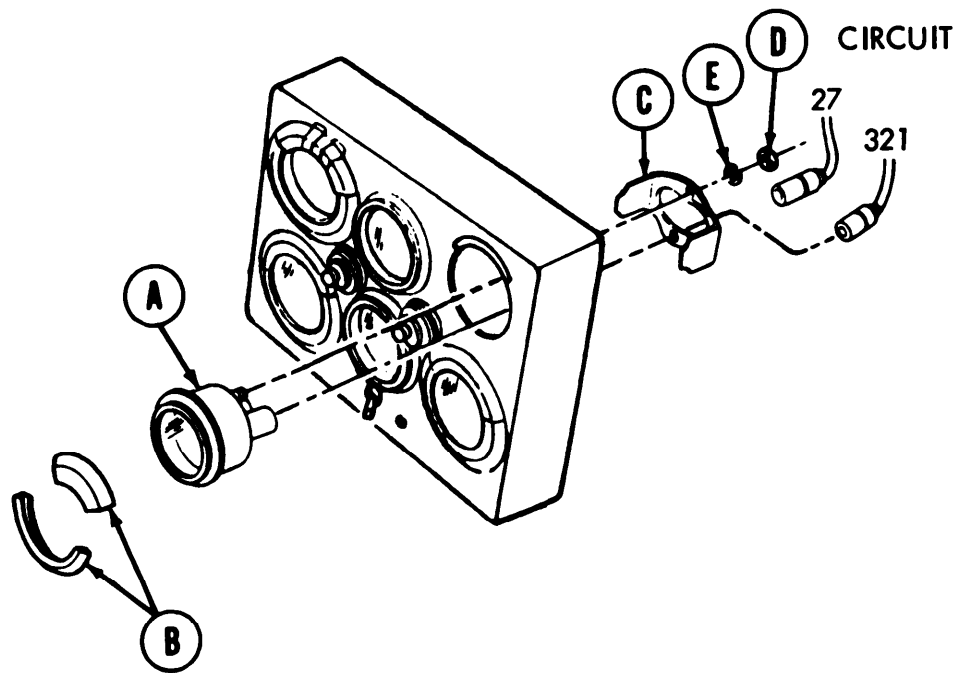
Go on to Sheet 2

TA168770

**INSTRUMENT PANEL CLUSTER ASSEMBLY REPAIR (Sheet 7 of 23)**  
**Transmission Oil Pressure Indicator Replacement (Sheet 2 of 2)**

INSTALLATION

1. Apply silicone compound to two indicator (A) electrical connectors.
2. Place bezel (B) in position on indicator (A).
3. Place indicator (A) and bezel (B) in position in panel.
4. Place mounting bracket (C) in position on indicator (A).
5. Using wrench, install two nuts (D) and lockwashers (E) securing indicator (A) and mounting bracket (C) to panel.



6. Connect two leads (circuits 27 and 321) to rear of indicator (A) by pushing in.
7. Install panel in vehicle (page 10-112).

End of Task

**INSTRUMENT PANEL CLUSTER ASSEMBLY REPAIR (Sheet 8 of 23)**  
**Gage Illumination Indicator Light Replacement (Sheet 1 of 2)**

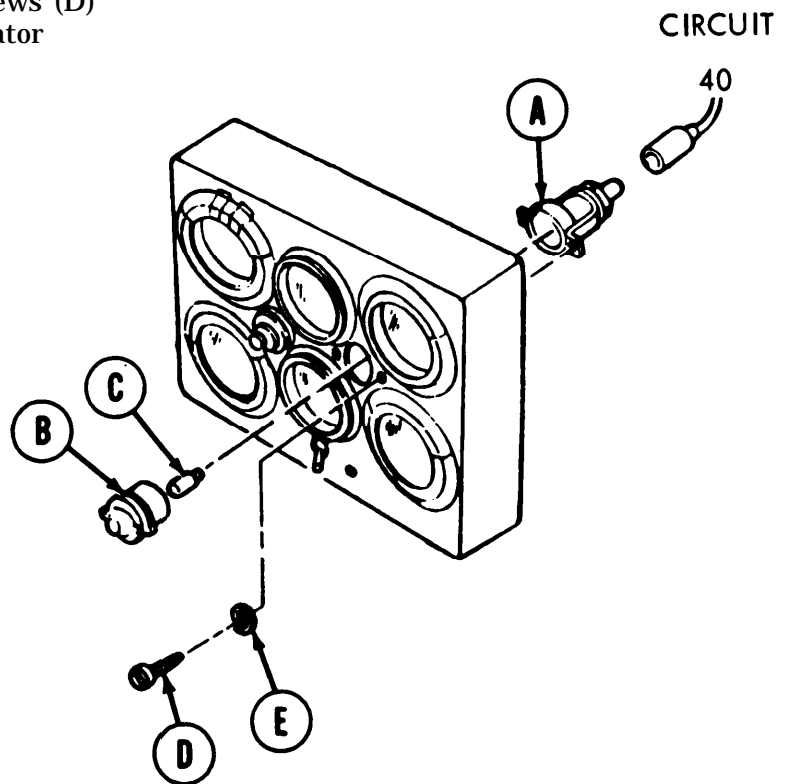
**TOOLS:** Flat-tip screwdriver

**SUPPLIES:** Silicone compoud (Item 32, Appendix D)

**PRELIMINARY PROCEDURE:** Remove instrument panel from vehicle (page 10-111)

**REMOVAL:**

1. Remove lead (circuit 40) from rear of indicator light (A) by pulling out.
2. Remove lens (B) by turning to left.
3. Remove lamp (C) by pushing in turning counterclockwise.
4. Using screwdriver, remove two screws (D) and lockwashers (E) securing indicator light (A) to panel.
5. Remove indicator light (A).



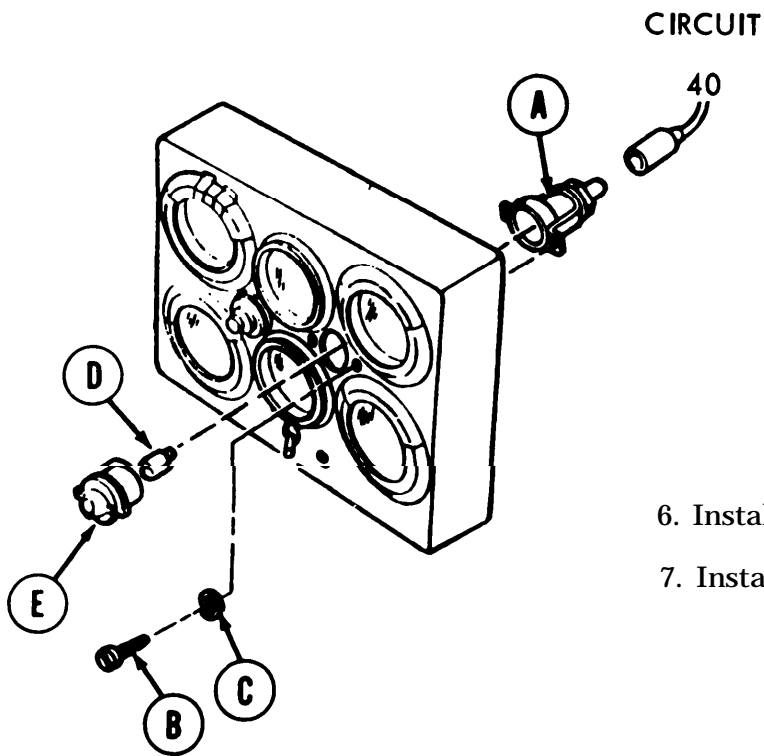
Go on to Sheet 2

TA168772

**INSTRUMENT PANEL CLUSTER ASSEMBLY REPAIR (Sheet 9 of 23)**  
**Gage Illumination Indicaor Light Replacement (Sheet 2 of 2)**

INSTALLATION:

1. Apply silicone compound to indicator light (A) (circuit 40).
2. Connect lead (circuit 40) to rear of indicator light (A) by pushing in.
3. Place indicator light (A) in position in panel.
4. Using screwdriver, install two screws (B) and lockwashers (C) securing indicator light (A) to panel.
5. Install lamp (D) by pushing in turning clockwise.



6. Install lens (E) by turning clockwise.
7. Install panel in vehicle (page 10-112).

End of Task

TA168773

**INSTRUMENT PANEL CLUSTER ASSEMBLY REPAIR (Sheet 10 of 23)**  
**Engine Oil Temperature Indicator Replacement (Sheet 1 of 2)**

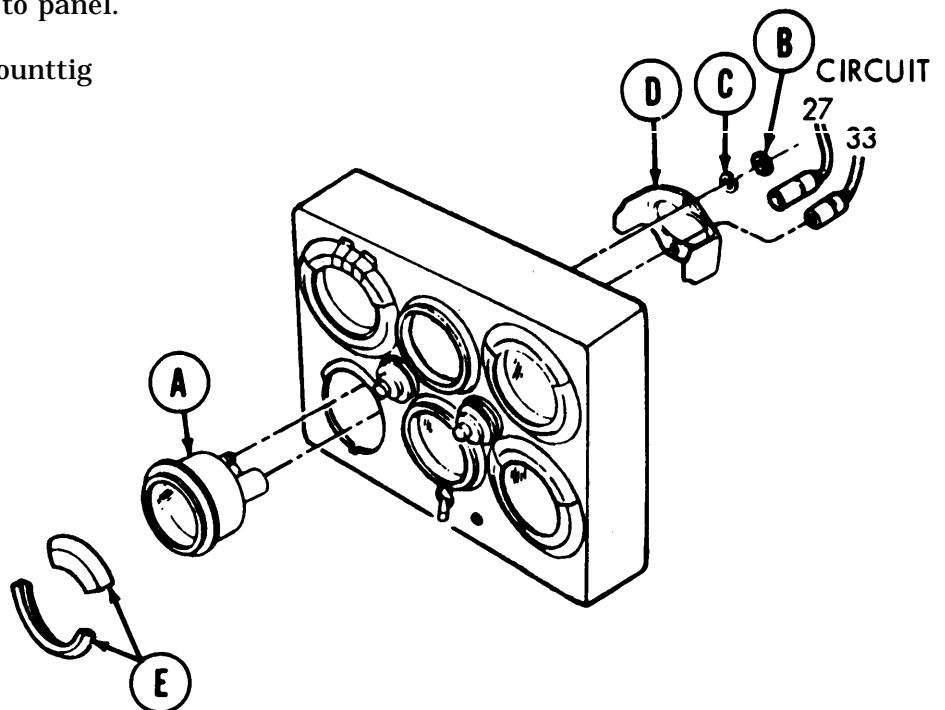
**TOOLS:** 3/8 in. combination box and open end wrench

**SUPPLIES:** Silicone compound (Item 32, Appendix D)

**PRELIMINARY PROCEDURE:** Remove instrument panel from vehicle (page 10-111)

**REMOVAL:**

1. Remove two leads (circuits 33 and 27) from indicator (A) by pulling out.
2. Using wrench, remove two nuts (B) and lockwashers (C) securing indicator (A) and mounting bracket (D) to panel.
3. Remove indicator (A), mounting bracket (D) and bezel (E).



**INSTALLATION:**

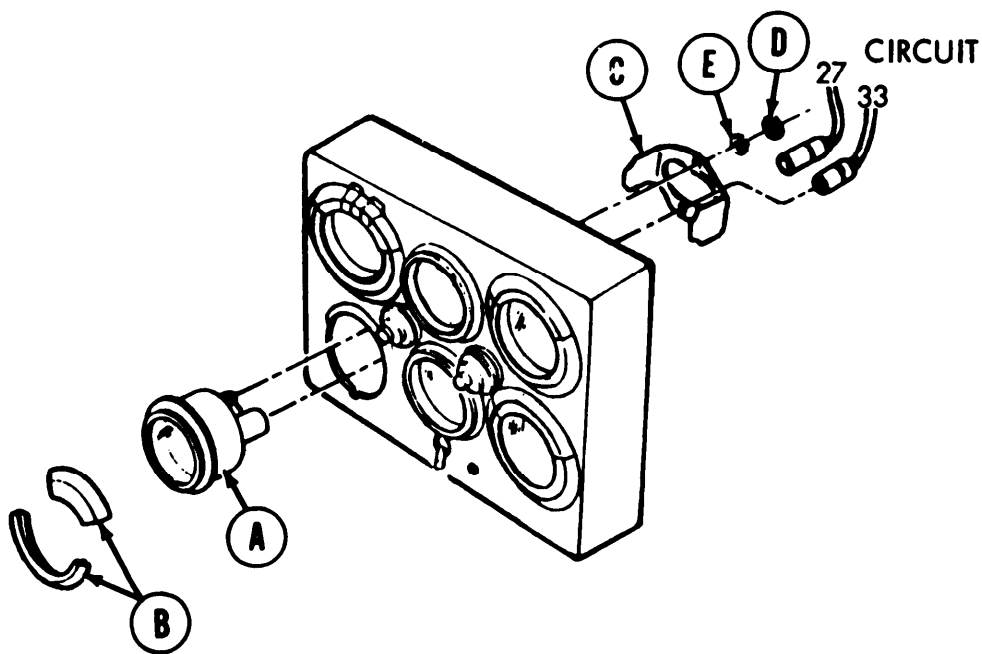
1. Apply silicone compound to two indicator (A) electrical connectors.

Go on to Sheet 2

TA168774

**INSTRUMENT PANEL CLUSTER ASSEMBLY REPAIR (Sheet 11 of 23)**  
**Engine Oil Temperature Indicator Replacement (Sheet 2 of 2)**

2. Place bezel (B) on indicator (A).
3. Place indicator with bezel (A and B) in position in panel.
4. Place mounting bracket (C) in position on indicator (A).
5. Using wrench, install two nuts (D) and lockwashers (E) securing indicator (A) to panel.
6. Connect two leads (circuits 27 and 33) to indicator (A) by pushing in.



7. Install panel in vehicle (page 10-112).

End of Task

TA168775



**INSTRUMENT PANEL CLUSTER ASSEMBLY REPAIR (Sheet 12 of 23)**  
**Fuel Tank Liquid Quantity Indicator Replacement (Sheet 1 of 3)**

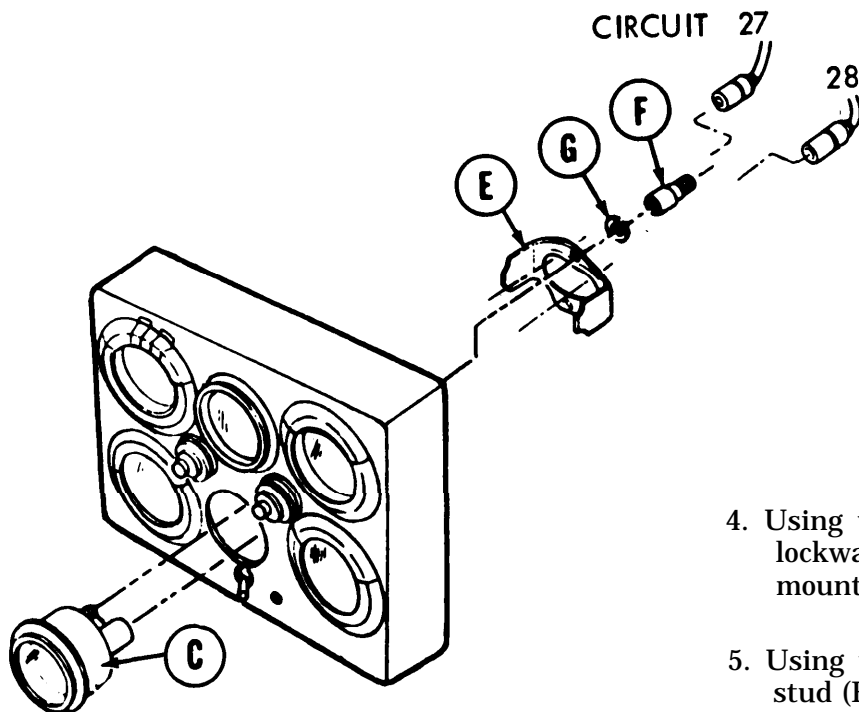
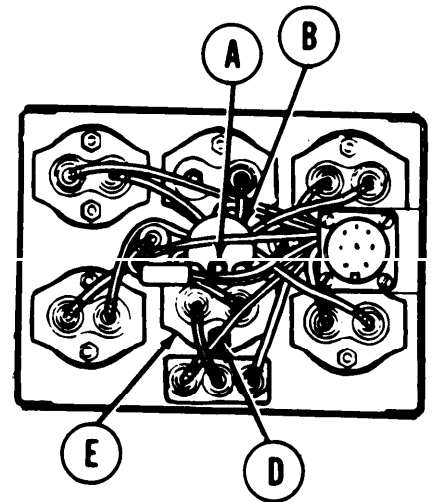
TOOLS: 3/8 in. combination box and open end wrench

SUPPLIES: Silicone compound (Item 32, Appendix D)

PRELIMINARY PROCEDURE: Remove instrument panel from vehicle (page 10-111)

REMOVAL:

1. Using wrench, remove nut and flat washer (A) securing harness junction (B) to panel.
2. Displace harness junction (B) and flat washer.
3. Disconnect two leads (circuits 27 and 28) from rear of indicator (C).



4. Using wrench remove nut and lockwasher (D) securing mounting bracket (E) to panel.
5. Using wrench, remove mounting stud (F) and lockwasher (G) securing bracket (E) to panel.
6. Remove indicator (C) and bracket (E) from panel.

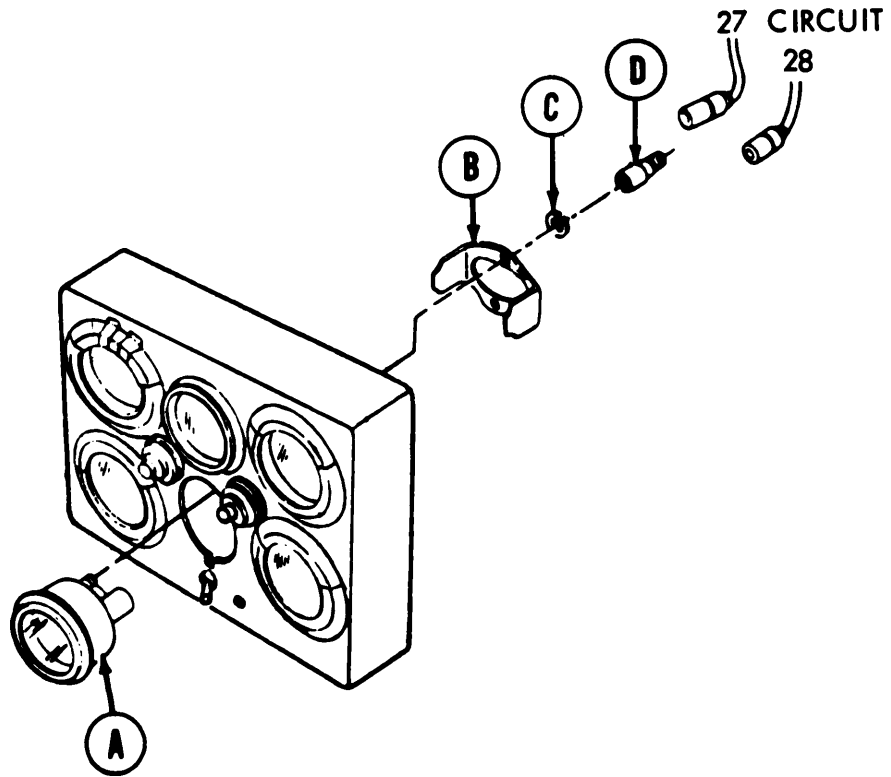
Go on to Sheet 2

TA168776

**INSTRUMENT PANEL CLUSTER ASSEMBLY REPAIR (Sheet 13 of 23)**  
**Fuel Tank Liquid Quantity Replacement (Sheet 2 of 3)**

INSTALLATION:

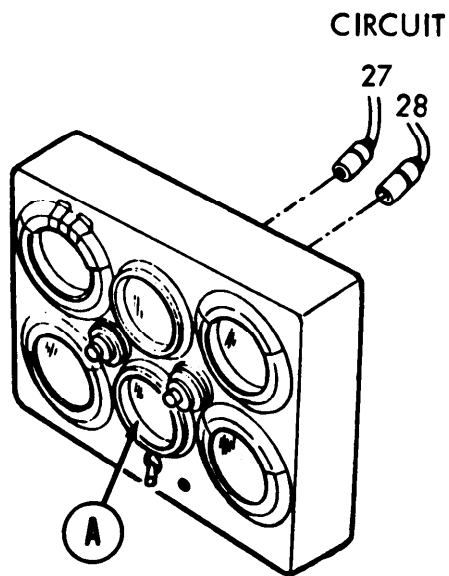
1. Apply silicone compound to two indicator (A) electrical connectors.
2. Place indicator (A) in position on panel.
3. Place mounting bracket (B) and lockwasher (C) in position on indicator (A).
4. Using wrench install stud (D).



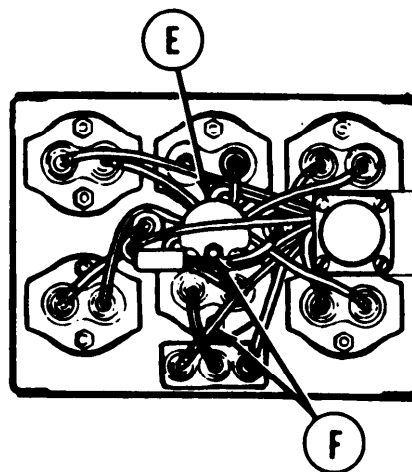
Go on to Sheet 3

TA168777

**INSTRUMENT PANEL CLUSTER ASSEMBLY REPAIR (Sheet 14 of 23)**  
**Fuel Tank Liquid Quantity Indicator Replacement (Sheet 3 of 3)**



5. Place two flat washers and harness junction (E) in position on stud.
6. Using wrench, install two nuts and lockwashers (F) securing harness junction (E) and indicator (A) to panel.
7. Connect two leads (circuits 27 and 28) to rear of indicator (A).
8. Install panel in vehicle (page 10-112).



End of Task

TA168778

**INSTRUMENT PANEL CLUSTER ASSEMBLY REPAIR (Sheet 15 of 23)**

**Transmission Oil Temperature Indicator Replacement (Sheet 1 of 2)**

TOOLS: 3/8 in. combination box and open end wrench

SUPPLIES Silicone compound Item 32, Appendix D)

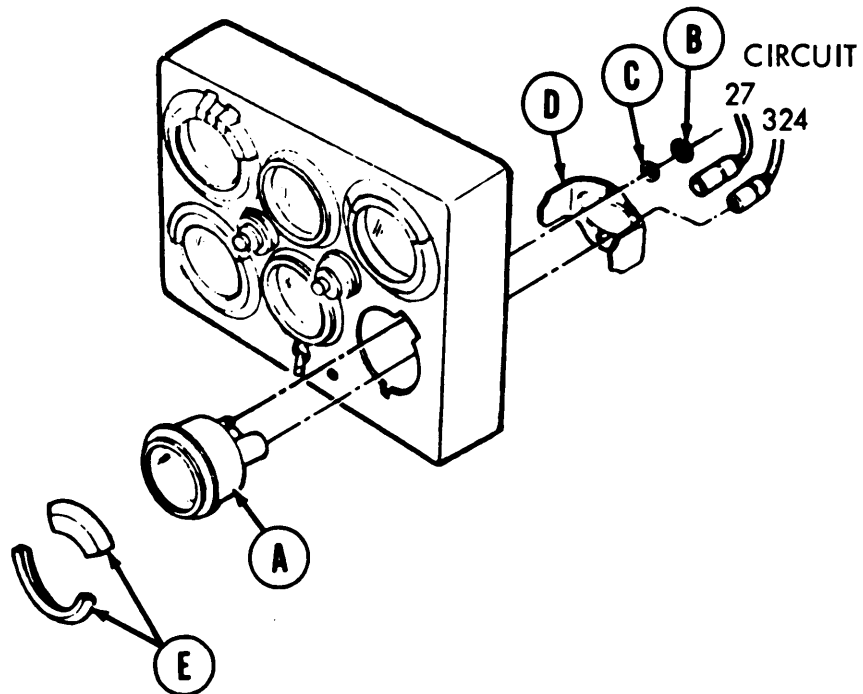
PRELIMINARY PROCEDURE: Remove instrument panel from vehicle (page 10-111)

**REMOVAL:**

1. Remove two leads (circuits 324 and 27 ) from rear of indicator (A) by pulling out.
2. Using wrench, remove two nuts (B) and lockwashers (C) securing indicator (A) and mounting bracket (D) to panel.
3. Remove indicator (A), mounting bracket (D), and bezel (E).

**INSTALLATION:**

1. Apply 'silicone compound to two indicator (A) electrical connector

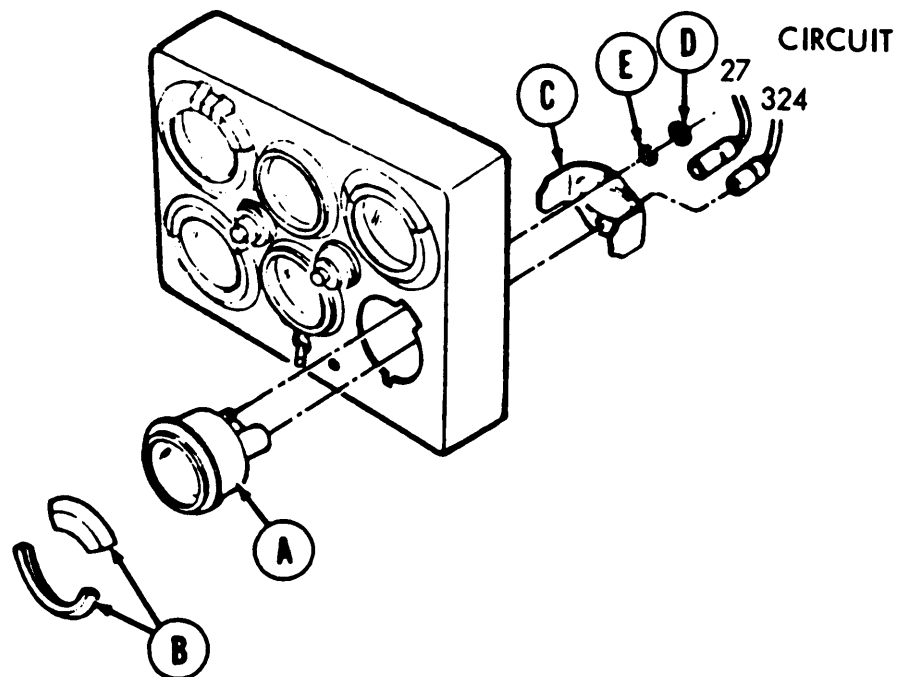


Go on to Sheet 2

TA168779

**INSTRUMENT PANEL CLUSTER ASSEMBLY REPAIR (Sheet 16 of 23)**  
**Transmission Oil Temperature Indicator Replacement (Sheet 2 of 2)**

2. Place bezel (B) position on indicator (A).
3. Place indicator (A) with bezel (B) in position in panel.
4. Place mounting bracket (C) in position on indicator (A).



5. Using wrench install two nuts (D) and lockwashers (E) securing indicator (A) and mounting bracket (C) in position on panel.
6. Connect two leads (circuits 324 and 27) to rear of indicator (A) by pushing in.
7. Install panel in vehicle (page 10-112).

**INSTRUMENT PANEL CLUSTER ASSEMBLY REPAIR (Sheet 17 of 23)**  
**Fuel Tank Sor Switch Replacement (Sheet 2 of 2)**

**TOOLS:** Flat-tip screwdriver

**SUPPLIES:** Silicone compound (Item 32, Appendix D)

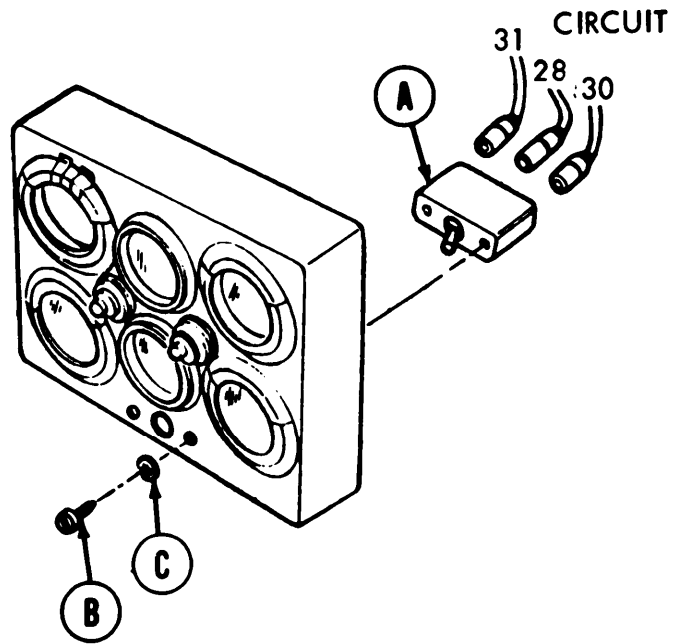
**PRELIMINARY PROCEDURE:** Remove instrument panel from vehicle (page 10-111)

**REMOVAL:**

1. Remove three leads (circuits 30, 28, and 31) from rear of switch (A) by pulling out.
2. Using screwdriver, remove two screws (B) and two lockwashers (C) securing switch (A) to panel.
3. Remove switch (A).

**INSTALLATION:**

1. Apply silicone compound to three switch (A) leads (circuits 30, 28, and 31).
2. Place switch (A) in position in panel.
3. Using screwdriver, install two screws (B) and lockwashers (C) securing switch (A) to panel.

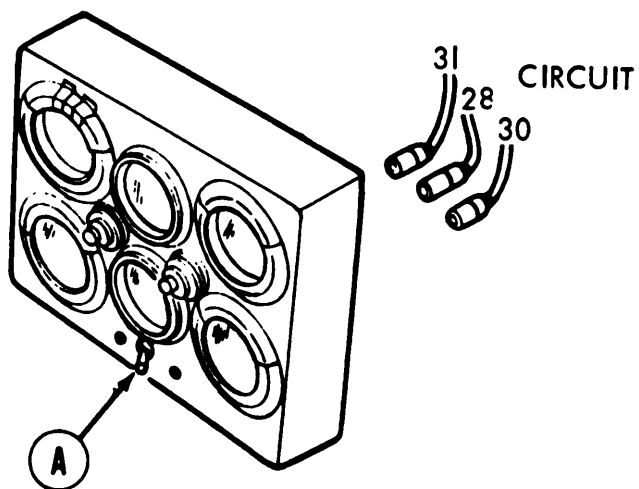


Go on to Sheet 2

TA168781

**INSTRUMENT PANEL CLUSTER ASSEMBLY REPAIR (Sheet 18 of 23)**  
**Fuel Tank Selector Switch Replacement (Sheet 2 of 2)**

4. Connect three leads (circuits 30, 28, and 31) to rear of switch (A).
5. Install panel in vehicle (page 10-112).



End of Task

**INSTRUMENT PANEL CLUSTER ASSEMBLY REPAIR (Sheet 19 of 23)**  
**Instrument Panel Wiring Harness Replacement (Sheet 1 of 4)**

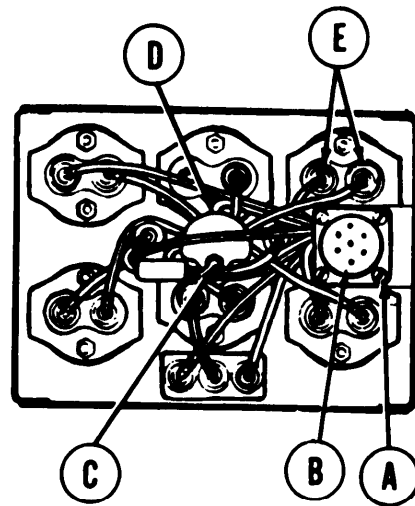
TOOLS: 3/8 in. combination box and open end wrench  
Flat-tip screwdriver

SUPPLIES Silicone compound (Item 32, Appendix D)

PRELIMINARY PROCEDURE: Remove instrument panel from vehicle (page 10-111)

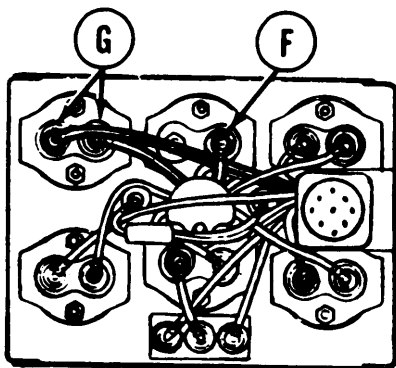
REMOVAL:

1. Using screwdriver, remove four screws and lockwashers (A) securing receptacle connector (B) to panel.
2. Using wrench, remove nut and flat washer (C) securing harness junction (D) to panel. Displace harness junction (D) and remove flat washer.
3. Disconnect two leads (circuits 27 and 36) from engine oil pressure gage (E) by pulling out.



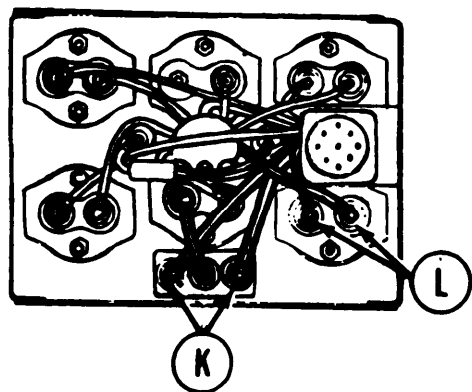
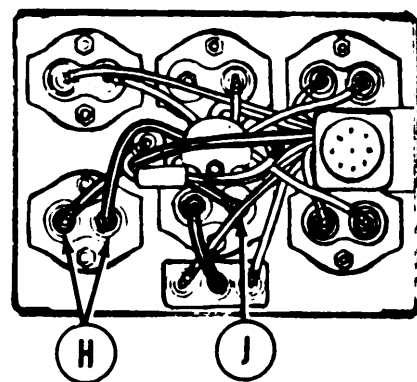


**INSTRUMENT PANEL CLUSTER ASSEMBLY REPAIR (Sheet 20 of 23)**  
**Instrument Panel Wiring Harness Replacement (Sheet 2 of 4)**



4. Disconnect one lead (circuit 27) from battery indicator gage (F).
5. Disconnect two leads (circuits 27 and 321) from transmission oil pressure indicator (G).

6. Disconnect two leads (circuits 27 and 324) from transmission oil temperature indicator (H).
7. Disconnect lead (circuit 27) from fuel gage indicator (J).



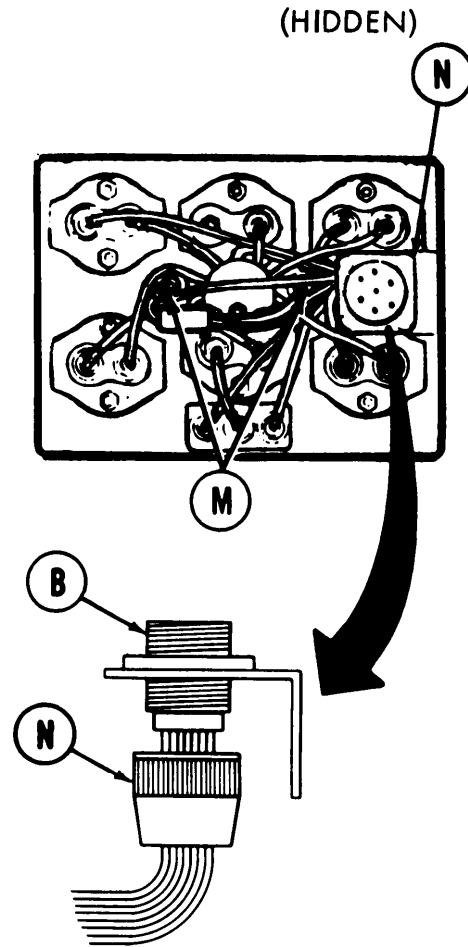
8. Disconnect two leads (circuits 30 and 31) from fuel switch (K).
9. Disconnect two leads (circuits 33 and 27) from engine oil temperature indicator (L).

Go on to Sheet 3

TA168784

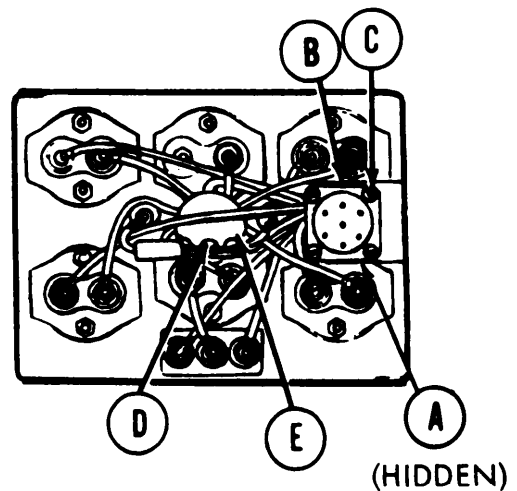
**INSTRUMENT PANEL CLUSTER ASSEMBLY REPAIR (Sheet 21 of 23)**  
**Instrument Panel Wiring Harness- Replacement ( 3 of 4)**

10. Disconnect two leads (circuit 40) from two panel lights (M).
11. Loosen receptacle connector retainer nut (N) hidden and slide back on leads.
12. Remove wiring harness from panel.



**INSTALLATION**

1. Apply silicone compound to sixteen lead connectors of instrument panel wiring harness.
2. Place wiring harness in position in panel.
3. Using fingers, tighten receptacle connector retainer nut (A) (hidden) to receptacle connector (B).
4. Using screwdriver, install four screws and lockwashers (C) securing receptacle connector (B) to panel.
5. Using wrench, install nut and lockwasher (D) securing harness junction (E) to panel.

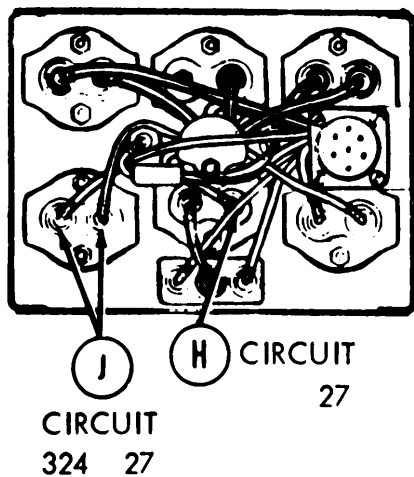
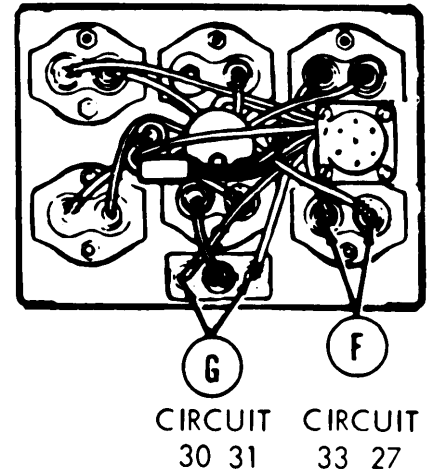


Go on to Sheet 4

TA168785

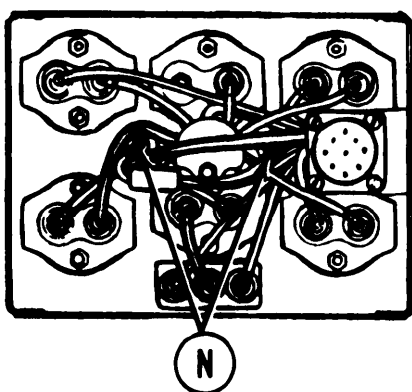
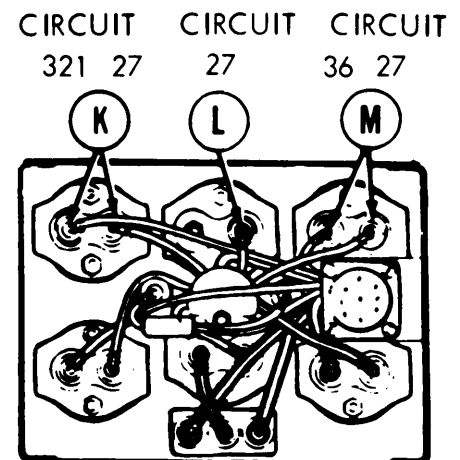
**INSTRUMENT PANEL CLUSTER ASSEMBLY REPAIR (Sheet 22 of 23)**  
**Instrument Panel Wiring Harness Replacement (Sheet 4 of 4)**

6. Connect two leads (circuits 27 and 33) to engine oil temperature indicator (F).
7. Connect two leads (circuits 30 and 31) to fuel switch (G).



8. Connect lead (circuit 27) to fuel gage indicator (H).
9. Connect two leads (circuits 27 and 324) to transmission oil temperature indicator (J).

10. Connect two leads (circuits 27 and 321) to transmission oil pressure indicator (K).
11. Connect lead (circuit 27) to battery indicator (L).
12. Connect two leads (circuits 27 and 36) to engine oil pressure indicator (M).



13. Connect two leads (circuit 40) to two panel lights (N).
14. Install panel in vehicle (page 10-112).

End of Task

TA168786

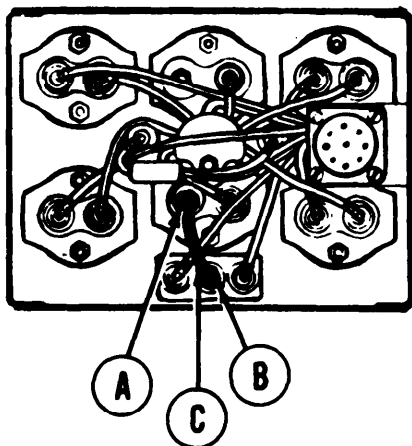
**INSTRUMENT PANEL CLUSTER ASSEMBLY REPAIR (Sheet 23 of 23)**  
**Fuel Tank Selector Switch Cable Assembly Replacement (Sheet 1 of 1 )**

SUPPLIES: Silicone compound (Item 32, Appendix D)

PRELIMINARY PROCEDURE: Remove instrument panel from vehicle (page 10-111)

REMOVAL:

1. Remove connector (circuit 28) from fuel tank indicator (A) by pulling out.
2. Remove other connector (circuit 28) from fuel tank selector switch (B).



3. Remove lead (C).

INSTALLATION:

1. Apply silicone compound to each connector (A) and (B) of cable assembly (C).
2. Connect one connector (circuit 28) to fuel tank indicator (A).
3. Connect other connector (circuit 28) to fuel tank selector switch (B).
4. Install panel in vehicle (page 10-112).

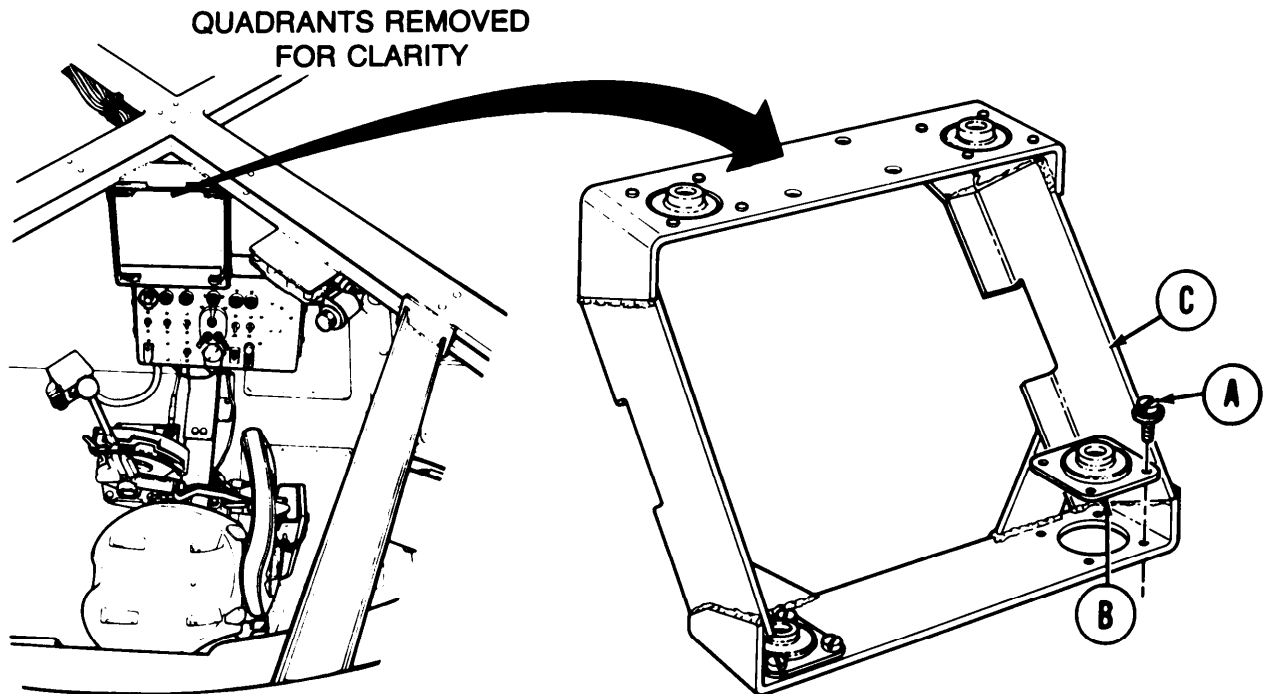
End of Task

TA168787

**INSTRUMENT PANEL CLUSTER ASSEMBLY MOUNTING SUPPORT AND CUSHION REPLACEMENT  
(Sheet 1 of 1)**

TOOLS: Flat-tip screwdriver

PRELIMINARY PROCEDURES: Remove instrument panel cluster assembly from vehicle  
(page 10-111)



**REMOVAL:**

1. Using screwdriver, remove four screws, lockwashers (A) from mounting cushion (B).
2. Remove cushion (B) from mounting support (C).

**INSTALLATION:**

1. Place mounting cushion (B) in position on mounting support (C).
2. Using screwdriver, install four screws, lockwashers (A) securing mounting cushion (B) to mounting support (C).
3. Install instrument panel cluster assembly in vehicle (page 10-112).

End of Task

TA168788

**MASTER RELAY ASSEMBLY REPLACEMENT (Sheet 1 of 3)**

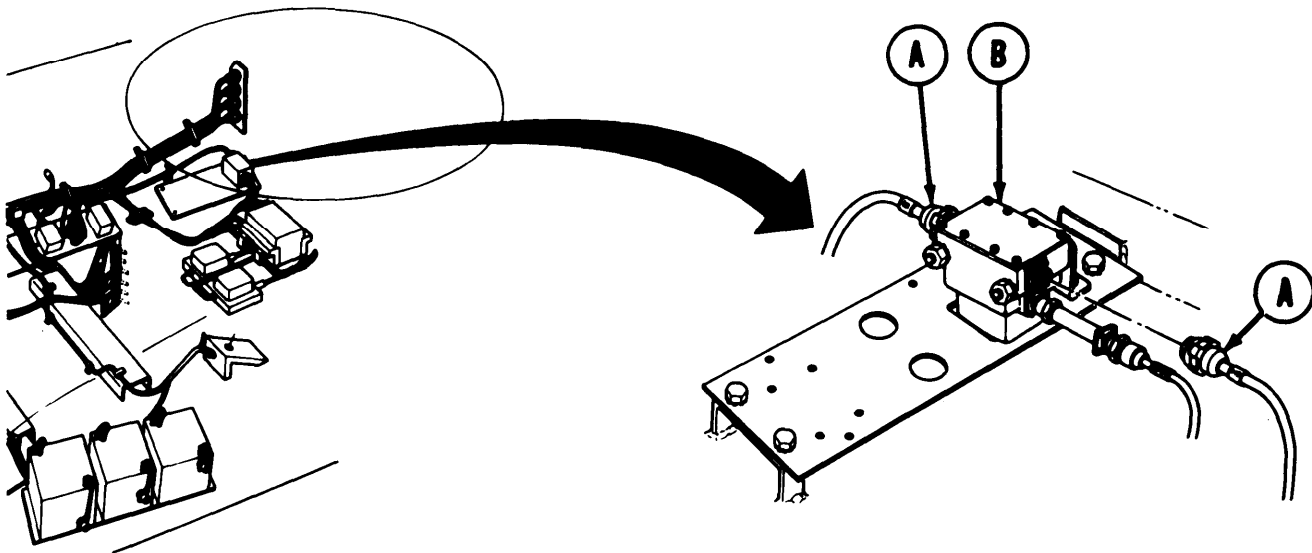
TOOLS: 7/8 in. open end wrench  
1/2 in. box end wrench (2 required)  
10 in. adjustable wrench  
Spanner wrench

REFERENCE: TM 5-5420-226-10

PRELIMINARY PROCEDURES: Remove three battery ground straps (page 10-268)  
Remove commander's compartment floor access plate  
(page 17-9)

REMOVAL:

1. Using spanner wrench, remove two electrical connectors (A) from master relay (B).

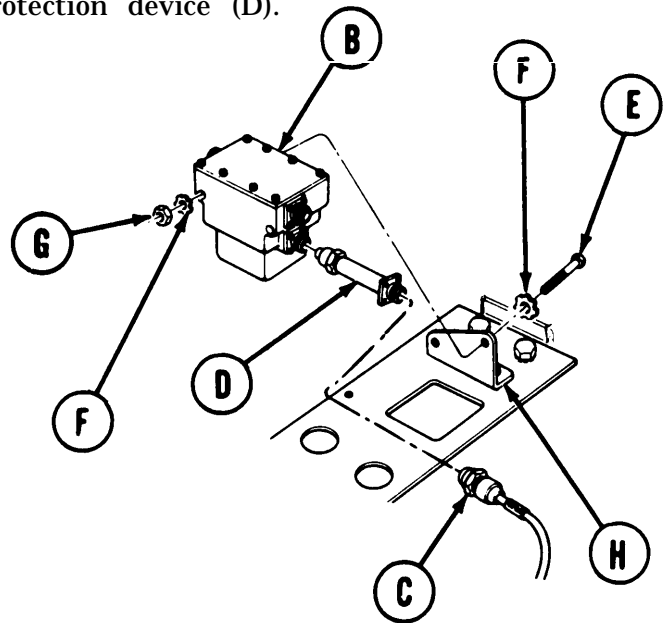


Go on to Sheet 2

TA168978

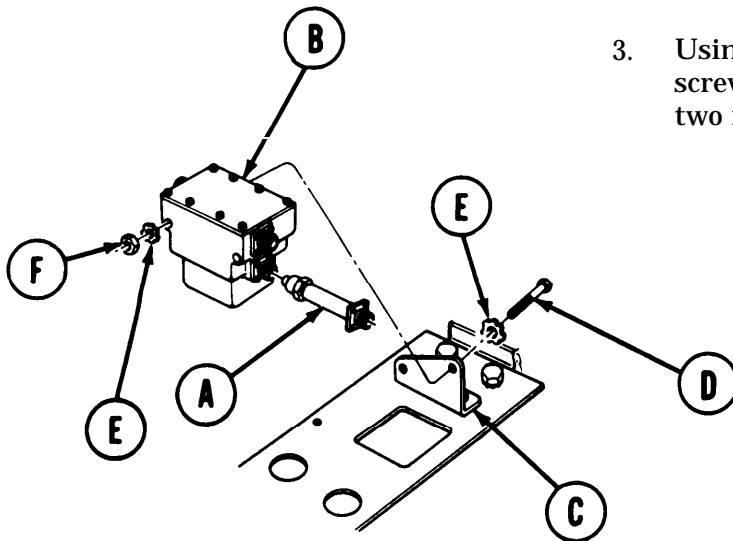
**MASTER RELAY ASSEMBLY REPLACEMENT (Sheet 2 of 3)**

2. Using 7/8 inch wrench on electrical connector (C) and adjustable wrench on protection device (D), remove electrical connector (C) from protection device (D).
3. Using two 1/2 inch wrenches, remove two screws (E), four lockwashers (F), and two nuts (G) securing master relay (B) to mounting bracket (H).
4. Remove master relay (B) from mounting bracket (H).
5. Using 7/8 inch wrench, remove protection device (D) from master relay (B).

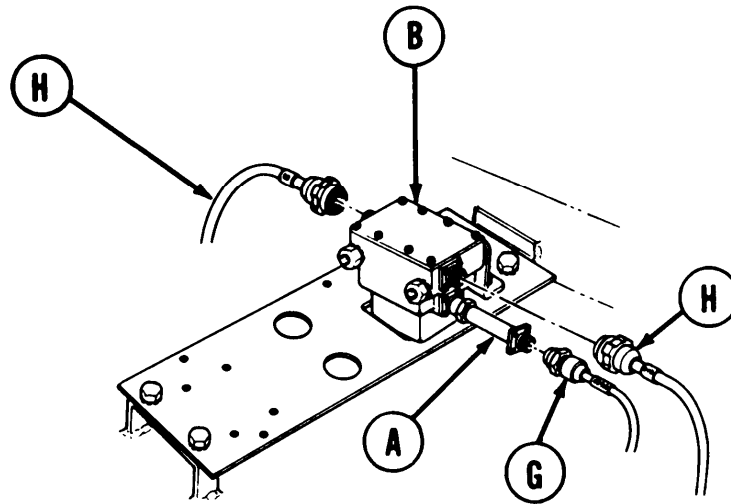


**INSTALLATION:**

1. Using 7/8 inch wrench, install protection device (A) to master relay (B).
2. Position master relay (B) on mounting bracket (C).
3. Using two 1/2 inch wrenches, install two screws (D), four lockwashers (E), and two nuts (F).



MASTER RELAY ASSEMBLY REPLACEMENT (Sheet 3 of 3)



4. Using 7/8 inch open end wrench, install electrical connector (G) to protection device (A).
5. Using spanner wrench, install two electrical connectors (H) to master relay (B).
6. Install commander's seat floor access plate (page 17-9).
7. Install three battery ground straps (page 10-268).

End of Task

TA168790

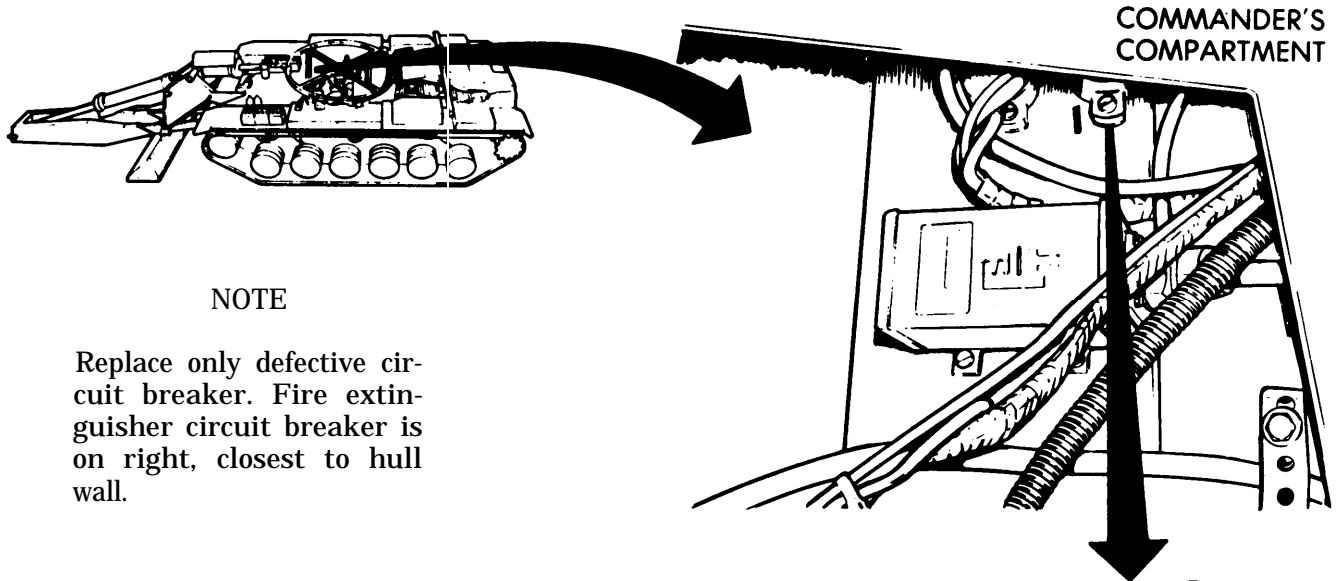


**FIRE EXTINGUISHER RELAY AND MASTER RELAY CIRCUIT BREAKER REPLACEMENT**  
 (Sheet 1 of 2)

TOOLS: 2 in. cross-tip screwdriver

SUPPLIES: Silicone compound (Item 32, Appendix D)

PRELIMINARY PROCEDURE Remove access plate on floor in commander's compartment (page 17-9)

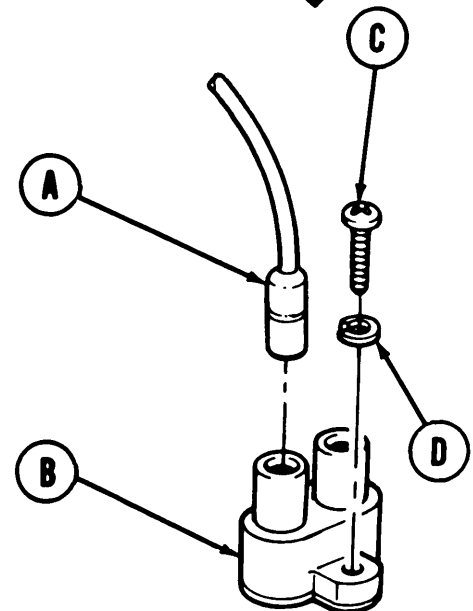


**NOTE**

Replace only defective circuit breaker. Fire extinguisher circuit breaker is on right, closest to hull wall.

**REMOVAL:**

1. Remove two electrical connectors (A) from circuit breaker (B) by pulling out.
2. Using screwdriver, remove two screws (C) and lockwashers (D) setting circuit breaker (B) to vehicle.



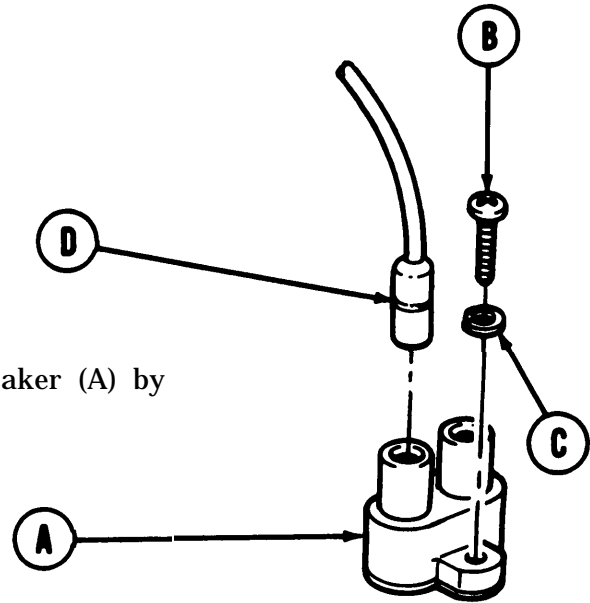
Go on to Sheet 2

TA168791

**FIRE EXTINGUISHER RELAY AND MASTER RELAY CIRCUIT BREAKER REPLACEMENT**  
(Sheet 2 of 2)

INSTALLATION

1. Place circuit breaker (A) in position in launcher.
2. Using screwdriver, install two screws (B) and lockwashers (C) securing circuit breaker (A) to vehicle.
3. Apply silicone compound to two electrical connectors (D).
4. Insert two electrical connectors (D) in circuit breaker (A) by pushing in.
5. Install access plate (page 17-9).



End of Task

TA168792

**INTERCONNECTING BOX ASSEMBLY REPLACEMENT (Sheet 1 of 1)**

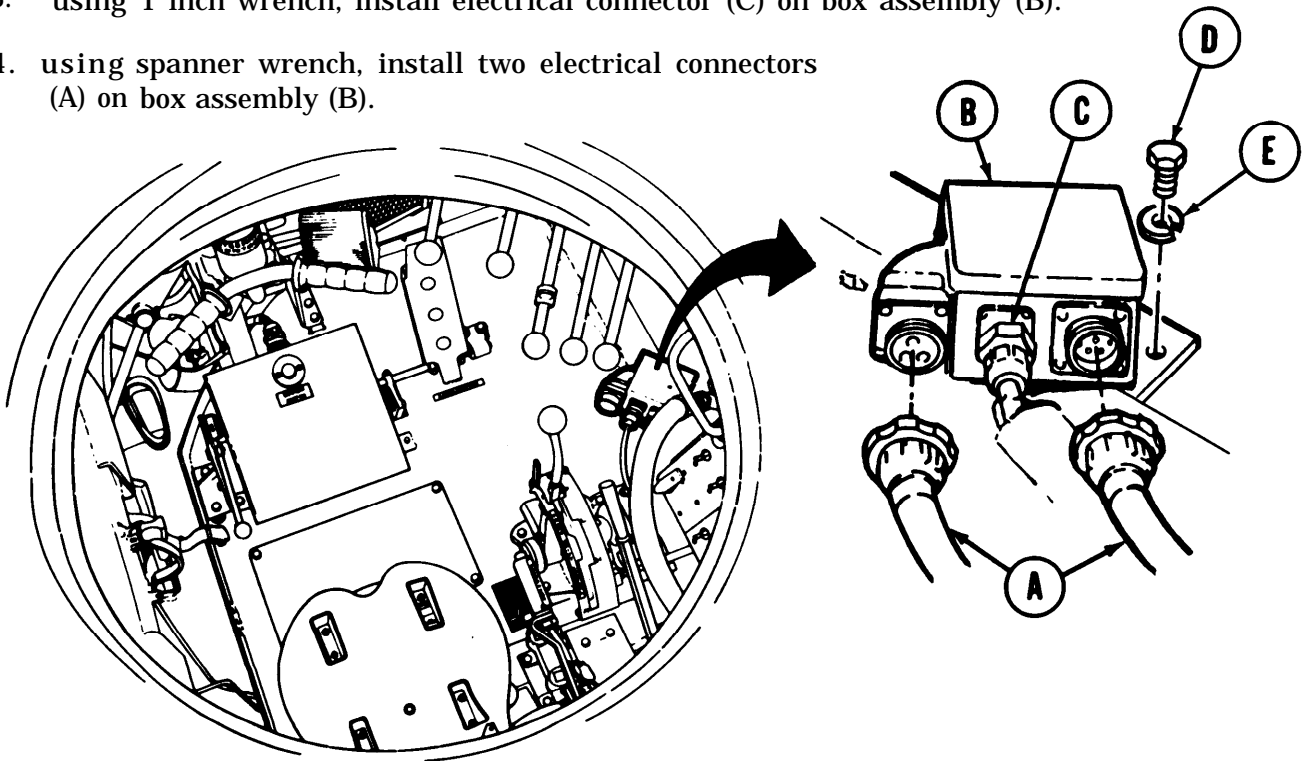
**TOOLS:** 1 in. combination box and open end wrench  
 7/16 in. socket with 1/2 in. drive  
 Ratchet with 1/2 in. drive  
 Spanner wrench

**REMOVAL:**

1. Using spanner wrench remove two electrical connectors (A) from box assembly (B).
2. Using 1 inch wrench, remove electrical connector (C) from box assembly (B).
3. Using socket, remove two screws (D) and lockwashers (E), securing box assembly (B) to floor.
4. Remove box assembly (B).

**INSTALLATION:**

1. Place box assembly (B) in position on floor.
2. using socket, install two screws (D) and lockwashers (E) securing box assembly (B) to floor.
3. using 1 inch wrench, install electrical connector (C) on box assembly (B).
4. using spanner wrench, install two electrical connectors (A) on box assembly (B).



End of Task

TA168793

INTERCONNECTING BOX ASSEMBLY REPAIR (Sheet 1 of 8)

PROCEDURE INDEX

PROCEDURE	PAGE
Disassembly	10-144
Assembly	10-147

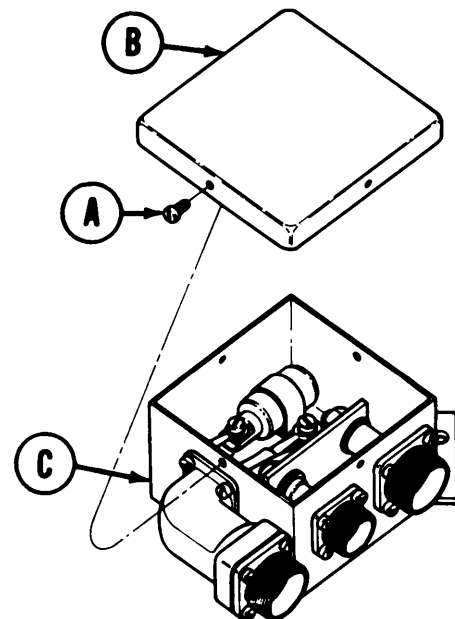
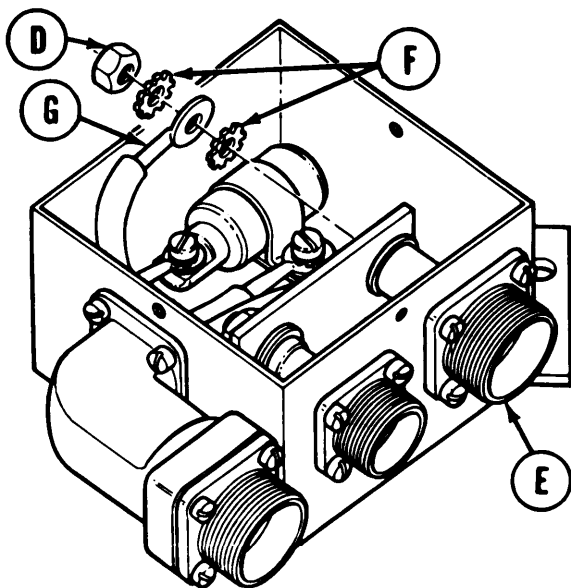
TOOLS: Flat-tip screwdriver  
 5/16 in. open end wrench  
 11/32 in. open end wrench  
 7/16 in. open end wrench  
 5/8 in. open end wrench

SUPPLIES: Glyptol sealer (Item 39, Appendix D)

PRELIMINARY PROCEDURE: Remove interconnecting box assembly (page 10-143)

DISASSEMBLY:

- Using screwdriver, remove four tapping-thread screws (A) securing cover (B) to box assembly (C).
- Remove cover (B) from box assembly (C).



- Using 5/8 inch wrench, remove nut (D) from receptacle assembly (E).
- Remove two lockwashers (F) and electrical terminal (G) from receptacle assembly (E).

Go on to Sheet 2

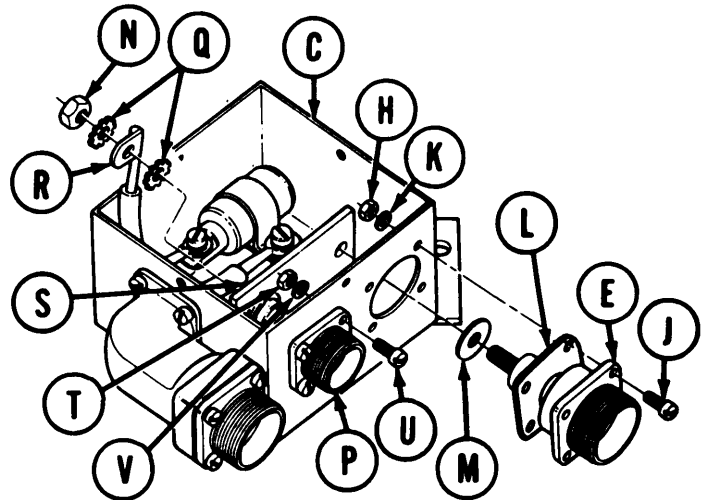
TA168794

**INTERCONNECTING BOX ASSEMBLY REPAIR (Sheet 2 of 8)**

5. Holding nuts (H) with 11/32 inch wrench, use screwdriver to remove four screws (J), lockwashers (K), and nuts (H).

6. Remove receptacle assembly (E) and gasket (L) from box assembly (c).

7. Remove flat washer (M) from receptacle assembly (E).



8. Using 7/16 inch wrench, remove nut (N) from receptacle assembly (p).

9. Remove two lockwashers (Q), electrical terminal (R), and bus bar (S) from receptacle assembly (P).

10. Holding nuts (T) with 5/16 inch wrench, use screwdriver to remove four screws (U), lockwashers (V), and nuts (T).

11. Remove receptacle assembly (P) from box assembly (C).

Go on to Sheet 3

TA168795

INTERCONNECTING BOX ASSEMBLY REPAIR (Sheet 3 of 8)

12. Remove flat washer (W) and gasket (X) from receptacle assembly (P).

13. Using screwdriver, remove two screws (Y) and lockwashers (Z) securing two electrical terminals (AA) to capacitor (AB).

14. Remove two electrical terminals (AA) from capacitor (AB).

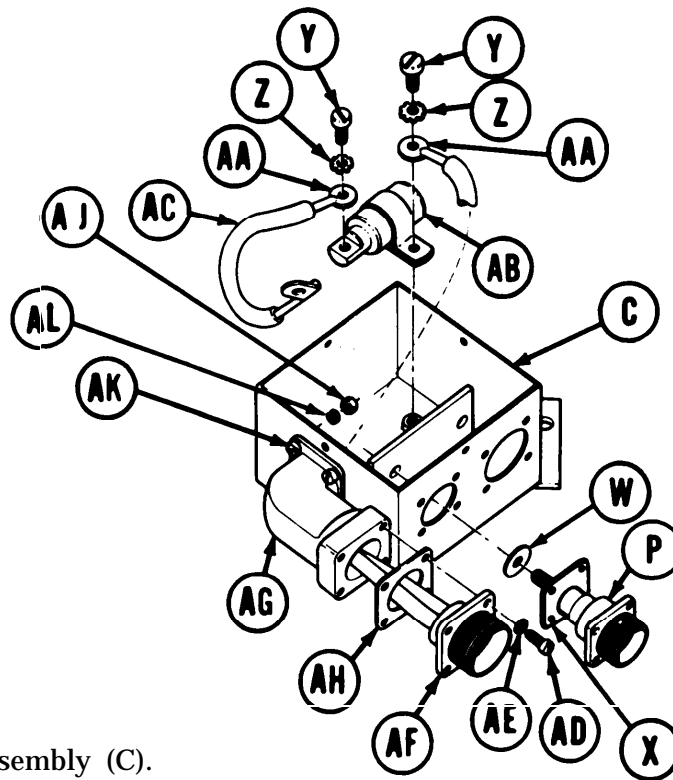
15. Remove capacitor (AB) from box assembly (C).

16. Remove lead assembly (AC) from box assembly (C).

17. Using screwdriver, remove four screws (AD) and lockwashers (AE) securing lead assembly (AF) to elbow (AG).

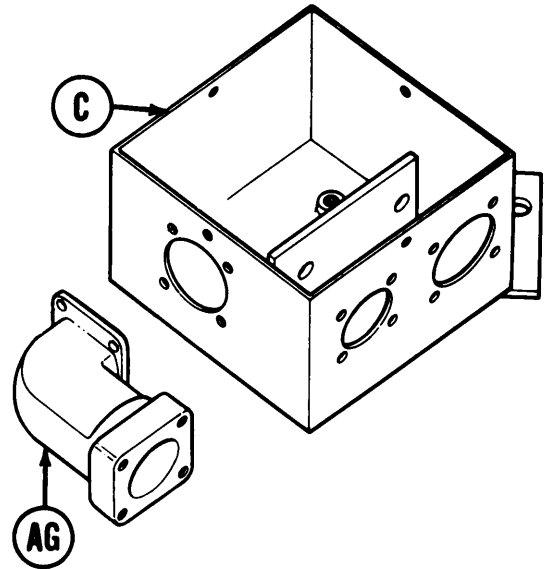
18. Remove lead assembly (AF) and gasket (AH) from elbow (AG).

19. Holding nuts (AJ) with 11/32 inch wrench use screwdriver to remove four screws (AK), lockwashers (AL), and nuts (AJ).



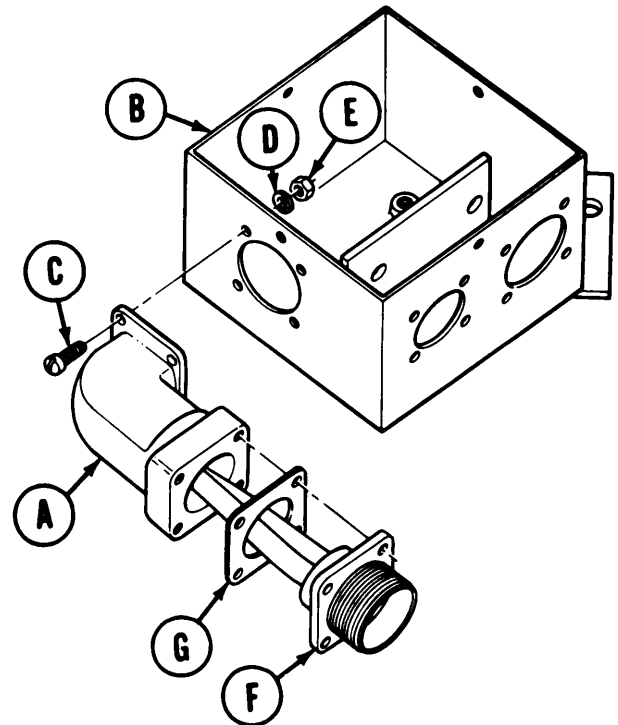
INTERCONNECTING BOX ASSEMBLY REPAIR (Sheet 4 of 8)

20. Remove elbow (AG) from box assembly (C).



ASSEMBLY:

1. Place elbow (A) in position on box assembly (B).
2. Using fingers, install four screws (C), lockwashers (D), and nuts (E) securing elbow (A) to box assembly (B).
3. Holding nuts (E) with 11/32 inch wrench, use screwdriver to tighten four screws (C).
4. Place lead assembly (F) and gasket (G) in position on elbow (A).



Go on to Sheet 5

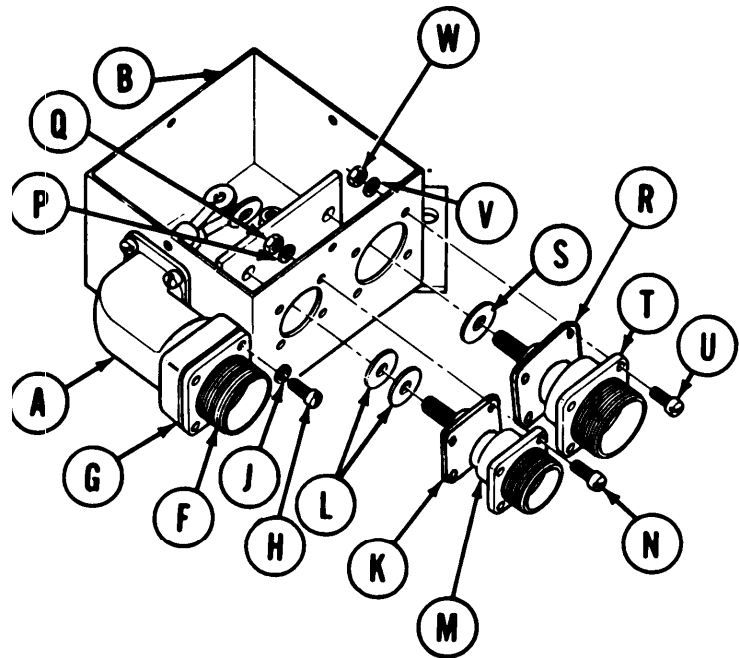
TA168797

INTERCONNECTING BOX ASSEMBLY REPAIR (Sheet 5 of 8)

5. Using screwdriver, install four screws (H) and lockwashers (J) securing lead assembly (F) and gasket (G) to elbow (A).

6. Place gasket (K) and flat washer (L) on receptacle assembly (M).

Place receptacle assembly (M) in position on box assembly (B).



8. Using fingers, install four screws (N), lockwashers (P), and nuts (Q) securing receptacle assembly (M) to box assembly (B).

9. Holding nuts (Q) with 5/16 inch wrench use screwdriver to tighten four screws (N).

10. Place gasket (R) and flat washer (S) on receptacle assembly (T).

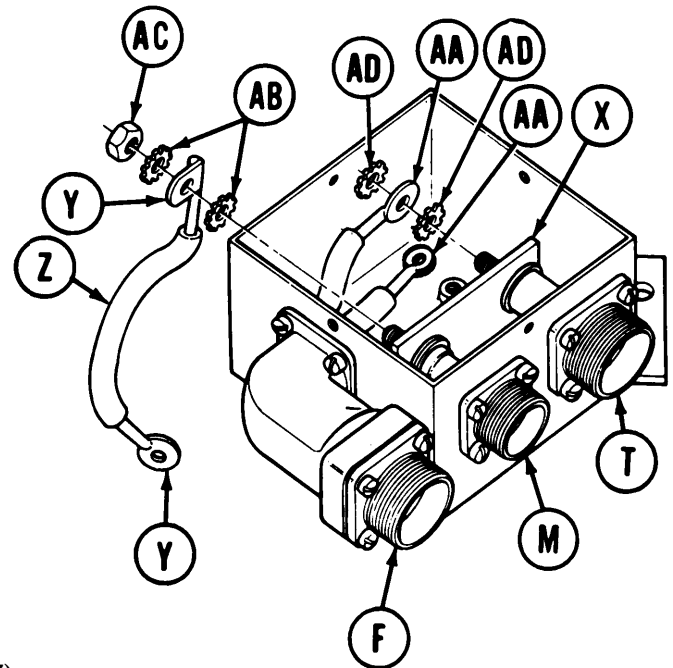
11. Place receptacle assembly (T) in position on box assembly (B).

12. Using fingers, install four screws (U), lockwashers (V), and nuts (W) securing receptacle assembly (T) to box assembly (B).

13. Holding nuts (W) with 11/32 inch wrench, use screwdriver to tighten four screws (U).



**INTERCONNECTING BOX ASSEMBLY REPAIR (Sheet 6 of 8)**



14. Coat bus bar (X) with Glyptol sealer.

15. Place bus bar (X) in position on two receptacle assemblies (M) and (T).

16. Coat two terminals (Y) of lead assembly (Z) and two terminals (AA) of lead assembly (F) with Glyptol sealer.

17. Place two lockwashers (AB) and curved terminal (Y) of lead assembly (Z) in position on receptacle assembly (M).

18. Using 7/16 inch wrench, install nut (AC) securing lead assembly (Z) to receptacle assembly (M).

19. Place two lockwashers (AD) and terminal (AA) of lead assembly (F) in position on receptacle assembly (T).

INTERCONNECTING BOX ASSEMBLY REPAIR (Sheet 7 of 8)

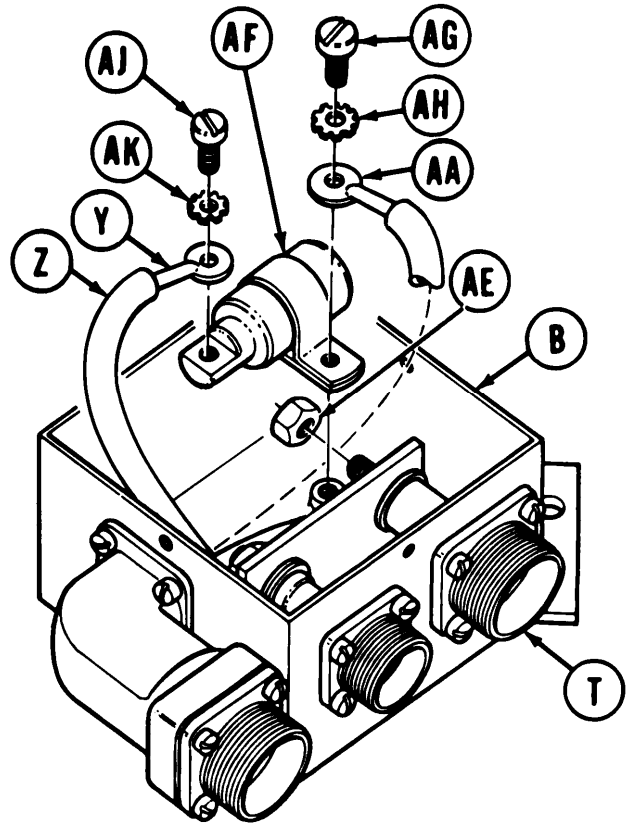
20. Using 5/8 inch wrench, install nut (AE) on receptacle assembly (T).

22. Place terminal (AA) in position on capacitor (AF).

23. Using screwdriver, install screw (AG) and lockwasher (AH) securing terminal (AA) to capacitor (AF).

24. Place terminal (Y) of lead assembly (Z) in position on capacitor (AF).

25. Using screwdriver, install screw (AJ) and lockwasher (AK) securing terminal (Y) to capacitor (AF).

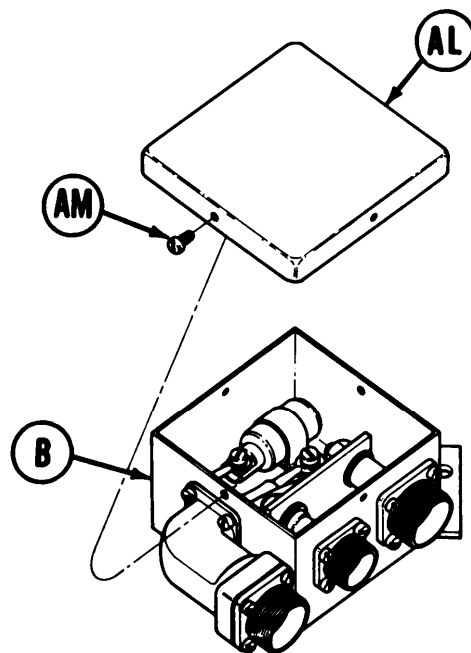


**INTERCONNECTING BOX ASSEMBLY REPAIR (Sheet 8 of 8)**

26. Place cover (AL) in position on box assembly (B).

27. Using screwdriver, install four tapping-thread screws (AM) securing cover (AL) to box assembly (B).

28. Install box assembly in vehicle (page 10-143).



End of Task

TA168802

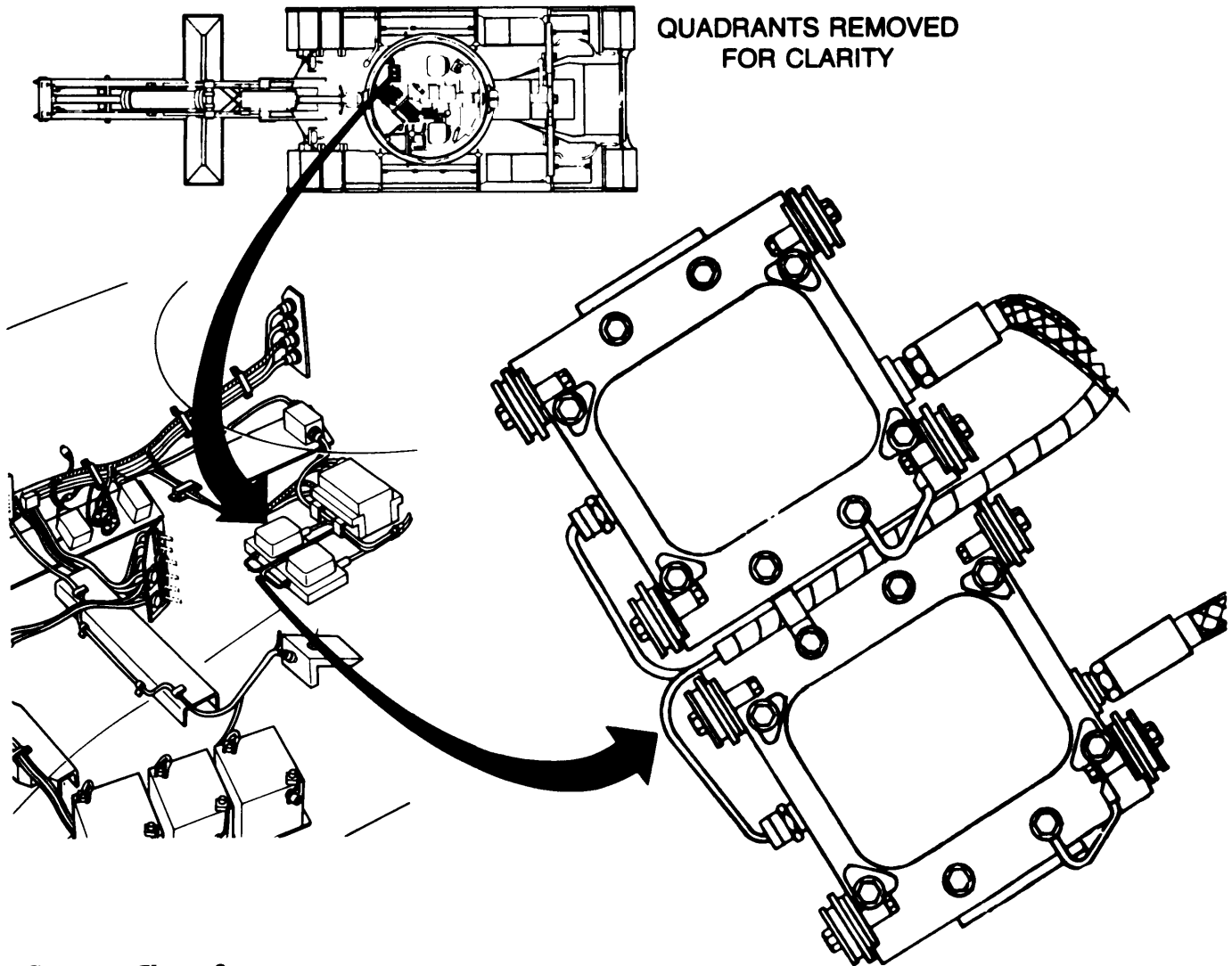
**HIGH VOLTAGE IR POWER SUPPLY AND SHOCK MOUNT ASSEMBLY REPLACEMENT**  
(Sheet 1 of 6)

PROCEDURE INDEX

PROCEDURE	PAGE
Removal	10-152
Installation	10-155

- TOOLS:
- |                                    |                          |
|------------------------------------|--------------------------|
| 1/4 in. open end wrench            | 7/16 in. open end wrench |
| 7/16 in. socket with 12/2in. drive | 7/8in. open end wrench   |
| 1/2 in. socket with 1/2 in. drive  | 1 in. open end wrench    |
| 5in. extension with 1/2 in. drive  | Flat-tip screwdriver     |
| Ratchet with 1/2 in. drive         |                          |

PRELIMINARY PROCEDURE: Set MASTER BATTERY switch to OFF.  
Remove commander's access plate (page 17-9)



Go on to Sheet 2

TA168803

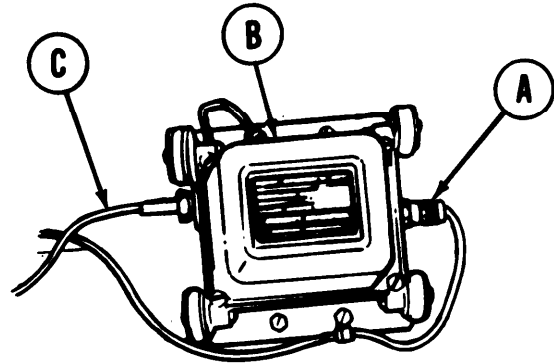
**HIGH VOLTAGE IR POWER SUPPLY AND SHOCK MOUNT ASSEMBLY REPLACEMENT**

(Sheet 2 of 6)

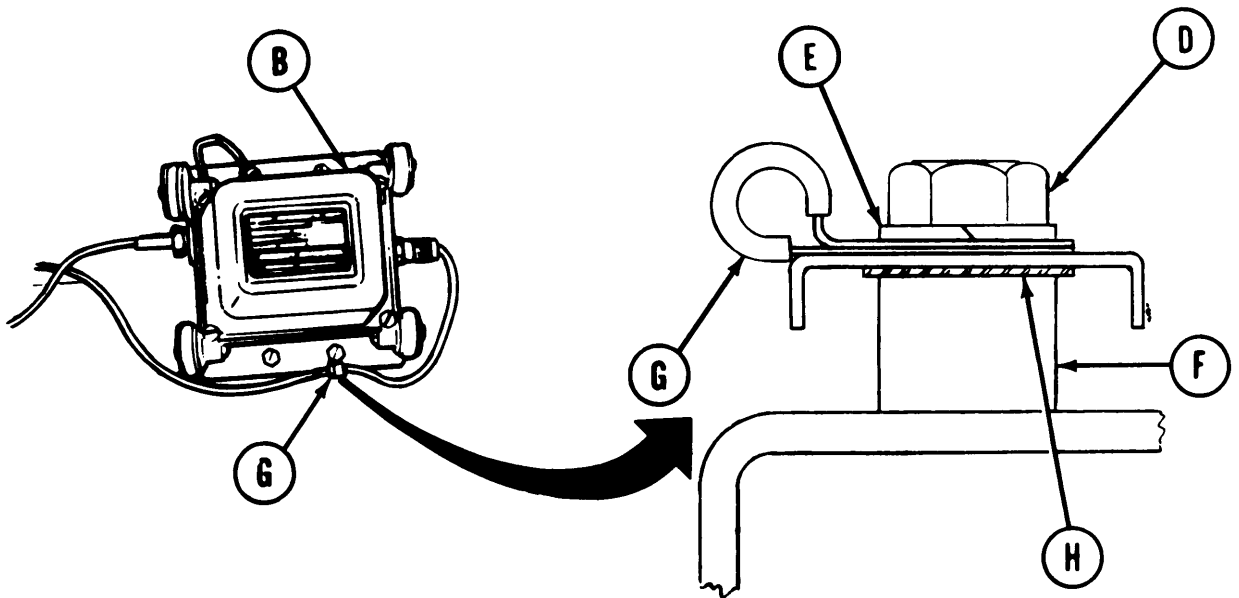
REMOVAL:

1. Using 7/8 inch wrench, disconnect cable (A) from power supply (B).

2. Using 1 inch wrench, disconnect cable (C) from power supply (B).



3. Using 1/2 inch socket and extension remove four screws (D) and washers (E) securing power supply (B) to mounting pad (F).



4. Remove clamps (G).

5. Remove power supply (B) from mounting pads (F).

6. Remove four lockwashers (H).

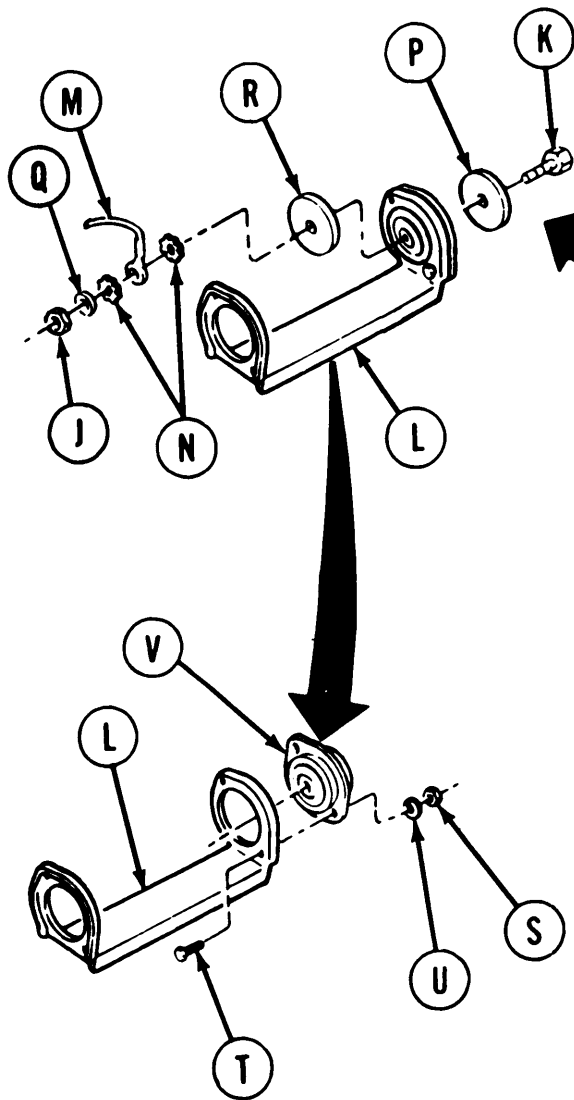
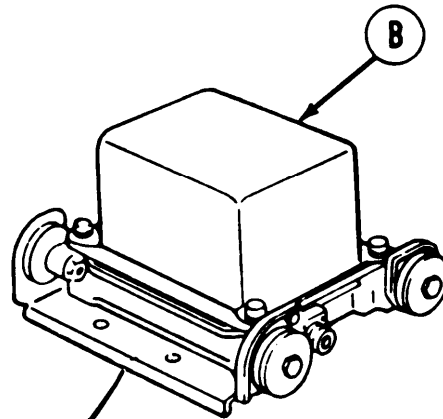
Go on to Sheet 3

TA168804

**HIGH VOLTAGE IR POWER SUPPLY AND SHOCK MOUNT ASSEMBLY REPLACEMENT**

(Sheet 3 of 6)

7. Remove power supply (B) from vehicle to bench.
8. Using 7/16 inch wrench to hold nut (J), use 7/16 inch socket to remove four screws (K) and nuts (J) securing power supply (B) to bracket (L).



9. Remove ground strap (M), two lockwashers (N), washer (P), washers (Q), and washers (R) from bracket (L).
10. Remove power supply (B) from bracket (L).
11. Using 1/4 inch wrench to hold nut (S), use flat-tip screwdriver to remove two screws (T), lockwashers (U), and mount (V) from each end of both brackets (L).

Go on to Sheet 4

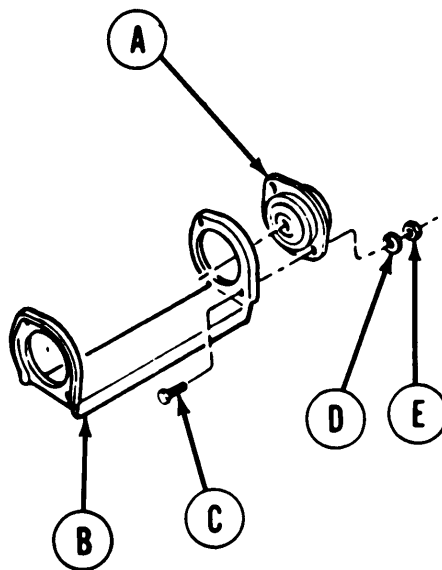
TA168805

**HIGH VOLTAGE IR POWER SUPPLY AND SHOCK MOUNT ASSEMBLY REPLACEMENT**  
**(Sheet 4 of 6)**

**NOTE**

**Mounting hardware used to mount power supply to brackets is the same for three ends of brackets shown. Mounting hardware for hidden bracket is described in step 4 below.**

**INSTALLATION:**



1. Position mount (A) on outside of bracket (B).
2. Insert two screws (C) through inside of bracket (B) and mount (A).
3. Install lockwashers (D), and nuts (E) onto screws (C).

4. Using 1/4 inch wrench to hold nut (E), use flat-tip screwdriver to tighten screw (C).
5. Using steps 1 through 4, install mounts (A) into each end of both brackets (B).

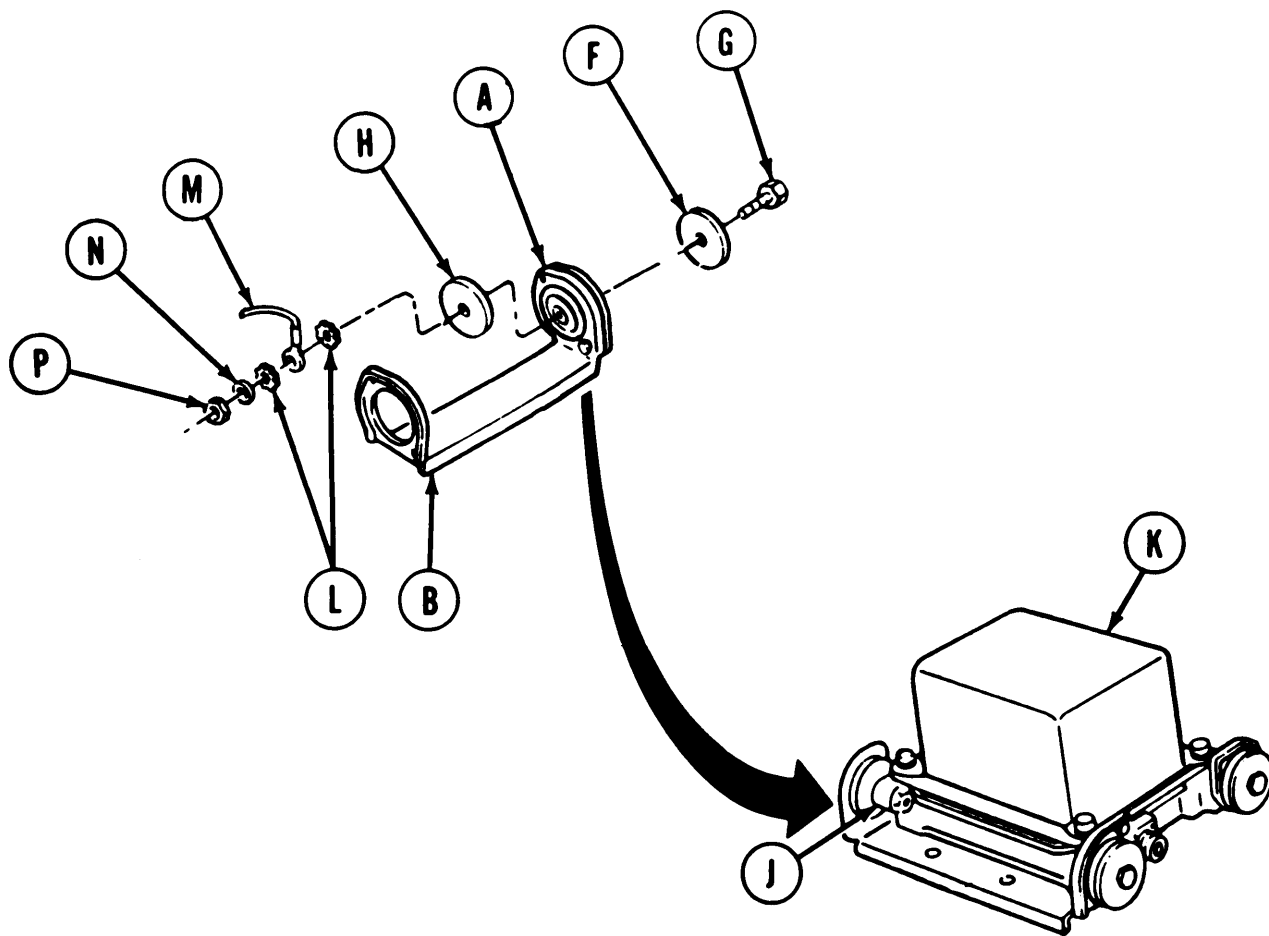
Go on to Sheet 5

TA168806

**HIGH VOLTAGE IR POWER SUPPLY AND SHOCK MOUNT ASSEMBLY REPLACEMENT**

(Sheet 5 of 6)

6. Position washer (F) on screw (G).
7. Install screw (G) through mount (A), washer (H), hole (J) in power supply (K), washer (L), ground strap (M), lockwasher (N), and washer (P).
8. Using 7/16 inch socket, tighten screw (G).
9. Using 7/16 inch socket to hold screw (G), use 7/16 inch wrench to tighten nut (P).



10. Using steps 6 through 9, except omitting lockwasher (L) and ground strap (M), install power supply (K) onto two brackets (B).

Go on to Sheet 6

TA168807

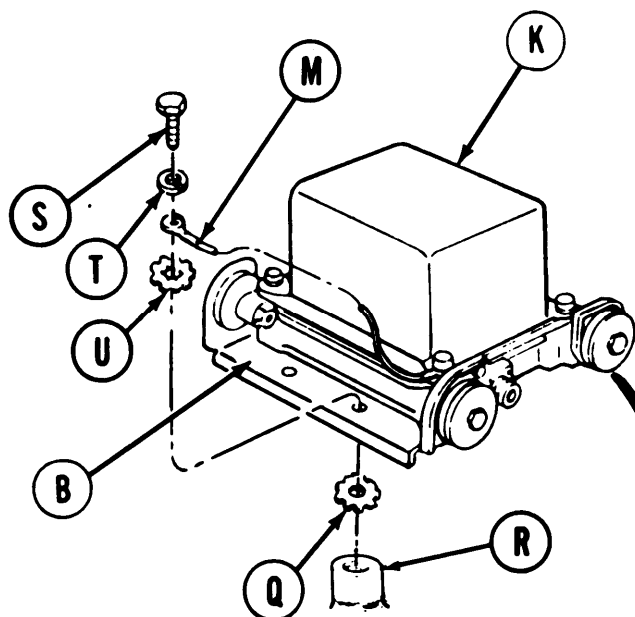


**HIGH VOLTAGE IR POWER SUPPLY AND SHOCK MOUNT ASSEMBLY REPLACEMENT**

(Sheet 6 of 6)

11. Position four lockwashers (Q) onto mounting pads (R).

12. Position assembled power supply (K) onto mounting pad (R) inside vehicle.

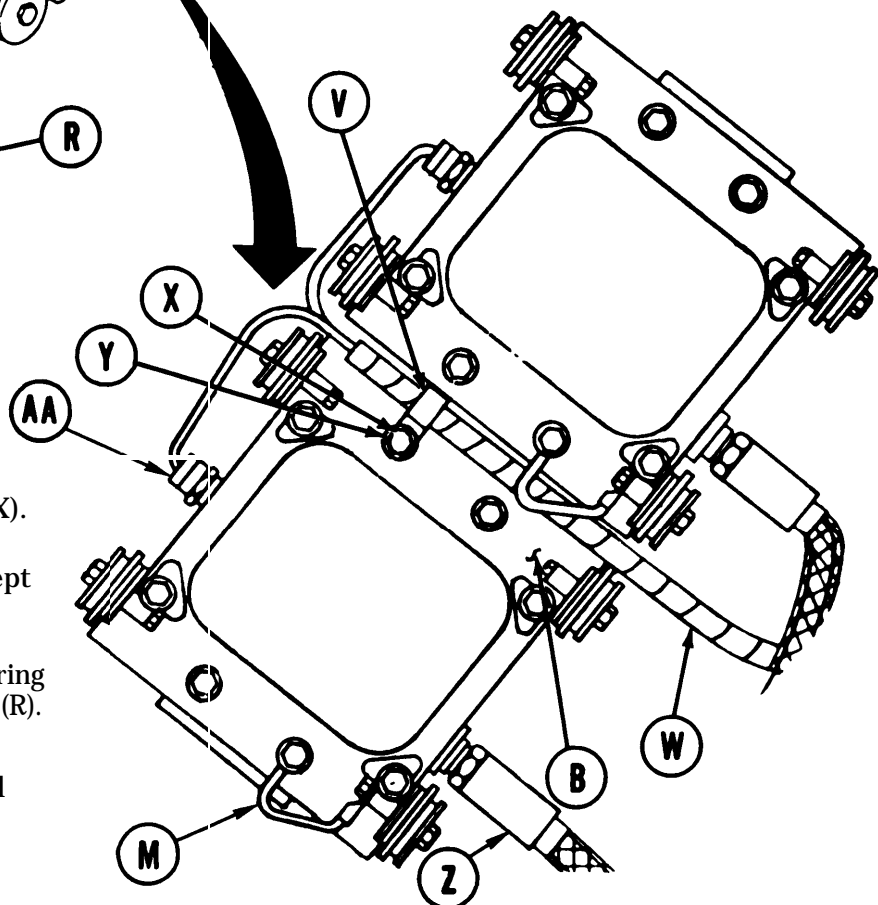


13. Install screw (S) through lockwasher (T), ground strap (M), lockwasher (U), and bracket (B).

14. Using 1/2 inch socket and an 5 inch extension, tighten screw (S) into mounting pad (R).

15. Position clamp (V) on cable (W).

16. Install screw (X) through lockwasher (Y), clamp (V), and bracket (B).



17. Using 1/2 inch socket and extension, tighten screw (X).

18. Using steps 16 and 17, except omitting clamp (V), install remaining two screws (X) and new lockwashers (Y) securing bracket (B) and mounting pads (R).

19. Using 1 inch wrench, install connector on cable (Z) to power supply (K).

20. Using 7/8 inch wrench, install connector on cable (AA) to power supply (K).

21. Install access plate (page 17-9).

End of Task

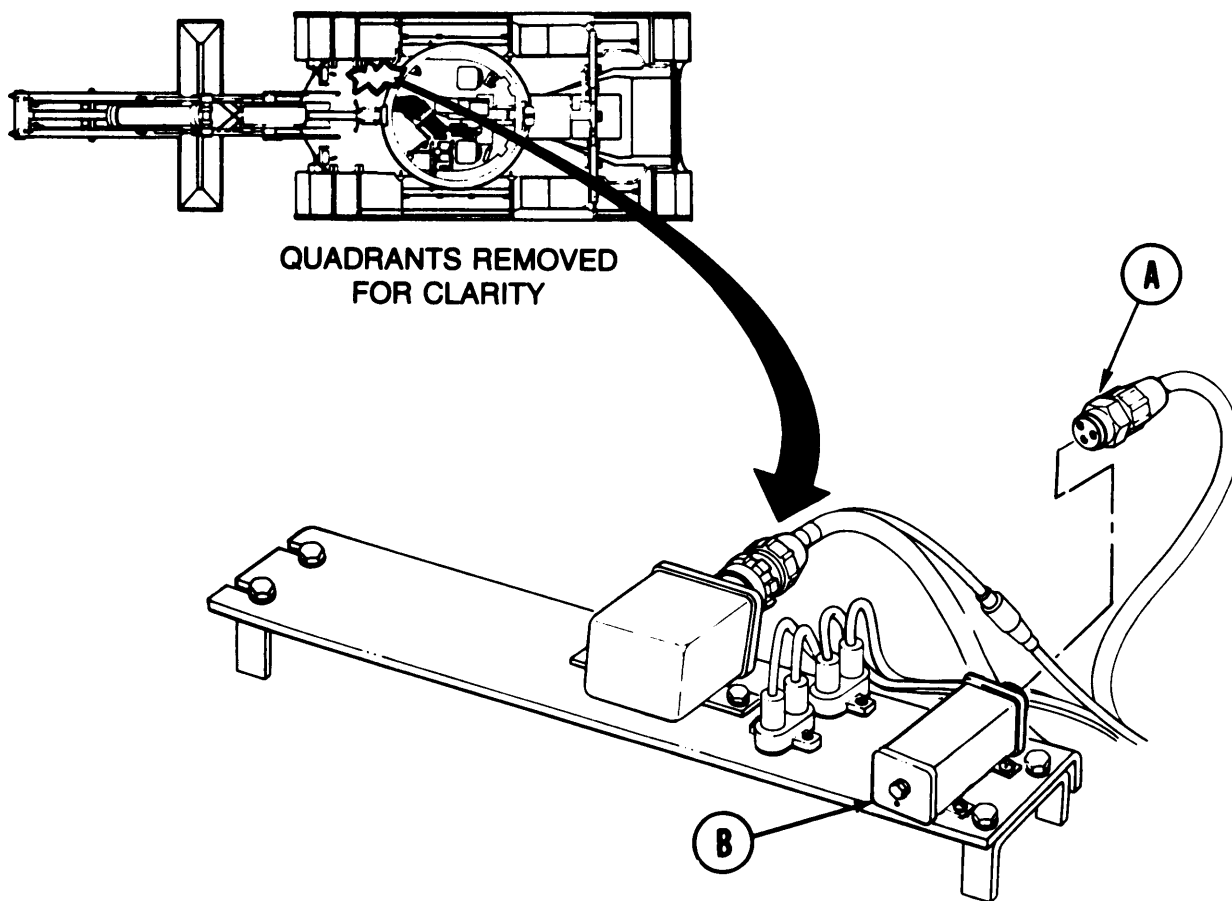
TA168808

**FIRE EXTINGUISHER SOLENOID RELAY REPLACEMENT (Sheet 1 of 2)**

TOOLS: 10 in. adjustable wrench  
Cross-tip screwdriver

REFERENCE: TM 5-5420-266-10

PRELIMINARY PROCEDURE: Remove access plate from floor at commander's station  
(page 17-9)



**REMOVAL:**

1. Using wrench, disconnect electrical connector (A) from fire extinguisher solenoid relay (B).

Go on to Sheet 2

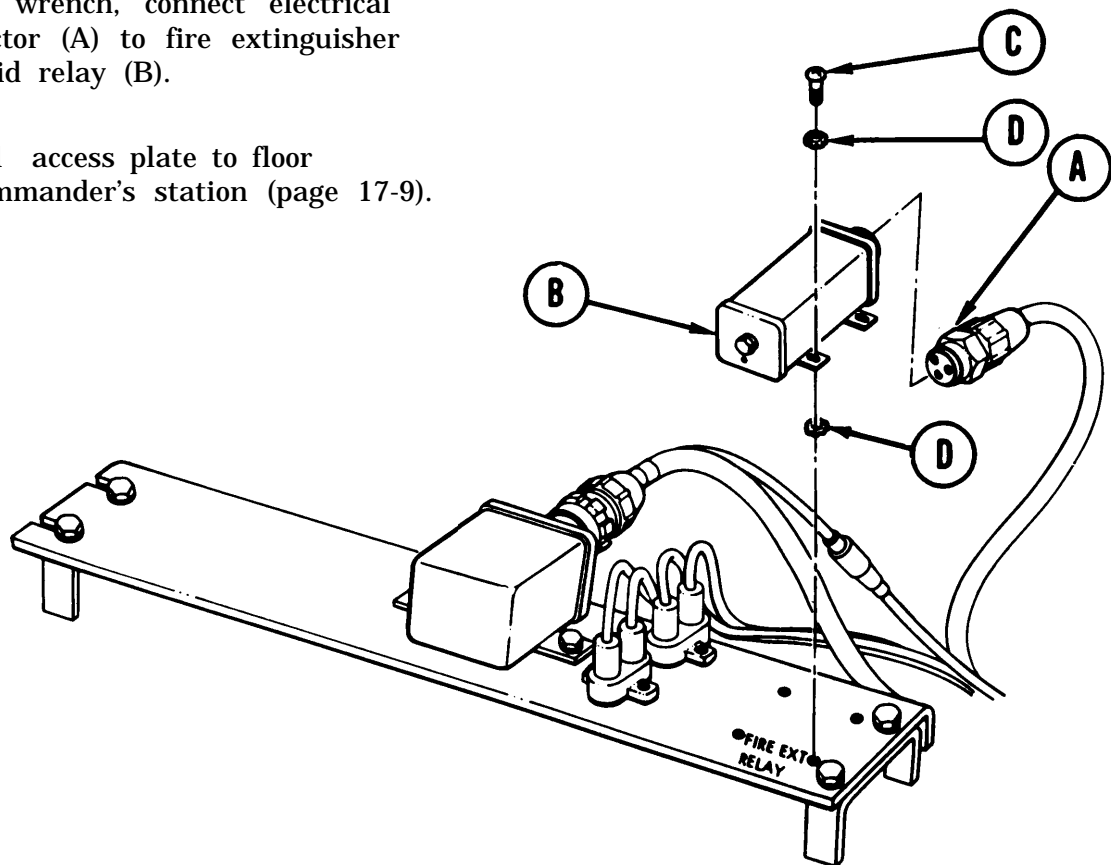
TA168809

**FIRE EXTINGUISHER SOLENOID RELAY REPLACEMENT (Sheet 2 of 2)**

2. Using screwdriver, remove four screws (C) and eight lockwashers (D) securing fire extinguisher solenoid relay (B) to mounting plate.
3. Remove fire extinguisher solenoid relay (B) from vehicle.

**INSTALLATION:**

1. Position fire extinguisher solenoid relay (B) on mounting plate
2. Using screwdriver, install four screws (C) and eight lockwashers (D) securing fire extinguisher solenoid relay (B) to mounting plate.
3. Using wrench, connect electrical connector (A) to fire extinguisher solenoid relay (B).
4. Install access plate to floor at commander's station (page 17-9).



5. Check operation of fire extinguisher solenoid (TM 5-5420-226-10).

End of Task

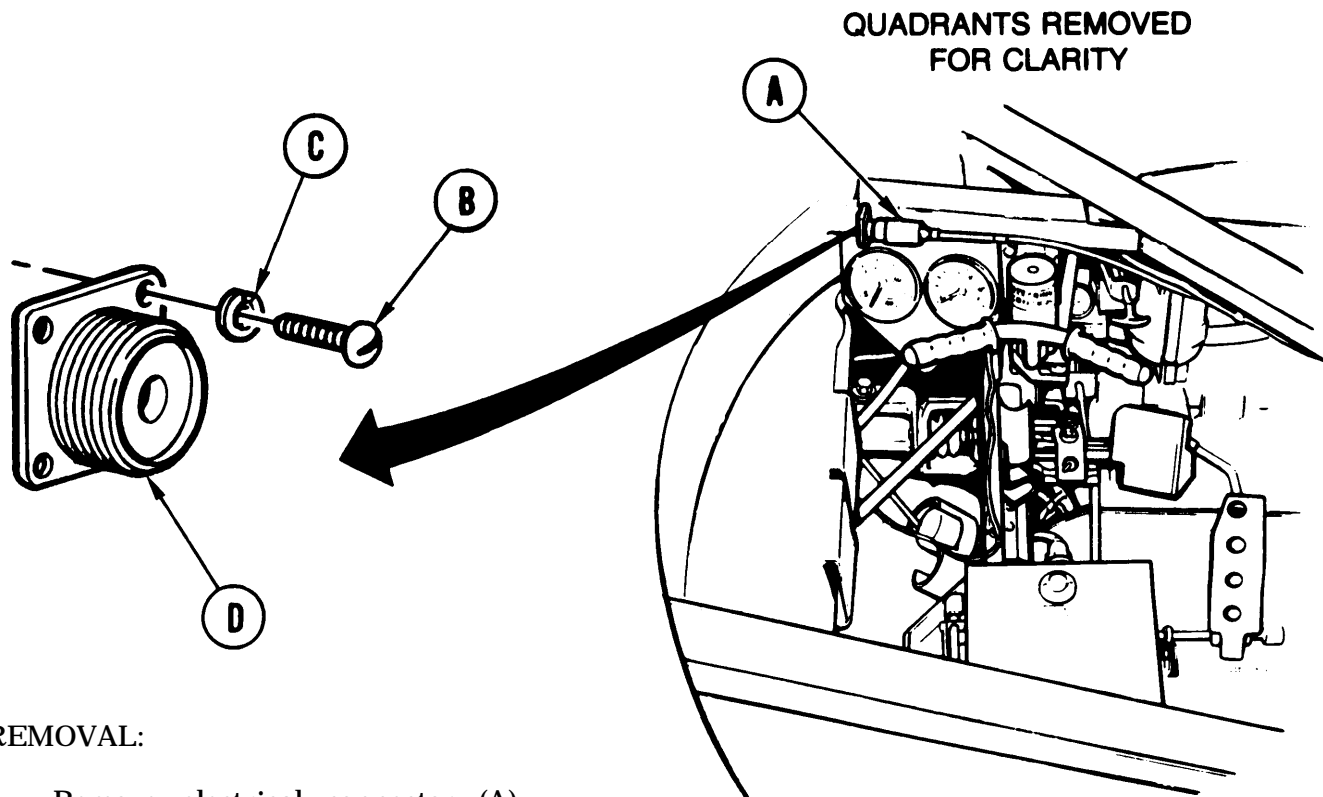
TA168810

**INFRARED OR NIGHT VIEWER STOWAGE RECEPTACLE ASSEMBLY REPLACEMENT**  
(Sheet 1 of 1)

**TOOLS:** Flat-tip screwdriver

**SUPPLIES:** Lockwashers (4 required)

**PRELIMINARY PROCEDURE:** Turn MASTER BATTERY switch to OFF.



**REMOVAL:**

1. Remove electrical connector (A) by turning left.
2. Using screwdriver, remove four screws (B) and lockwashers (C).
3. Remove stowage receptacle assembly (D).

**INSTALLATION:**

1. Place stowage assembly (D) in position in vehicle.
2. Using screwdriver, install four screws (B) and lockwashers (C).
3. Install electrical connector (A) by turning right.

End of Task

**MASTER RELAY MOUNTING PLATE AND BRACKET REPLACEMENT (Sheet 1 of 2)**

**TOOLS:** 9/16 in. socket with 1/2 in. drive  
 1/2 in. socket with 1/2in.drive  
 Ratchet with 1/2 in. drive

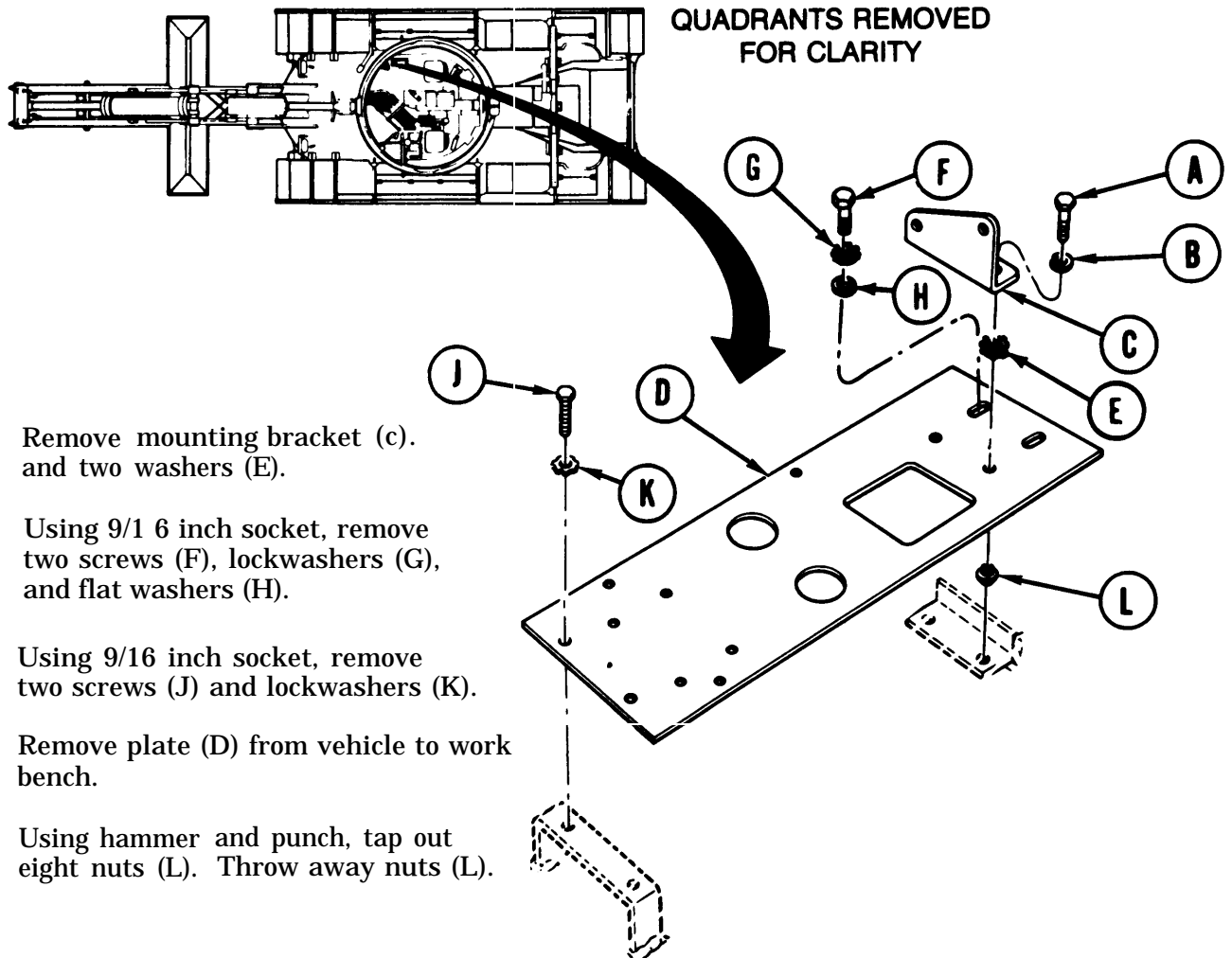
1/4 in. drive punch  
 Hammer

**SUPPLIES:** Nut (592567) (8 required)

**PRELIMINARY PROCEDURE:** Remove master relay assembly (page 10-138)

**REMOVAL:**

1. Using 1/2 inch socket, remove two screws (A), and lockwashers (B) securing bracket (C) to plate (D).



2. Remove mounting bracket (c). and two washers (E).
3. Using 9/16 inch socket, remove two screws (F), lockwashers (G), and flat washers (H).
4. Using 9/16 inch socket, remove two screws (J) and lockwashers (K).
5. Remove plate (D) from vehicle to work bench.
6. Using hammer and punch, tap out eight nuts (L). Throw away nuts (L).

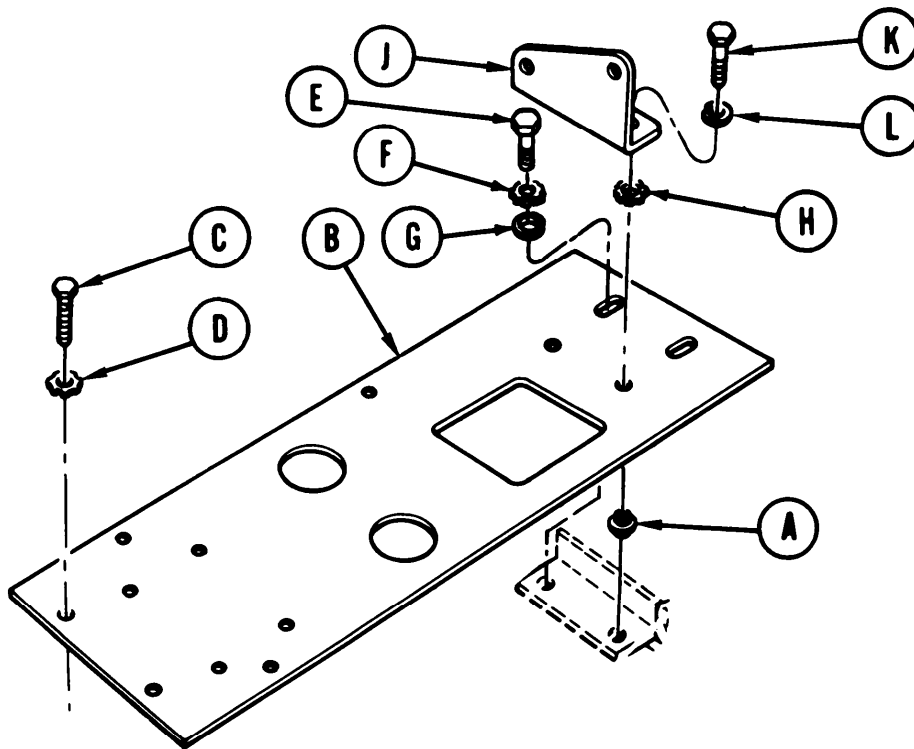
Go on to Sheet 2

TA168813

MASTER RELAY MOUNTING PLATE AND BRACKET REPLACEMENT (Sheet 2 of 2)

INSTALLATION:

1. Using hammer, tap eight new nuts (A) into plate (B).
2. Place plate (B) in position on hull floor.
3. Using 9/16 inch socket, install two screws (C) and lockwashers (D) securing plate (B) to hull floor.
4. Using 9/16 inch socket, install two screws (E), lockwashers (F), and flat washers (G) securing plate (B) to hull floor.
5. Place two washers (H) in position on plate (B).
6. Place mounting bracket (J) in position on plate (B).
7. Using 1/2 inch socket, install two screws (K) and lockwashers (L) securing mounting bracket (J) to plate (B).



8. Install master relay assembly (page 10-139).

End of Task

TA168812

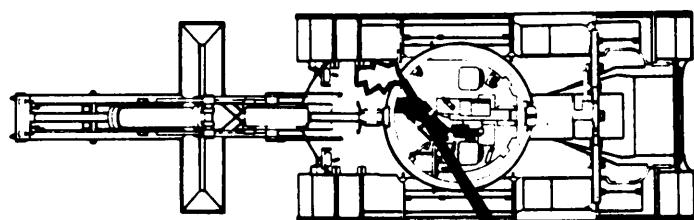
**AIR CLEANER MOTOR SOLENOID RELAY REPLACEMENT (Sheet 1 of 2)**

**TOOLS:** Spanner wrench  
 3/8 in. socket with 1/2 in. drive  
 Ratchet with 1/2 in. drive

**PRELIMINARY PROCEDURE:** Remove access plate from floor at commander's station.  
 (page 17-9)

**REMOVAL:**

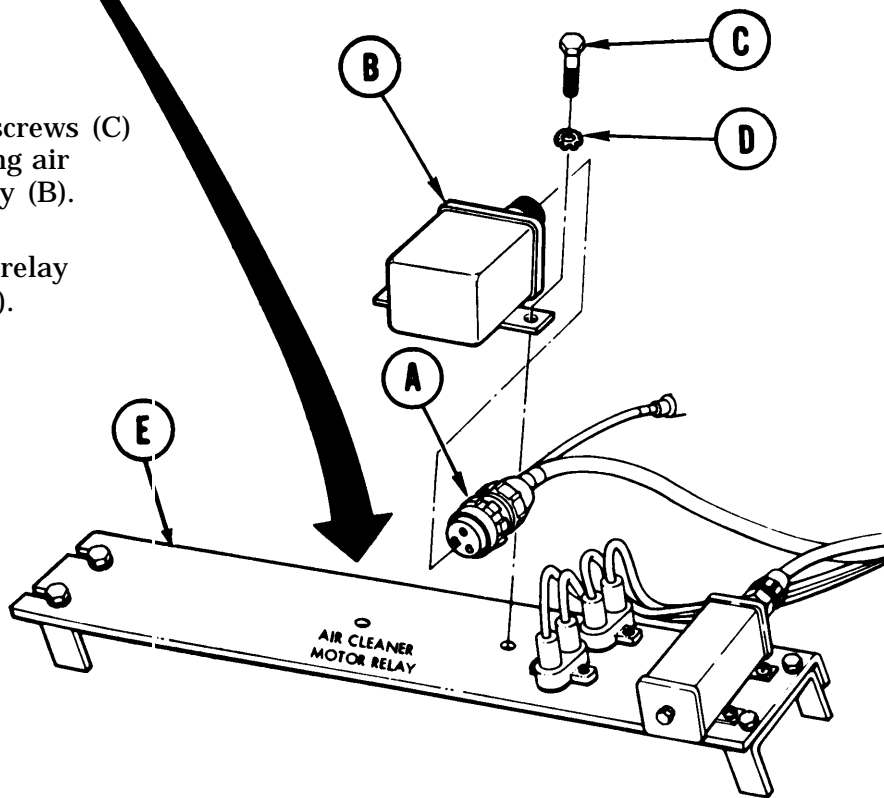
1. Using spanner wrench, remove electrical connector (A) from air cleaner motor solenoid relay (B).



QUADRANTS REMOVED FOR CLARITY

Using socket, remove two screws (C) and lockwashers (D) securing air cleaner motor solenoid relay (B).

Remove air cleaner motor relay (B) from mounting plate (E).



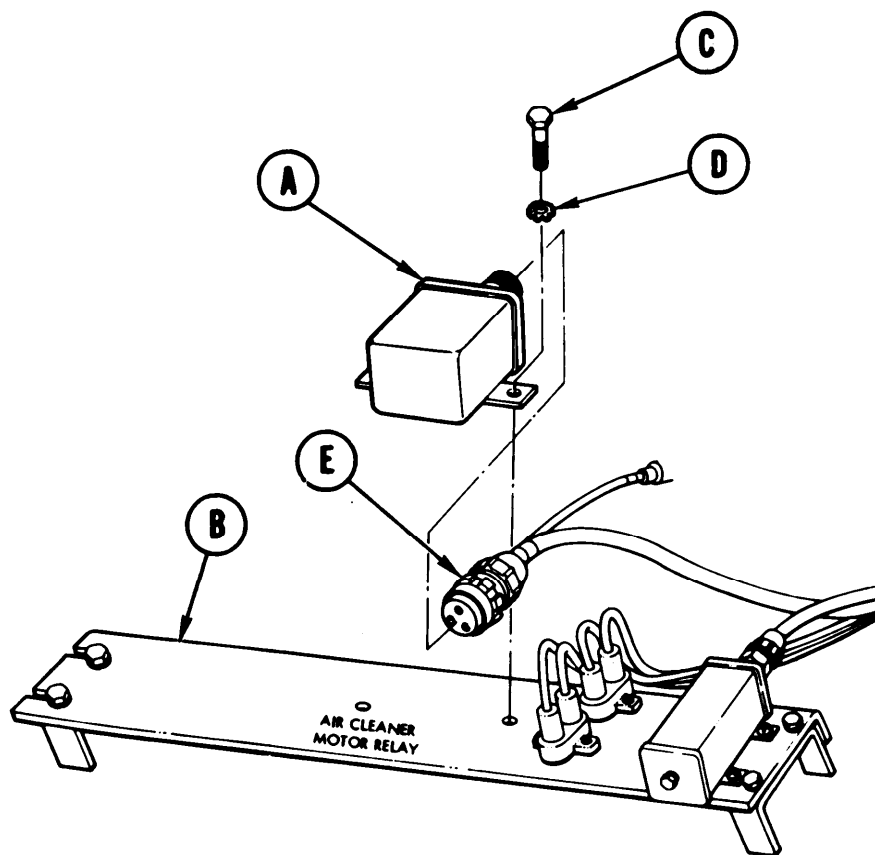
Go on to Sheet 2

TA168814

**AIR CLEANER MOTOR SOLENOID RELAY REPLACEMENT (Sheet 2 of 2)**

INSTALLATION:

1. Position air cleaner motor solenoid relay (A) on mounting plate (B).
2. Using socket, install two screws (C) and lockwashers (D) securing air cleaner motor solenoid relay (A) to mounting plate (B).
3. Using spanner wrench, install electrical connector (E) to air cleaner motor solenoid relay (A).
4. Install access plate at commander's station (page 17-9).



End of Task

TA168815



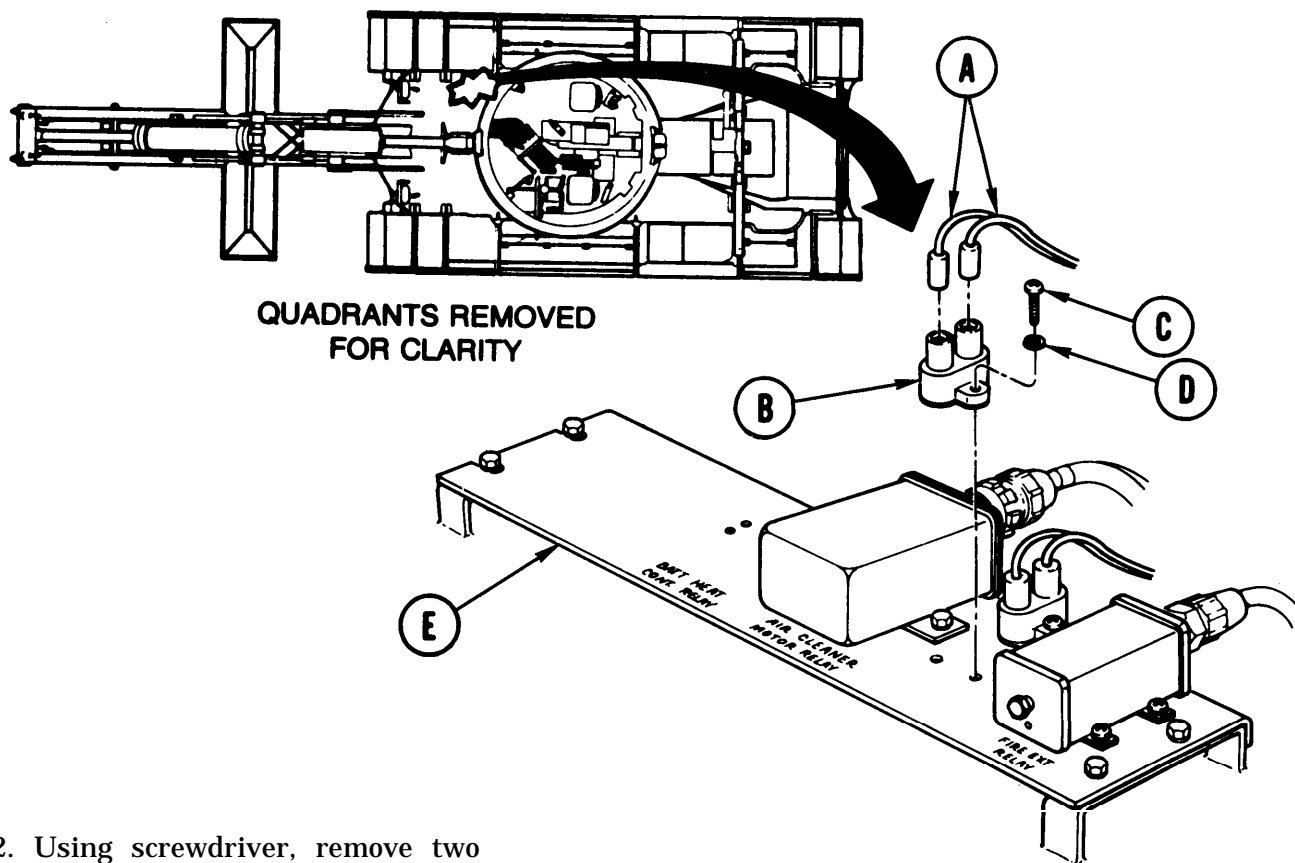
**FUEL SHUTOFF AND PERSONNEL HEATER CIRCUIT BREAKERS REPLACEMENT (Sheet 1 of 2)**

TOOLS: 2 in. cross-tip screwdriver

PRELIMINARY PROCEDURE: Remove access plate from floor at commander's station (page 17-9).

**REMOVAL:**

1. Disconnect electrical leads (A) from circuit breaker (B).

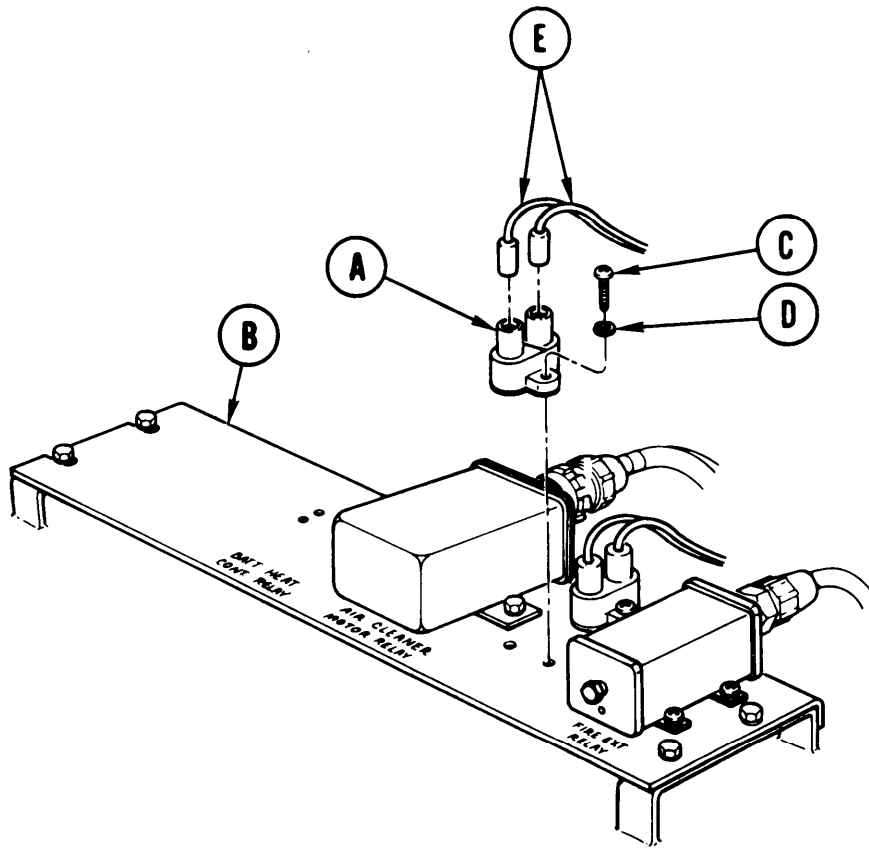


2. Using screwdriver, remove two screws (C) and lockwashers (D) securing circuit breaker (B) to mounting plate (E).
3. Remove circuit breaker (B) from mounting plate (E).

FUEL SHUTOFF AND PERSONNEL HEATER CIRCUIT BREAKERS REPLACEMENT (Sheet 2 of 2)

INSTALLATION:

1. Position circuit breaker(A) to mounting plate (B).
2. Using screwdriver, install two screws (C) and lockwashers (D) securing circuit breaker (A) to mounting plate (B).
3. Install electrical leads (E) to circuit breaker (A) by pushing in.
4. Install access plate at commander's, station (page 17-9).



End of Task

TA168816





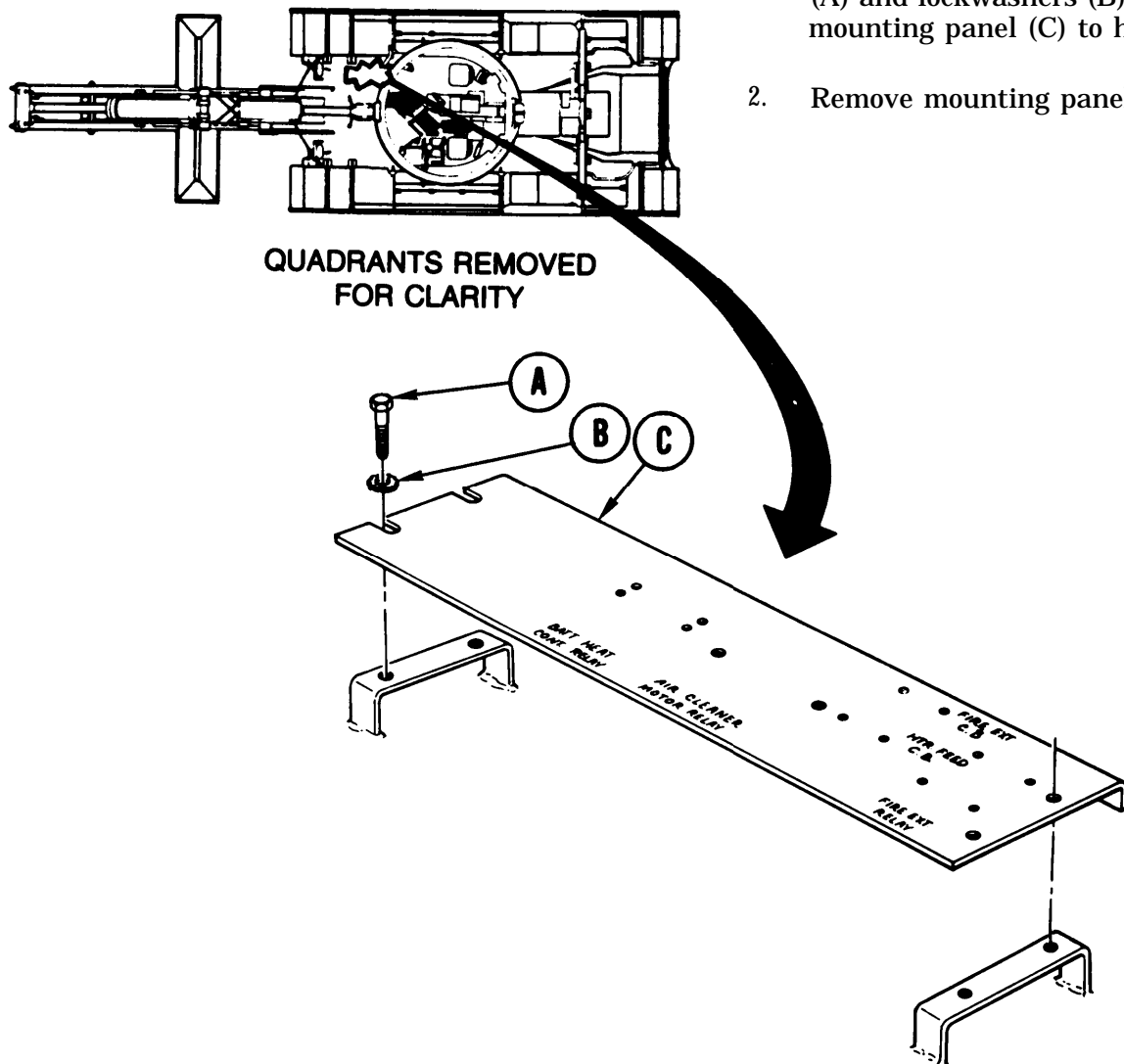
**RELAY AND CIRCUIT BREAKER MOUNTING PANEL REPLACEMENT (Sheet 1 of 2)**

**TOOLS:** 9/16 in. socket with 1/2 in. drive  
Ratchet with 1/2 in. drive

**PROCEDURES:** Remove fire extinguisher relay (page 10-141)  
Remove fire extinguisher solenoid relay (page 10-158)  
Remove air cleaner motor solenoid relay (page 10-163)  
Remove fuel shutoff and personnel heater solenoid relays  
(page 10-165)

**REMOVAL:**

1. Using socket, remove four screws (A) and lockwashers (B) securing mounting panel (C) to hull floor.
2. Remove mounting panel (C).



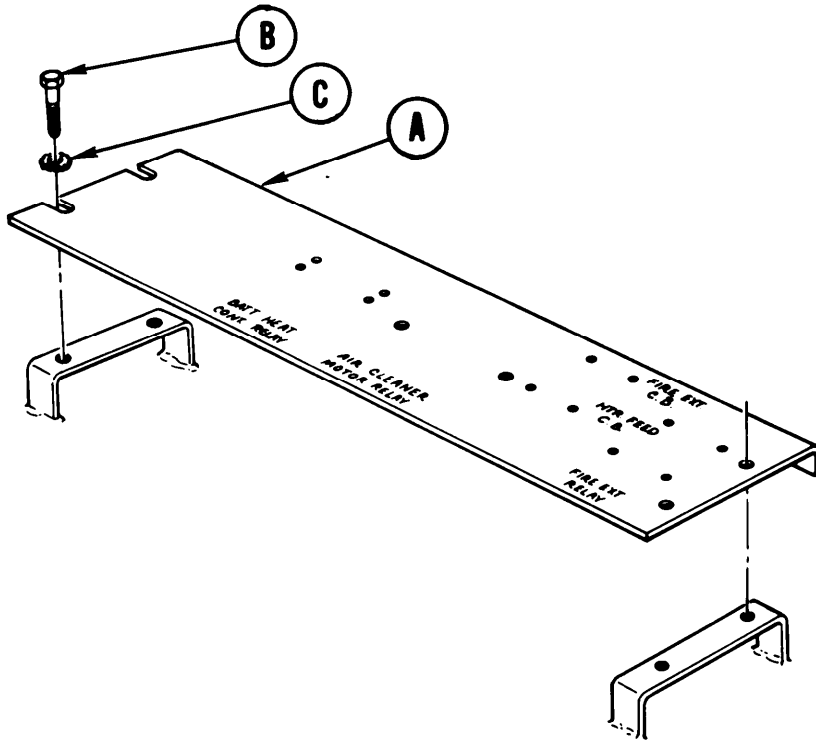
Go on to Sheet 2

TA168818

RELAY AND CIRCUIT BREAKER MOUNTING PANEL REPLACEMENT (Sheet 2 of 2)

INSTALLATION:

1. Replace mounting panel (A) in position on hull floor.
2. Using socket, install four screws (B) and lockwashers (C) securing mounting panel (A) to hull floor.



3. Install fire extinguisher relay (10-142).
4. Install fire extinguisher solenoid relay (10-159).
5. Install air cleaner motor solenoid relay (10-164).
6. Install fuel shutoff and personnel heater solenoid relays (10-166).

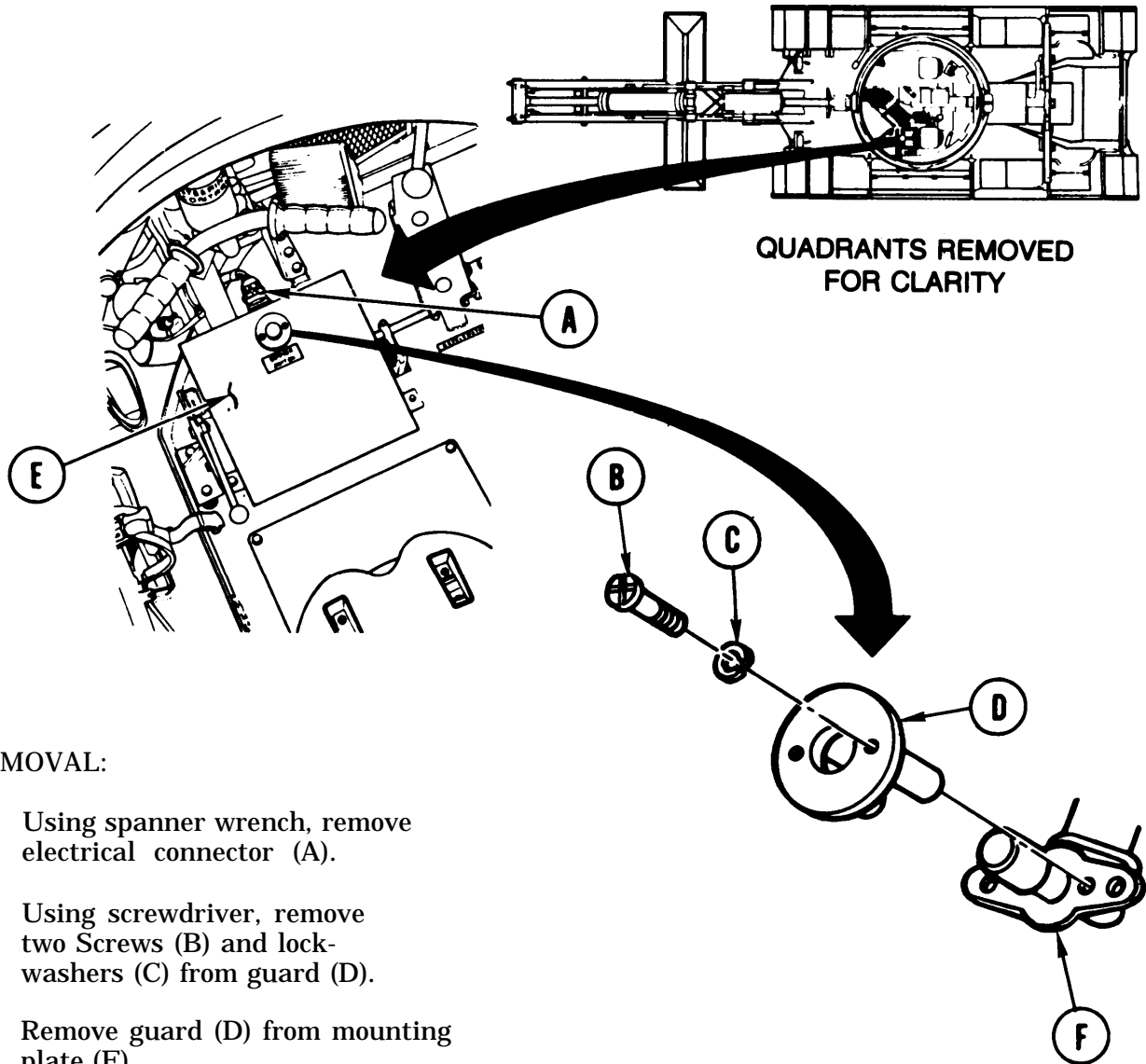
End of Task

TA168819

HEADLIGHT BEAM SELECTOR SWITCH ASSEMBLY REPLACEMENT (Sheet 1 of 2)

TOOLS: Cross-tip screwdriver  
Spanner wrench

REFERENCE: TM 5-5420-226-10



REMOVAL:

1. Using spanner wrench, remove electrical connector (A).
2. Using screwdriver, remove two Screws (B) and lock-washers (C) from guard (D).
3. Remove guard (D) from mounting plate (E).
4. Remove selector switch (F) from mounting plate (E).

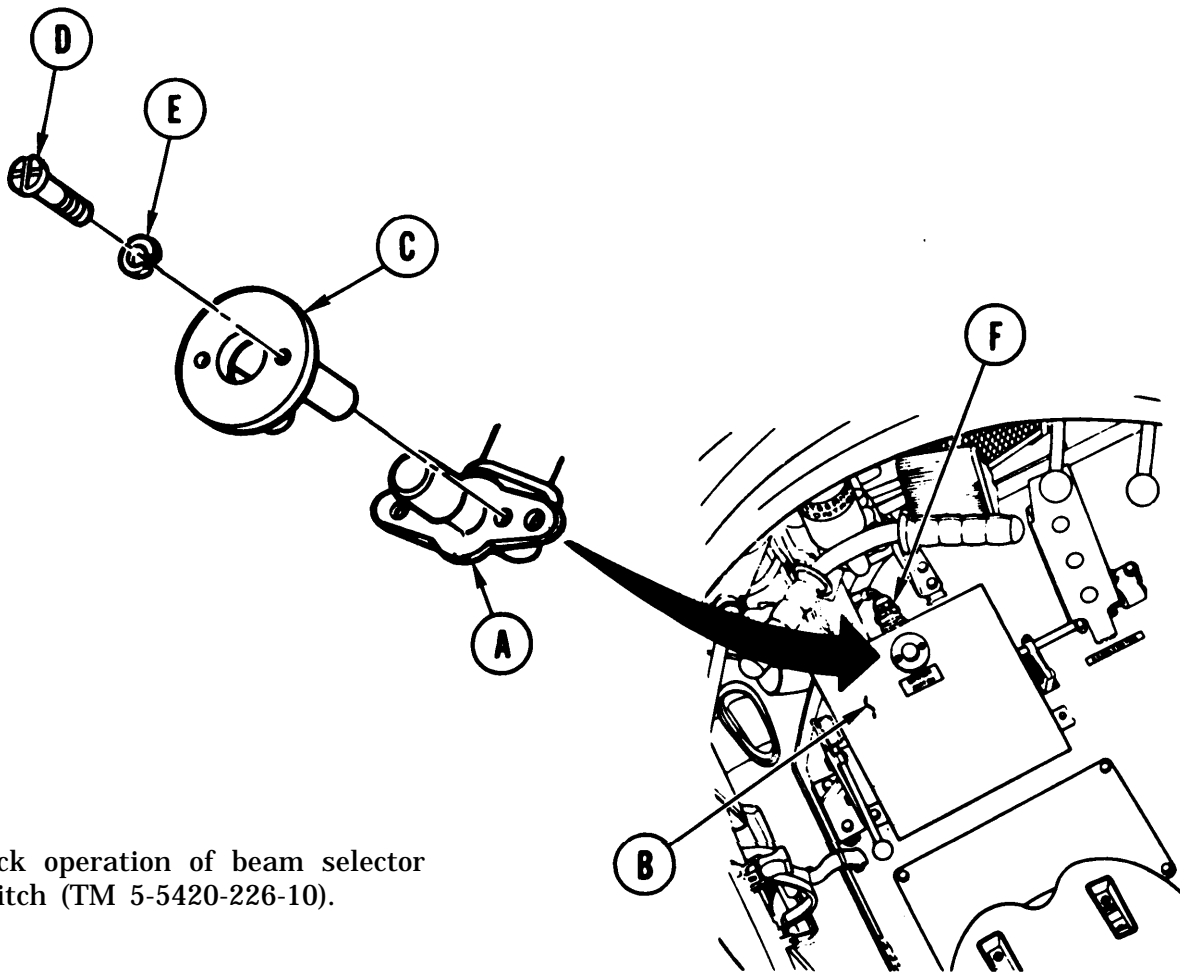
Go on to Sheet 2

TA168820

HEADLIGHT BEAM SELECTOR SWITCH ASSEMBLY REPLACEMENT (Sheet 2 of 2)

INSTALLATION:

1. Place selector switch (A) in position on mounting bracket (B).
2. Place guard (C) on selector switch (A).
3. Using screwdriver, install two screws (D) and lockwashers (E) securing guard (C) and selector switch (A) to mounting bracket (B).
4. Using spanner wrench, connect electrical connector (F) to selector switch (A).



5. Check operation of beam selector switch (TM 5-5420-226-10).

End of Task

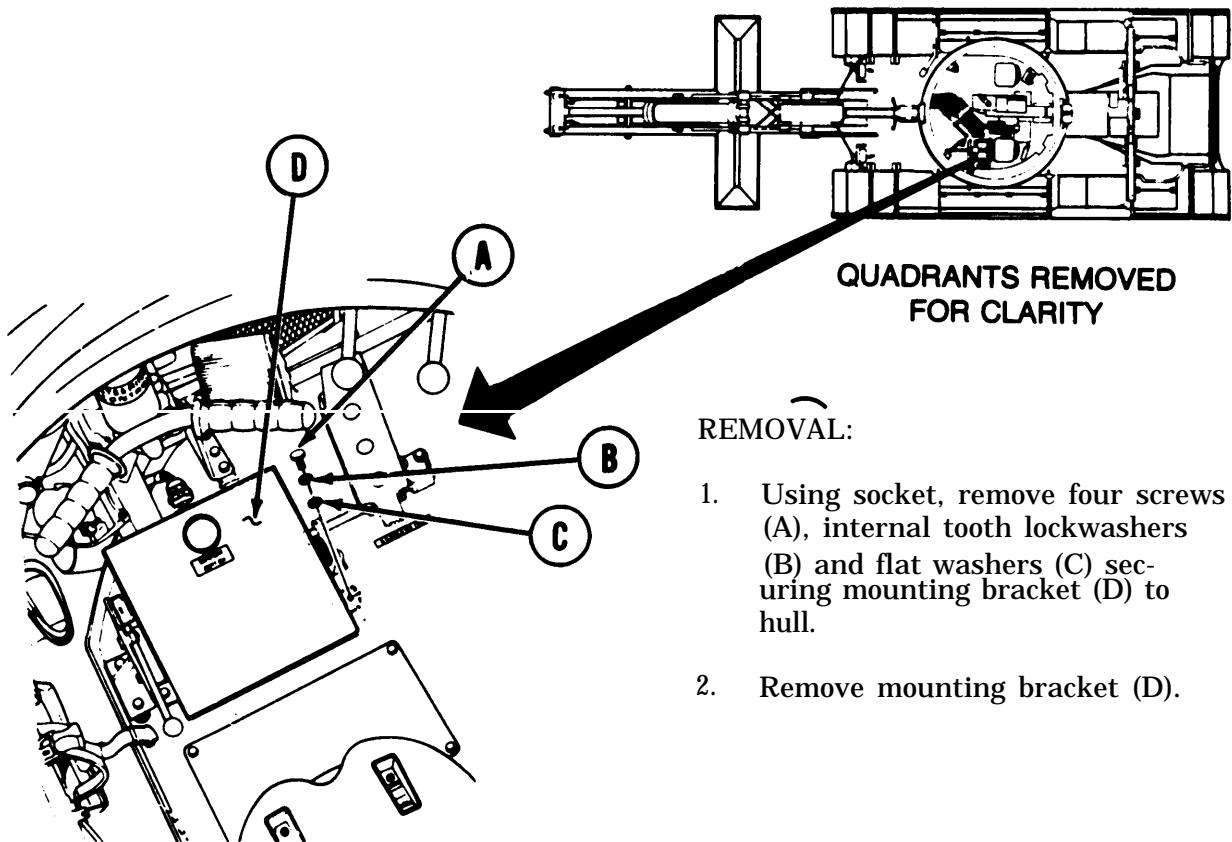
TA168821



**HEADLIGHT BEAM SELECTOR SWITCH ASSEMBLY MOUNTING BRACKET REPLACEMENT  
(Shee 1 of 1)**

**TOOLS:** 7/16 in. socket with 1/2 in. drive  
Ratchet with 1/2 in. drive

**PRELIMINARY PROCEDURE:** Remove headlight beam selector switch assembly  
(page 10-169)



**REMOVAL:**

1. Using socket, remove four screws (A), internal tooth lockwashers (B) and flat washers (C) securing mounting bracket (D) to hull.
2. Remove mounting bracket (D).

**INSTALLATION:**

1. Place mounting bracket (D) in position on hull.
2. Using socket, install four screws (A), internal tooth lockwashers (B), and flat washers (C) securing mounting bracket to hull.
3. Install headlight beam selector switch assembly (page 10-170).

End of Task

TA168822

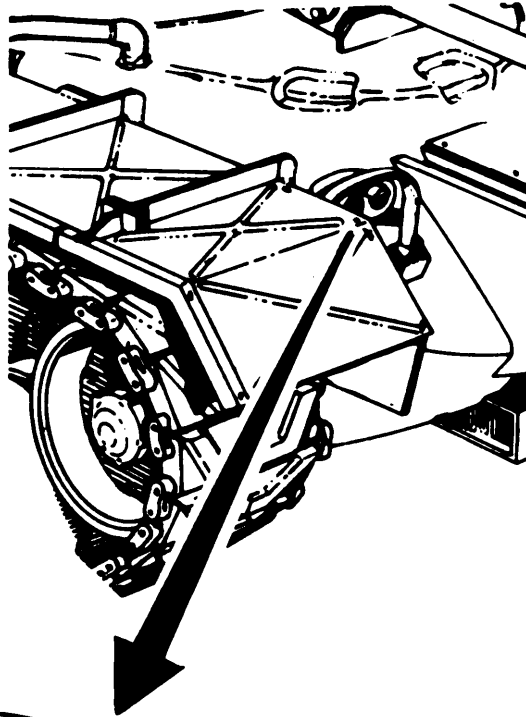
HEADLIGHT ASSEMBLY (LEFT AND RIGHT) REPLACEMENT (Sheet 1 of 1)

TOOLS: Hammer

REFERENCES: TM 5-5420-226-10

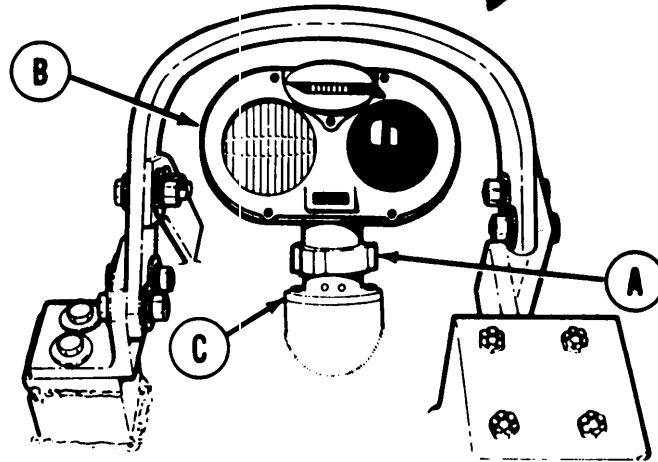
NOTE

**Some rings may be too tight to loosen with fingers. Tap with hammer until loose. Then do steps 1 and 2.**



REMOVAL:

1. Using fingers, turn ring (A) counter-clockwise while lifting headlight (B) away from base assembly (C).
2. Remove headlamp (B).



INSTALLATION:

1. Place headlight (B) in position on base assembly (C).
2. Using fingers, turn ring (A) clockwise while pressing down on headlight (B). Tighten ring.
3. Check operation of headlight assembly (TM 5-5420-226-10).

End of Task

TA168823

**HEADLIGHT ASSEMBLY REPAIR (LEFT AND RIGHT) (Sheet 1 of 8)**

PROCEDURE INDEX

PROCEDURE	PAGE
Disassembly	10-173
Cleaning and Inspection	10-177
Assembly	10-177

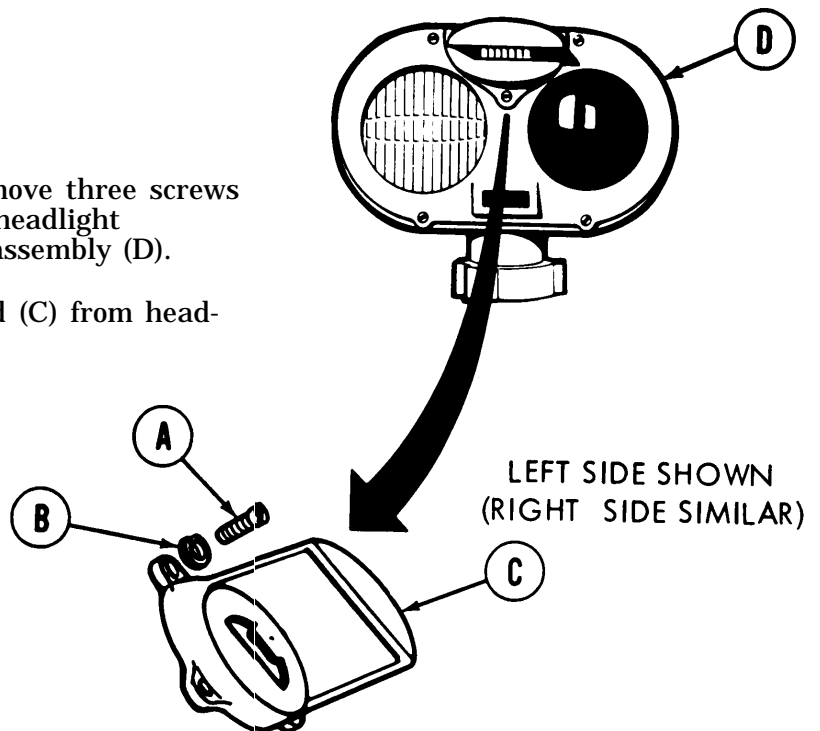
TOOLS: Flat-tip screwdriver  
 Cross-tip screwdriver

SUPPLIES: Adhesive (Item 2, Appendix D)  
 Crocus cloth (Item 14, Appendix D)  
 Steel wool (Item 56, Appendix D)  
 Soft cloth (Item 13, Appendix D)

PRELIMINARY PROCEDURES: Remove headlight assembly (page 10-172)

DISASSEMBLY:

1. Using cross-tip screwdriver, remove three screws (A) and lockwashers (B), holding headlight blackout shield (C) to headlight assembly (D).
2. Remove headlight blackout shield (C) from headlight assembly (D).

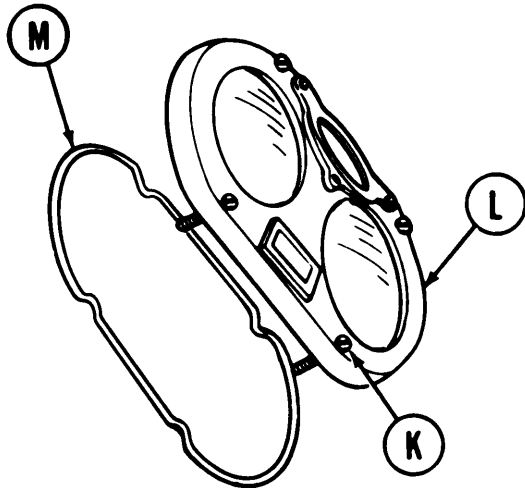
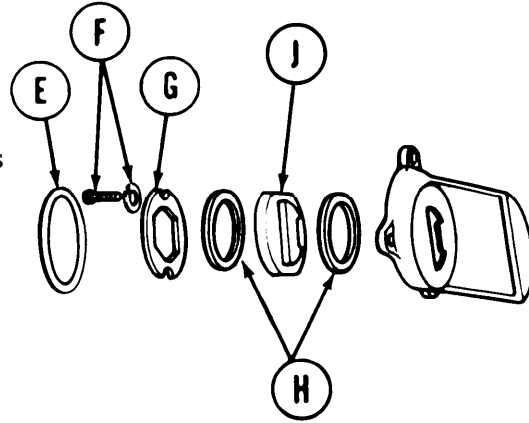


Go on to Sheet 2

TA168824

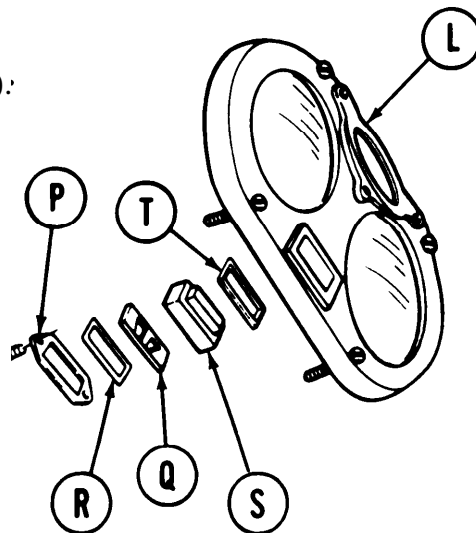
HEADLIGHT ASSEMBLY REPAIR (LEFT AND RIGHT) (Sheet 2 of 8)

3. Remove round rubber seal (E).
4. Using cross-tip screwdriver, remove two screws and lockwashers (F).
5. Using fingers, remove retainer (G), two rubber seals (H), and lens (J).



6. Using flat-tip screwdriver, loosen four captive screws (K).
7. Remove headlight cover (L).
8. Using fingers, remove seal (M).

9. Using cross-tip screwdriver, remove two screws (N) with assembled washers. Remove retainer (P):
10. Using fingers, remove filter (Q), rubber seal (R), lens (S), and seal (T).

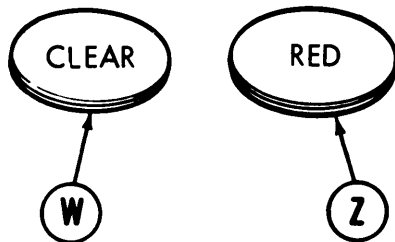
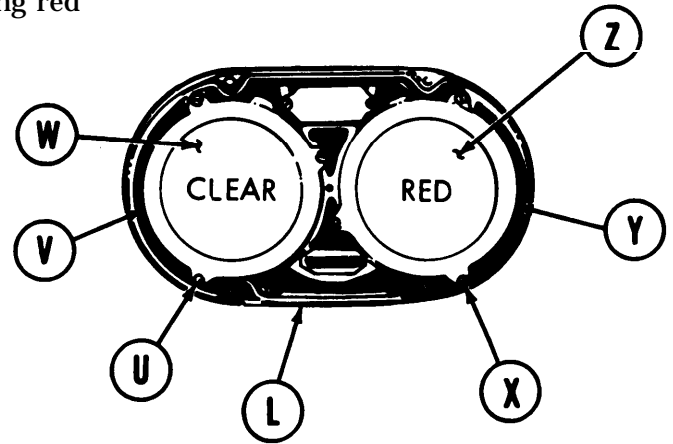
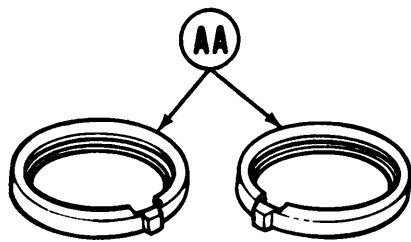


Go on to Sheet 3

TA168825

**HEADLIGHT ASSEMBLY REPAIR (LEFT AND RIGHT) (Sheet 3 of 8)**

11. Using cross-tip screwdriver, remove three screws and lockwashers (U) and retainer (V) holding clear headlight lens (W) in headlight cover (L).
12. Push out clear lens and seal (W) from headlight cover (L).
13. Using cross-tip screwdriver, remove three screws and lockwashers (X) and retainer (Y) holding red lens (Z) in headlight cover (L).



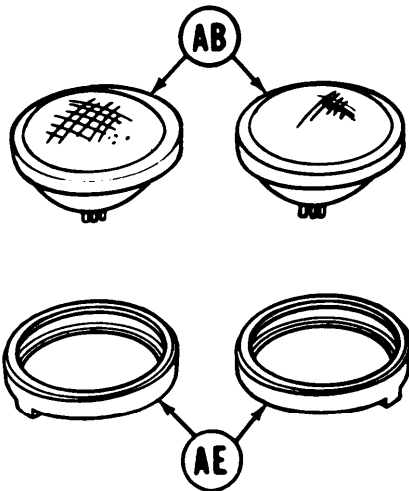
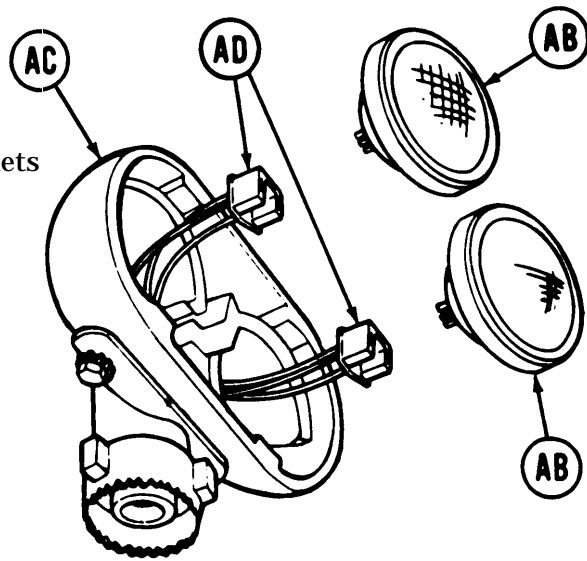
14. Push out red lens and seal (Z) in same manner as clear lens.
15. Using fingers, remove two seals (AA) from clear lens (W) and red lens (Z).

Go on to Sheet 4

TA168826

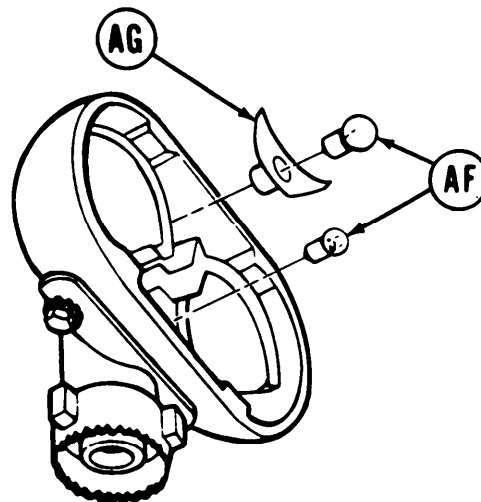
HEADLIGHT ASSEMBLY REPAIR (LEFT AND RIGHT) (Sheet 4 of 8)

- 16. Using fingers, lift out two headlights and gaskets (AB) from headlight body (AC).
- 17. Unplug two headlights (AB) from electrical connectors (AD).



- 18. Using fingers, remove two seals (AE) from headlights (AB).

- 19. Remove two bulbs (AF) by pushing in and twisting them counterclockwise. Remove reflector (AG) with fingers,



Go on to Sheet 5

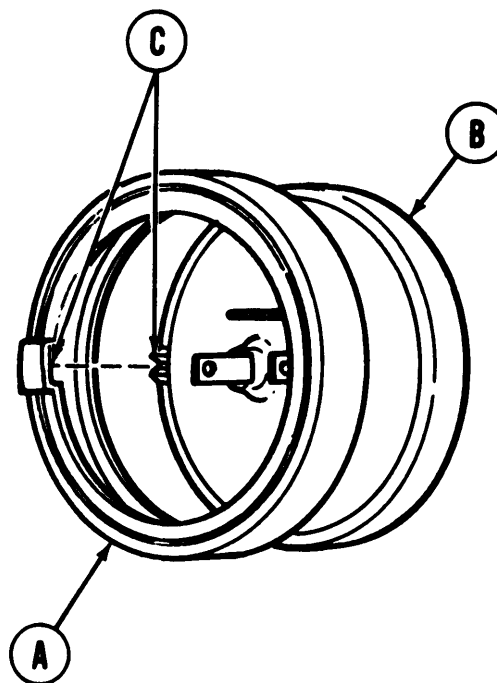
TA168827

**HEADLIGHT ASSEMBLY REPAIR (LEFT AND RIGHT) (Sheet 5 of 8)****CLEANING AND INSPECTION:**

1. Inspect headlight components for corrosion. Any item that cannot be cleaned with crocus cloth or steel wool is cause for replacement.
2. Inspect seals and gaskets for wear, cuts, and/or deterioration. Replace damaged seals and gaskets.
3. Using soft cloth, clean lens glass.
4. Inspect lens glass for chipping, scratches, or cracks. Replace damaged lens glass.
5. Using cloth, remove any dust or moisture from parts.

**ASSEMBLY:**

1. Slide two scab (A) over two headlights (B), aligning notches (C) on both.

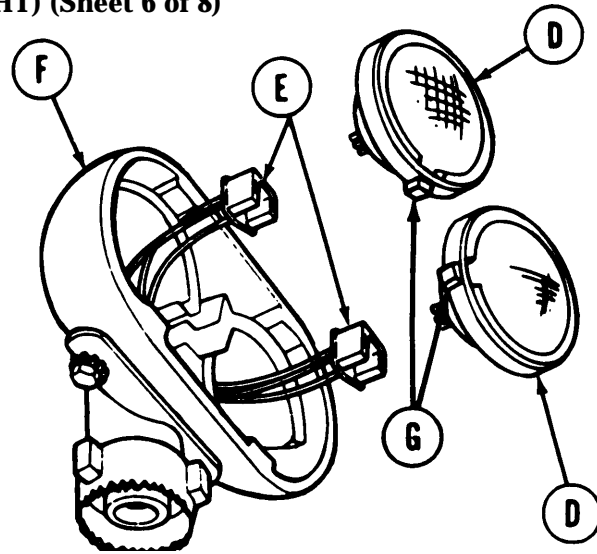


Go on to Sheet 6

TA168828

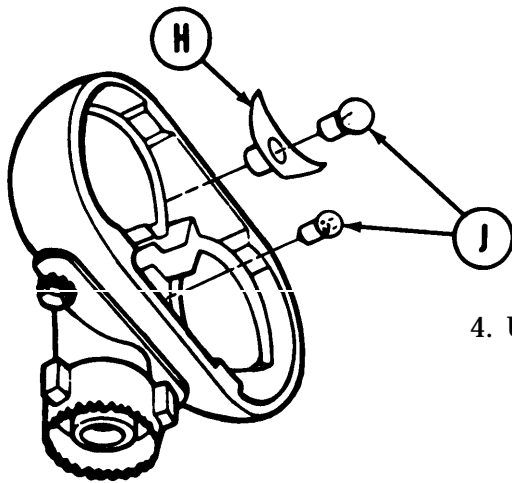
HEADLIGHT ASSEMBLY REPAIR (LEFT AND RIGHT) (Sheet 6 of 8)

2. Connect two headlights (D) to two electrical connectors (E) on headlight body (F).
3. Place two headlights (D) in headlight body (F) aligning notches (G) on both.

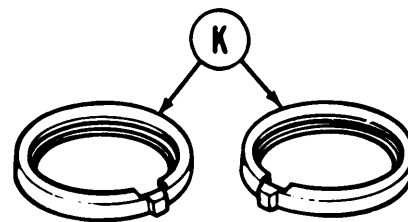


NOTE

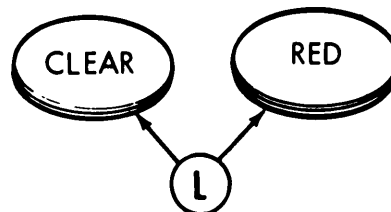
Install reflector (H) with larger bulb (J).



4. Using fingers, install reflector (H), and install two bulbs (J) by pushing in and twisting them clockwise. Large bulb with reflector (H) goes on top.



5. Using fingers, install two seals (K) around two headlight lenses (L). Make sure notches of seals are to inside.



Go on to Sheet 7

TA168829

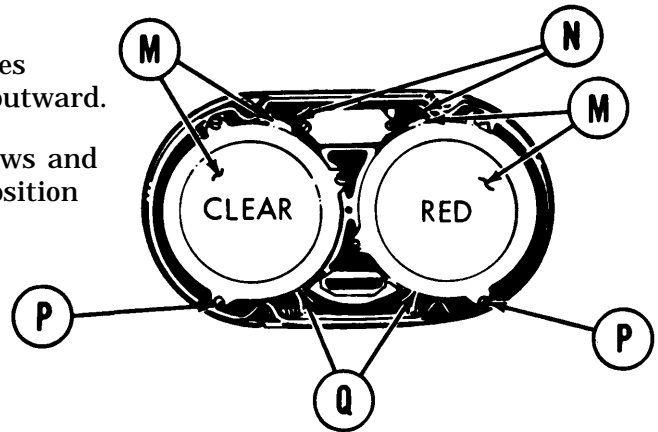


HEADLIGHT ASSEMBLY REPAIR (LEFT AND RIGHT) (Sheet 7 of 8)

NOTE

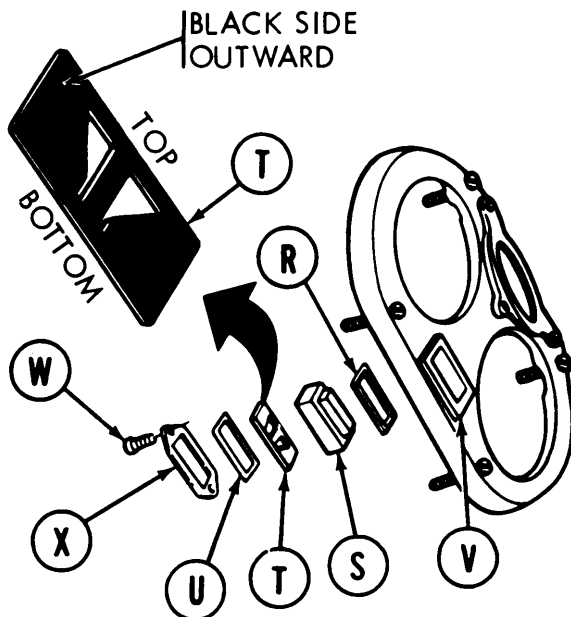
Make sure red and clear lenses (M) are positioned as shown.

6. Place headlight lens and seals (M) in notches of headlight cover (N) with rounded sides outward.
7. Using cross-tip screwdriver, install six screws and lockwashers (P) and two retainers (Q) in position over two lenses (M) and tighten.



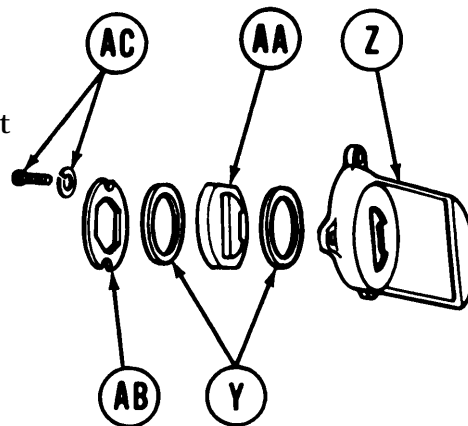
NOTE

Make sure filter (T) is positioned in blackout marker cavity (V) properly.



8. Using fingers, install seal (R), lens (S), filter (T), and seal (U) in blackout marker cavity (V).
9. Using cross-tip screwdriver, install two screws (W) with assembled washers to secure retainer (X).

10. Using fingers, install one seal (Y) in blackout headlight shield (Z).
11. Using fingers, install blackout headlight lens (AA) in position on blackout headlight shield (Z).
12. Using cross-tip screwdriver, install other seal (Y) and retainer (AB) into headlight shell (Z) with two screws and lockwashers (AC).

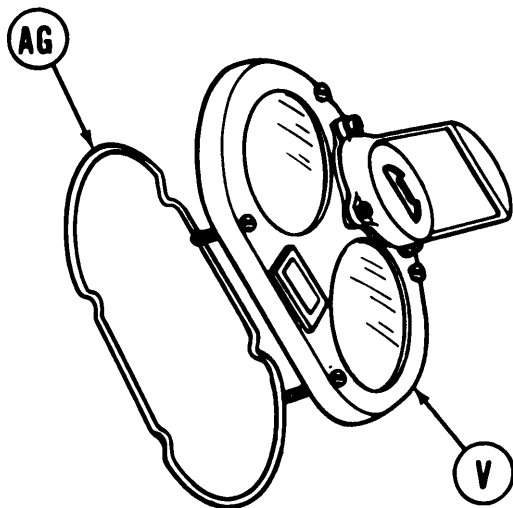
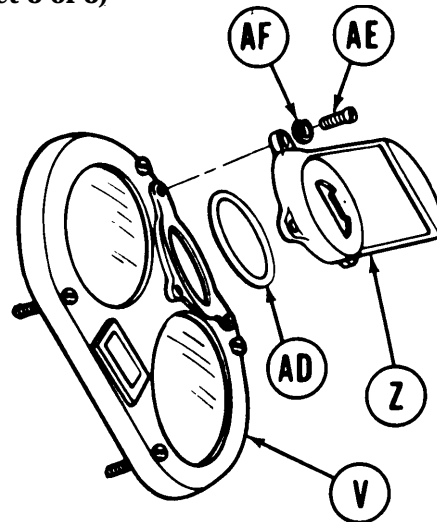


Go on to Sheet 8

TA168830

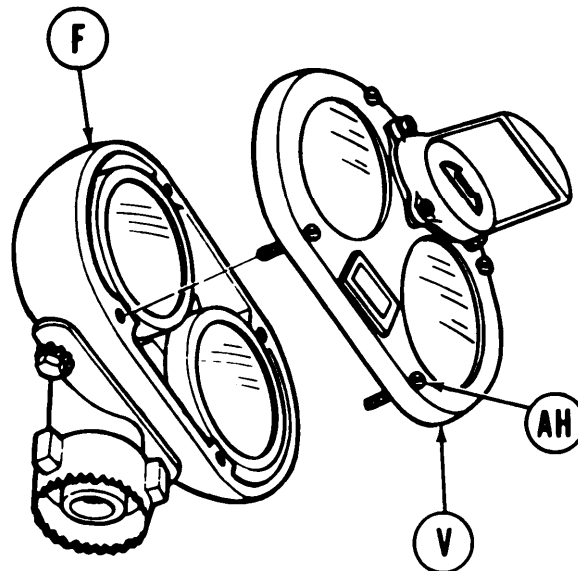
HEADLIGHT ASSEMBLY REPAIR (LEFT AND RIGHT) (Sheet 8 of 8)

12. Apply adhesive to round seal (AD), place on blackout headlight shield (Z).
13. Using cross-tip screwdriver, install three screws (AE), lockwashers (AF), and shield (Z) to headlight cover (V).



14. Apply adhesive to headlight cover seal (AG) and insert on headlight cover (V).

15. Using flat-tip screwdriver, tighten four captive screws (AH) securing headlight cover (V) to headlight body (F).
16. Install headlight assembly (page 10-172).
17. Check operation of headlight (TM 5-5420-226-10).



End of Task

**HEADLIGHT HARNESS BASE ASSEMBLY REPLACEMENT (Shed 1 of 4)**

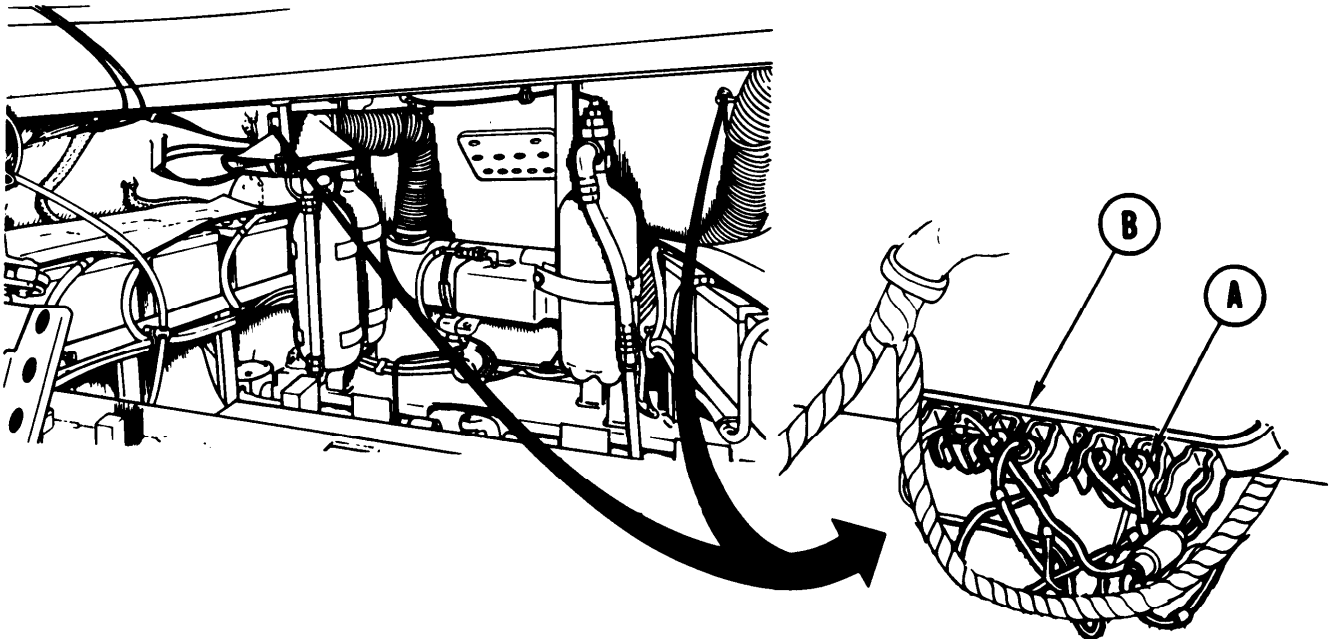
PROCEDURE INDEX

PROCEDURE	PAGE
Removal	10-181
Installation	10-183

TOOLS: Cross-tip screwdriver  
 7/16 in. combination box and open end wrench

SUPPLIES: Silicone compound (Item 32, Appendix D)

PRELIMINARY PROCEDURES: Remove headlight assembly (page 10-172)



REMOVAL:

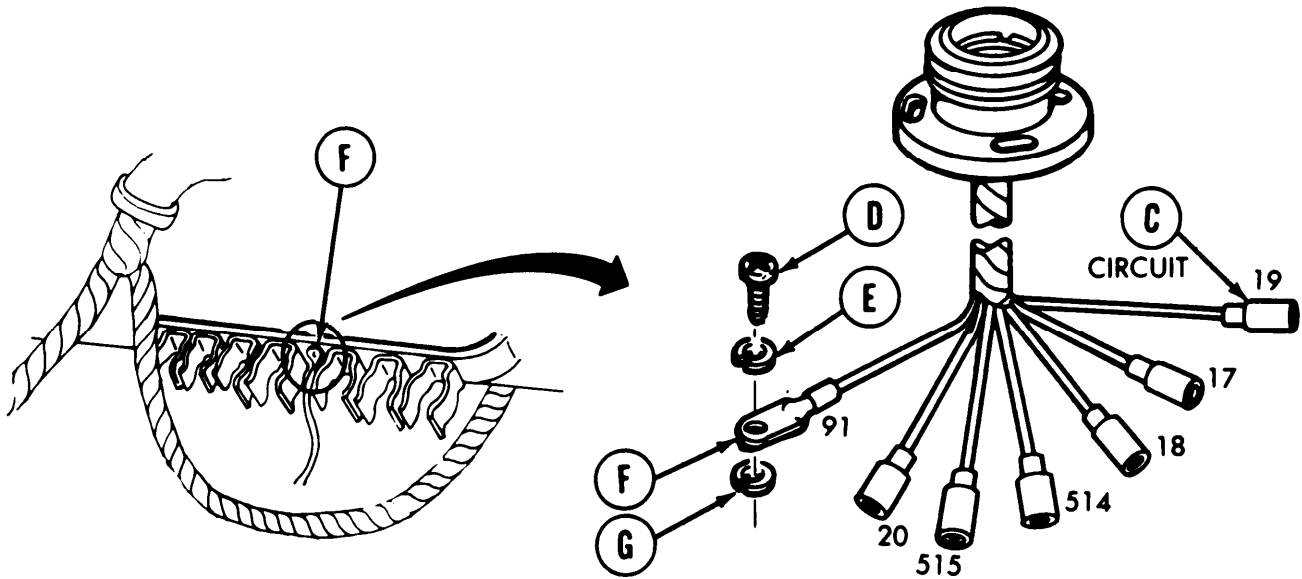
1. From inside vehicle, remove six connectors (A) from bracket assembly (B) by pulling down.

Go on to Sheet 2

TA168832

HEADLIGHT HARNESS BASE ASSEMBLY REPLACEMENT (Sheet 2 of 4)

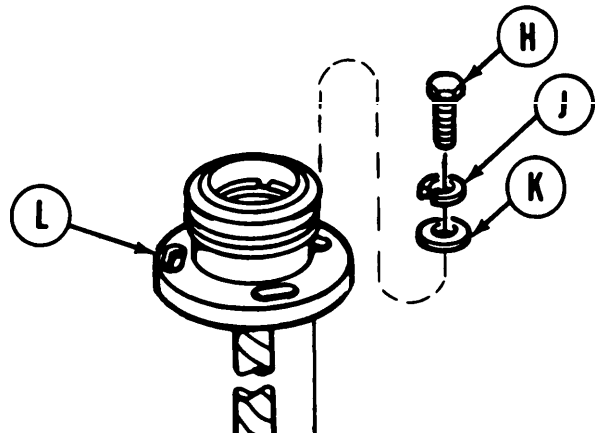
2. Disconnect six electrical connectors (C) by pulling apart.
3. Using screwdriver, remove screw (D), lockwasher (E), ground lead (F), and lockwasher (G) from hull.



4. From outside of vehicle, using wrench, remove three screws (H), lockwashers (J), and flat washers (K) securing base assembly (L) and gasket (M) to vehicle.

NOTE

Remove connecton and leads one at a time.

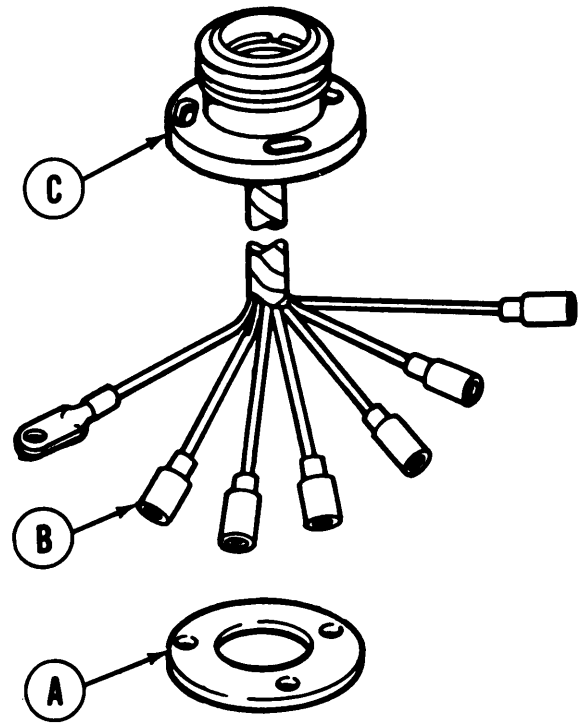
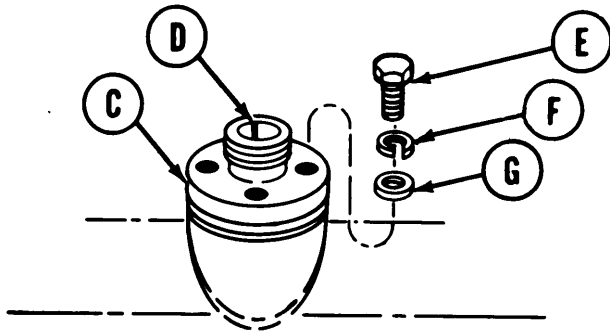


5. Remove base assembly (L) and gasket (M).

**HEADLIGHT HARNESS BASE ASSEMBLY REPLACEMENT (Sheet 3 of 4)**

**INSTALLATION:**

1. Place gasket (A) in position on vehicle.
2. Insert six electrical connectors (B) through hole in vehicle.
3. Place base assembly (C) in position on gasket (A) with slot (D) to the rear.



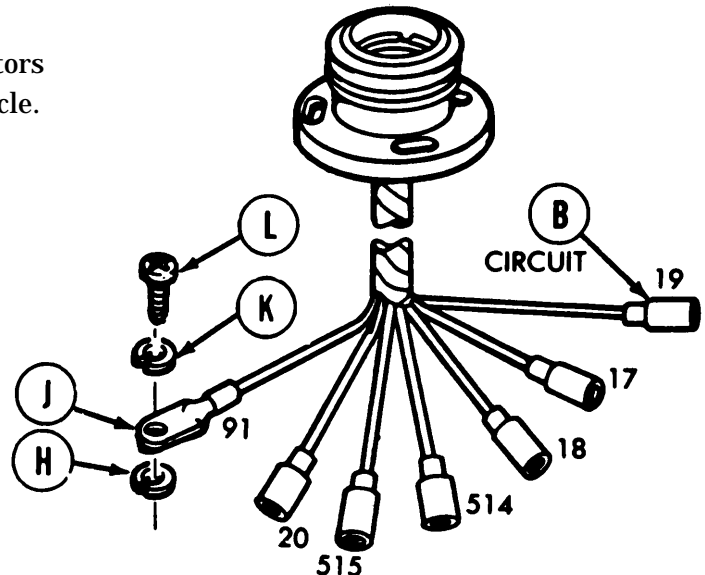
4. Using wrench, install three screws (E), lockwashers (F), and flat washers (G) securing base assembly (C) to vehicle.

5. Apply silicone compound to six connectors (B) located on front harness inside vehicle.
6. From inside vehicle, connect six connectors (B) by pushing together.

**NOTE**

**Make sure to connect connectors properly. Use the metal tags for identifying the proper connections.**

7. Using screwdriver, install lockwashers (H), ground lead (J), lockwasher (K), and screw (L) securing ground lead to hull.

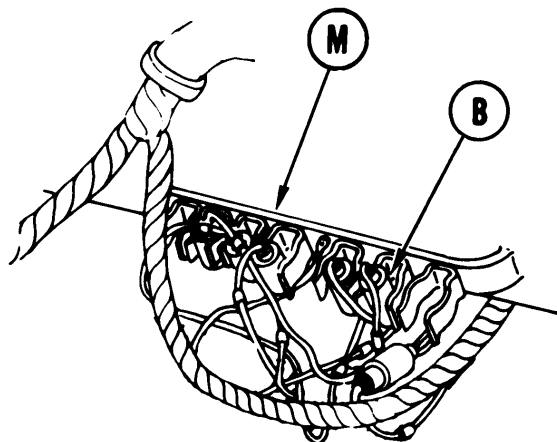


Go on to Sheet 4

TA168834

**HEADLIGHT HARNESS BASE ASSEMBLY REPLACEMENT (Sheet 4 of 4)**

8. Place six connectors (B) in position in bracket assembly (M) by pushing up.
9. Install headlight assembly (page 10-172).



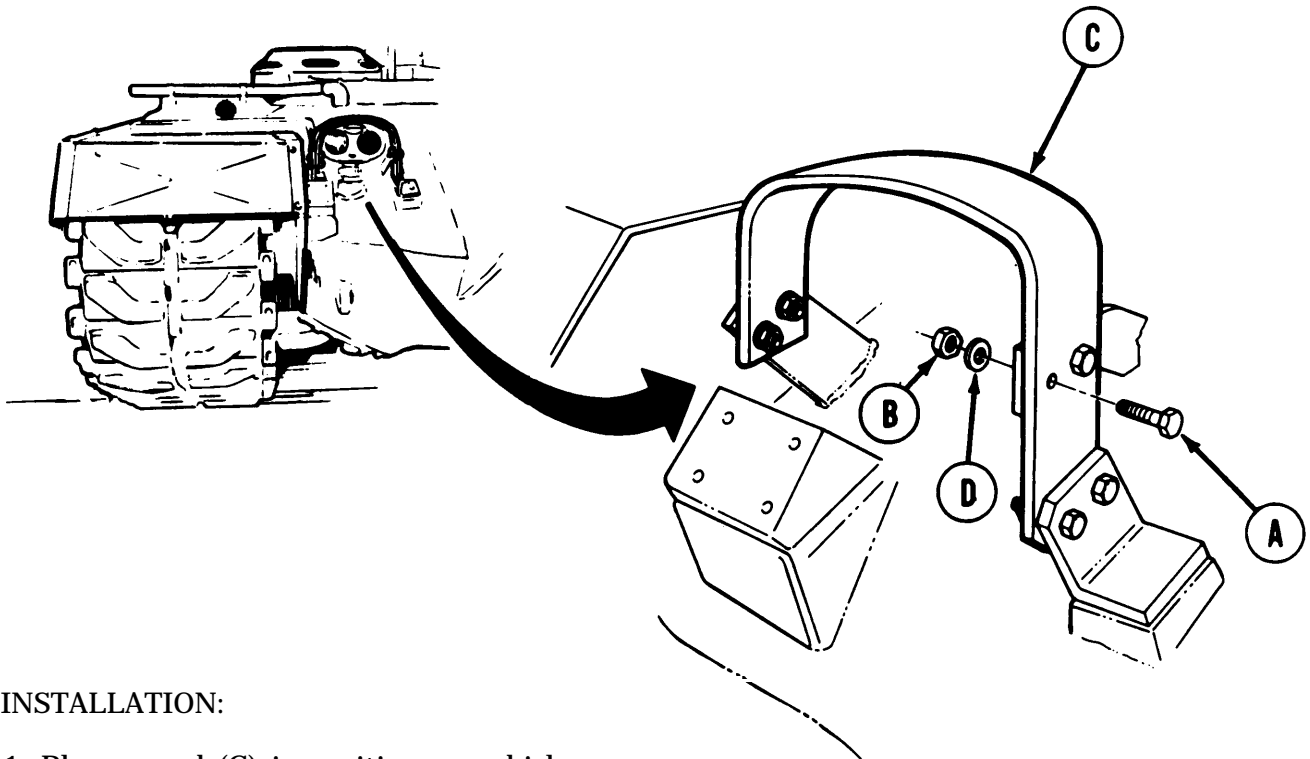
End of Task

**HEADLIGHT GUARD REPLACEMENT**

TOOLS: 3/4 in. open end wrench (2 required)

**REMOVAL:**

1. Holding screw (A) with wrench, use wrench to remove six nuts (B) securing six screws (A) to guard (C).
2. Remove six screws (A) and flat washers (D) securing guard (C) to vehicles

**INSTALLATION:**

1. Place guard (C) in position on vehicle.
2. Using fingers loosely install six screws (A), flat washers (D), and nuts (B) securing guard (C) to vehicle.
3. Holding screw (A) with one wrench, use other wrench to tighten six nuts (B).

End of Task

TA168836

**HEADLIGHT BASE ASSEMBLY SHELL REPLACEMENT (Sheet 1 of 1)**

TOOLS: Round nose pliers

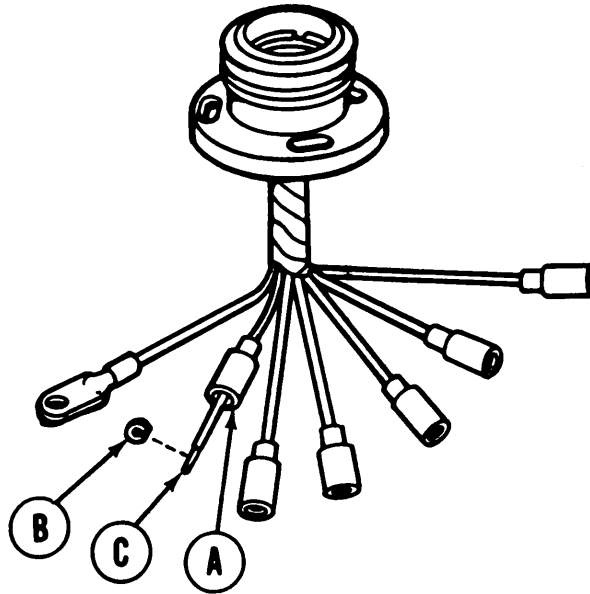
PRELIMINARY PROCEDURE: Remove headlight base assembly (page 10-181)

REMOVAL:

1. Slide shell (A) up so that lockwasher (B) is visible.
2. Using pliers, remove lockwasher (B) from wire (C).
3. Slide shell (A) off wire (C).

INSTALLATION:

1. Slide shell (A) onto wire (C).
2. Using fingers, slide lockwasher (B) onto wire (C).
3. Using pliers, tighten lockwasher (B) so it is securely in place.
4. Slide shell (A) over lockwasher (B) and end of wire (C).
5. Install headlight base assembly (page 10-183).



End of Task



**HEADLIGHT STOWAGE LAMPHOLDER REPLACEMENT (Sheet 1 of 1)**

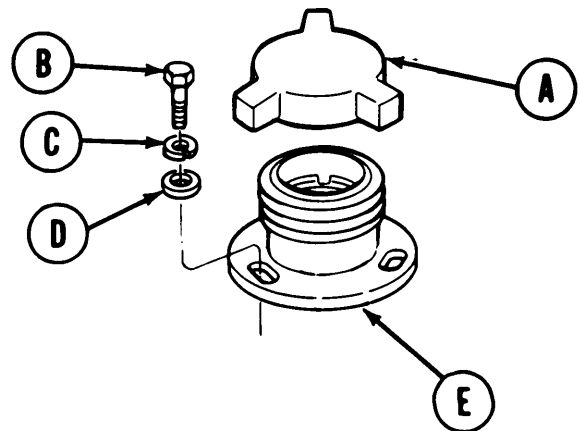
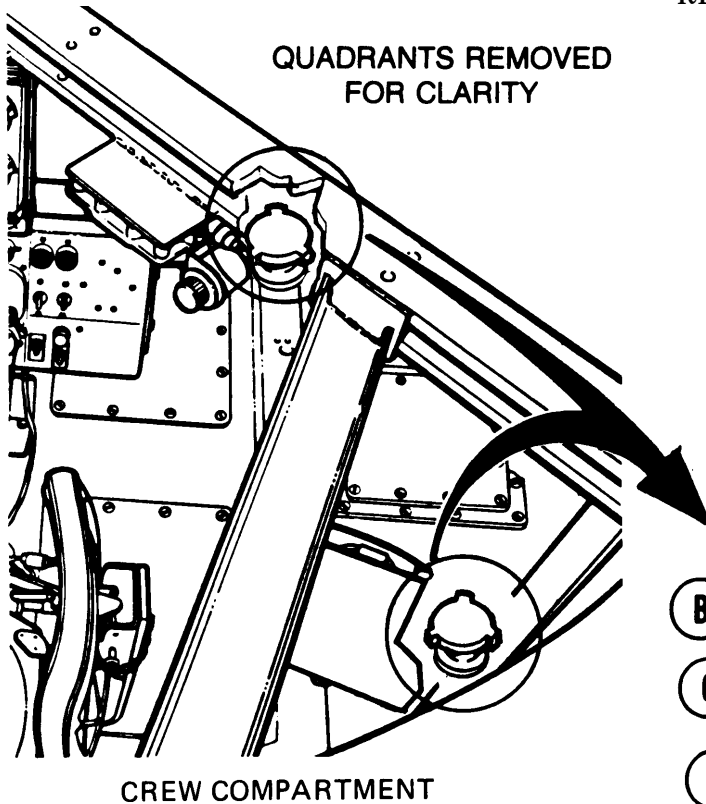
TOOLS: 7/16 in. combination box and open end wrench

**NOTE**

**There are two lampholders in the crew compartment. Removal and installation are the same for each lampholder.**

**REMOVAL:**

1. Using hand, remove dust cap (A) by turning counter clockwise.
2. Using wrench, remove three screws (B), lockwashers (C), and flat washers (D).
3. Remove lampholder (E).



**INSTALLATION:**

1. Place lampholder (E) in position.
2. Using wrench install three screws (B), lockwashers (C), and flat washer (D).
3. Install dust cap (A) by turning clockwise.

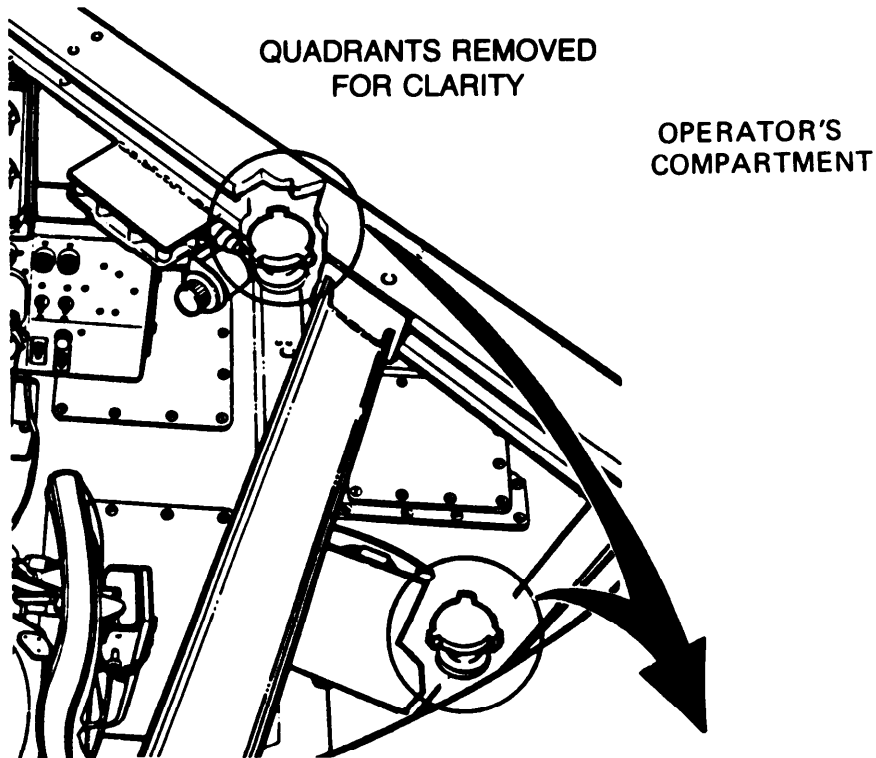
End of Task

**HEADLIGHT STOWAGE LAMPHOLDER REPAIR (Sheet 1 of 1)**

TOOLS: Flat-tip screwdriver

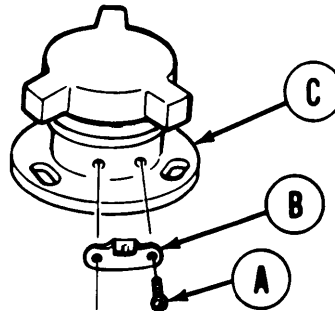
SUPPLIES: Spring clip (7739925)

PRELIMINARY PROCEDURE: Remove lampholder from vehicle (page 10-187)



**DISASSEMBLY:**

1. Using screwdriver, remove two screws (A) with assembled lock-washers.
2. Remove defective spring clip (B) from lampholder (C) and throw it away.



**ASSEMBLY:**

1. Place new spring clip (B) in position on lampholder (C).
2. Using screwdriver, install two screws (A) with assembled lockwashers.
3. Install lampholder (page 10-187).

End of Task

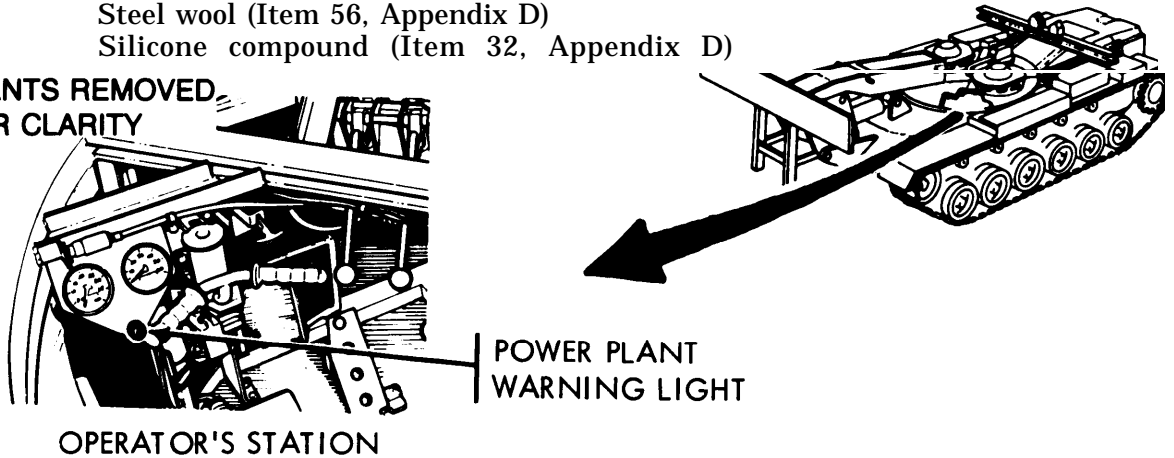
TA168839

**POWER PLANT WARNING LIGHT REPAIR (Sheet 1 of 2)**

**TOOLS:** 10 in. adjustable wrench  
Cross-tip screwdriver

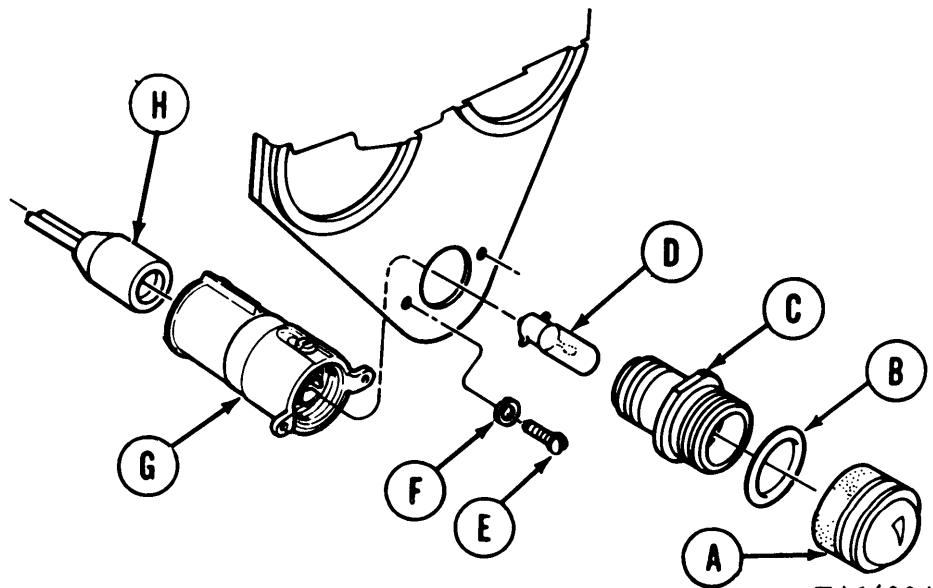
**MATERIALS:** Lint free cloth (Item 12, Appendix D)  
Packing (MS28775-021)  
Steel wool (Item 56, Appendix D)  
Silicone compound (Item 32, Appendix D)

QUADRANTS REMOVED  
FOR CLARITY



**DISASSEMBLY:**

1. Unscrew lens (A), and remove packing (B), from adapter (C).
2. Using wrench, remove adapter (C).
3. Press in on lamp (D), turn it left slightly and remove.
4. Using screwdriver, remove two screws (E), lockwashers (F), and light assembly (G).
5. With fingers, pull electrical connector (H) loose from light assembly (G).



Go on to Sheet 2

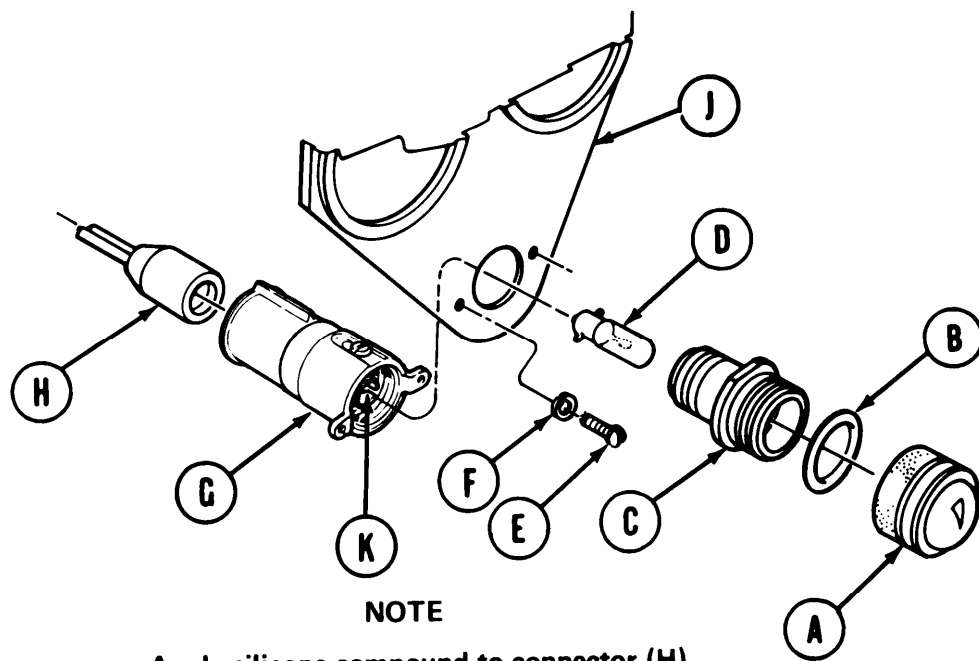
TA168840

POWER PLANT WARNING LIGHT REPAIR (Sheet 2 of 2)

CLEANING AND INSPECTION:

1. Clean lens (A) with moist lint free cloth.
2. Using steel wool, remove any corrosion from connector terminal (K) of lamp assembly (G).
3. Inspect lens for cracks or deep scratches. Replace if any are found.

INSTALLATION:



NOTE

Apply silicone compound to connector (H).

1. Using fingers, connect electrical connector (H), to light assembly (G).
2. Using screwdriver, secure light assembly (G), to bracket (J), with two screws (E) and lockwashers (F).
3. Insert lamp (D) in socket. Press in and turn slightly right, and release to secure.
4. Using adjustable wrench, install adapter (C).
5. Place packing (B) on adapter (C), and install lens (A) finger tight.
6. Place MASTER BATTERY switch to ON and check that lamp (D) lights.

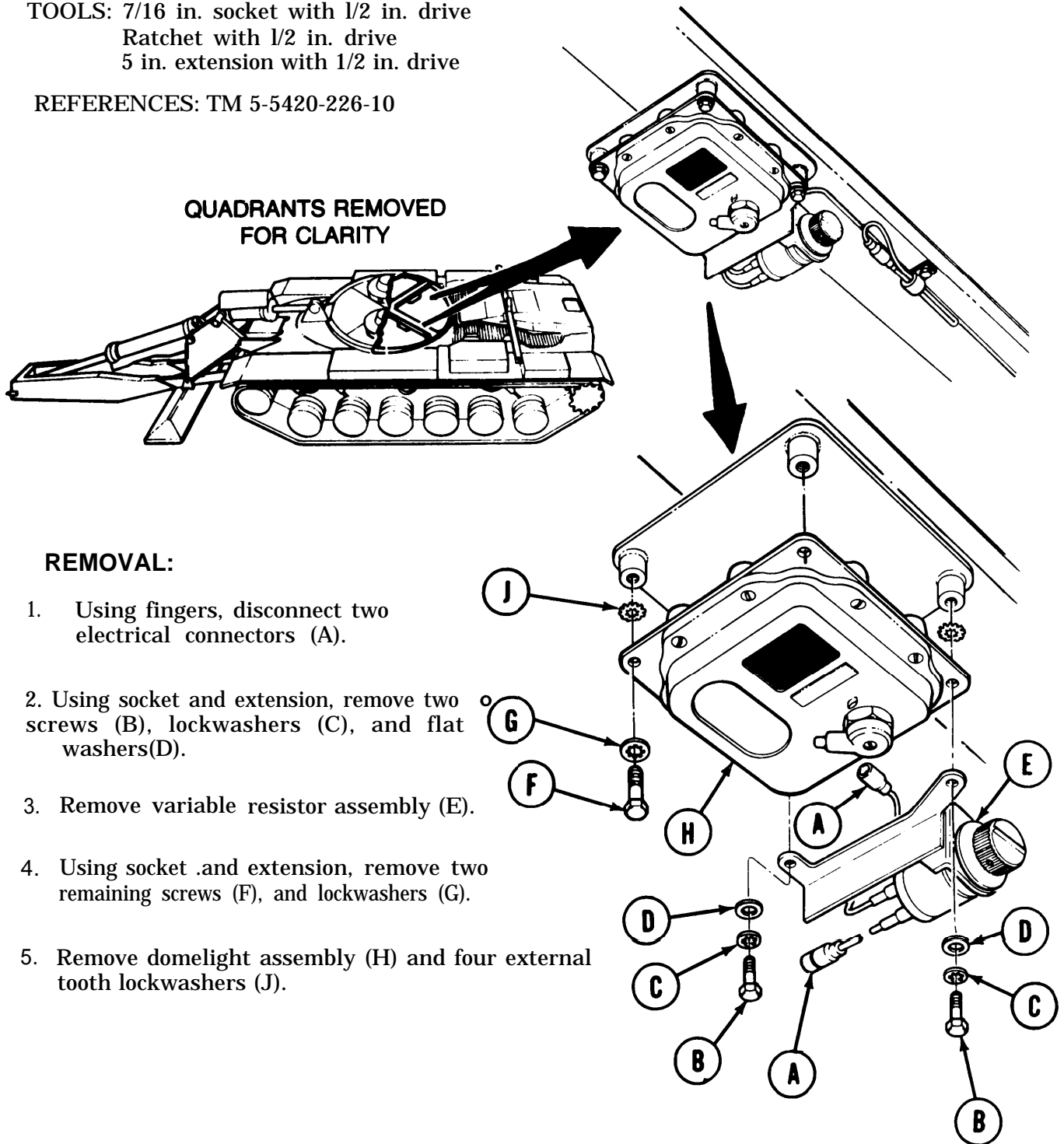
End of Task

TA168841

**DOMELIGHT ASSEMBLY REPLACEMENT (Sheet 1 of 2)**

**TOOLS:** 7/16 in. socket with 1/2 in. drive  
 Ratchet with 1/2 in. drive  
 5 in. extension with 1/2 in. drive

**REFERENCES:** TM 5-5420-226-10



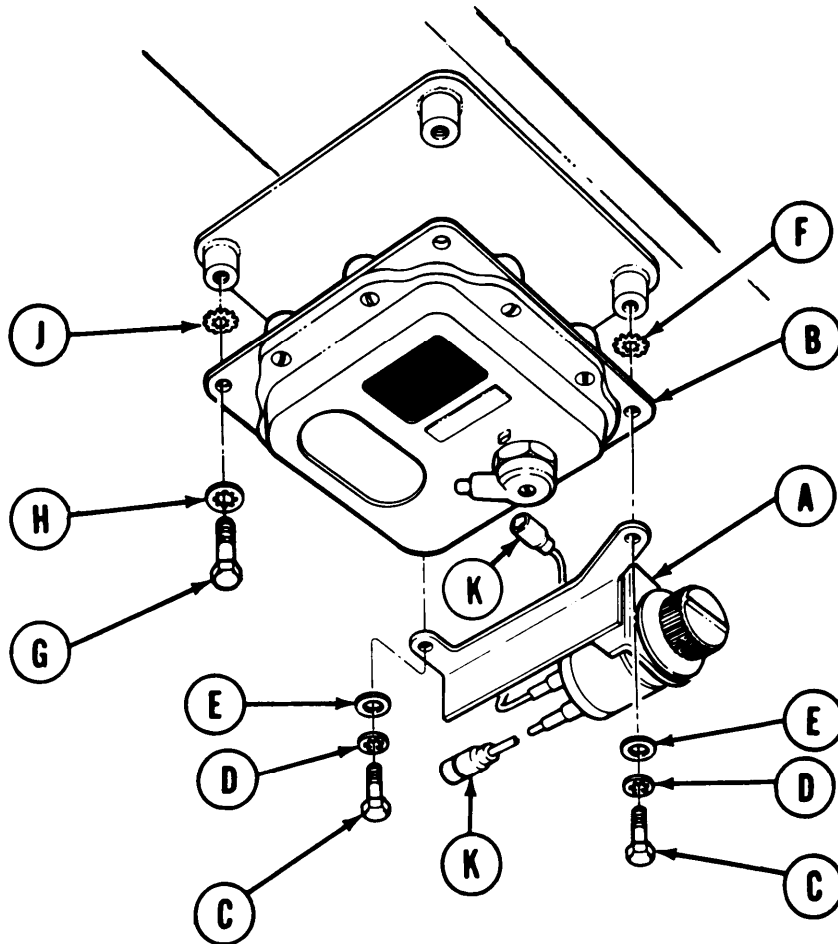
Go on to Sheet 2

TA168843

DOMELIGHT ASSEMBLY REPLACEMENT (Sheet 2 of 2)

INSTALLATION:

1. Place resistor assembly (A) in position on domelight assembly (B).
2. Insert two screws (C), lockwashers (D), and flat washers (E) in screw holes of domelight assembly.
3. Place two external tooth lockwashers (F) over screws (C).
4. Aline domelight (B) on mounting bracket of vehicle.
5. Tighten screws (C) with fingers.
6. Using socket and extension, install two remaining screws (G), lockwashers (H), and external tooth lockwashers (J).
7. Using socket and extension, tighten two screws (G).
8. Using fingers, connect two electrical connectors (K).
- 9\* Check operation of domelight (TM 5-5420-226-10).



End of Task

TA168842

**DOMELIGHT ASSEMBLY REPAIR (Sheet 1 of 8)**

PROCEDURE INDEX

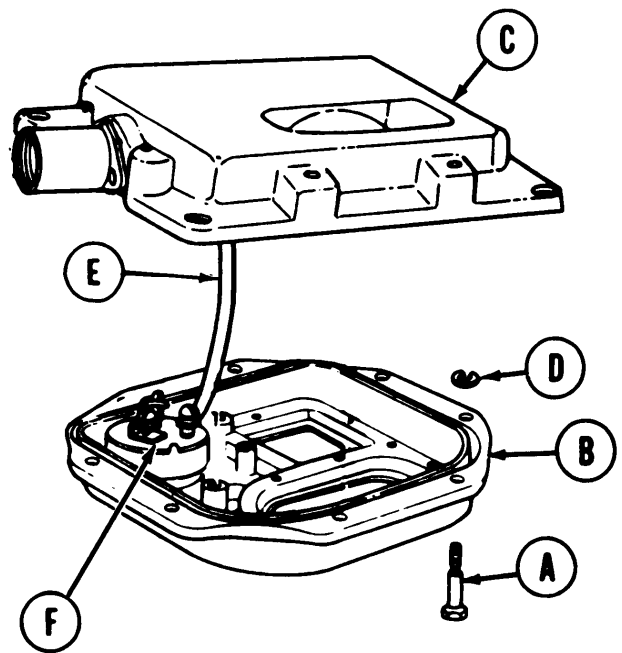
PROCEDURE	PAGE
Disassembly	10-193
Cleaning and Inspection	10-197
Assembly	10-197

**TOOLS:** Flat-tip screwdriver  
 Cross-tip screwdriver  
 8 in. adjustable wrench  
 Long round-nose pliers

**PRELIMINARY PROCEDURE:** Remove domelight (page 10-191)

**DISASSEMBLY:**

1. Using flat-tip screwdriver, unscrew eight captive screws (A).
2. Separate door assembly (B) from body assembly (C).
3. Using flat-tip screwdriver, remove electrical lead (E) from rotary switch (F).
4. Using pliers, remove eight rings (D) from captive screws (A). Remove captive screws (A).

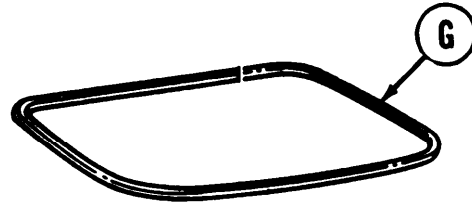


Go on to Sheet 2

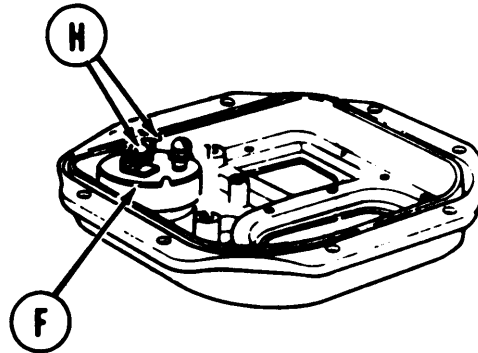
TA168844

DOMELIGHT ASSEMBLY REPAIR (Sheet 2 of 8)

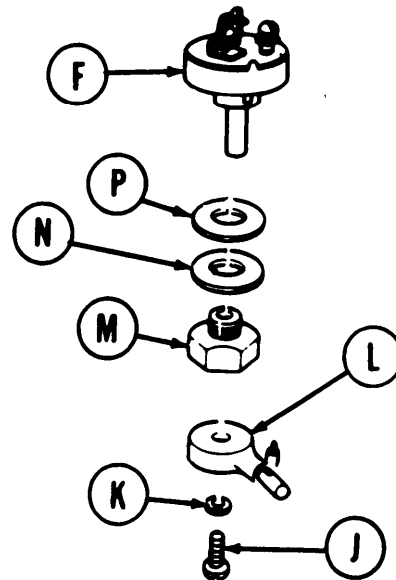
5. Using flat-tip screwdriver, remove door gasket (G) by inserting under gasket and lifting up.



6. Using flat-tip screwdriver, remove two remaining electrical leads (H) from switch (F).



7. Using flat-tip screwdriver, remove screw (J) and lockwasher (K) securing knob (L). Remove knob (L).



8. Using wrench remove nut assembly (M), washer (N), and gasket (P).

9. Remove rotary switch (F).

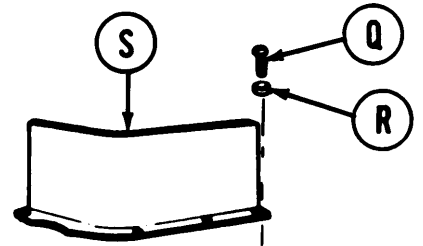
Go on to Sheet 3

TA168845

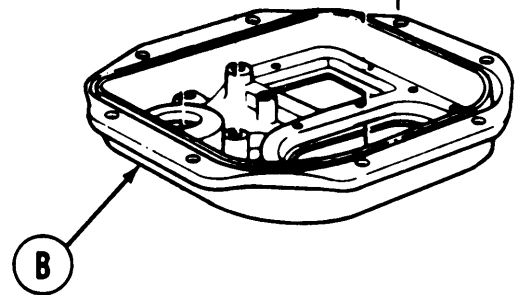


**DOMELIGHT ASSEMBLY REPAIR (Sheet 3 of 8)**

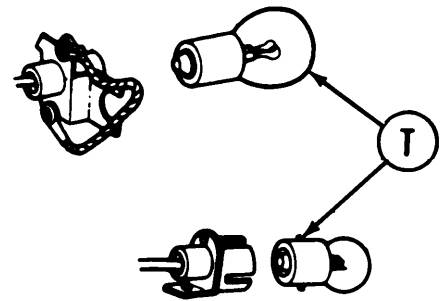
10. Using cross-tip screwdriver, remove four screws (Q) and lockwashers (R) from partition (S).



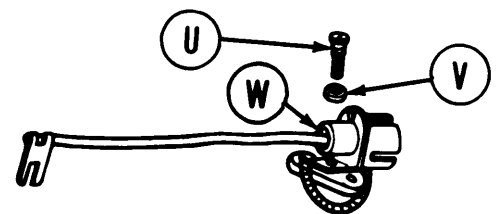
11. Remove partition (S) from door assembly (B).



12. Remove two lamps (T), by pushing in and turning counterclockwise.

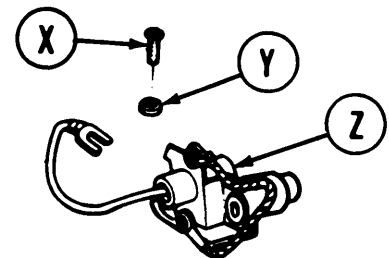


13. Using flat-tip screwdriver, remove two screws (U) and flat washers (V) holding red socket assembly (W) in place.



14. Remove red socket assembly (W).

15. Using cross-tip screwdriver, remove two screws (X), and flat washers (Y), holding the white socket assembly (Z) in place.



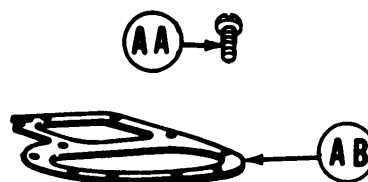
16. Remove white socket assembly (Z).

Go on to Sheet 4

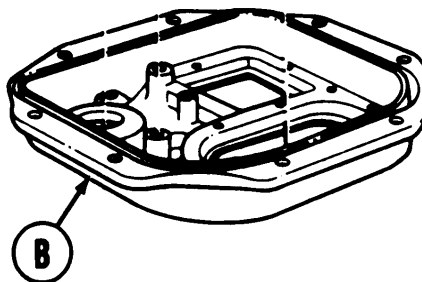
TA168846

DOMELIGHT ASSEMBLY REPAIR (Sheet 4 of 8)

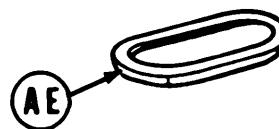
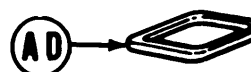
17. Using cross-tip screwdriver, remove seven screws (AA) from retaining plate (AB).



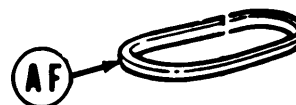
18. Remove retaining plate (AB).



19. Remove red lens (AC), and gasket (AD) by pushing up from outside of door assembly (B).



20. Remove white lens (AE) and gasket (AF) in same manner as red lens.



Go on to Sheet 5

TA168847

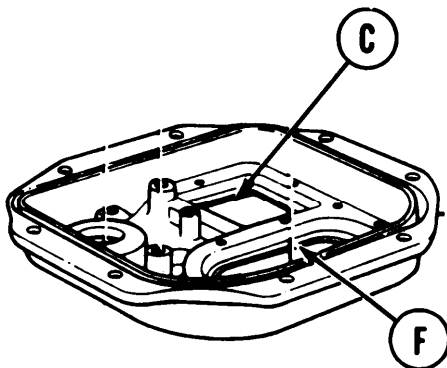
**DOMELIGHT ASSEMBLY REPAIR (Sheet 5 of 8)**

**CLEANING AND INSPECTION:**

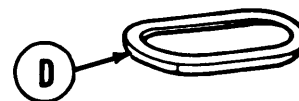
1. Inspect domelight and components for cleanliness and corrosion. Replace any components that cannot be cleaned.
2. Inspect for mechanical damage and wear. If worn or damaged, replace.
3. Inspect domelight components for cracks. If any items are cracked, replace them.
4. Inspect all gaskets for damage. If damaged, replace.

**ASSEMBLY:**

1. Place red lens (A) and gasket (B) in position (C) on door assembly.



2. Place white lens (D) and gasket (E) in position (F) on door assembly.



Go on to Sheet 6

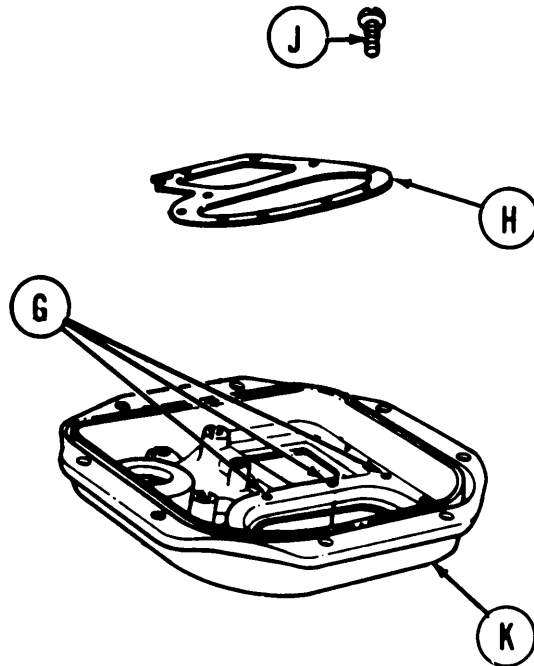
TA168848

DOMELIGHT ASSEMBLY REPAIR (Sheet 6 of 8)

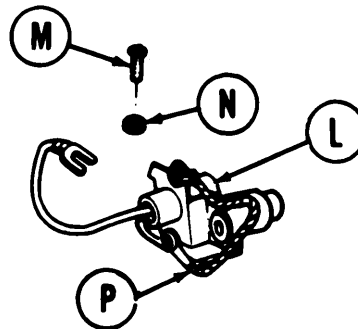
NOTE

Do not place screws in three holes (G) shown.

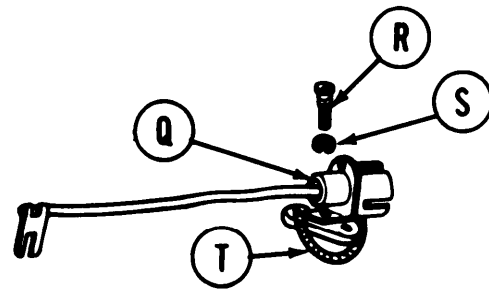
- Using cross-tip screwdriver, install retaining plate (H) and seven screws (J) to door assembly (K).



- Using cross-tip screwdriver, install white socket assembly (L), two screws (M), lockwashers (N), and ground strap (P).



- Using flat-tip screwdriver, install red socket assembly (Q), two screws (R), lockwashers (S), and ground cable (T).

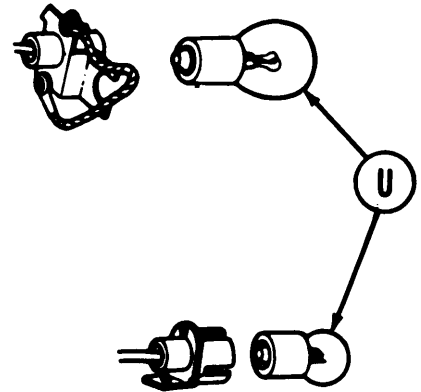


Go on to Sheet 7

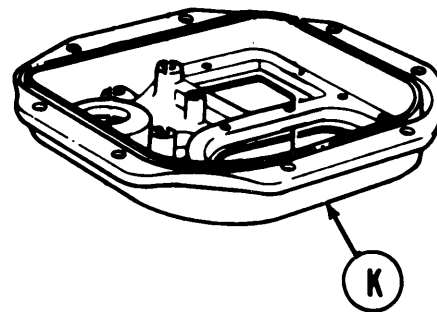
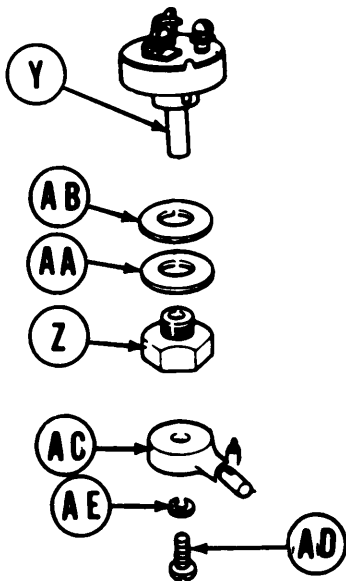
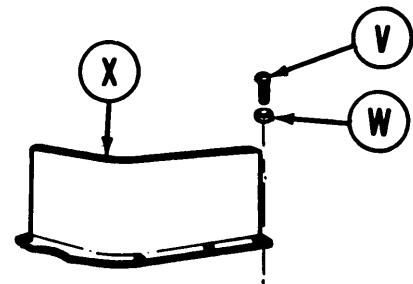
TA168849

DOMELIGHT ASSEMBLY REPAIR (Sheet 7 of 8)

- Install two lamps (U), in position. Large lamp to white, small lamp to red.



- Using cross-tip screwdriver, install four screws (V) and lockwashers (W) to secure partition (X) to door assembly (K).



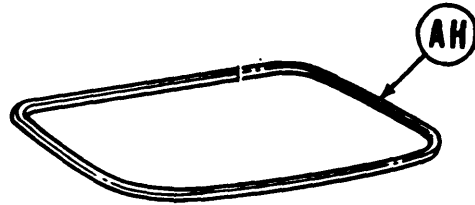
- Place rotary switch (Y) in position on door assembly.
- Using wrench, install nut (Z), washer (AA), and gasket (AB).
- Using flat-tip screwdriver, install knob (AC), screw (AD), and lockwasher (AE).

Go on to Sheet 8

TA168850

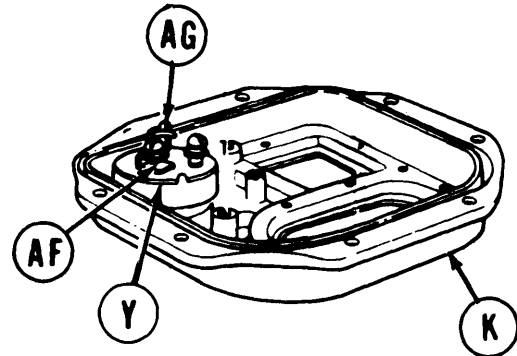
DOMELIGHT ASSEMBLY REPAIR (Sheet 8 of 8)

- 11. Using flat-tip screwdriver, install lead from white socket assembly to connector (AF) which is marked "W" on switch (Y).



- 12. Using flat-tip screwdriver, install lead from red socket assembly to connector (AG) which is marked "R" on switch (Y).

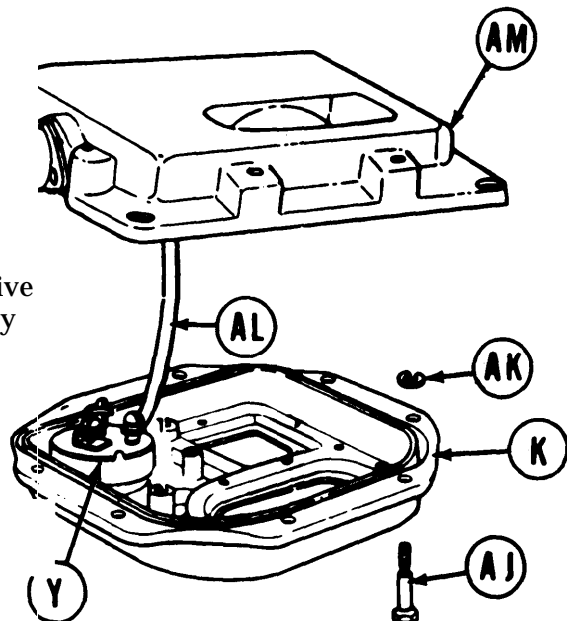
- 13. Using fingers, install door gasket (AH) in gasket groove of door assembly (K).



- 14. Using fingers, install eight captive screws (AJ).

- 15. Using pliers, install eight rings (AK) on captive screws (AJ).

- 16. Using flat-tip screwdriver, install lead (AL) on remaining connector of switch (Y).



- 17. Using flat-tip screwdriver, tighten eight captive screws (AJ) securing door assembly (K) to body assembly (AM).

- 18. Install domelight (page 10-192).

End of Task

**DOMELIGHT RESISTOR ASSEMBLY REPLACEMENT (Sheet 1 of 2)**

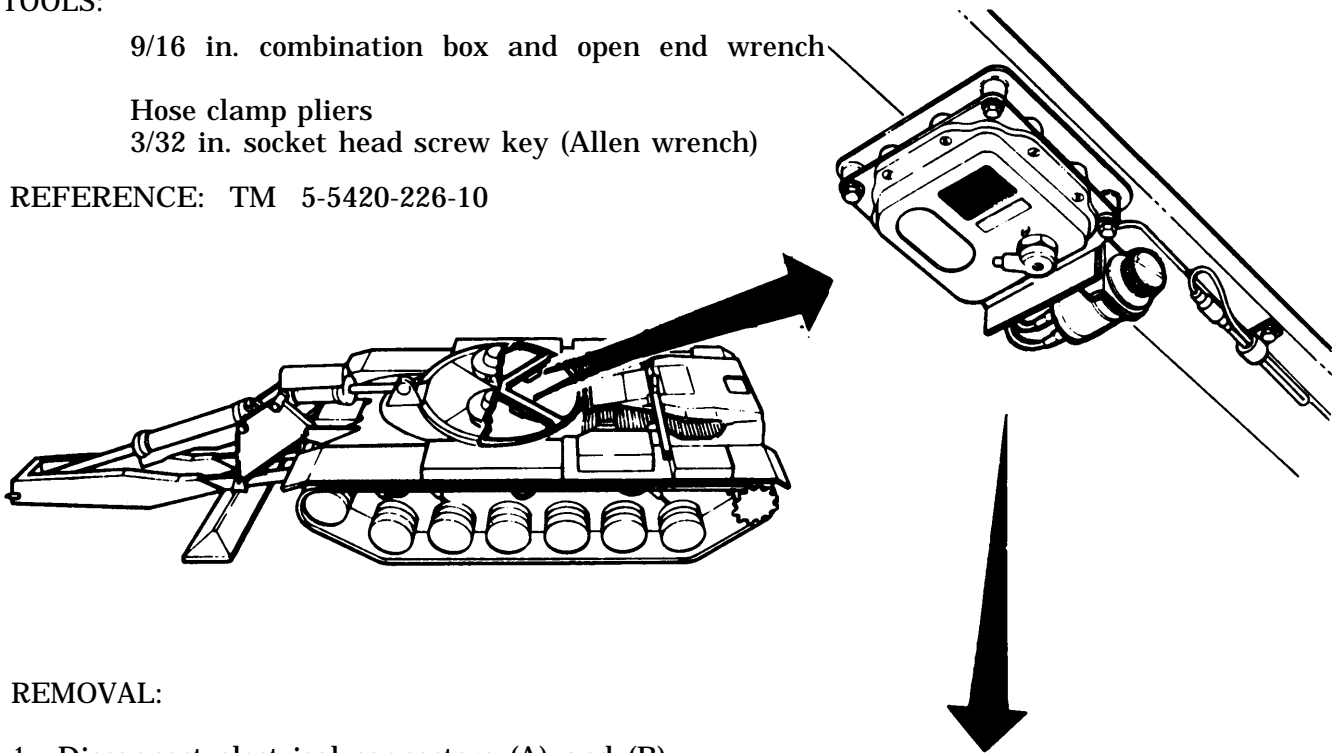
**TOOLS:**

9/16 in. combination box and open end wrench

Hose clamp pliers

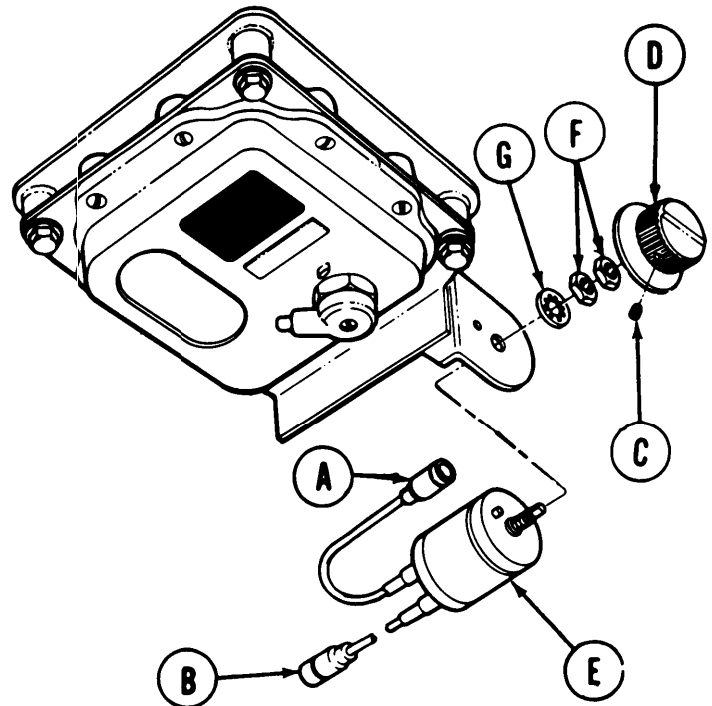
3/32 in. socket head screw key (Allen wrench)

REFERENCE: TM 5-5420-226-10



**REMOVAL:**

1. Disconnect electrical connectors (A) and (B).
2. Using Allen wrench, loosen two setscrews (C).
3. Slide knob (D) off shaft of resistor assembly
4. Using wrench on two nuts (F) and pliers on resistor assembly (E), remove nuts (F) and lockwasher (G).
5. Remove resistor assembly (E).



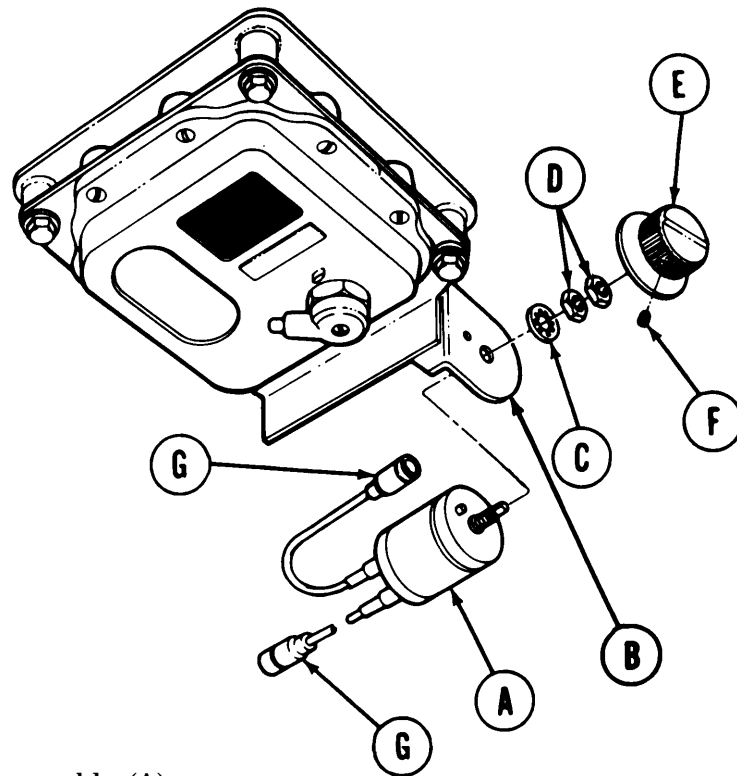
Go on to Sheet 2

TA168852

**DOMELIGHT RESISTOR ASSEMBLY REPLACEMENT (Sheet 2 of 2)**

INSTALLATION:

1. Position resistor assembly (A) in domelight resistor assembly bracket (B).
2. Place lockwasher (C) and two nuts (D) on resistor assembly (A).
3. Using wrench on nuts (D) and pliers on resistor assembly (A), tighten nut (D).



4. Slide knob (E) on resistor assembly (A).
5. Using Allen wrench, tighten two setscrews (F).
6. Connect electrical connectors (G).
7. Check operation of domelight resistor assembly (TM 5-5420-226-10).

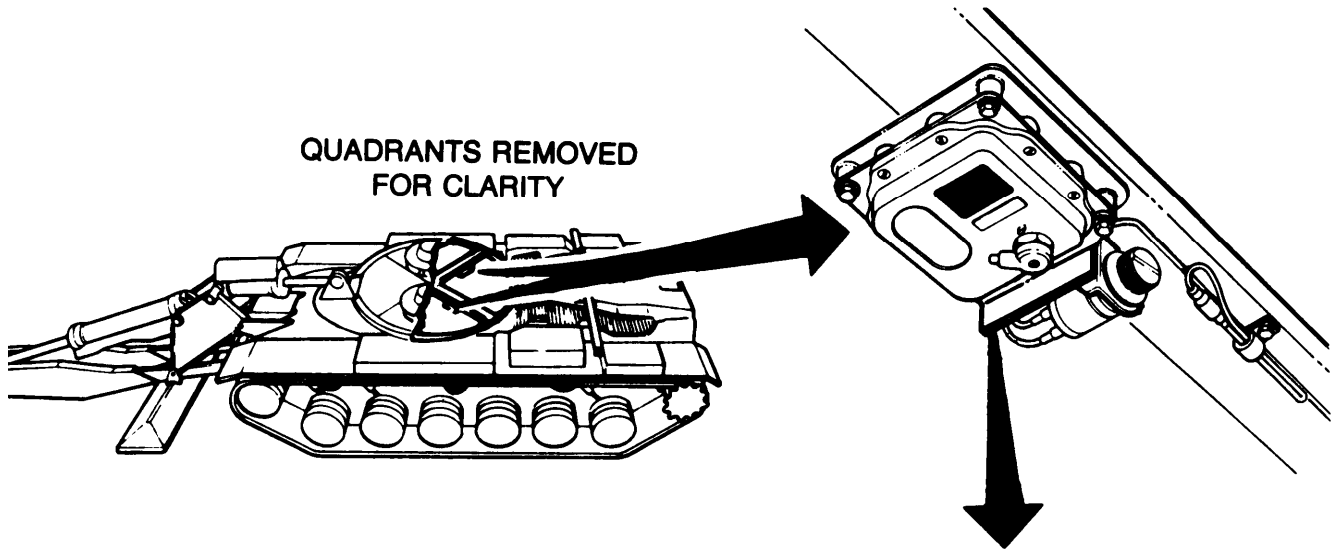
End of Task



**DOMELIGHT RESISTOR ASSEMBLY BRACKET REPLACEMENT (Sheet 1 of 1)**

**TOOLS:** 7/16 in. socket with 1/2 in. drive  
 5 in. extension with 1/2 in. drive  
 Ratchet with 1/2 in. drive

**PRELIMINARY PROCEDURES:** Remove resistor assembly (page 10-201)

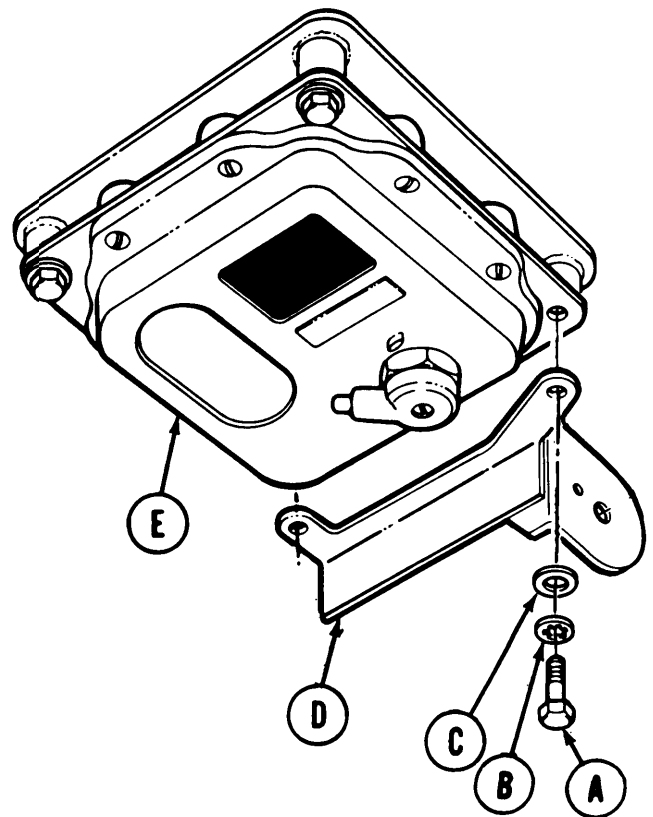


**REMOVAL:**

1. Using socket and extension, remove two screws (A), lockwashers (B), and washers (C).
2. Remove bracket (D).

**INSTALLATION:**

1. Position bracket holes with holes in domelight assembly (E).
2. Place lockwashers (B) and washers (C) on two screws (A).
3. Insert through holes in positioned parts of step 1.
4. Using socket and extension, tighten screws (A)
5. Install resistor assembly (page 10-202).



End of Task

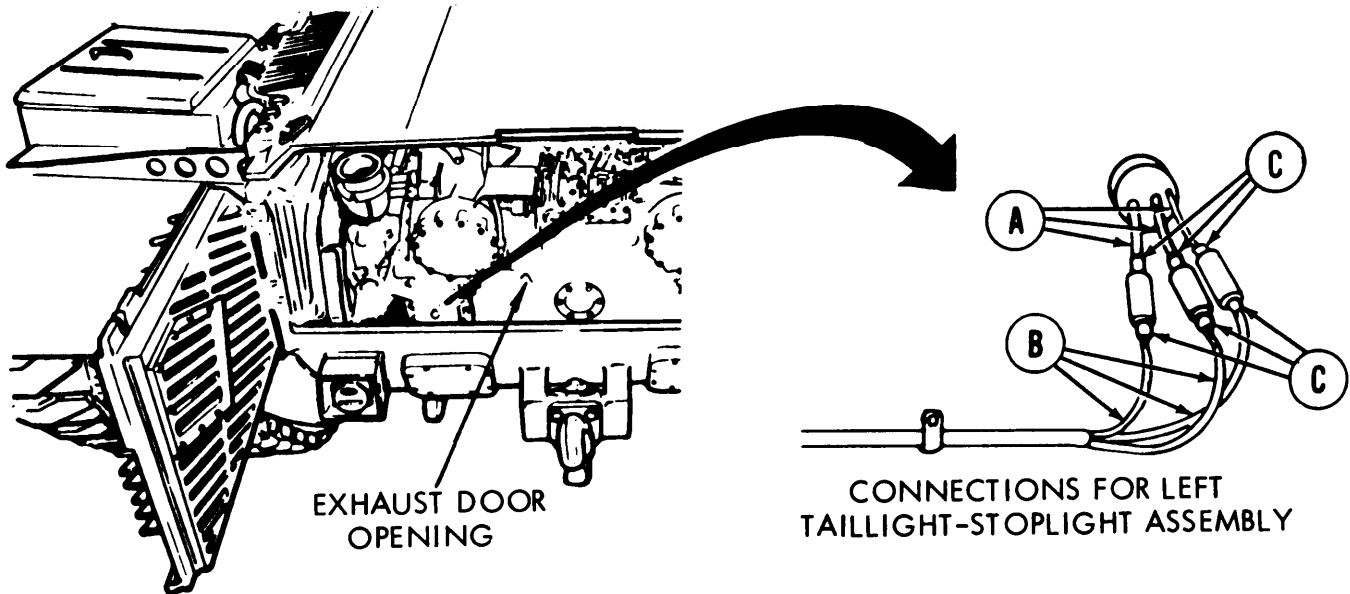
TA168854

**LEFT TAILLIGHT - STOPLIGHT ASSEMBLY REPLACEMENT (Sheet 1 of 3)**

TOOLS: 9/16 in. combination box and open end wrench

SUPPLIES: Silicone compound (Item 32, Appendix D)  
1/2 in. masking tape (Item 58, Appendix D)

PRELIMINARY PROCEDURES: Remove transmission shroud (page 9-2)



REMOVAL:

**NOTE**

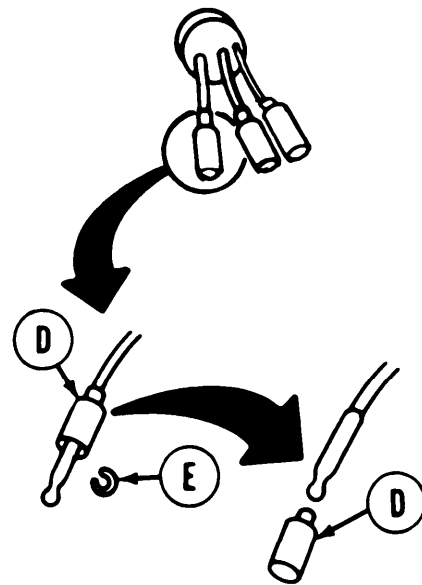
Inspect leads (A) and leads (B) for numbered tags (C). If leads do not have tags, use masking tape and pencil to number leads 21, 22, and 24.

1. Reach through exhaust door opening and disconnect three leads (A) from hull connectors (B).
2. Slide three connector shells (D) back on taillight leads to expose three slotted washers (E).

**NOTE**

Lubricant may be needed on leads (A) to remove shells (D).

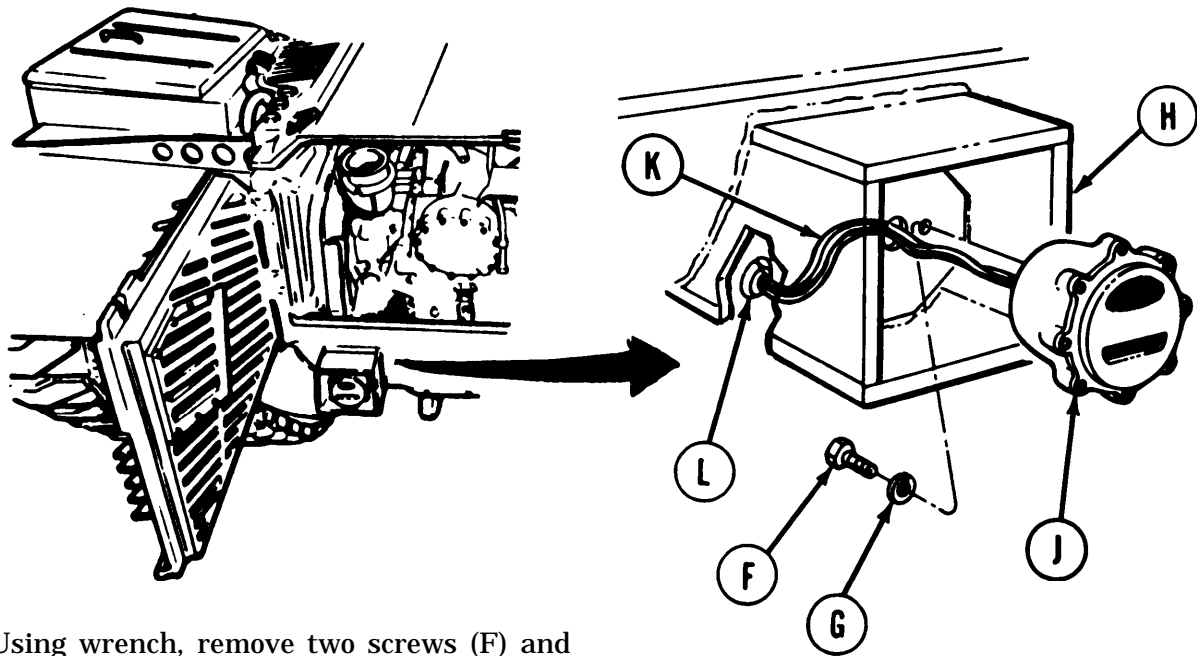
3. Remove three slotted washers (E) and three shells (D).



Go on to Sheet 2

TA168855

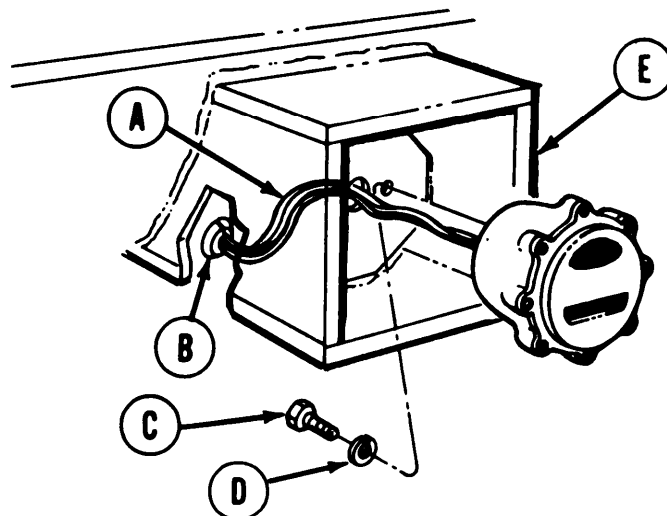
**LEFT TAILLIGHT - STOPLIGHT ASSEMBLY REPLACEMENT (Sheet 2 of 3)**



4. Using wrench, remove two screws (F) and two lockwashers (G) from mounting bracket (H).
5. Remove taillight (J), pulling three taillight leads (K) through rubber grommet (L).

**INSTALLATION:**

1. Using silicone compound on taillight leads (A), insert three leads through rubber grommet (B).
2. Using wrench install two screws (C) and two lockwashers (D) on mounting bracket (E).

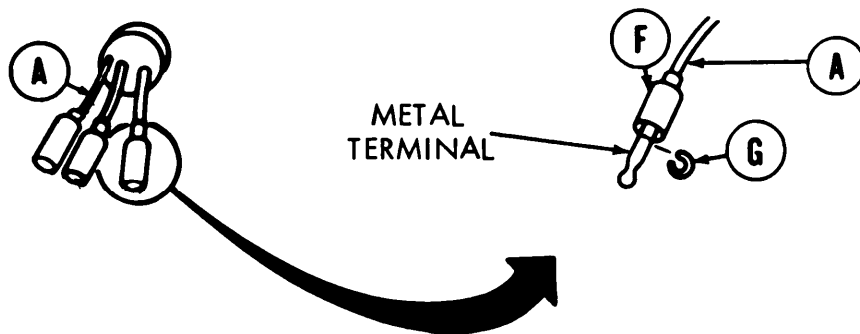


Go on to Sheet 3

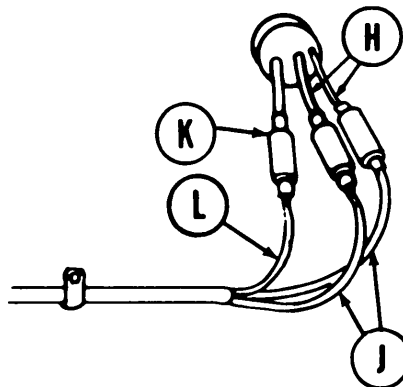
TA168856

LEFT TAILLIGHT - STOPLIGHT ASSEMBLY REPLACEMENT (Sheet 3 of 3)

- 3. Slide three shells (F) on taillight leads (A).
- 4. Install three slotted washers (G) on leads (A) behind metal terminal.



- 5. Connect two tagged or taped taillight leads (H) to hull connectors number 22 and 24 (J).
- 6. Connect remaining lead (K) to hull connector number 21 (L).
- 7. Install transmission shroud (page 9-6).
- 8. Check for proper taillight operation (TM 5-5420-226-10).



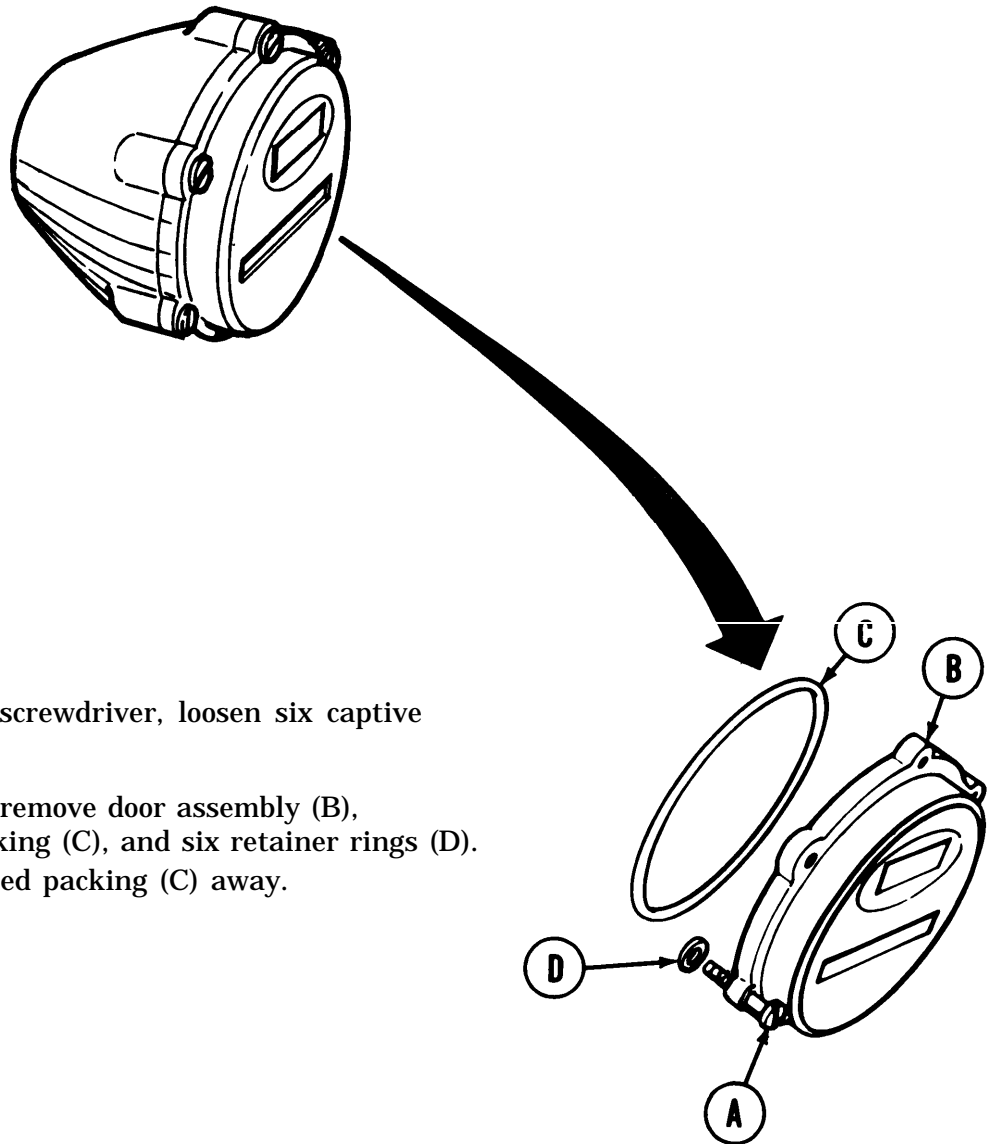
End of Task

**LEFT TAILLIGHT - STOPLIGHT ASSEMBLY REPAIR (Sheet 1 of 3)**

**TOOLS:** Flat-tip screwdriver  
Cross-tip screwdriver (Phillips)

**SUPPLIES:** Preformed packing (7320658)  
Crocus cloth (Item 14, Appendix D)  
Silicone compound (Item 32, Appendix D)

**PRELIMINARY PROCEDURES:** Remove taillight from vehicle for complete repair (page 10-204). Lamp replacement (steps 1 through 4) can be done with taillight on vehicle.

**DISASSEMBLY:**

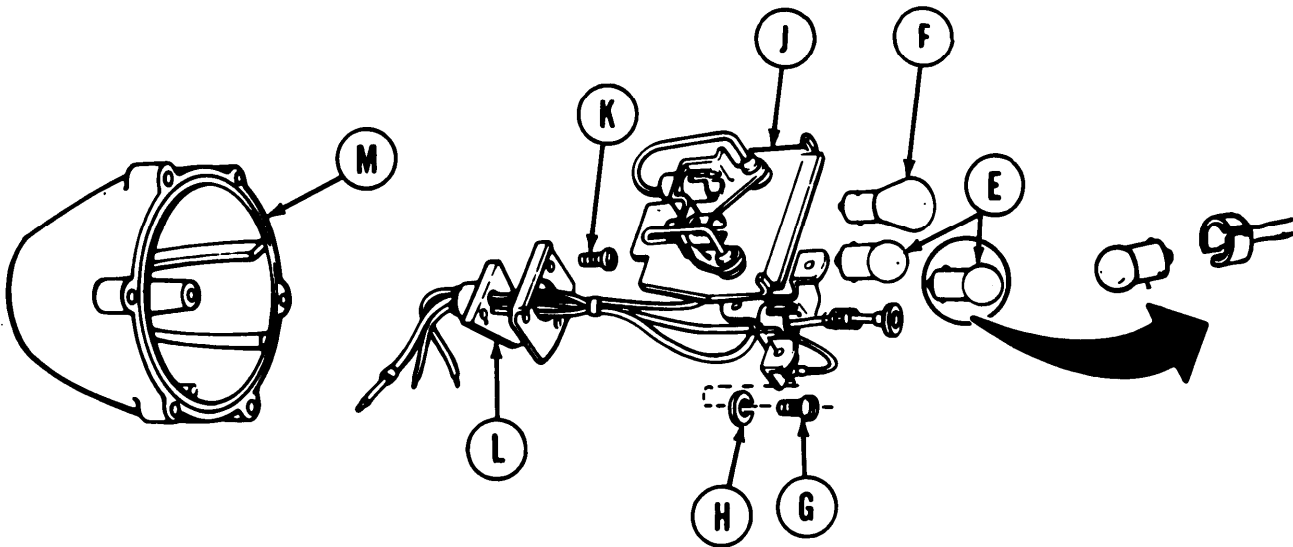
1. Using flat-tip screwdriver, loosen six captive screws (A).
2. Using fingers, remove door assembly (B), preformed packing (C), and six retainer rings (D). Throw preformed packing (C) away.

Go on to Sheet 2

TA168858

LEFT TAILLIGHT - STOPLIGHT ASSEMBLY REPAIR (Sheet 2 of 3)

3. Remove two small stoplight and taillight lamps (E).
4. Remove large blackout drive lamp (F).
5. Using cross-tip screwdriver, remove two screws (G) and lockwashers (H) from socket and wiring assembly (J).



6. Using cross-tip screwdriver, remove three screws (K) from grommet (L).
7. Remove socket and wiring assembly (J) with fingers by pressing out grommet (L) from body assembly (M).

CLEANING AND INSPECTION:

1. Inspect taillight and components for cracks. Replace any cracked items.
2. Inspect for mechanical damage and wear. If damaged or worn, replace.
3. Inspect taillight assembly for corrosion. Corroded areas which cannot be cleaned with crocus cloth or steel wool is cause for replacement of that item.

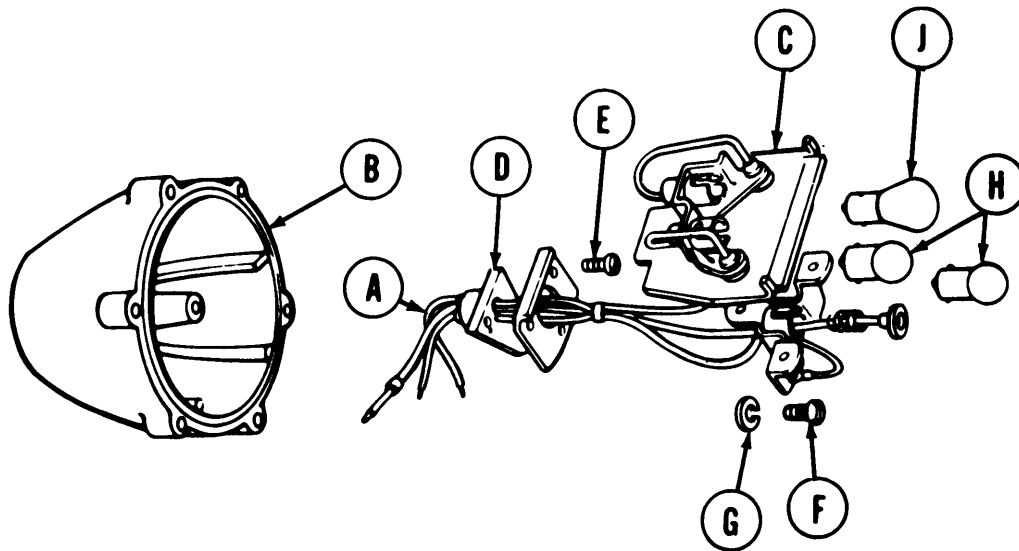
Go on to Sheet 3

TA168859

**LEFT TAILLIGHT - STOPLIGHT ASSEMBLY REPAIR (Sheet 3 of 3)**

**ASSEMBLY:**

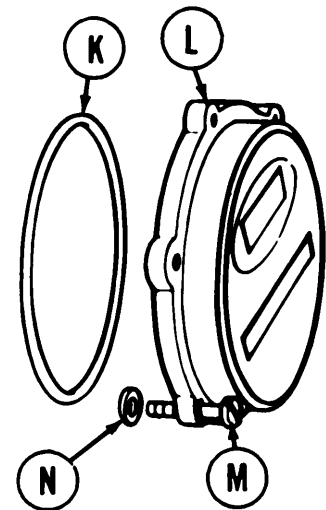
1. Insert three leads (A) through body assembly (B).
2. Install socket and wiring assembly (C) by pressing in grommet (D).
3. Using cross-tip screwdriver, install three screws (E).
4. Using cross-tip screwdriver, install two screws (F) and lockwashers (G).



5. Install three lamps (H) and (J).
6. Coat preformed packing gasket (K) with silicone compound before installation.
7. Place new preformed packing (K) on door assembly (L).

**NOTE**

**Wires are located at the bottom of housing (B) for positioning of door assembly (L).**



8. Using flat-tip screwdriver, install six screws (M), door assembly (L), and six retainer rings (N) on body assembly (B).
9. Install lamp assembly (page 10-205).
10. Check taillight for operation (TM 5-5420-226-10).

End of Task

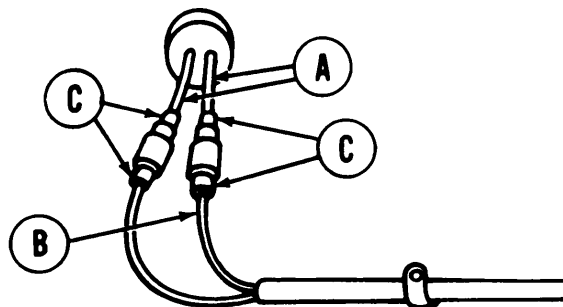
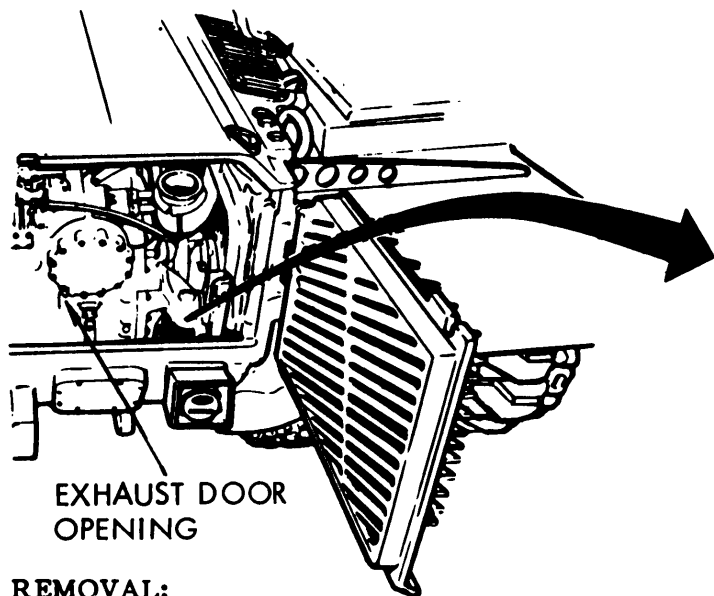
TA168860

**RIGHT TAILLIGHT - STOPLIGHT ASSEMBLY REPLACEMENT (Sheet 1 of 3)**

**TOOLS:** 9/16 in. combination box and open end wrench

**SUPPLIES:** Silicone compound (Item 32, Appendix D)  
1/2 in. masking tape (Item 58, Appendix D)  
Pencil

**PRELIMINARY PROCEDURES:** Remove transmission shroud (page 9-2)



**CONNECTIONS FOR RIGHT  
TAILLIGHT-STOPLIGHT ASSEMBLY**

**REMOVAL:**

**NOTE**

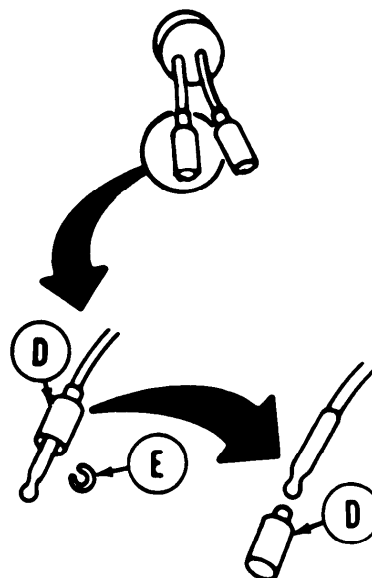
**Inspect leads (A) and leads (B) for numbered tags (C) 23 and 24. If leads do not have tags, use masking tape and pencil to number leads.**

1. Reach through exhaust door opening and disconnect two leads (A) from hull connectors (B).
2. Slide two connector shells (D) back on taillight leads to expose two slotted washers (E).

**NOTE**

**Lubricant be needed on leads (A) to remove shells (D).**

3. Remove two slotted washers (E) and two shells (D).

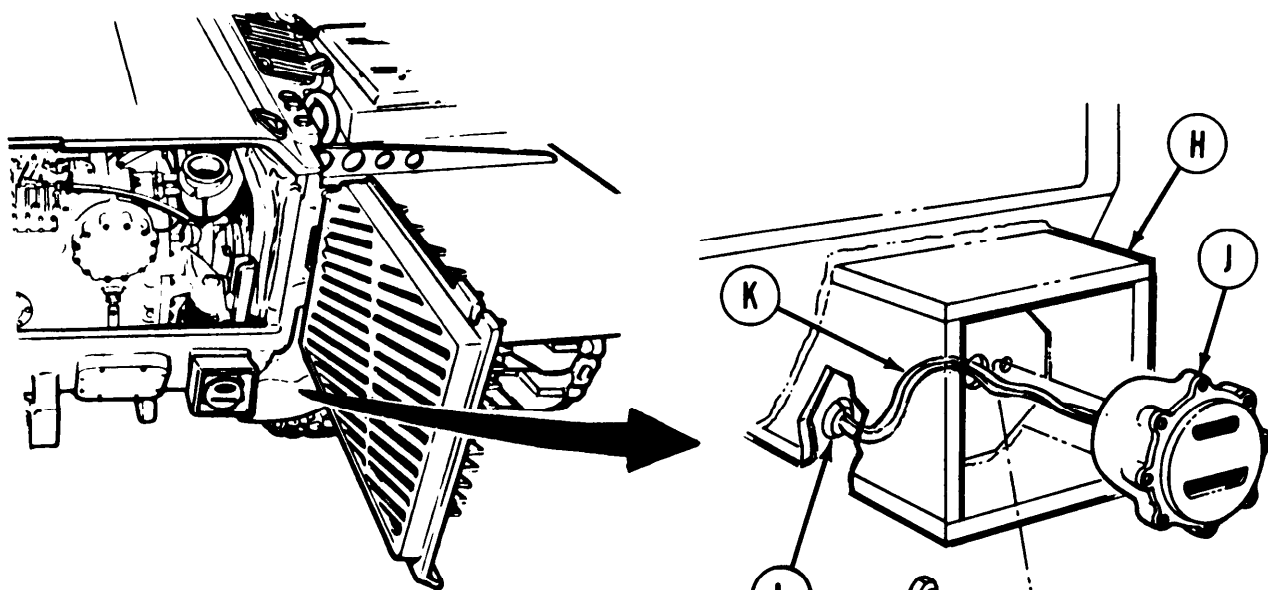


Go on to Sheet 2

TA168861



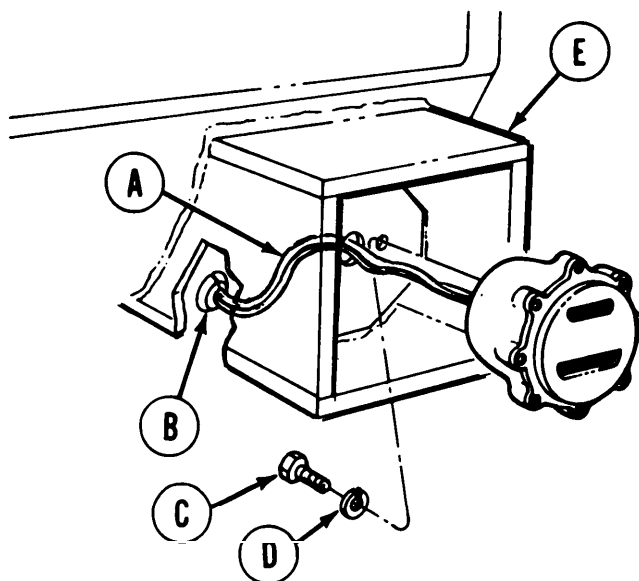
**RIGHT TAILLIGHT - STOPLIGHT ASSEMBLY REPLACEMENT (Sheet 2 of 3)**



4. Using wrench, remove two screws (F) and two lockwashers (G) from mounting bracket (H).
5. Remove taillight (J), pulling two taillight leads (K) through rubber grommet (L).

**INSTALLATION:**

1. Using silicone compound on taillight leads (A), insert two leads through rubber grommet (B).
2. Using wrench, install two screws (C) and two lockwashers (D) on mounting bracket (E).

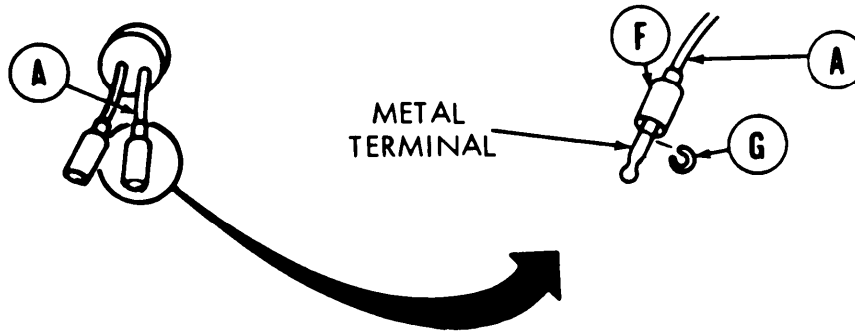


Go on to Sheet 3

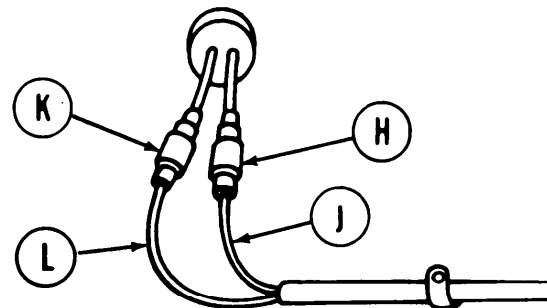
TA168862

RIGHT TAILLIGHT - STOPLIGHT ASSEMBLY REPLACEMENT (Sheet 3 of 3)

3. Slide two shells (F) on taillight leads (A).
4. Install two slotted washers (G) on leads (A) behind metal terminal.



5. Connect tagged or taped taillight lead (H) to hull connector number 24 (J).
6. Connect remaining lead (K) to hull connector number 23 (L).
7. Install transmission shroud (page 9-6).
8. Check for proper taillight operation (TM 5-5420-226-10).



End of Task

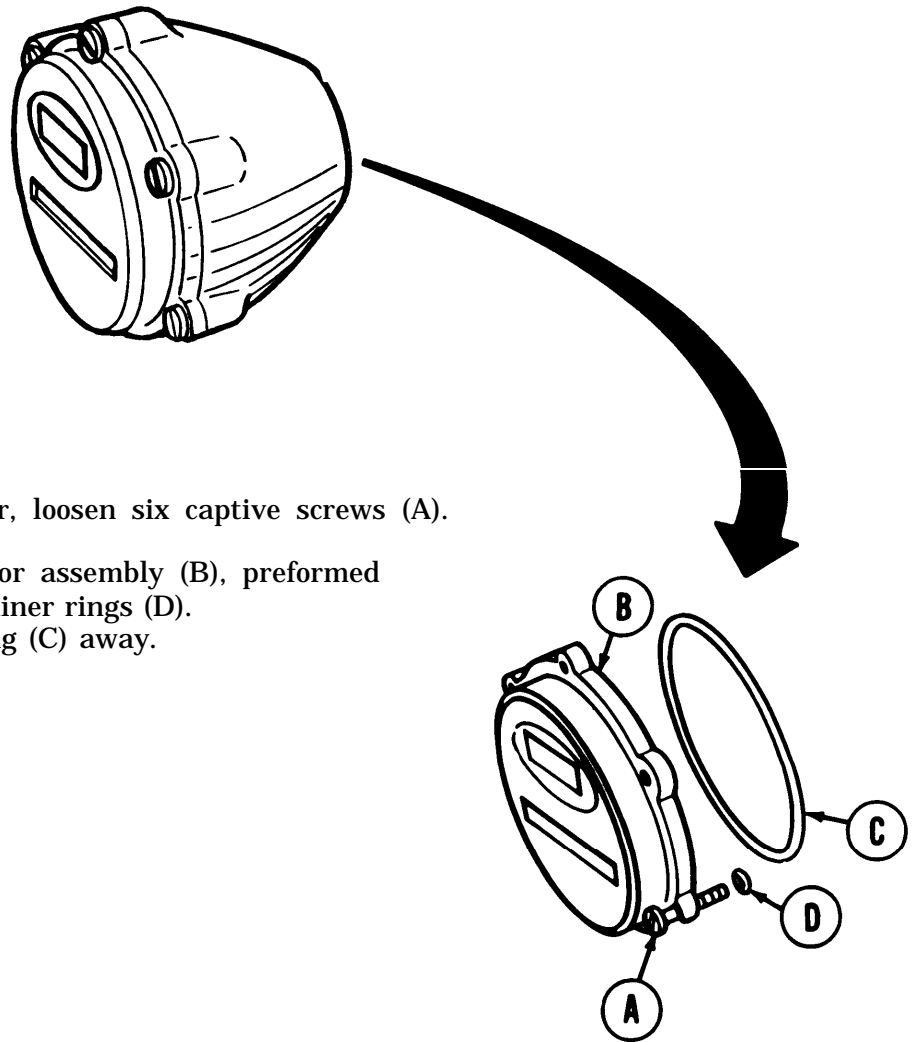
**RIGHT TAILLIGHT - STOPLIGHT ASSEMBLY REPAIR (Sheet 1 of 3)**

TOOLS: Flat-tip screwdriver  
Cross-tip screwdriver (Phillips)

SUPPLIES: Crocus cloth (Item 14, Appendix D)  
Silicone compound tem 32, Appendix D)  
Preformed packing (7320658)

REFERENCES: TM 5-5420-226-10

PRELIMINARY PROCEDURES: Lamp replacement (steps 1 through 4) can be accomplished with taillight on vehicle  
Remove taillight from vehicle for complete repair (page 10-210).

**DISASSEMBLY:**

1. Using flat-tip screwdriver, loosen six captive screws (A).
2. Using fingers, remove door assembly (B), preformed packing (C), and six retainer rings (D).  
Throw preformed packing (C) away.

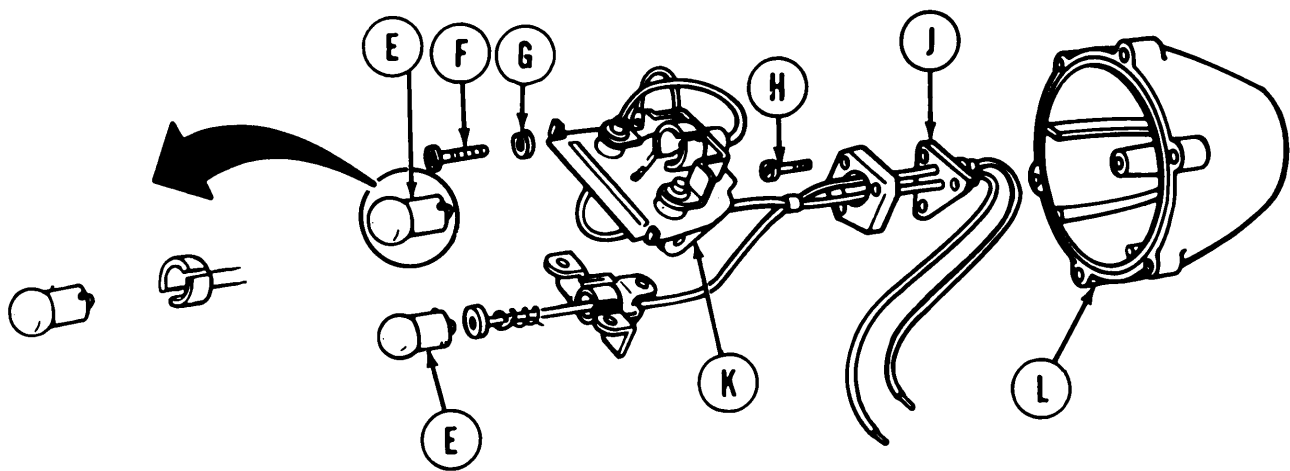
Go on to Sheet 2

TA168864

**RIGHT TAILLIGHT-STOPLIGHT ASSEMBLY REPAIR (Sheet 2 of 3)**

3. Remove two stoplight and taillight lamps (E).

4. Using cross-tip screwdriver, remove two screws (F) and two lockwashers (G).



5. Using cross-tip screwdriver, remove three screws (H) from grommet (J).

6. Remove socket and wiring assembly (K) with fingers by pressing out grommet (J) from body assembly (L).

**CLEANING AND INSPECTION:**

1. Inspect taillight assembly for corrosion. Corroded areas which cannot be cleaned with crocus cloth or steel wool are cause for replacement of that item.
2. spect taillight and components for cracks. If any items are cracked, replace.
3. Inspect for mechanical damage and wear. If damaged or worn, replace.

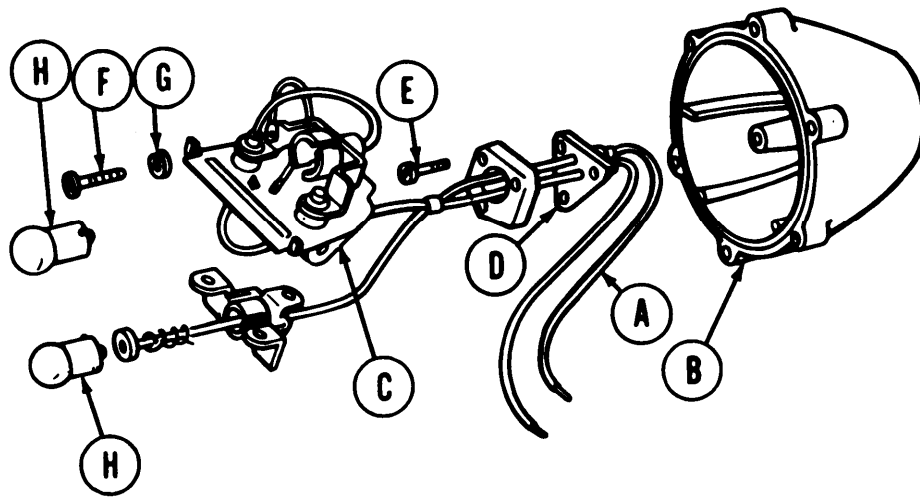
Go on to Sheet 3

TA168865

**RIGHT TAILLIGHT-STOPLIGHT ASSEMBLY REPAIR (Sheet 3 of 3)**

ASSEMBLY:

1. Insert two leads (A) through body assembly (B).
2. Install socket and wiring assembly (c) by pressing in grommet (D).
3. Using cross-tip screwdriver, install three screws (E).
4. Using cross-tip screwdriver, install two screws (F) and two lockwashers (G).

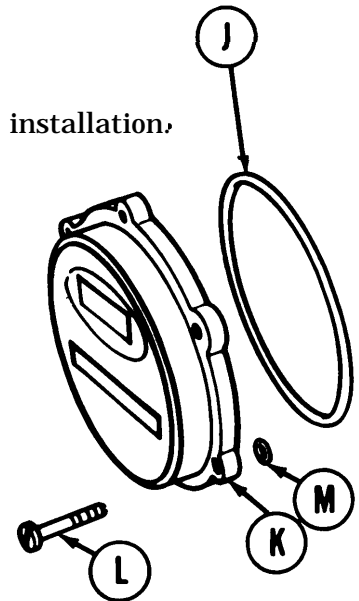


5. Install two lamps (H).
6. Coat preformed packing gasket (J) with silicone compound before installation.
7. Place preformed packing (J) in door assembly (K).

**NOTE**

**Wires are located at the bottom of body assembly (B) for positioning of door assembly (K) as shown.**

8. Using flat-tip screwdriver, install six screws (L), door assembly (K), and six retainer rings (M).
9. Install lamp assembly (page 10-211).
10. Check taillight for operation (TM 5-5420-226-10).



End of Task

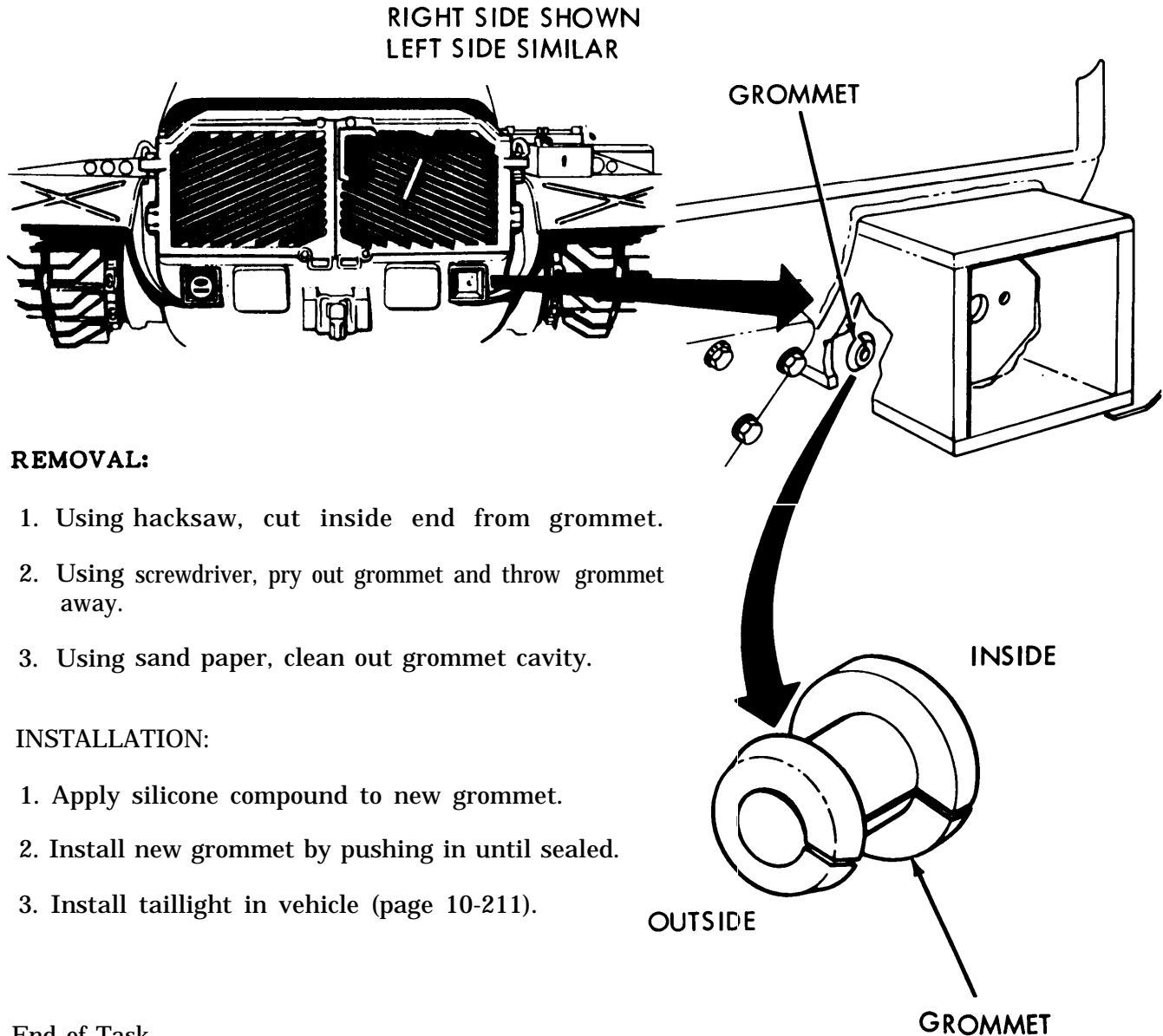
TA16866

**TAILLIGHT GROMMET REPLACEMENT (SHEET 1 OF 1)**

**TOOLS:** Flat-tip screwdriver  
Hacksaw

**SUPPLIES:** Silicone compound (Item 32, Appendix D)  
Sand paper (Item 52, Appendix D)  
Grommet (10905012)

**PRELIMINARY PROCEDURE:** Remove taillight from vehicle (page 10-210)



End of Task

**HEADLIGHT ADJUSTMENT (Sheet 1 of 2)**

TOOLS: 7/16 in. combination box and open end wrench  
 9/16 in. combination box and open end wrench  
 50 ft measuring tape

SUPPLIES: Chalk (Item 11, Appendix D)

REFERENCES: TM 5-5420-226-10

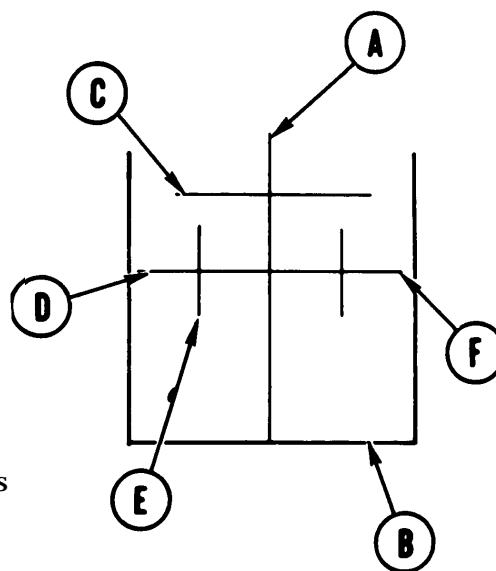
PRELIMINARY PROCEDURES: Park vehicle on flat ground 25 ft from flat vertical wall

**ADJUSTMENT:**

1. Using measuring tape, locate center of vehicle.
2. Using chalk, draw line (A) on ground and up vertical wall (B).
3. Using measuring tape, measure distance from ground to center of headlight.
4. Using chalk, draw line (C) on wall (B) of the distance found in step 3.

Using measuring tape, measure down 27-1/4 inches from line (C). Using chalk, draw line (D) on wall (B).

6. Using measuring tape, measure distance from center of vehicle to center of clear lens on left headlight.
7. Using chalk, draw line (E) that distance found in step 6 on wall (B).
8. Perform steps 6 and 7 for right side. Using chalk, draw line (F) on wall (B).

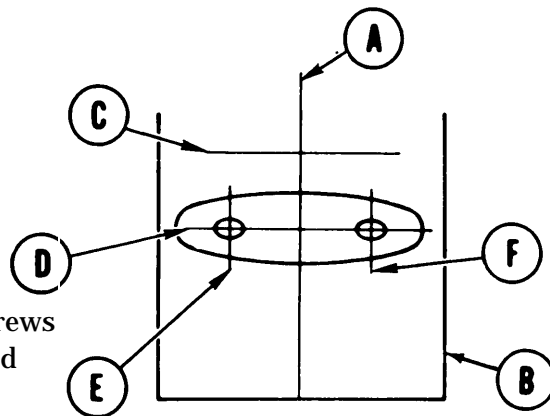


Go on to Sheet 2

TA168868

HEADLIGHT ADJUSTMENT (Sheet 2 of 2)

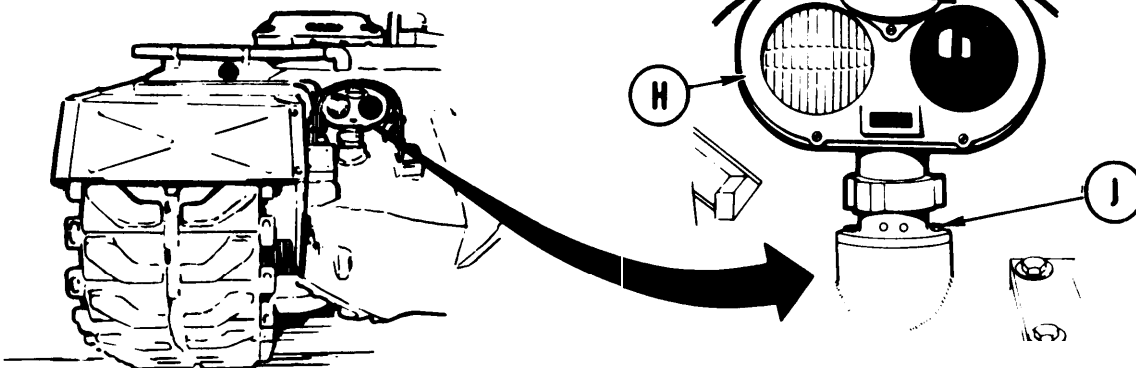
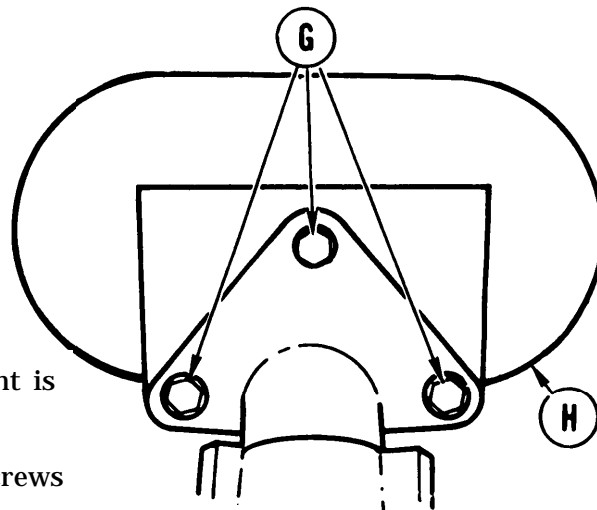
9. Turn on service drive headlights, low beam (TM 5-2540-226-10).
10. Center of maxium light intensity should be centered on line (D).
11. If not, using 9/16 inch wrench, loosen three screws (G) and adjust by tilting headlight (H) to desired angle.



NOTE

**Adjust both left and right in same manner.**

12. Using 9/16 inch wrench, tighten three screws (G).
13. Check to see if light intensity for left headlight is centered on intersection of lines (D and E).
14. If not, using 7/16 inch wrench, loosen three screws (J) at base of headlight.
15. Turn headlight (H) until in proper position.
16. Using 7/16 inch wrench, tighten three screws (J) when adjusted.
17. Repeat steps 13 through 16 for right headlight using lines (D and F).
18. Turn off lights (TM 5-2540-226-10).



End of Task

TA168869



**ENGINE OIL HIGH TEMPERATURE THERMOSTATIC SWITCH REPLACEMENT (Sheet 1 of 2)**

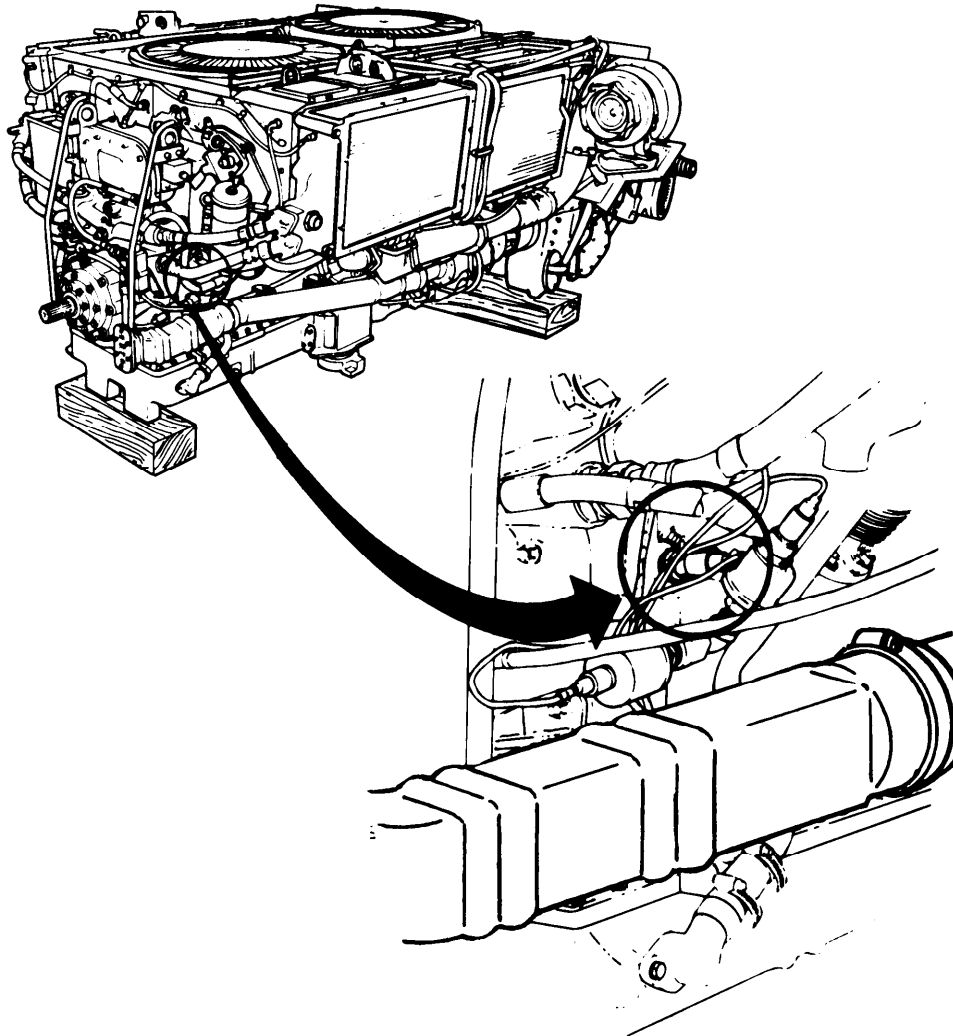
**TOOLS:** 15/16 in. deep well socket with 1/2 in. drive  
Ratchet with 1/2 in. drive

**SPECIAL TOOLS:** Ground hop kit (Item 30, Chapter 3, Section I)

**SUPPLIES:** Rags (Item 65, Appendix D)  
Sealing compound (Item 20, Appendix D)

**REFERENCE** TM 5-5420-226-10

**PRELIMINARY PROCEDURES:** Remove powerplant (page 5-2)



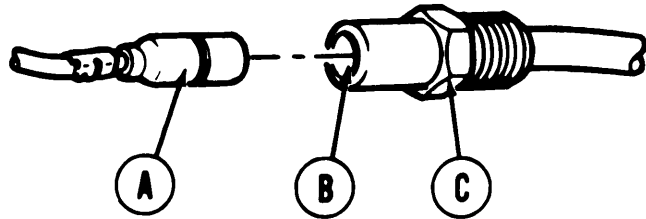
Go on to Sheet 2

TA168870

ENGINE OIL HIGH TEMPERATURE THERMOSTATIC SWITCH REPLACEMENT (Sheet 2 of 2)

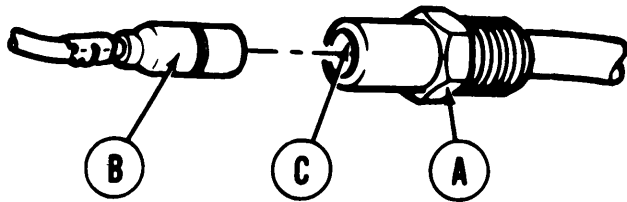
REMOVAL:

1. Place rags under switch.
2. Pull socket of rubber insulated connector (A) from switch cap (B).
3. Using socket, remove switch (C) from engine.



INSTALLATION:

1. Using sealing compound, lightly coat threads of new switch.



2. Using socket, install new switch (A) into engine.
3. Push socket of rubber insulated connector (B) into switch cap (C).
4. Remove rags from under switch.

5. Connect engine for powerplant ground hop (page 5-26).
6. Start and run engine. Observe temperature indicator for normal oil temperature (TM 5-5420-226-10).
7. Shut down engine. Disconnect engine from powerplant ground hop (page 5-40).
8. Install powerplant (page 5-14).

ENGINE HIGH OIL PRESSURE TRANSMITTER REPLACEMENT (Sheet 1 of 3)

PROCEDURE INDEX

PROCEDURE	PAGE
Removal	10-222
Inspection	10-222
Installation	10-223

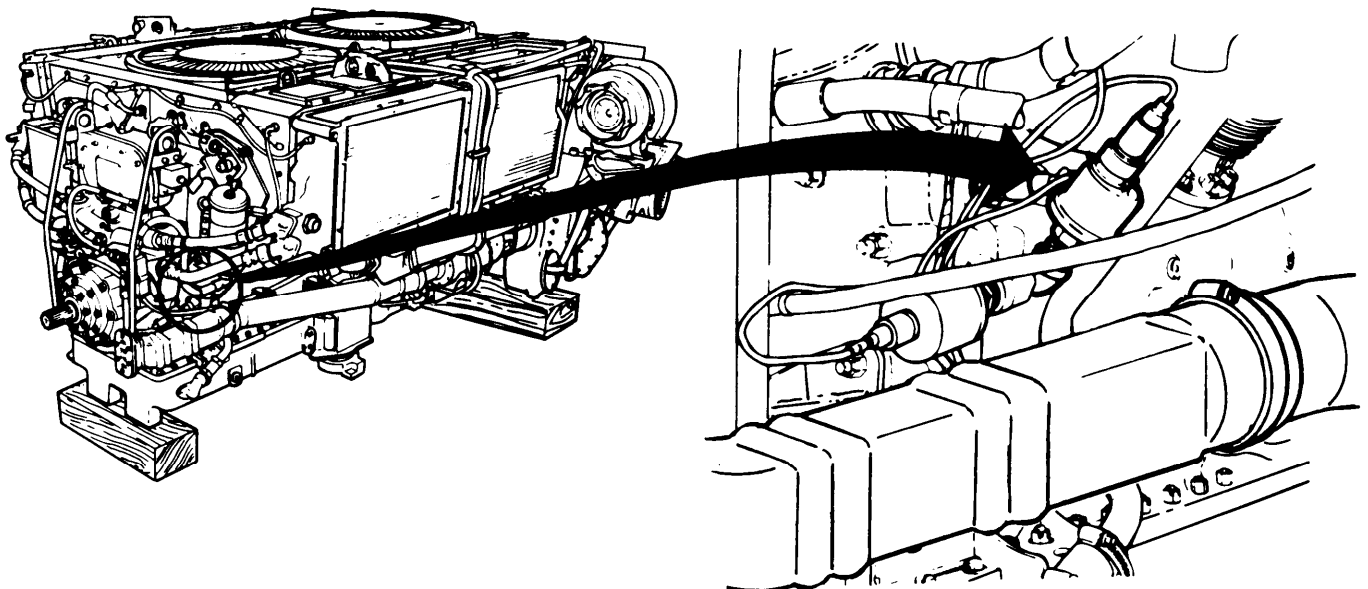
TOOLS: 7/8 in. combination box and open end wrench  
 3/4 in. combination box and open end wrench  
 10 in. pipe wrench

SPECIAL TOOLS: Ground hop kit (Item 30, Chapter 3, Section I)

SUPPLIES: Rags (Item 65, Appendix D)  
 Sealing compound (Item 20, Appendix D)

REFERENCE: TM 5-5420-226-10

PRELIMINARY PROCEDURE: Remove powerplant (page 5-2)



Go on Sheet 2

TA168872

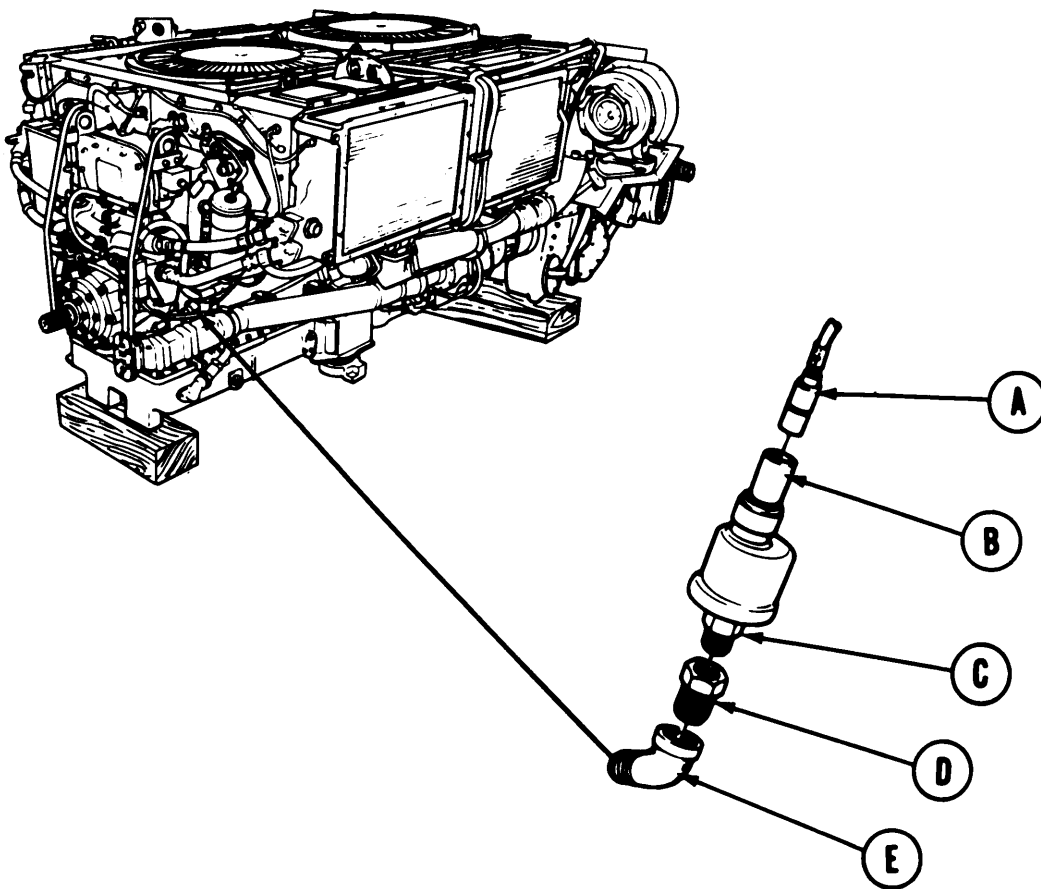
ENGINE HIGH OIL PRESSURE TRANSMITTER REPLACEMENT (Sheet 2 of 3)

REMOVAL:

1. Place rags under engine high oil pressure transmitter.
2. Pull socket of rubber insulated connector (A) from transmitter cap (B).
3. Using 7/8 inch wrench, remove transmitter (C) from pipe bushing (D).
4. Using 3/4 inch wrench, remove pipe bushing (D) from elbow (E).
5. Using pipe wrench, remove elbow (E) from engine.

INSPECTION:

Check pipe bushing (D) and elbow (E) for cracks and crossed threads. Replace as required.



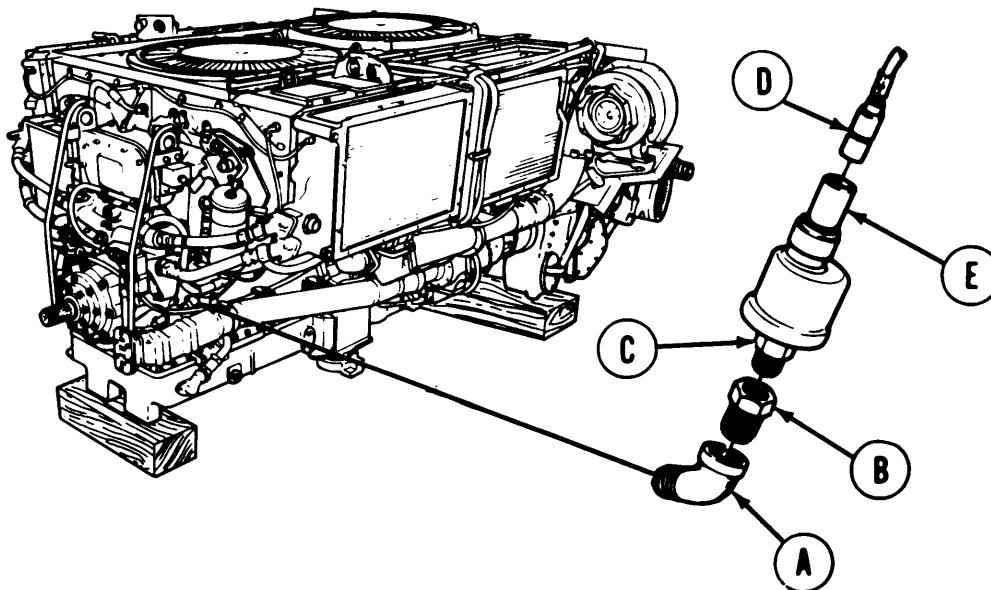
## ENGINE HIGH OIL PRESSURE TRANSMITTER REPLACEMENT (Sheet 3 of 3)

## INSTALLATION:

## NOTE

**Prior to installation, lightly coat male threads of all components with sealing compound.**

1. Using pipe wrench, install elbow (A) to engine.
2. Using 3/4 inch wrench, install pipe bushing (B) to elbow (A).
3. Using 7/8 inch wrench, install new transmitter (C) to pipe bushing (B).
4. Push socket of rubber insulated connector (D) into transmitter cap (E).
5. Remove rags from under engine high oil pressure transmitter.
6. Connect engine for powerplant ground hop (page 5-26).



7. Start and run engine. Observe oil pressure indicator for normal oil pressure (TM 5-5420-226-10).
8. Shut down engine. Disconnect engine from powerplant ground hop (page 5-40).
9. Install powerplant (page 5-14).

End of Task

TA168874

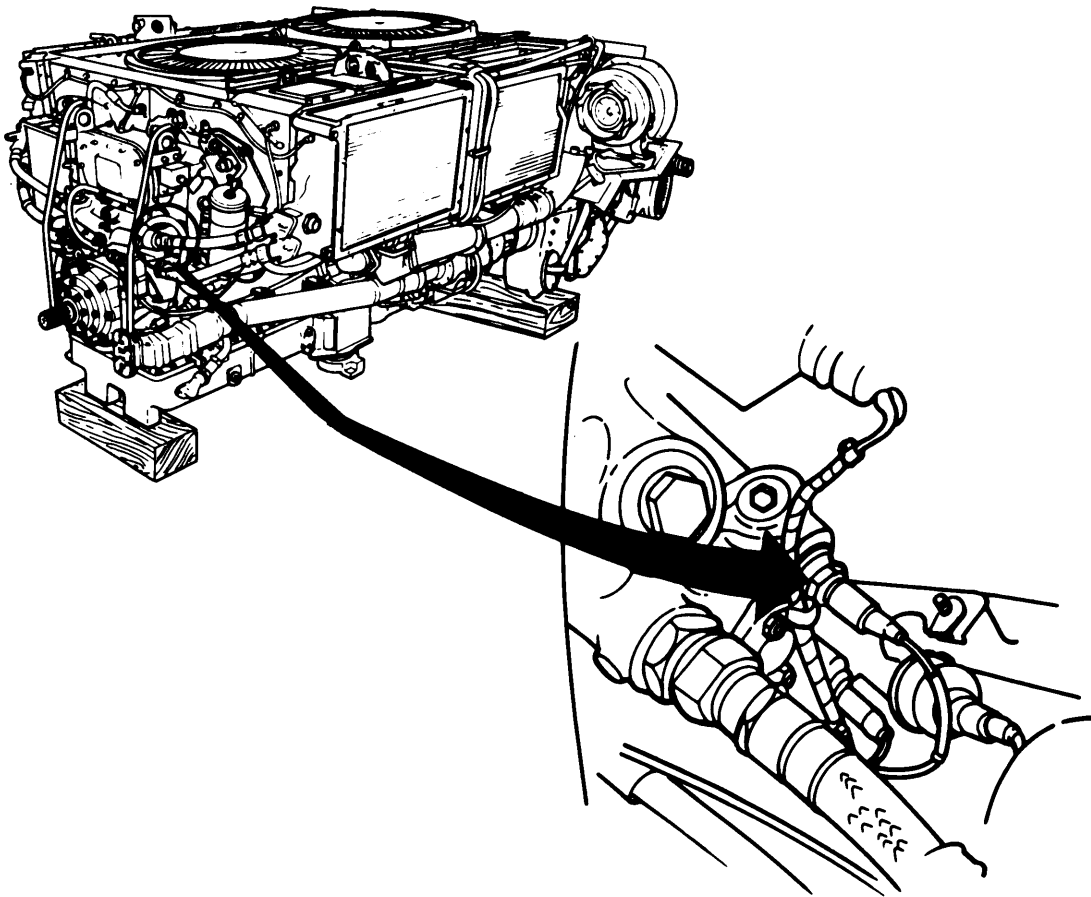
**ENGINE OIL TEMPERATURE TRANSMITTER REPLACEMENT (Sheet 1 of 3)**

**TOOLS:** 1/2 in. combination box and open end wrench  
15/16 in. combination box and open end wrench

**SPECIAL TOOLS:** Ground hop kit (Item 30, Chapter 3, Section I)

**SUPPLIES:** Rags (Item 65, Appendix D)  
Sealing compound (Item 20, Appendix D)

**PRELIMINARY PROCEDURES:** Remove powerplant (page 5-2)



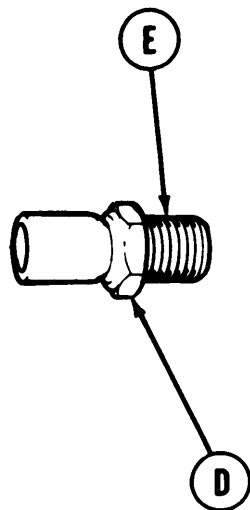
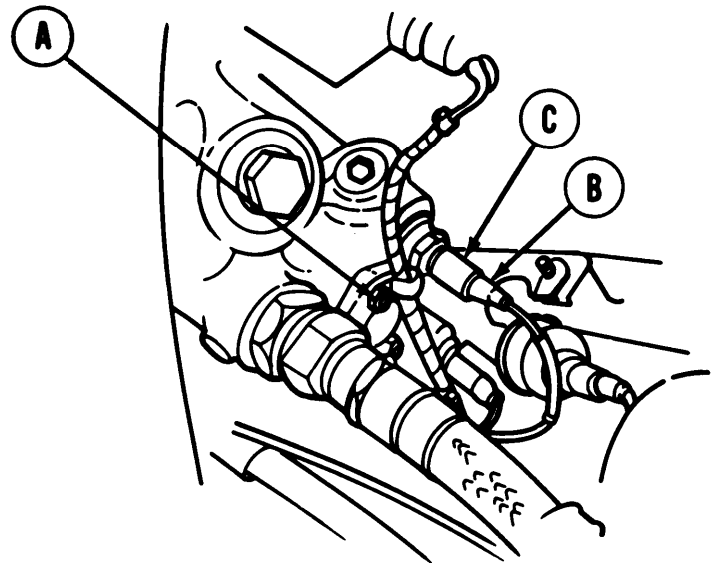
Go on to Sheet 2

TA168875

**ENGINE OIL TEMPERATURE TRANSMITTER REPLACEMENT (Sheet 2 of 3)**

**REMOVAL:**

1. Place rags under transmitter.
2. Using 1/2 inch wrench, remove self-locking nut and clamp (A).
3. Pull socket of rubber insulated connector (B) from switch cap (C).
4. Using 15/16 inch wrench, remove transmitter (D) from engine.



5. Check interior and protruding part of transmitter socket (E) for cracks and crossed threads. Replace if necessary.

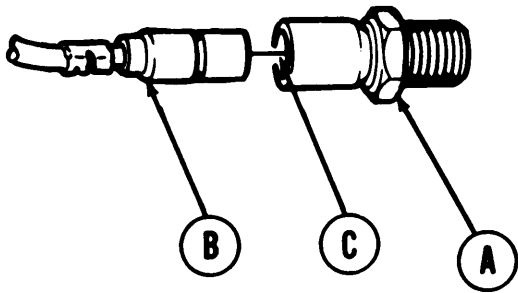
**INSTALLATION:**

1. Lightly coat threads of new transmitter with sealing compound.

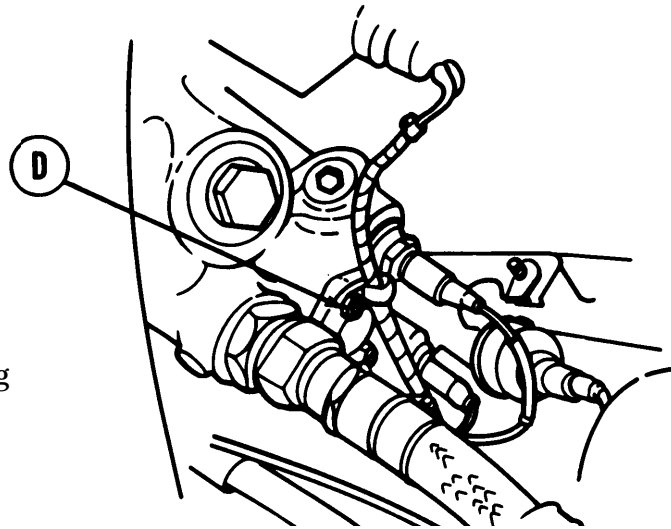
Go on to Sheet 3

TA168876

ENGINE OIL TEMPERATURE TRANSMITTER REPLACEMENT (Sheet 3 of 3)



2. Using 15/16 inch wrench, install new transmitter (A) into engine.
3. Push socket of rubber insulated connector (B) into transmitter cap (C).



4. Remove rags from under transmitter.
5. Using 1/2 inch wrench, install self-locking nut and clamp (D).
6. Connect engine for powerplant ground hop (page 5-26).
7. Start and run engine. Observe oil temperature indicator for normal oil temperature.
8. Shut down engine. Disconnect engine from powerplant ground hop (page 5-40).
9. Install powerplant (page 5-14).

End of Task

TA168877



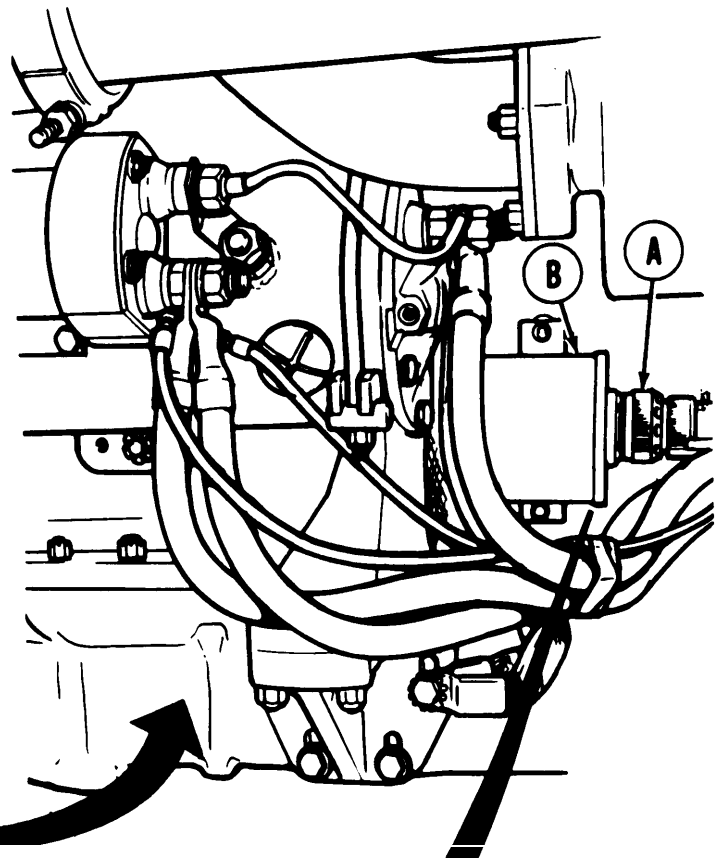
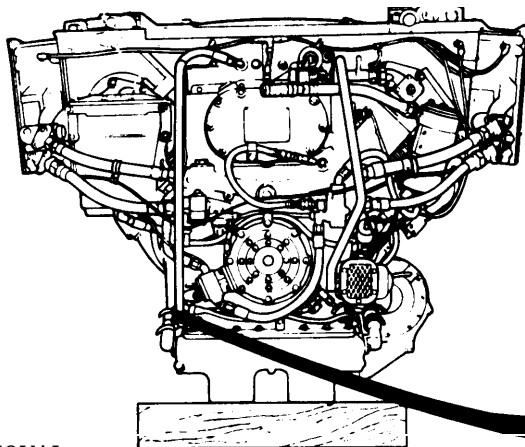
**STARTER LOW VOLTAGE RELAY SOLENOID REPLACEMENT (Sheet 1 of 2)**

**TOOLS:** Ratchet with 1/2 in. drive  
 5 in. extension with 1/2 in. drive  
 7/16 in socket with 1/2 in. drive  
 7/16 in. combination box  
 and open end wrench  
 Spanner wrench

**SPECIAL TOOLS:** Ground hop kit  
 (Item 30, Chapter 3, Section I)

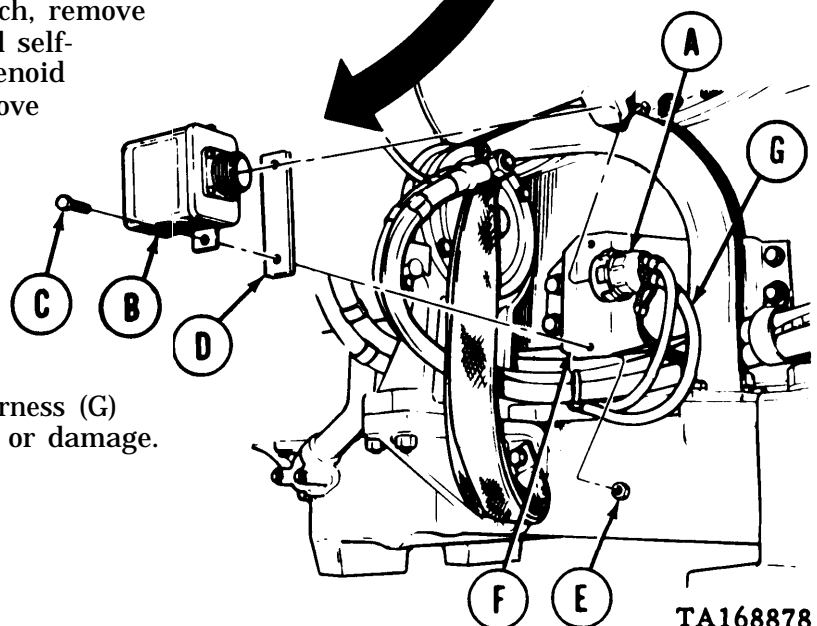
**REFERENCES:** TM 5-5420-226-10

**PRELIMINARY PROCEDURES:**  
 Remove powerplant (page 5-2)



**REMOVAL:**

1. Using spanner wrench, unscrew electrical plug (A) from front of relay solenoid (B).
2. Using socket, extension, and wrench, remove two screws (C), insulators (D), and self-locking nuts (E) securing relay solenoid (B) to mounting bracket (F). Remove relay solenoid.



**INSPECTION:**

1. Inspect insulator (D) and wiring harness (G) with connector plug (A) for cracks or damage. Replace if damaged.

Go on to Sheet 2

TA168878

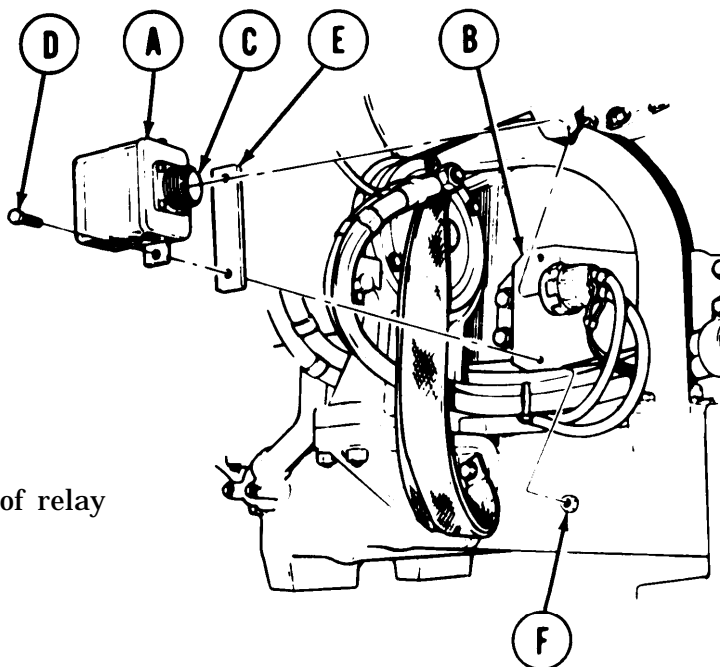
**STARTER LOW VOLTAGE RELAY SOLENOID REPLACEMENT (Sheet 2 of 2)**

**INSTALLATION:**

**NOTE**

Be sure insulators (E) are placed between relay solenoid (A) and engine mounting bracket (B) as shown.

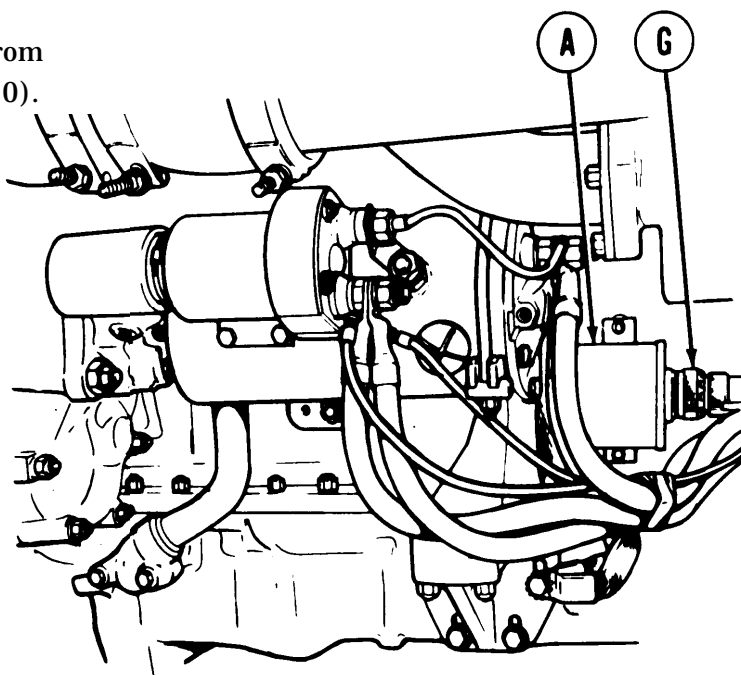
1. Place relay solenoid (A) in position over mounting plate (B) with the electrical plug (C) facing front. Using socket, extension, and wrench secure solenoid (A) to mounting plate (B) with two screws (D), insulators (E), and self-locking nuts (F).



2. Screw electrical connectors (G) to front of relay solenoid (A). Tighten, using spanner wrench

**TEST:**

1. Connect powerplant for ground hop (page 5-26).
2. Start engine (TM 5-5420- 226-10). Check to be sure engine starts smoothly.
3. Stop engine. Disconnect powerplant from powerplant ground hop (page 5-40).
4. Install powerplant (page 5-14).

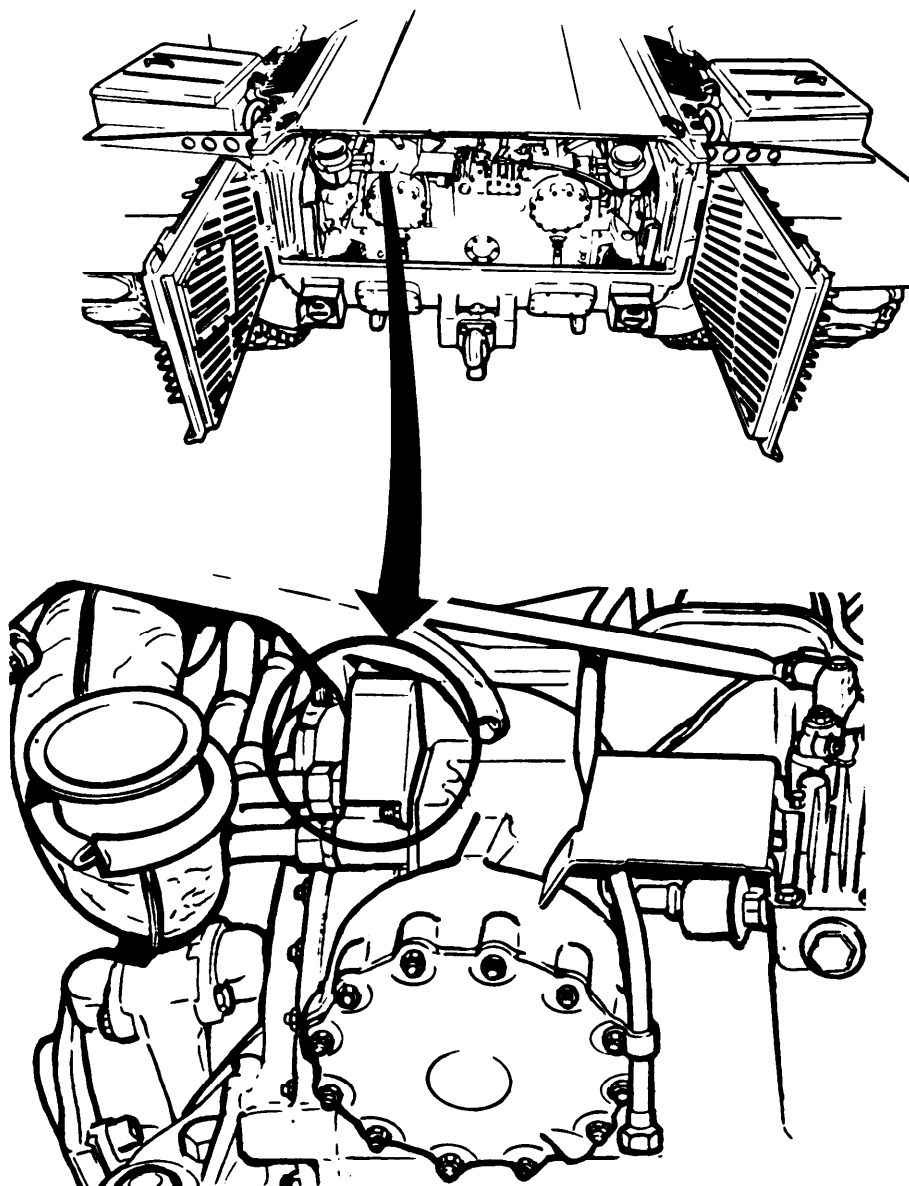


End of Task

TRANSMISSION OIL TEMPERATURE TRANSMITTER PROTECTOR REPLACEMENT (Sheet 1 of 2)

TOOLS: Ratchet with 1/2in. drive  
5 in. extension with 1/2 in. drive  
9/16 in. socket with 1/2 in. drive  
9/16 in. combination box and open end wrench

PRELIMINARY: Remove transmission shroud (page 9-2)



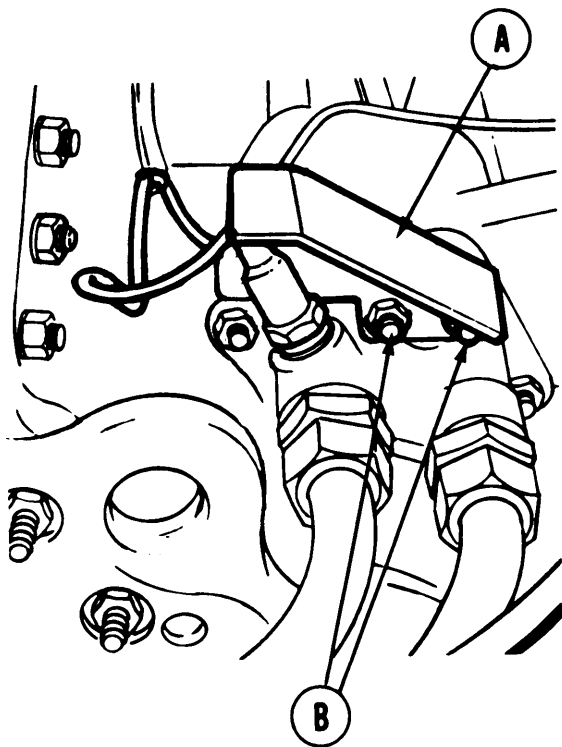
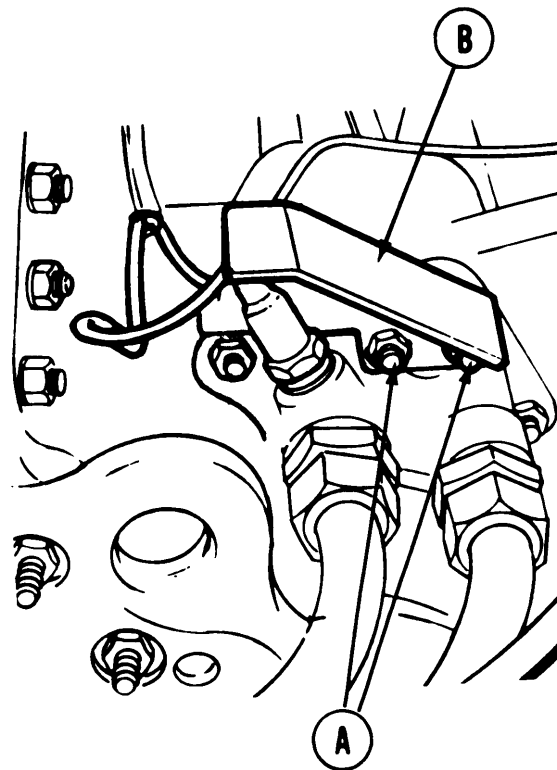
Go on to Sheet 2

TA168880

TRANSMISSION OIL TEMPERATURE TRANSMITTER PROTECTOR REPLACEMENT (Sheet 2 of 2)

REMOVAL:

1. Using socket and extension or wrench, remove two nuts (A) holding transmission oil temperature transmitter protector (B) to transmission.
2. Manually lift transmission oil temperature transmitter protector (B) away from transmission.



INSTALLATION

1. Position transmission oil temperature transmitter protector (A) onto transmission.
2. Manually start two nuts (B) to hold oil temperature transmitter protector (A) in place.
3. Using socket and extension or wrench, install two nuts (B).

4. Install transmission shroud (page 9-6).

End of Task

TA168881

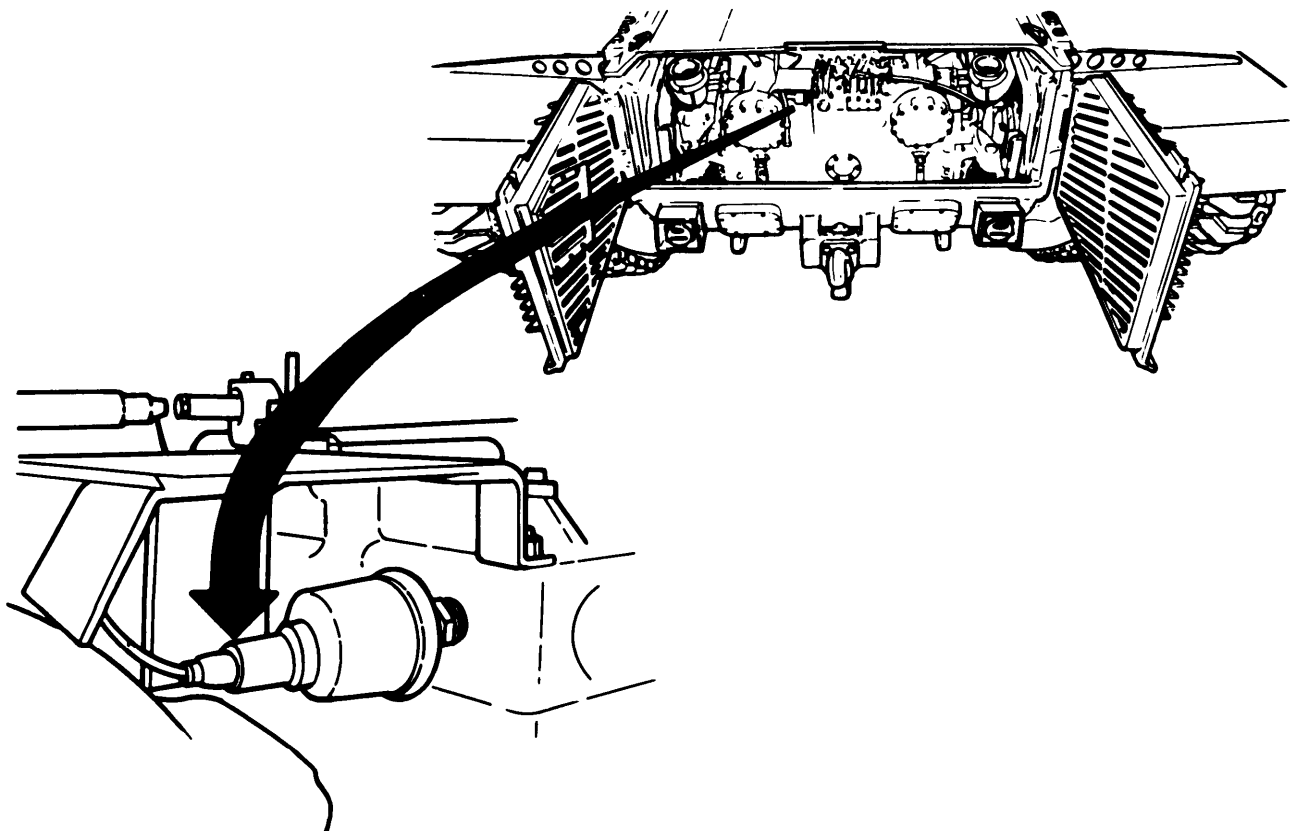
**TRANSMISSION OIL PRESSURE TRANSMITTER REPLACEMENT (Sheet 1 of 3)**

**TOOLS:** 11/16 in. combination box and open end wrench  
7/8 in. combination box and open end wrench

**SUPPLIES:** Rags (Item 65, Appendix D)  
Sealing compound (Item 20, Appendix D)

**REFERENCES:** TM 9-5420-226-10

**PRELIMINARY PROCEDURES:** Remove transmission shroud (page 9-2).



Go on to Sheet 2

TA168882

**TRANSMISSION OIL PRESSURE TRANSMITTER REPLACEMENT (Sheet 2 of 3)**

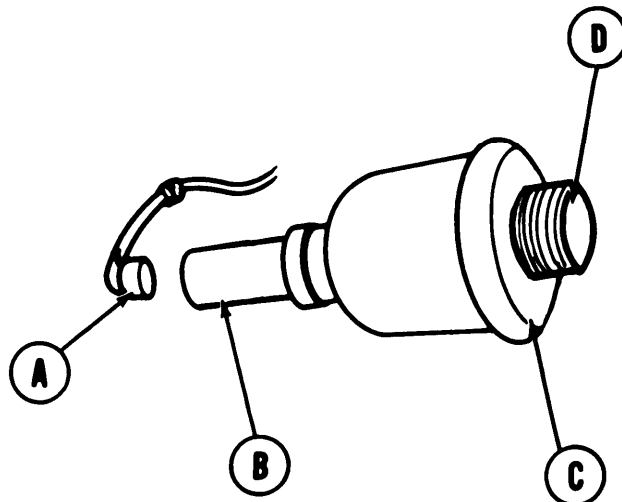
REMOVAL:

1. Place rags under transmitter.
2. Pull socket of rubber insulated connector (A) from transmitter cap (B).
3. Using 7/8 inch wrench, remove transmitter (C) from bushing (D).
4. Using 11/16 inch wrench, remove bushing (D) from transmission socket.
5. Check bushing (D) for cracks and crossed threads. Replace if necessary.

INSTALLATION:

**NOTE**

**Prior to installation, lightly coat male threads of all components with sealing compound.**



**TRANSMISSION OIL PRESSURE TRANSMITTER REPLACEMENT (Sheet 3 of 3)**

1. Using 11/16 inch wrench, install bushing (A) to transmission socket.
2. Using 7/8 inch wrench, install new transmitter (B) to bushing (A).
3. Push socket of rubber insulated connector (C) into transmitter cap (D).
4. Remove rags from under transmitter.
5. Start and run engine. Observe oil pressure indicator for normal oil pressure (TM 9-5420-226-10).
6. Stop engine (TM 5-5420-226-10).
7. Install transmission shroud (page 9-6).

End of Task

TA168884

**TM 5-5420-226-20-3**

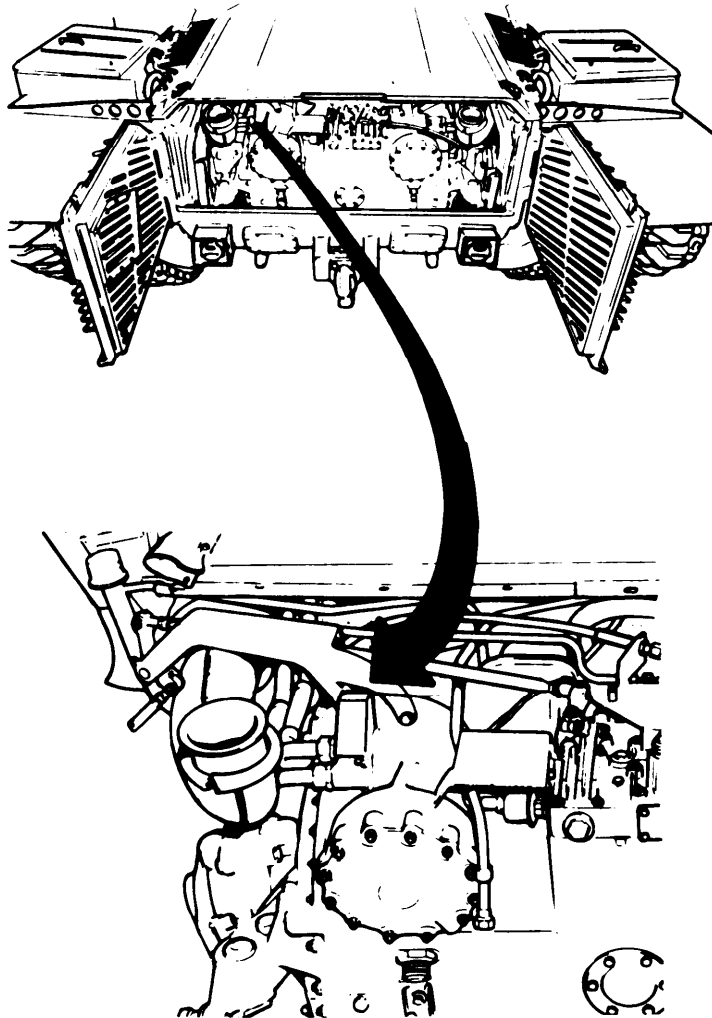
**TRANSMISSION OIL TEMPERATURE TRANSMITTER REPLACEMENT (Sheet 1 of 2)**

**TOOLS:** 15/16 in. combination box and open end wrench

**SUPPLIES:** Rags (Item 65, Appendix D)  
Sealing compound (Item 20, Appendix D)

**REFERENCE:** TM 9-5420-226-10

**PRELIMINARY PROCEDURE:** Remove transmission shroud (page 9-2)



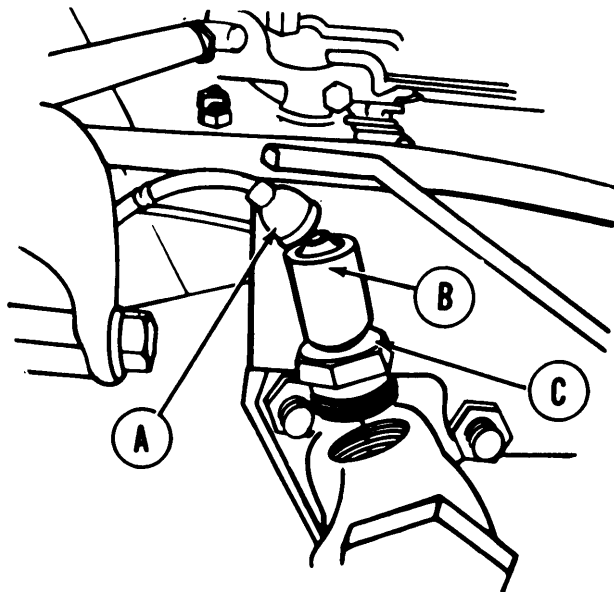
Go on to Sheet 2

TA168885

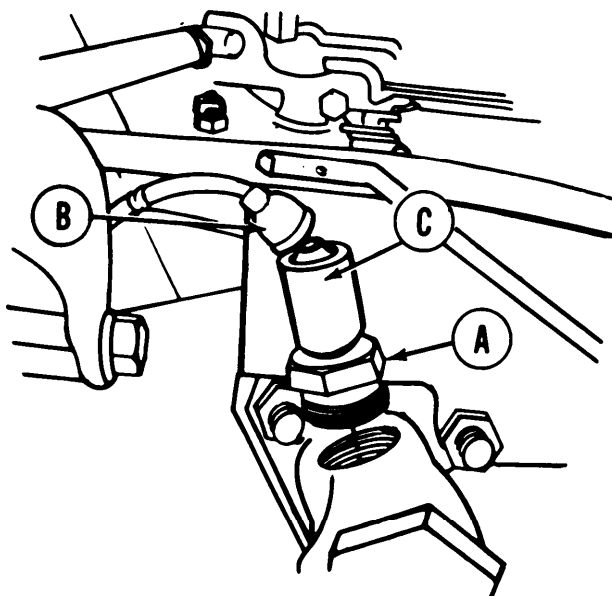


**TRANSMISSION OIL TEMPERATURE TRANSMITTER REPLACEMENT (Sheet 2 of 2)****REMOVAL:**

1. Place rags under transmitter.
2. Pull socket of rubber insulated connector (A) from switch cap (B).
3. Using wrench, remove transmitter (C) from transmission.

**INSTALLATION:**

1. Lightly coat threads of new transmitter with sealing compound.



2. Using wrench, install new transmitter (A) into transmission.
3. Push socket of rubber insulator connector (B) into switch cap (C).
4. Remove rags from under transmitter.

5. Start and run engine. Observe oil temperature indicator for normal oil temperature (TM 9-5420-226-10).
6. Stop engine (TM 5-5420-226-10).
7. Install transmission shroud (page 9-6).

End of Task

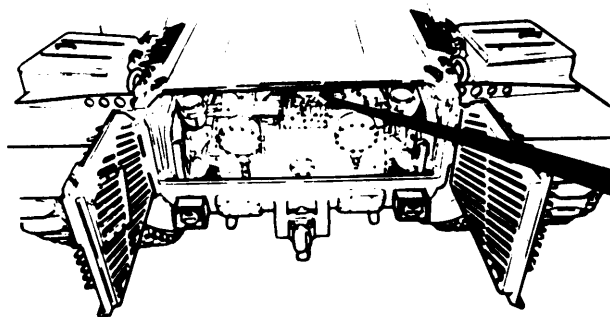
TA168886

NEUTRAL SHIFT SWITCH ASSEMBLY REPLACEMENT (Sheet 1 of 2)

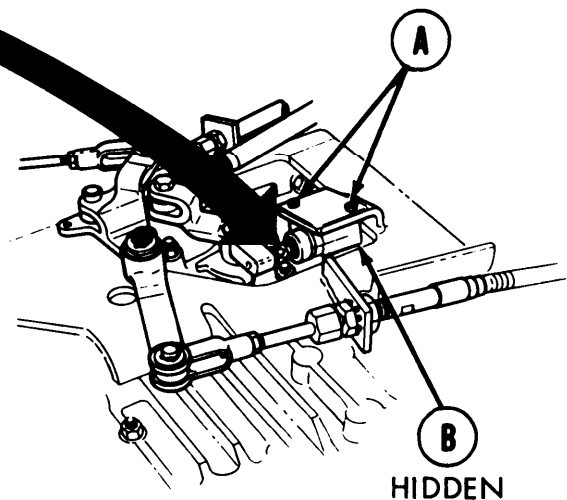
TOOLS: 10 in. adjustable wrench  
Flat-tip screwdriver 2 in. blade

SUPPLIES: Silicone compound (Item 32, Appendix D)

PRELIMINARY PROCEDURES: Remove transmission shroud (page 9-2)

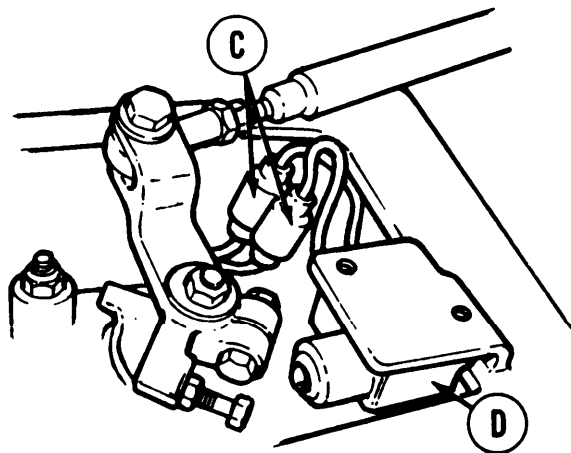


**NOTE**  
Screws holding switch may be reversed.



REMOVAL:

1. Using wrench on nuts (A) and screwdriver on screws (B) (hidden), remove two screws, lockwasher, and nuts.



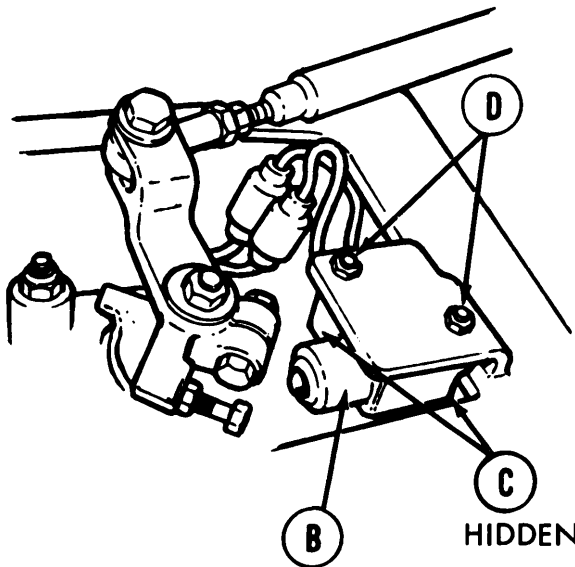
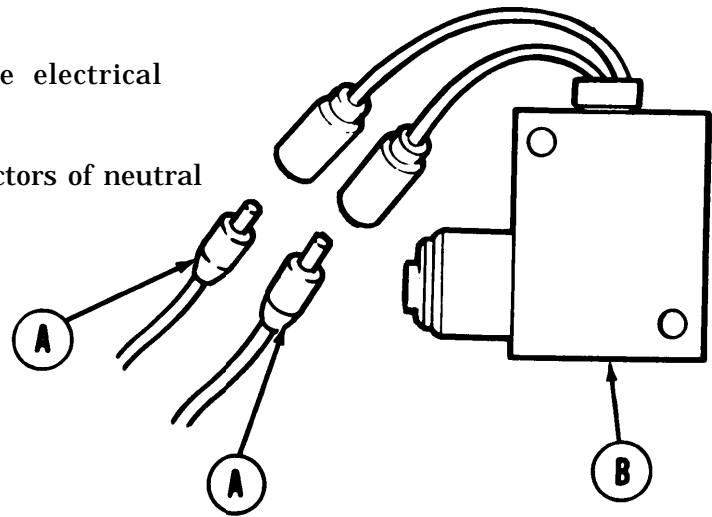
2. Disconnect two electrical connectors (C) from neutral shift switch (D).
3. Remove neutral shift switch (D).

Go on to Sheet 2

TA168887

NEUTRAL SHIFT SWITCH ASSEMBLY REPLACEMENT (Sheet 2 of 2)

1. Apply silicone compound to two male electrical connectors (A).
2. Connect two connectors (A) to connectors of neutral shift switch (B).



3. Place neutral shift switch (B) in position on vehicle.
4. Using wrench and screwdriver, install two screws (C) (hidden), new lockwasher, and nuts (D).

5. Attempt to start engine in all transmission lever positions. Engine should start only in neutral (N) and park (P) position. If not, perform 'adjustment procedure (page 11-81).
6. Install transmission shroud (page 9-6).

End of Task

TA168888

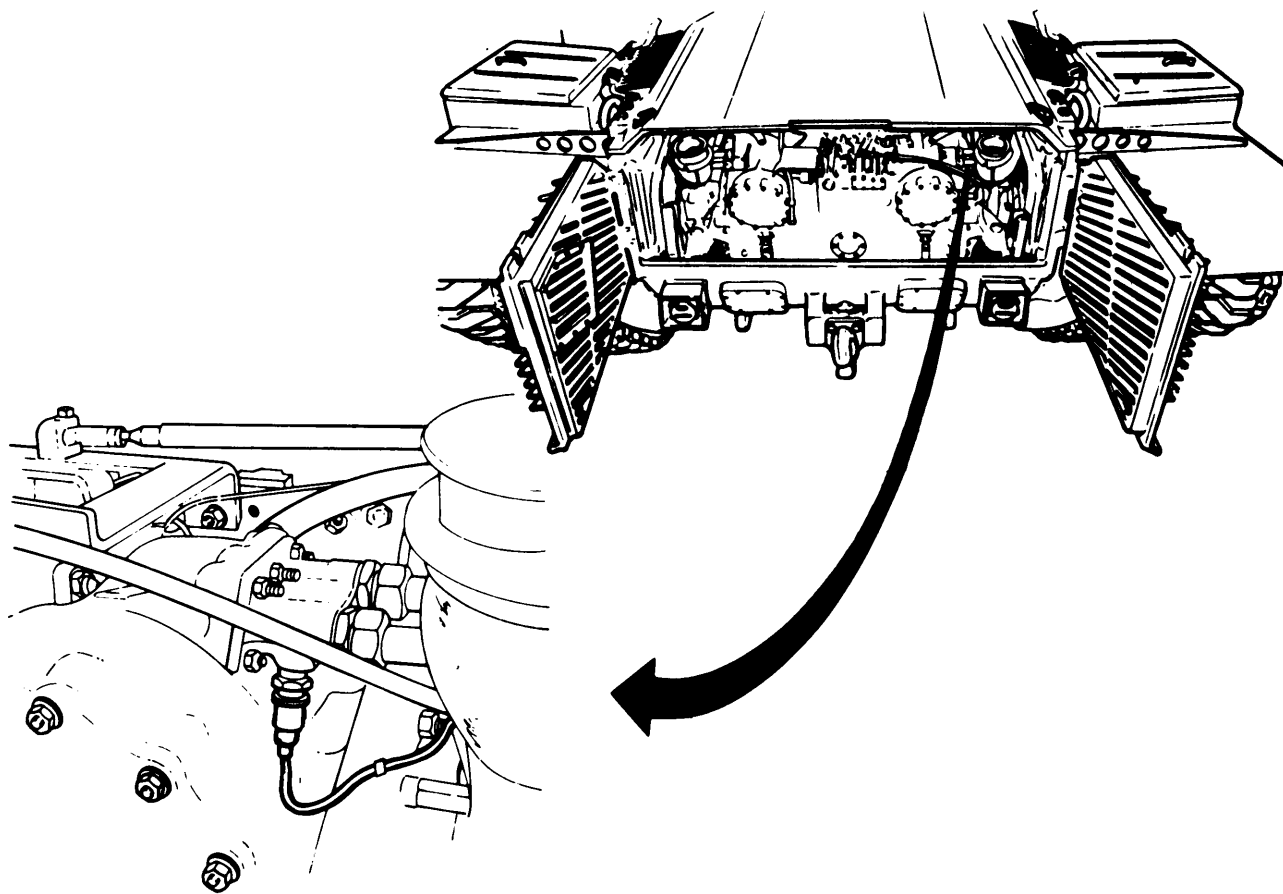
**TRANSMISSION HIGH OIL TEMPERATURE SWITCH REPLACEMENT (Sheet 1 of 2)**

**TOOLS:** 15/16 in. combination box and open end wrench

**SUPPLIES:** Rags (Item 65, Appendix D)  
Sealing compound (Item 20, Appendix D)

**REFERENCES:** TM 5-5420-226-10

**PRELIMINARY PROCEDURES:** Remove transmission shroud (page 9-2).



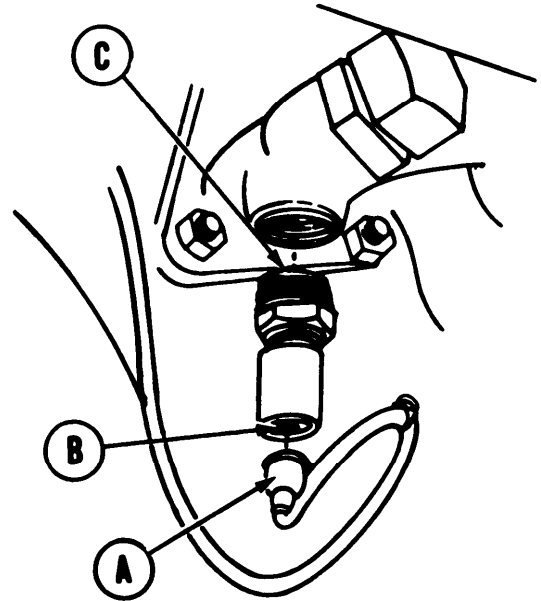
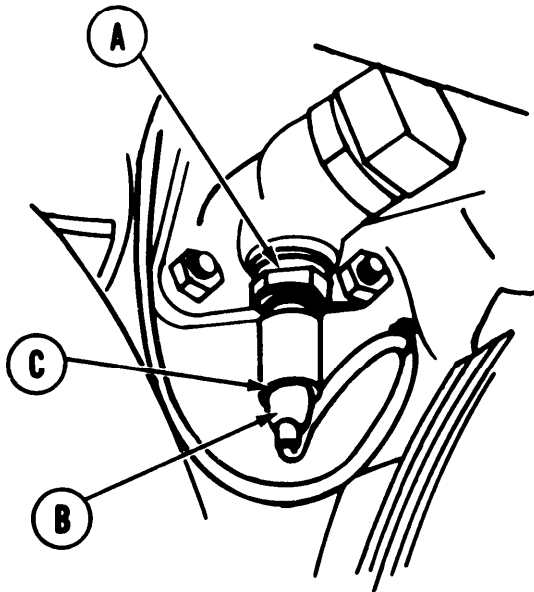
Go on to Sheet 2

**TA168889**

**TRANSMISSION HIGH OIL TEMPERATURE SWITCH REPLACEMENT (Sheet 2 of 2)**

REMOVAL:

1. Place rags under stitch.
2. Pull socket of rubber insulated connector (A) from switch cap (B).
3. Using wrench, remove switch (C) from transmission.



INSTALLATION:

1. Using seating compound, lightly coat threads of new switch.
2. Using wrench, install new switch (A) into transmission.
3. Push socket of rubber insulated connector (B) into switch cap (C).
4. Remove rags from under switch.
5. Start and run engine. Observe oil temperature indicator for normal oil temperature (TM 5-5420-226-10).
6. Stop engine (TM 5-5420-226-10).
7. Install transmission shroud (page 9-6).

End of Task

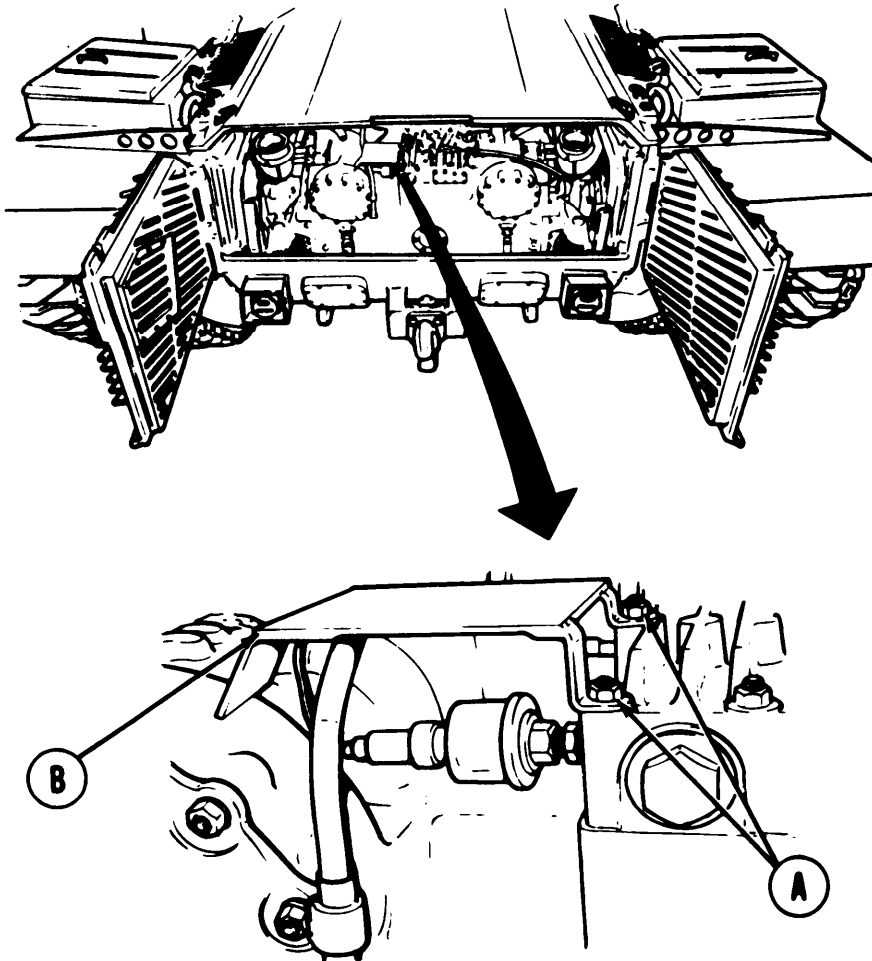
TA168890

**TM 5-5420-226-20-3**

**OIL PRESSURE TRANSMITTER GUARD PLATE REPLACEMENT (Sheet 1 of 2)**

TOOLS: Ratchet with 1/2 in. drive  
9/16 in. socket with 1/2 in. drive

PRELIMINARY PROCEDURE: Remove transmission shroud (page 9-2)



**REMOVAL:**

1. Using socket, remove two nuts (A) holding oil pressure transmitter guard plate (B) to transmission.
2. Manually lift oil pressure transmitter guard plate (B) up and away from transmission.

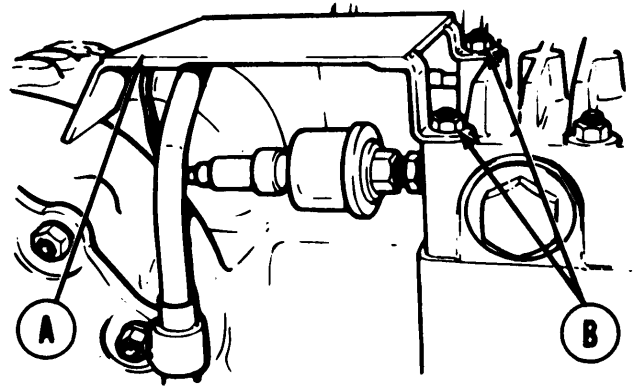
Go on to Sheet 2

TA168891

**OIL PRESSURE TRANSMITTER GUARD PLATE REPLACEMENT (Sheet 2 of 2)**

INSTALLATION:

1. Position oil press-transmitter guard plate (A) onto transmission.
2. Manually start two nuts (B) to hold oil pressure transmitter guard plate (A) in place.
3. Using socket, tighten two nuts (B).
4. Install transmission shroud (page 9-6).



End of Task

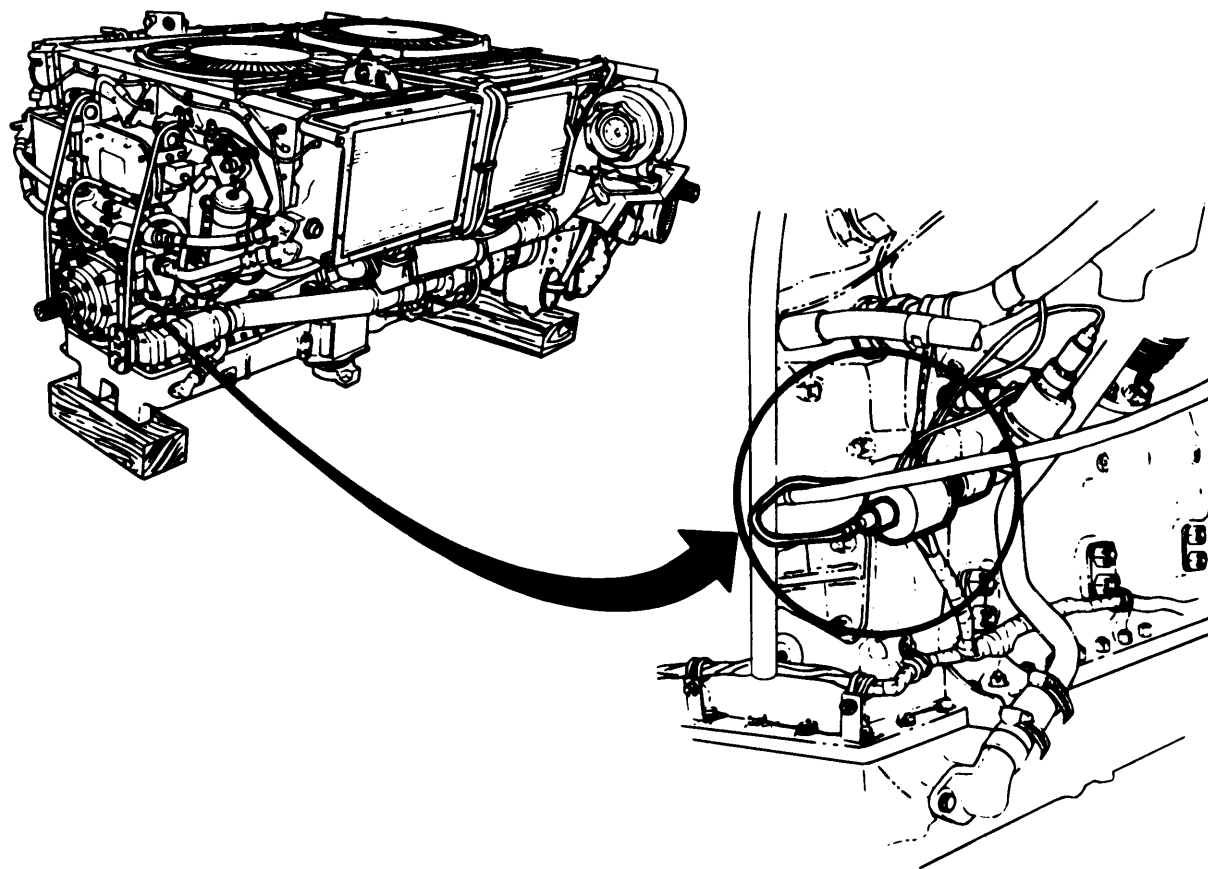
**ENGINE LOW OIL PRESSURE SWITCH REPLACEMENT (Sheet 1 Of 3)**

**TOOLS:** 7/8 in. combination box and open end wrench  
12 in. adjustable wrench (crescent)

**SPECIAL TOOLS:** Ground hop kit (Item 30, Chapter 3, Section I)

**SUPPLIES:** Rags (Item 65, Appendix D)  
Sealing compound (Item 20, Appendix D)

**PRELIMINARY PROCEDURES:** Remove powerplant (page 5-2)  
Remove engine oil high temperature thermostatic switch  
(page 10-220)



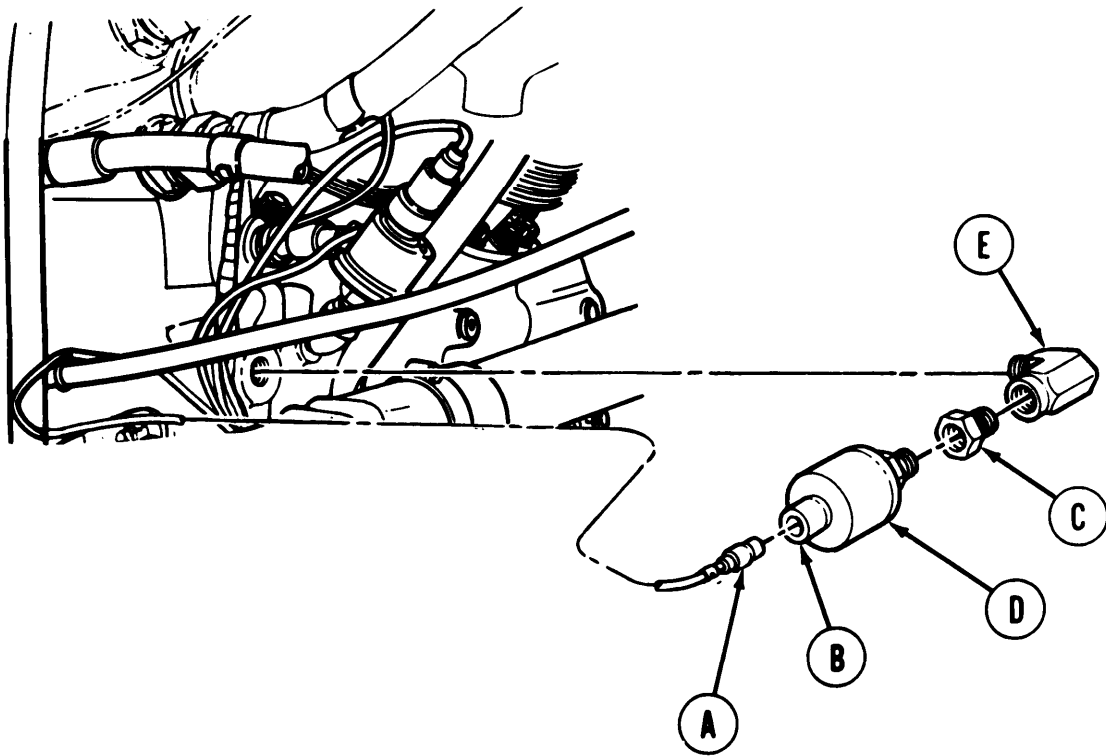


**ENGINE LOW OIL PRESSURE SWITCH REPLACEMENT (Sheet 2 of 3)****REMOVAL:**

1. Place rags under engine low oil pressure switch.
2. Pull socket of rubber insulated connector (A) from switch cap (B).
3. Using 7/8 inch wrench to hold adapter (C), use adjustable wrench and remove switch (D) from adapter (C).
4. Using 7/8 inch wrench, remove adapter (C) from elbow (E).
5. Using adjustable wrench, remove elbow (E) from engine.

**INSTALLATION:****NOTE**

**Prior to installation, lightly coat male threads of all components with sealing compound.**

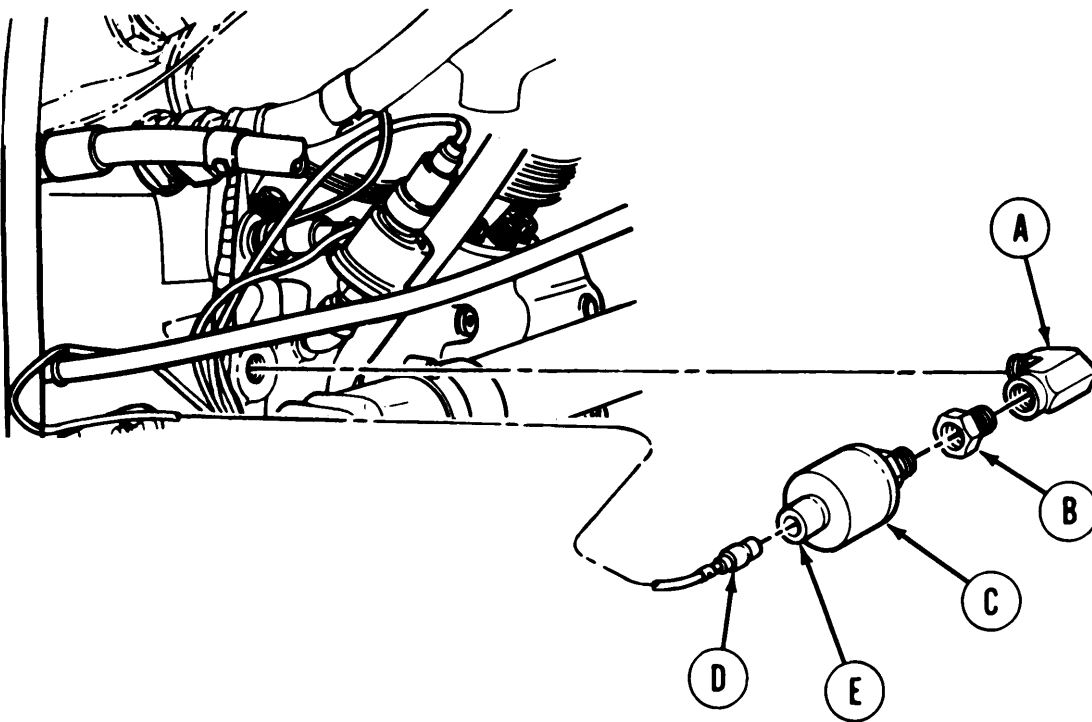


Go on to Sheet 3

TA168894

ENGINE LOW OIL PRESSURE SWITCH REPLACEMENT (Sheet 3 of 3)

1. Using adjustable wrench, install elbow (A) to engine.
2. Using 7/8 inch wrench, install adapter (B) to elbow (A).
3. Using 7/8 inch wrench, install new switch (C) into adapter (B).
4. Push socket of rubber insulated connector (D) into switch cap (E).
5. Remove rags from under engine low oil pressure switch.
6. Install engine oil high temperature thermostatic switch (page 10-220).
7. Connect engine for powerplant ground hop (page 5-26).
8. Start and run engine. Observe low oil pressure indicator for normal oil pressure.
9. Stop engine. Disconnect engine from powerplant ground hop (page 5-40).
10. Install powerplant (page 5-14).



End of Task

TA168895

**BATTERY JUMPER CABLE ASSEMBLY REPLACEMENT (Sheet 1 of 6)**

PROCEDURE INDEX

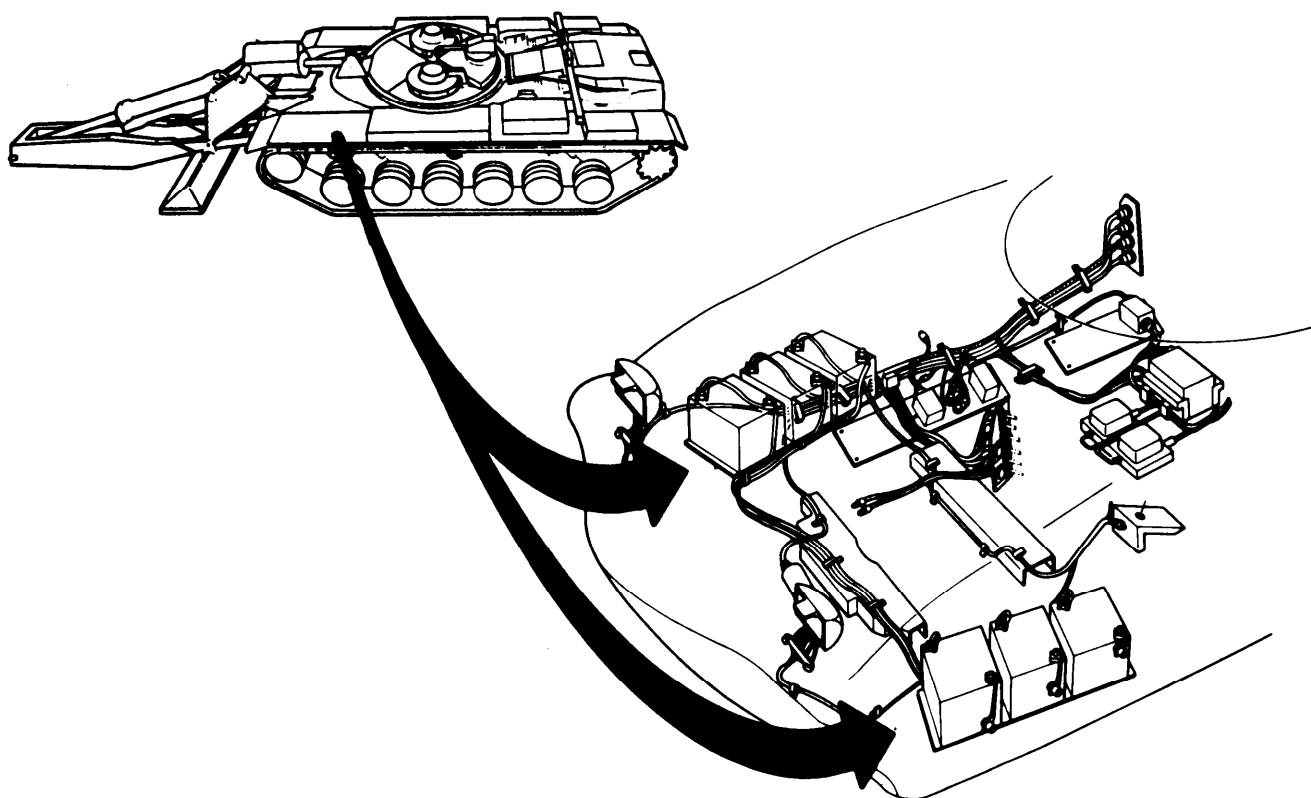
PROCEDURE	PAGE
Removal	10-245
Cleaning and Inspection	10-248
Installation	10-248

TOOLS: 9/16 in. combination box and open end wrench (2 required)  
 7/16 in. socket with 1/2 in. drive  
 Ratchet with 1/2 in. drive

SUPPLIES: Grease GAA (Item 37, Appendix D)  
 Rags (Item 65, Appendix D)  
 Steel wool (Item 56, Appendix D)

REFERENCE: TM 5-5420-226-10

PRELIMINARY PROCEDURE Remove three battery ground straps (page 10-264)

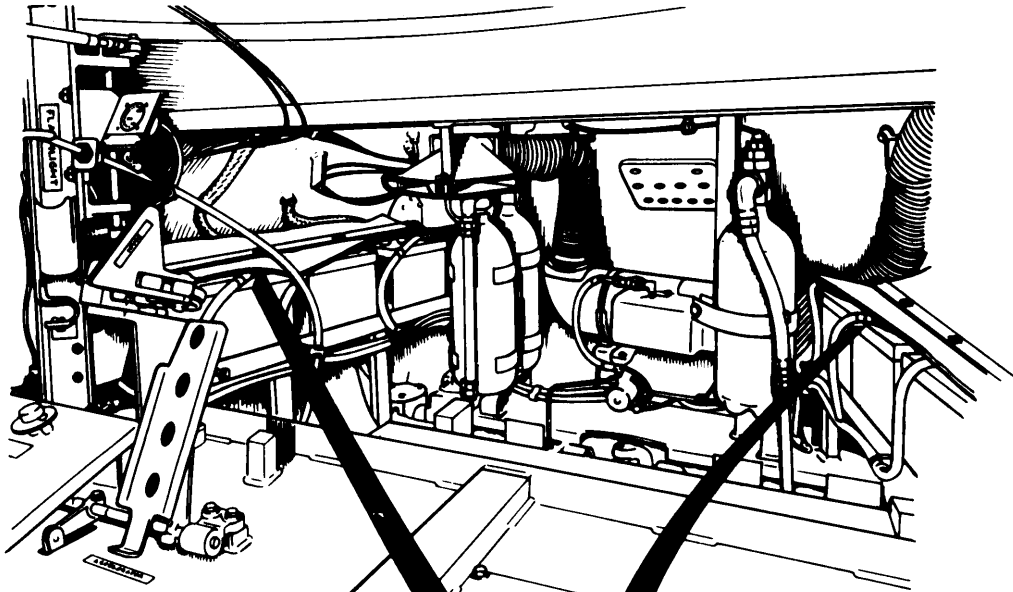


Go on to Sheet 2

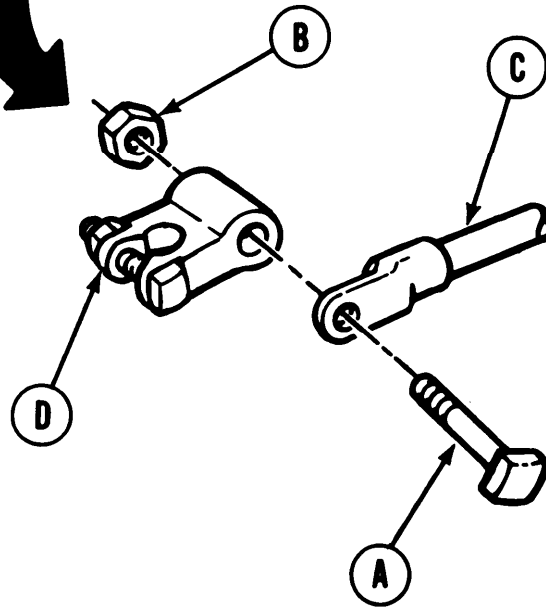
TA168896

BATTERY JUMPER CABLE ASSEMBLY REPLACEMENT (Sheet 2 of 6)

REMOVAL:



1. Holding bolt (A) with one wrench, use other wrench to remove nut (B) securing battery jumper cable assembly (C) to positive battery terminal lug (D).
2. Repeat step 1 at other end of jumper cable being replaced.

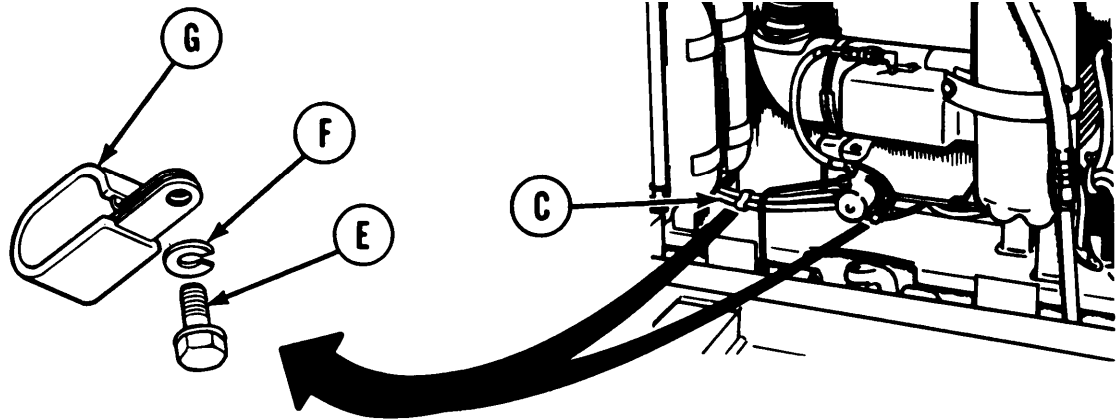


Go on to Sheet 3

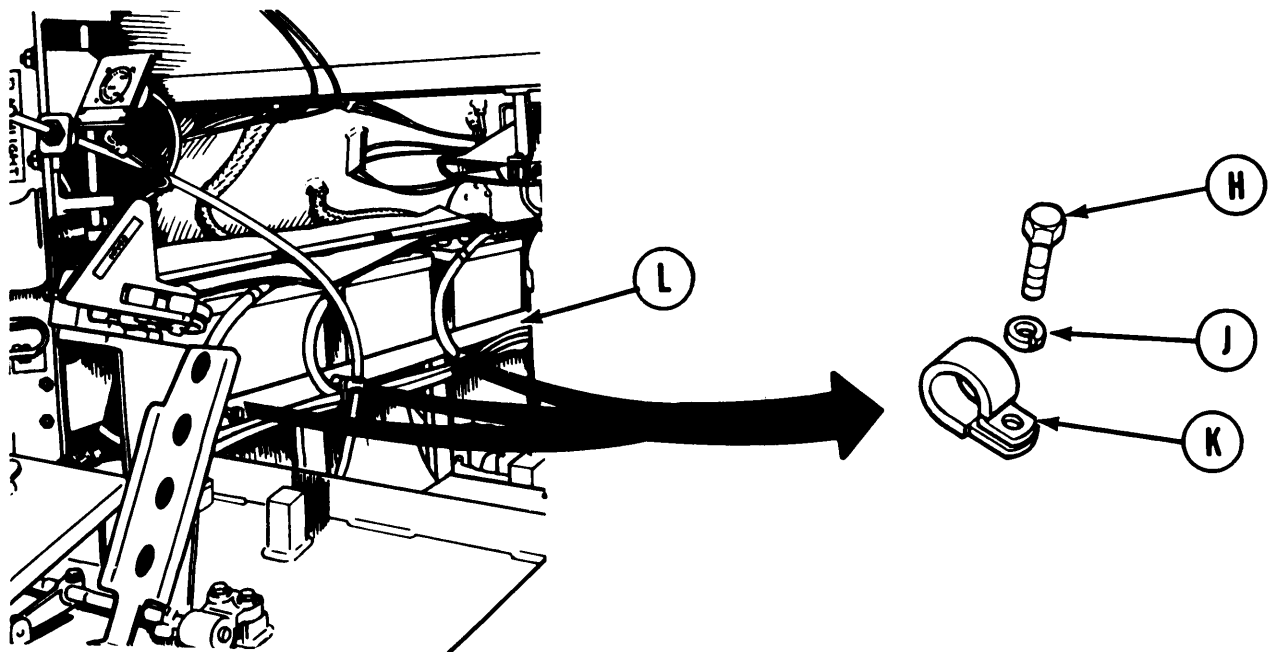
TA168897

**BATTERY JUMPER CABLE ASSEMBLY REPLACEMENT (Sheet 3 of 6)**

3. Using socket, remove two cap screws (E) and lockwashers (F) securing two loop clamps (G) and three battery jumper cable assemblies (C) to hull floor.
4. Remove battery jumper cable assembly (C) from two hull floor loop clamps (G).



5. Using socket, remove cap screw (H) and lockwasher (J) from each loop clamp (K) securing battery jumper cable assembly to two battery supports (L).



Go on to Sheet 4

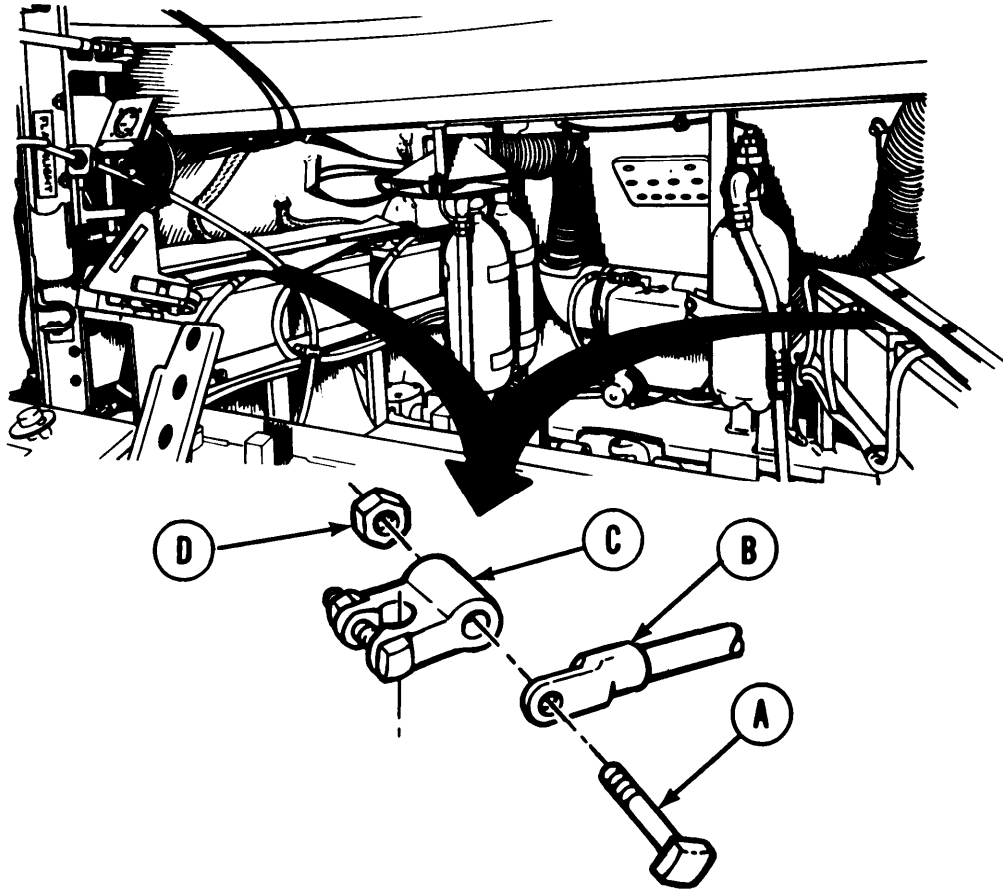
TA168898

**BATTERY JUMPER CABLE ASSEMBLY REPLACEMENT (Sheet 4 of 6)**

CLEANING AND INSPECTION:

1. Inspect contact points on positive battery terminal lugs and inspect battery jumper cable assembly for rust and corrosion.
2. Using steel wool, clean contact points until they shine.

INSTALLATION:



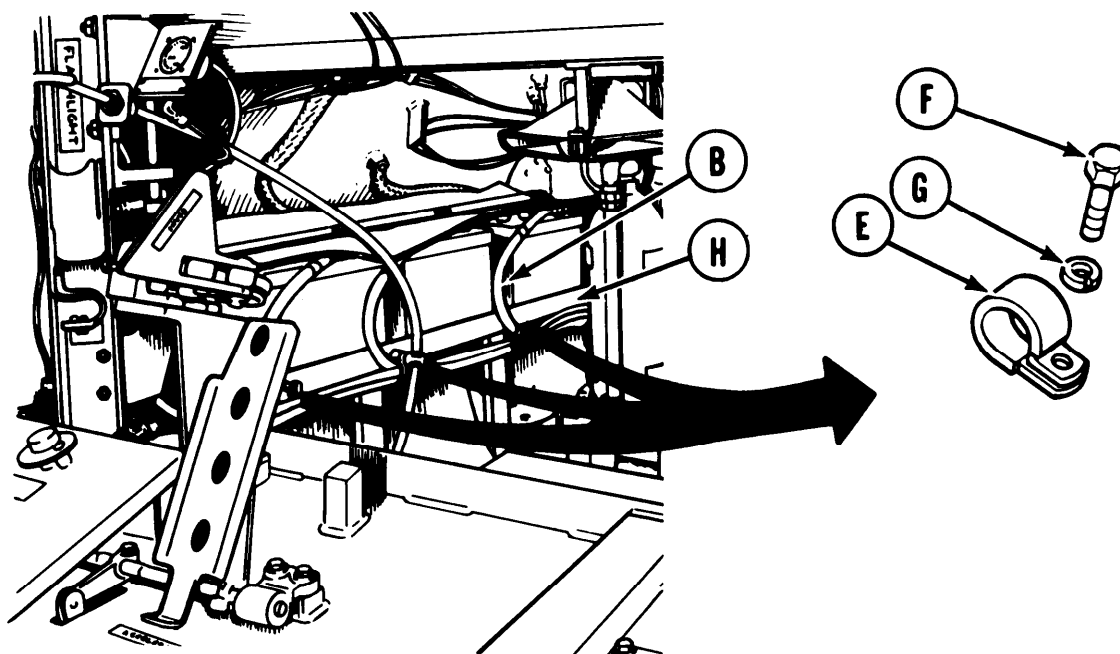
1. Place bolt (A) and battery jumper cable assembly contact point (B) in position on positive battery terminal lugs (C).
2. Holding bolt (A) with one wrench, use other wrench to install nut (D) securing battery jumper cable assembly (B) to positive battery terminal lugs (C).
3. Install both ends of battery jumper cable assembly (B) on two positive battery terminal lugs (c).
4. Apply a light coat of grease on two positive battery terminal lugs (C) to prevent corrosion.

Go on to Sheet 5

TA168899

**BATTERY JUMPER CABLE ASSEMBLY REPLACEMENT (Sheet 5 of 6)**

5. Place battery jumper cable assembly (B) in place in battery support loop clamp (E).



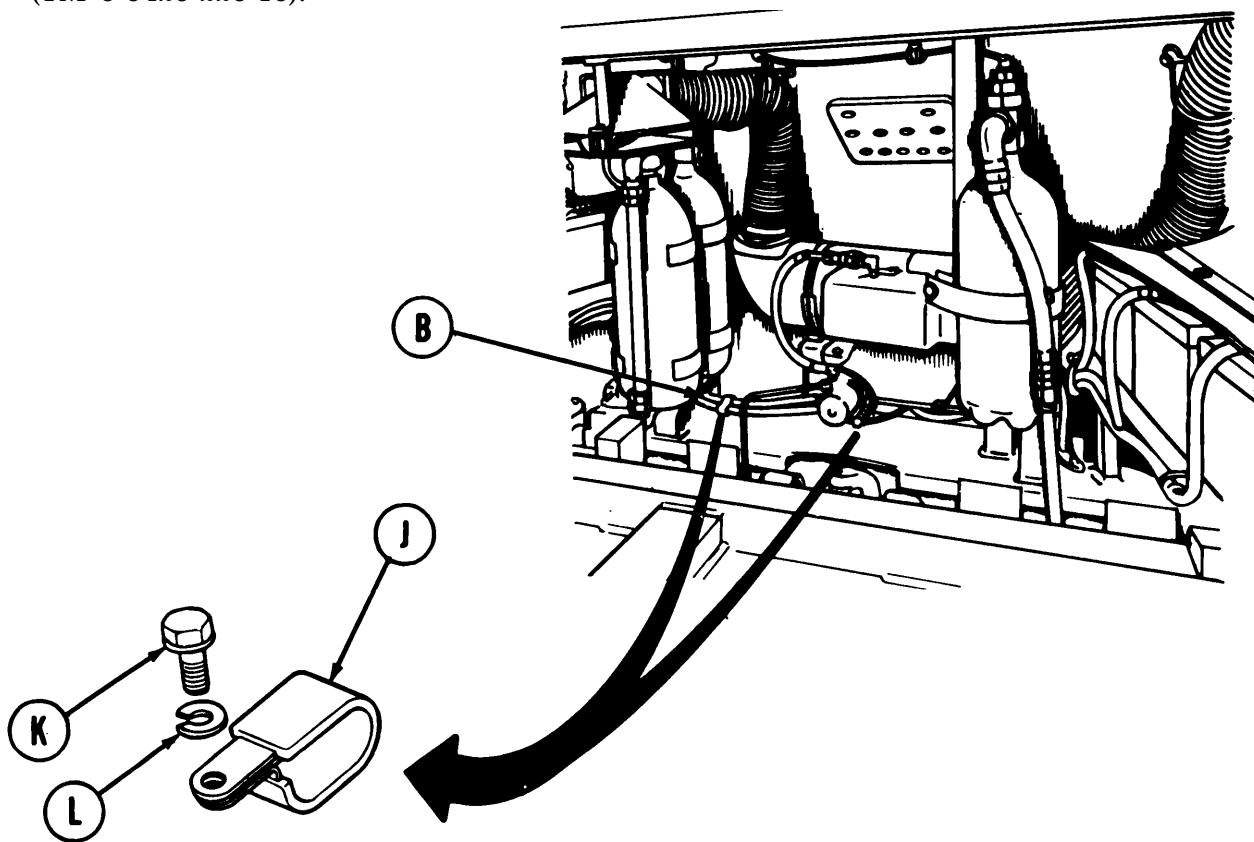
6. Place cap screws (F) and new lockwashers (G) securing loop clamps (E) and battery jumper cable assemblies (B) to battery supports (H).
7. Using socket, install cap screws (F) and new lockwashers (G) securing loop clamps (E) and battery jumper cable assemblies (B) to battery supports (H).

Go on to Sheet 6

TA168900

**BATTERY JUMPER CABLE ASSEMBLY REPLACEMENT (Sheet 6 of 6)**

8. Place battery jumper cable assembly (B) in position in two hull floor loop clamps (J).
9. Using socket, install two cap screws (K) and new lockwashers (L) securing two loop clamps (J) and three battery cable jumper assemblies to hull floor.
10. Install three battery ground straps (page 10-266).
11. Check batteries for operation (TM 5-5420-226-10).



End of Task

TA168901



**BATTERY TERMINAL LUG REPLACEMENT (Sheet 1 of 2)**

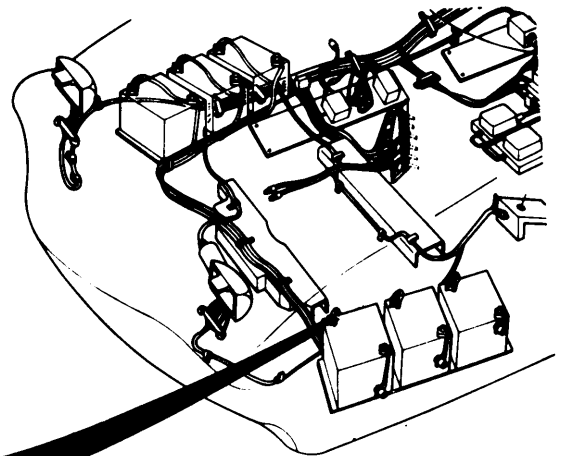
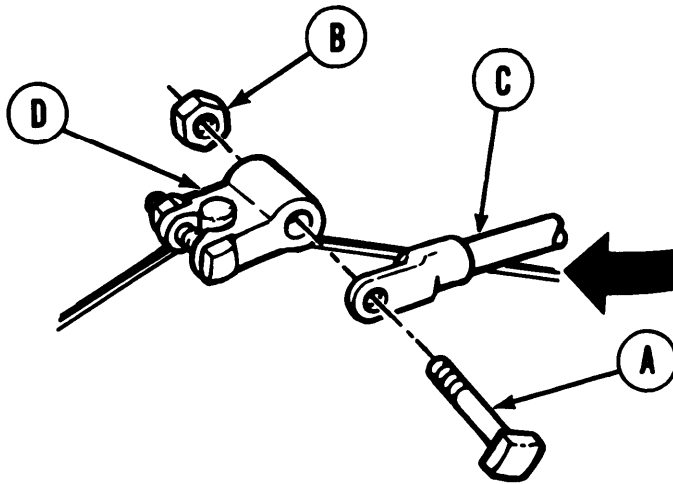
**TOOLS:** 9/16 in. combination box and open end wrench (2 required)  
 1/2 in. combination box and open end wrench (2 required)

**REFERENCE:** TM 5-5420-226-10

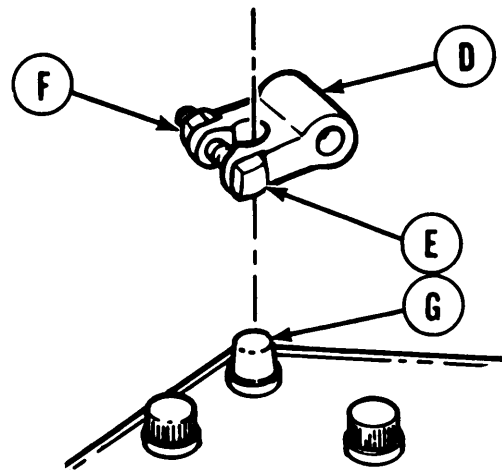
**PRELIMINARY PROCEDURE** Turn master battery switch off (TM 5-5420-226-10)

**REMOVAL:**

1. Using 9/16 inch wrench to hold bolt (A), use 9/16 inch wrench to remove nut (B) from bolt (A).
2. Remove bolt (A) and battery cable (C) from battery terminal lug (D).



3. Using 1/2 inch wrench to hold bolt (E), use 1/2 inch wrench to remove nut (F).
4. Remove bolt (E) from battery terminal lug (D).
5. Remove battery terminal lug (D) from battery terminal (G).



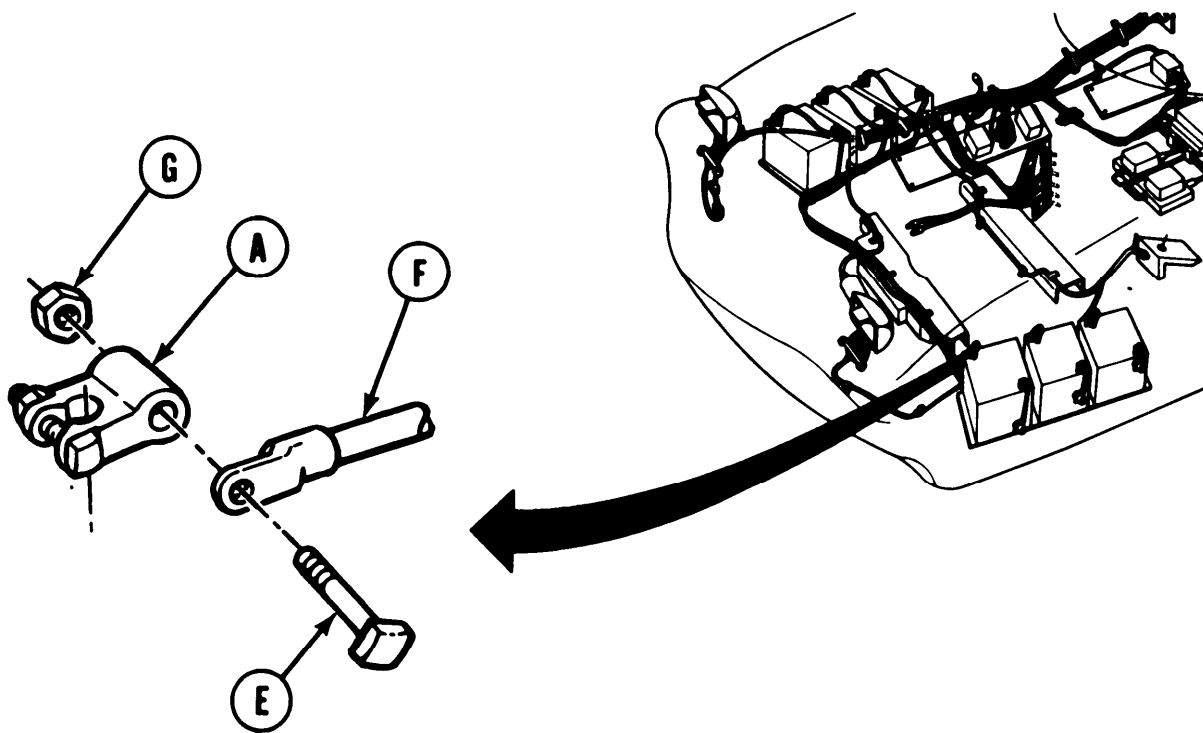
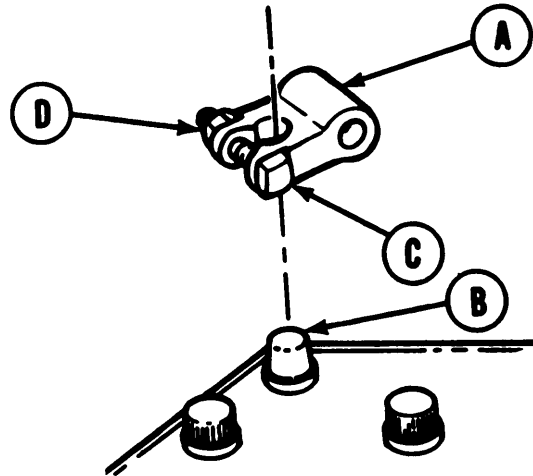
Go on to Sheet 2

TA168902

**BATTERY TERMINAL LUG REPLACEMENT (Sheet 2 of 2)**

**INSTALLATION:**

1. Place battery terminal lug (A) in position on battery terminal (B).
2. Insert bolt (C) through battery terminal lug (A).
3. Holding bolt (C) with 1/2 inch wrench, use 1/2 inch wrench to install nut (D) securing bolt (C) on battery terminal lug (A).
4. Place bolt (E) and battery cable (F) in position on battery terminal lug (A).
5. Holding bolt (E) with 9/16 inch wrench use 9/16 inch wrench to install nut (G) on bolt (E).
6. Start and operate vehicle (TM 5-5420-226-10).



End of Task

TA168903

**BATTERY AND BATTERY COVER REPLACEMENT (Sheet 1 of 5)**

PROCEDURE INDEX

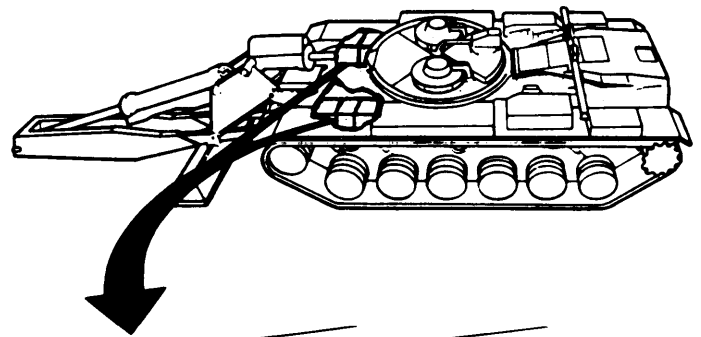
PROCEDURE	PAGE
Removal	10-253
Cleaning and Inspection	10-256
Installation	10-256

TOOLS: 9/16 in.combination box and open end wrench  
 1/2 in.combination box and open end wrench (2)  
 Wire brush

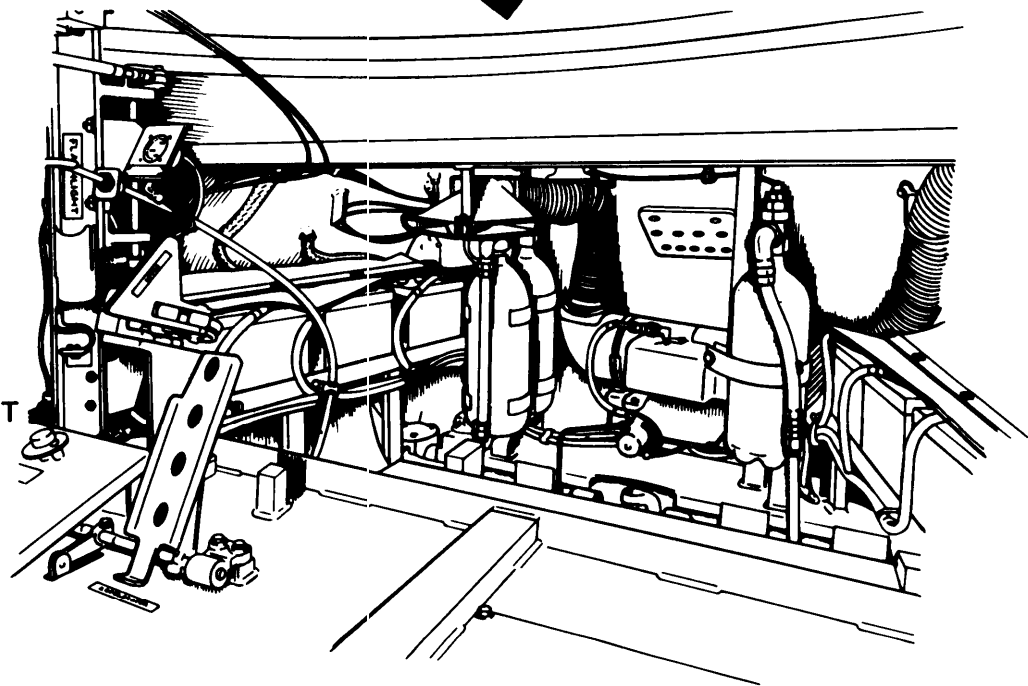
SUPPLIES: Water  
 Bicarbonate of soda  
 Rags (Item 65, Appendix D)  
 Grease (Item 37, Appendix D)

REFERENCE: TM 5-5420-226-10

PRELIMINARY PROCEDURE:  
 Turn MASTER BATTERY switch to  
 OFF (TM 5-5420-226-10)



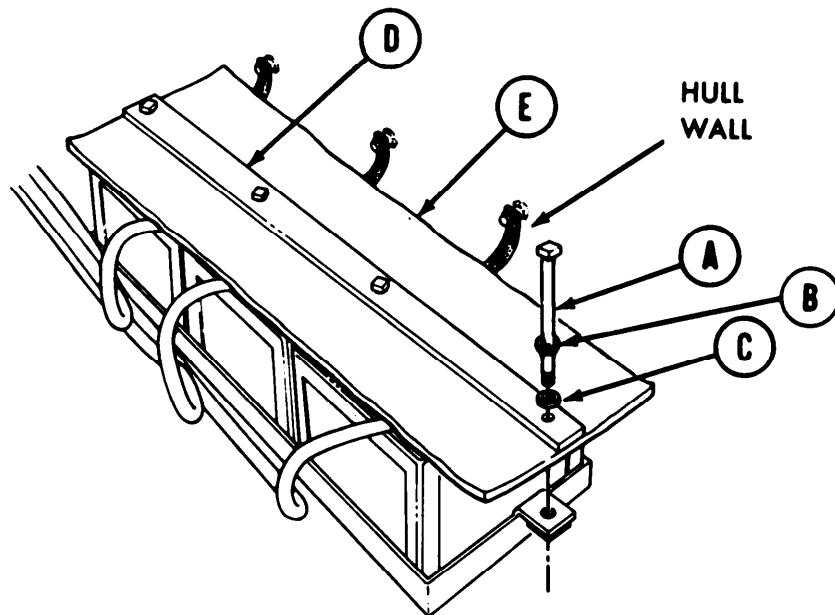
OPERATOR'S  
 COMPARTMENT



Go on to Sheet 2

TA168904

BATTERY AND BATTERY COVER REPLACEMENT (Sheet 2 of 5)



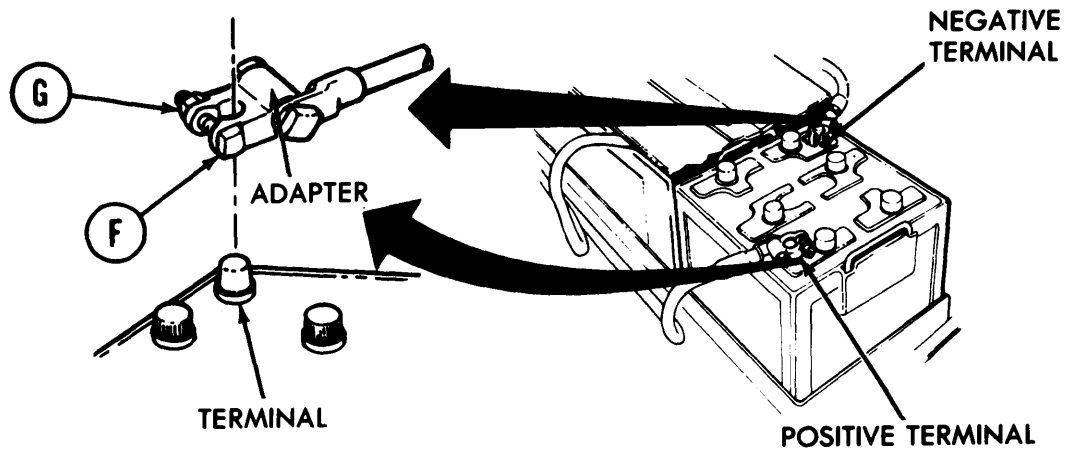
REMOVAL:

1. Using 9/16 inch wrench, remove four machine bolts (A), lockwashers (B), and flat washers (C) securing battery retaining strap (D) and rubber battery cover (E).
2. Remove battery retaining strap (D) and rubber battery cover (E).

Go on to Sheet 3

TA168905

## BATTERY AND BATTERY COVER REPLACEMENT (Sheet 3 of 5)

**WARNING**

**Do not let wrench handle touch hull metal while removing negative battery adapter. Arcing could occur and personnel could be burned.**

3. Holding bolt (F) with 1/2 inch wrench, use other 1/2 inch wrench to loosen nut (G) securing bolt (F) to negative battery adapter.

**CAUTION**

**Do not force negative battery adapter off terminal by prying or hammering.**

4. Slip negative battery adapter off negative battery terminal.
5. Holding bolt (F) with 1/2 inch wrench, use other 1/2 inch wrench to loosen nut (G) securing bolt (F) to positive battery adapter.

**CAUTION**

**Do not force positive battery adapter off terminal by prying or hammering,**

6. Slip positive battery adapter off positive battery terminal.
7. Remove battery.

Go on to Sheet 4

TA168906

**BATTERY AND BATTERY COVER REPLACEMENT (Sheet 4 of 5)**

**CLEANING AND INSPECTION:**

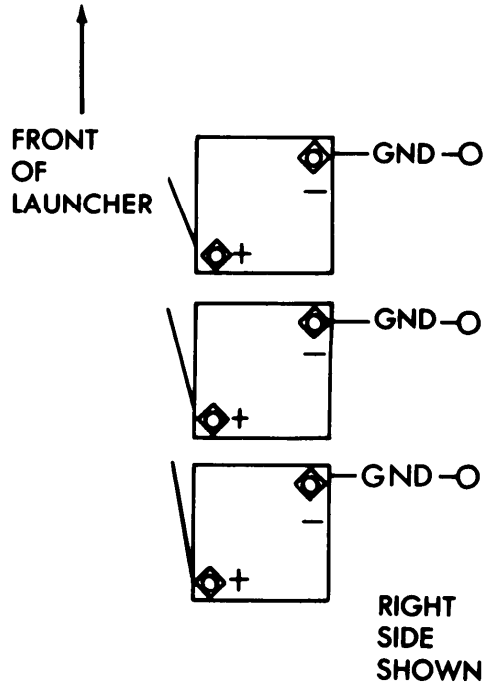
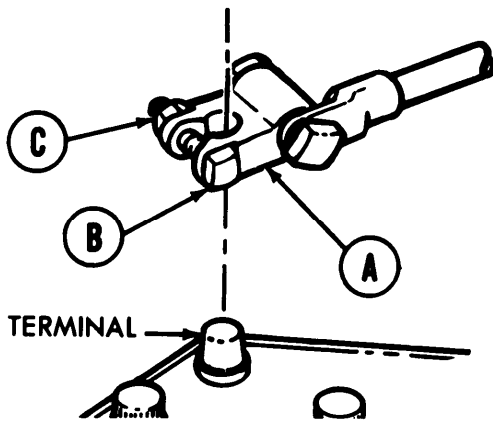
1. Inspect positive and negative adapters and battery terminals for rust and corrosion.
2. Clean positive and negative adapters and battery terminals with stiff brush and solution of water and bicarbonate of soda.
3. Flush cleaned surfaces with clean water.

**INSTALLATION:**

**CAUTION**

**Battery terminals must be positioned as shown.**

1. Position battery on battery support.



**WARNING**

**Do not let wrench handle touch hull metal while installing negative battery adapter (A). Arcing could occur and personnel could be burned.**

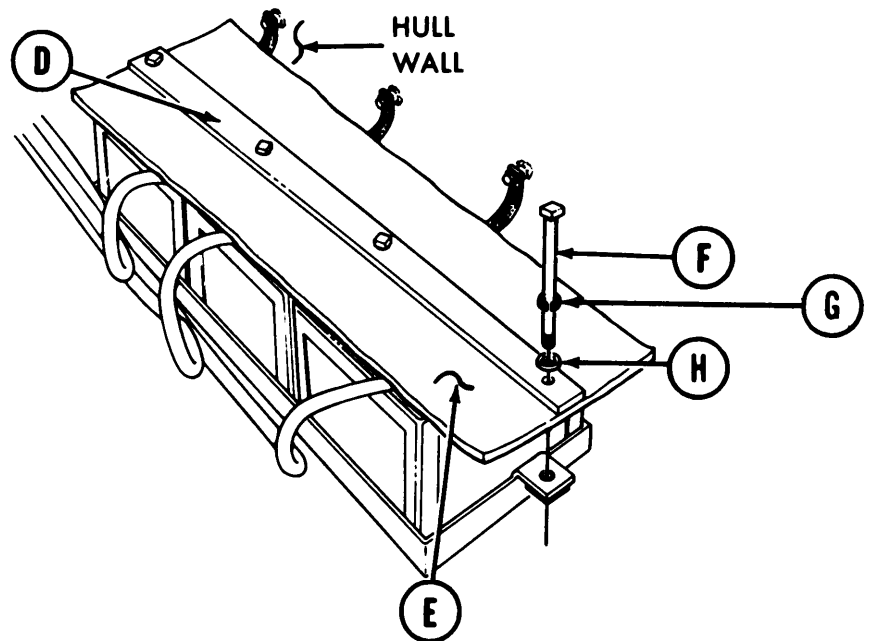
**CAUTION**

**Do not force adapters (A) onto terminals by hammering.**

2. Place negative battery adapter (A) in position on negative battery terminal.
3. Holding bolt (B) with one 1/2 inch wrench, use other 1/2 inch wrench to tighten nut (C) securing adapter (A) to negative battery terminal.
4. Place positive battery adapter (A) in position on positive battery terminal.
5. Holding bolt (B) with one 1/2 inch wrench, use other 1/2 inch wrench to tighten nut (C) securing adapter (A) to positive battery terminal.

Go on to Sheet 5

TA168907

**BATTERY AND BATTERY COVER REPLACEMENT (Sheet 5 of 5)**

6. Place battery retaining strap (D) and rubber battery cover (E) in position on batteries.
7. Using 9/16 inch wrench, install four machine bolts (F), lockwashers (G), and flat washers (H) securing battery retaining strap (D) and rubber battery cover (E).
8. Check batteries for operation (TM 5-5420-226-10).

End of Task

TA168908

BATTERY TESTING (Sheet 1 of 5)

PROCEDURE INDEX

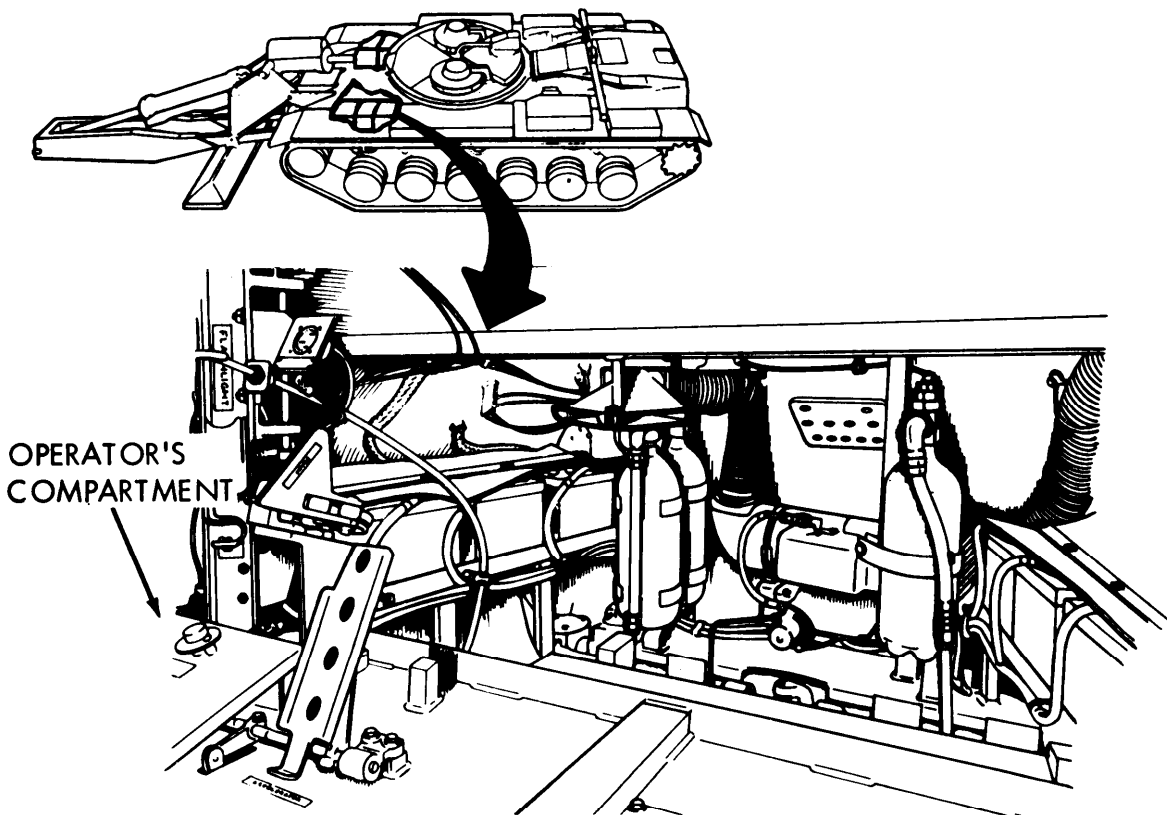
PROCEDURE	PAGE
Testing using Hydrometer	10-258
Testing using Antifreeze and Battery Tester	10-261

TOOLS: Hydrometer or antifreeze and battery tester

SUPPLIES: Pencil  
Paper  
Rags (Item 65, Appendix D)

REFERENCE TM 5-5420-226-10

PRELIMINARY PROCEDURES: Turn MASTER BATTERY switch to OFF (TM 5-5420-226-10)  
Remove rubber battery cover (page 10-254)



Go on to Sheet 2

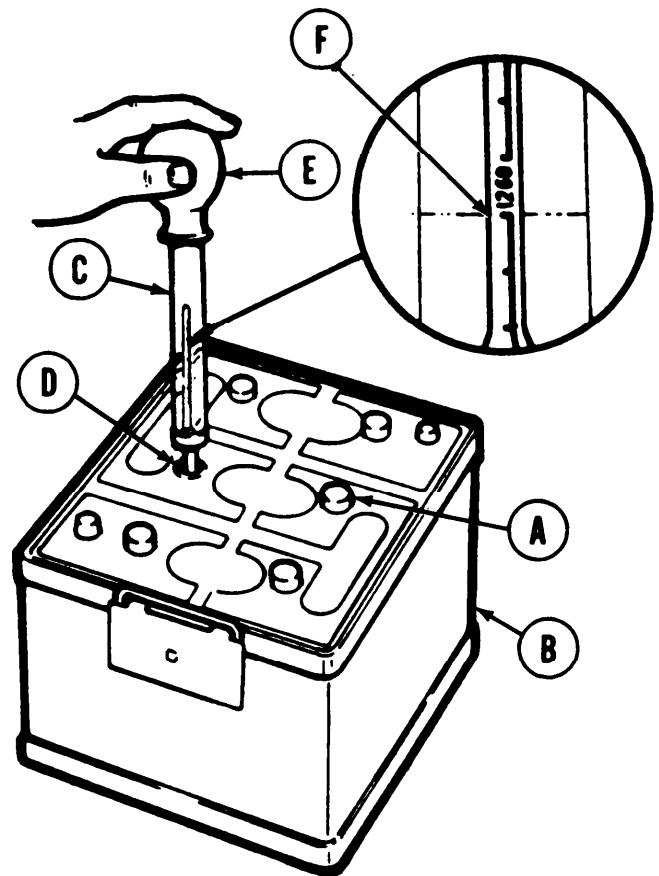
TA168909



**BATTERY TESTING (Sheet 2 of 5)****Testing Using Hydrometer (Sheet 1 of 2)****WARNING**

**Acid fumes and copper sulphate particles will injure eyes and skin. Upon contact, immediately flush contacted area with water and obtain medical attention.**

1. Remove six battery caps (A) from battery (B) to be tested.
2. Place hydrometer (C) through opening (D) into battery cell.



3. Squeeze rubber top (E) of hydrometer (C) and release slowly to suck in electrolyte from battery cell.
4. Suck in enough electrolyte to allow hydrometer float (F) to float freely and not touch top or bottom of glass tube.
5. Read the hydrometer (F) markings at eye level.
6. Using pencil and paper, write down temperature and specific gravity readings.
7. Repeat steps 2 through 6 above for each of five remaining battery cells.

Go on to Sheet 3

TA168910

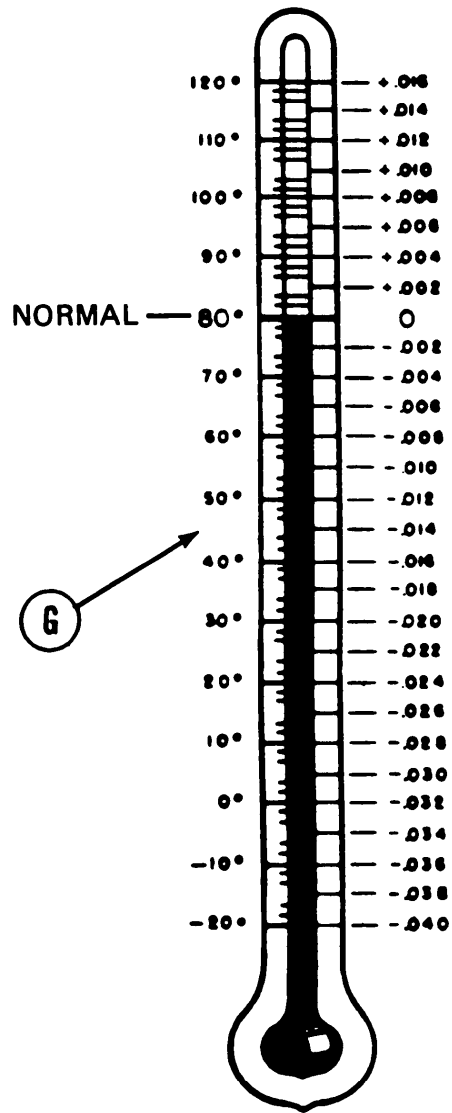
**BATTERY TESTING (Sheet 3 of 5)**

**Testing Using Hydrometer (Sheet 2 of 2)**

8. Using correction chart (G), correct readings recorded in step 6 to 80°F.

Example: Hydrometer shows 1.280 specific gravity. Electrolyte temperature is 0°F. Using correction chart (G), note that for electrolyte temperature of 0° F, 0.032 is to be subtracted from hydrometer reading. Therefore, corrected reading is:  $1.280 - 0.032 = 1.248$ .

9. Using pencil and paper, add all six corrected readings together and divide by 6 to find the average reading for the battery.
10. If average reading for battery is below 1.225, charge battery (TM 5-5420-226-10).
11. If any two of six readings for battery are not within 0.025 of each other, replace battery (page 10-253).
12. Replace rubber battery cover (page 10-256).
13. Turn MASTER BATTERY switch to ON (TM 5-5420-226-10).



End of Task

**BATTERY TESTING (Sheet 4 of 5)****Testing Using Antifreeze and Battery Tester (Sheet 1 of 2)****WARNING**

**Acid fumes and copper sulphate particles will injure eyes and skin. Upon contact, immediately flush contacted area with water and obtain medical attention.**

1. Open plastic cover (A) of antifreeze and battery tester (B).
2. Clean measuring window (C) and plastic cover (A) with clean soft cloth and dry thoroughly.
3. Remove rubber battery cover (page 10-254).

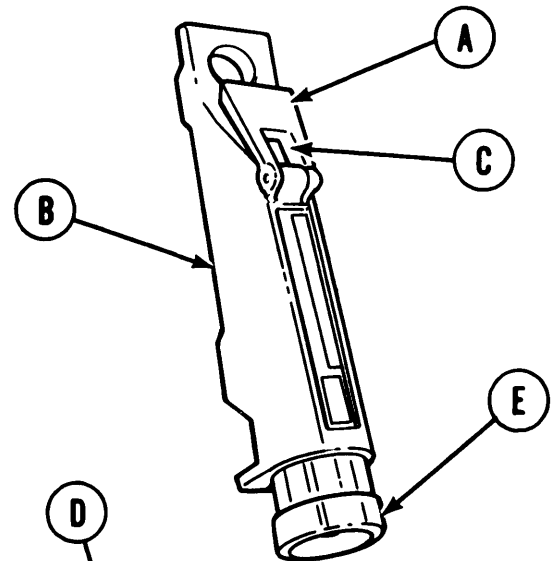
**NOTE**

**Measuring surface (A and C) must be cleaned before each reading. Do not add water to battery before test.**

4. Remove six battery caps from battery to be tested.

Using black dip stick (D), take sample of electrolyte from one battery cell.

6. Place a few drops of electrolyte on measuring window (C) through opening of cover (A).
7. Point tester (B) toward any bright light while looking through eye piece (E).



Go on to Sheet 5

TA168912

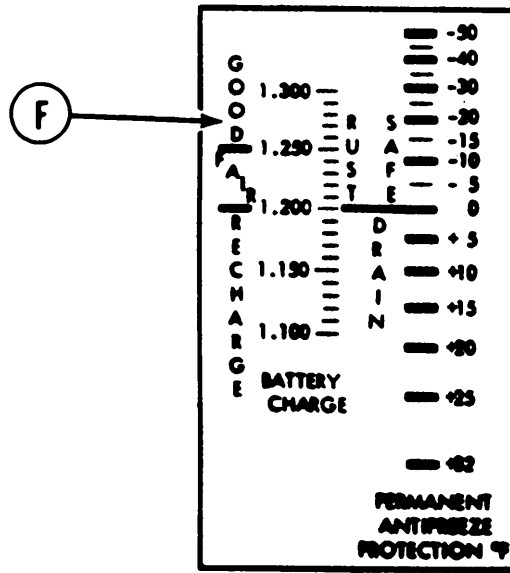
**BATTERY TESTING (Sheet 5 of 5)**

**Testing Using Antifreeze and Battery Tester (Sheet 2 of 2)**

8. Read specific gravity on left scale (F) at point where dividing line between light and dark (edge of shadow) crosses scale.

**NOTE**

**If edge of shadow is not sharp, measuring surfaces were not sufficiently cleaned or dried. Clean measuring surfaces and make new test.**



9. Using pencil and paper, write down reading.
10. Repeat steps 4 through 9 for remaining five battery cells.
11. Using pencil and paper, add all six readings together and divide by 6 to find the average reading for the battery.
12. If average reading for battery is below 1.225, charge battery (TM 5-5420-226-10).
13. If any two of six readings for battery are not within 0.025 of each other, replace battery (page 10-253).
14. Replace rubber battery cover (page 10-256).

End of Task

TA168913

**BATTERY GROUND STRAP REPLACEMENT (Sheet 1 of 5)**

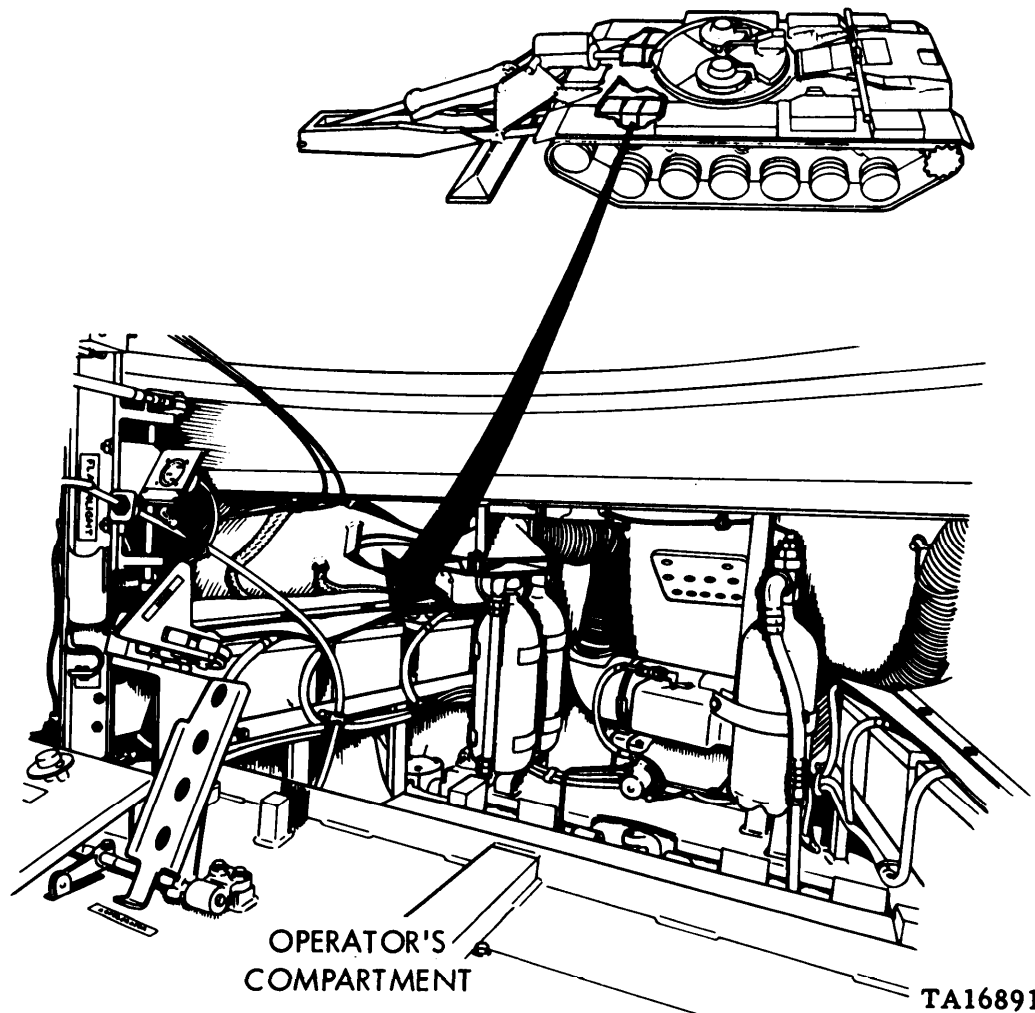
PROCEDURE INDEX

PROCEDURE	PAGE
Removal	10-263
Cleaning and Inspection	10-265
Installation	10-266

TOOLS: 9/16 in. combination box and open end wrenches (2 required)

SUPPLIES: Grease (Item 37, Appendix D)  
 Rags (Item 65, Appendix D)  
 Steel wool (Item 56, Appendix D)

REFERENCE: TM 5-5420-226-10



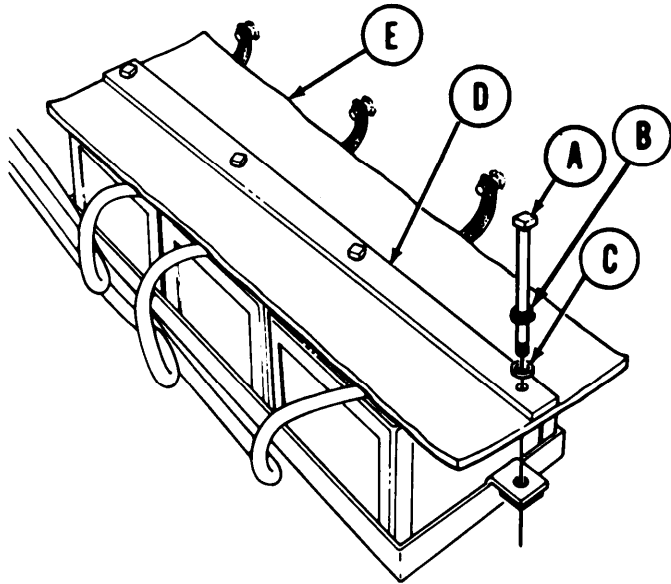
Go on to Sheet 2

TA168914

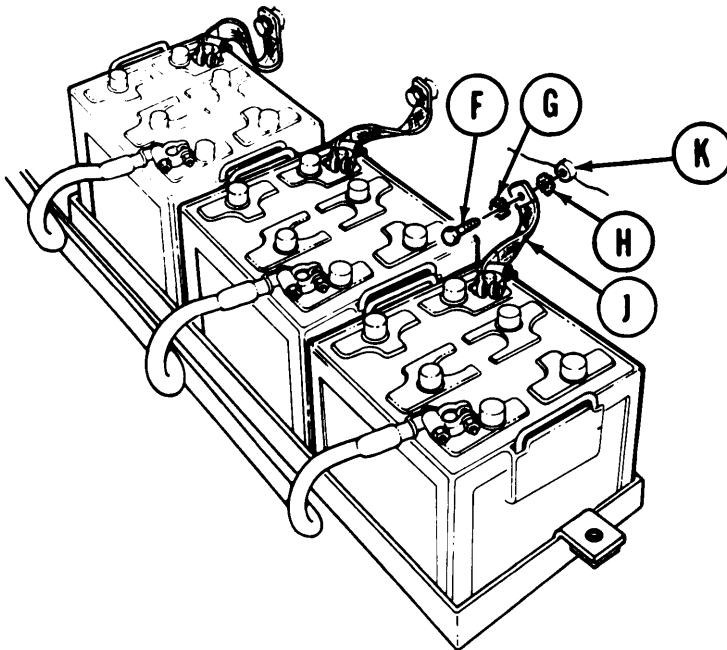
BATTERY GROUND STRAP REPLACEMENT (Sheet 2 of 5)

REMOVAL:

1. Using wrench, remove four machine bolts(A), lockwashers (B), and flat washers (C) securing battery retaining strap (D) and rubber battery cover (E).
2. Remove battery retaining strap (D) and rubber battery cover (E).



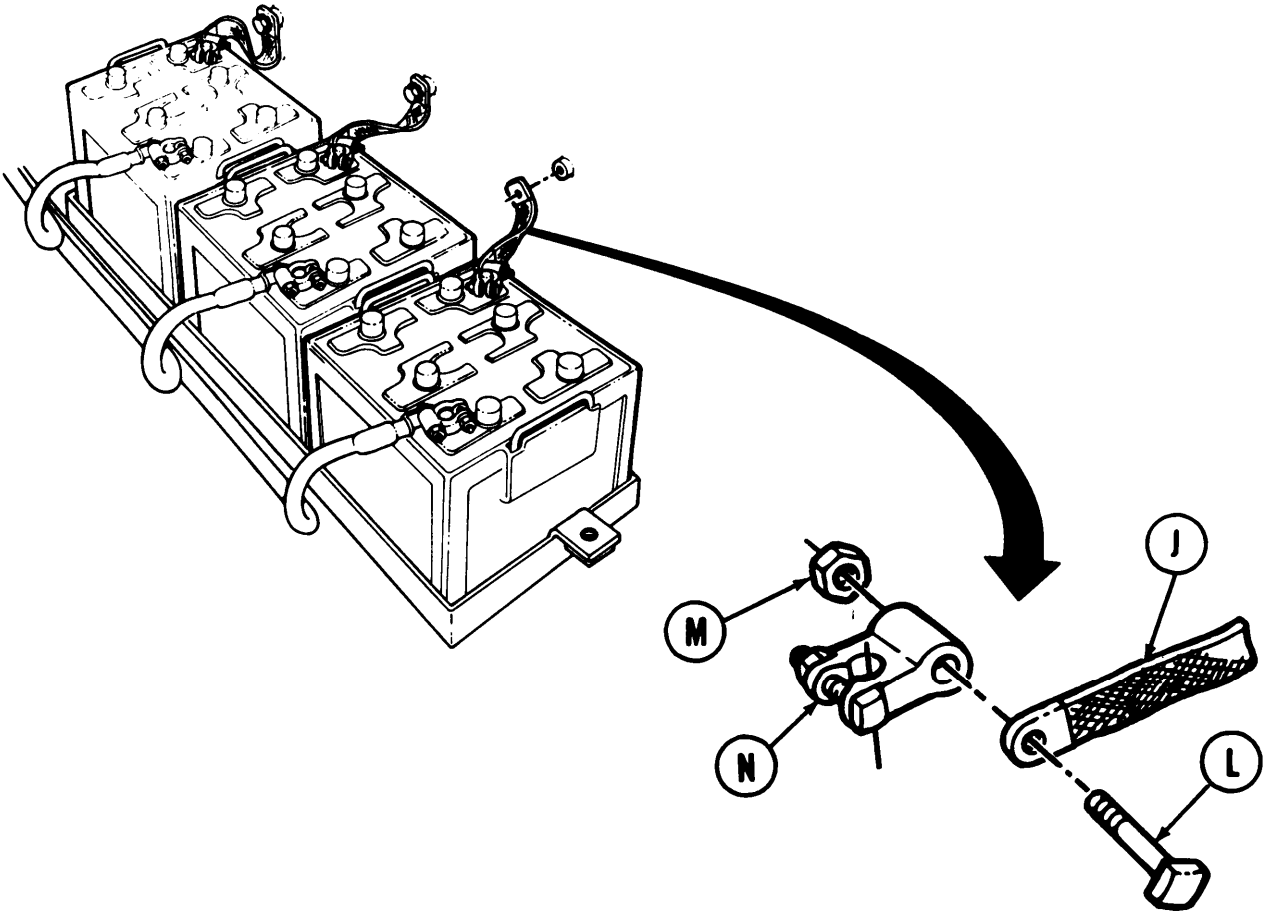
3. Using wrench, remove screw (F), lockwasher (G), and lockwasher (H) securing battery ground strap (J) to hull wall (K).



Go on to Sheet 3

TA168915

## BATTERY GROUND STRAP REPLACEMENT (Sheet 3 of 5)



4. Holding bolt (L) with one wrench, use other wrench to remove nut (M) securing battery ground strap (J) to negative battery terminal lug (N).
5. Remove battery ground strap (J).

## CLEANING AND INSPECTION:

1. Inspect contact points on negative battery terminal lug, hull wall, and replacement, battery ground strap for rust and corrosion.
2. Using steel wool, clean contact points on negative battery terminal, hull wall, and replacement battery ground strap until they shine.

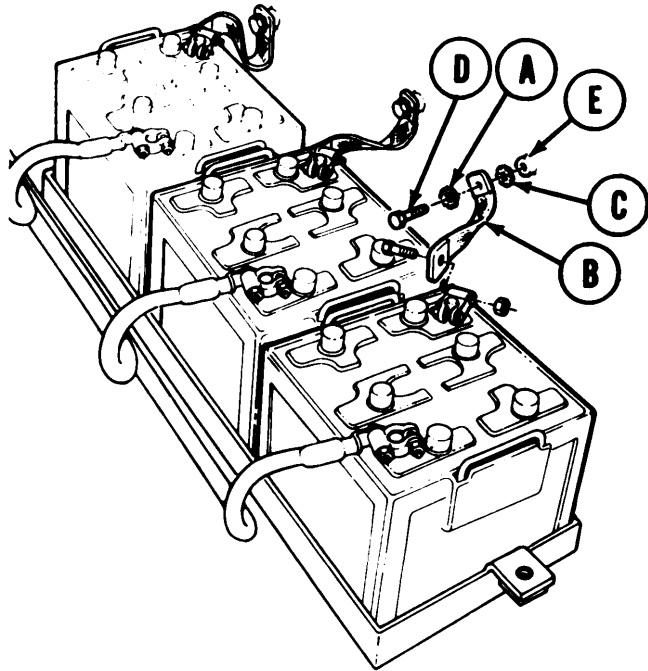
Go on to Sheet 4

TA168916

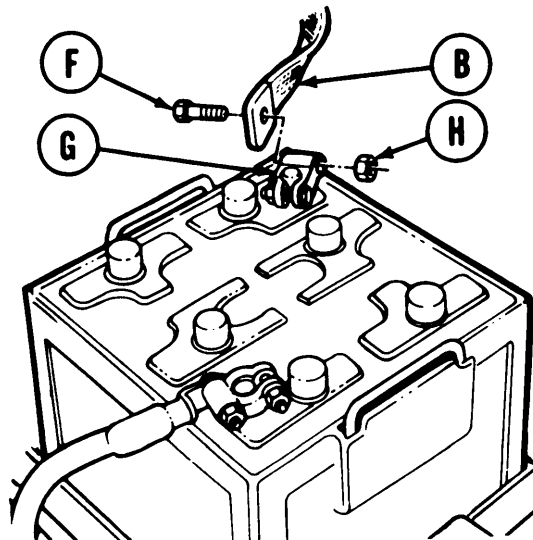
**BATTERY GROUND STRAP REPLACEMENT (Sheet 4 of 5)**

**INSTALLATION:**

1. Place lockwasher (A), battery ground strap (B), and lockwasher (C) in position on cap screw (D).
2. Using wrench, install cap screw (D) with lockwasher (A), battery ground strap (B), and lockwasher (C) in position on hull wall (E).



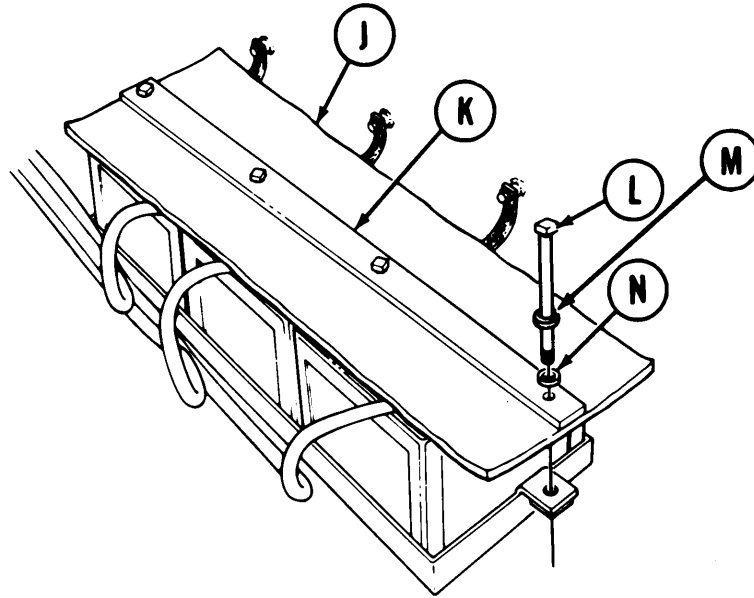
3. Place bolt (F) and other end of battery ground strap (B) in position on negative battery terminal lug (G).
4. Holding bolt (F) with one wrench, use other wrench to install nut (H) securing bolt (F) and battery ground strap (B) to negative battery terminal lug (G).
5. Add small amount of grease to negative battery terminal lug (G) to prevent corrosion



Go on to Sheet 5

TA168917



**BATTERY GROUND STRAP REPLACEMENT (Sheet 5 of 5)**

6. Place rubber battery cover (J) and retaining strap (K) in position on batteries.
7. Using wrench, install four machine bolts (L), lockwashers (M), and flat washers (N) securing rubber battery cover (J) and retaining strap (K).
8. Check batteries for operation (TM 5-5420-226-10).

End of Task

TA168918

**DISCONNECT BATTERY GROUND STRAPS (Sheet 1 of 1)**

TOOLS: 9/16 in. socket with 1/2 in. drive  
Ratchet  
5 in. extension with 1/2 in. drive

SUPPLIES: Rag, wiping (Item 65, Appendix D)  
Rubber gloves (Item 72, Appendix D)  
Goggles (Item 71, Appendix D)

**WARNING**

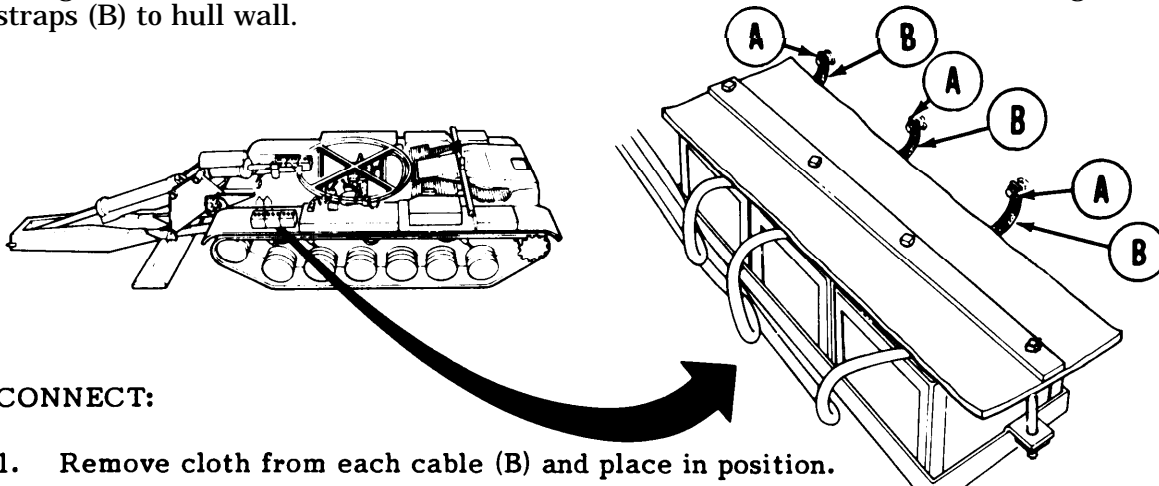
- Remove all jewelry such as ring, watches, dog tags, bracelets, etc. If jewelry or disconnected battery ground cable contacts battery terminal, a direct short can result, causing instant heating of jewelry and tools, severe injury to personnel, or damage to equipment.
- Battery acid (electroyte) is extremely harmful. Always wear safety goggles and rubber gloves, and don't smoke while servicing batteries. Severe injury will result if acid contacts eyes or skin.

**CAUTION**

As each cable is removed, cover cable with rags to prevent contact with floor or battery box, which may cause arcing.

DISCONNECT:

Using socket with extension, remove three screws and six washers (A) securing three ground straps (B) to hull wall.



CONNECT:

1. Remove cloth from each cable (B) and place in position.
2. Using socket with extension, install three screws and washers (A) securing cables (B) to hull floor.

End of Task

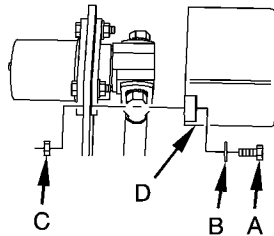
## HEU SLAVE RECEPTACLE COVER REPLACEMENT

TOOLS: 7/16 inch open and closed end wrench  
Ratchet with 1/2 in. drive

7/16 in. socket with 1/2 in. drive  
5 inch extension

### REMOVAL

1. Using 7/16 inch socket and ratchet, and 7/16 inch wrench remove 2 screws (A) washers (B) and nuts (C) from slave receptacle cover (D).
2. Remove slave receptacle cover (D).



### INSTALLATION:

1. Using 7/16 inch socket and ratchet, and 7/16 inch wrench install slave receptacle cover (D) 2 screws (A) washers (B) and nuts (C).

End of Task

## HEU SLAVE RECEPTACLE GROUND STRAP REPLACEMENT

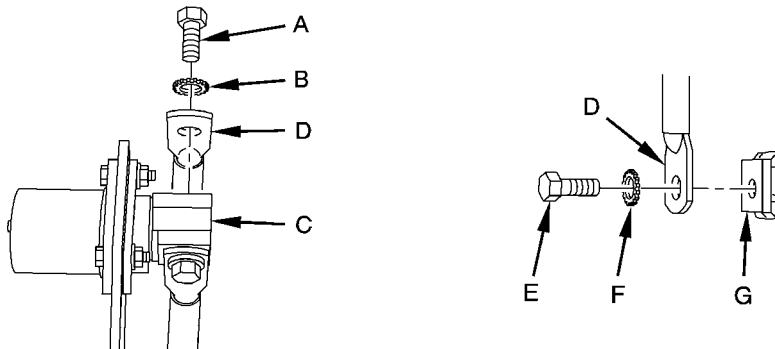
TOOLS: 9/16 in. open and closed end wrench

SUPPLIES: Lockwashers

PRELIMINARY PROCEDURES: Disconnect three battery ground straps (page 10-268)  
Remove slave receptacle cover (page 10-268.1)

### REMOVAL

1. Using 9/16 inch wrench remove screw (A) and lock washer (B) from slave receptacle (C) and slave receptacle ground strap (D) (CKT 49).
2. Using 9/16 inch wrench remove screw (E) and lock washer (F) from hull (G) and slave receptacle ground strap (D) (CKT 49).



### INSTALLATION:

1. Using 9/16 inch wrench install screw (E) and lock washer (F) thru slave receptacle ground strap (D) (CKT 49) into hull (G).
2. Using 9/16 inch wrench install screw (A) and lock washer (P) thru slave receptacle ground strap (D) (CKT 49) into slave receptacle (C).
3. Install slave receptacle cover (page 10-268.1).
4. Connect three battery ground straps (page 10-268).

End of Task

**HEU SLAVE RECEPTACLE REPLACEMENT (Sheet 1 OF 2)**

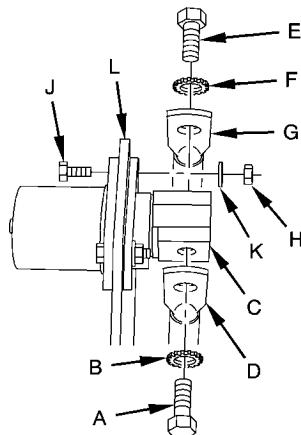
**TOOLS:** 9/16 inch  $V_i$  inch drive socket  
 9/16 inch open and closed end wrench  
 7/16 inch open and closed end wrench  
 $V_i$  inch drive ratchet  
 7/16 inch  $V_i$  inch drive socket

**SUPPLIES:** Lockwashers

**PRELIMINARY PROCEDURES:** Disconnect three battery ground straps (page 10-268)  
 Remove slave receptacle cover (page 10-268.1)

**REMOVAL:**

1. Using 9/16 inch wrench remove screw (A) and lockwasher (B) from slave receptacle (C) and main power wiring harness (D) (CKT 50).
2. Using 9/16 inch wrench remove screw (E) and lock washer (F) from slave receptacle (C) and Ground wire (G) (CKT 49).
3. Holding nuts (H) with 7/16 inch wrench use 7/16 inch socket and ratchet to remove screws (J) and lockwashers (K) from mounting plate (L).
4. Remove slave receptacle (C) from mounting plate (L).



**INSTALLATION:**

1. Install slave receptacle (C) into mounting plate (L).
2. Insert four screws (J) thru mounting plate (L) and slave receptacle (C).
3. Manually install new lockwashers (K) and nuts (H) onto screws (J).
4. Holding nuts (H) with 7/16 inch wrench use 7/16 inch socket and ratchet to tighten screws (J) to mounting plate (L).
5. Using 9/16 inch wrench install screw (E) and new lockwasher (F) thru ground wire (G) (CKT 49) into slave receptacle (C).
6. Using 9/16 inch wrench install screw (A) and new lockwasher (B) thru main power wiring harness (D) (CKT 50) into slave receptacle (C).

Go to Next Page

**HEU SLAVE RECEPTACLE REPLACEMENT (Sheet 2 of 2)**

7. Install slave receptacle cover (page 10-268.1).
8. Connect three battery ground straps (page 10-268).

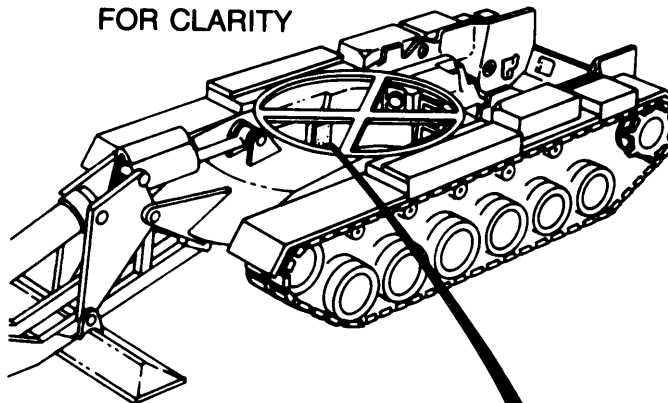
End of Task

**BULKHEAD CABLE DISCONNECT (Sheet 1 of 2)**

**TOOLS:** Spanner wrench  
 Flat-tip screwdriver  
 9/16 in. socket with 1/2 in. drive  
 Ratchet with 1/2 in. drive

**PRELIMINARY PROCEDURES:** Remove three ground straps from battery negative terminals (page 10-268)  
 Remove commander's seat (page 17-78)  
 Remove right bulkhead access cover (page 17-2)

**QUADRANTS REMOVED FOR CLARITY**

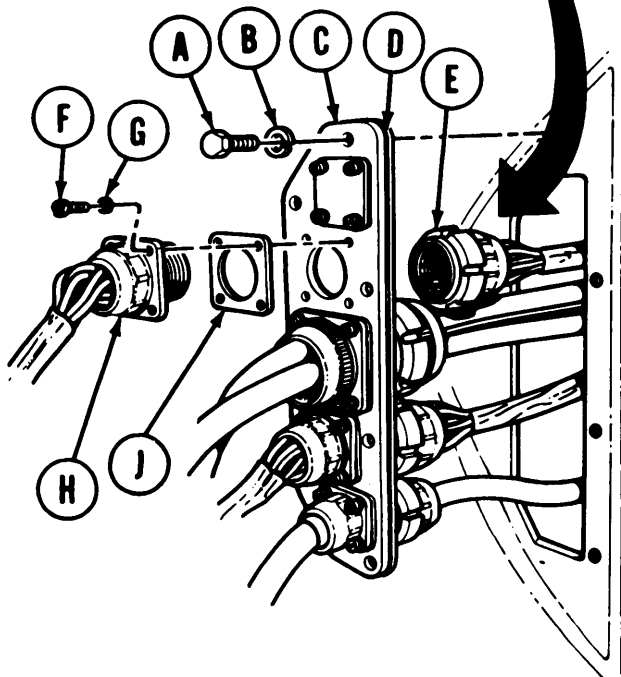


**REMOVAL:**

1. Using 9/16 inch socket remove seven screws (A) and lockwashers (B) securing connector cover plate (C) to bulkhead.
2. Pull connector plate cover (C) and its gasket (D) away from bulkhead. Harness assemblies inside bulkhead will come with cover plate (C) since they are attached to it.

**NOTE**

**To remove either of the two middle connectors on the cover plate, you must first remove either the top or bottom connector, as required, to get a spanner wrench on the desired connector.**



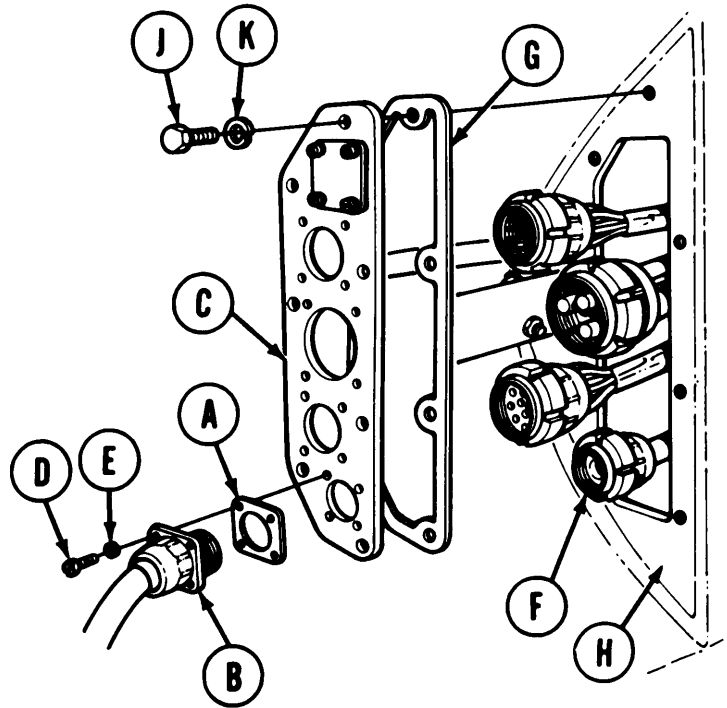
3. Using spanner wrench, disconnect and remove connector (E) at back side of cover plate (C).
4. Using flat-tip screwdriver, remove four screws (F) and lockwashers (G) securing corresponding connector (H) and gasket (J) at front side of cover plate (C).

Go on to Sheet 2

TA168920

**NOTE**

**Bulkhead connectors are installed in consecutive order from either bottom to top or from top to bottom or the middle connectors must be installed first, then the top or bottom connectors. The instructions below are for installation of the bottom connector first. Installation procedures are the same for all the other connectors.**



**INSTALLATION:**

1. Place gasket (A) on connector (B).
2. Make sure key way inside connector (B) is at top. Place connector (B) and gasket (A) in position on cover plate (C).
3. Using flat-tip screwdriver, install four screws (D) and lockwashers (E) securing connector (B) and gasket (A) to cover plate (C).
4. Using fingers, install connector (F) on connector (B).
5. When connector (F) is finger tight, use spanner wrench to finish tightening.
6. Install succeeding connectors in consecutive order in same manner.
7. After all connectors are installed, place cover plate (C) and gasket (G) in position on bulkhead (H).
8. Using 9/16 inch socket, install seven screws (J) and lockwashers (K) to secure cover plate (C) to bulkhead (H).
9. Install right bulkhead access cover (page 17-3).
10. Install commander's seat (page 17-79).
11. Connect three ground straps at batteries (page 10-268).

End of Task

TA168921

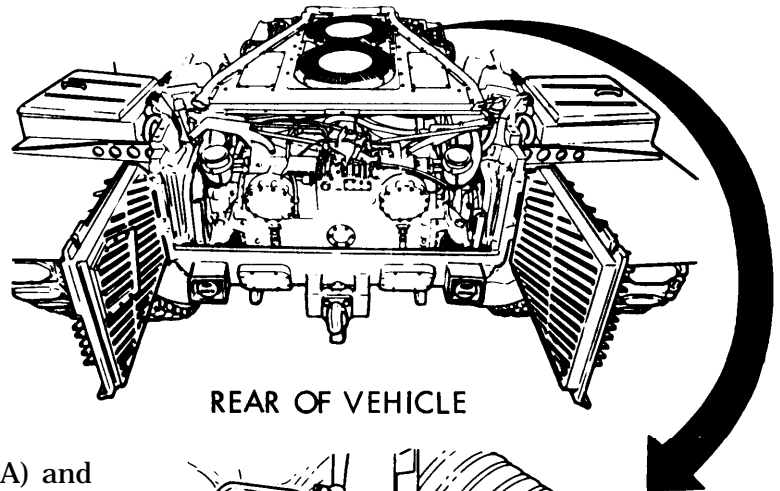


**RIGHT SIDE ENGINE DISCONNECT GROUND LEAD ASSEMBLY REPLACEMENT (Sheet 1 of 1)**

**TOOLS:** 9/16 in. socket with 1/2in. drive  
 Ratchet with 1/2in. drive  
 Spanner wrench

**REFERENCE:** TM 5-5420-226-10

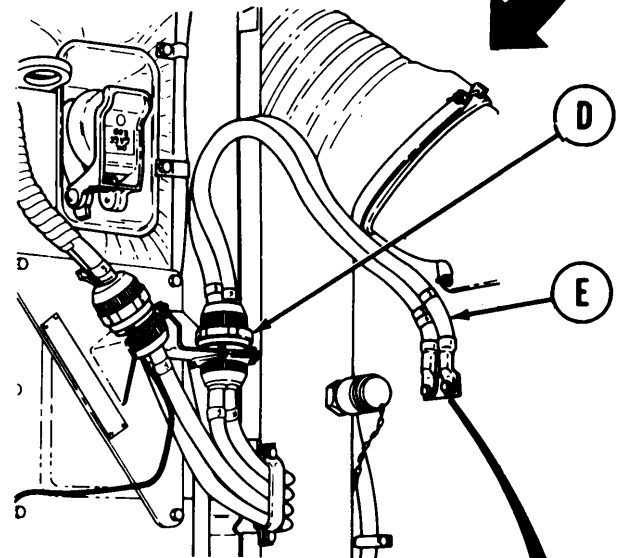
**PRELIMINARY PROCEDURE:** Open top right engine grille doors (TM 5-5420-226-10)



REAR OF VEHICLE

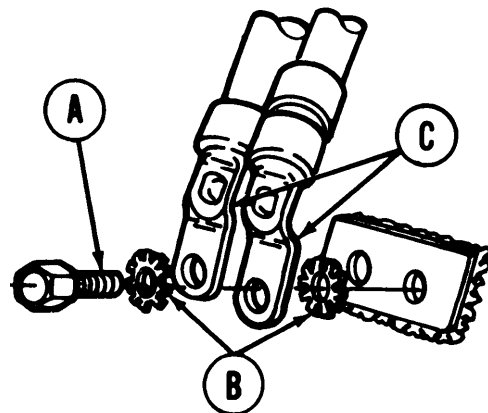
**REMOVAL:**

1. Using socket, remove two screws (A) and four lockwashers (B) securing two ground lead terminals (C) to hull wall.
2. Using spanner wrench, remove electrical connector (D) from engine.
3. Remove ground lead assembly (E).



**INSTALLATION:**

1. Using spanner wrench, install electrical connector (D) to engine.
2. Place two ground lead terminals (C), four lockwashers (B), and two screws (A) in position on hull wall.
3. Using socket, tighten two screws (A).
4. Close top right engine grille doors (TM 5-5420-226-10).

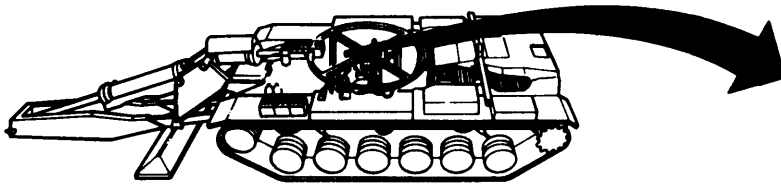


End of Task

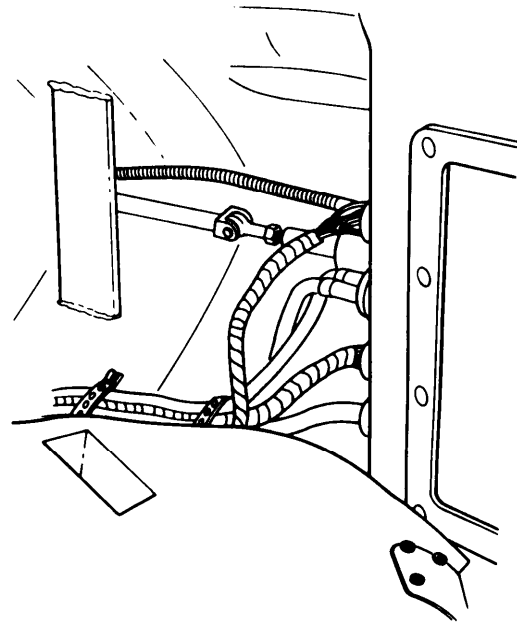
TA168922

RECEPTACLE MOUNTING PLATE AND GASKET REPLACEMENT (Sheet 1 of 2)

TOOLS: Flat-tip screwdriver  
9/16 in socket with 1/2 in. drive  
Ratchet with 1/2 in. drive  
5 in. extension with 1/2 in. drive  
Spanner wrench

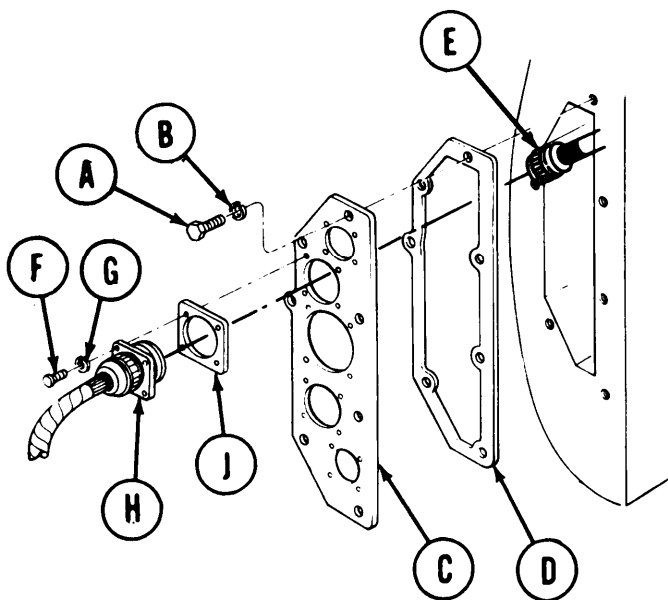


QUADRANTS REMOVED FOR CLARITY



REMOVAL:

1. Using socket with extension, remove seven screws (A) and lockwashers (B) securing mounting plate (C) and gasket (D) to bulkhead.
2. Pull mounting plate (C) away from bulkhead.
3. Using spanner wrench, disconnect four connectors (E).



4. using screwdriver, remove 16 screws (F) and lockwashers (G) securing four receptacles (H) and gaskets (J) to mounting plate (C).
5. Remove four receptacles (H) and gaskets (J).
6. Remove gasket (D) from mounting plate (C).

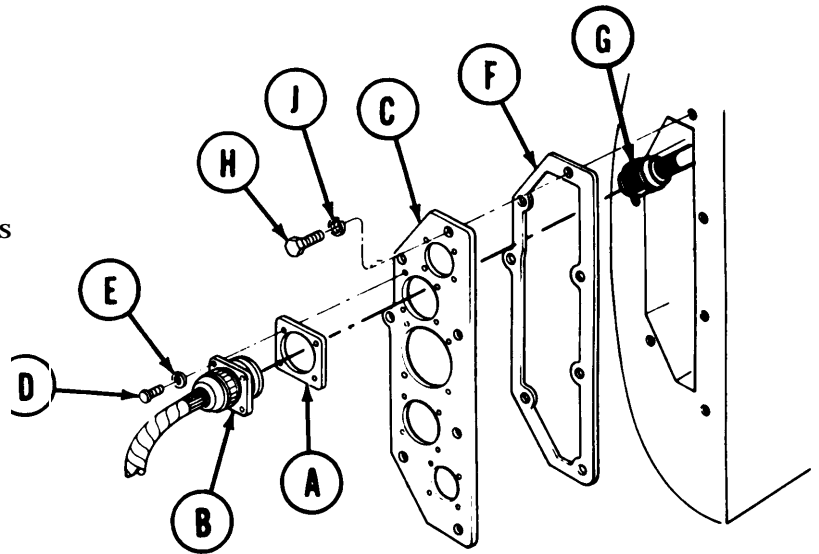
Go on to Sheet 2

TA168923

**RECEPTACLE MOUNTING PLATE AND GASKET REPLACEMENT (Sheet 2 of 2)**

INSTALLATION:

1. Place four gaskets (A) and receptacles (B) in position on mounting plate (C)
2. Using screwdriver, install 16 screws(D) and lockwashers (E) securing four receptacles (B) and gaskets (A) to mounting plate (C).
3. Place gasket (F) on mounting plate (c)
4. Using spanner wrench, connect four connectors (G).
5. Position mounting plate (C) and gasket (F) to bulkhead.
6. Using socket and extension, install seven screws (H) and lockwashers (J) attaching mounting plate (C) and gasket (F) to bulkhead.



End of Task

PROCEDURE INDEX

PROCEDURE	PAGE
Removal	10-274
Installation	10-277

TOOLS: Ratchet with 1/2 in. drive  
 5 in. extension with 1/2 in. drive  
 7/16 in. socket with 1/2 in. drive  
 3/4 in. combination box and open end wrench  
 3/8 in. combination box and open end wrench  
 Diagonal pliers  
 Flat-tip screwdriver

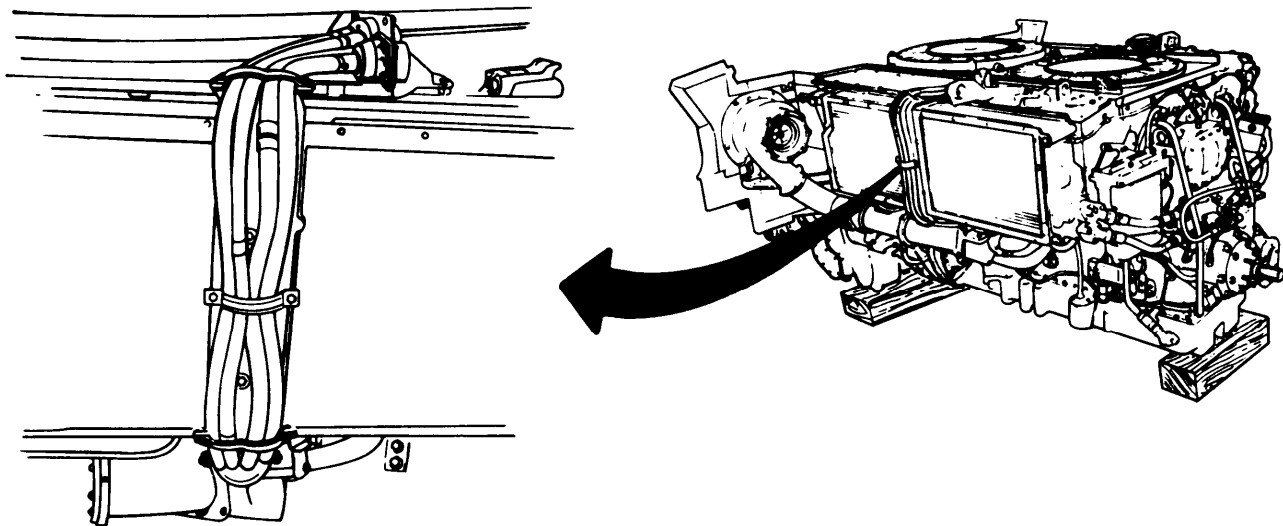
1/2 in. socket with 1/2 in. drive  
 7/16 in. combination box and open end wrench

SPECIAL TOOLS: Ground hop kit (Item 30, Chapter 3, Section I)

SUPPLIES: Glyptol (Item 39, Appendix D)  
 Rags (Item 65, Appendix D)  
 Cable ties (as required)

REFERENCES: TM 9-2350-257-10 (Series)

PRELIMINARY PROCEDURE: Remove powerplant (page 5-2)  
 Remove engine shroud (page 9-30)



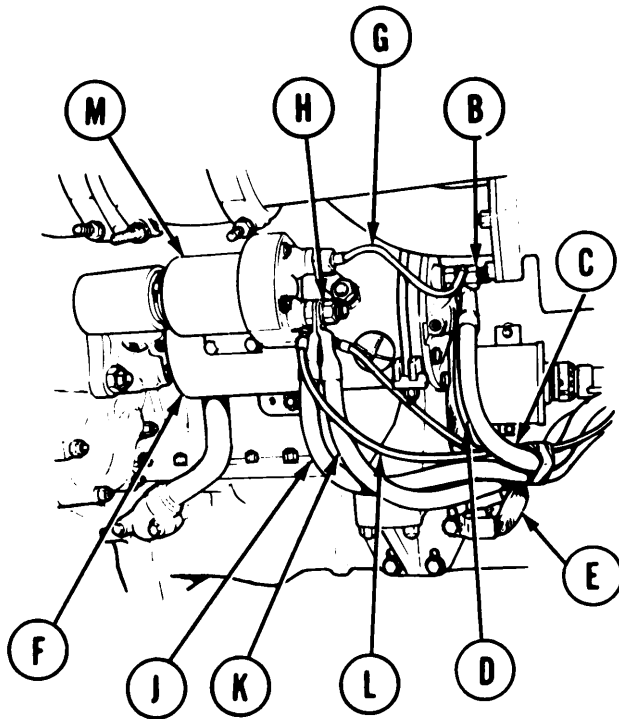
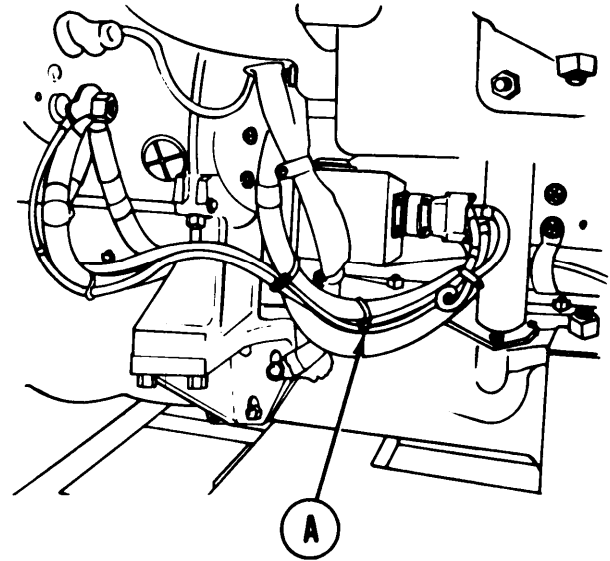
Go on to Sheet 2

TA168925

ENGINE STARTER WIRING HARNESSES REPLACEMENT (Sheet 2 of 7)

REMOVAL:

1. Using diagonal pliers, cut all cable ties (A).



2. Using 3/4 inch wrench, remove nut and lockwasher (B). Remove heavy cable (C) and (D) and ground strap (E) from starter (F). Do not remove small cable (G).
3. Using 3/4 inch wrench, remove nut and lockwasher (H). Remove heavy cables (J) and (K) and light cable (L) from solenoid relay (M).

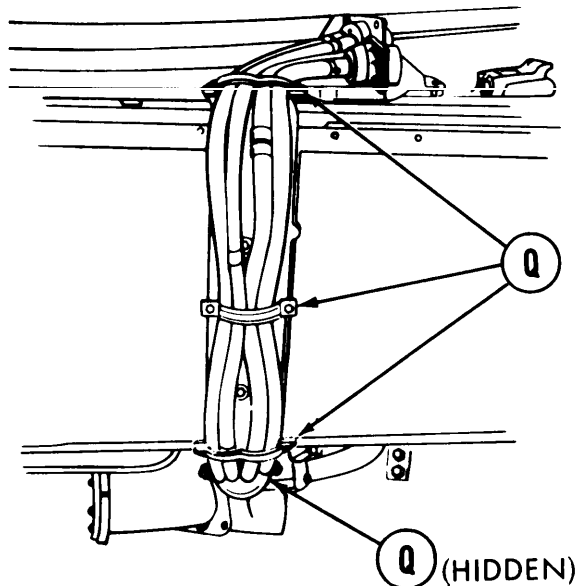
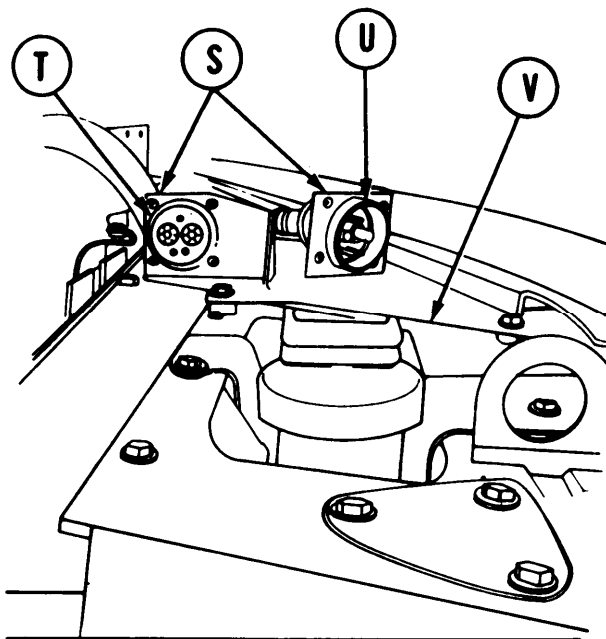
4. Using 1/2 inch socket and extension, remove screws (N) from cable clamps (P). Remove cable clamps.

Go on to Sheet 3

TA168926

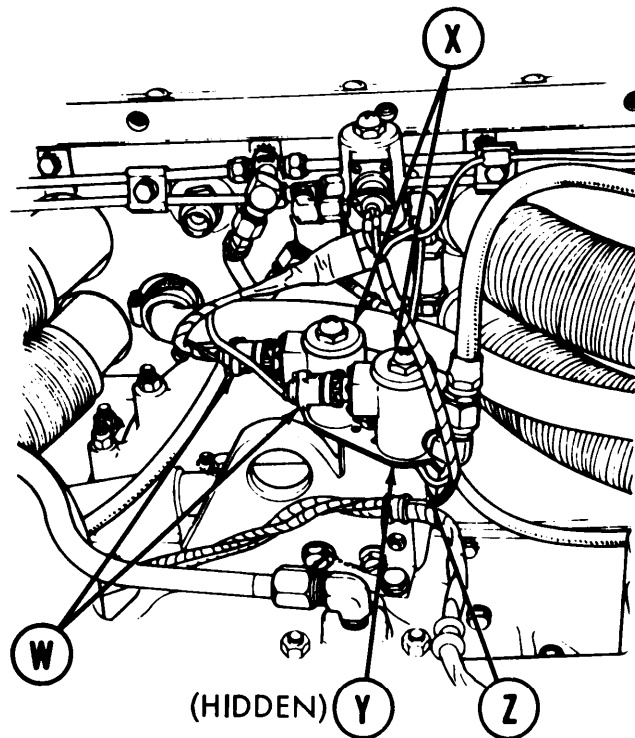
ENGINE STARTER WIRING HARNESS REPLACEMENT (Sheet 3 of 7)

5. Using 7/16 inch socket, remove eight screws and four clamps (Q).



6. Using flat-tip screwdriver and 3/8 inch wrench remove eight screws, lockwashers, and nuts (S). Remove electrical connectors (T) and (U) from connector bracket (V).

7. Disconnect electrical connectors (W) from engine smoke generator solenoid (X).
8. Using 7/16 inch wrench to hold screw and 7/16 inch socket on nut, remove nut and screw (Y) and remove ground wire (Z) from bracket.
9. Remove cables from engine.



Go on to Sheet 4

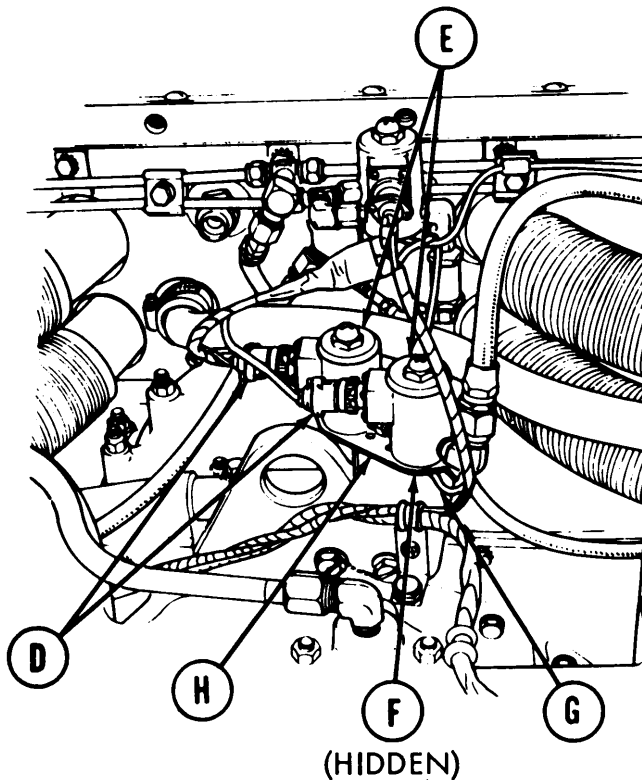
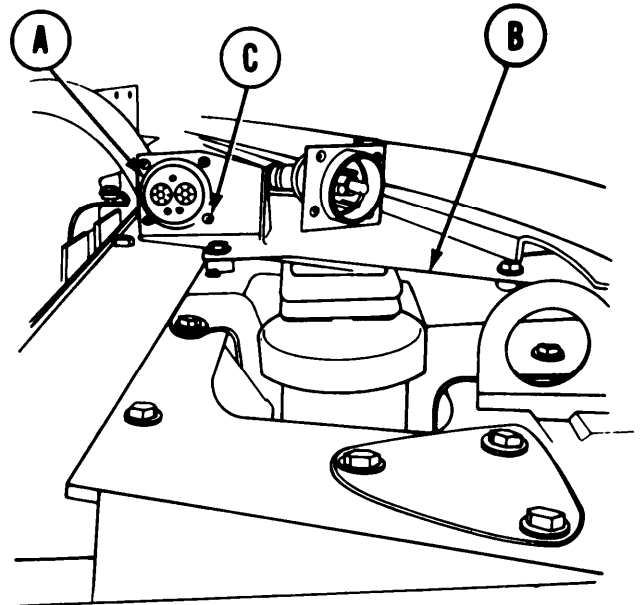
ENGINE STARTER WIRING HARNESSES REPLACEMENT (Sheet 4 of 7)

INSTALLATION:

NOTE

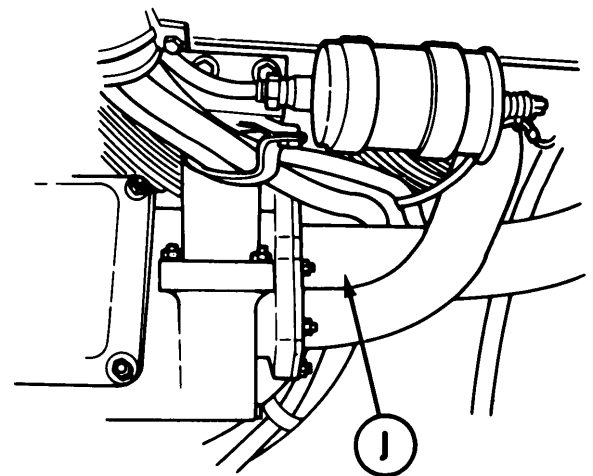
Note polarization. Two small holes go on bottom.

- Using flat-tip screwdriver and 3/8 inch wrench, secure female connector (A) to bracket (B) using four screws, lockwashers, and nuts (C).



- Manually connect electrical connectors (D) to engine smoke generator solenoids (E).
- Using 7/16 inch wrench and 7/16 inch socket, install nut and screw (F) to secure ground wire (G) to bracket (H).

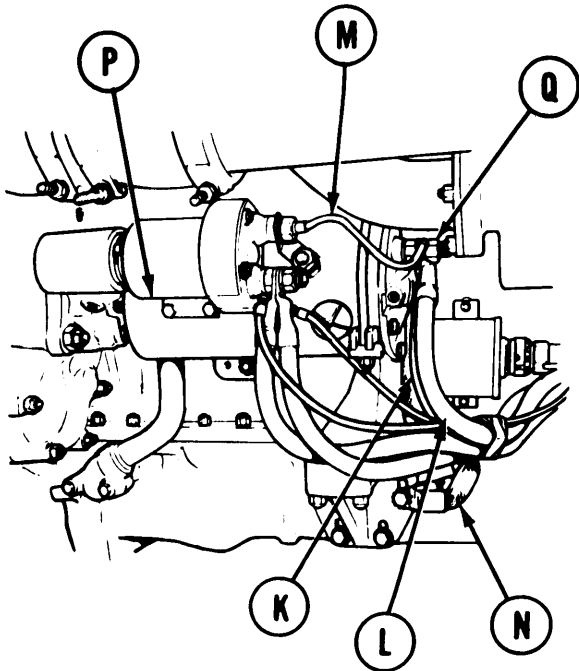
- Feed female connector cables between exhaust manifold (J) and engine.



Go on to Sheet 5

TA168928

ENGINE STARTER WIRING HARNESSES REPLACEMENT (Sheet 5 of 7)

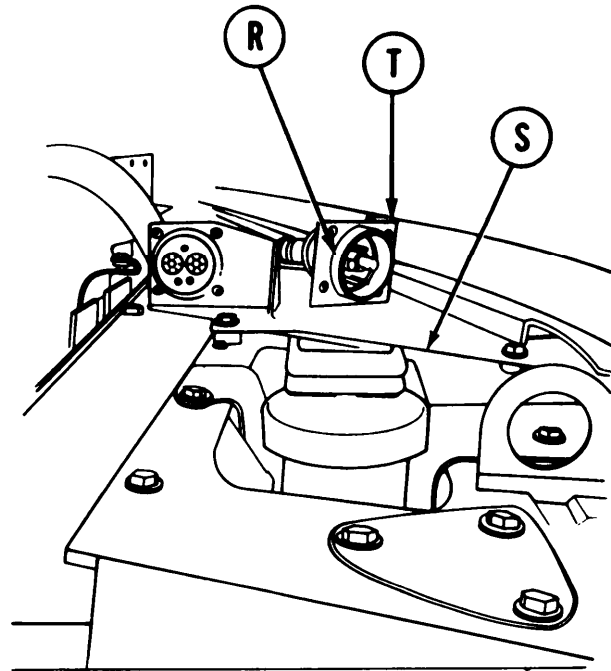


5. Using 3/4 inch wrench, secure female connector cables (K) and (L), light cable (M), and ground cables (N) to starter (P) with nut and lockwasher (Q).

NOTE

Note polarization. Single male prong goes on top.

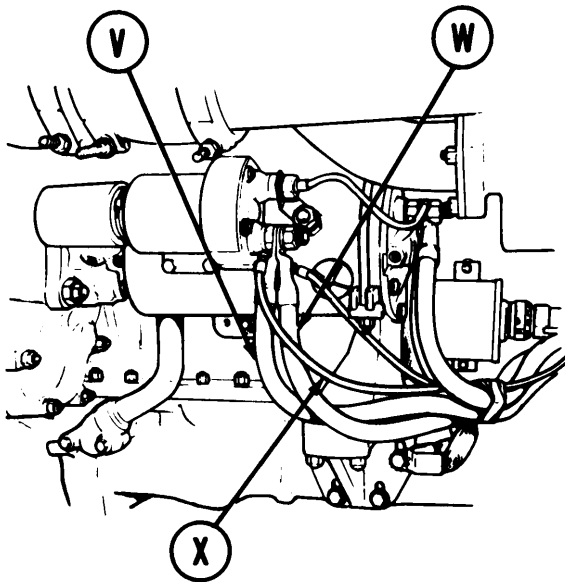
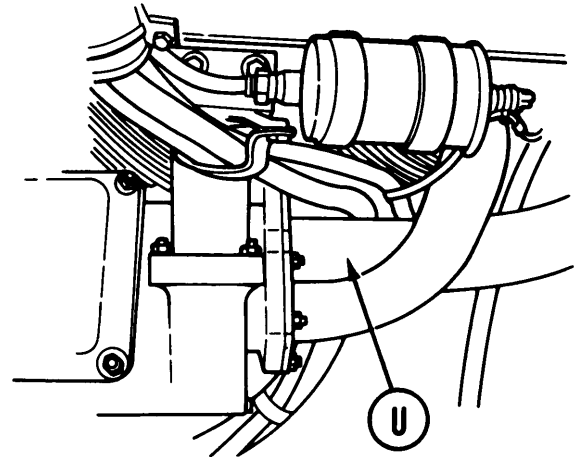
6. Using flat-tip screwdriver and 3/8 inch box, secure male connector (R) to bracket (S) using four screws, lockwashers, and nuts (T).





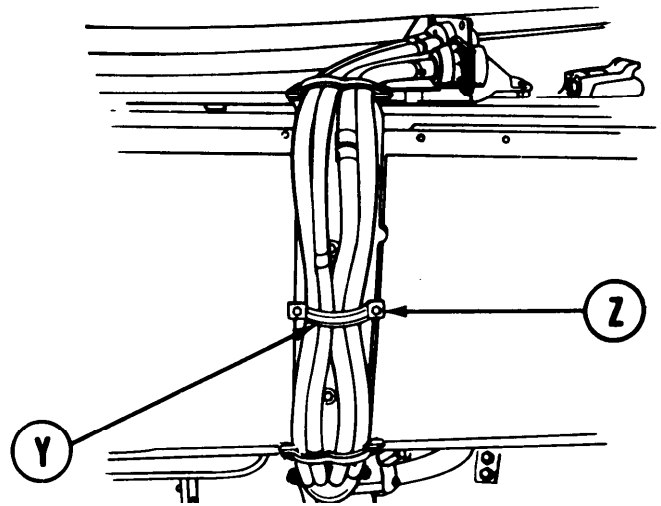
ENGINE STARTER WIRING HARNESSES REPLACEMENT (Sheet 6 of 7)

5. Feed male connector cables between exhaust manifold (U) and engine.



6. Using 3/4 inch wrench, secure male connector cables (V) and (W) and light cable (X) with lockwasher and nut.

7. Using 7/16 inch socket, secure cables with four clamps (Y) and eight lockwashers and screws (Z).



Go on to Sheet 7

TA168930

ENGINE STARTER WIRING HARNESSES REPLACEMENT (Sheet 7 of 7)

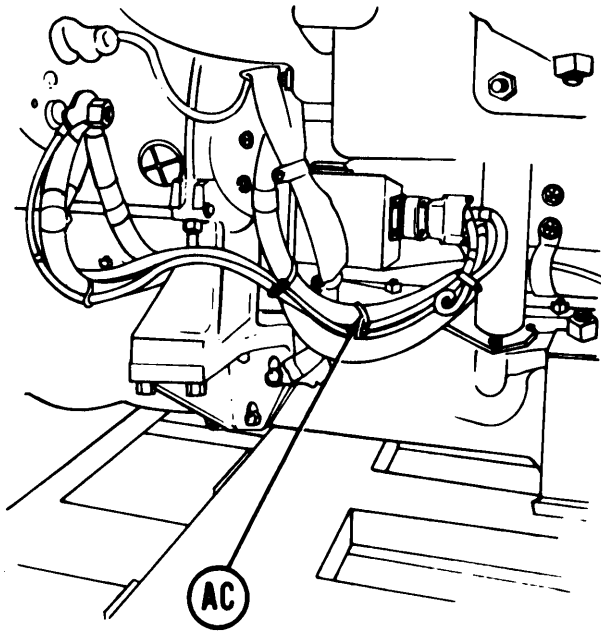
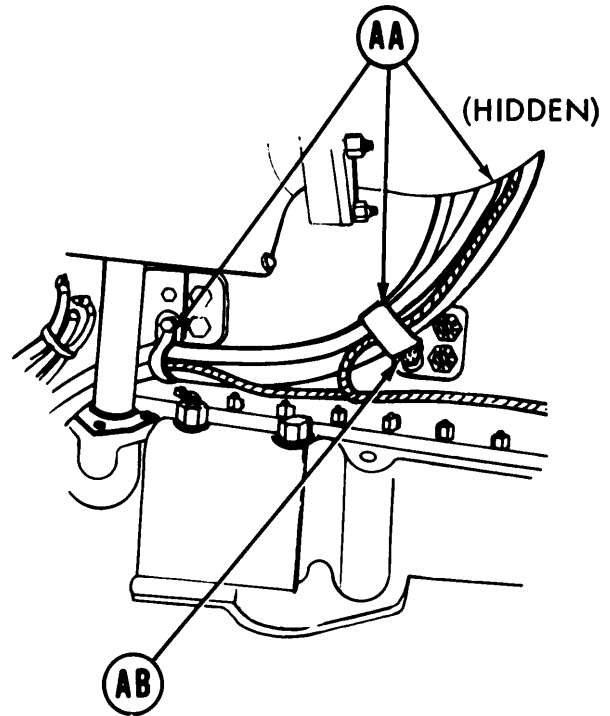
8. Using 1/2 inch socket and extension, secure cable clamps (AA) with screws (AB).

9. Secure cables with cable ties (AC).

10. Connect powerplant for ground hop (page 5-26).

11. Start engine (TM 5-5420-226-10).

12. Stop engine (TM 5-5420-226-10).



13. Coat all exposed terminal fittings with glyptol
14. Disconnect powerplant from test set-up (page 5-26).
15. Install engine shroud (page 9-31).
16. Install powerplant (page 5-14).

TRANSMISSION WIRING HARNESS REPLACEMENT (Sheet 1 of 4)

PROCEDURE INDEX

PROCEDURE	PAGE
Removal	10-281
Installation	10-283

TOOLS: 3/4 in. combination box and open end wrench  
 7/16 in. combination box and open end wrench (2 required)  
 Slip-joint pliers  
 9/16 in. socket with 1/2 in. drive  
 Ratchet with 1/2 in. drive  
 Flat-tip screwdriver  
 Spanner wrench

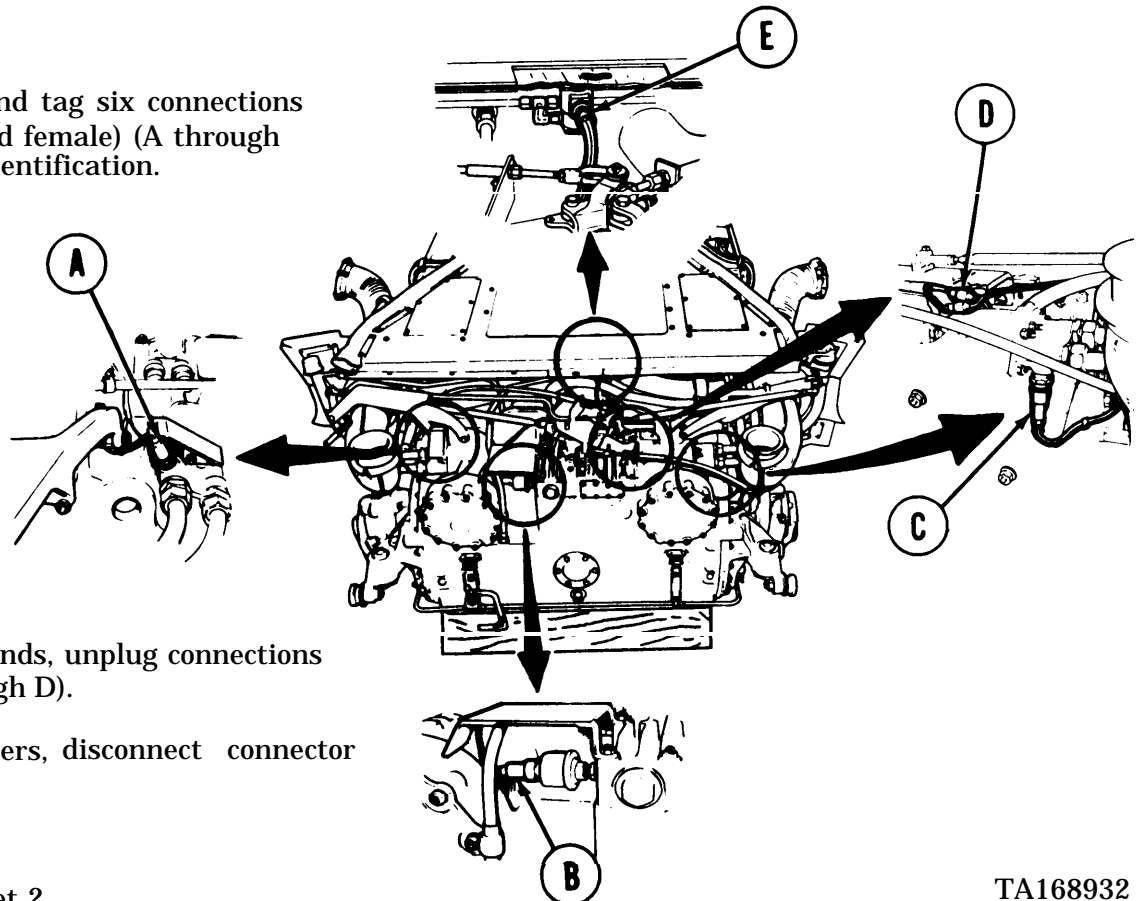
SUPPLIES: Identification tags  
 Grommet (MS35490-16)

REFERENCE: TM 5-5420-226-10

PRELIMINARY PROCEDURE: Remove powerplant (page 5-2)

REMOVAL:

1. Locate and tag six connections (male and female) (A through E) for identification.



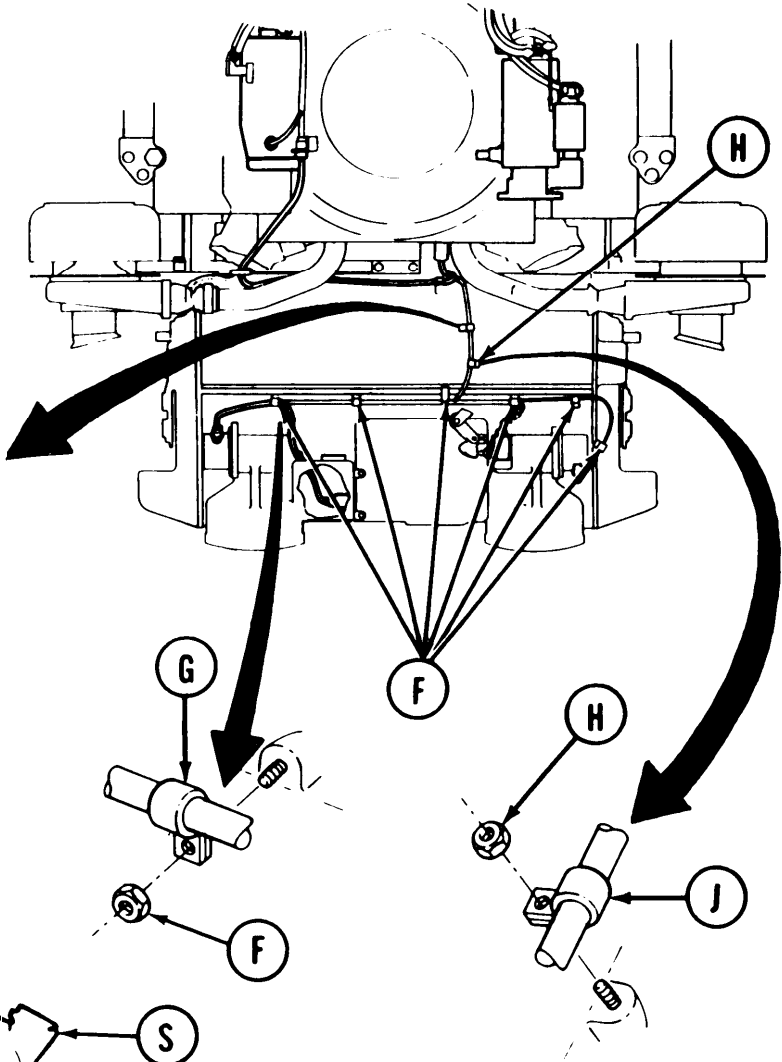
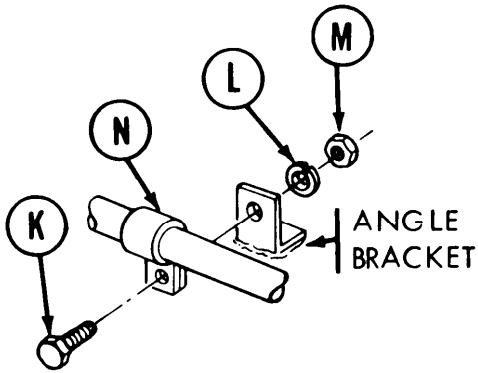
2. Using hands, unplug connections (A through D).
3. Using pliers, disconnect connector (E).

Go on to Sheet 2

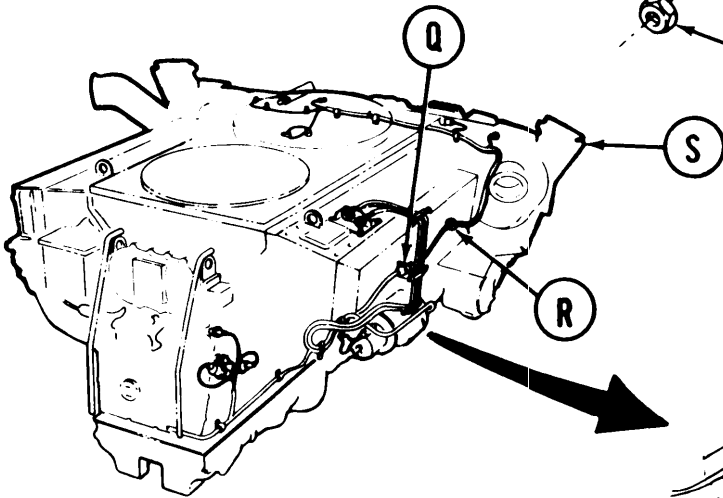
TA168932

TRANSMISSION WIRING HARNESS REPLACEMENT (Sheet 2 of 4)

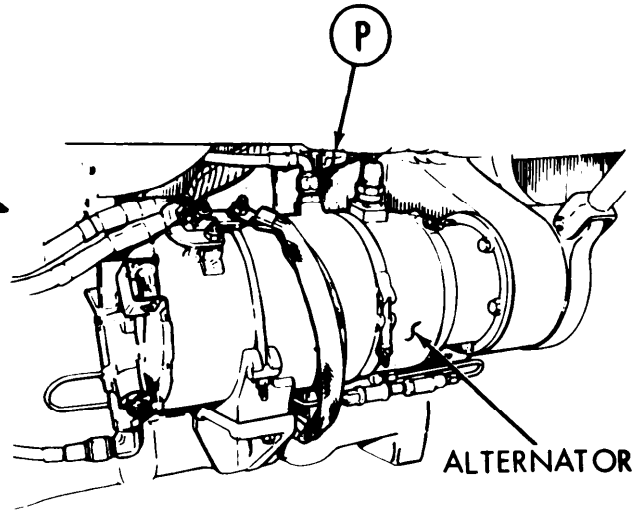
4. Using 3/4-inch wrench, remove Six nuts (F) and clamps (G) securing wiring harness to transmission.
5. Using 9/16-inch socket, remove nut (H) and clamp (J).
6. Using two 7/16-inch wrenches, remove screw (K), washer (L), nut (M), and clamp (N).



7. Using spanner wrench, disconnect wiring harness connector (P) at alternator connector (Q).



8. Using screwdriver, remove grommet (R) from rear engine shroud (S). Discard grommet.
9. Remove wiring harness from powerplant.



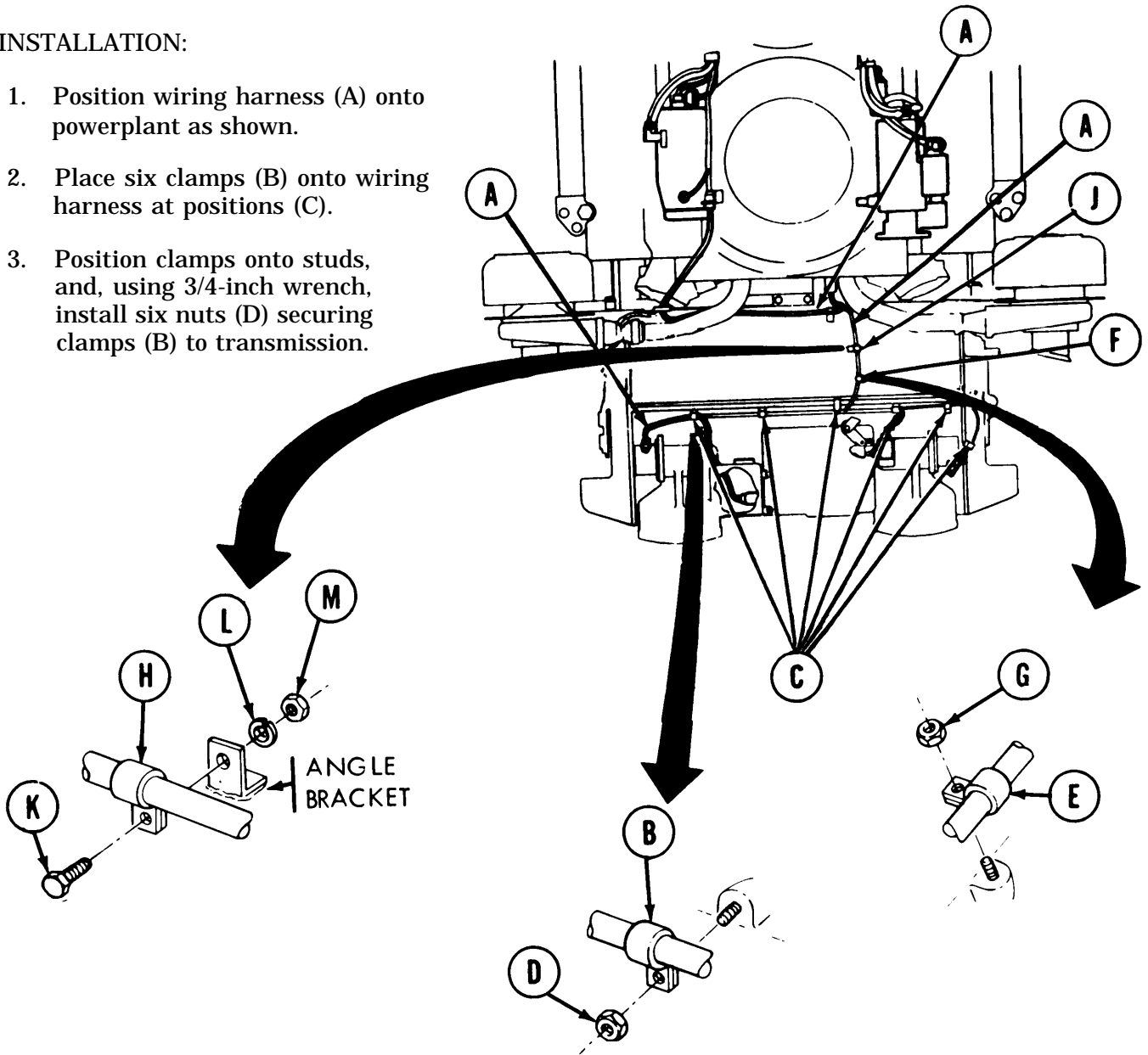
Go on to Sheet 3

TA168933

TRANSMISSION WIRING HARNESS REPLACEMENT (Sheet 3 of 4)

INSTALLATION:

1. Position wiring harness (A) onto powerplant as shown.
2. Place six clamps (B) onto wiring harness at positions (C).
3. Position clamps onto studs, and, using 3/4-inch wrench, install six nuts (D) securing clamps (B) to transmission.



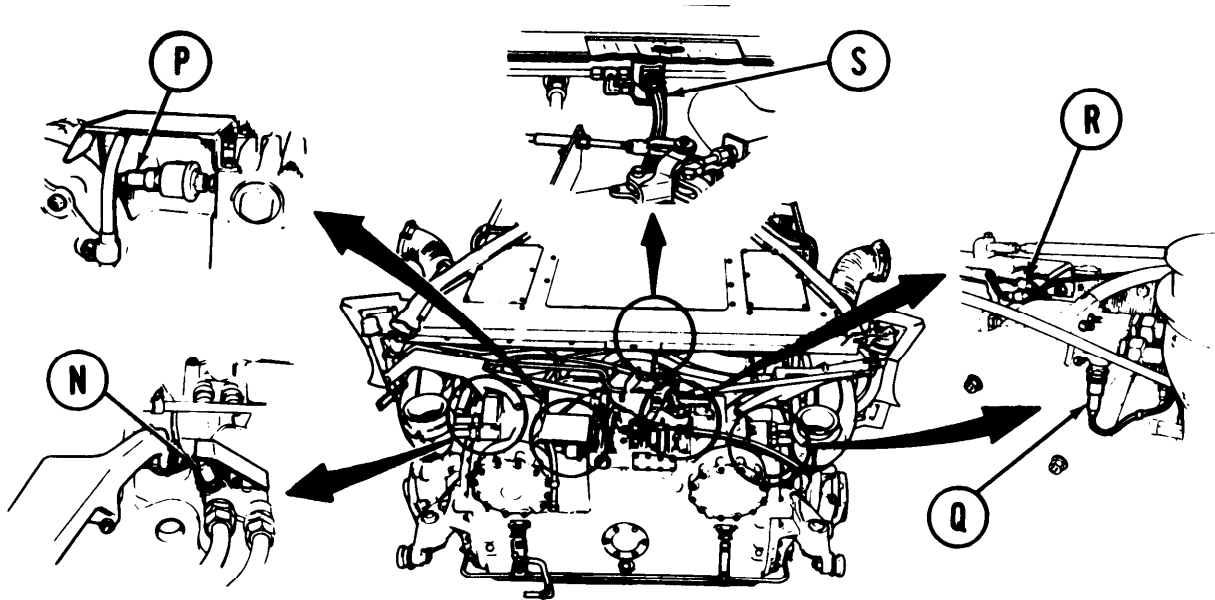
4. Place clamp (E) onto wiring harness at position (F).
5. Position clamp onto stud and, using 9/16-inch socket, install nut (G) securing clamp (E) to transmission.
6. Place clamp (H) onto wiring harness at Position (J) .
7. Position clamp onto bracket, and, using two 7/16-inch wrenches, install screw (K), washer (L), and nut (M) securing clamp (H) to bracket.

Go on to Sheet 4

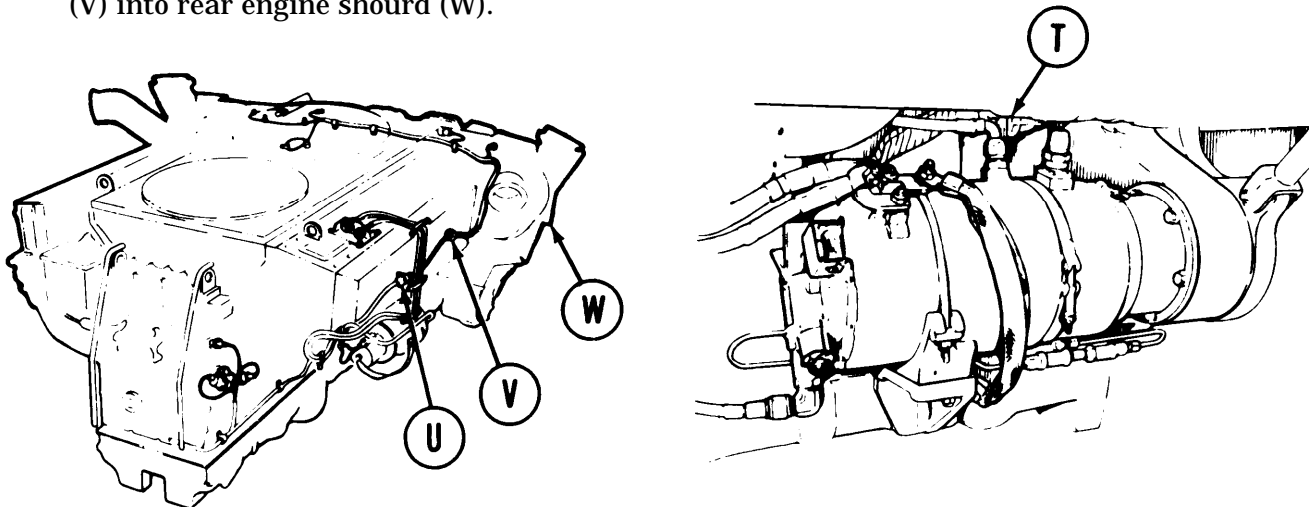
TA168934

TRANSMISSION WIRING HARNESS REPLACEMENT (Sheet 4 of 4)

8. Using hands, connect four leads (N through R) to their mating connections according to tags.
9. Using pliers, connect lead (S) to its mating connection according to tags.
10. Remove all tags.



11. Using spanner wrench, connect wiring harness connector (T) to alternator harness (U).
12. Using hands, install new grommet (V) into rear engine shourd (W).



13. Install power plant (page 5-14).
14. Perform operational check (TM 5-5420-226-10)

End of Task

TA168935

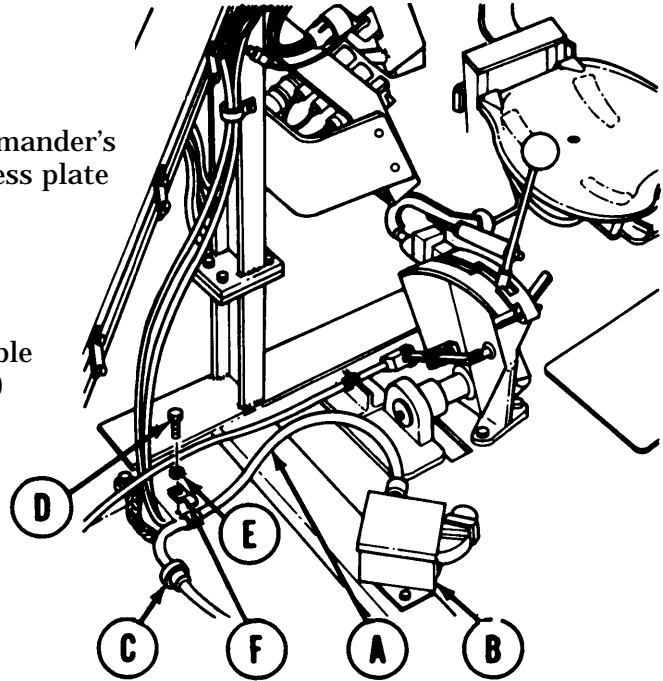
**INTERCONNECTING BOX CABLE ASSEMBLY REPLACEMENT (Sheet 1 of 1)**

**TOOLS:** 9/16 in. socket with 1/2 in. drive  
 Ratchet with 1/2 in. drive  
 Spanner wrench

**PRELIMINARY PROCEDURE:** Remove commander's seat floor access plate (page 17-9)

**REMOVAL:**

1. Using spanner wrench, remove ends of cable assembly (A) from interconnecting box (B) and connector (C).
2. Using socket, remove screw (D) and lock-washer (E) securing loop clamp (F) to floor plate.
3. Remove cable assembly (A).



1. Position cable assembly (A) along hull floor.
2. Using spanner wrench connect cable assembly (A) to interconnecting box (B) and connector (C).
3. Using socket, install screw (D) and lockwasher (E) securing loop clamp (F) to hull floor.
4. Install commander's seat floor access plate (page 17-9).

End of Task

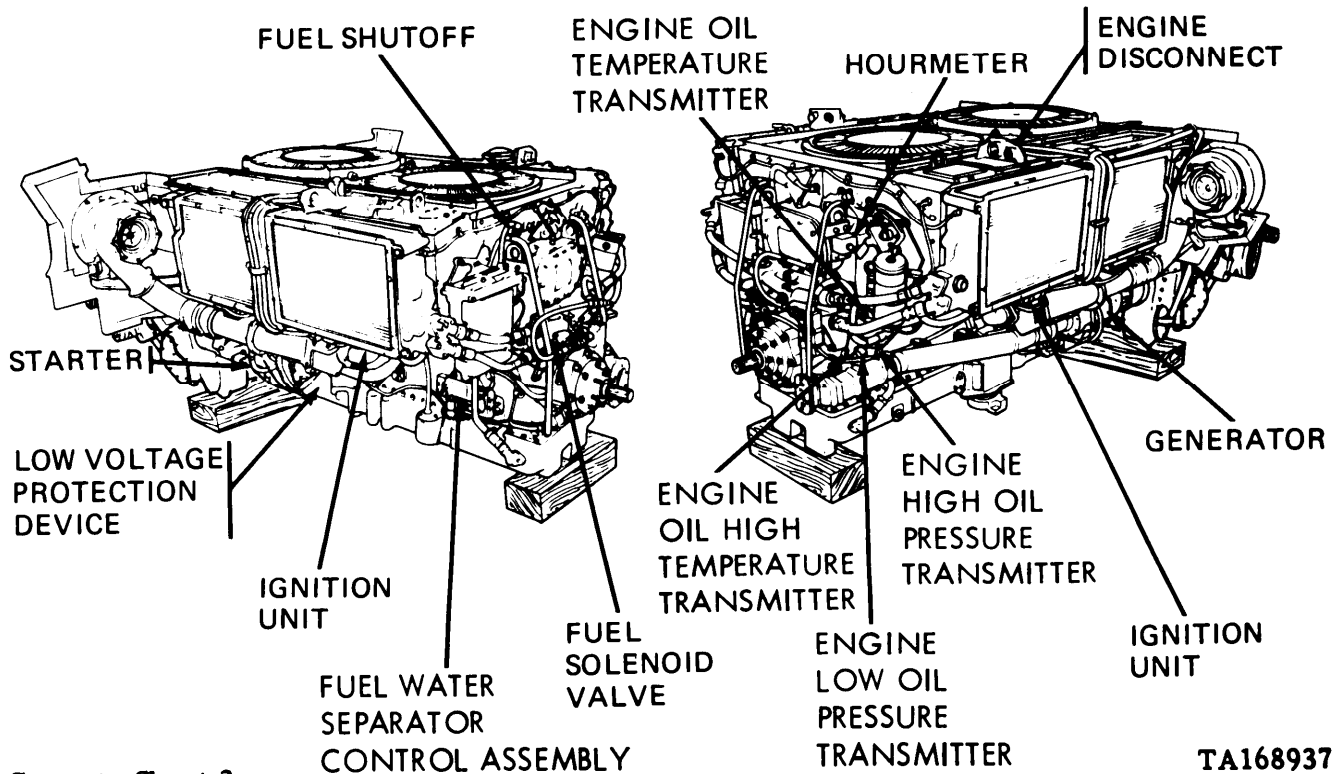
PROCEDURE INDEX

PROCEDURE	PAGE
Removal	10-286
Installation	10-292

- TOOLS:
- Spanner wrench
  - 3/8 in. combination box and open end wrench
  - 3/4 in. combination box and open end wrench
  - 7/8 in. combination box and open end wrench
  - 2 in. extension with 1/2 in. drive
  - Ratchet with 1/2 in. drive
  - 7/16 in. socket with 1/2 in. drive
  - 1/2 in. socket with 1/2 in. drive
  - Cross-tip screwdriver
  - Flat-tip screwdriver
  - Slip joint pliers
  - Diagonal cutting pliers
  - Adjustable wrench
  - 9/16 in. combination box and open end wrench

SUPPLIES: Silicone compound (Item 32, Appendix D)

PRELIMINARY PROCEDURE: Remove powerplant (page 5-2)



Go on to Sheet 2

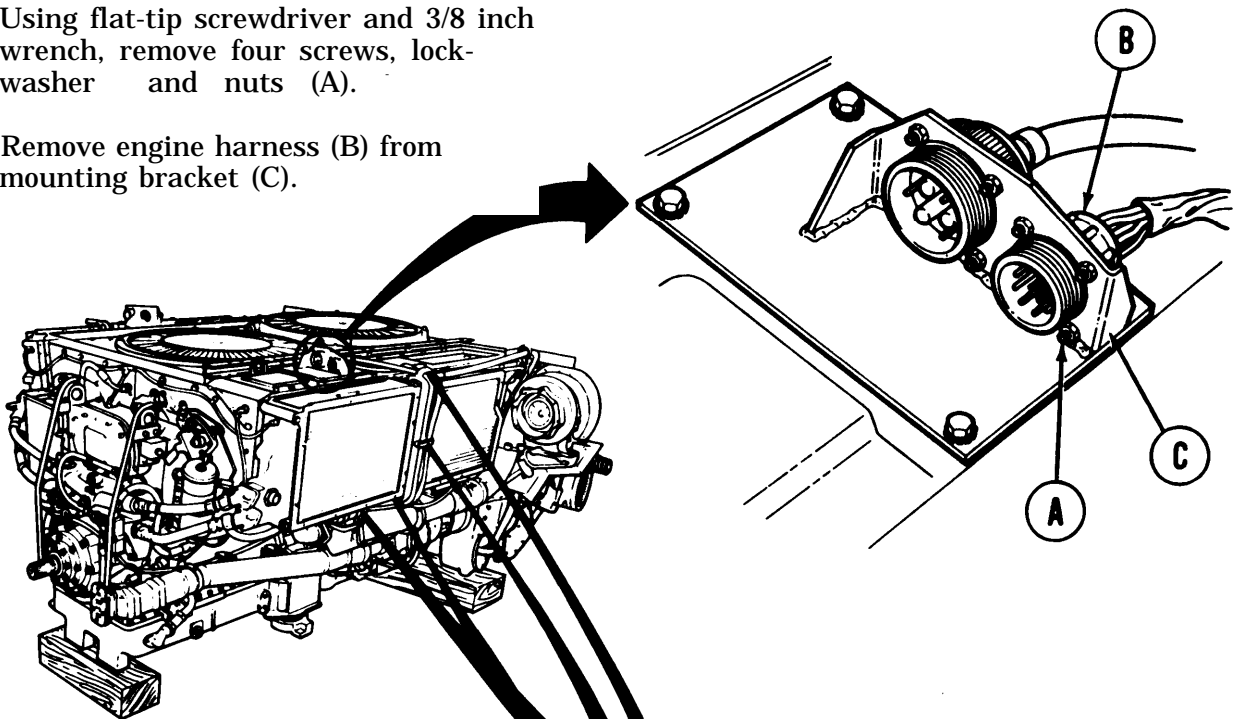
TA168937



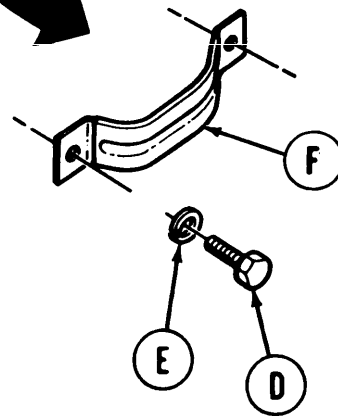
ENGINE WIRING HARNESS REPLACEMENT (Sheet 2 of 12)

REMOVAL:

1. Using flat-tip screwdriver and 3/8 inch wrench, remove four screws, lock-washer and nuts (A).
2. Remove engine harness (B) from mounting bracket (C).



3. Using 7/16 inch socket, remove eight screws (D) and lockwashers (E) securing four clamps (F).
4. Remove four clamps (F) from engine.



NOTE

Engine wiring harness is wrapped while other two harness leads are covered with insulation.

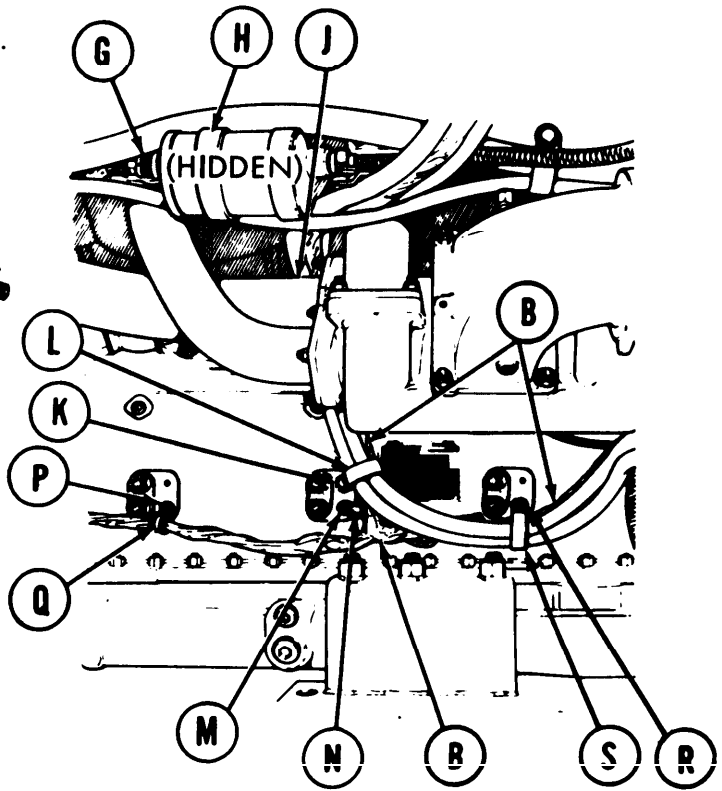
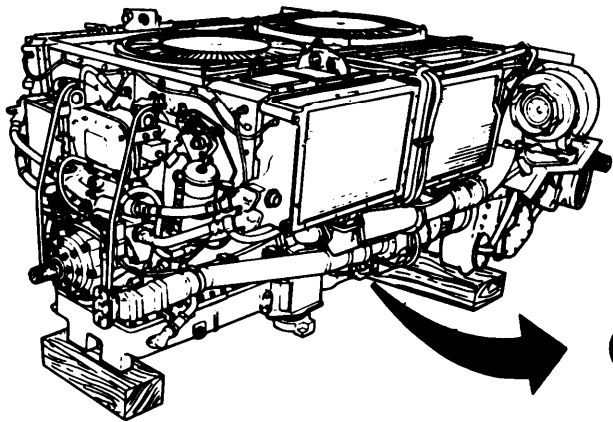
5. Separate and remove engine wiring harness (B) from top of engine.

Go on to Sheet 3

TA168938

ENGINE WIRING HARNESS REPLACEMENT (Sheet 3 of 12)

6. Using slip joint pliers and hands to loosen, disconnect electrical lead (CKT 86/GND) (G) from ignition unit (H).
7. Using 1/2 inch socket, remove nut and lockwasher (J) securing clamp (hidden).
8. Remove clamp from wiring harness (B).



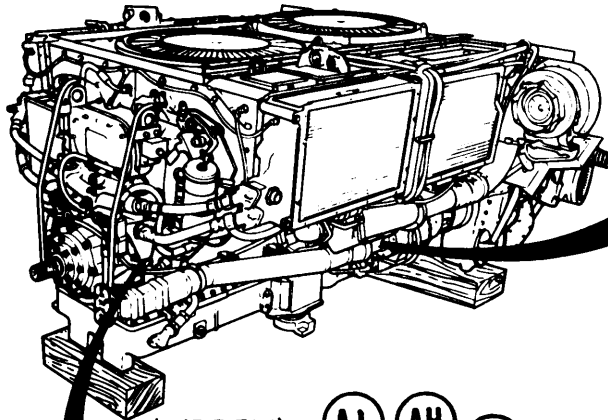
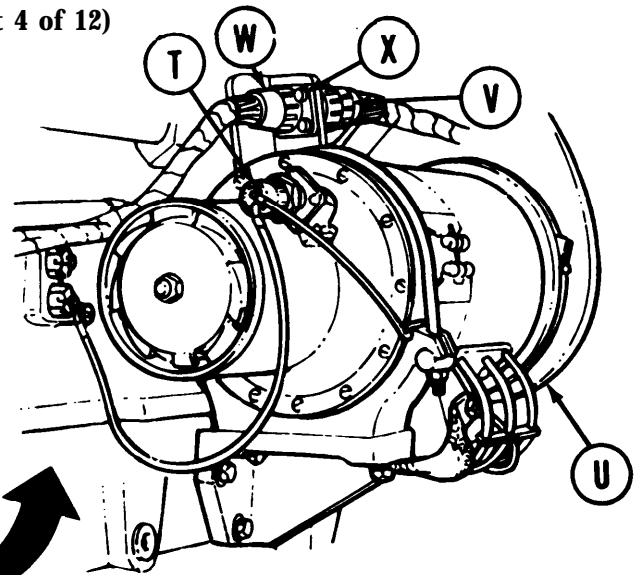
9. Using 1/2 inch socket, remove screw and lockwasher (K).
10. Remove clamp (L) from electrical wiring harness (B).
11. Using 1/2 inch socket, remove screw and lockwasher (M) securing ground lead (N).
12. Using 1/2 inch socket, remove screw and lockwasher (P).
13. Remove clamp (Q) from wiring harness (B).
14. Using 1/2 inch socket, remove screw and lockwasher (R).
15. Remove clamp (S) from engine wiring harness (B).

Go on to Sheet 4

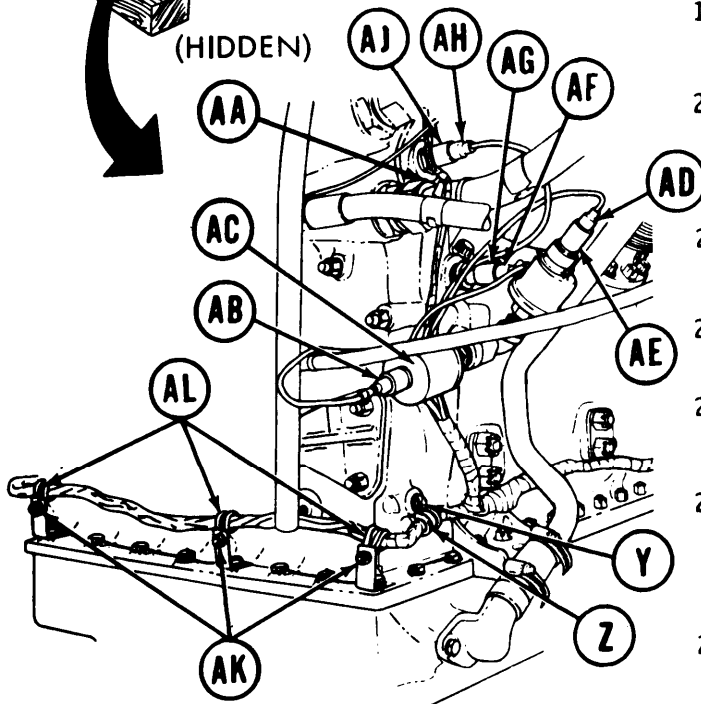
TA168939

ENGINE WIRING HARNESS REPLACEMENT (Sheet 4 of 12)

16. Using spanner wrench, disconnect electrical connector (T) from generator (U).
17. Using spanner wrench, disconnect electrical connector (V) from electrical connector (W).



18. Using cross-tip screwdriver and adjustable wrench, remove four screws, lockwashers, and nuts (X) securing electrical connector (W).
19. Using 1/2 inch socket, remove screw and lockwasher (Y).
20. Remove clamp (Z).
21. Using 1/2 inch socket with extension, remove nut (AA) securing clamp (hidden).
22. Remove clamp.
23. Disconnect electrical connector (AB) from engine oil pressure switch (AC).
24. Disconnect electrical connector (AD) from engine high oil pressure transmitter (AE).
25. Disconnect electrical connector (AF) from engine oil high temperature thermostatic switch (AG).



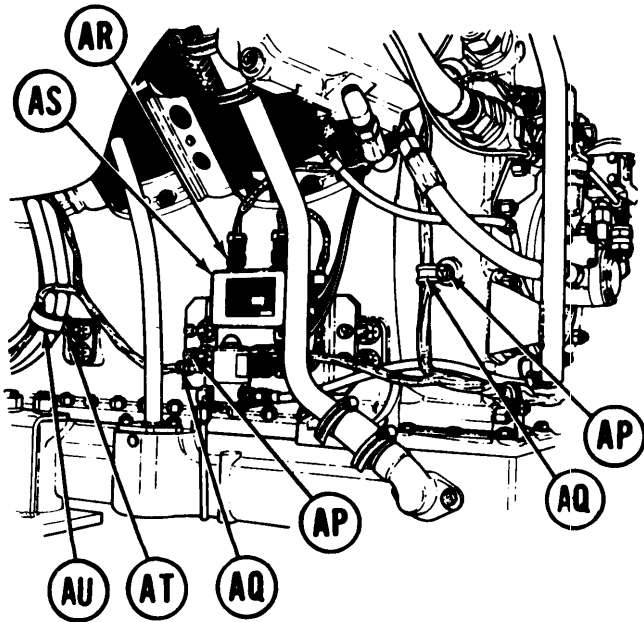
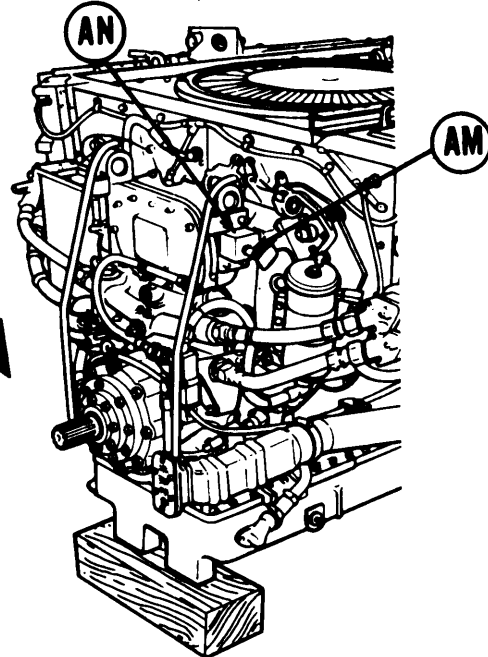
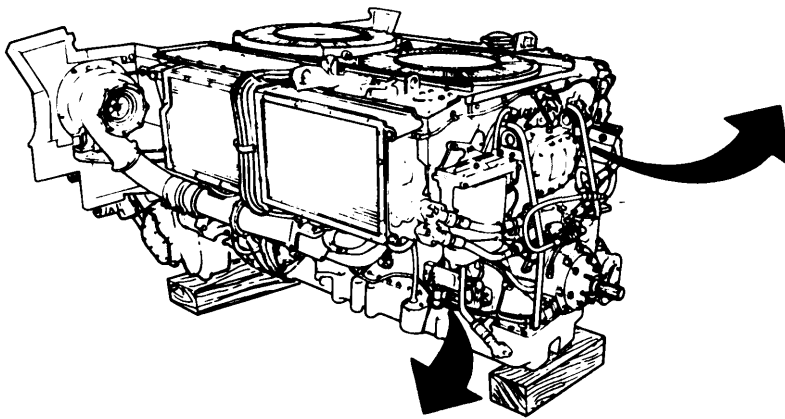
26. Disconnect electrical connector (AH) from engine oil temperature transmitter (AJ).
27. Using 7/16 inch socket and wrench, remove three screws, lockwashers and nuts (AK).
28. Remove three clamps (AL).

Go on to Sheet 5

TA168940

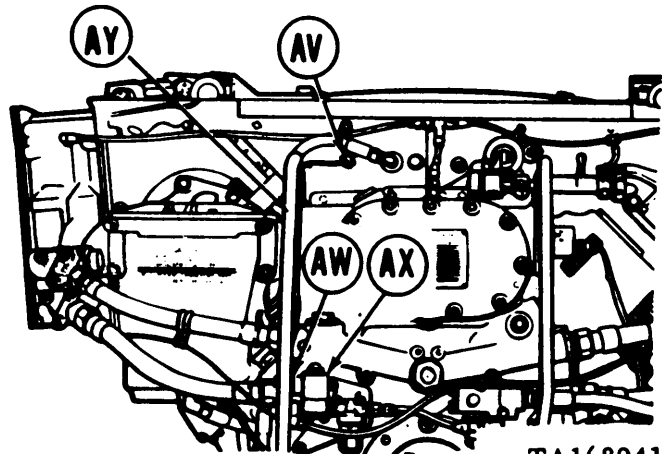
ENGINE WIRING HARNESS REPLACEMENT (Sheet 5 of 12)

29. Using pliers, loosen, and using hands, disconnect connector (AM) from hour meter (AN).



30. Using 1/2 inch socket with extension, remove two screws and lockwashers (AP).
31. Remove two clamps (AQ).
32. Using slip joint pliers, loosen, and using hands, disconnect connector (AR) from fuel- water separator control (AS).
33. Using 1/2 inch socket with extension, remove screw and lockwashers (AT) securing clamp (AU).
34. Remove clamp (AU).

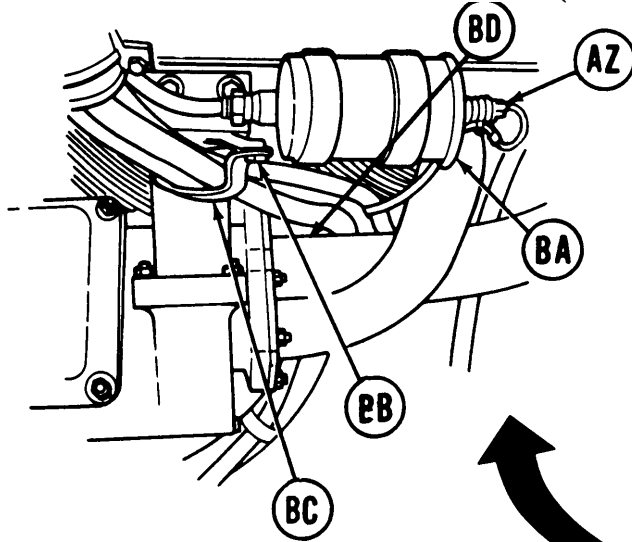
35. Using 7/8 inch wrench disconnect electrical lead (AV) from front of engine.
36. Using slip joint pliers, loosen, and using hands, disconnect electrical connector (AW) from solenoid valve (AX).
37. Using 9/16 inch wrench, remove nut (AY) securing clamp (hidden).
38. Remove clamp.



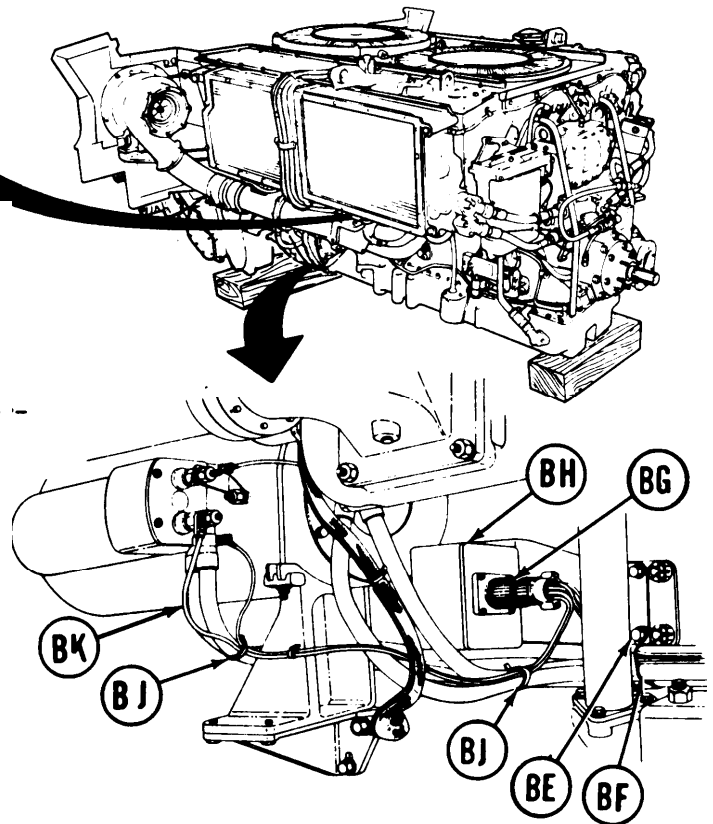
Go on to Sheet

TA168941

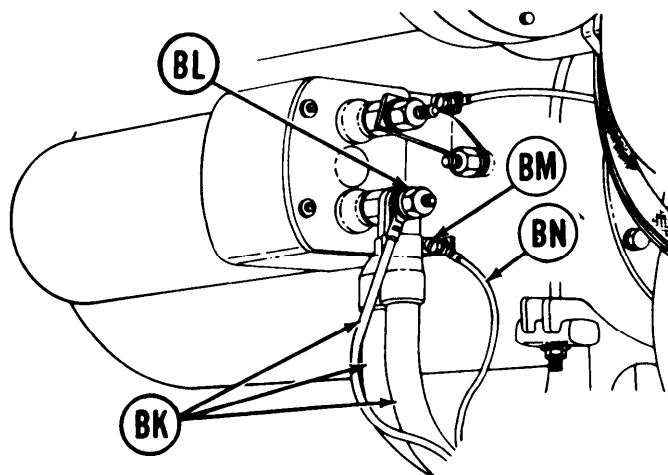
ENGINE WIRING HARNESS REPLACEMENT (Sheet 6 of 12)



39. Using slip joint pliers, remove electrical connector (AZ) from ignition unit (BA).
40. Using 7/16 inch socket, remove two screws and lockwashers (BB) securing clamp (BC).
41. Remove clamp.



42. Using 1/2 inch socket, remove nut (BD) securing clamp (hidden).
43. Remove clamp.
44. Using 1/2 inch socket with extension, remove screw and lockwasher (BE) securing clamp (BF).
45. Remove clamp (BF).
46. Using spanner wrench, disconnect electrical connector (BG) from low voltage protection relay (BH).
47. Using cutting pliers, cut and remove two plastic straps (BJ) from cables (BK).



48. Using 3/4 inch wrench, remove nut and lockwasher (BL).
49. Remove three cables (BK).
50. Using flat-tip screwdriver, remove screw (BM).
51. Remove electrical cable (BN).
52. Remove engine wiring harness from engine.

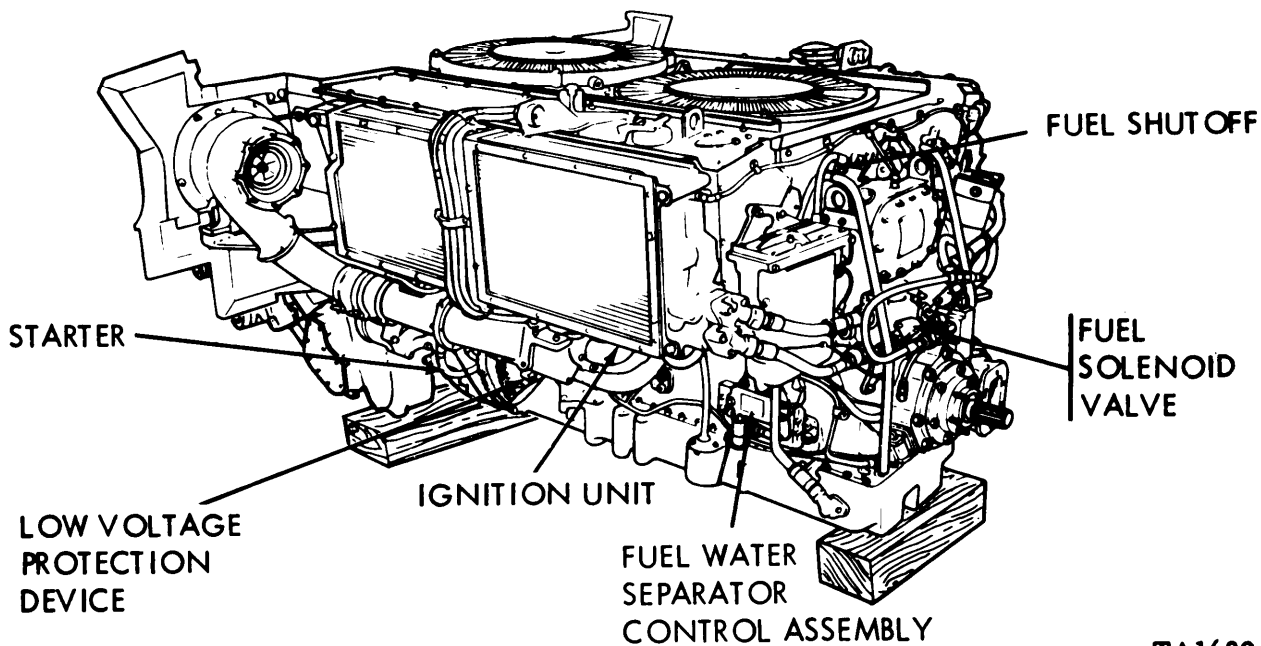
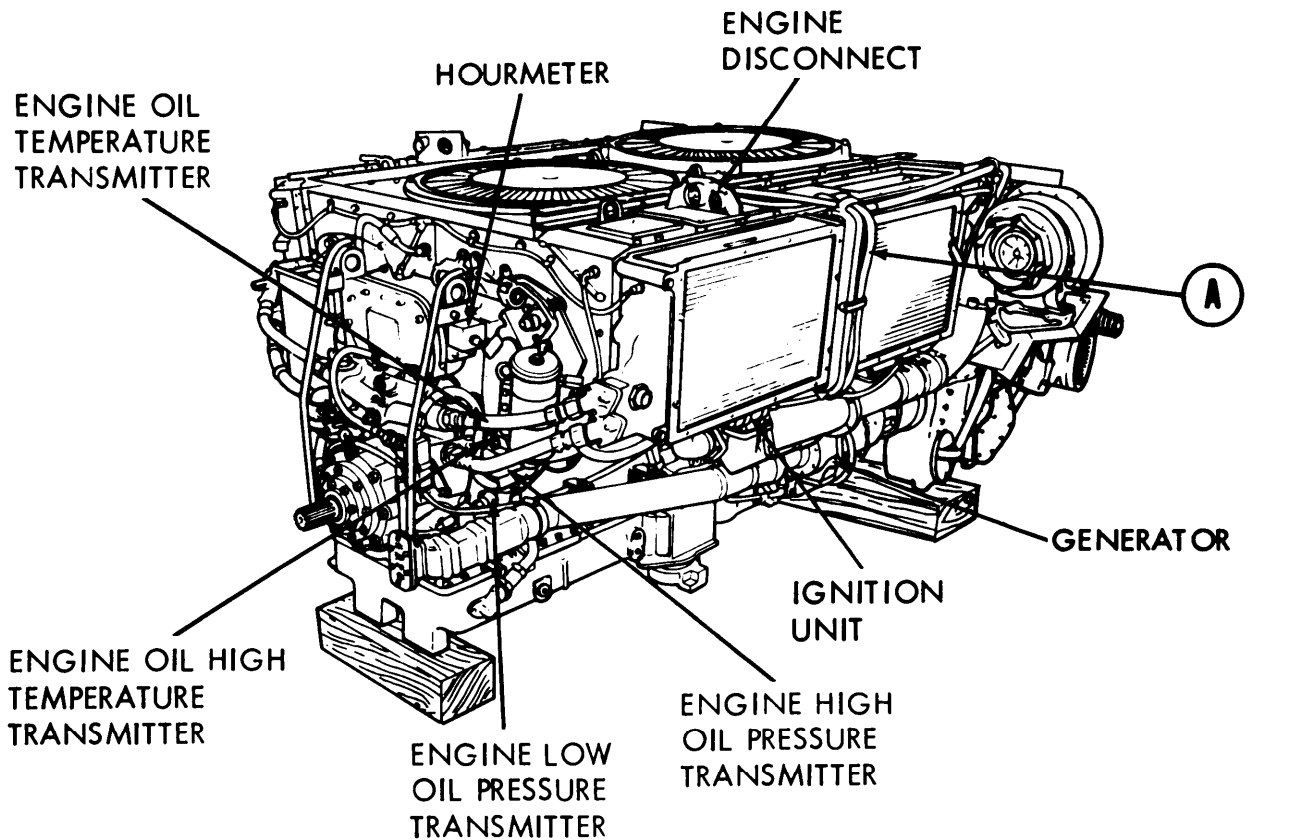
Go on to Sheet 7

TA168942

ENGINE WIRING HARNESS REPLACEMENT (Sheet 7 of 12)

INSTALLATION:

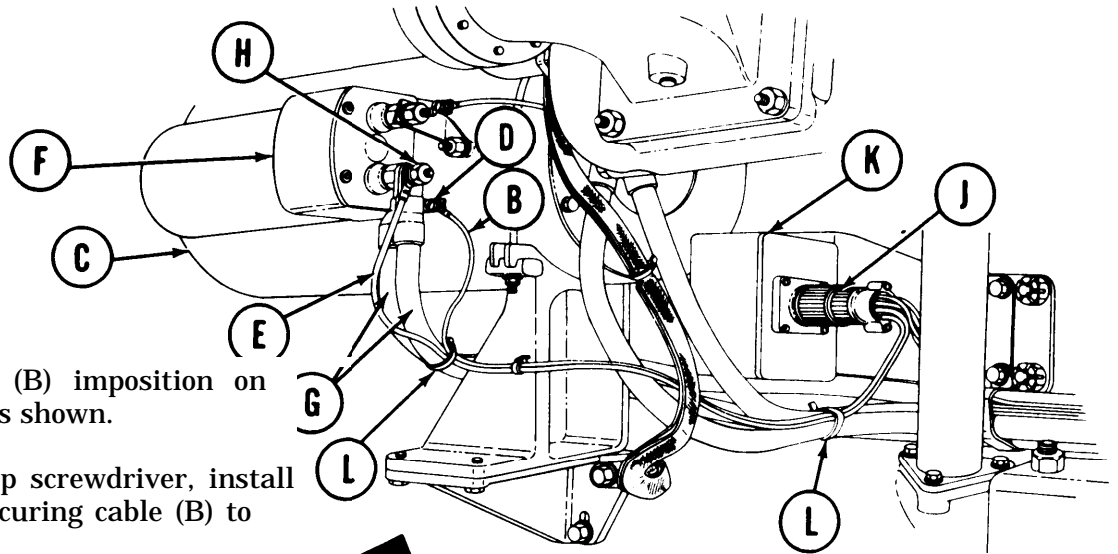
1. Place engine wiring harness (A) in position on engine.



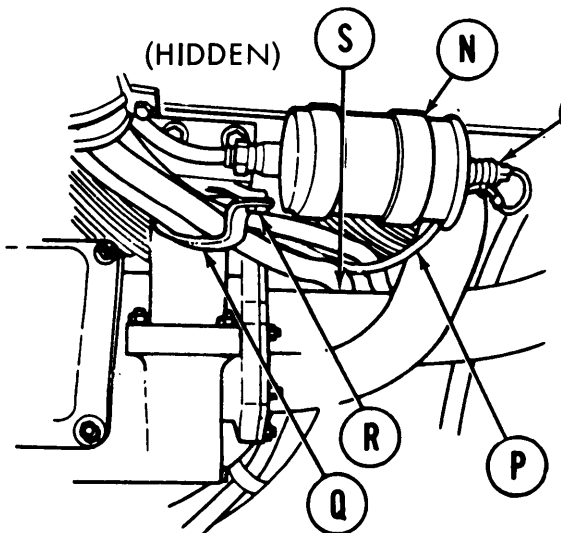
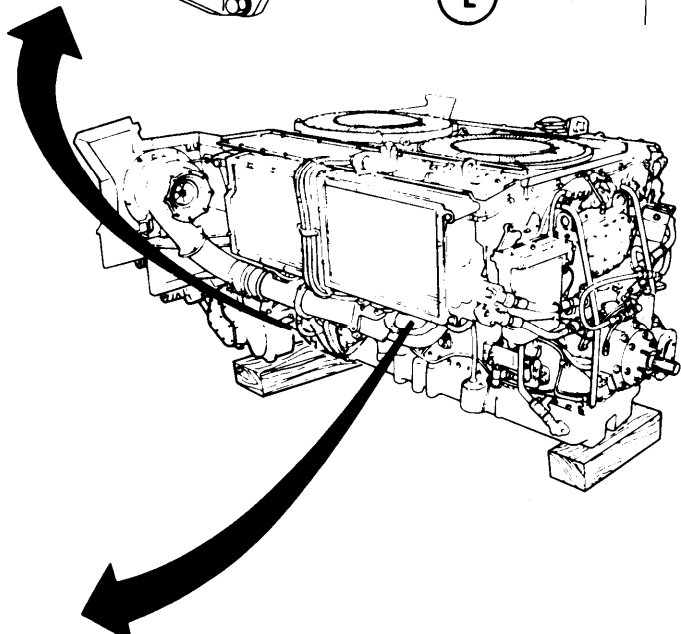
Go on to Sheet 8

TA168943

ENGINE WIRING HARNESS REPLACEMENT (Sheet 8 of 12)



2. Place cable (B) in position on starter (C) as shown.
3. Using flat-tip screwdriver, install screw (D) securing cable (B) to starter (C).
4. Place cable (E) in position on starter solenoid (F).
5. Place two other cables (G) on starter solenoid (F).
6. Using 3/4 inch wrench, install nut and lockwasher (H).
7. Using spanner wrench, connect connector (J) to low voltage protection device (K).
8. Install two new plastic straps (L) around cables (B, E and G).



Place connector (M) to ignition unit (N).

10. Place cable (P) and clamp (Q) in position.
11. Using 7/16 inch socket, install two screws and lockwashers (R) securing cable (P) and clamp (Q).

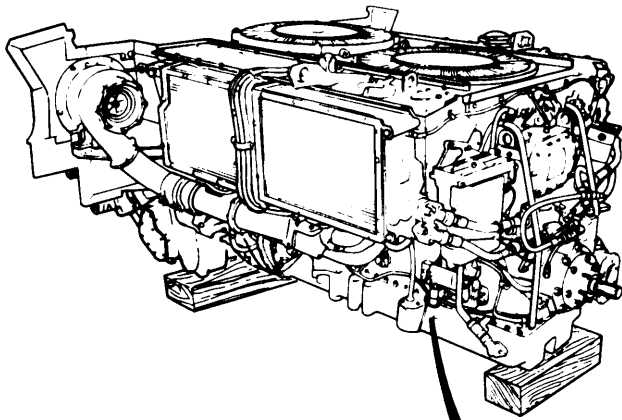
Place clamp (S) (hidden) in position over cables.

13. Using 1/2 inch socket, install nut securing cables and clamp (S).

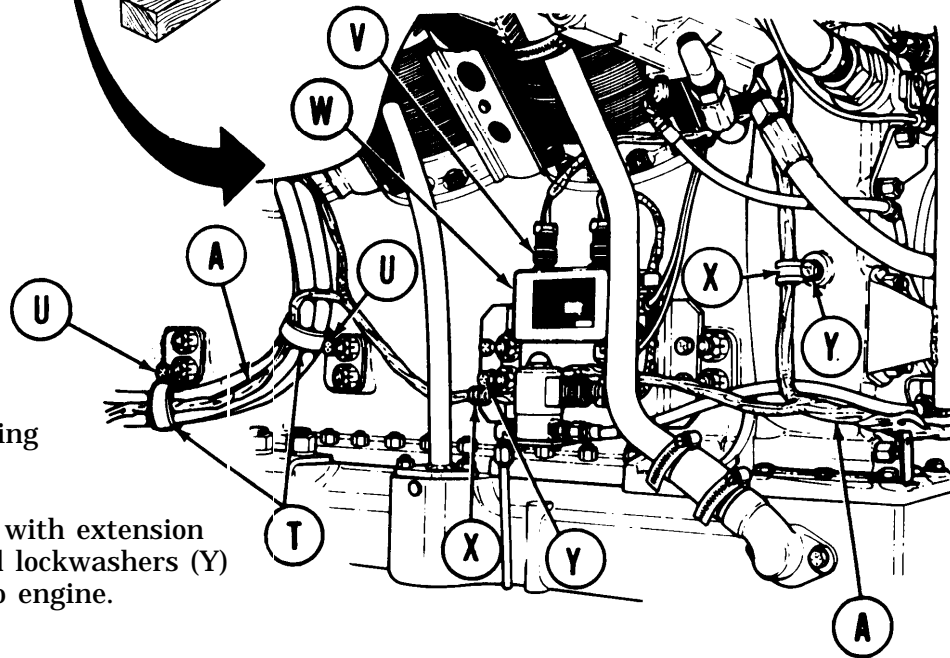
Go on to Sheet 9

TA168944

ENGINE WIRING HARNESS REPLACEMENT (Sheet 9 of 12)



14. Place wiring harness (A) in position.
15. Place two clamps (T) in position around wiring harness (A).
16. Using 1/2 inch socket with extension, install two screws and lockwashers (U) securing two clamps (T) to engine.
17. Using slip joint pliers, install connector (V) to fuel-water separator control (W).



18. Place two clamps (X) in position around wiring harness (A).
19. Using 1/2 inch socket with extension install two screws and lockwashers (Y) securing clamps (X) to engine.

20. Using slip joint pliers, install connector (Z) to fuel solenoid valve (AA).
21. Using 7/8 inch wrench install fuel shutoff lead (AB) to front of engine.
22. Place clamp (AC) (hidden) in position on cable.
23. Using 9/16 inch wrench, install nut securing cable and clamp (AC).

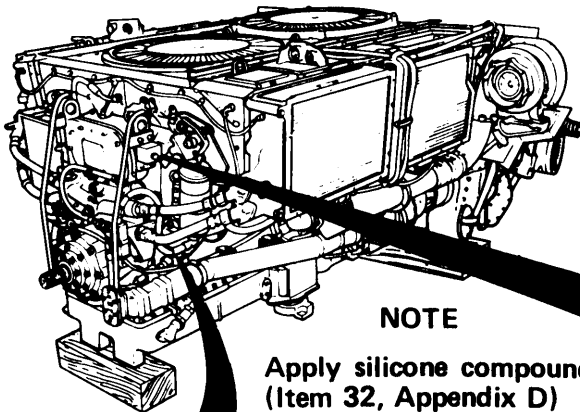
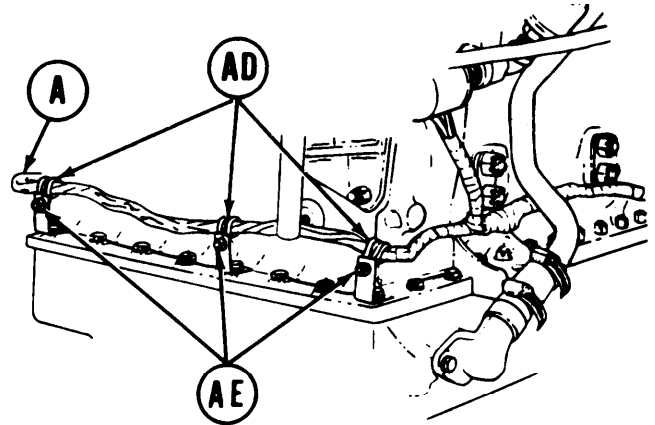
Go on to Sheet 10

TA168945

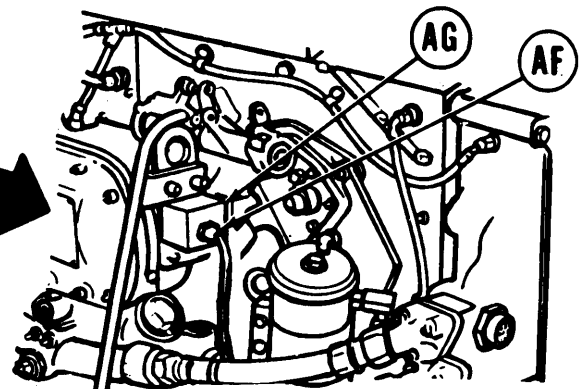


ENGINE WIRING HARNESS REPLACEMENT (Sheet 10 of 12)

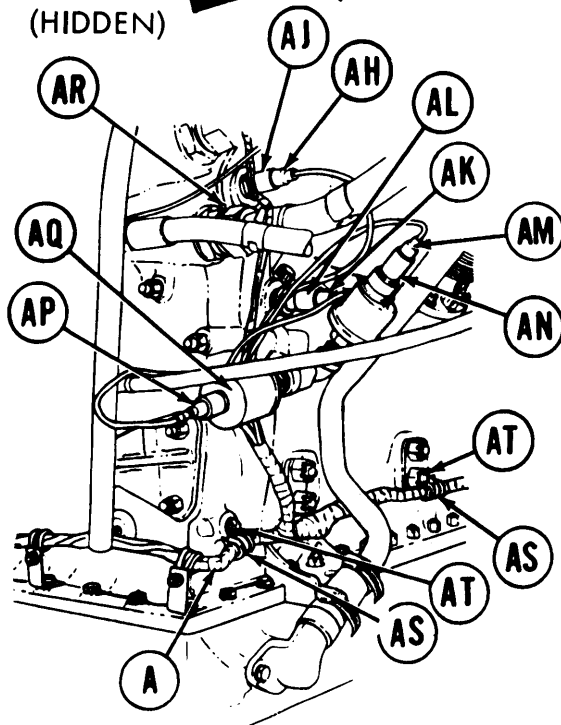
24. Place wiring harness (A) in position along bottom of engine.
25. Place three clamps (AD) in position around wiring harness (A).
26. Using 7/16 inch socket and wrench, install three screws, lockwashers and nuts (AE) securing three clamps (AD) and wiring harness to engine



27. Using slip joint pliers, install connector (AF) to hour meter (AG).



(HIDDEN)



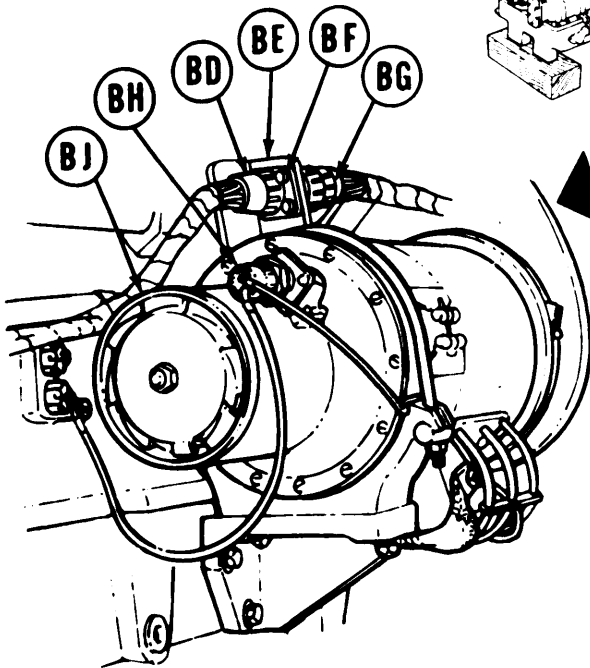
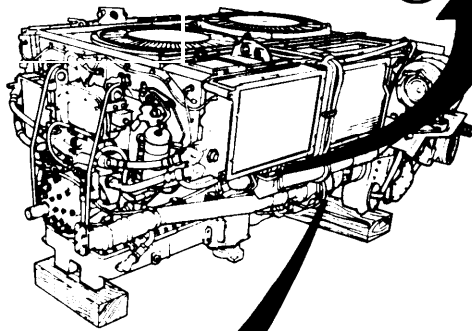
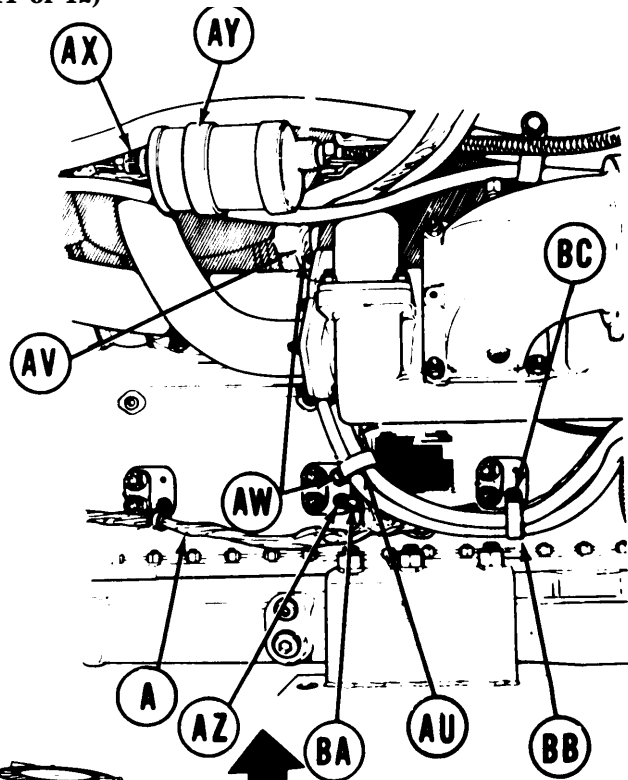
28. Connect electrical lead (AH) (CKT 33) to engine oil temperature transmitter (AJ).
29. Connect electrical lead (AK) (CKT 509L) to engine oil high temperature thermo static switch (AL).
30. Connect electrical lead (AM) (CKT 36) to engine high oil pressure transmitter (AN).
31. Connect electrical lead (AP) (CKT 509L) to engine low oil pressure switch (AQ).
32. Place clamp (AR) (hidden) in position on wiring harness (A).
33. Using 1/2 inch socket with extension, install nut securing wiring harness (A) and clamp (AR).
34. Place two clamps (AS) in position on wiring harness (A).
35. Using 1/2 inch socket, install two screws and lockwashers (AT).

Go on to Sheet 11

TA168946

ENGINE WIRING HARNESS REPLACEMENT (Sheet 11 of 12)

36. Place wiring harness (A) in position
37. Place clamp (AU) and clamp (AV) which is hidden, in position around wiring harness (A).
38. Using 1/2 inch socket with extension, install two screws and lockwashers (AW) securing two clamps (AU and AV).
39. Using slip joint pliers, install connector (AX) to ignition unit (AY).
40. Using 1/2 inch socket with extension, install screw and lockwasher (AZ) securing ground strap (BA) to engine.
41. Place clamp (BB) in position around wiring harness (A).
42. Using 1/2 inch socket with extension, install screw and lockwasher (BC) securing clamp (BB).



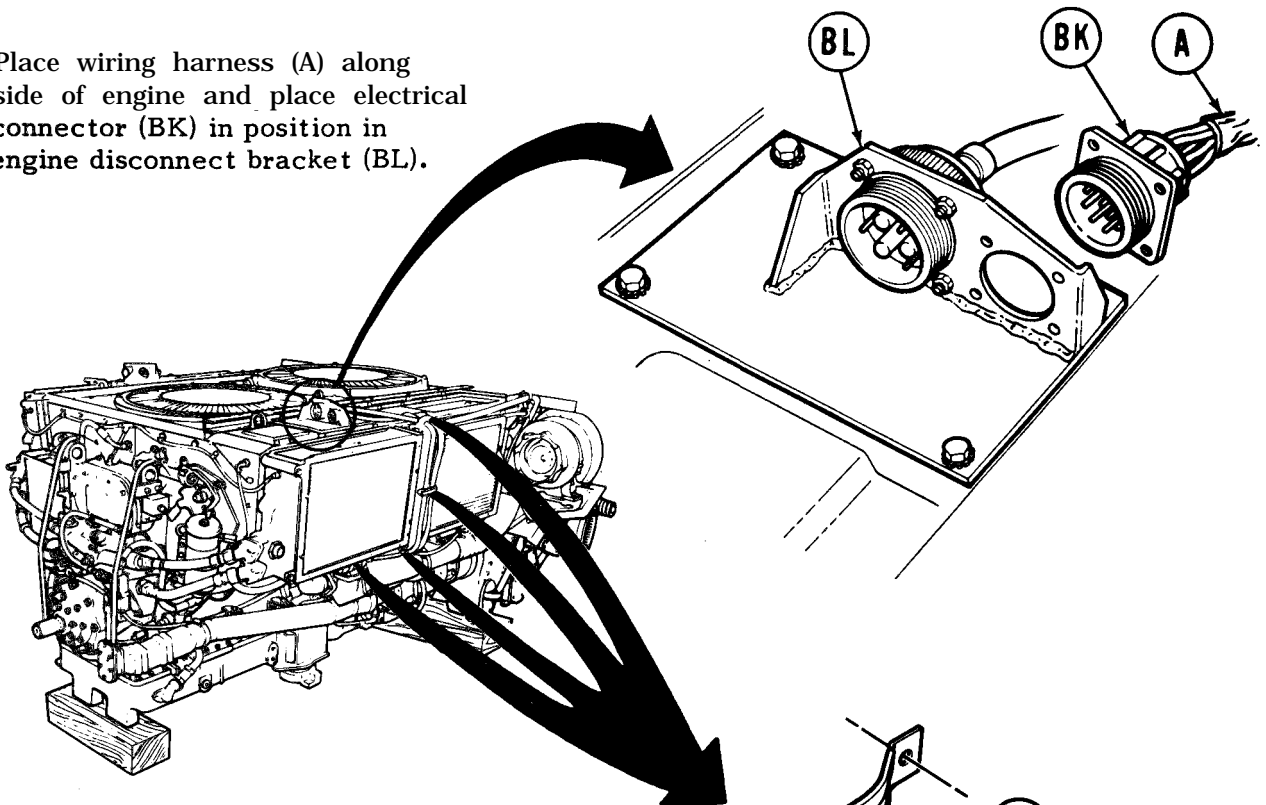
43. Position connector (BD) in bracket (BE).
44. Using cross-tip screwdriver and adjustable wrench, install four screws, lockwashers, and nuts (BF).
45. Using spanner wrench, install connector (BG).
46. Using spanner wrench, connect connector (BH) to generator (BJ).

Go on to Sheet 12

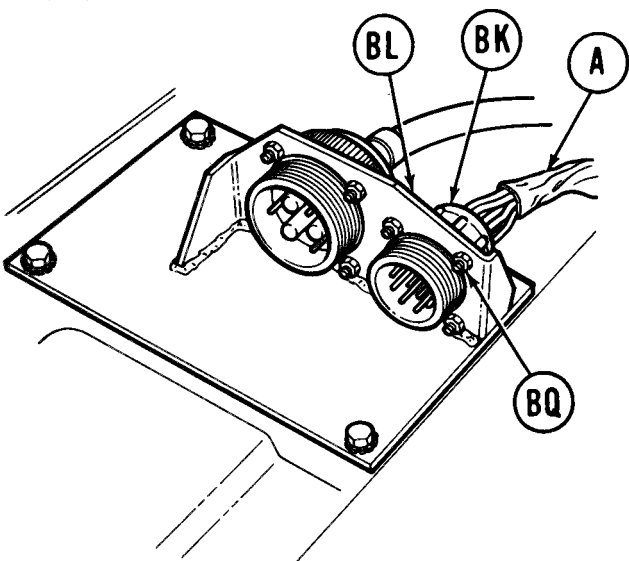
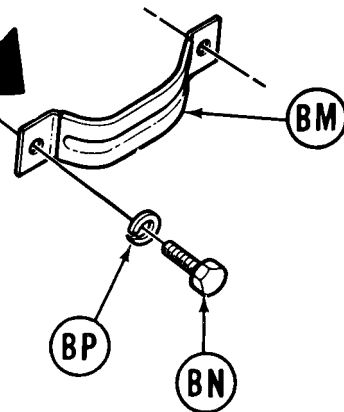
TA168947

ENGINE WIRING HARNESS REPLACEMENT (Sheet 12 of 12)

47. Place wiring harness (A) along side of engine and place electrical connector (BK) in position in engine disconnect bracket (BL).



48. Place four clamps (BM) over wiring harness (A).
49. Using 7/8 inch wrench, install eight screws (BN) and lockwashers (BP).



50. Make sure wiring harness (A) and electrical connector (BK) are in position in engine disconnect mounting bracket (BL).
51. Using screwdriver and 3/8 inch wrench, install four screws, lockwashers and nuts (BQ).
52. Install powerplant (page 5-14).

End of Task

TA249238

**STARTER FEED WIRING HARNESS REPLACEMENT (Sheet 1 of 5)**

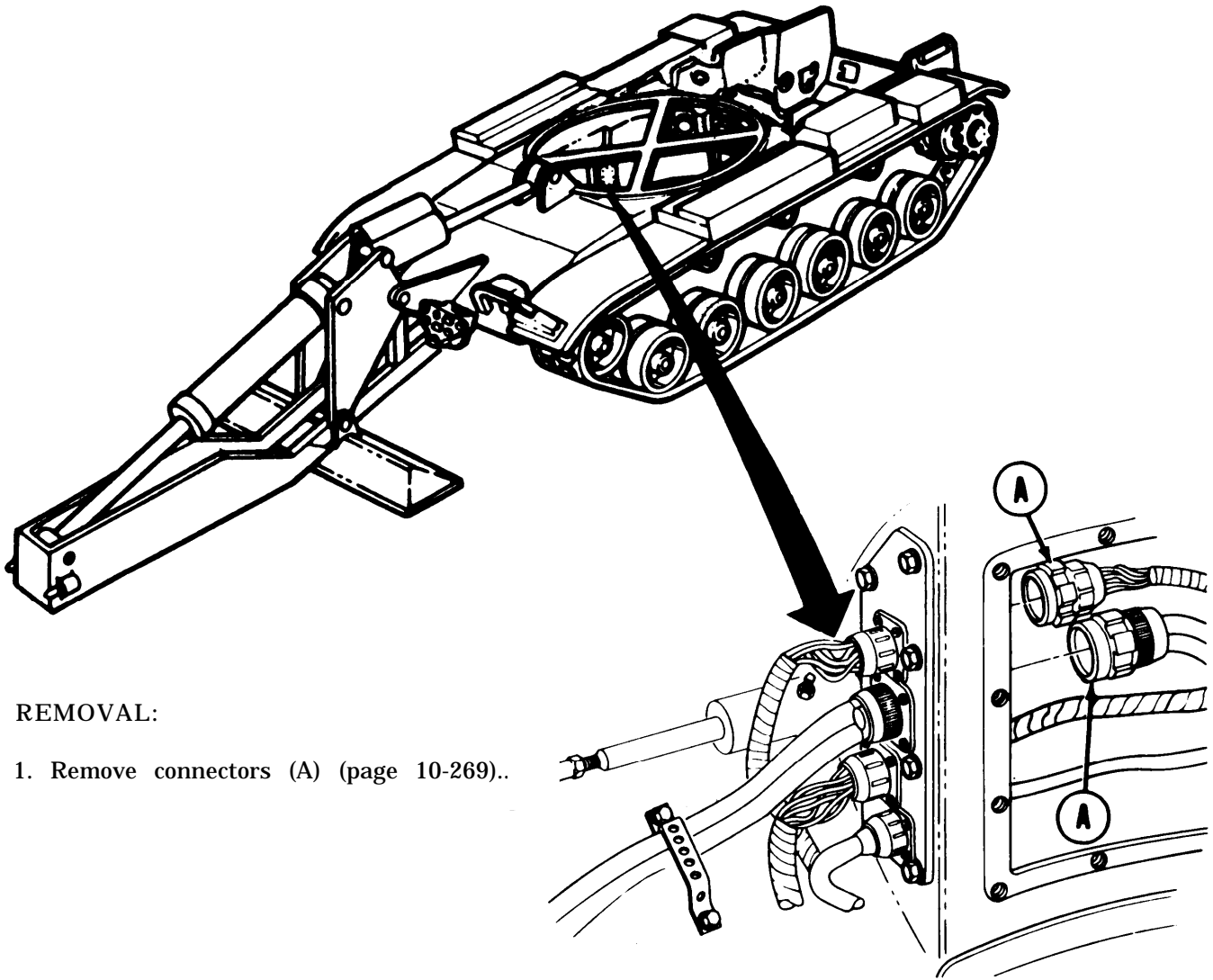
PROCEDURE INDEX

PROCEDURE	PAGE
Removal	10-296.2
Installation	10-296.4

TOOLS: Spanner wrench  
 7/16 in. combination box and open end wrench

SUPPLIES: Lockwashers (11 required)

PRELIMINARY PROCEDURE: Remove right fuel tank (page 7-334)



REMOVAL:

1. Remove connectors (A) (page 10-269)..

Go on to Sheet 2

TA250990

STARTER FEED WIRING HARNESS REPLACEMENT (Sheet 2 of 5)

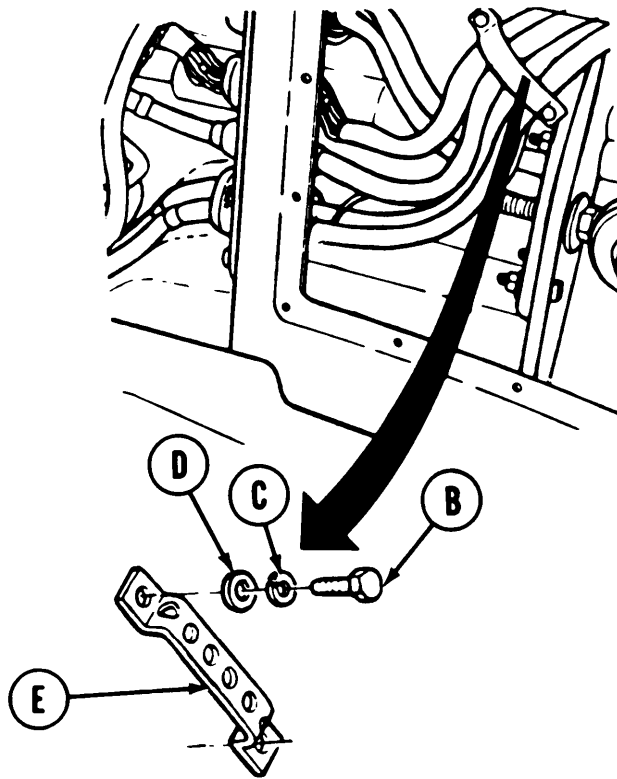
NOTE

Strap type clamps should be left in place by removing only one screw. If replacement of strap is required, remove both screws.

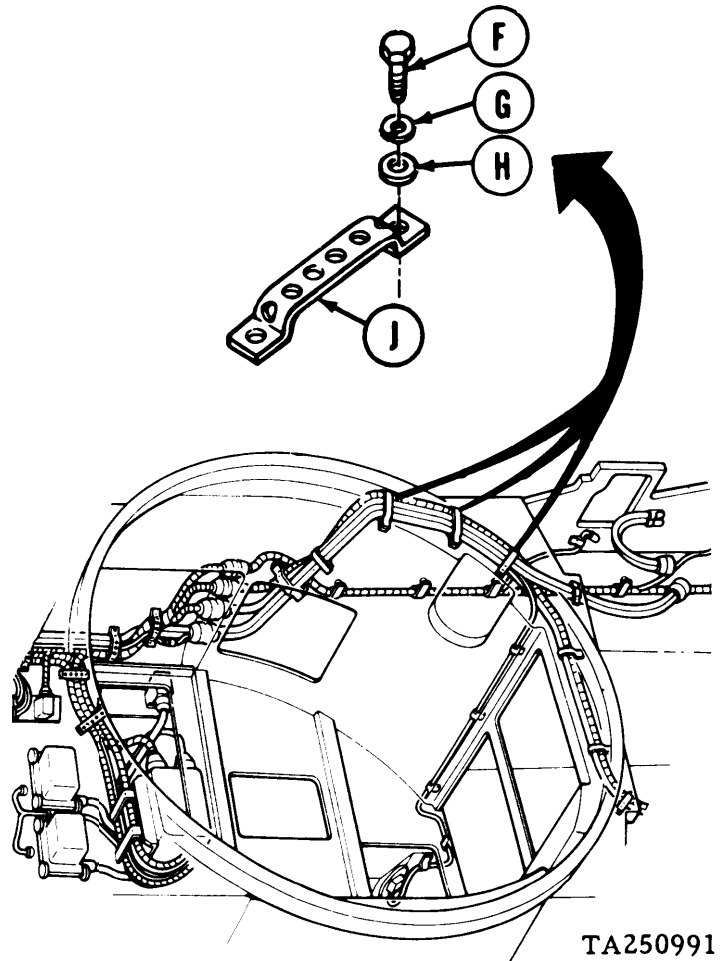
NOTE

Some vehicles have a cable tie instead of strap (E). If your vehicle has a cable tie, remove it and go on to step 3.

- Using 7/16 inch wrench, remove screw (B), lockwasher (C), and flat washer (D) from strap (E).



- From engine compartment, using 7/16 inch wrench, remove screws (F), lockwashers (G), and flat washers (H) from three straps (J).

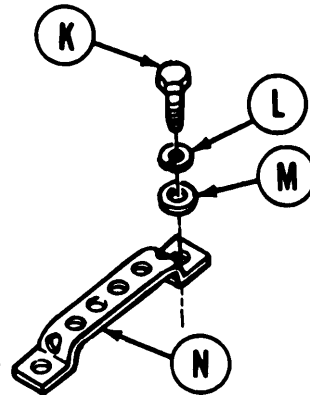


Go on to Sheet 3

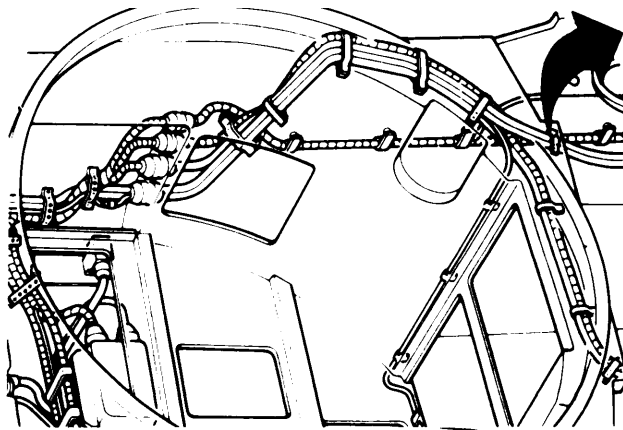
TA250991

**STARTER FEED WIRING HARNESS REPLACEMENT (Sheet 3 of 5)**

- Using 7/16 inch wrench, remove screw (K), lockwasher (L), and flat washer (M) from strap (N).

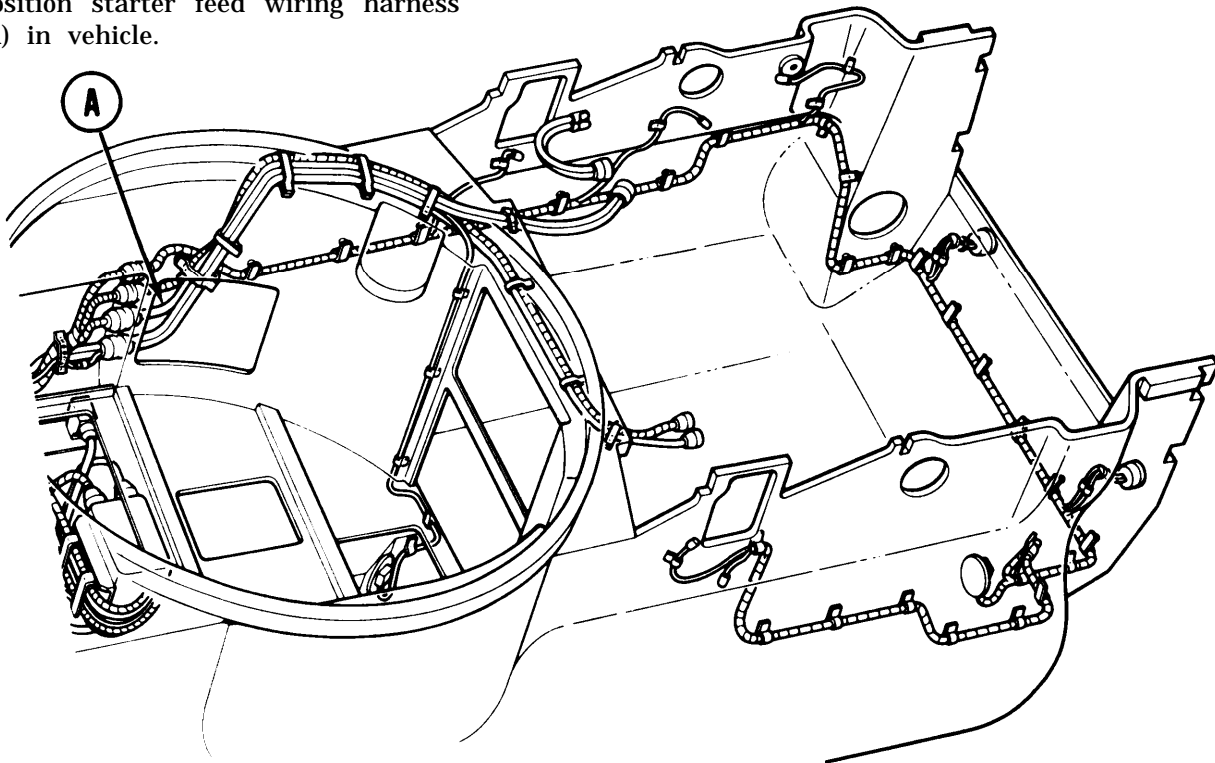


- Remove starter feed wiring harness from vehicle.



**INSTALLATION:**

- Position starter feed wiring harness (A) in vehicle.

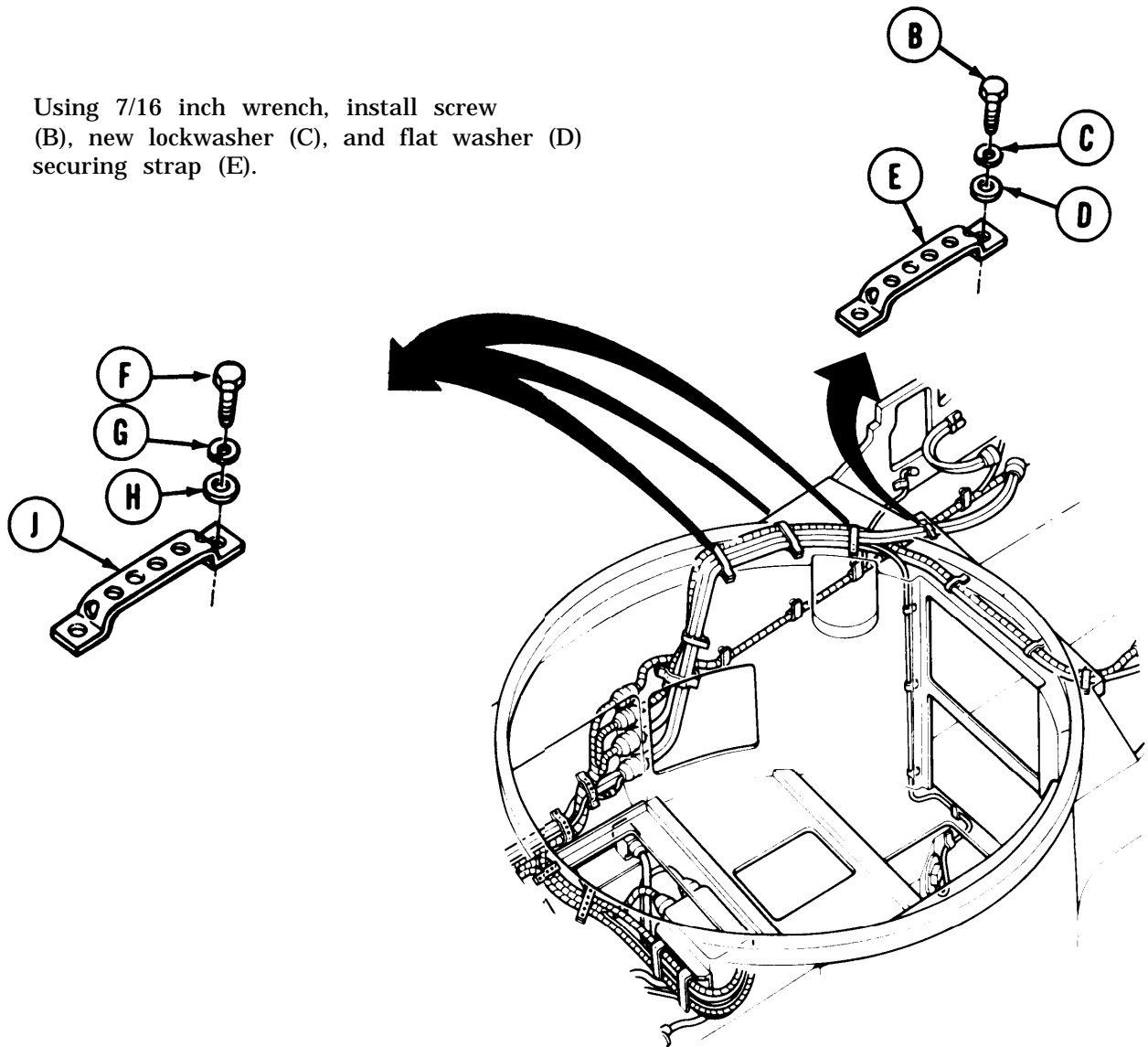


Go on to Sheet 4

TA250992

**STARTER FEED WIRING HARNESS REPLACEMENT (Sheet 4 of 5)**

2. Using 7/16 inch wrench, install screw (B), new lockwasher (C), and flat washer (D) securing strap (E).



3. Using 7/16 inch wrench, install two screws (F), new lockwashers (G), and flat washers (H) securing three straps (J).

Go onto Sheet 5

TA250993

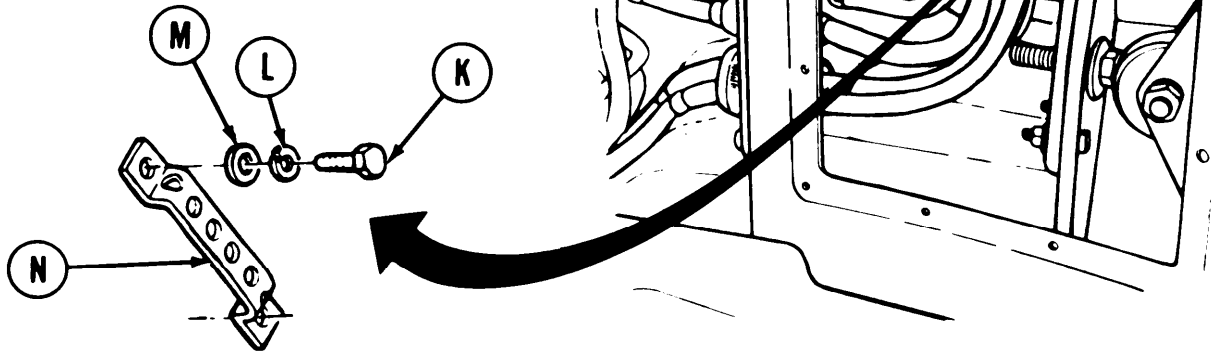
Change 6 10-296.5

STARTER FEED WIRING HARNESS REPLACEMENT (Sheet 5 of 5)

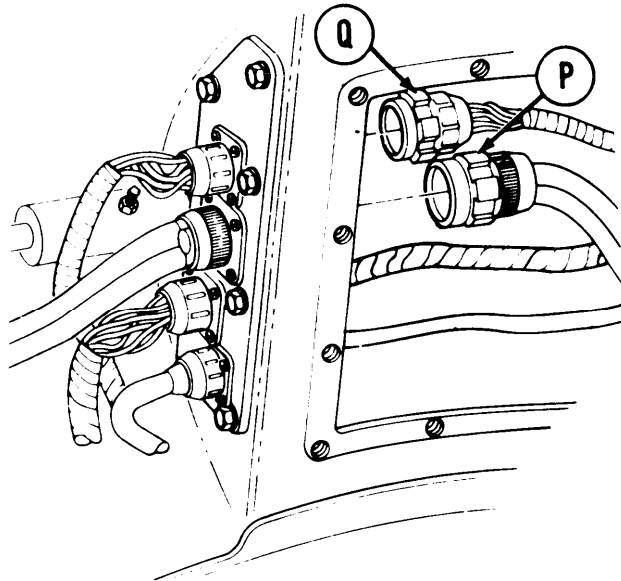
NOTE

If your vehicle did not have strap (N), go on to step 5.

- Using 7/16 inch wrench, install screw (K), new lockwasher (L), and flat washer (M) securing strap (N).



- Install connectors (P) and (Q) (page 10-270).
- Install right fuel tank (page 7-341).



End of Task

TA251 31



**ENGINE DISCONNECT WIRING HARNESS REPLACEMENT (Sheet 1 of 6)**

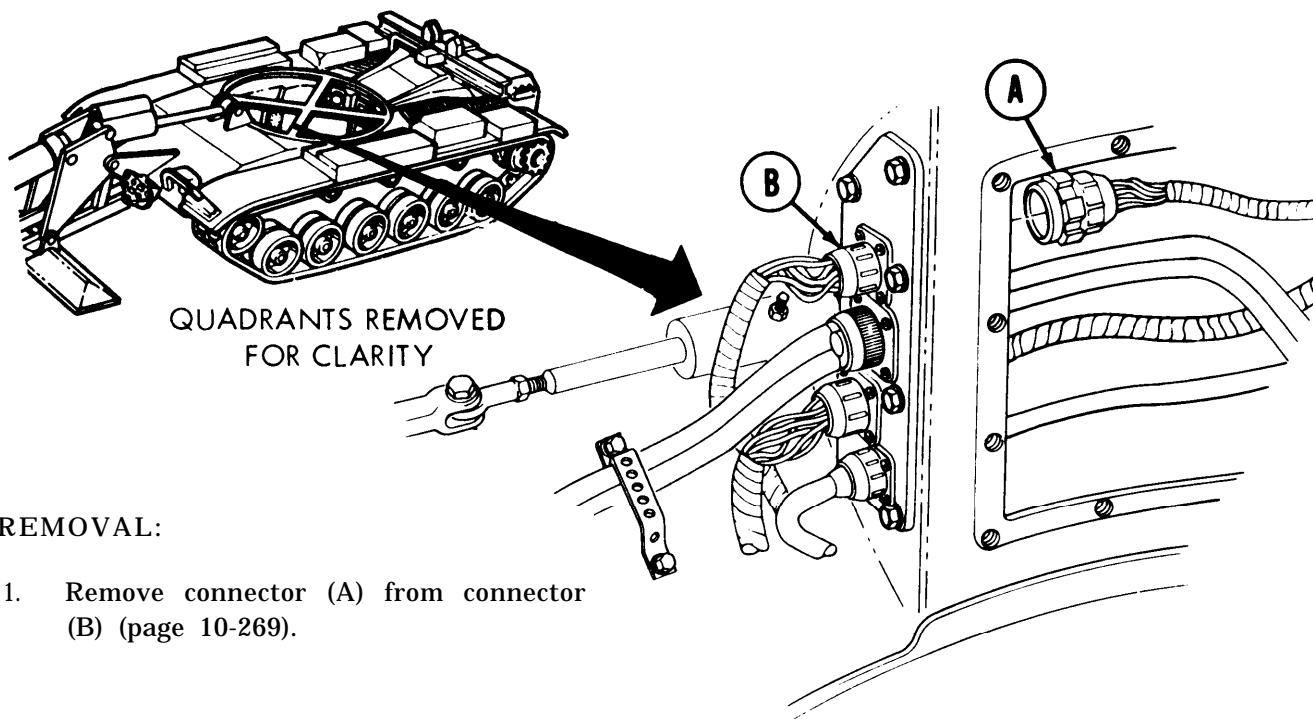
PROCEDURE INDEX

PROCEDURE	PAGE
Removal	10-296.7
Installation	10-296.10

TOOLS: Spanner wrench  
 7/16 in. combination box and open end wrench

SUPPLIES: Lockwashers (12 required)

PRELIMINARY PROCEDURE: Remove right fuel tank (page 7-334).



REMOVAL:

1. Remove connector (A) from connector (B) (page 10-269).

Go on to Sheet 2

TA250994

Change 6 10-296.7

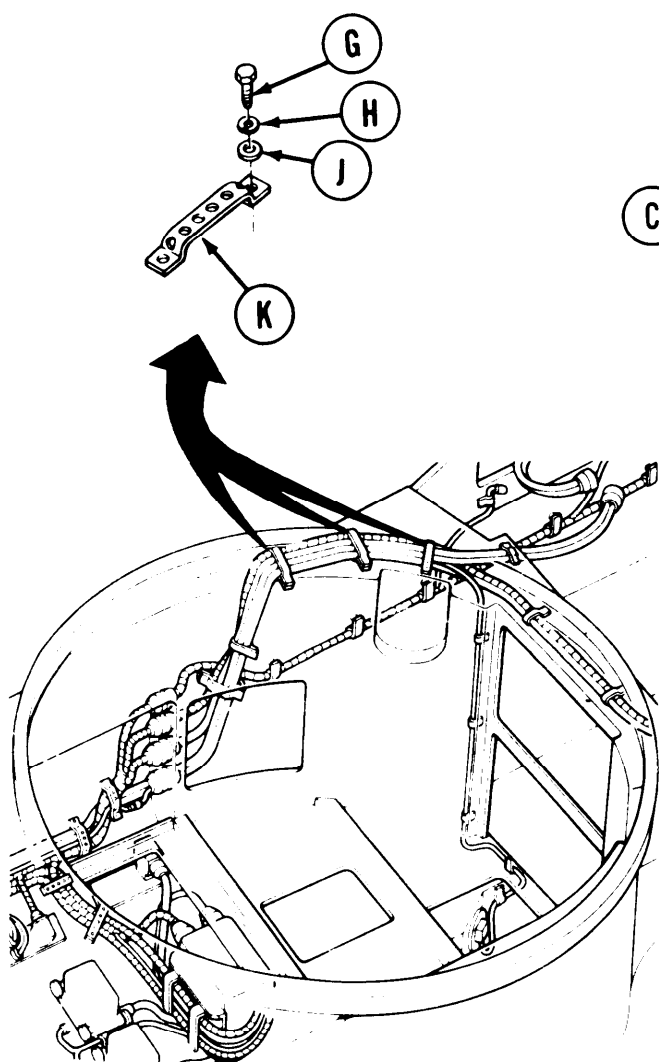
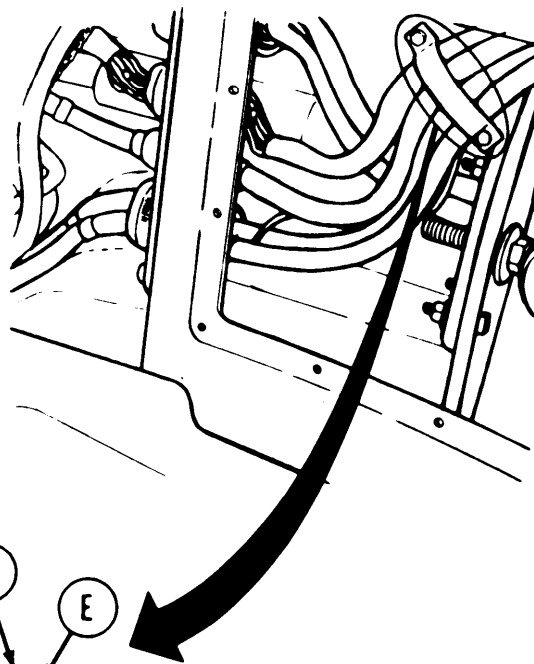
ENGINE DISCONNECT WIRING HARNESS REPLACEMENT (Sheet 2 of 6)

NOTE

Some vehicles may have a cable tie instead of strap (C). If your vehicle has a cable tie, remove it and go on to step 4.

NOTE

Strap and covers should be left in place by removing only one screw. If replacement of strap is required, remove both screws.



2. Using 7/16 inch wrench, remove screw (D), lockwasher (E), and flat washer (F) from strap (C).
3. Using 7/16 inch wrench, remove screws (G), lockwashers (H), and flat washers (J) from three straps (K).

Go on to Sheet 3

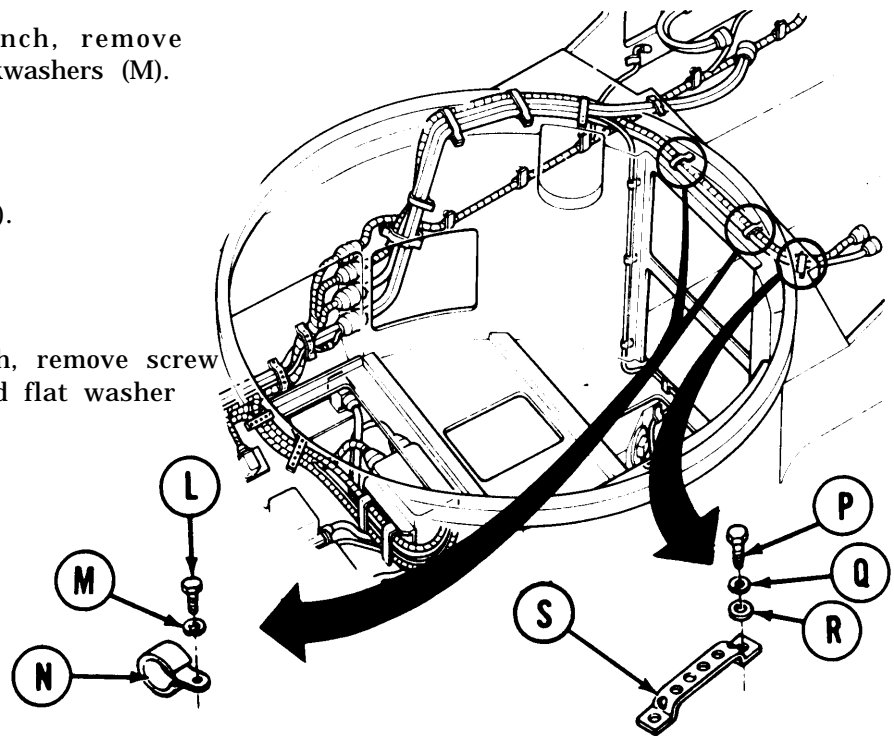
TA250995

**ENGINE DISCONNECT WIRING HARNESS REPLACEMENT (Sheet 3 of 6)**

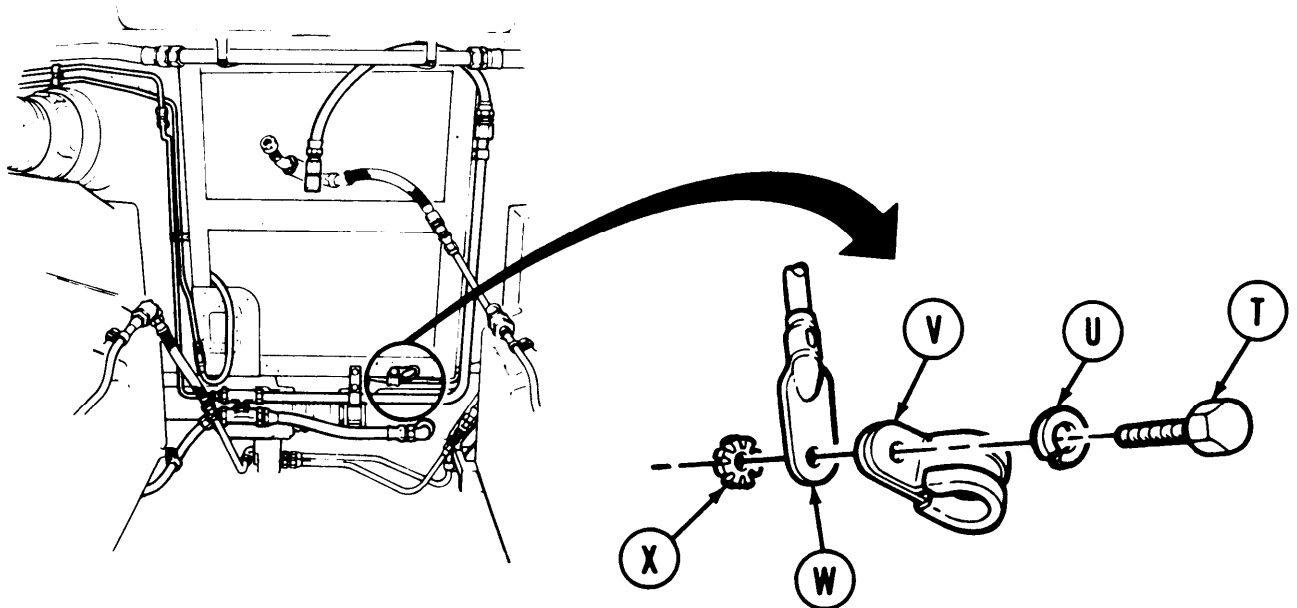
4. Using 7/16 inch wrench, remove two screws (L) and lockwashers (M).

5. Remove two clamps (N).

6. Using 7/16 inch wrench, remove screw (P), lockwasher (Q), and flat washer (R) from strap (S).



7. Using 7/16 inch wrench, remove screw (T), lockwasher (U), clamp (V), fuel pump ground lead (W), and star washer (X).

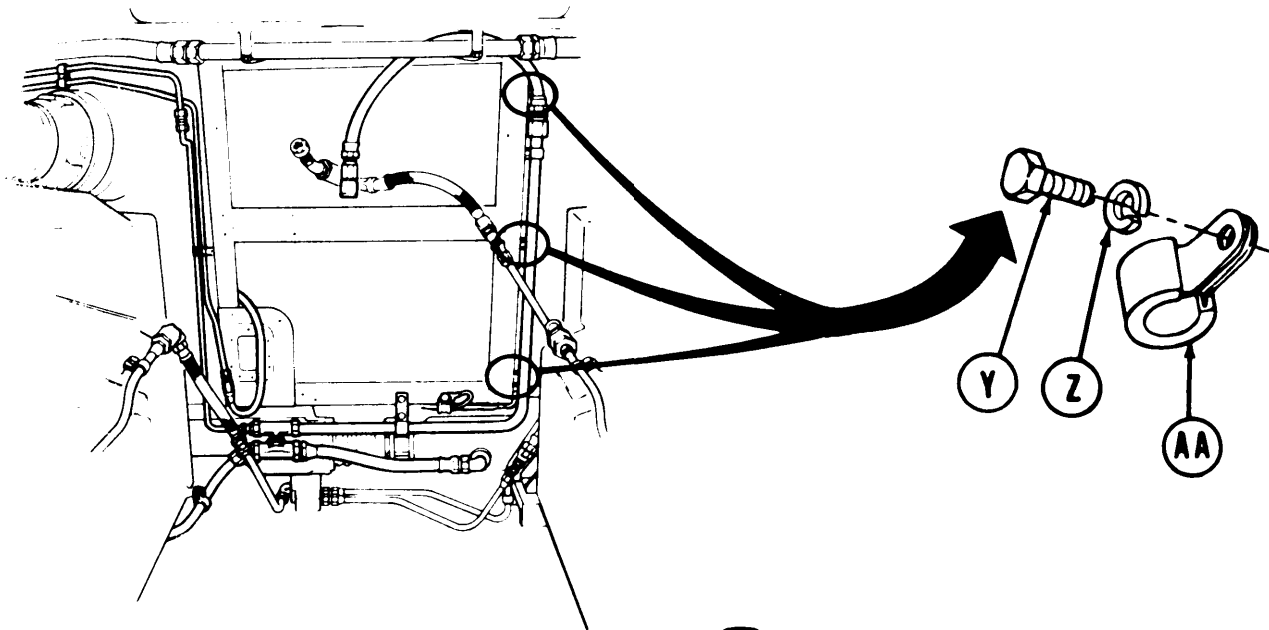


Go on to Sheet 4

TA250996

ENGINE DISCONNECT WIRING HARNESS REPLACEMENT (Sheet 4 of 6)

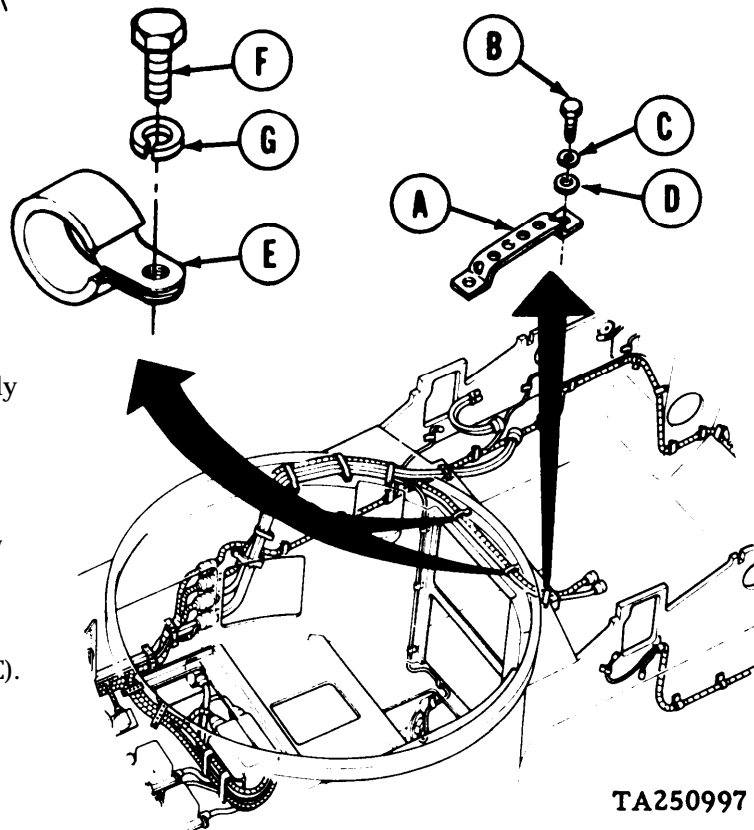
8. Using 7/16 inch wrench, remove three screws (Y), lockwashers (Z), and clamps (AA).



9. Remove engine disconnect lead from vehicle.

INSTALLATION:

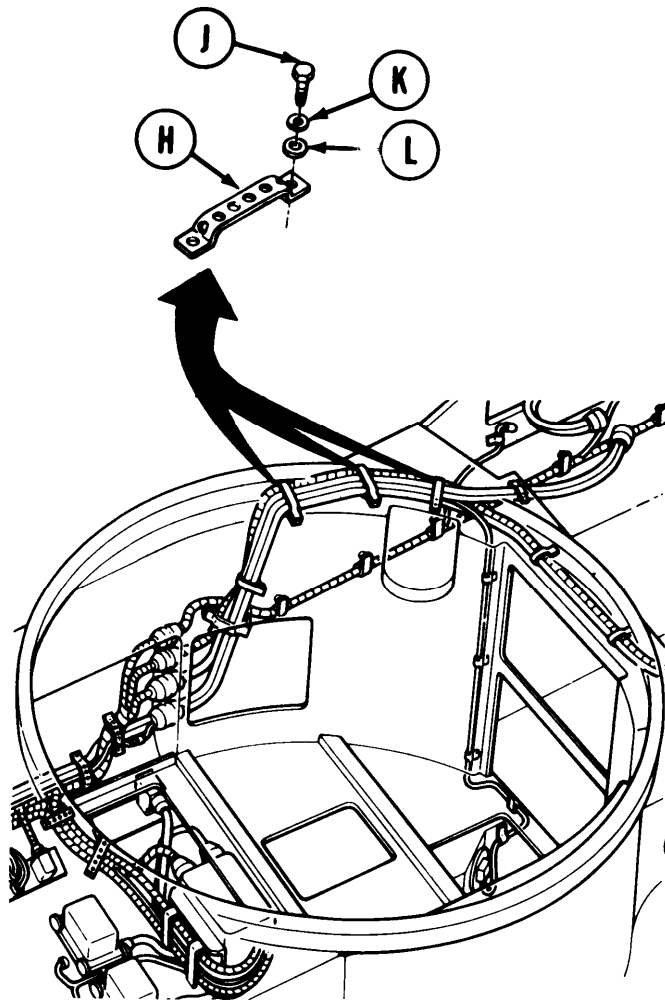
1. Place engine disconnect lead assembly in position in vehicle.
2. Place lead assembly in strap (A).
3. Using 7/16 inch wrench, install screw (B), new lockwasher (C), and flat washer (D).
4. Place lead assembly in two clamps (E).
5. Using 7/16 inch wrench, install two screws (F) and new lockwashers (G).



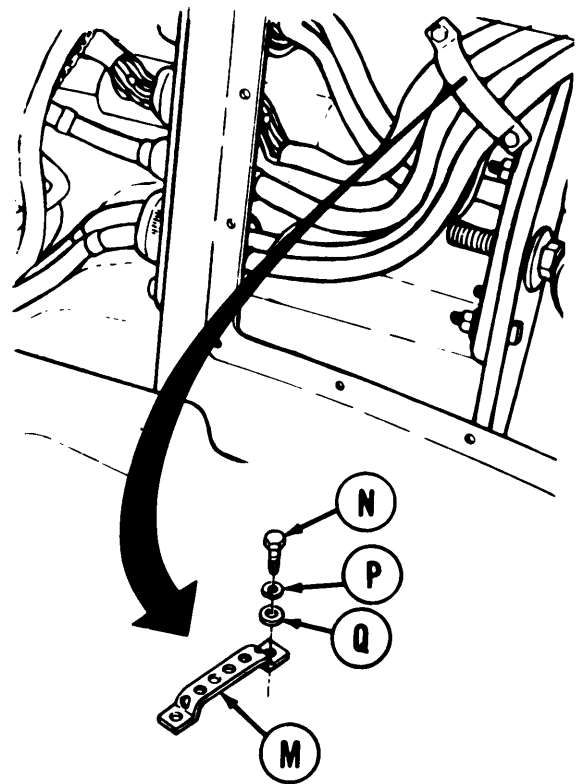
Go on to Sheet 5

TA250997

ENGINE DISCONNECT WIRING HARNESS REPLACEMENT (Sheet 5 of 6)



6. Place lead assembly in three straps (H).
7. Using 7/16 inch wrench, install three screws (J), new lockwashers (K), and flat washers (L) to secure three straps (H).



8. Place strap (M) in position.
9. Using 7/16 inch wrench, install screw (N), new lockwasher (P), and flat washer (Q).

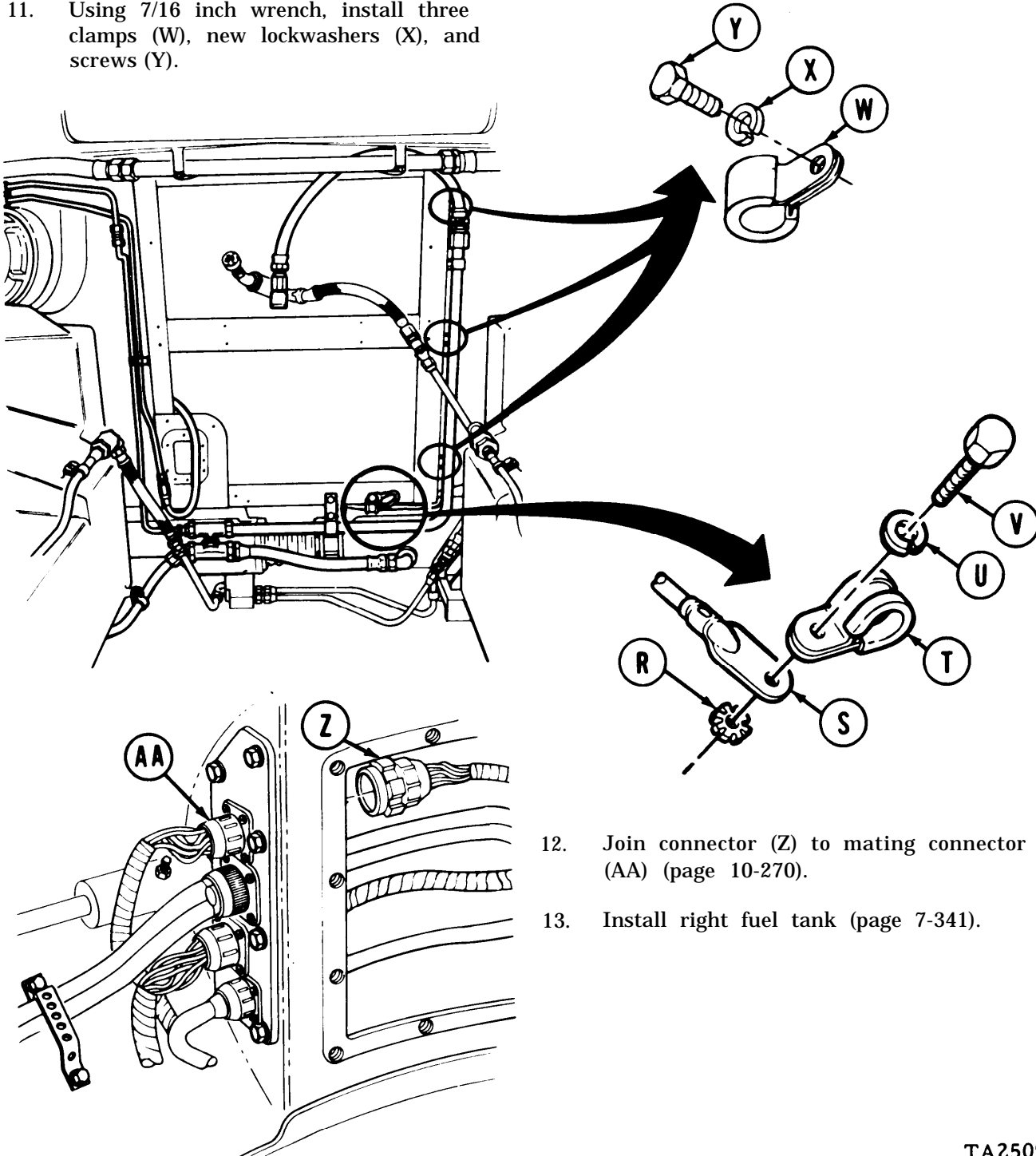
Go on to Sheet 6

TA250998

Change 6 10-296.11

**ENGINE DISCONNECT WIRING HARNESS REPLACEMENT (Sheet 6 of 6)**

10. Place new lockwasher (R), ground terminal (S), clamp (T), and new lockwasher (U) in position. Using 7/16 inch wrench, install screw (V).
11. Using 7/16 inch wrench, install three clamps (W), new lockwashers (X), and screws (Y).



12. Join connector (Z) to mating connector (AA) (page 10-270).
13. Install right fuel tank (page 7-341).

End of Task

TA250999

**POWER RELAY CABLE ASSEMBLY REPLACEMENT (Sheet 1 of 5)**

PROCEDURE INDEX

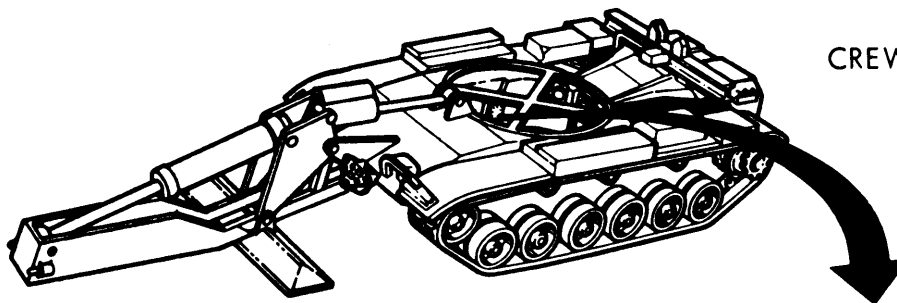
PROCEDURE	PAGE
Removal	10-296.13
Installation	10-296.15

TOOLS: 7/16-inch combination box and open end wrench

SUPPLIES: Lockwashers (7 required)

REFERENCE: TM 5-5420-226-10

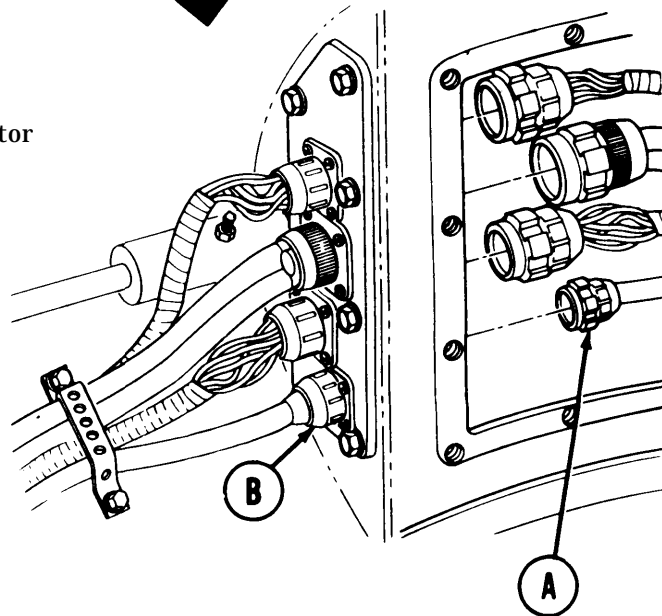
PRELIMINARY PROCEDURE: Remove right fuel tank (page 7-334)



CREW HATCHES REMOVED FOR CLARITY

REMOVAL:

1. Remove connector (A) from mating connector (B) (page 10-269).



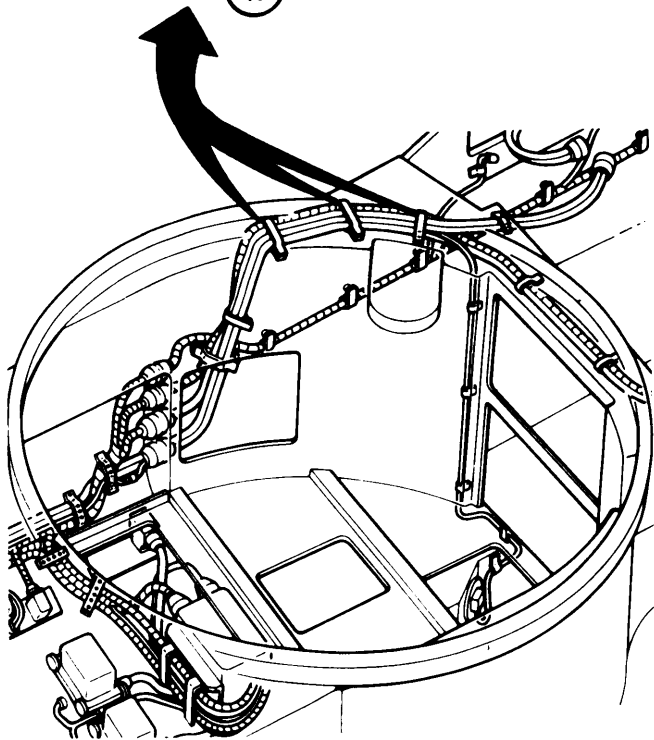
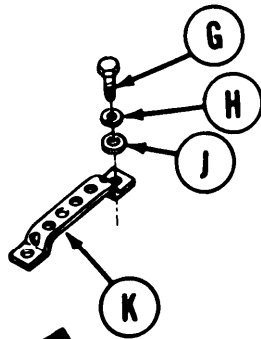
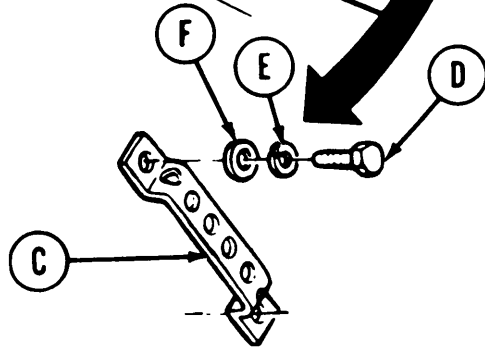
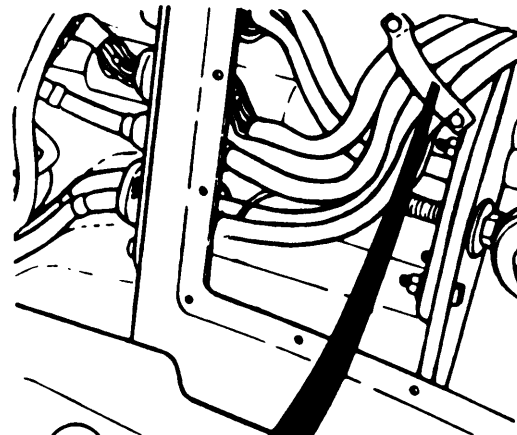
Go on to Sheet 2

TA251000

POWER RELAY CABLE ASSEMBLY REPLACEMENT (Sheet 2 of 5)

NOTE

- Some vehicles may have a cable tie instead of strap (C). If your vehicle has a cable tie, remove it and go on to step 3.
  - Strap and covers should be left in place by removing only one screw. If replacement of strap is required, remove both screws.
2. Using 7/16 inch wrench, remove screw (D), lockwasher (E), and flat washer (F) from strap (C).



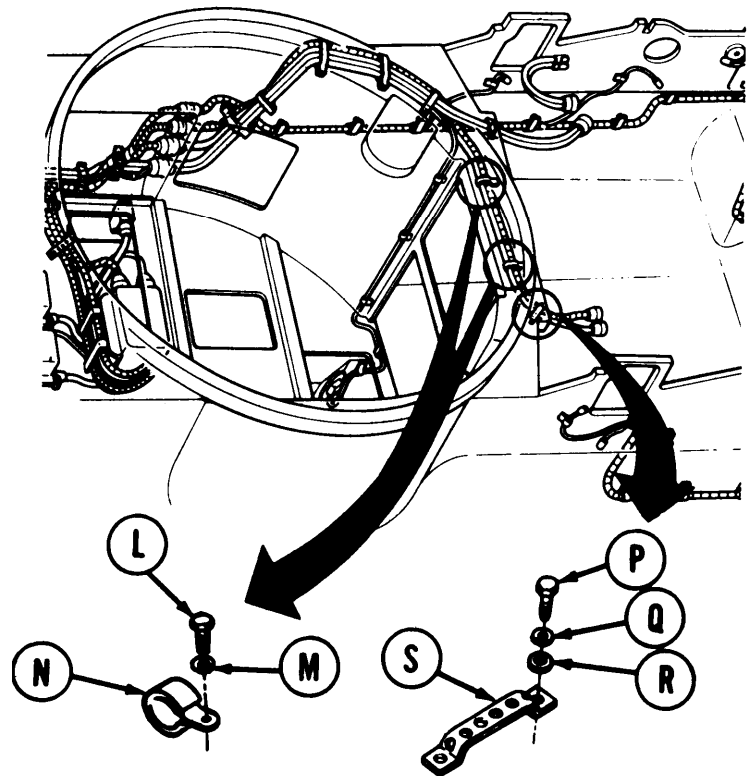
3. Using 7/16 inch wrench, remove screws (G), lockwashers (H), and flat washers (J) from three straps (K).

Go on to Sheet 3



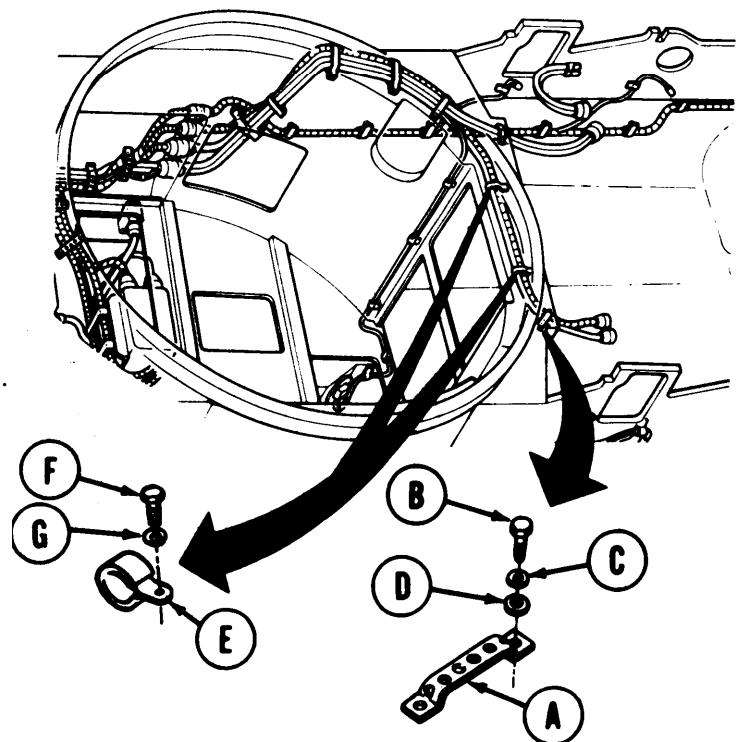
**POWER RELAY CABLE ASSEMBLY REPLACEMENT (Sheet 3 of 5)**

4. Using 7/16 inch wrench, remove two screws (L) and lockwashers (M).
5. Remove two clamps (N).
6. Using 7/16 inch wrench, remove screw (P), lockwasher (Q), and flat washer (R) from strap (S).
7. Remove engine disconnect cable from vehicle.



**INSTALLATION:**

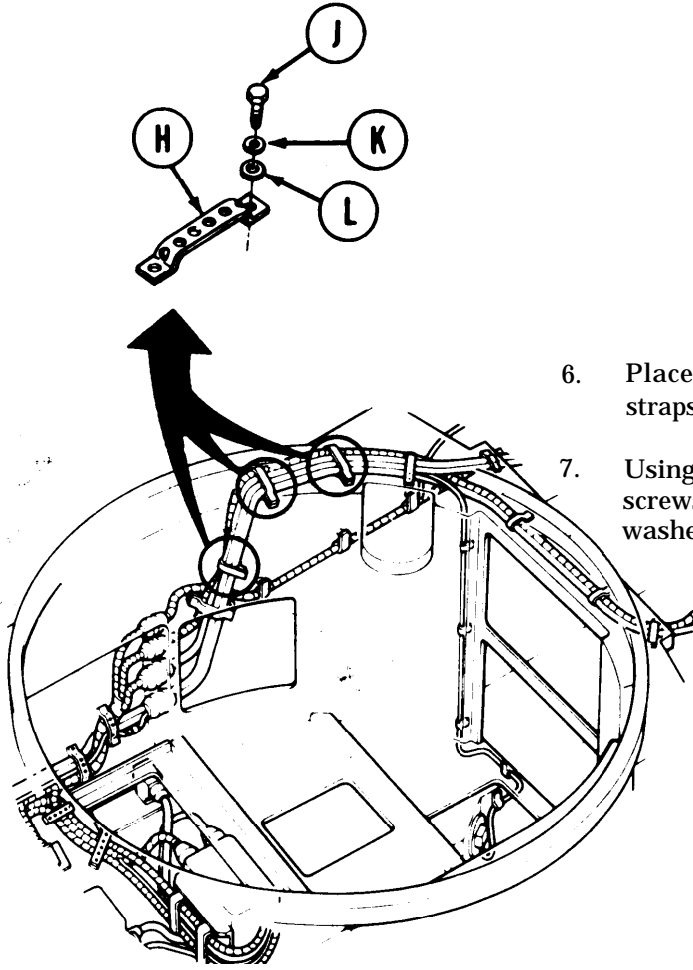
1. Place engine disconnect cable assembly in vehicle.
2. Place cable assembly in strap (A).
3. Using 7/16 inch wrench, install screw (B), new lockwasher (C), and flat washer (D).
4. Place cable assembly in two clamps (E).
5. Using 7/16 inch wrench, install two screws (F) and new lockwashers (G).



Go on to Sheet 4

TA251002

POWER RELAY CABLE ASSEMBLY REPLACEMENT (Sheet 4 of 5)

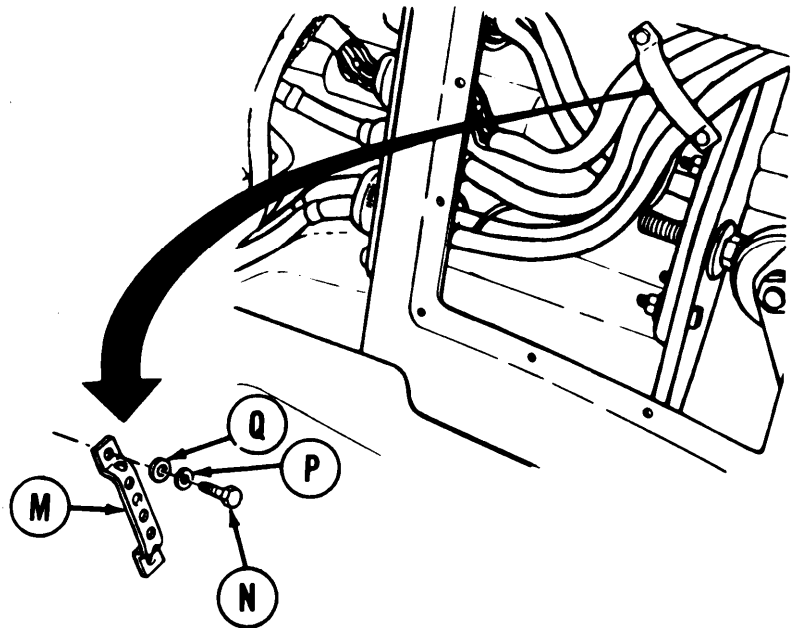


6. Place cable assembly in three straps (H).
7. Using 7/16 inch wrench, install three screws (J), new lockwashers (K), and flat washers (L) to secure three straps (H).

**NOTE**

If your vehicle did not have strap (M), go on to step 10.

8. Place strap (M) in position.
9. Using 7/16 inch wrench, install screw (N), new lockwasher (P), and flat washer (Q).

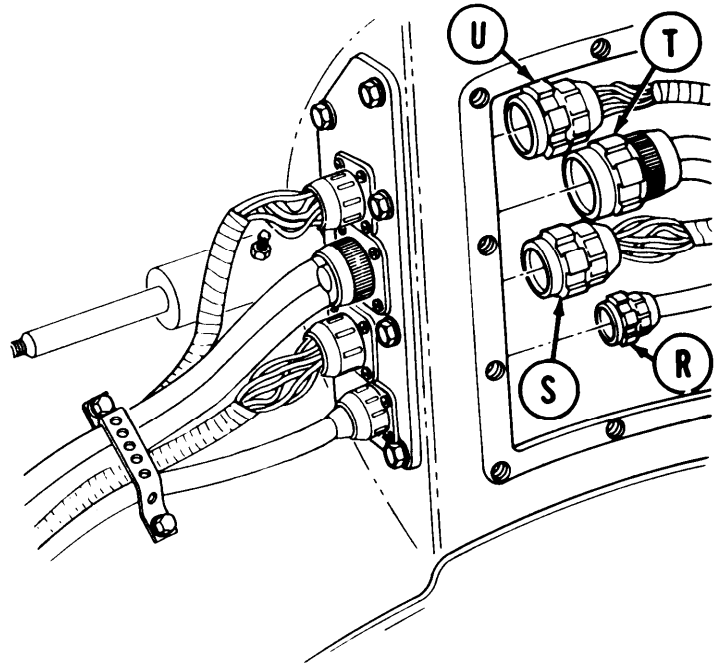


Go on to Sheet 5

TA251003

**POWER RELAY CABLE ASSEMBLY REPLACEMENT (Sheet 5 of 5)**

10. Install connectors (R), (S), (T), and (U) (page 10-270). If removed for access.
11. Install right fuel tank (page 7-341).



End of Task

TA251004

Change 6 10-296.17

REAR ACCESSORY WIRING HARNESS REPLACEMENT (Sheet 1 of 7)

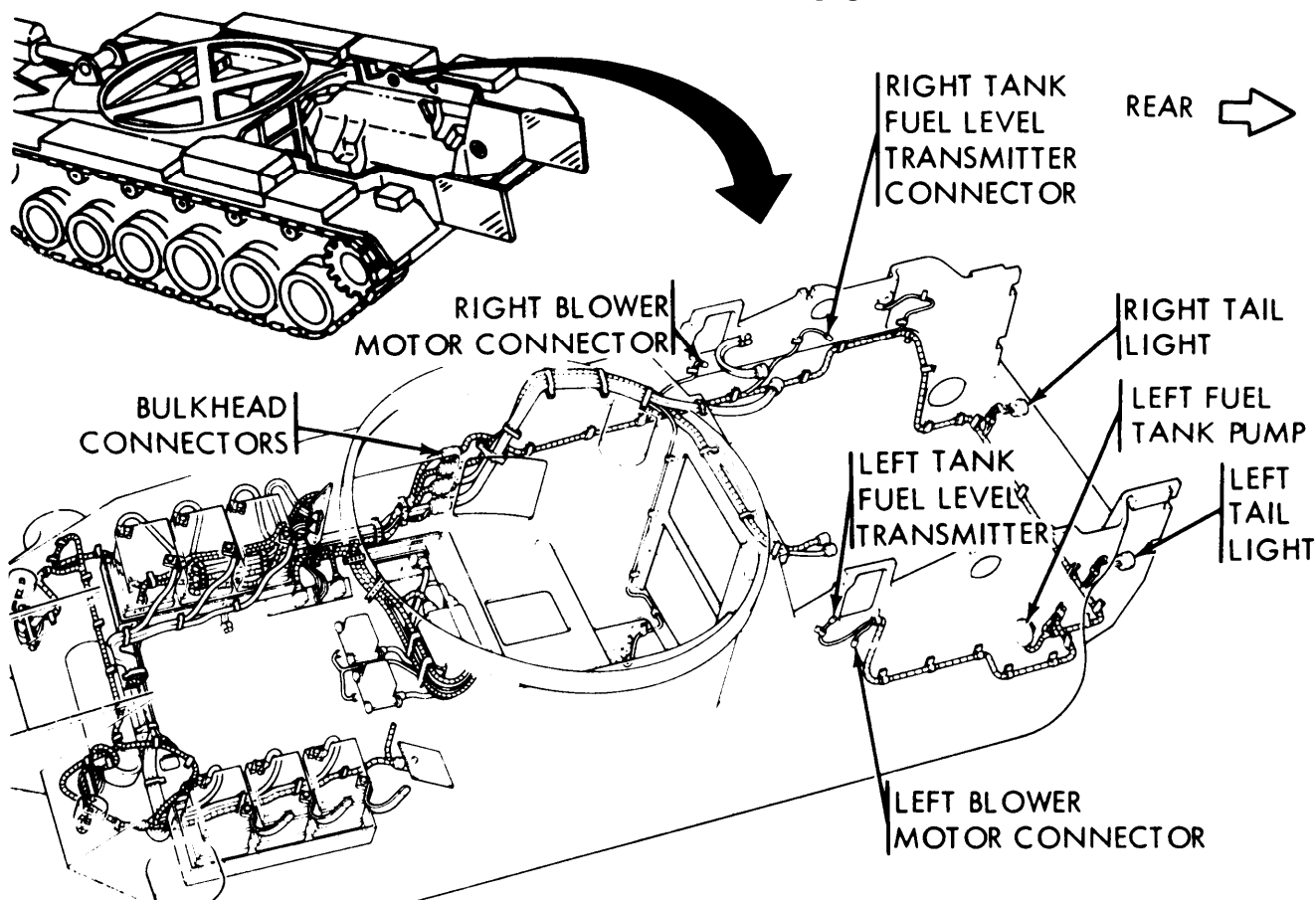
PROCEDURE INDEX

PROCEDURE	PAGE
Removal	10-296.19
Installation	10-296.22

TOOLS: 7/16 in. socket with 1/2 in. drive  
 5 in. extension with 1/2 in. drive  
 Spanner wrench  
 Ratchet with 1/2 in. drive

SUPPLIES: Silicone compound (Item 32, Appendix D)  
 Lockwashers (26 required)

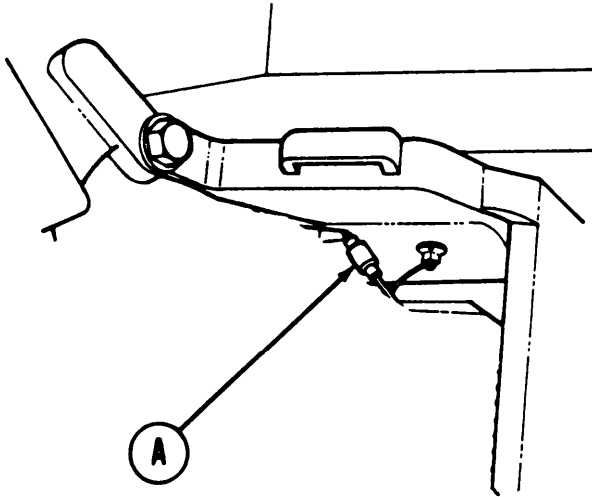
PRELIMINARY PROCEDURES: Disconnect three ground straps (page 10-268)  
 Remove right fuel tank (page 7-334)  
 Remove left fuel tank (page 7-349)



Go on to Sheet 2

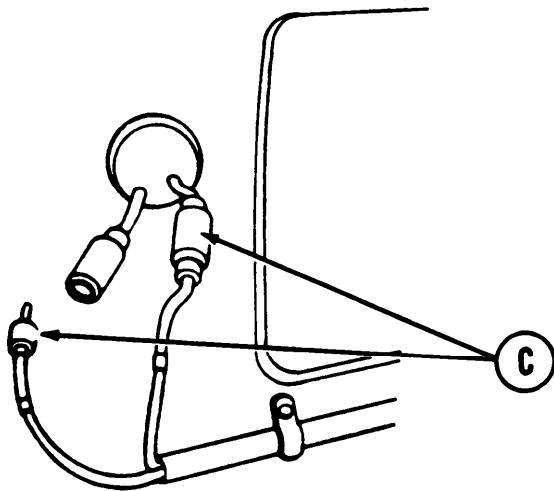
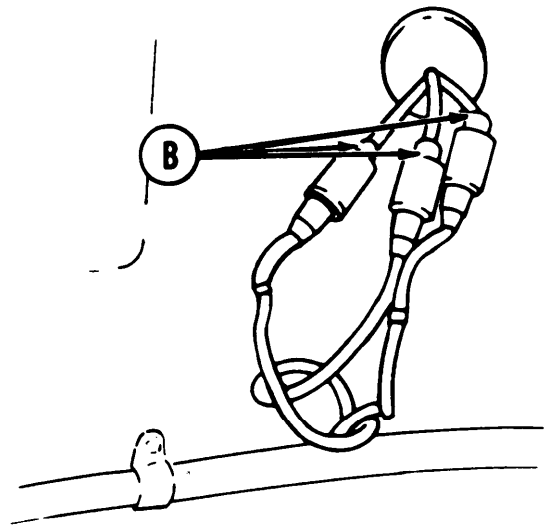
**REAR ACCESSORY WIRING HARNESS REPLACEMENT (Sheet 2 of 7)**

**REMOVAL:**



1. Disconnect connector (A) of left air cleaner blower lead.

2. Disconnect three connector leads (B) from left taillight/stoplight.

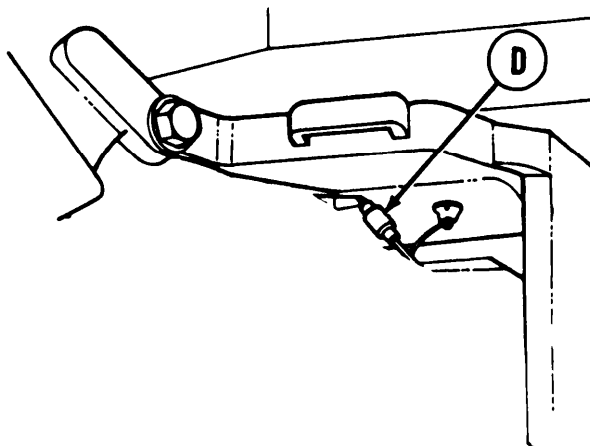


3. Disconnect two connector leads (C) from right blackout taillight/stoplight.

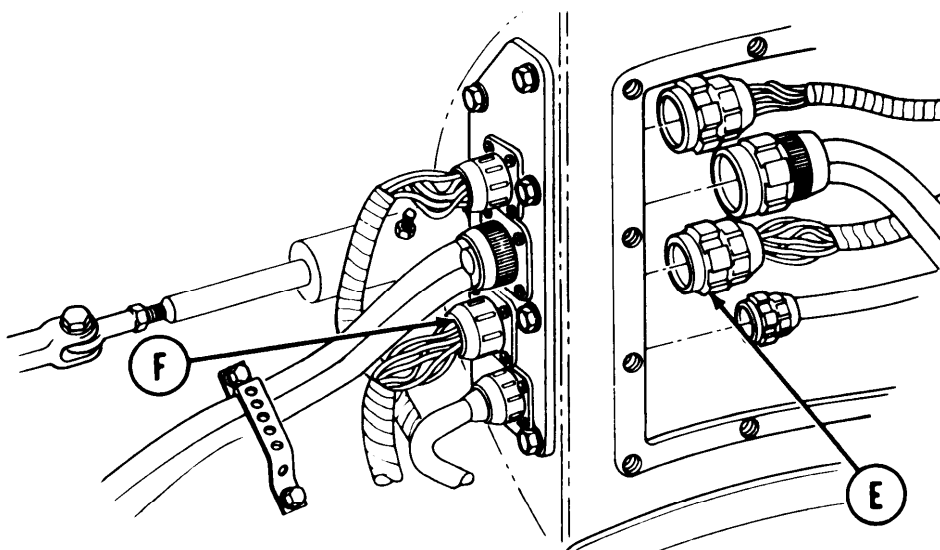
Go on to Sheet 3

REAR ACCESSORY WIRING HARNESS REPLACEMENT (Sheet 3 of 7)

4. Disconnect connector lead (D) from right air cleaner blower.



5. Remove connector (E) from mating connector (F) (page 10-269).



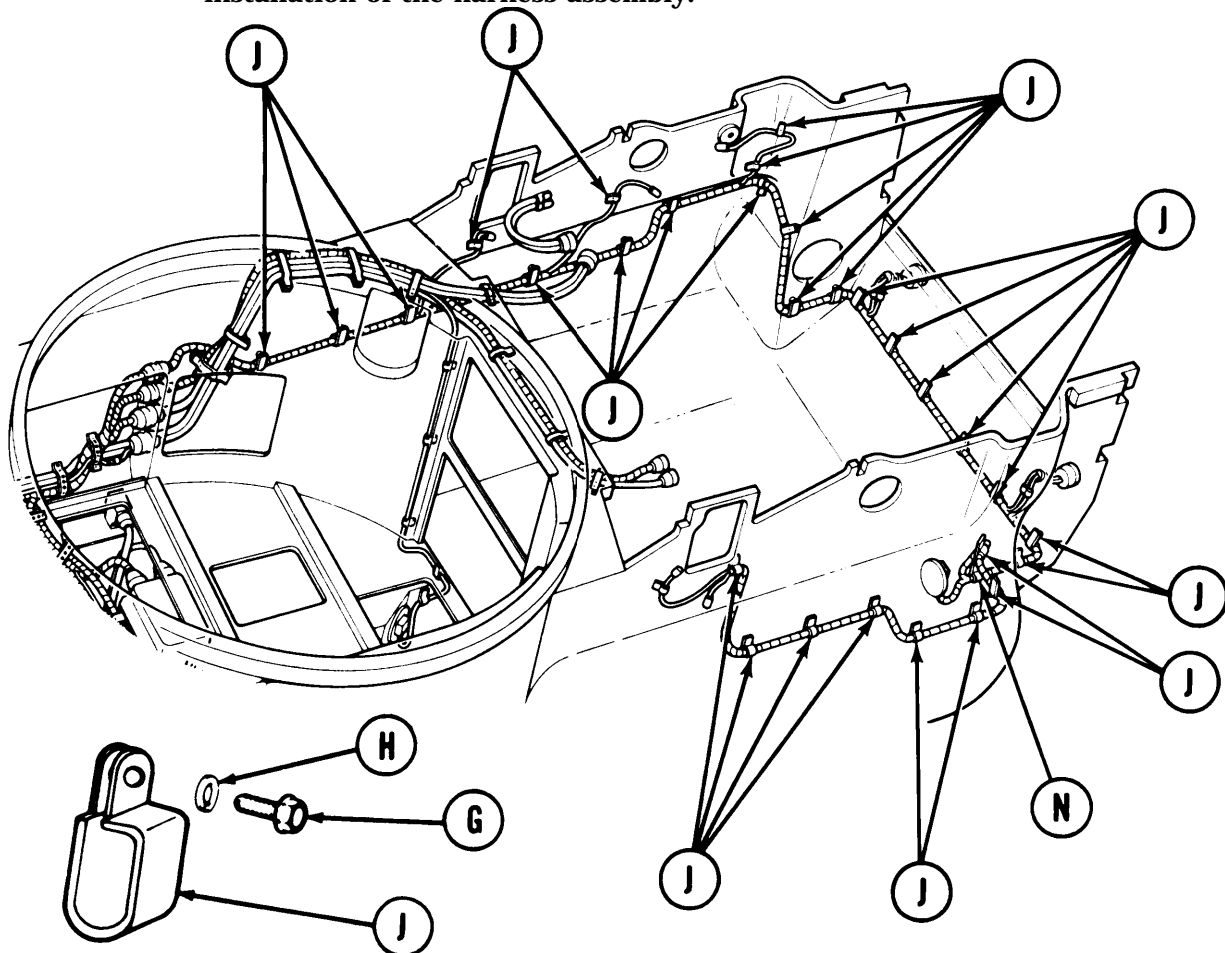
Go on to Sheet 4

TA251007

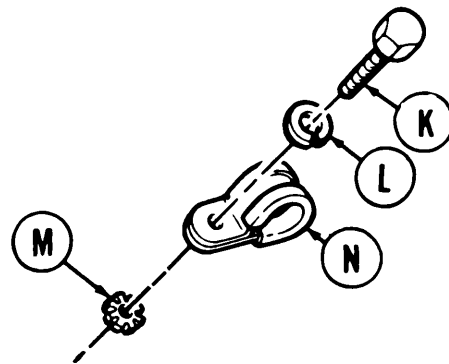
REAR ACCESSORY WIRING HARNESS REPLACEMENT (Sheet 4 of 7)

NOTE

The following illustration shows the location of clamps and straps used to secure the harness assembly to the vehicle. Note clamps and straps removed, to aid installation of the harness assembly.



6. Using 7/16 inch socket and extension, remove screws (G) and lockwashers (H) securing mounting clamps (J).
7. Using 7/16 inch socket and extension, remove screw (K), lockwasher (L), and star washer (M) securing mounting clamp (N).
8. Remove harness assembly from vehicle.



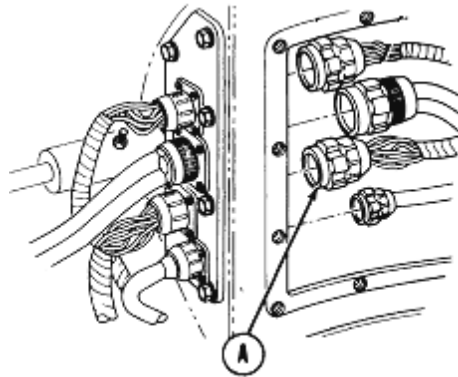
Go on to Sheet 5

TA251008

## REAR ACCESSORY WIRING HARNESS REPLACEMENT (Sheet 5 of 7)

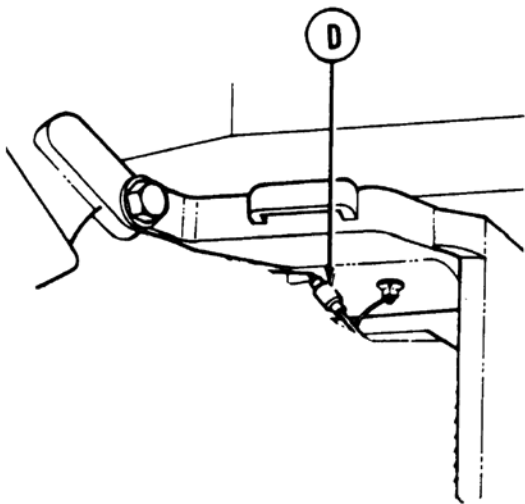
### INSTALLATION:

1. Install and route replacement harness assembly into vehicle as shown on page 10-296.21.
2. Install connector (A) (page 10-269).



### NOTE

Apply silicone compound (Item 10, Appendix B) to lubricate rubber mating surfaces. Be sure compound is not applied to electrical contacts.

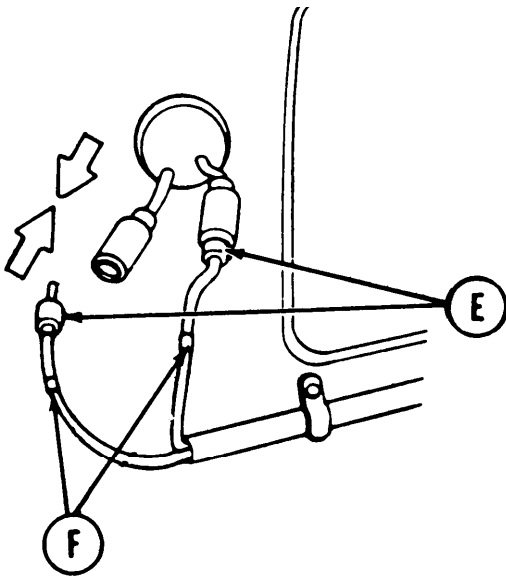


3. Connect right air cleaner blower lead (D) (CKT 415B).

Go on to Sheet 6

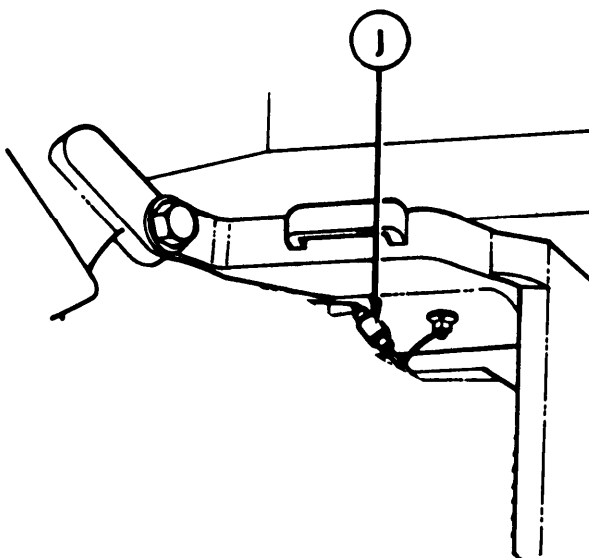
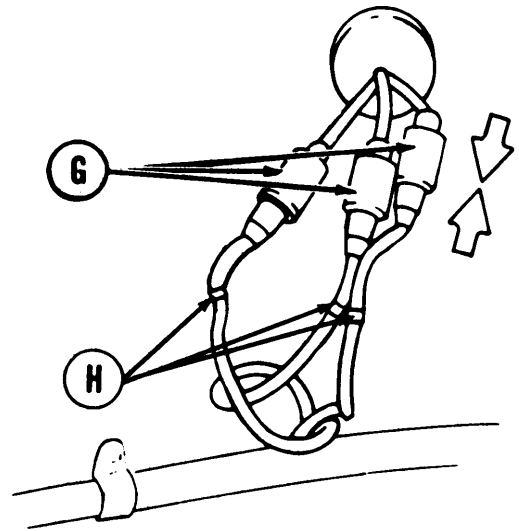


REAR ACCESSORY WIRING HARNESS REPLACEMENT (Sheet 6 of 7)



4. Apply silicone compound to connectors (E).
5. Check metal band markers (F) on leads (CKT 23, 24) and connect mating circuits for right taillight.

6. Apply silicone compound to connectors (G).
7. Check metal band markers (H) on leads (CKT 21, 22, 24) and connect mating circuits for left taillight.

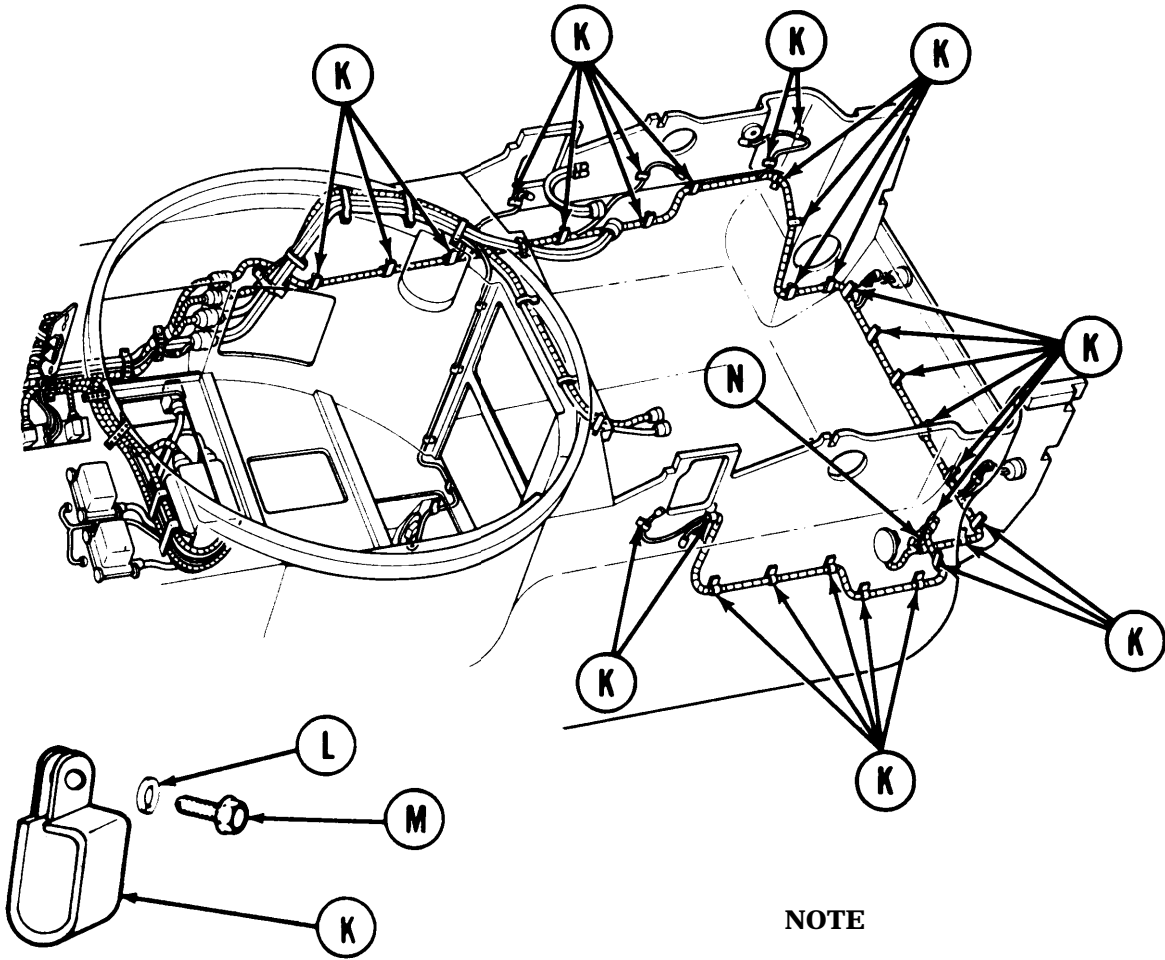


8. Apply silicone compound to connector (J) and connect (CKT 415B) to left air cleaner blower lead.

Go on to Sheet 7

TA251010

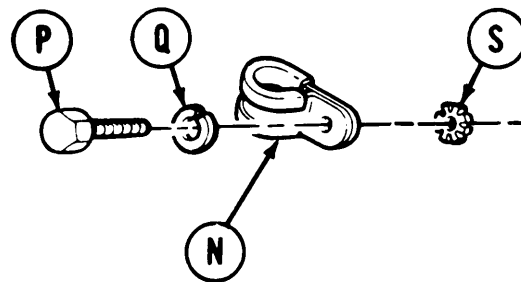
REAR ACCESSORY WIRING HARNESS REPLACEMENT (Sheet 7 of 7)



NOTE

The above illustration shows the location of harness assembly supports inside the vehicle.

9. Install harness supporting clamps (K) as noted. Using 7/16 inch socket and extension, tighten new lockwashers (L) and screws (M).
10. Install harness supporting clamp (N) and, using 7/16 inch socket and extension, install screw (P), new lockwasher (Q), mounting clamp (N), and star washer (S).
11. Install right fuel tank (page 7-341).
12. Install left fuel tank (page 7-356).



End of Task

TA251013

**BASKET/CONTROL PANEL POWER HARNESS REPLACEMENT (Sheet 1 of 4)**

PROCEDURE INDEX

PROCEDURE	PAGE
Removal	10-296.25
Installation	10-296.27

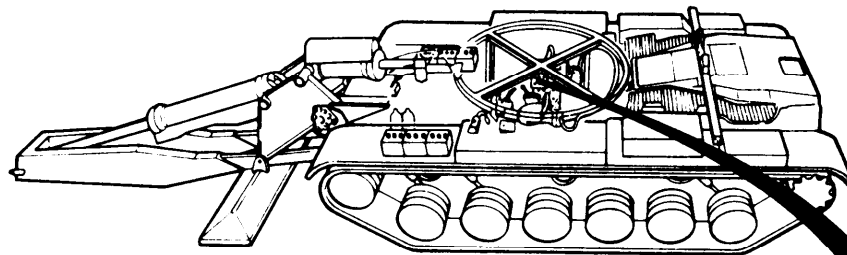
TOOLS: Spanner wrench  
 7/16 in. socket with 1/2 in. drive  
 Ratchet with 1/2 in. drive

SUPPLIES: Lockwashers (9 required)

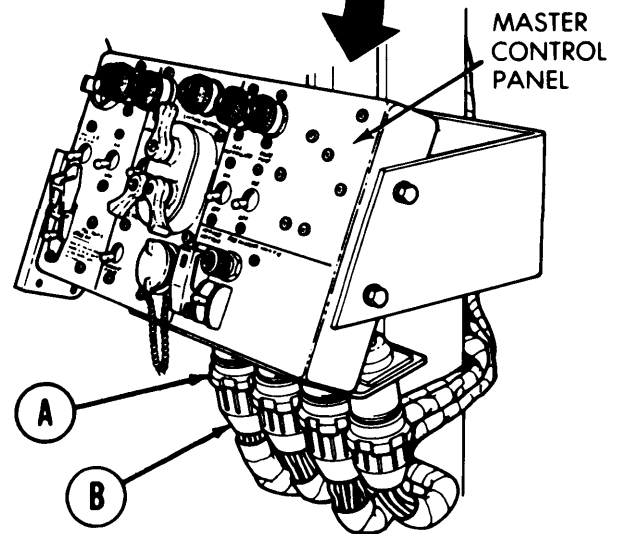
REFERENCES: TM 5-5420-226-10

PRELIMINARY PROCEDURES: Disconnect three ground straps at batteries (page 10-268)

Remove right bulkhead access cover (page 17-2)



LOCATED IN CREW  
 COMPARTMENT RIGHT  
 OF OPERATORS SEAT



REMOVAL:

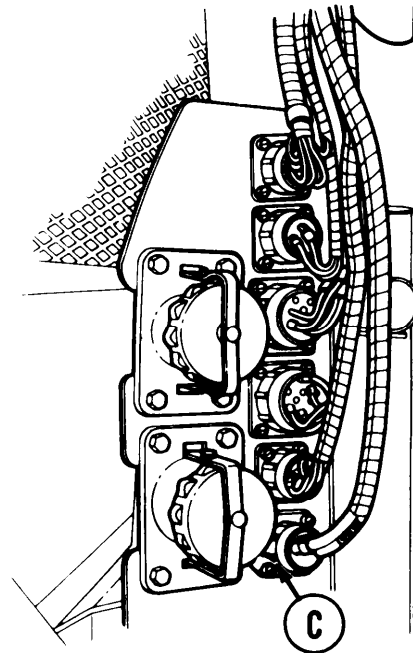
- Using spanner wrench, loosen spanner nut (A). Disconnect connector (B).

TA251014

Go on to Sheet 2

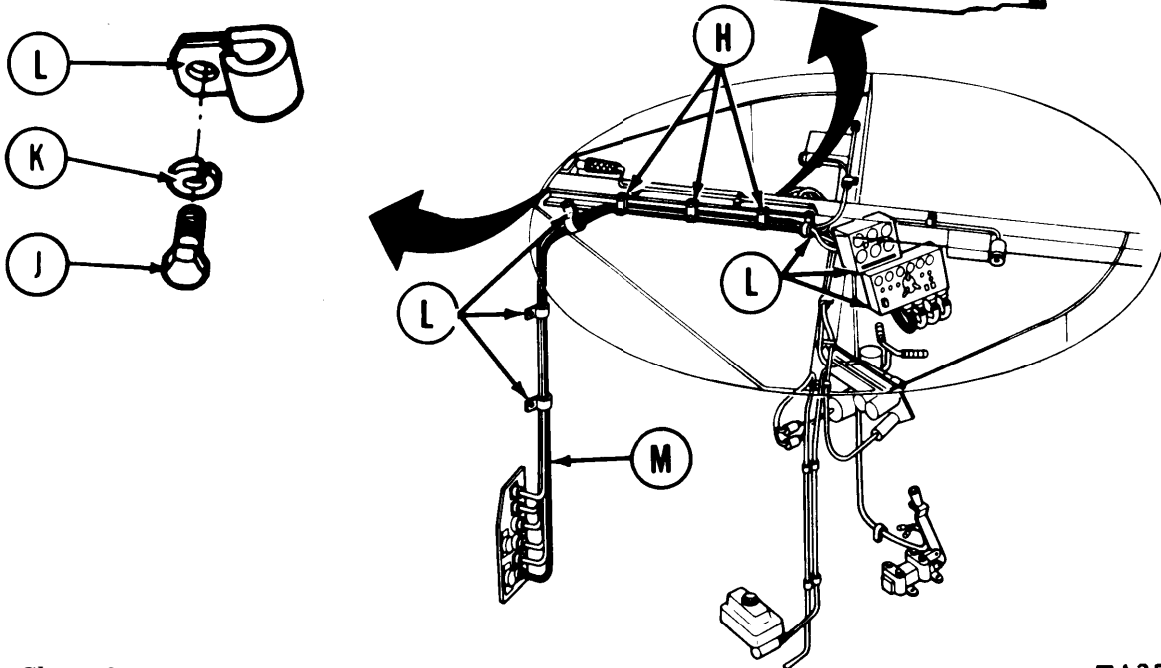
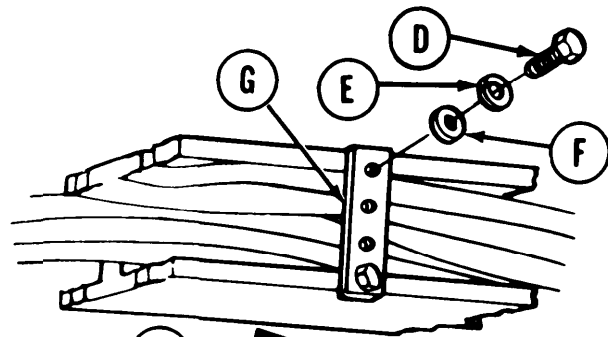
**BASKET/CONTROL PANEL POWER HARNESS REPLACEMENT (Sheet 2 of 4)**

2. Disconnect connector (C) at basket disconnect (page 10-296.69).
3. Using 7/16 inch socket, remove top screw (D), lockwasher (E), and flat washer (F) securing strap (G) at three locations. Leave bottom screw (H) installed.
4. Using 7/16 inch socket, remove screw (J) and lockwasher (K) securing clamp (L) at six locations.
5. Remove basket/control panel power wiring harness (M) from behind straps (G), out of clamps (L), and remove from vehicle.



**NOTE**

The illustration below shows the location of harness assembly supporting clamps and straps and the routing of the harness assembly.

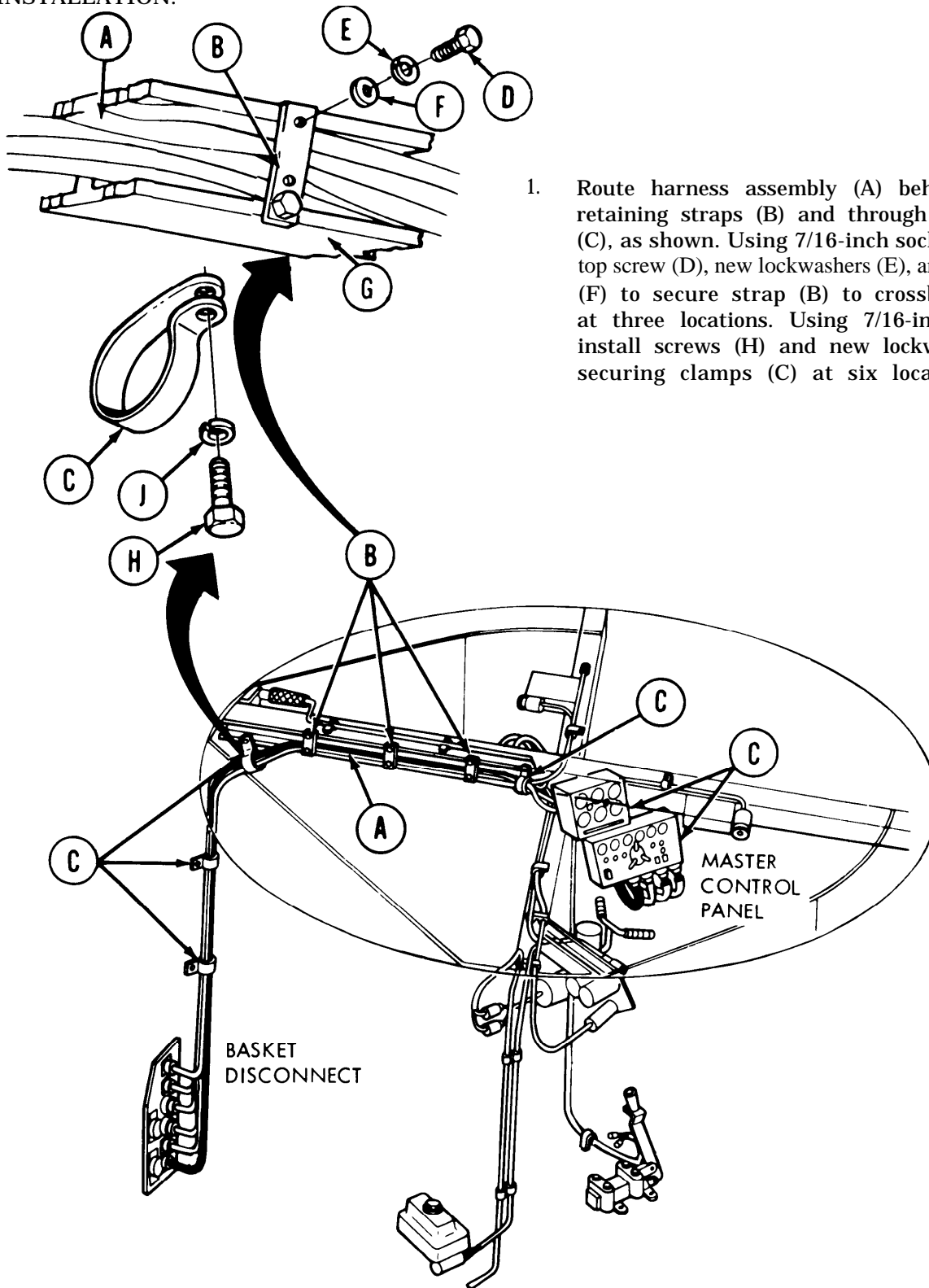


Go on to Sheet 3

TA251015

**BASKET/CONTROL PANEL POWER HARNESS REPLACEMENT (Sheet 3 of 4)**

**INSTALLATION:**

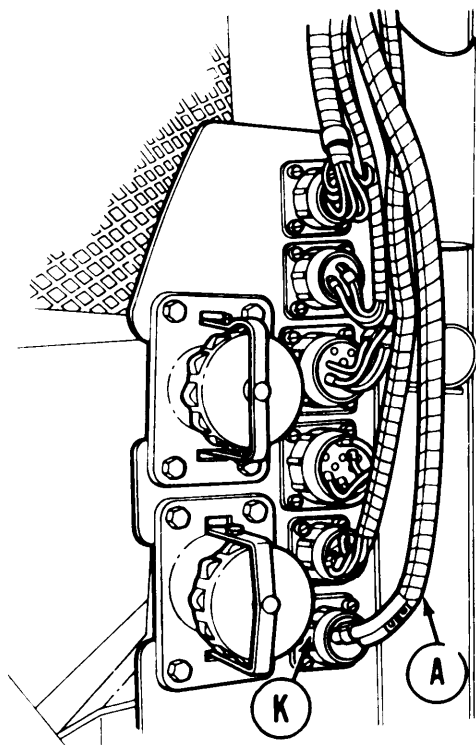


1. Route harness assembly (A) behind retaining straps (B) and through clamps (C), as shown. Using 7/16-inch socket, install top screw (D), new lockwashers (E), and flat washers (F) to secure strap (B) to crossbeam (G) at three locations. Using 7/16-inch socket install screws (H) and new lockwashers (J) securing clamps (C) at six locations.

Go on to Sheet 4

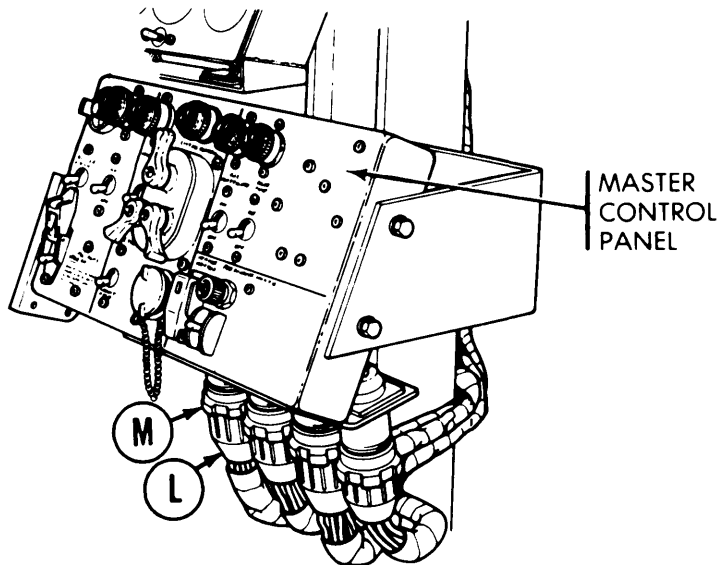
TA251016

**BASKET/CONTROL PANEL POWER HARNESS RPLACEMENT (Sheet 4 of 4)**



LOCATED IN CREW  
COMPARTMENT RIGHT  
OF OPERATORS SEAT

2. Install connector (K) of harness (A) at basket disconnect (page 10-296.69).
3. Connect connector (L) at master control panel. Using spanner wrench, tighten nut (M).
4. Connect three ground straps at batteries (page 10-268).
5. Install right bulkhead access cover (page 17-3).
6. Perform functional check (TM 5-5420-226-10).



End of Task

TA251017

**BASKET/CONTROL PANEL STARTING HARNESS REPLACEMENT (Sheet 1 of 5)**

PROCEDURE INDEX

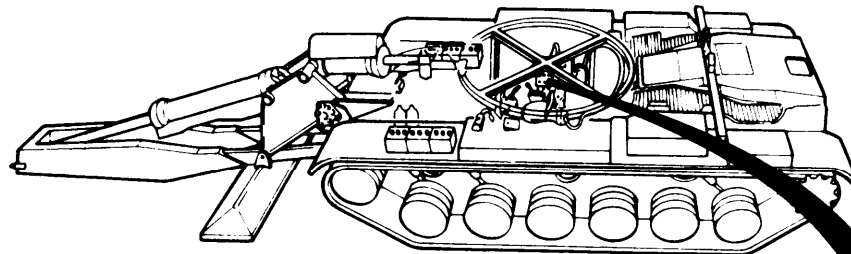
PROCEDURE	PAGE
Removal	10-296.29
Installation	10-296.32

TOOLS: Spanner wrench  
 7/16 in. socket with 1/2 in. drive  
 Ratchet with 1/2 in. drive

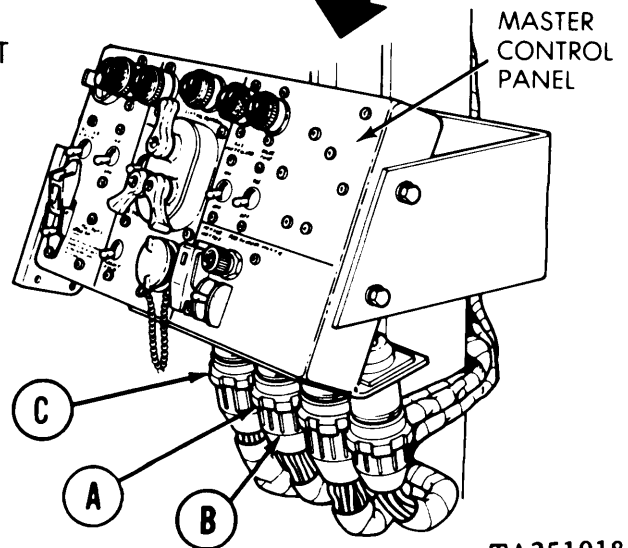
REFERENCES: TM 5-5420-226-10

PRELIMINARY PROCEDURE: Disconnect three ground straps at batteries (page 10-268)

SUPPLIES: Lockwashers (11 required)



LOCATED IN CREW  
 COMPARTMENT RIGHT  
 OF OPERATORS SEAT



REMOVAL:

- Using spanner wrench, loosen spanner nut (A). Disconnect connector (B).

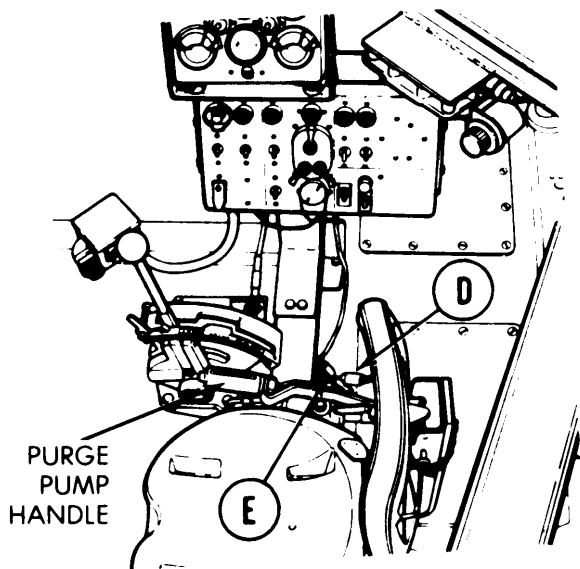
NOTE

It will be necessary to remove connector (C) to get at connector (B).

Go on to Sheet 2

TA251018

**BASKET/CONTROL PANEL STARTING HARNESS REPLACEMENT (Sheet 2 of 5)**

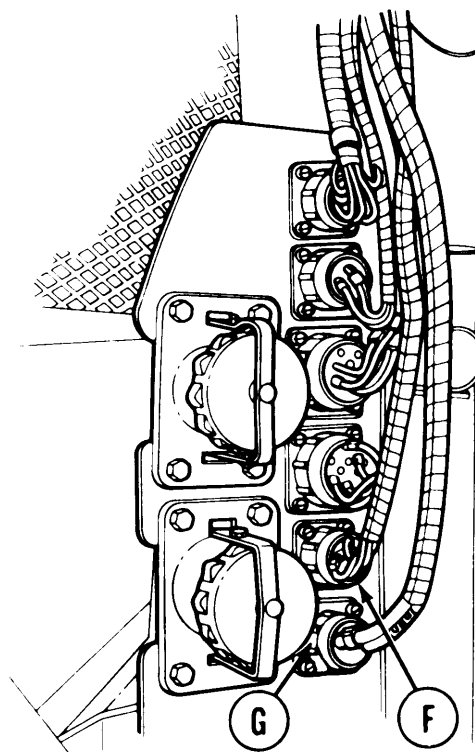


2. Disconnect two connector leads (D) and (E) from manifold preheat switch on purge pump handle.

3. Disconnect connector (F) at basket disconnect (page 10-296.69).

**NOTE**

It may be necessary to remove connector (G) to get at connector (F).

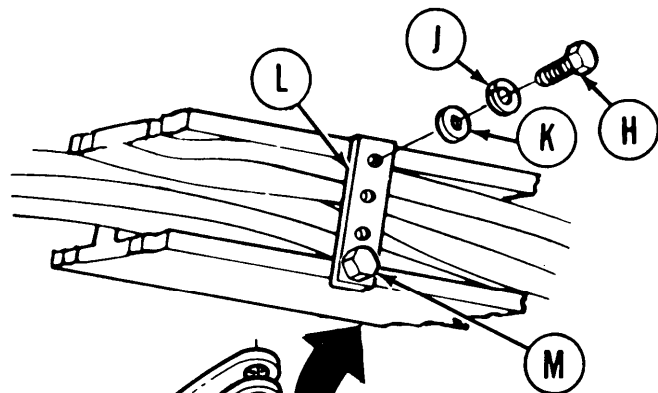


Go on to Sheet 3

TA251019



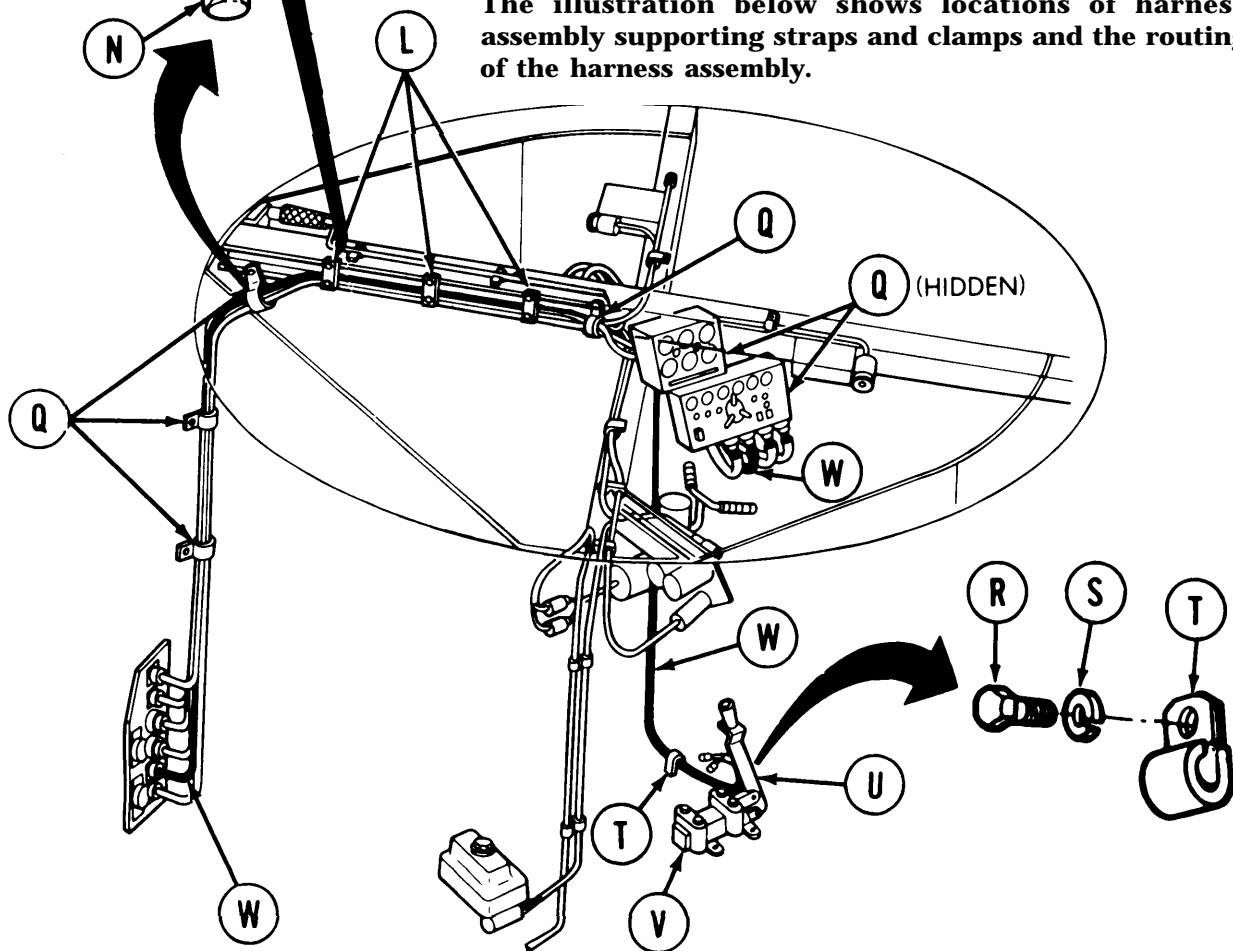
**BASKET/CONTROL PANEL STARTING HARNESS REPLACEMENT (Sheet 3 of 5)**



4. Using 7/16 inch socket, remove top screw (H), lockwasher (J), and washer (K) securing strap (L) at three locations. Leave bottom screw (M) installed.
5. Using 7/16 inch socket, remove screws (N) and lockwashers (P) securing clamps (Q) at six locations.
6. Using 7/16 inch socket, remove screw (R) and lockwasher (S) securing clamp (T) at vehicle floor and at handle (U) of purge pump (V).
7. Slip wiring harness (W) from behind straps (L) and out of clamps (Q) and (T) and remove from vehicle.

**NOTE**

The illustration below shows locations of harness assembly supporting straps and clamps and the routing of the harness assembly.



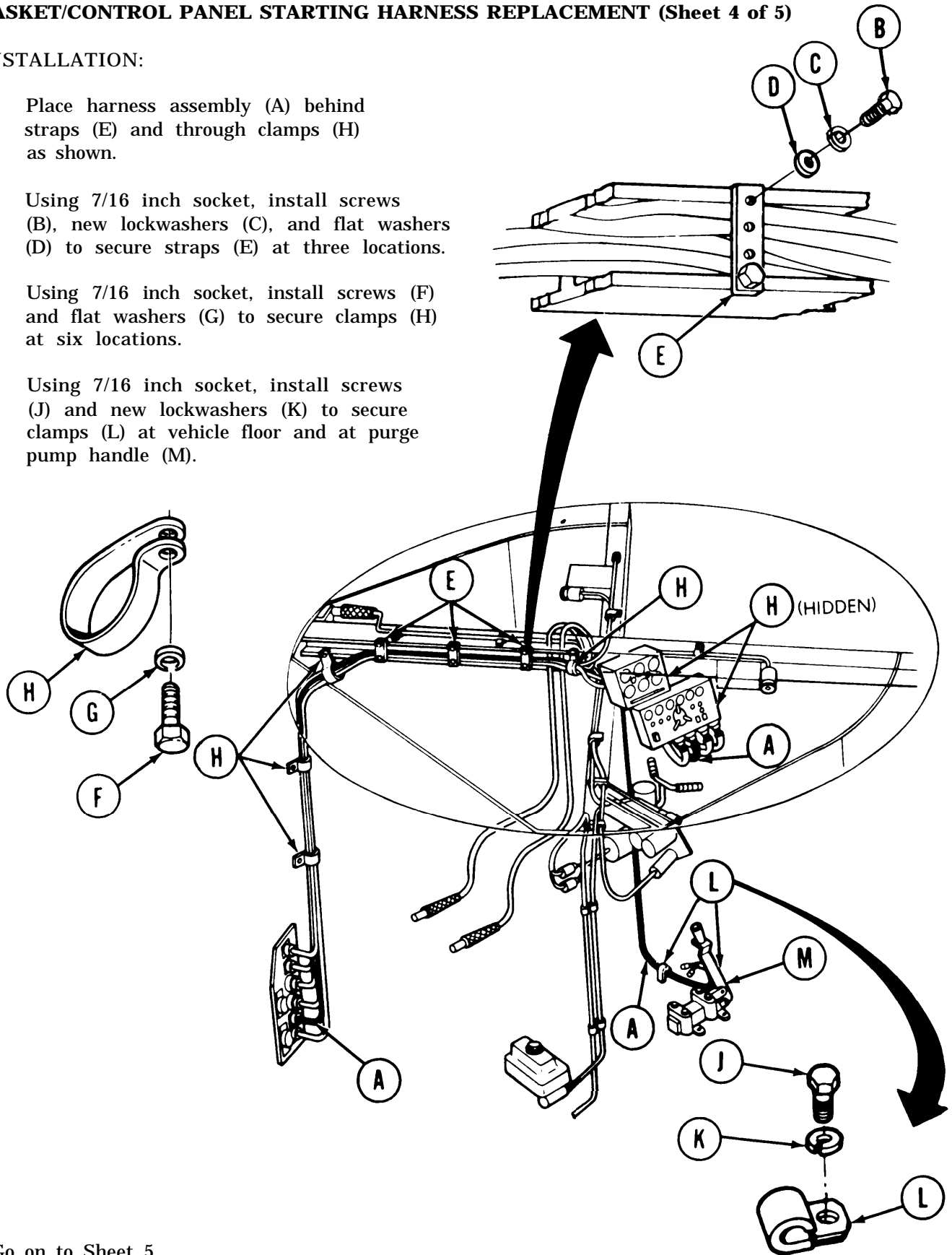
Go on to Sheet 4

TA251020

**BASKET/CONTROL PANEL STARTING HARNESS REPLACEMENT (Sheet 4 of 5)**

**INSTALLATION:**

1. Place harness assembly (A) behind straps (E) and through clamps (H) as shown.
2. Using 7/16 inch socket, install screws (B), new lockwashers (C), and flat washers (D) to secure straps (E) at three locations.
3. Using 7/16 inch socket, install screws (F) and flat washers (G) to secure clamps (H) at six locations.
4. Using 7/16 inch socket, install screws (J) and new lockwashers (K) to secure clamps (L) at vehicle floor and at purge pump handle (M).

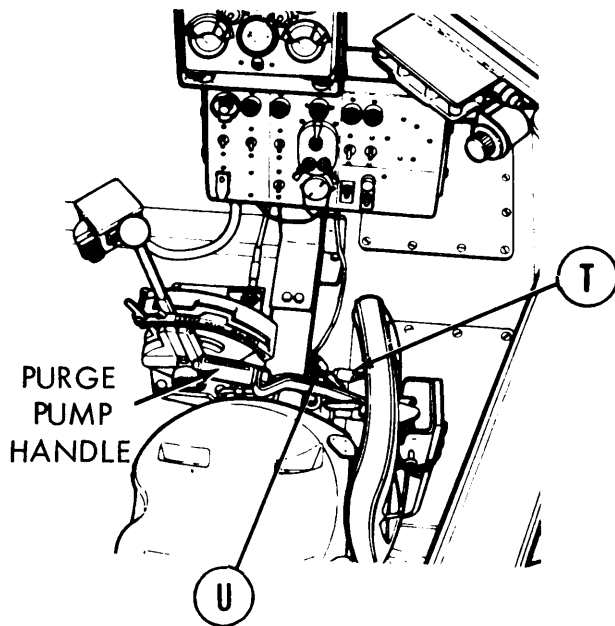
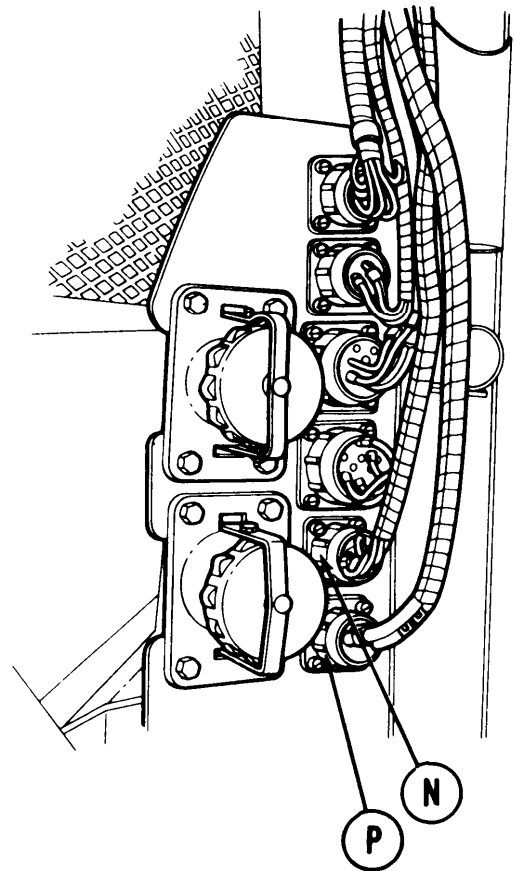
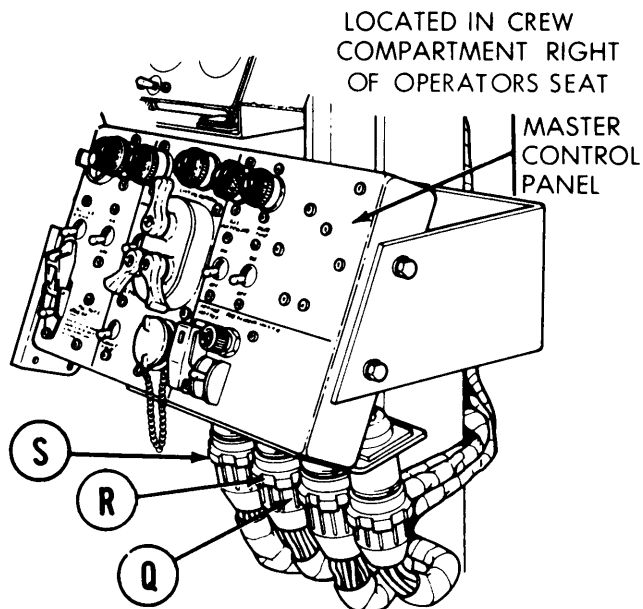


Go on to Sheet 5

TA251021

**BASKET/CONTROL PANEL STARTING HARNESS REPLACEMENT (Sheet 5 of 5)**

5. Install connector (N) at basket disconnect (page 10-296.69). If connector (P) was removed, connect it also.



6. Install connector (Q) at master control panel. Using spanner wrench, tighten spanner nut (R). If connector (S) was removed, connect it.
7. Connect connector leads (T) and (U) to manifold preheat switch on purge pump handle.
8. Connect three ground straps at batteries (page 10-268).
9. Perform functional check (TM 5-5420-226-10).

End of Task

TA251022

**BASKET/CONTROL PANEL ACCESSORIES HARNESS REPLACEMENT (Sheet 1 of 5)**

PROCEDURE INDEX

PROCEDURE	PAGE
Remova	10-296.34
Installation	10-296.37

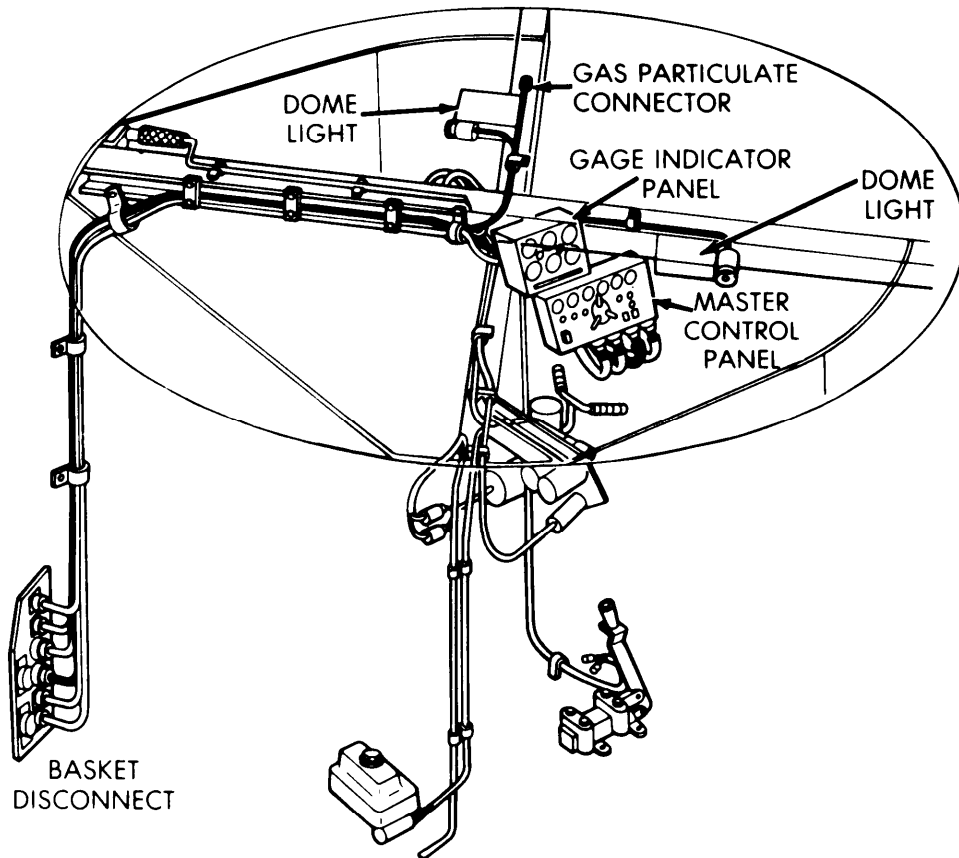
TOOLS: Spanner wrench  
 7/16 in. socket with 1/2 in. drive  
 5 in. extension with 1/2 in. drive  
 Ratchet with 1/2 in. drive

PRELIMINARY PROCEDURE: Disconnect three ground straps at batteries (page 10-268)-

REMOVAL:

**NOTE**

**This illustration shows the general routing of the basket/control panel accessories harness to aid you in replacement.**

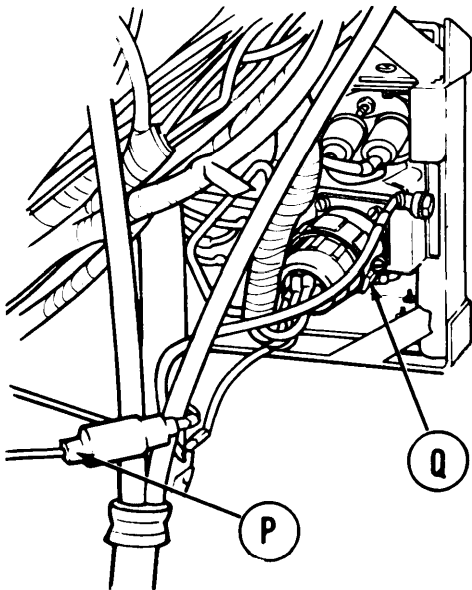
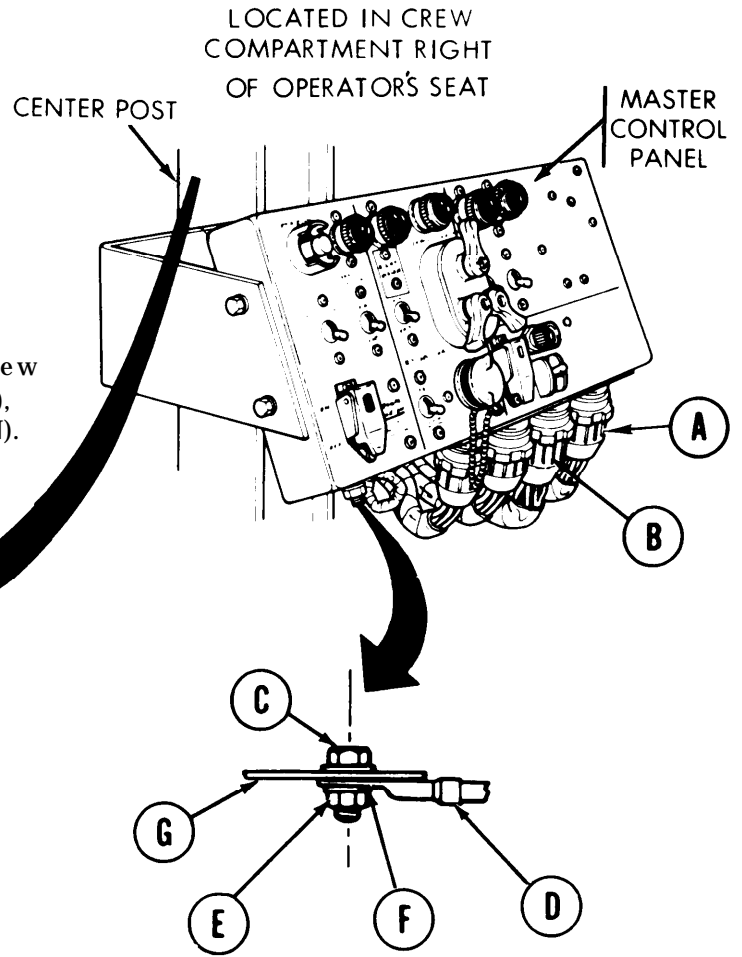


Go on to Sheet 2

TA251023

**BASKET/CONTROL PANEL ACCESSORIES HARNESS REPLACEMENT (Sheet 2 of 5)**

1. Using spanner wrench, remove connector (A) to get to connector (B) on master control panel.
2. Using spanner wrench, remove connector (B).
3. Using socket, remove screw (C), ground strap (D), nut (E), and lockwasher (F) from bottom of master control panel (G).
4. Using socket and extension, remove screw (H), clamp (J), ground straps (K) and (L), and lockwasher (M) from center post (N).



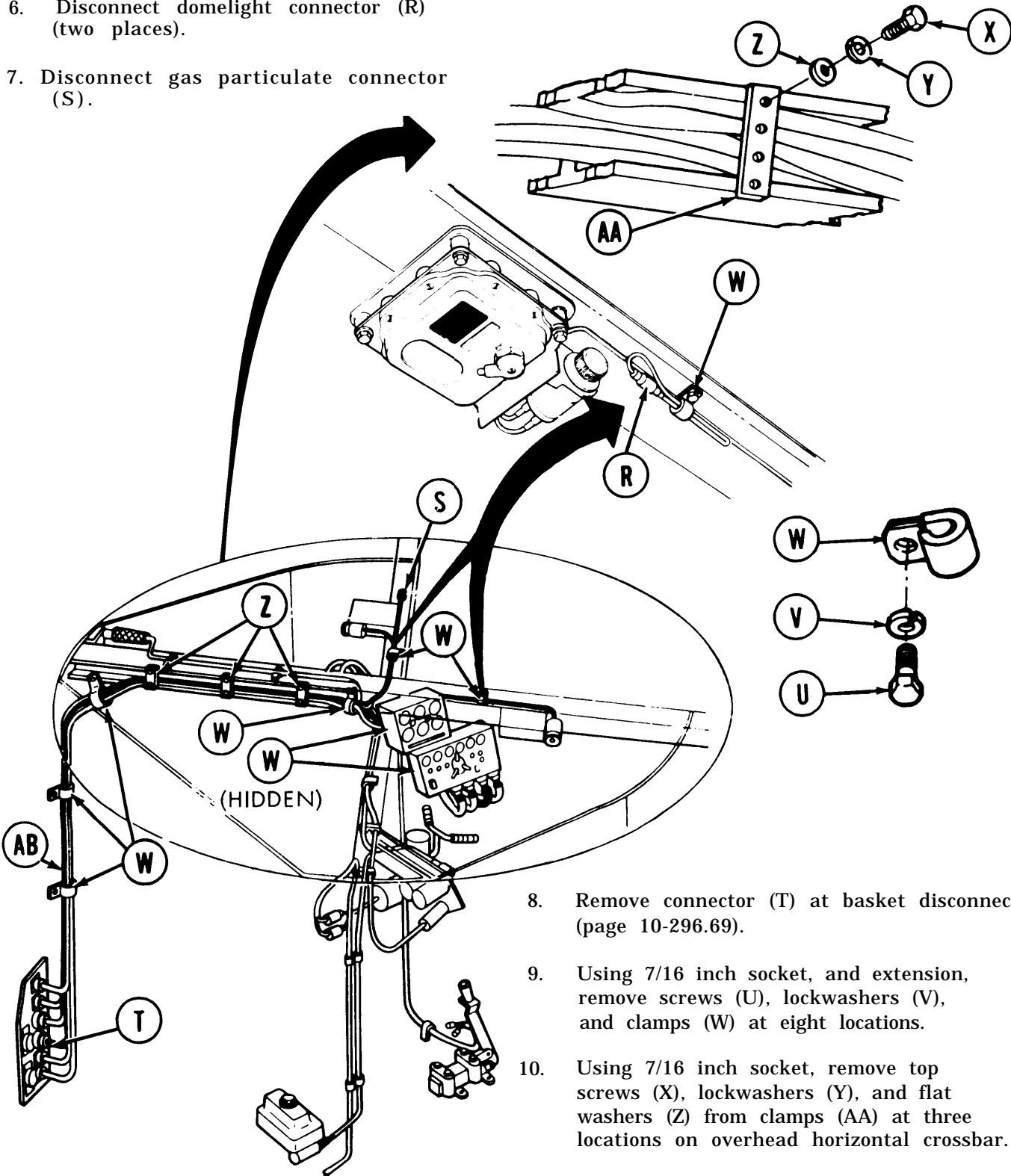
5. Disconnect connector (P) (CKT 27) from lead to connector at rear of gage indicator panel (Q) (located just above master control panel).

Go on to Sheet 3

TA251024

BASKET/CONTROL PANEL ACCESSORIES HARNESS REPLACEMENT (Sheet 3 of 5)

6. Disconnect domelight connector (R) (two places).
7. Disconnect gas particulate connector (S).



8. Remove connector (T) at basket disconnect (page 10-296.69).
9. Using 7/16 inch socket, and extension, remove screws (U), lockwashers (V), and clamps (W) at eight locations.
10. Using 7/16 inch socket, remove top screws (X), lockwashers (Y), and flat washers (Z) from clamps (AA) at three locations on overhead horizontal crossbar.
11. Remove harness assembly (AB) from vehicle.

Go on to Sheet 4

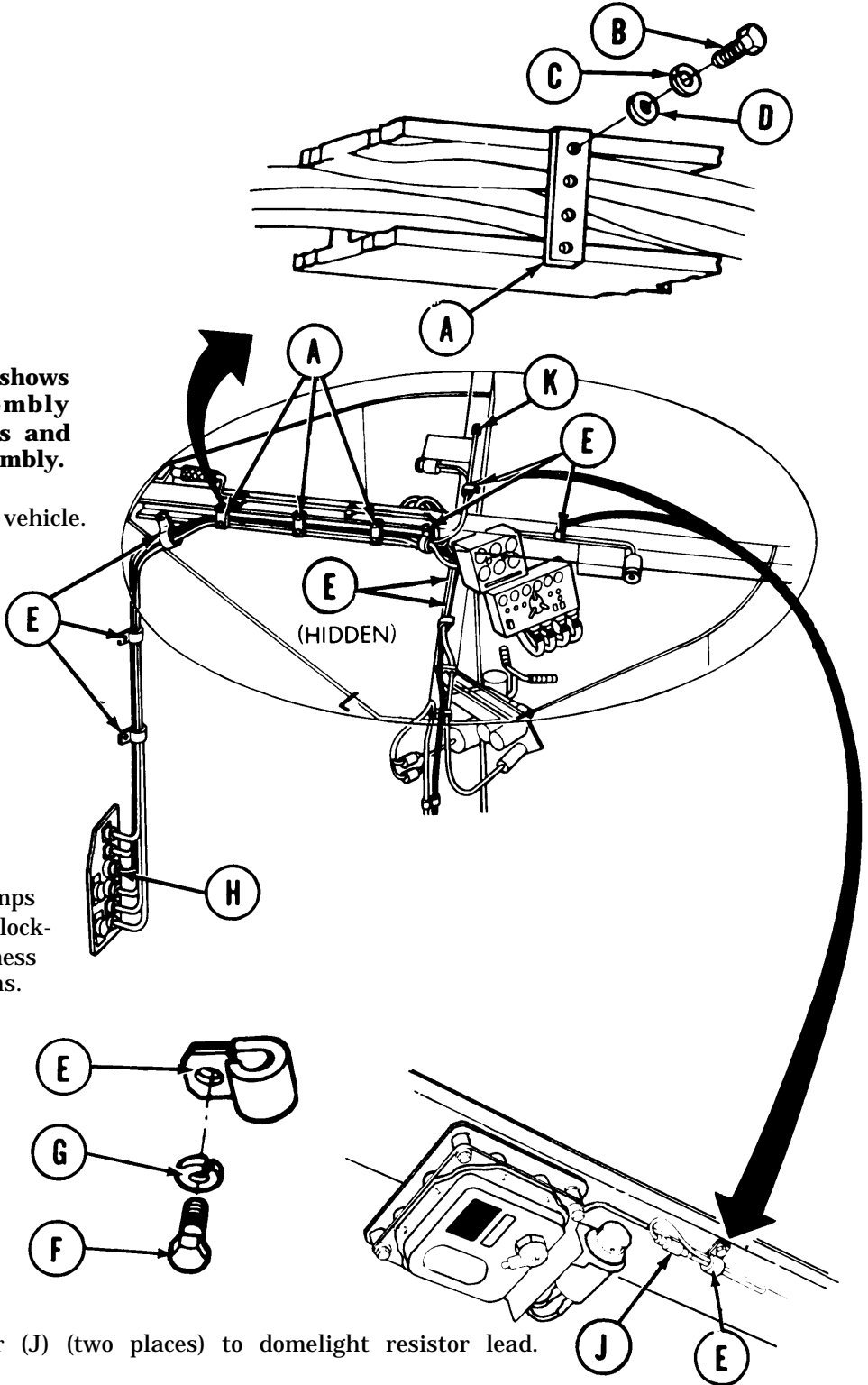
**BASKET/CONTROL PANEL ACCESSORIES HARNESS REPLACEMENT (Sheet 4 of 5)**

**INSTALLATION:**

**NOTE**

The illustration below shows locations of harness assembly Supporting straps and clamps and the routing of the harness assembly.

1. Position wiring harness in vehicle.
2. Position wiring harness in straps (A) and, using 7/16 inch socket, install screws (B), new lock-washers (C), and flat washers (D) to secure harness assembly to overhead crossbeam at three locations.
3. Using 7/16 inch socket, and extension, install clamps (E), screws (F), and new lock-washers (G) securing harness assembly at eight locations.
4. Install connector (H) at basket disconnect (page 10-296.71).
5. Connect domelight connector (J) (two places) to domelight resistor lead.
6. Connect gas particulate connector (K) to gas particulate lead.

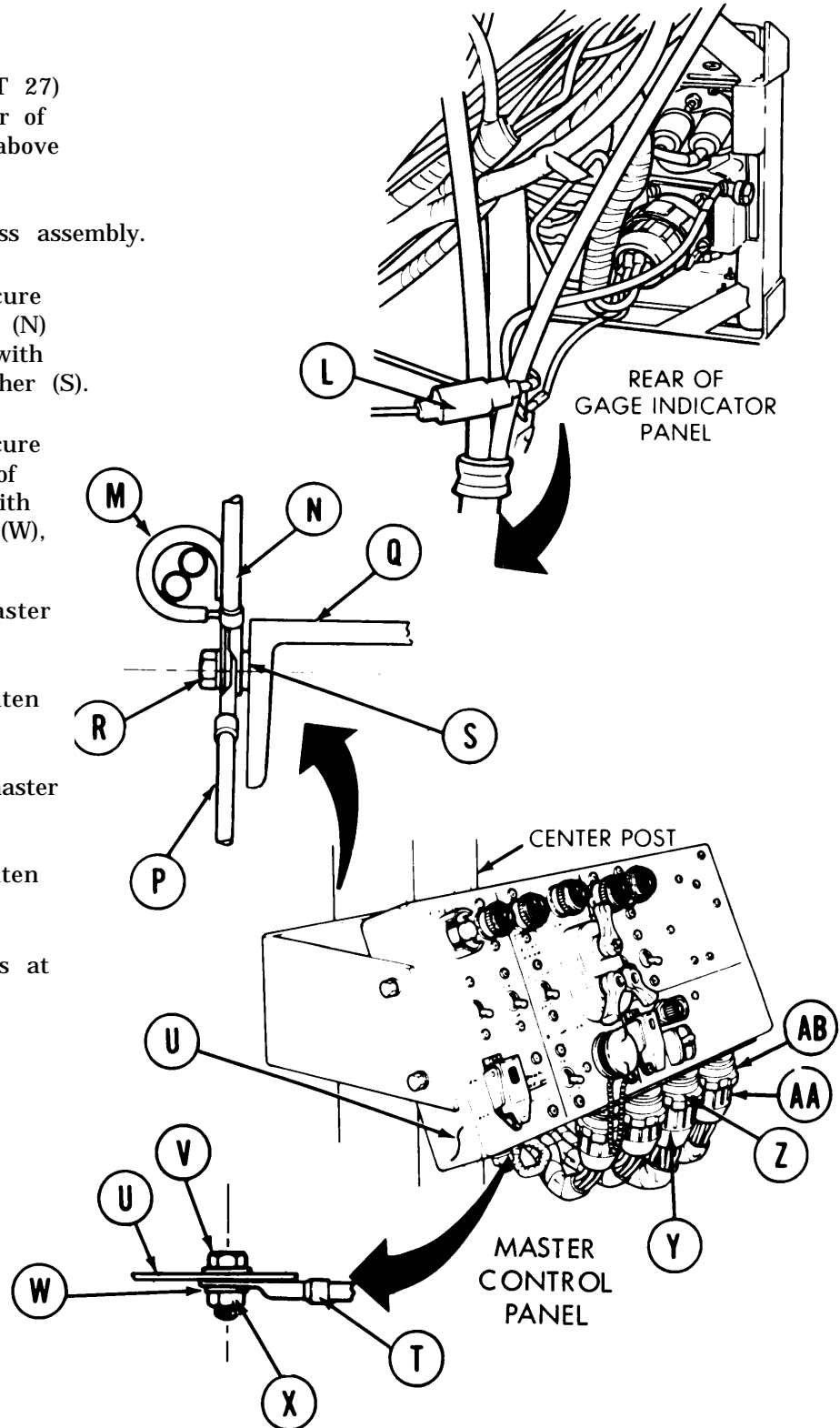


Go on to Sheet 5

TA251026

BASKET/CONTROL PANEL ACCESSORIES HARNESS REPLACEMENT (Sheet 5 of 5)

7. Connect connector (L) (CKT 27) to lead to connector at rear of gage indicator panel (just above master control panel).
8. Install clamp (M) on harness assembly.
9. Using 7/16 inch socket, secure clamp (M) and ground leads (N) and (P) to center post (Q) with screw (R) and new lockwasher (S).
10. Using 7/16 inch socket, secure ground lead (T) to bottom of master control panel (U) with screw (V), new lockwasher (W), and nut (X).
11. Install connector (Y) on master control panel.
12. Using spanner wrench, tighten nut (Z).
13. Install connector (AA) on master control panel.
14. Using spanner wrench, tighten nut (AB).
15. Connect three ground straps at batteries (page 10-268).



End of Task

TA251027



**BASKET/LIGHT SWITCH HARNESS REPLACEMENT (Sheet 1 of 9)**

PROCEDURE INDEX

PROCEDURE	PAGE
Removal	10-296.40
Installation	10-296.44

TOOLS: Spanner wrench  
 7/16 in. socket with 1/2 in drive  
 Ratchet with 1/2 in. drive  
 7/16 inch open end wrench

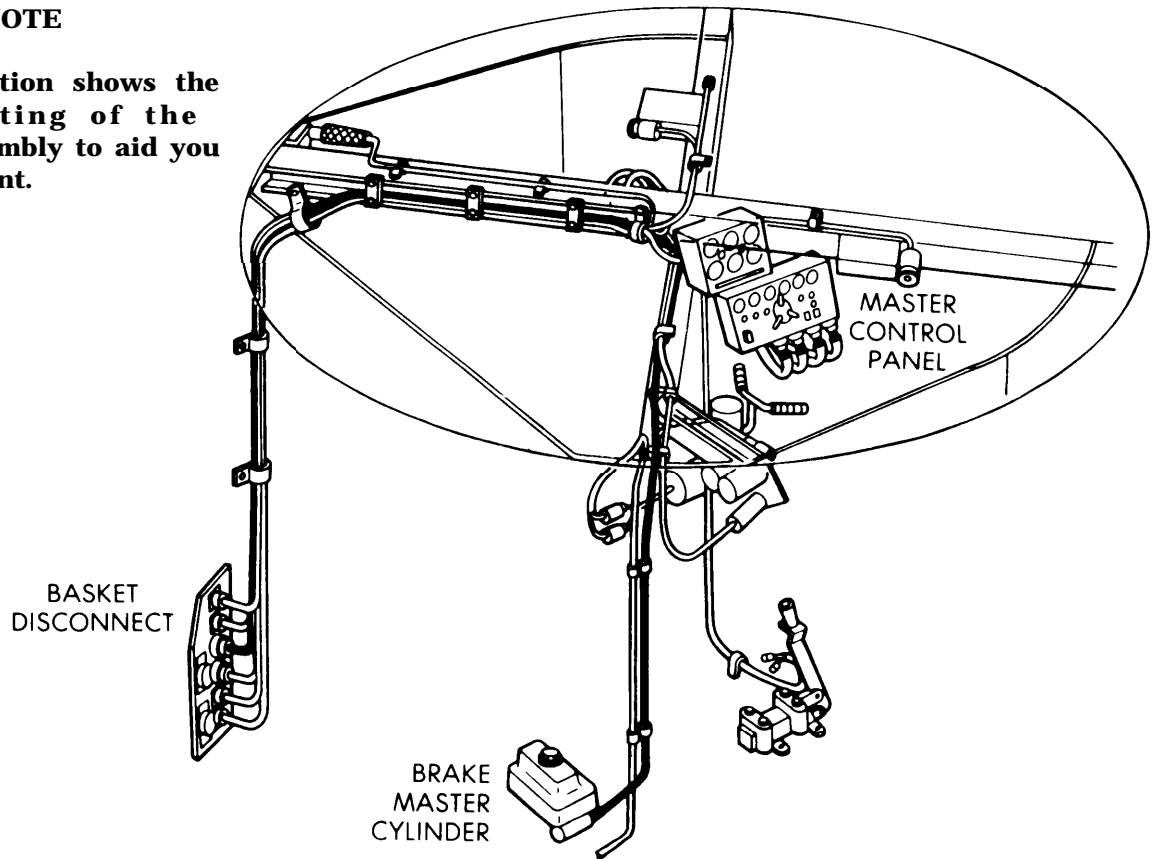
REFERENCES: TM 5-5420-226-10

SUPPLIES: Lockwashers (17 required)

PRELIMINARY PROCEDURES: Disconnect three ground straps at batteries (page 10-268)

**NOTE**

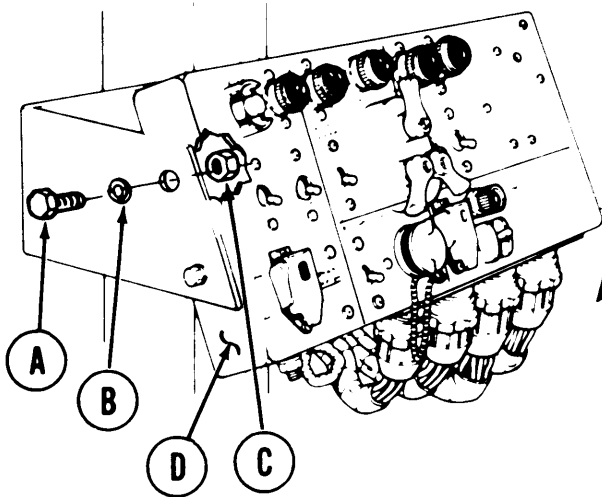
**This illustration shows the general routing of the harness assembly to aid you in replacement.**



Go on to Sheet 2

TA251028

**BASKET/LIGHT SWITCH HARNESS REPLACEMENT (Sheet 2 of 9)**

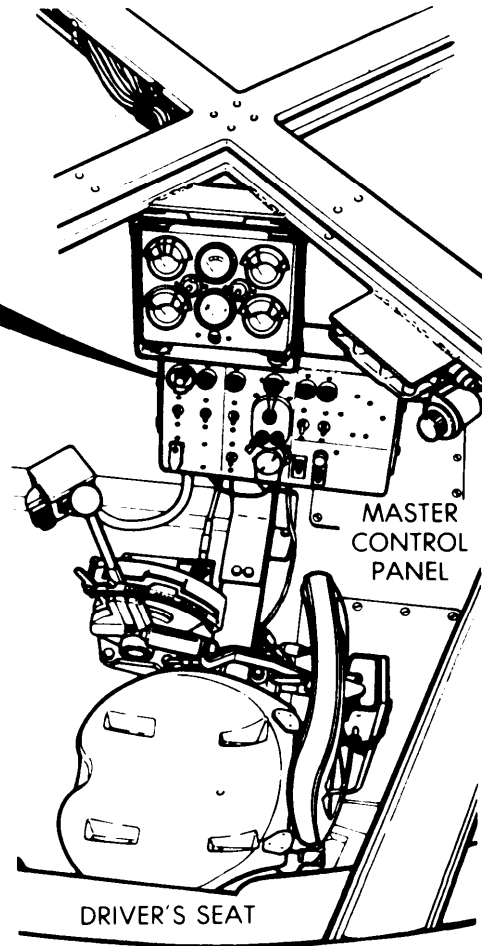


REMOVAL:

**CAUTION**

**Take care to support master control panel during removal of mounting screws in step 1 below.**

1. Using 7/16 inch socket and 7/16 inch open end wrench, remove four screws (A), lockwashers (B), and nuts (C) securing master control panel (D).
2. Tilt master control panel (D) forward to expose cabling at rear.

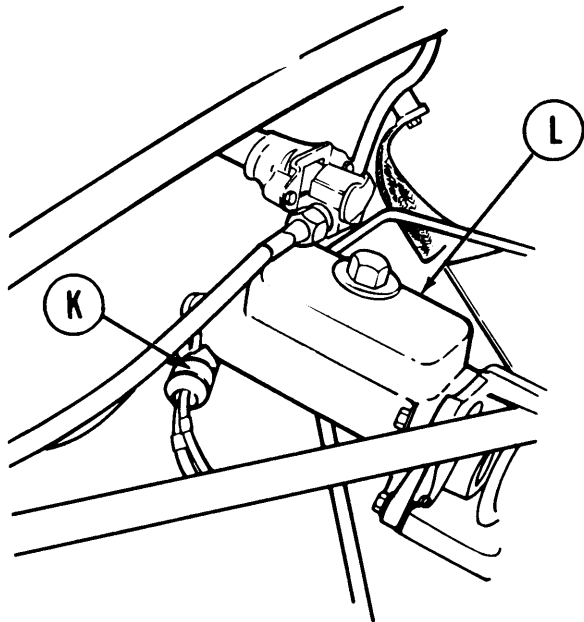
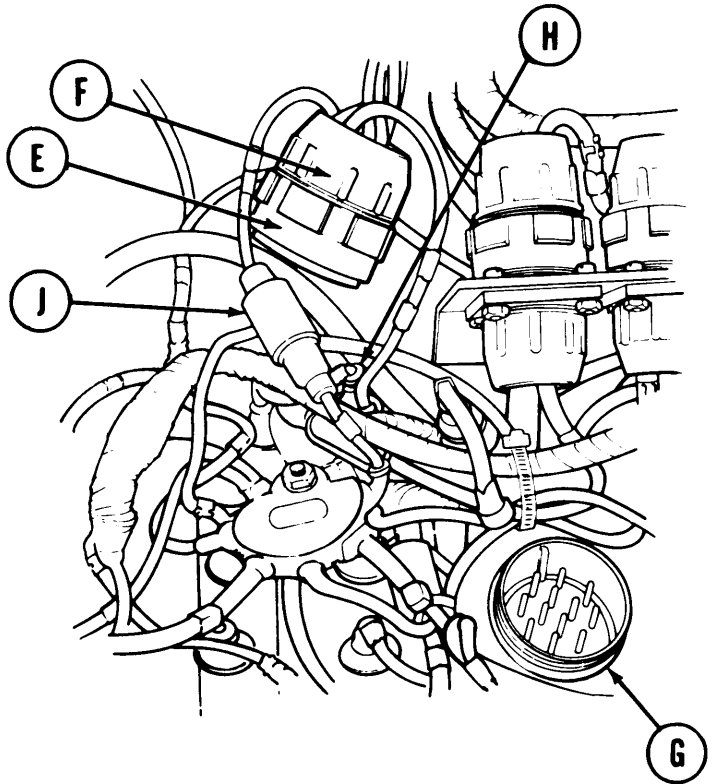


Go on to Sheet 3

TA251029

**BASKET/LIGHT SWITCH HARNESS REPLACEMENT (Sheet 3 of 9)**

3. Using spanner wrench, loosen spanner nut (E) and disconnect connector (F) from rear connector (G) of master control panel.
4. Disconnect connector (H) (CKT 19) from blackout selector switch connector.
5. Disconnect connector (J) (CKT 15) from light switch feed lead.

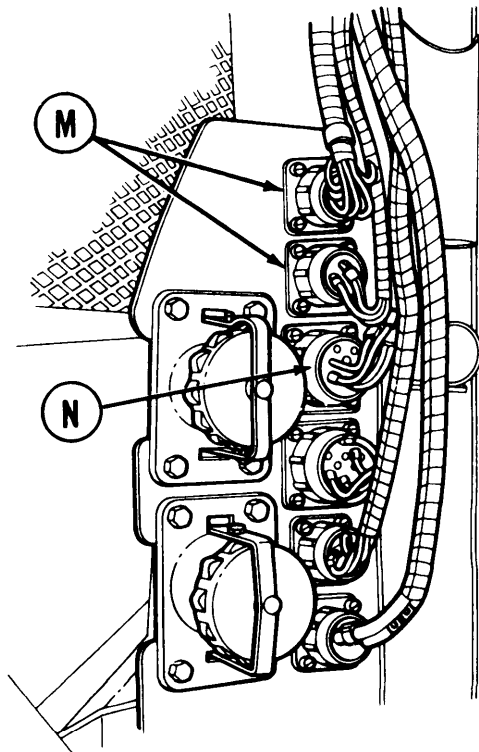


6. Disconnect connector (K) (CKT 75, 75) from brake master cylinder (L).

**NOTE**

**It will be necessary to remove connectors (M) to get at connector (N).**

7. Remove connector (N) at basket disconnect (page 10-296.69).



Go on to Sheet 4

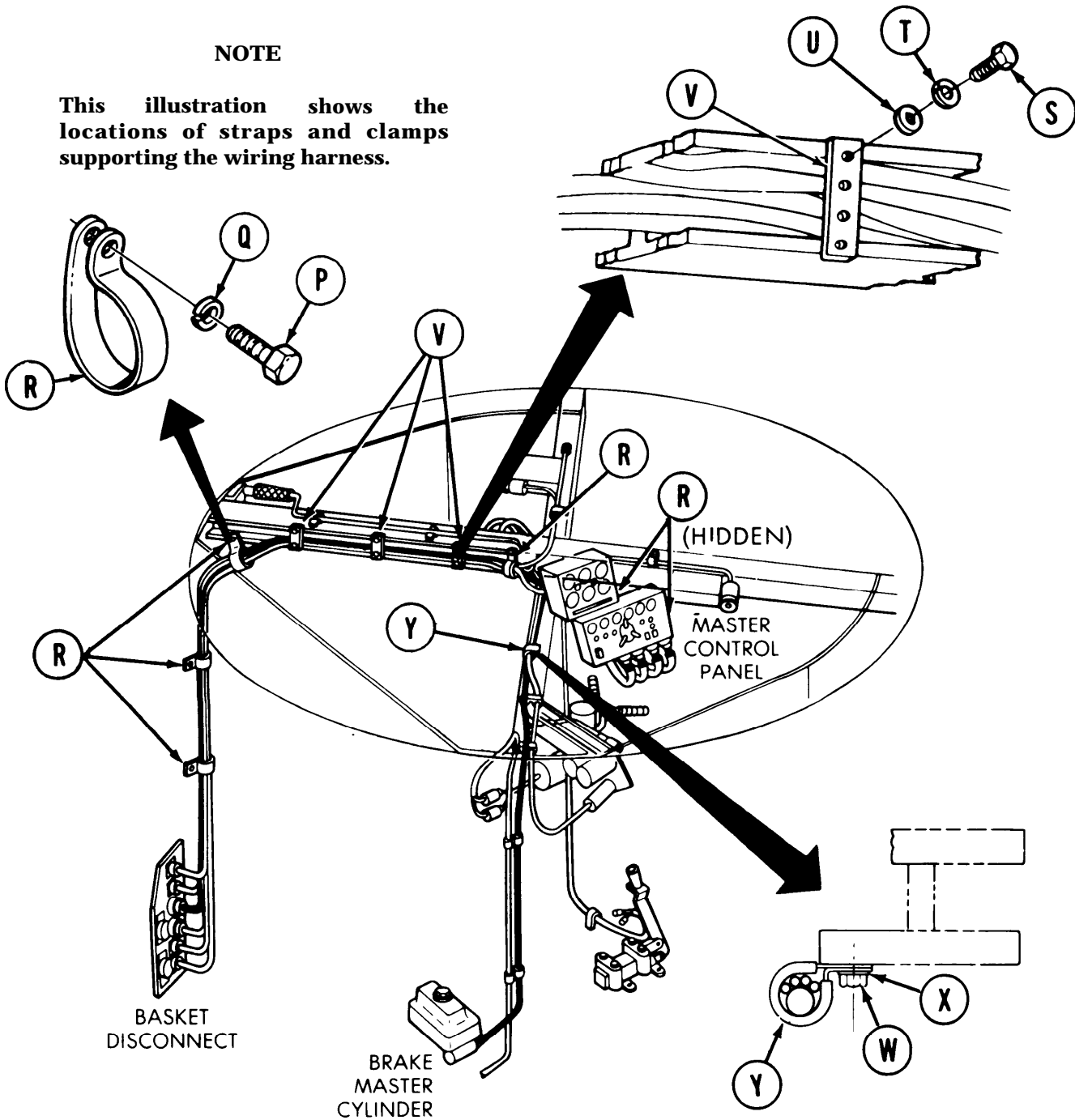
TA251030

**BASKET/LIGHT SWITCH HARNESS REPLACEMENT (Sheet 4 of 9)**

8. Using 7/16 inch socket, remove screws (P) and lockwashers (Q) securing clamps (R) at six locations.
9. Using 7/16 inch socket, remove top screws (S), lockwashers (T), and washers (U) securing clamps (V) at three locations. Leave bottom screws installed.
10. Using 7/16 inch socket, remove screw (W) and lockwashers (X) securing clamp (Y).

**NOTE**

This illustration shows the locations of straps and clamps supporting the wiring harness.



Go on to Sheet 5

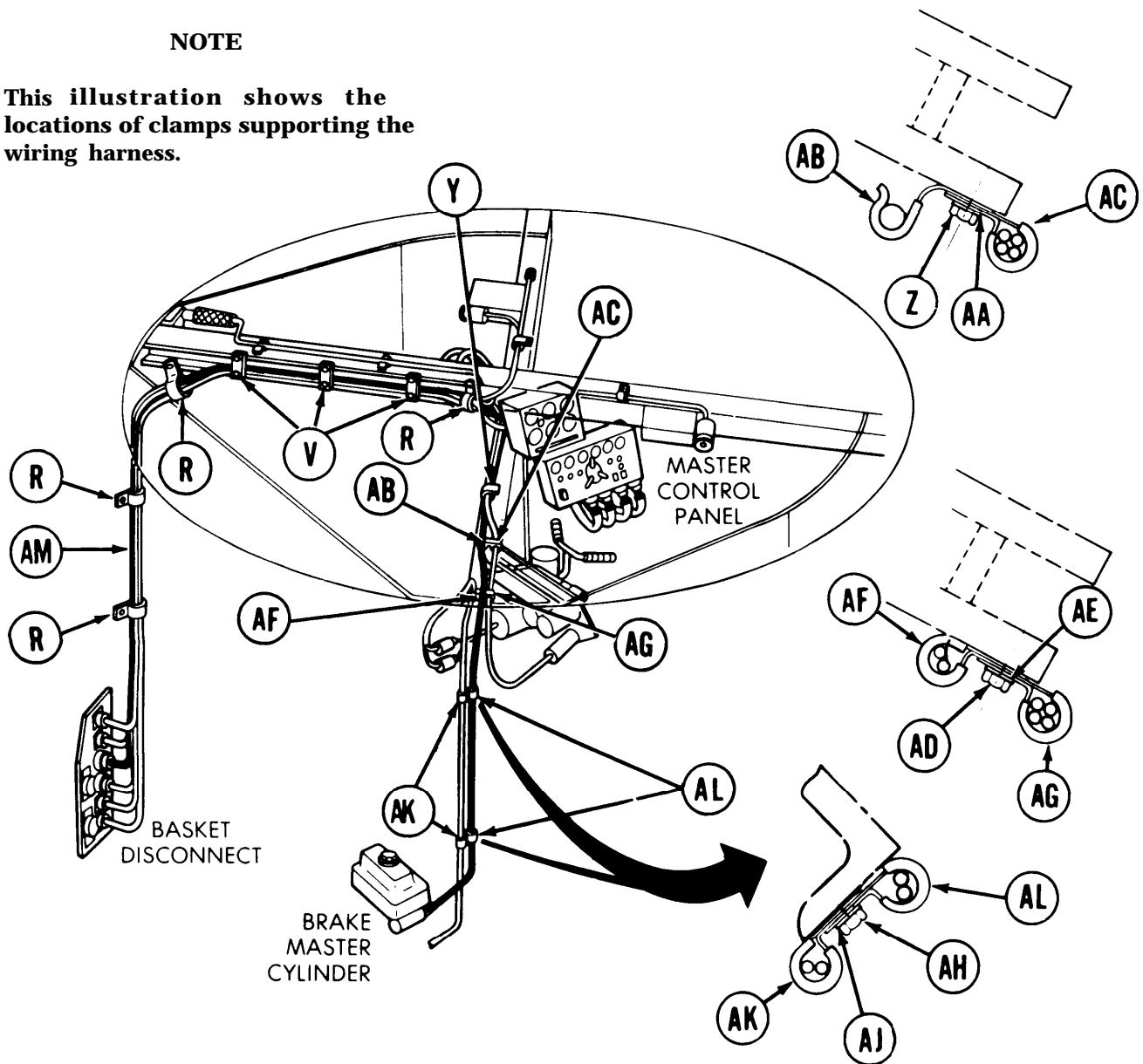
TA251031

**BASKET/LIGHT SWITCH HARNESS REPLACEMENT (Sheet 5 of 9)**

11. Using 7/16 inch socket, remove screw (Z) and lockwasher (AA) securing clamps (AB) and (AC) to overhead crossbeam.
12. Using 7/16 inch socket, remove screw (AD) and lockwasher (AE) securing clamps (AF) and (AG) to overhead crossbeam.
13. Using 7/16 inch socket, remove screw (AH) and lockwasher (AJ) securing clamps (AK) and (AL) at two locations.
14. Remove wiring harness (AM) from behind straps (V) and out of clamps (R), (Y), (AB), (AC), (AF), (AG), (AK), and (AL). Remove harness (AM) from vehicle.

**NOTE**

**This illustration shows the locations of clamps supporting the wiring harness.**



Go on to Sheet 6

TA251032

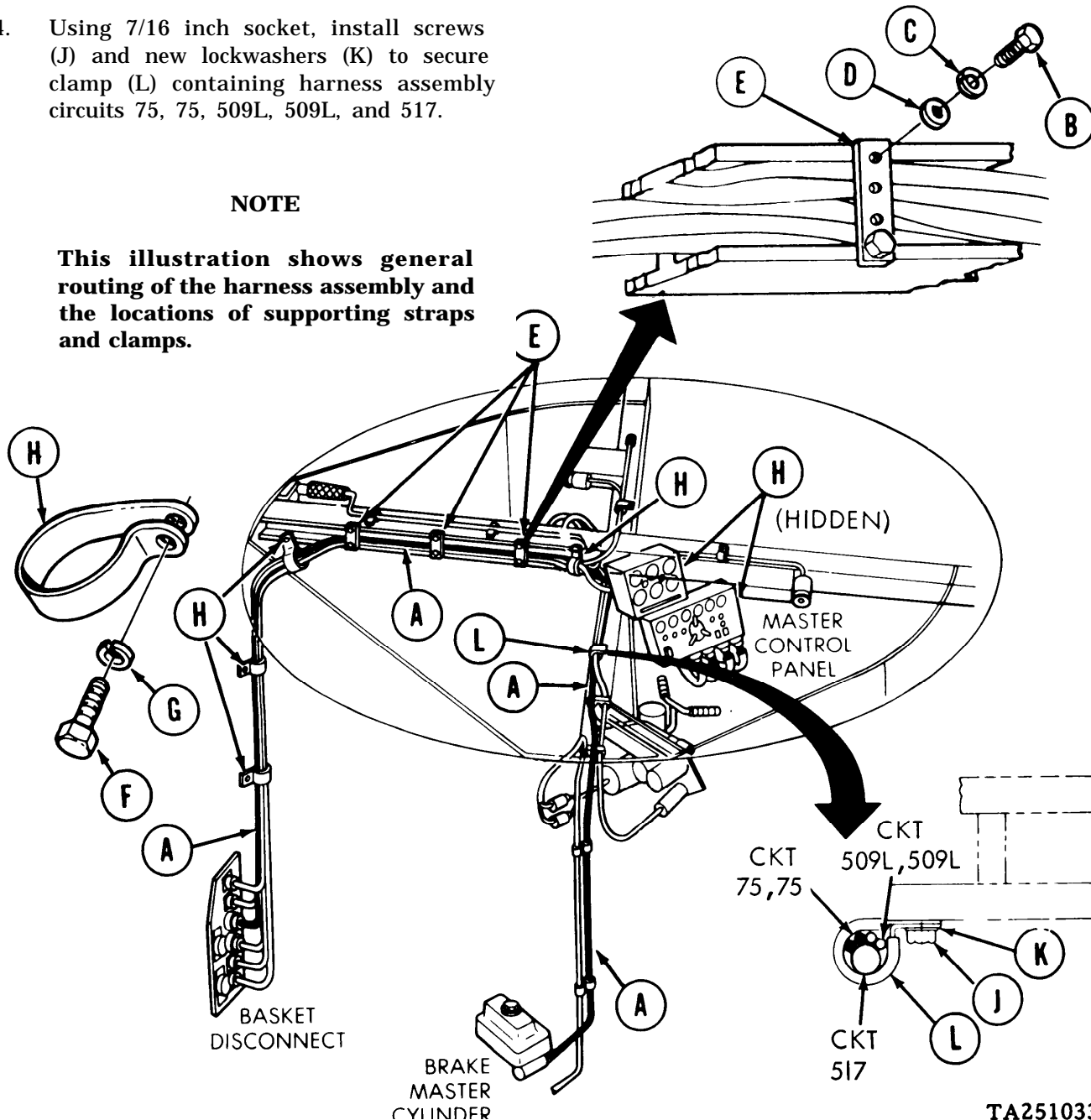
**BASKET/LIGHT SWITCH HARNESS REPLACEMENT (Sheet 6 of 9)**

**INSTALLATION:**

1. Route wiring harness (A) through clamps and behind straps, as shown.
2. Using 7/16 inch socket, install screws (B), new lockwashers (C), and flat washers (D) to secure straps (E) at three locations.
3. Using 7/16 inch socket, install screws (F) and new lockwashers (G) to secure clamps (H) at six locations.
4. Using 7/16 inch socket, install screws (J) and new lockwashers (K) to secure clamp (L) containing harness assembly circuits 75, 75, 509L, 509L, and 517.

**NOTE**

**This illustration shows general routing of the harness assembly and the locations of supporting straps and clamps.**



Go on to Sheet 7

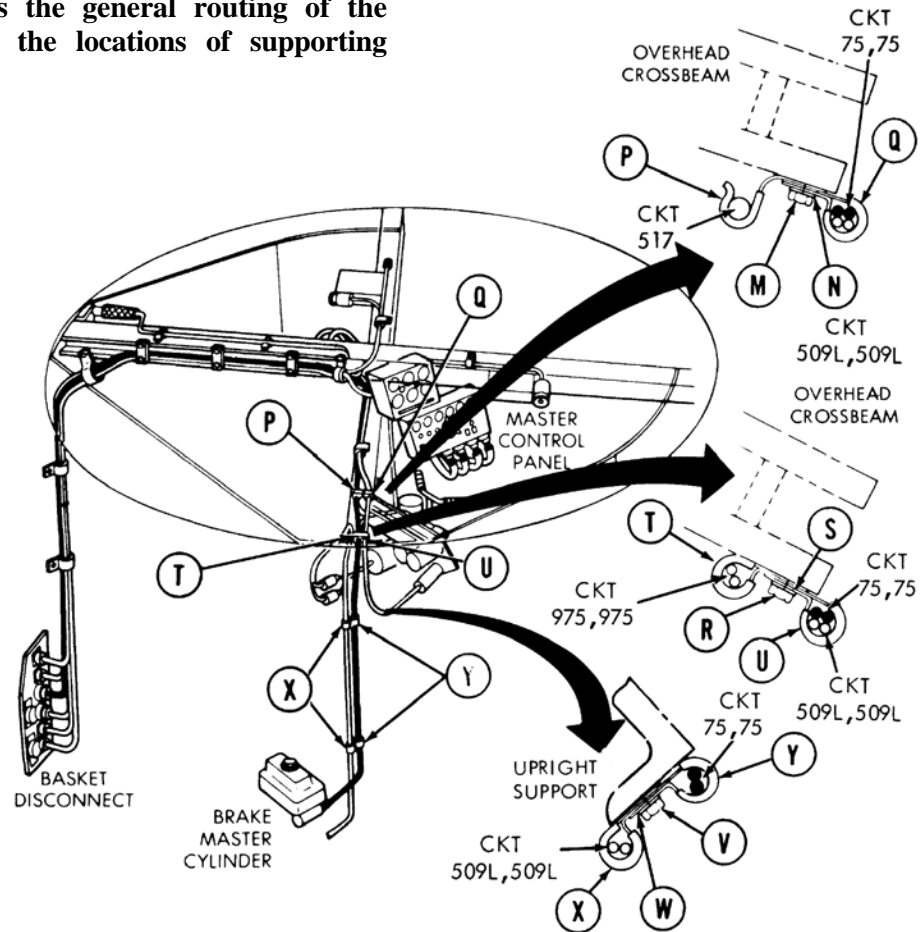
TA251033

**BASKET/LIGHT SWITCH HARNESS REPLACEMENT (Sheet 7 of 9)**

5. Using 7/16 inch socket, install screw (M) and new lockwasher (N) to secure clamps (P), containing circuit 517, and (Q), containing circuits 75, 75 and 509L, 509L, to overhead crossbeam.
6. Using 7/16 inch socket, install screw ® and new lockwasher (S) to secure clamps (T), containing circuit 975, 975 and (U), containing circuits 75, 75 and 509L, 509L, to overhead crossbeam.
7. Using 7/16 inch socket, install screws (V) and new lockwashers (W) to secure clamps (X), containing circuit 509L, 509L and (Y), containing circuit 75, 75, at two locations on upright support.

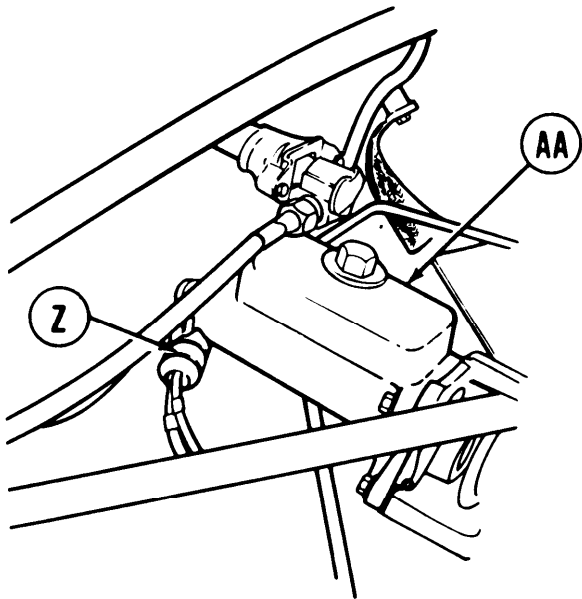
**NOTE**

**This illustration shows the general routing of the harness assembly and the locations of supporting clamps and s traps.**

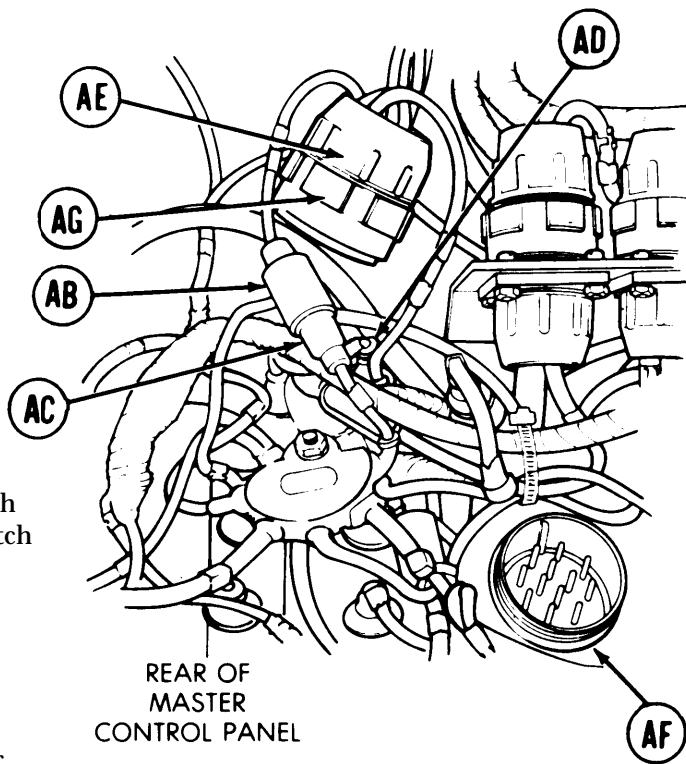


Go on to Sheet 8

BASKET/LIGHT SWITCH HARNESS REPLACEMENT (Sheet 8 of 9)



8. Install connector (Z) (CKT 75,75) to brake master cylinder (AA).



9. At rear of master control panel, attach connector (AB) (CKT 15) to light switch feed lead (AC).
10. Attach connector (AD) (CKT 19) to blackout switch connector.
11. Attach wiring harness connector (AE) to master control panel rear connector (AF).
12. Using spanner wrench, tighten spanner nut (AG) on connector (AF).

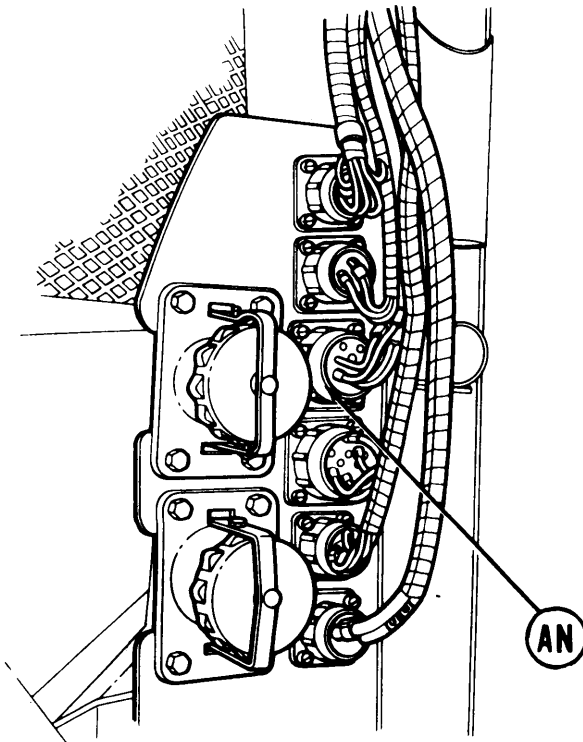
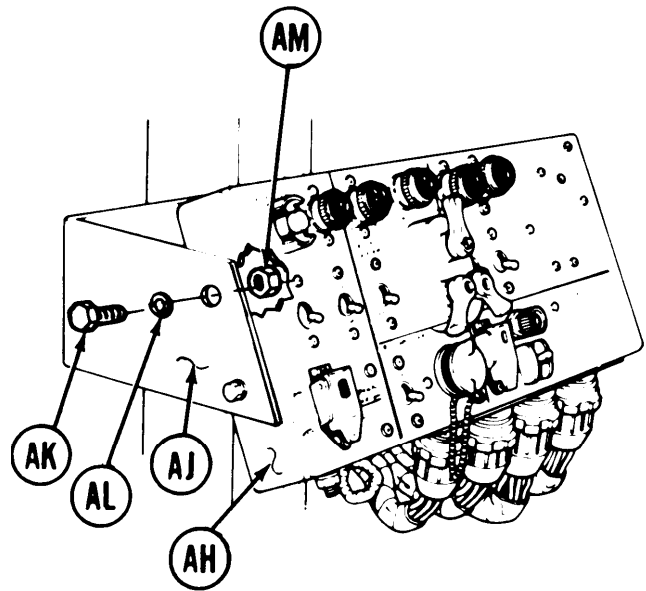
Go on to Sheet 9

TA251035



**BASKET/LIGHT SWITCH HARNESS REPLACEMENT (Sheet 9 of 9)**

13. Position master control panel (AH) in bracket (AJ).
14. Using 7/16 inch socket and 7/16 inch wrench, install four screws (AK), new lockwashers (AL), and nuts (AM) to secure panel (AH) in bracket (AJ).



15. At basket disconnect, install and attach connector (AN).
16. Install three ground straps at batteries (page 10-268).
17. Perform functional check (TM 5-5420-226-10).

End of Task

TA251036

**BASKET/CONTROL PANEL HEATER HARNESS REPLACEMENT (Sheet 1 of 4)**

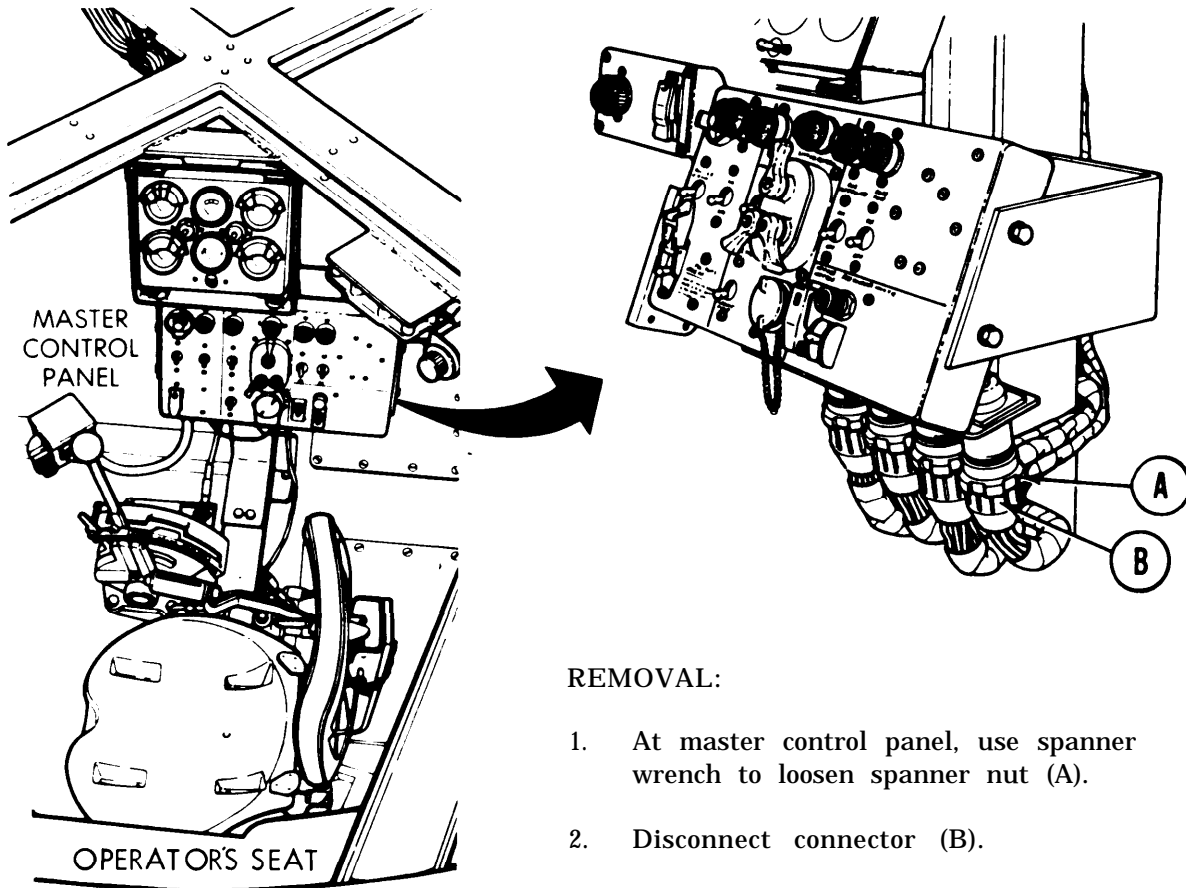
PROCEDURE INDEX

PROCEDURE	PAGE
Removal	10-296.48
Installation	10-296.50

TOOLS: Spanner wrench  
 7/16 in. socket with 1/2 in. drive  
 5 in. extension with 1/2 in. drive  
 Ratchet with 1/2 in. drive

SUPPLIES: Lockwashers (9 required)

PRELIMINARY PROCEDURE: Disconnect three ground straps at batteries (page 10-268)



REMOVAL:

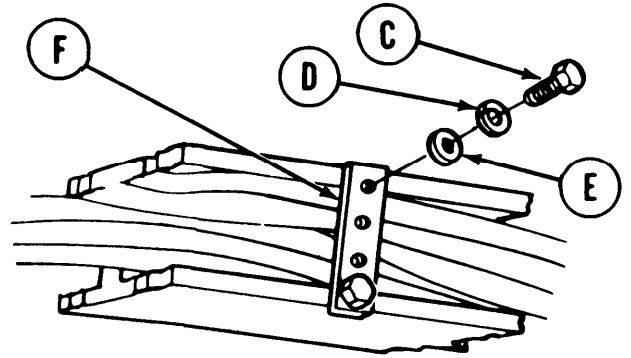
1. At master control panel, use spanner wrench to loosen spanner nut (A).
2. Disconnect connector (B).

Go on to Sheet 2

TA251037

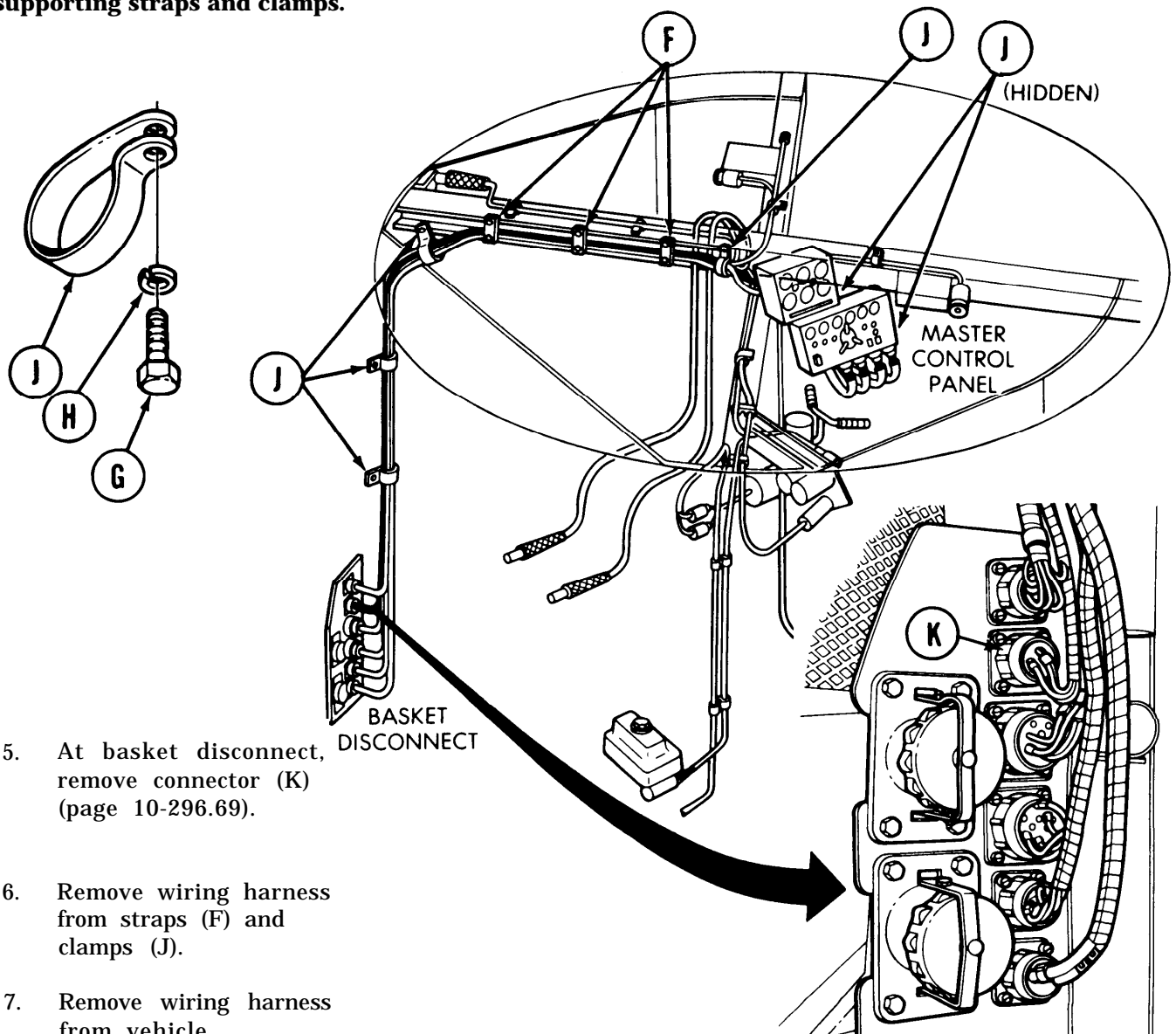
**BASKET/CONTROL PANEL HEATER HARNESS REPLACEMENT (Sheet 2 of 4)**

3. Using 7/16 inch socket, remove screws (C), lockwashers (D), and flat washers (E) securing top end of three straps (F).
4. Using 7/16 inch socket, remove screws (G) and lockwashers (H) securing six clamps (J).



**NOTE**

**This illustration shows general routing of the harness assembly and locations of supporting straps and clamps.**



5. At basket disconnect, remove connector (K) (page 10-296.69).
6. Remove wiring harness from straps (F) and clamps (J).
7. Remove wiring harness from vehicle.

Go on to Sheet 3

TA251038

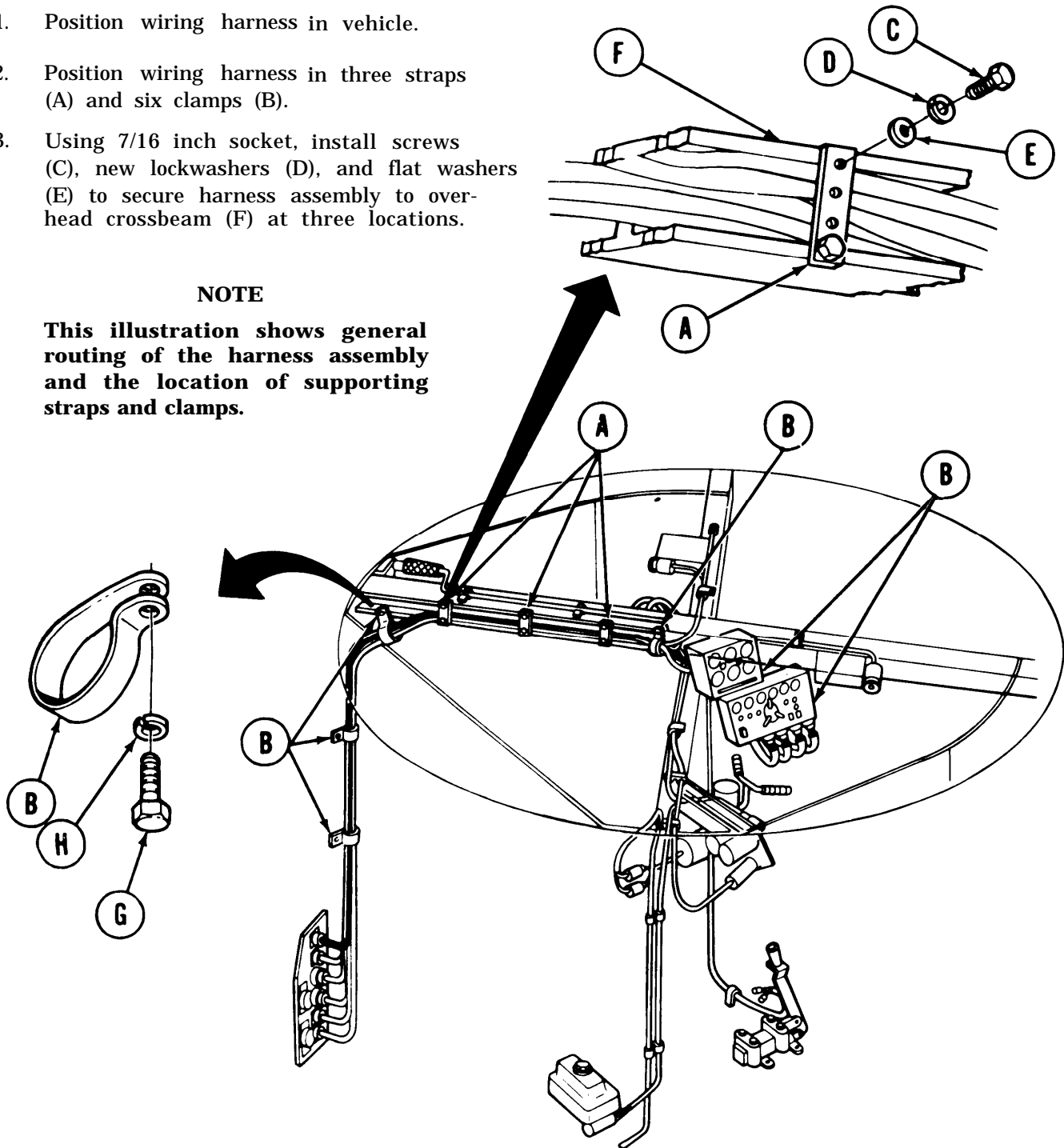
**BASKET/CONTROL PANEL HEATER HARNESS REPLACEMENT (Sheet 3 of 4)**

**INSTALLATION:**

1. Position wiring harness in vehicle.
2. Position wiring harness in three straps (A) and six clamps (B).
3. Using 7/16 inch socket, install screws (C), new lockwashers (D), and flat washers (E) to secure harness assembly to overhead crossbeam (F) at three locations.

**NOTE**

**This illustration shows general routing of the harness assembly and the location of supporting straps and clamps.**



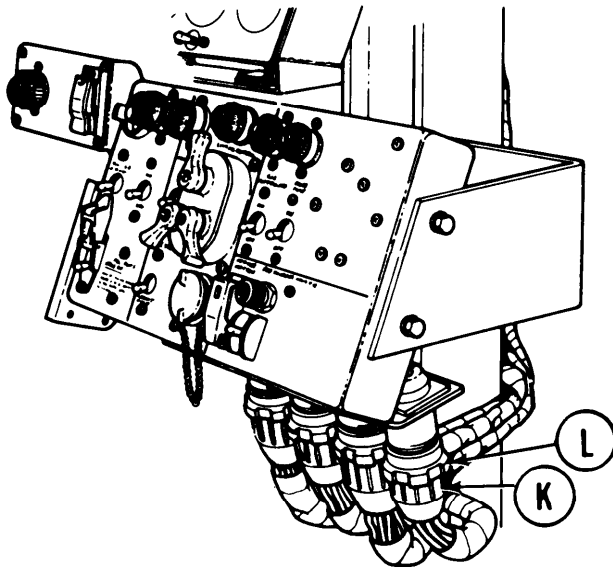
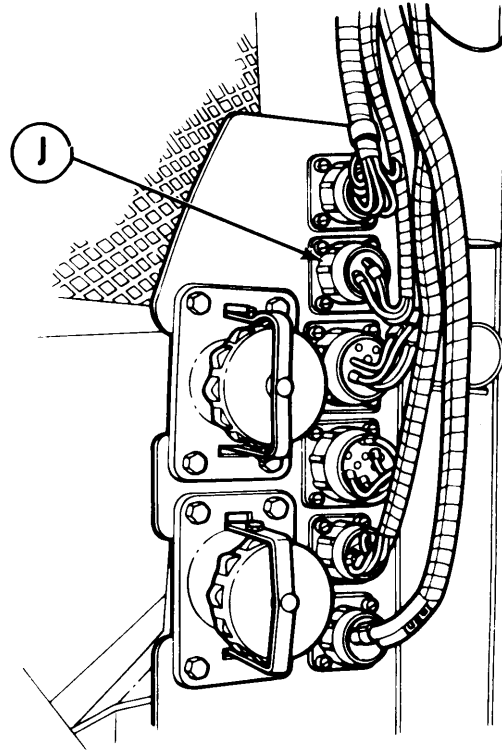
4. Using 7/16 inch socket, install screws (G) and new lockwashers (H) to secure harness assembly at six locations.

Go on to Sheet 4

TA251039

**BASKET/CONTROL PANEL HEATER HARNESS REPLACEMENT (Sheet 4 of 4)**

5. At basket disconnect, install connector (J) (page 10-296.71).



6. At master control panel, install connector (K).
7. Using spanner wrench, tighten spanner nut (L).
8. Install three ground straps at batteries (page 10-268).

End of Task

TA251040

**HEATER/BASKET HARNESS REPLACEMENT (Sheet 1 of 5)**

PROCEDURE INDEX

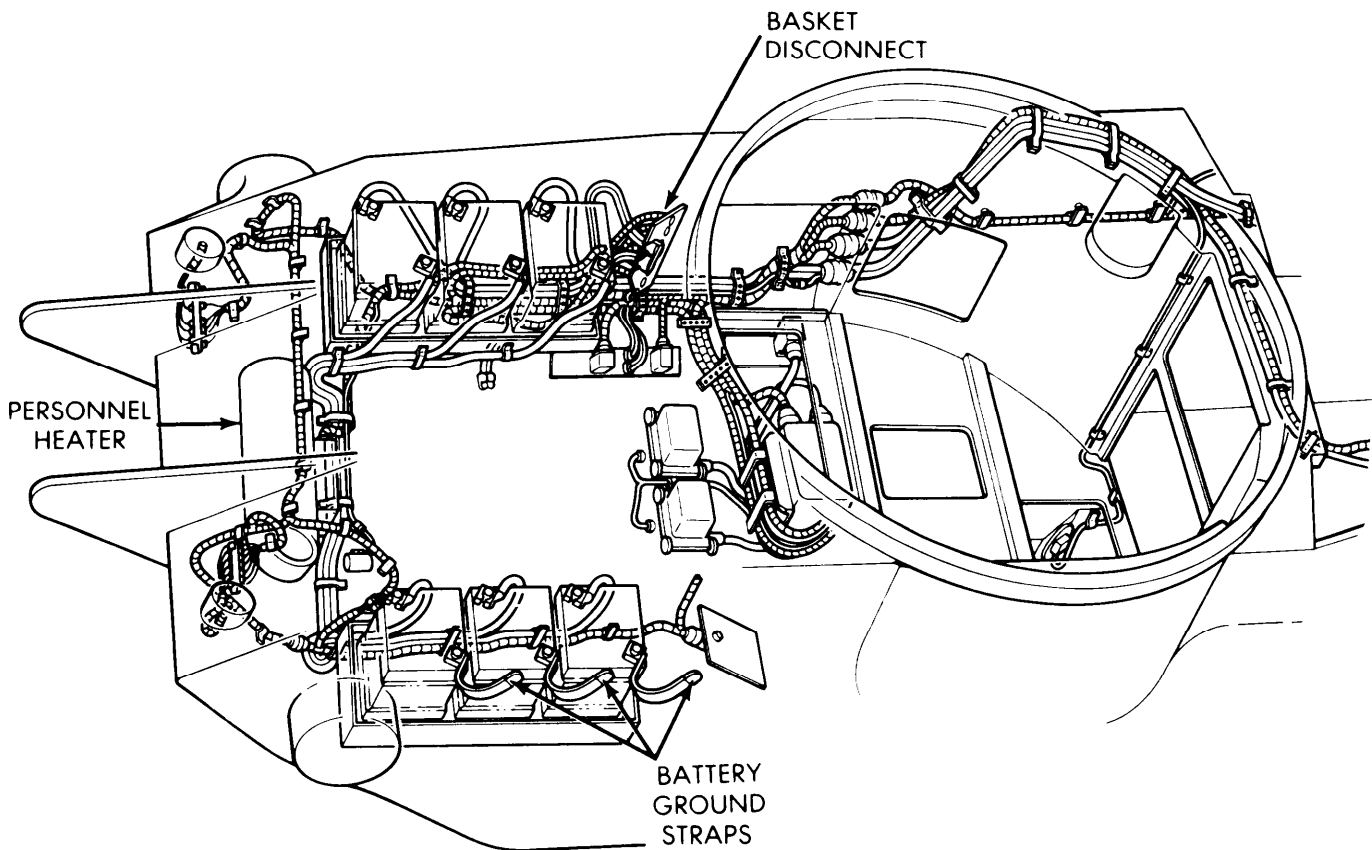
PROCEDURE	PAGE
Removal	10-296.53
Installation	10-296.55

TOOLS: Spanner wrench  
 7/16 in. socket with 1/2 in. drive  
 Ratchet with 1/2 in. drive  
 Pliers

SUPPLIES: Lockwashers (3 required)

REFERENCES: TM 5-5420-226-10

PRELIMINARY PROCEDURE: Disconnect three ground straps at batteries (page 10-268)-



Go on to Sheet 2

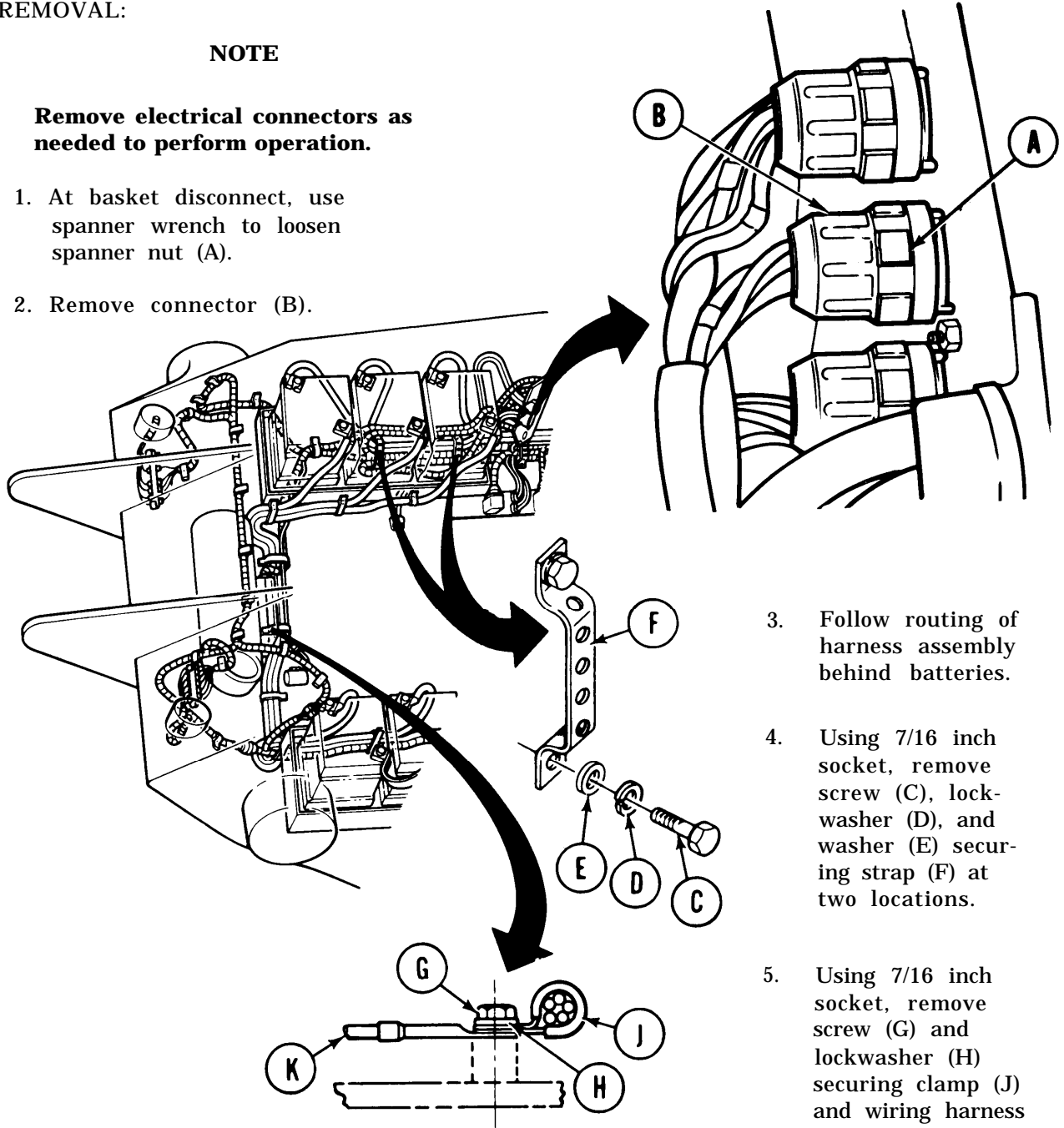
**HEATER/BASKET HARNESS REPLACEMENT (Sheet 2 of 5)**

REMOVAL:

**NOTE**

**Remove electrical connectors as needed to perform operation.**

1. At basket disconnect, use spanner wrench to loosen spanner nut (A).
2. Remove connector (B).

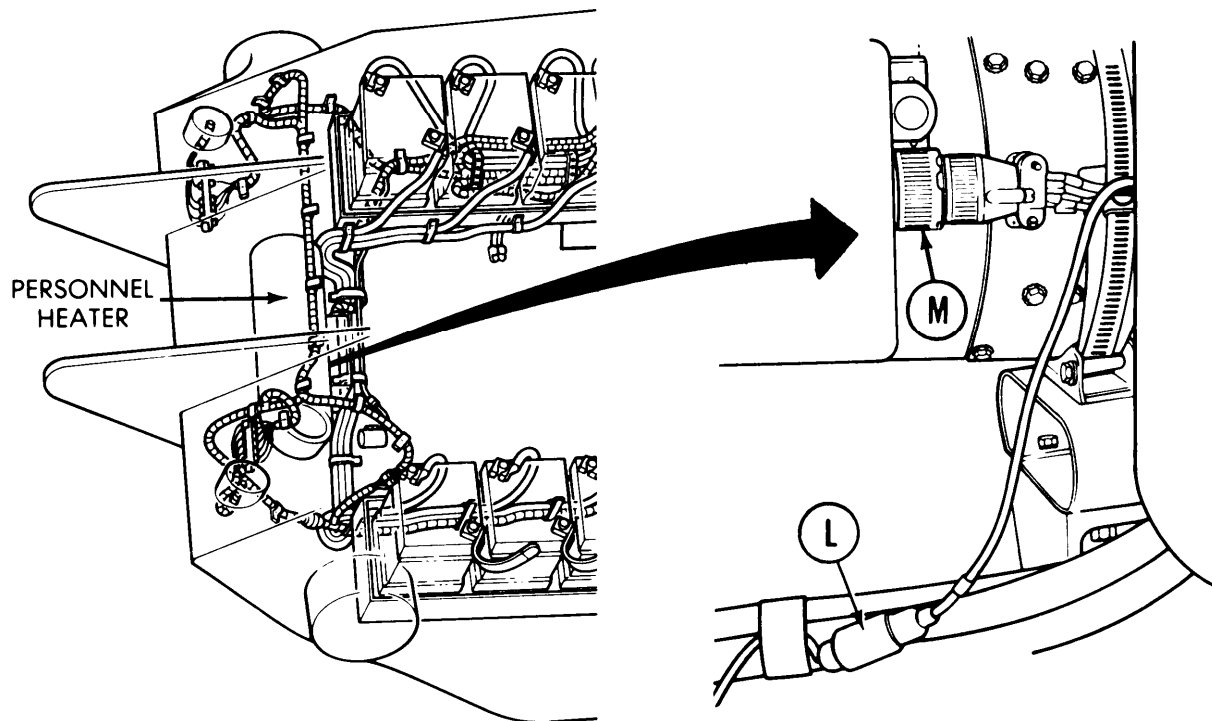


3. Follow routing of harness assembly behind batteries.
4. Using 7/16 inch socket, remove screw (C), lock-washer (D), and washer (E) securing strap (F) at two locations.
5. Using 7/16 inch socket, remove screw (G) and lockwasher (H) securing clamp (J) and wiring harness ground lead (K).

Go on to Sheet 3

TA251042

HEATER/BASKET HARNESS REPLACEMENT (Sheet 3 of 5)



6. At personnel heater, disconnect harness electrical lead (L) from heater fuel pump lead.
7. Using pliers, disconnect harness connector (M) from personnel heater.
8. Remove harness from vehicle.

Go on to Sheet 4

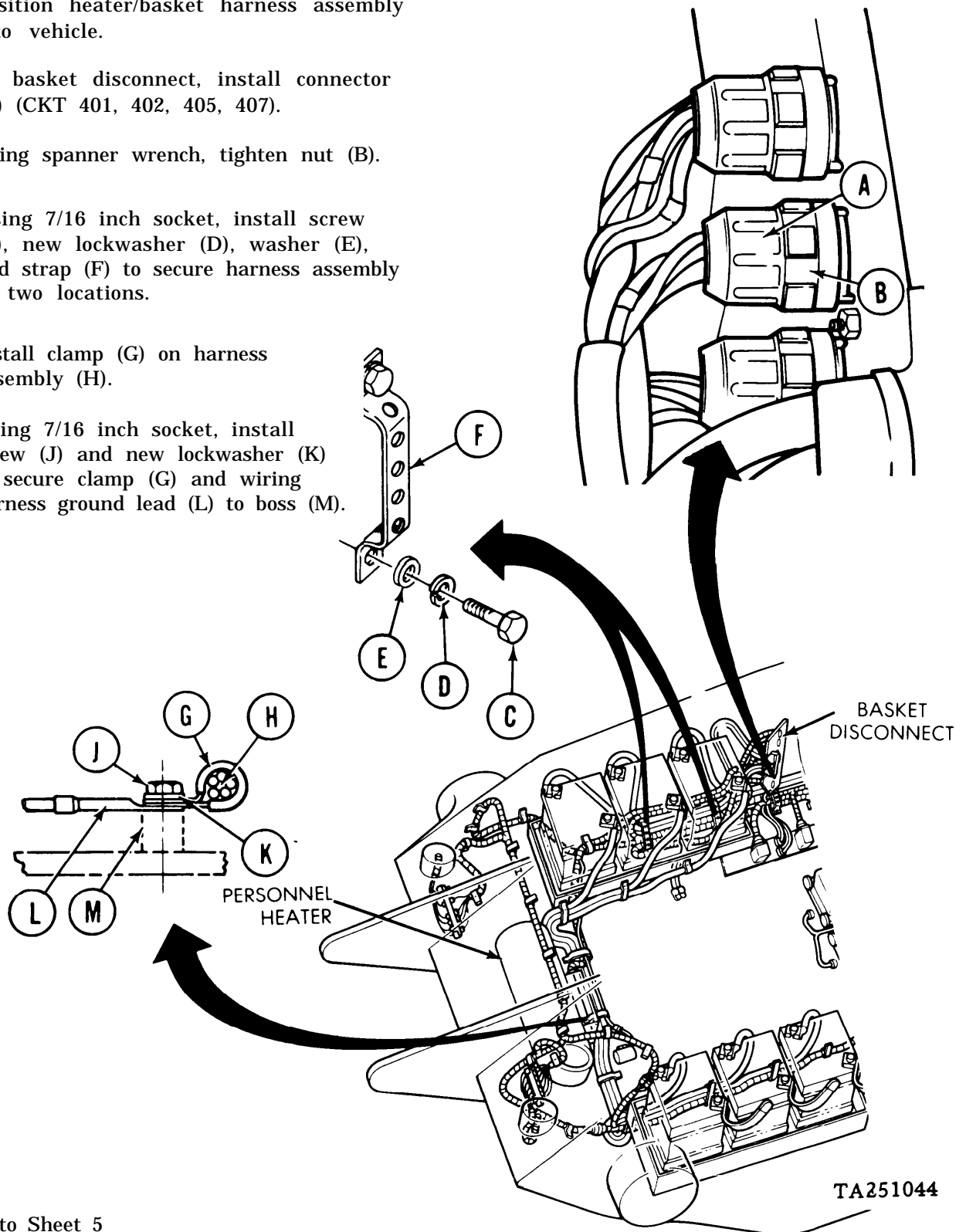
TA251043



**HEATER/BASKET HARNESS REPLACEMENT (Sheet 4 of 5)**

**INSTALLATION:**

1. Position heater/basket harness assembly into vehicle.
2. At basket disconnect, install connector (A) (CKT 401, 402, 405, 407).
3. Using spanner wrench, tighten nut (B).
4. Using 7/16 inch socket, install screw (C), new lockwasher (D), washer (E), and strap (F) to secure harness assembly at two locations.
5. Install clamp (G) on harness assembly (H).
6. Using 7/16 inch socket, install screw (J) and new lockwasher (K) to secure clamp (G) and wiring harness ground lead (L) to boss (M).

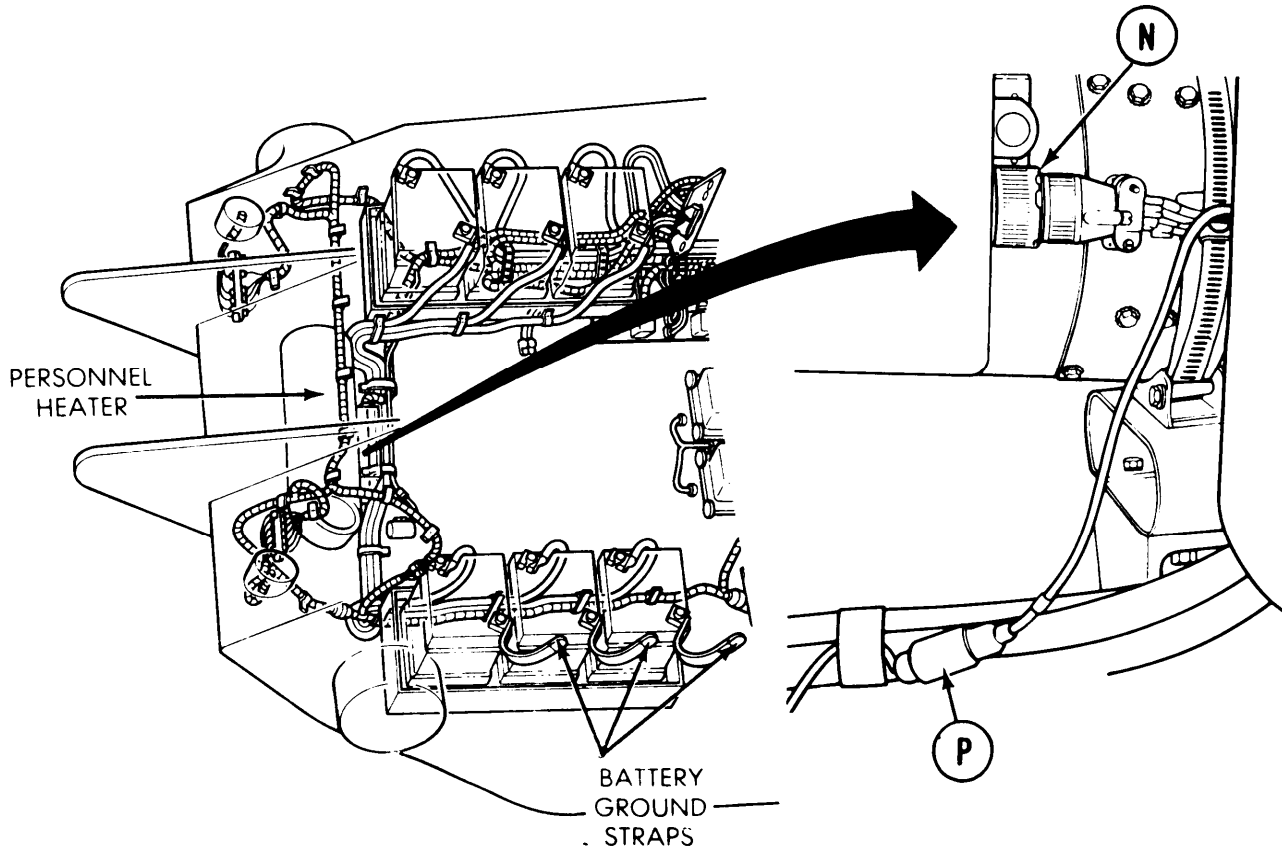


TA251044

Go on to Sheet 5

**HEATER/BASKET HARNESS REPLACEMENT (Sheet 5 of 5)**

7. Using pliers, install connector (N) on personnel heater.
8. Connect harness electrical lead (P) to heater fuel pump.
9. Install three battery ground straps (page 10-268).
10. Perform functional check (TM 5-5420-226-10).



End of Task

TA251045

**BASKET/GAGE INDICATOR PANEL HARNESS REPLACEMENT (Sheet 1 of 6)**

PROCEDURE INDEX

PROCEDURE	PAGE
Removal	10-296.57
Installation	10-296.60

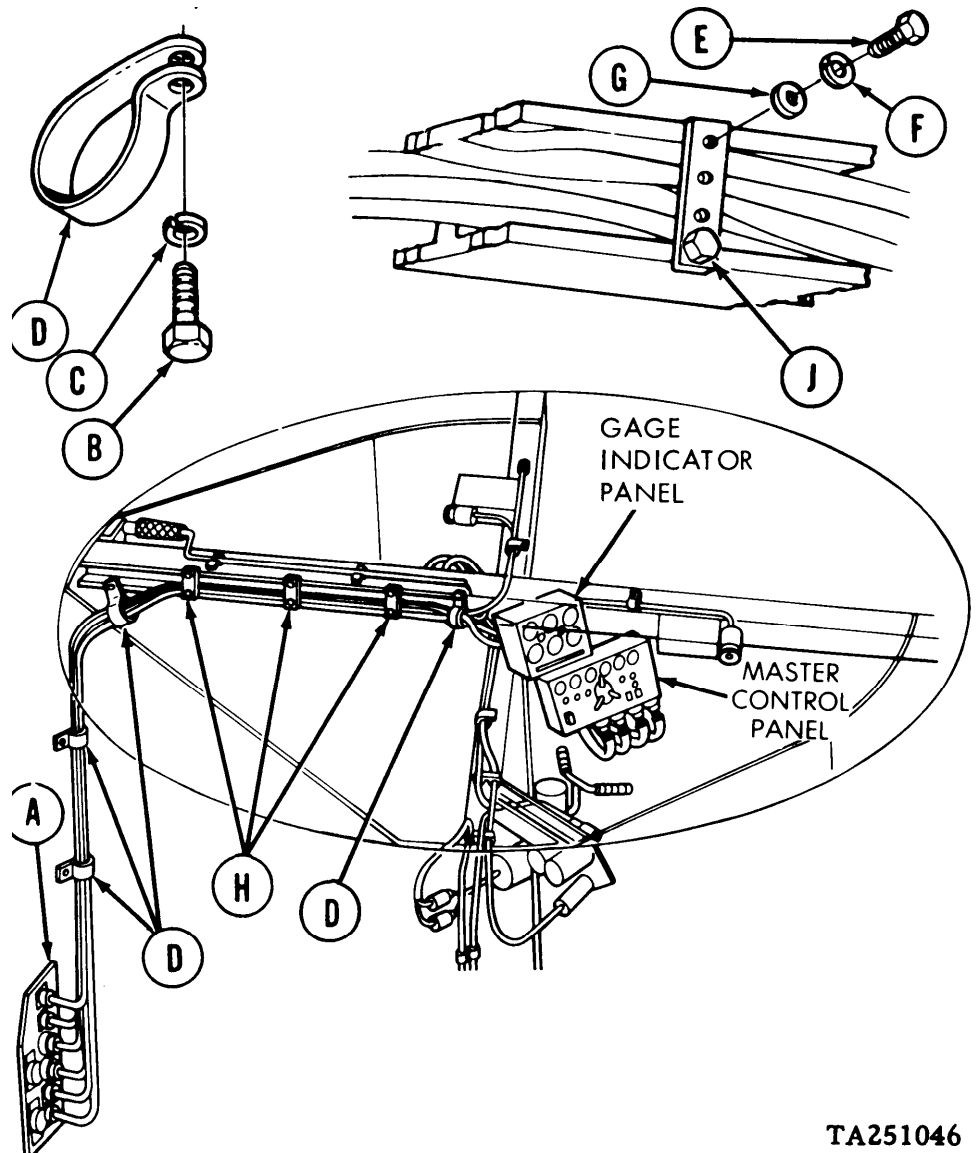
TOOLS: Spanner wrench  
 7/16 in. socket with 1/2 in. drive  
 Ratchet with 1/2 in. drive  
 7/16 in. combination box and open end wrench

SUPPLIES: Lockwashers (13 required)

PRELIMINARY PROCEDURE: Disconnect three ground straps at batteries (page 10-268)

REMOVAL:

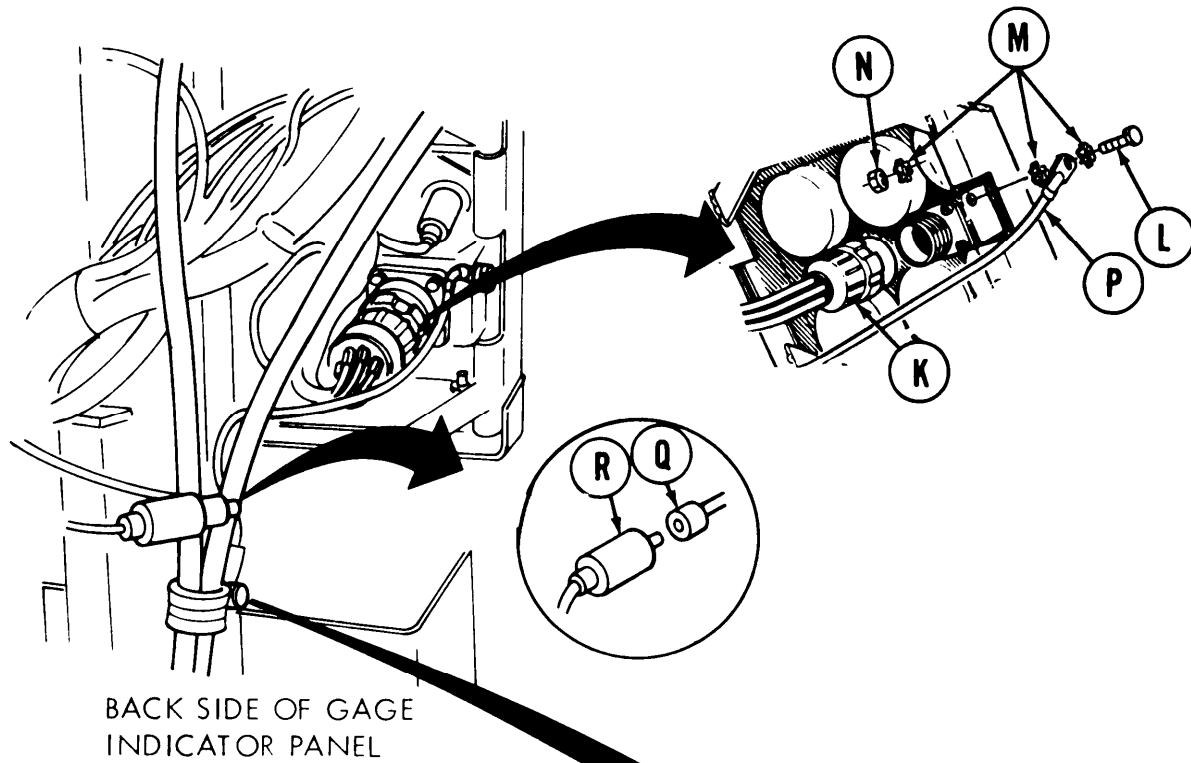
- Using spanner wrench, disconnect harness assembly (A) from basket disconnect.
- Using 7/16 inch socket, remove screws (B), lockwashers (C), and clamps (D) at four locations.
- Using 7/16 inch socket, remove top screw (E), lockwasher (F), and flat washer (G) securing strap (H) at three locations. Leave bottom screw (J) installed.



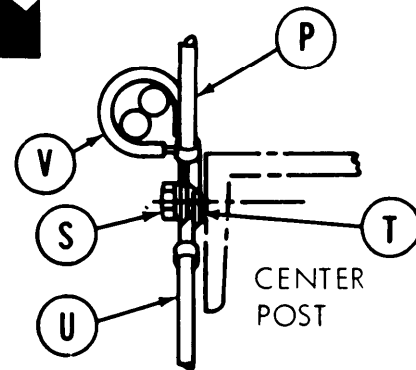
Go on to Sheet 2

TA251046

BASKET/GAGE INDICATOR PANEL HARNESS REPLACEMENT (Sheet 2 of 6)



4. At back side of gage indicator panel, use spanner wrench to disconnect connector (K) from gage indicator panel.
5. Using 7/16 inch socket and 7/16 inch wrench, remove screw (L), three star washers (M), and nut (N) securing ground lead (P) to gage indicator panel.
6. Disconnect electrical leads (Q) and (R) (CKT 27).
7. Using 7/16 inch socket, remove screw (S) and lockwasher (T) securing ground leads (P) and (U) and clamp (V) to center post.

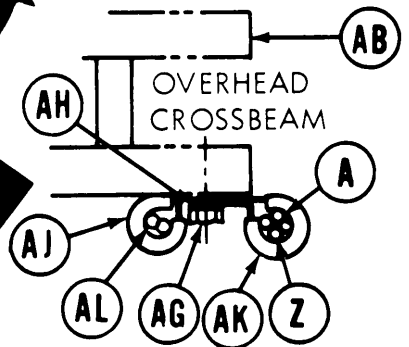
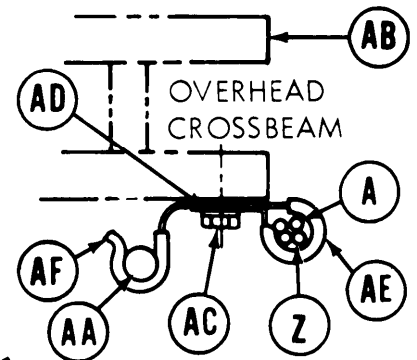
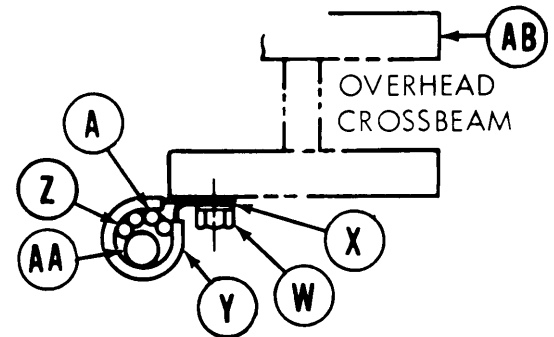
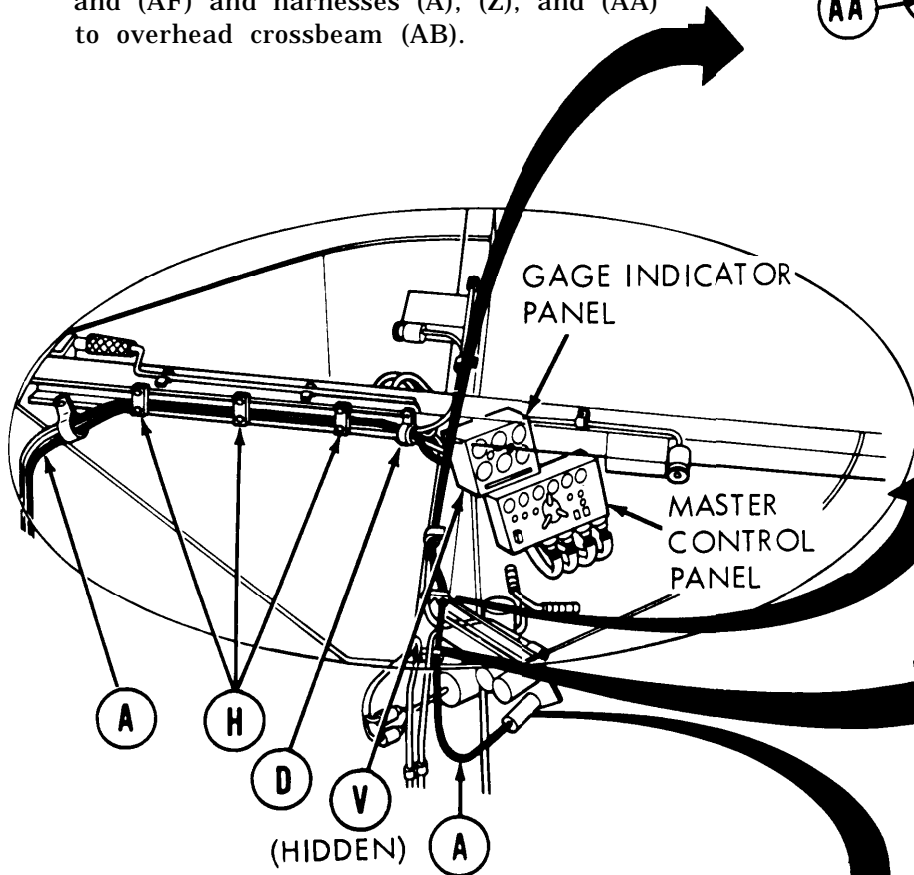


Go on to Sheet 3

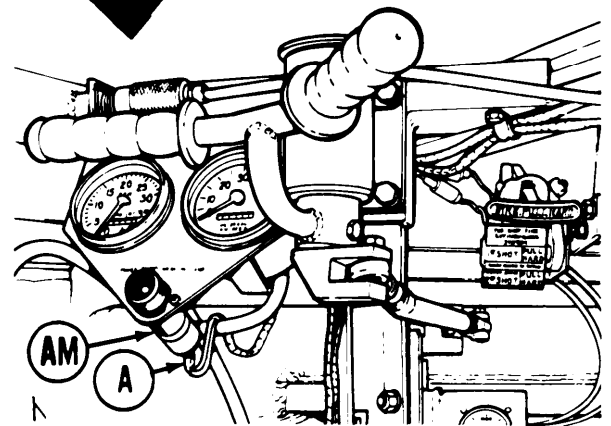
TA251047

**BASKET/GAGE INDICATOR PANEL HARNESS REPLACEMENT (Sheet 3 of 6)**

8. Using 7/16 inch socket, remove screw (W) and lockwasher (X) securing clamp (Y) and harnesses (A), (Z), and (AA) to overhead crossbeam (AB).
9. Using 7/16 inch socket, remove screw (AC) and lockwasher (AD) from clamps (AE) and (AF) and harnesses (A), (Z), and (AA) to overhead crossbeam (AB).



10. Using 7/16 inch socket, remove screw (AG) and lockwasher (AH) from clamps (AJ) and (AK) and harnesses (A), (Z), and (AL) to overhead crossbeam (AB).
11. At operator's station, disconnect harness (A) from powerplant warning lamp (AM).
12. Remove basket/gage indicator panel wiring harness (A) from behind straps (H) and out of clamps (D), (V), (Y), (AE), (AF), (AJ), and (AK).
13. Remove harness (A) from vehicle.



OPERATOR'S STATION

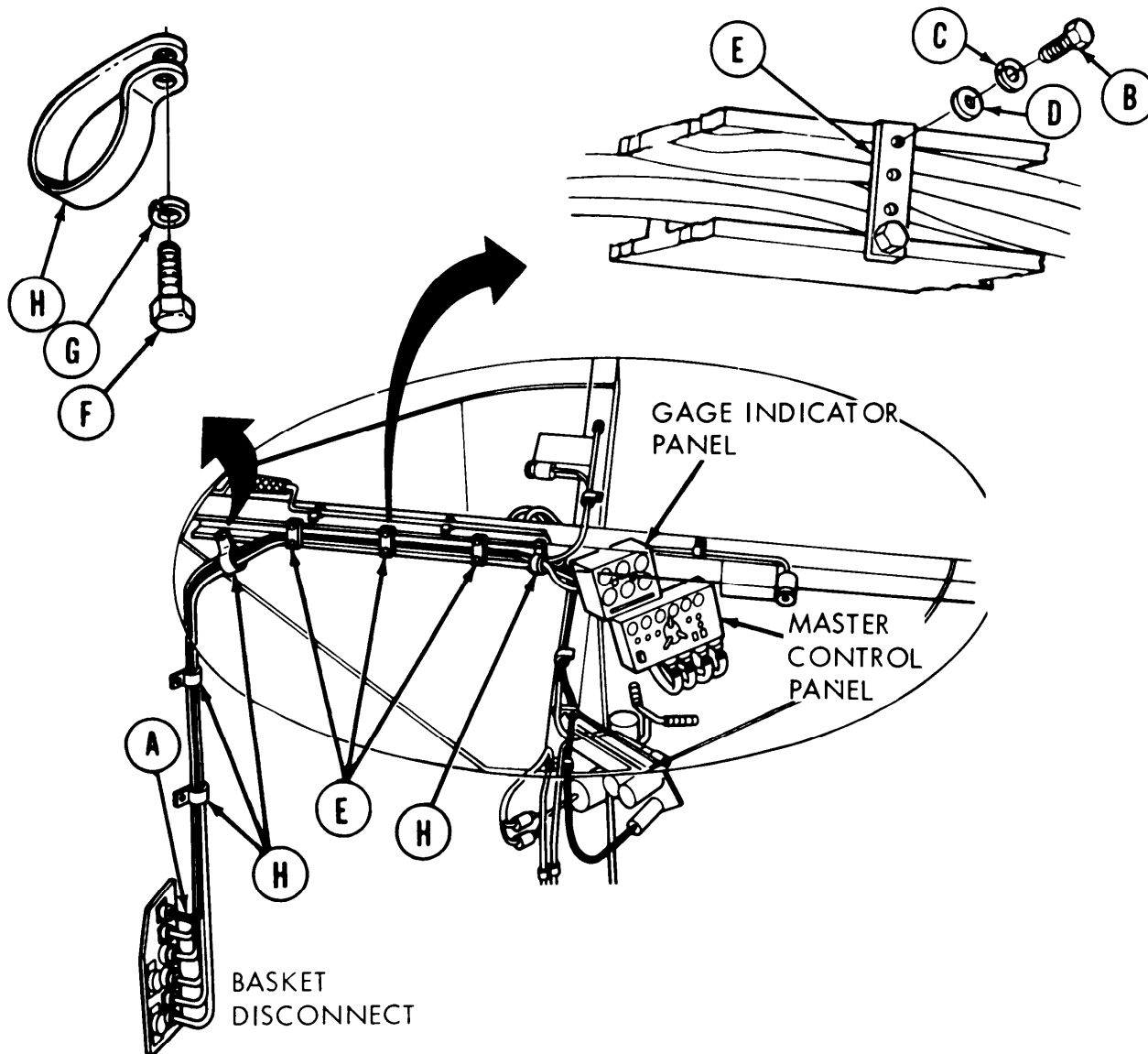
Go on to Sheet 4

TA251048

**BASKET/GAGE INDICATOR PANEL HARNESS REPLACEMENT (Sheet 4 of 6)**

INSTALLATION:

1. Place harness assembly (A) behind straps and through clamps.
2. Using 7/16 inch socket, install screw (B), new lockwasher (C), and flat washer (D) to secure strap (E) at three locations.
3. Using 7/16 inch socket, install screw (F) and new lockwasher (G) to secure clamp (H) at four locations.

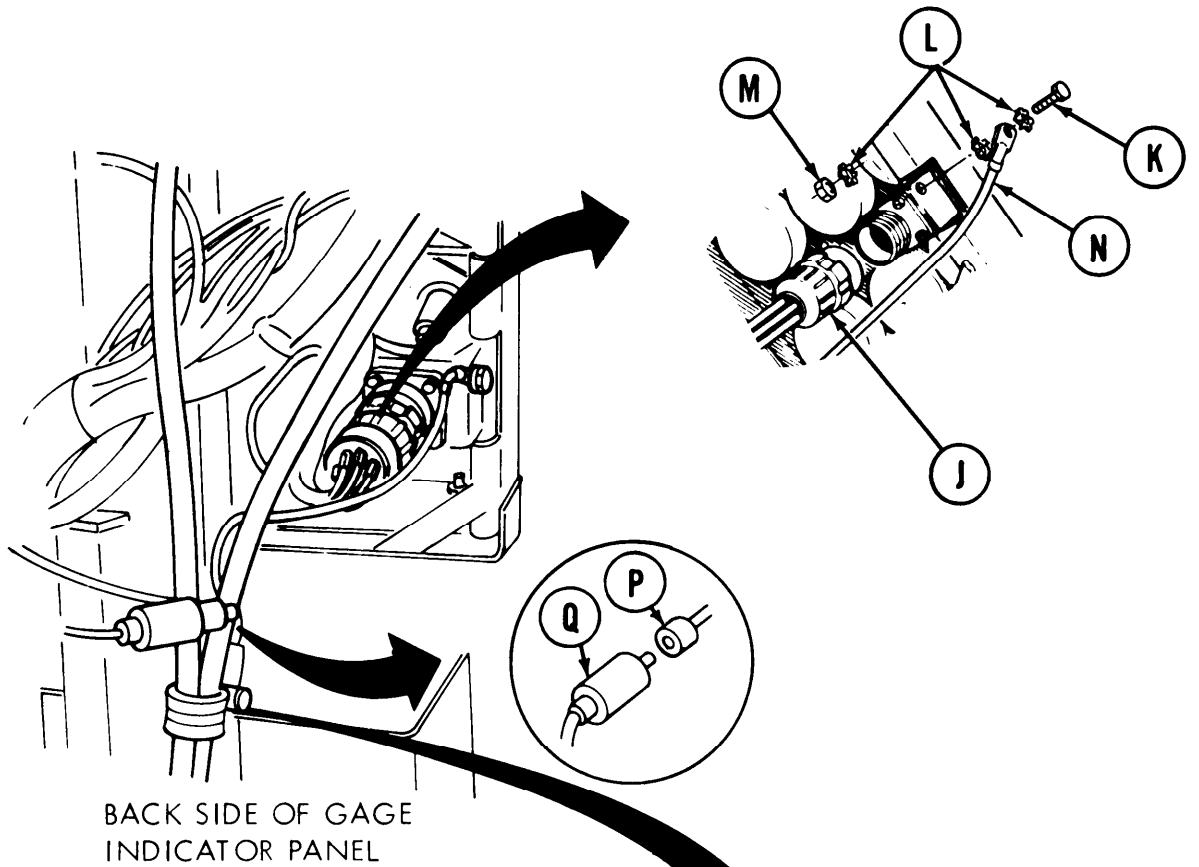


4. Install and connect harness assembly (A) at basket disconnect (page 10-296.71).

Go on to Sheet 5

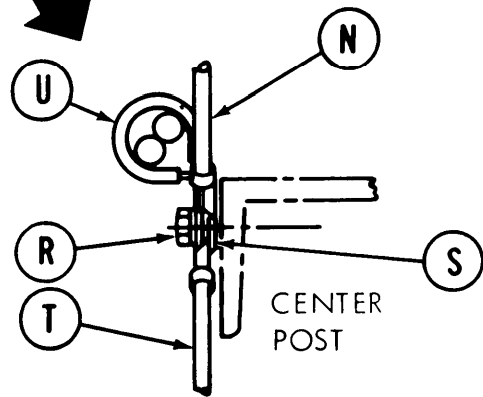
TA251049

**BASKET/GAGE INDICATOR PANEL HARNESS REPLACEMENT (Sheet 5 of 6)**



BACK SIDE OF GAGE INDICATOR PANEL

5. At back side of gage indicator panel, use spanner wrench to connect harness connector (J) to gage indicator panel connector.
6. Using 7/16 inch socket and 7/16 inch wrench, install screw (K), three new star washers (L), and nut (M) securing ground lead (N) to gage indicator panel.
7. Connect electrical leads (P) and (Q) (CKT 27).
8. Using 7/16 inch socket, install screw (R) and new lockwasher (S) securing ground leads (N) and (T) and clamp (U) to center post.

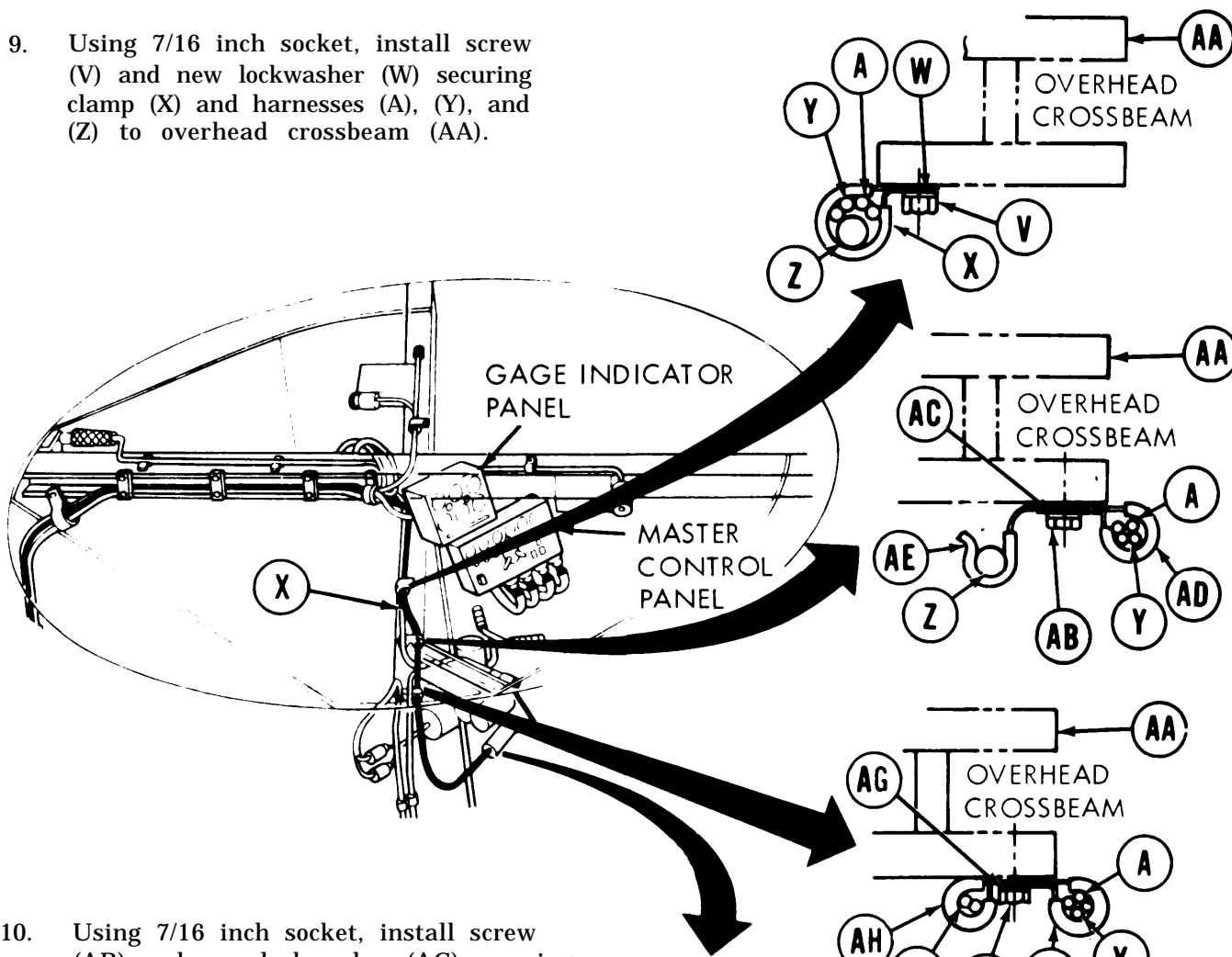


Go on to Sheet 6

TA251050

**GASKET/GAGE INDICATOR PANEL HARNESS REPLACEMENT (Sheet 6 of 6)**

9. Using 7/16 inch socket, install screw (V) and new lockwasher (W) securing clamp (X) and harnesses (A), (Y), and (Z) to overhead crossbeam (AA).

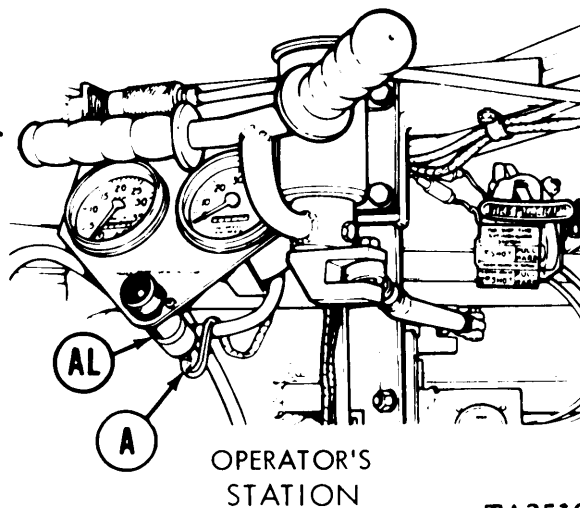


10. Using 7/16 inch socket, install screw (AB) and new lockwasher (AC) securing clamps (AD) and (AE) and harnesses (A), (Y), and (Z) to overhead crossbeam (AA).

11. Using 7/16 inch socket, install screw (AF) and new lockwasher (AG) securing clamps (AH) and (AJ) and harnesses (A), (Y), and (AK) to overhead crossbeam (AA).

12. At operator's station, connect harness (A) to powerplant warning lamp (AL).

13. Connect three ground straps at batteries (page 10-268).



End of Task

TA251051



**INFRARED PERISCOPE CABLE REPLACEMENT (Sheet 1 of 6)**

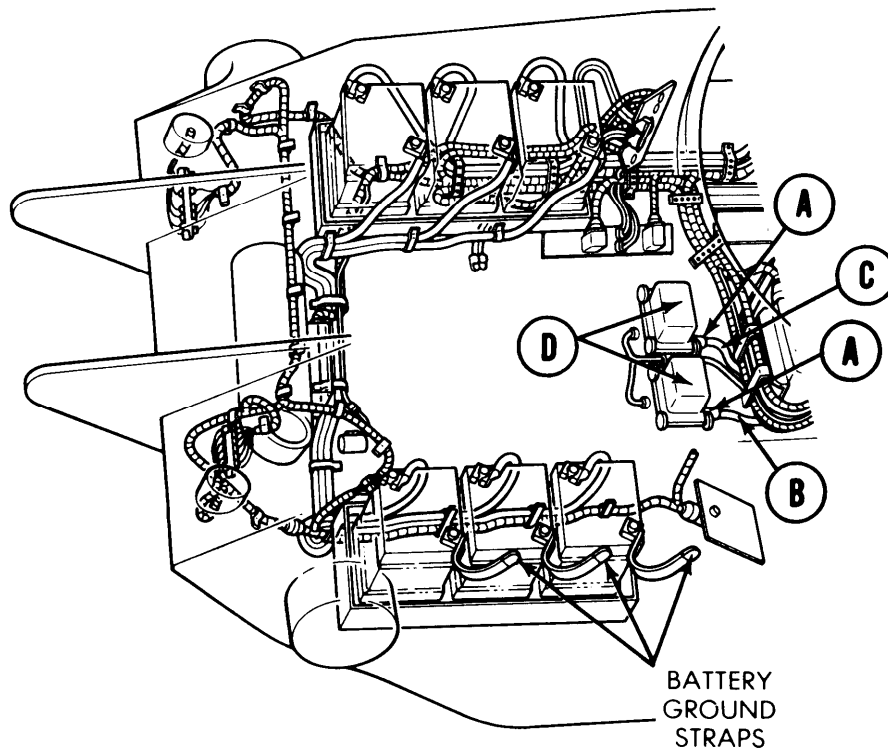
PROCEDURE INDEX

PROCEDURE	PAGE
Removal	10-296.63
Installation	10-296.66

TOOLS: 7/16 in. socket with 1/2 in. drive  
 1 in. combination box and open end wrench  
 Ratchet with 1/2 in. drive

SUPPLIES: Lockwashers (3 required)

PRELIMINARY PROCEDURES: Remove commander's periscope stowage box (TM 5-5420-228-24)  
 Remove floor access cover under commander's periscope stowage box (page 17-9)  
 Remove three ground straps at batteries (page 10-268)

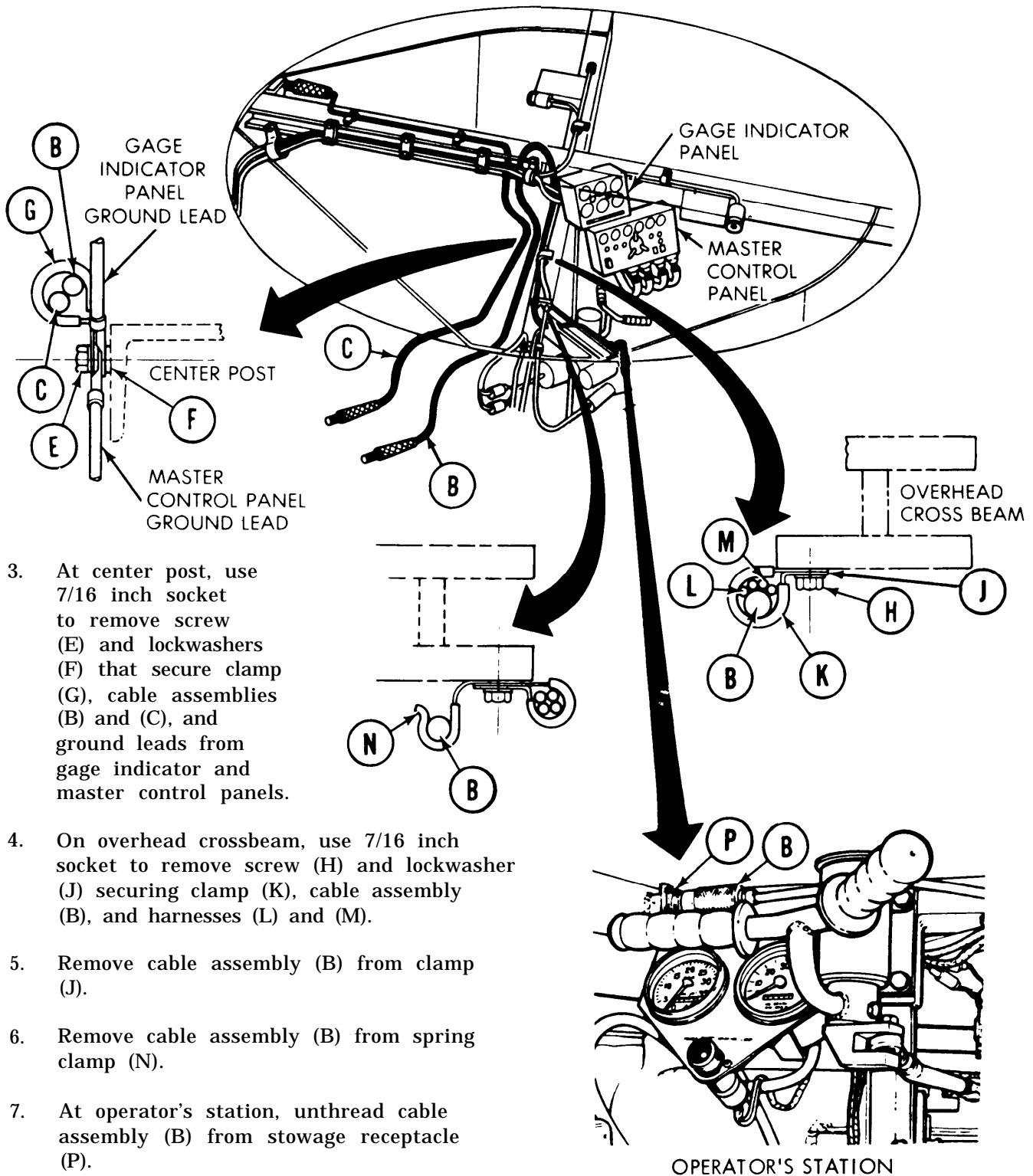


REMOVAL:

1. Using wrench, loosen nuts (A) on two cable assemblies (B and C) at I.R. powerpacks (D).
2. Disconnect two cable assemblies (B) and (C) from I.R. powerpacks (D).

Go on to Sheet 2

INFRARED PERISCOPE CABLE REPLACEMENT (Sheet 2 of 6)



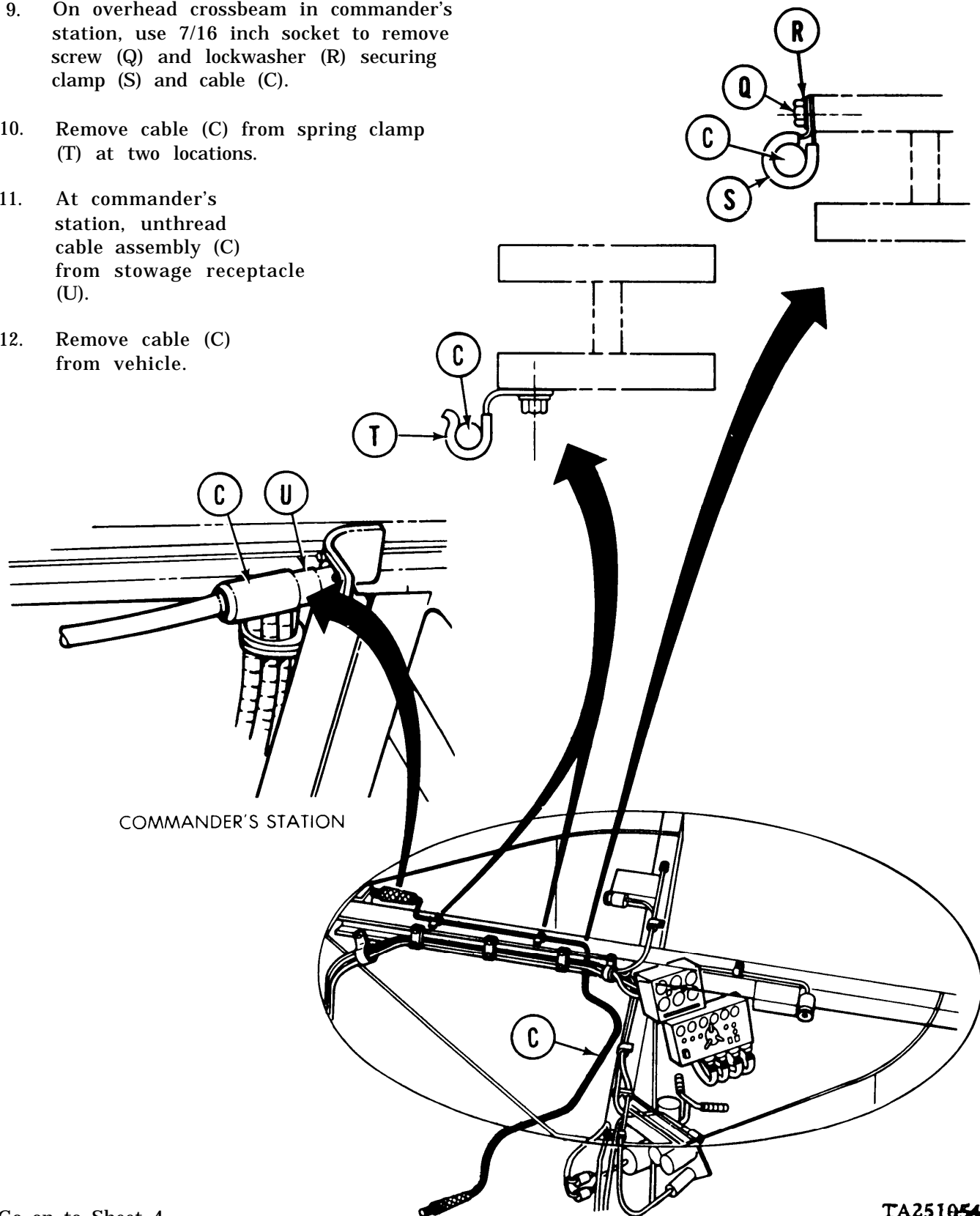
3. At center post, use 7/16 inch socket to remove screw (E) and lockwashers (F) that secure clamp (G), cable assemblies (B) and (C), and ground leads from gage indicator and master control panels.
4. On overhead crossbeam, use 7/16 inch socket to remove screw (H) and lockwasher (J) securing clamp (K), cable assembly (B), and harnesses (L) and (M).
5. Remove cable assembly (B) from clamp (J).
6. Remove cable assembly (B) from spring clamp (N).
7. At operator's station, unthread cable assembly (B) from stowage receptacle (P).
8. Remove cable (B) from vehicle.

Go on to Sheet 3

TA251053

**INFRARED PERISCOPE CABLE REPLACEMENT (Sheet 3 of 6)**

9. On overhead crossbeam in commander's station, use 7/16 inch socket to remove screw (Q) and lockwasher (R) securing clamp (S) and cable (C).
10. Remove cable (C) from spring clamp (T) at two locations.
11. At commander's station, unthread cable assembly (C) from stowage receptacle (U).
12. Remove cable (C) from vehicle.



COMMANDER'S STATION

Go on to Sheet 4

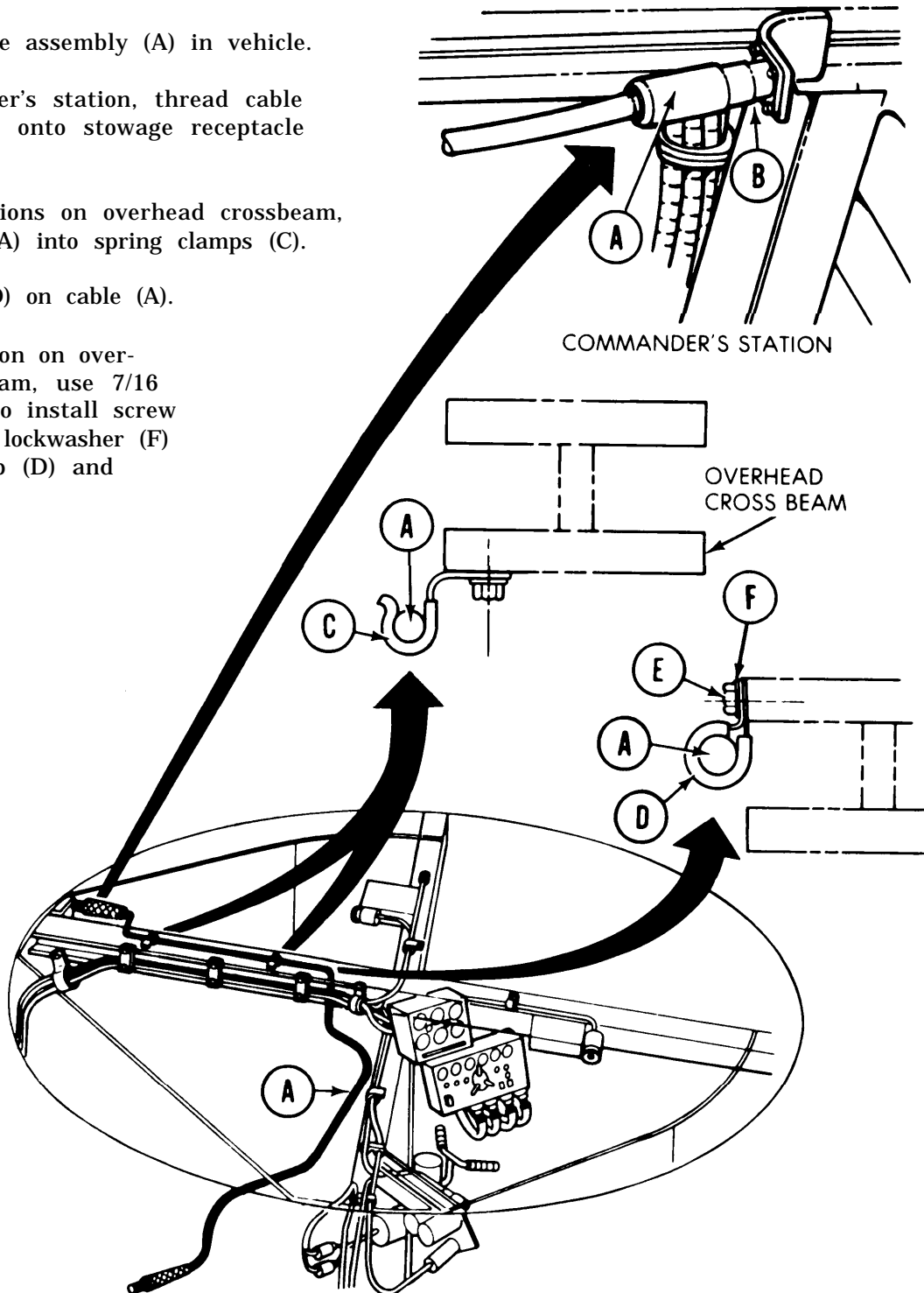
TA251054

Change 6 10-296.65

**INFRARED PERISCOPE CABLE REPLACEMENT (Sheet 4 of 6)**

**INSTALLATION:**

1. Position cable assembly (A) in vehicle.
2. At commander's station, thread cable assembly (A) onto stowage receptacle (B).
3. At two locations on overhead crossbeam, press cable (A) into spring clamps (C).
4. Put clamp (D) on cable (A).
5. At one location on overhead crossbeam, use 7/16 inch socket to install screw (E) and new lockwasher (F) securing clamp (D) and cable (A).

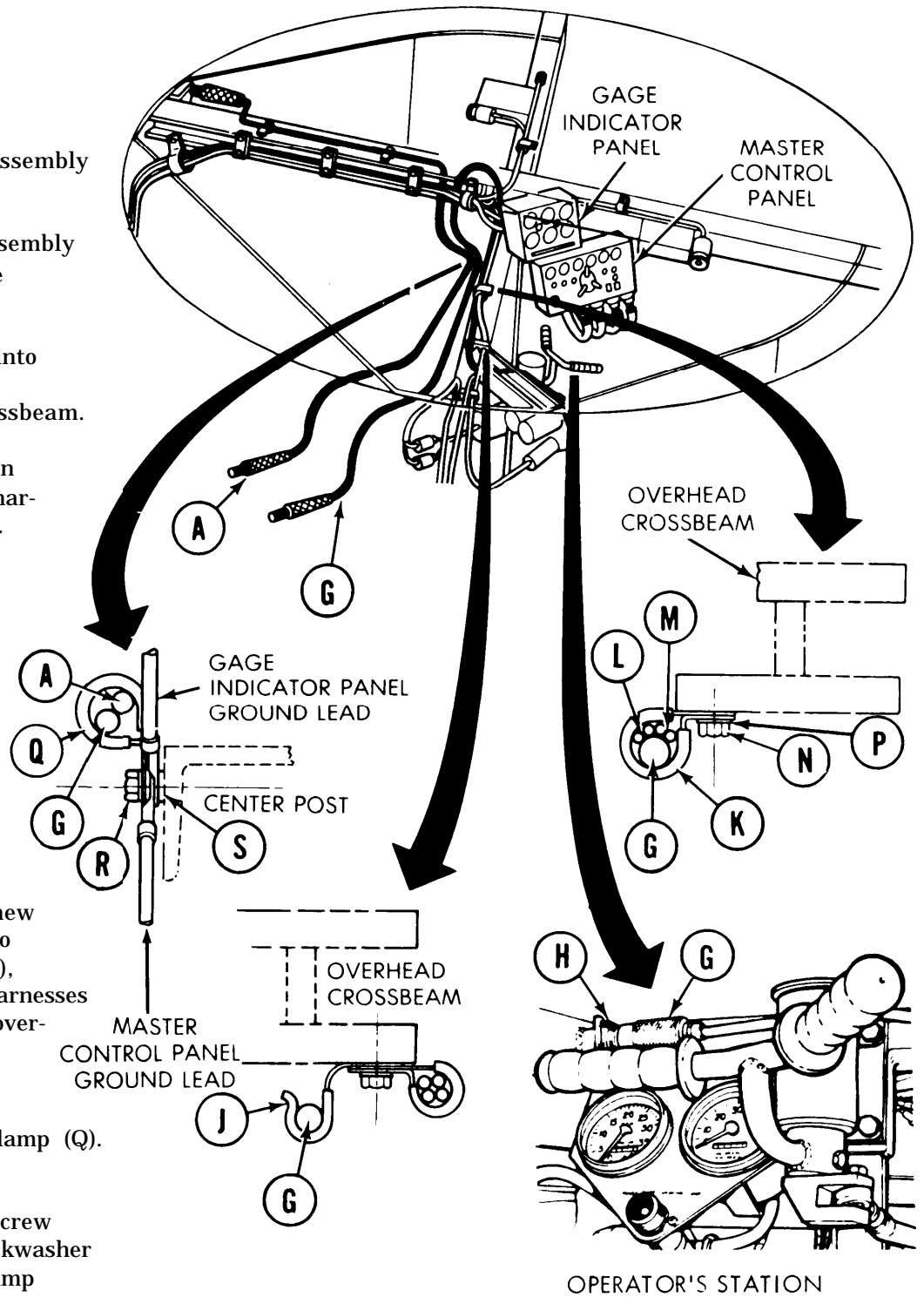


Go on to Sheet 5

TA251055

**INFRARED PERISCOPE CABLE REPLACEMENT (Sheet 5 of 6)**

6. Position cable assembly (G) in vehicle.
7. Thread cable assembly (G) onto stowage receptacle (H).
8. Press cable (G) into spring clamp (J) on overhead crossbeam.
9. Place cable (G) in clamp (K) with harnesses (L) and (M).



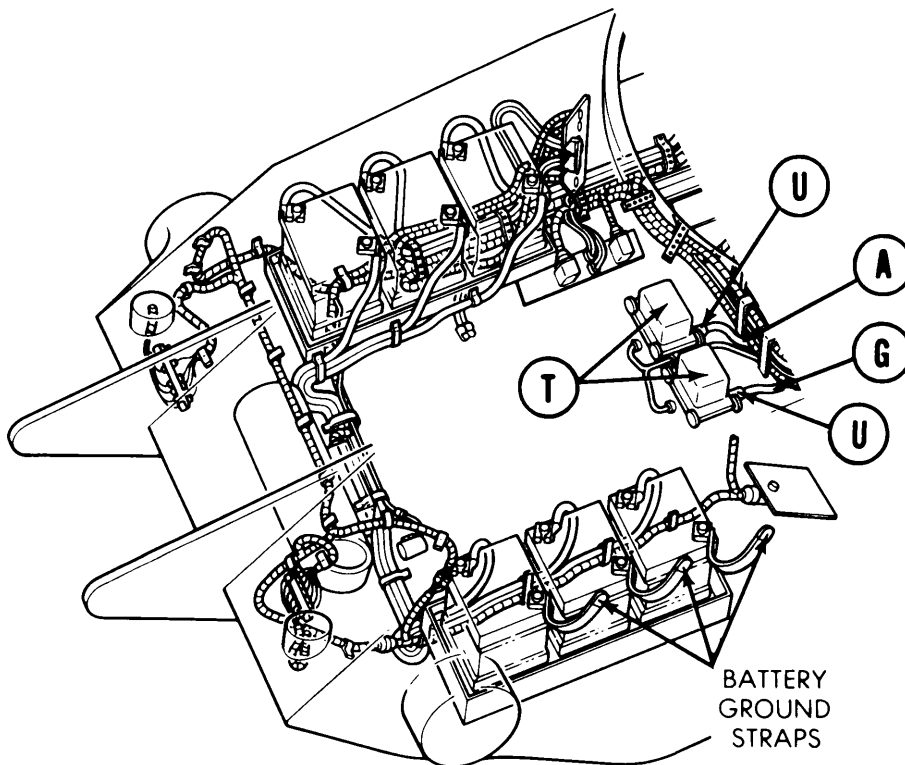
10. Using 7/16 inch socket, install screw (N) and new lockwasher (P) to secure clamp (K), cable (G), and harnesses (L) and (M) to overhead crossbeam.
11. Place cables (A) and (G) inside clamp (Q).
12. Using 7/16 inch socket, install screw (R) and new lockwasher (S) to secure clamp (Q) and ground leads from gage indicator and master control panels to center post.

Go on to Sheet 6

TA251056

**INFRARED PERISCOPE CABLE REPLACEMENT (Sheet 6 of 6)**

13. Install cables (A) and (G) on I.R. power packs (T).
14. Using wrench, tighten two nuts (U) to secure cables (A) and (G) to I.R. power packs (T).
15. Install three ground straps at batteries (page 10-268).
16. Install floor access cover under commander's periscope stowage box (page 17-9).
17. Install commander's periscope stowage box (TM 5-5420-228-24).



End of Task

TA251057

**BASKET WIRING HARNESS DISCONNECT (Sheet 1 of 4)**

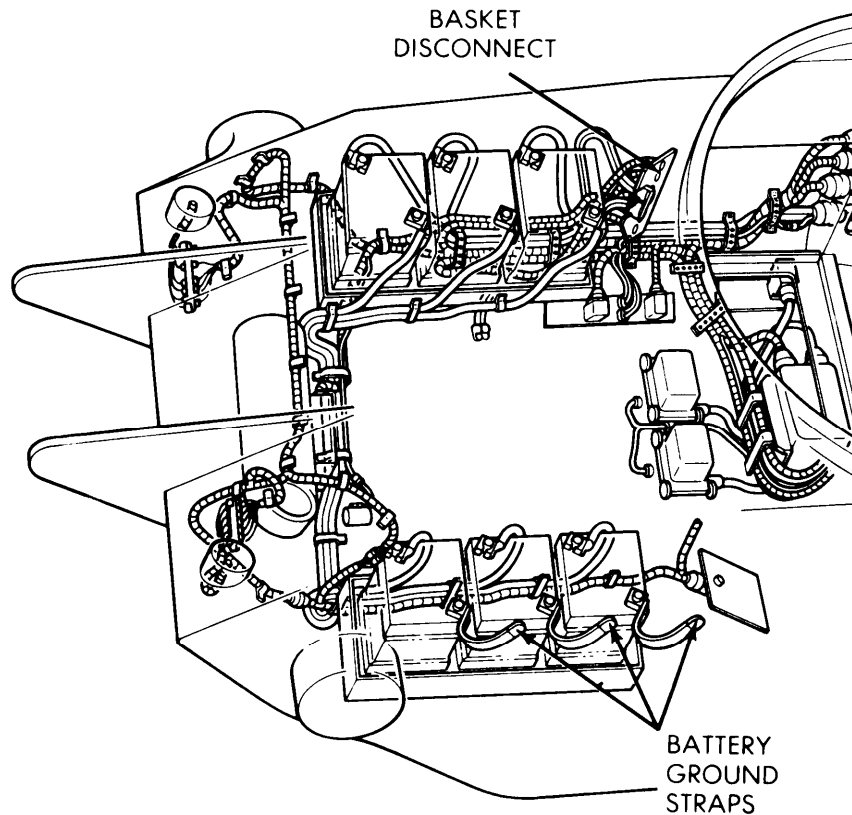
PROCEDURE INDEX

PROCEDURE	PAGE
Remova	10-296.70
Installation	10-296.71

TOOLS: Spanner wrench  
Flat-tip screwdriver

SUPPLIES: Identification tags (Item 30, Appendix B)  
Pencil (Item 71, Appendix D)  
Lockwasher

PRELIMINARY PROCEDURE: Remove three battery ground straps (page 10-268)



Go on to Sheet 2

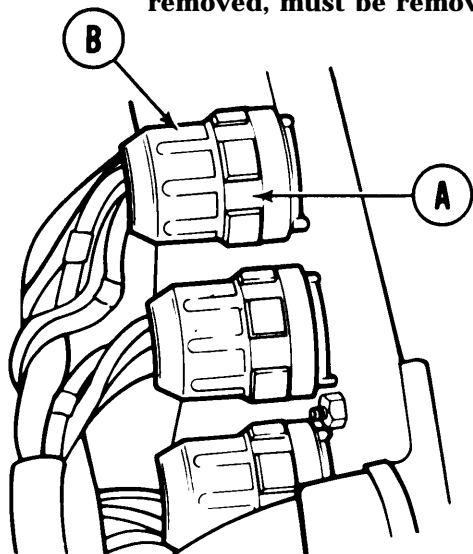
TA251058

**BASKET WIRING HARNESS DISCONNECT (Sheet 2 of 4)**

REMOVAL:

**NOTE**

The following instructions show how to remove the top wiring harness. If one of the lower wiring harnesses is to be removed, the connectors for the wiring harnesses above that wiring harness to be removed, must be removed first, using a spanner wrench.

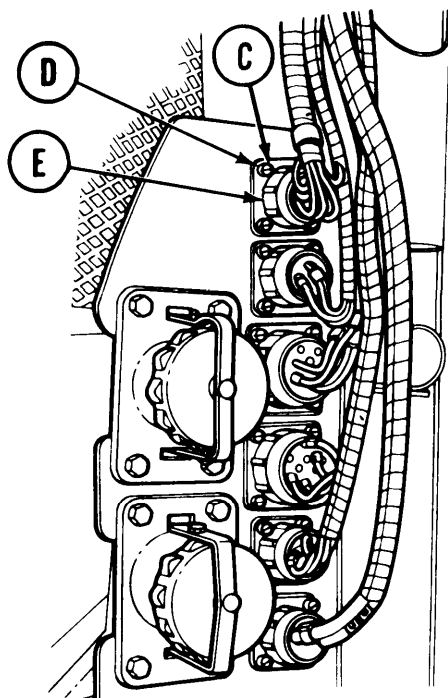


BACK SIDE OF  
BASKET DISCONNECT

**NOTE**

Tag all harnesses before removal.

1. Using spanner wrench, loosen nut (A) on connector (B) at back side of basket disconnect.
2. Remove connector (B).
3. Using flat-tip screwdriver, remove four screws (C) and lockwashers (D) securing connector (E) on front side of basket disconnect. Remove connector (E).
4. Remove connector (E) from basket disconnect.



FRONT SIDE OF  
BASKET DISCONNECT

Go on to Sheet 3

TA251059

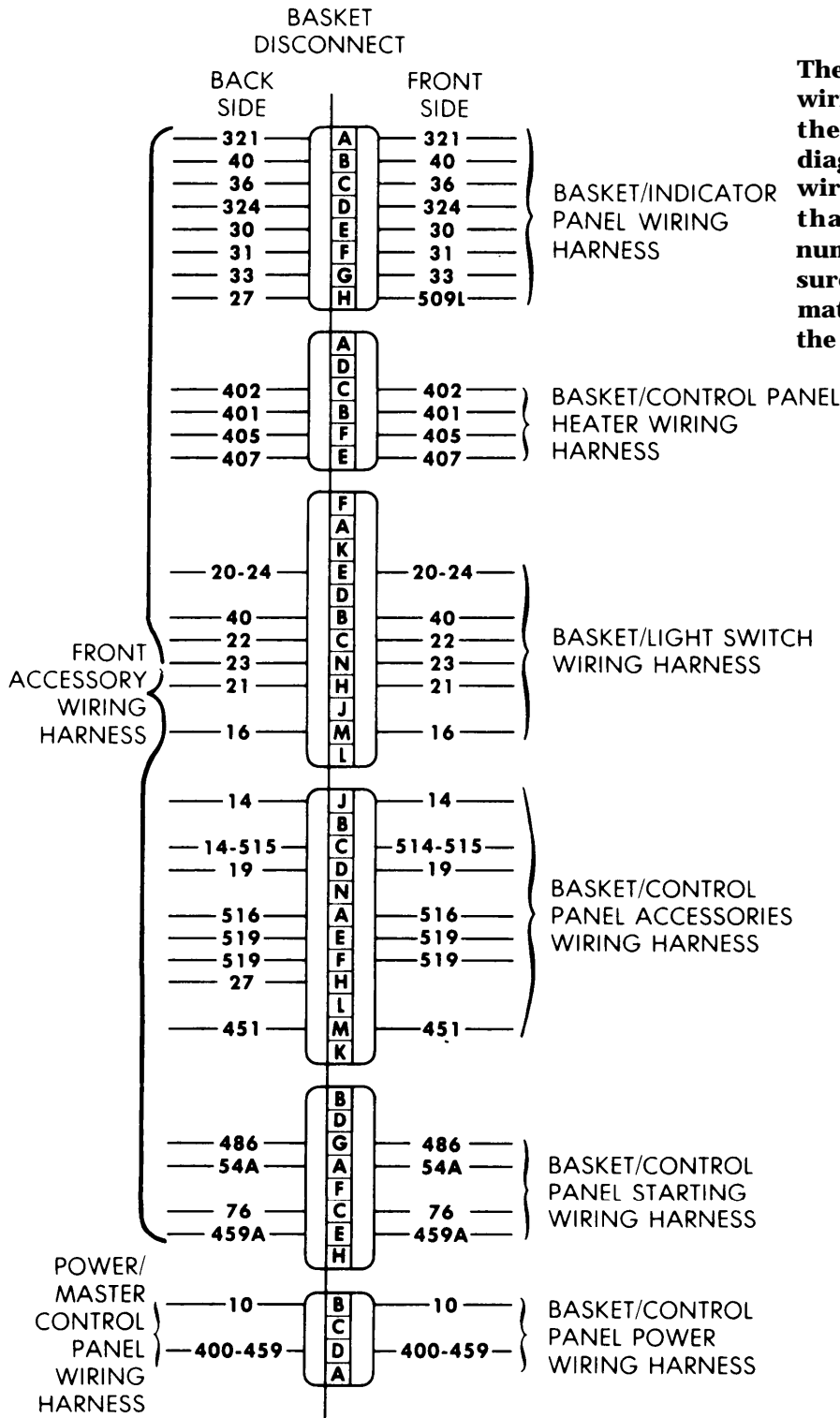


**BASKET WIRING HARNESS DISCONNECT (Sheet 3 of 4)**

INSTALLATION:

**NOTE**

The accompanying diagram shows wiring harness interconnections at the basket disconnect. The diagram will help you install the wiring harnesses correctly. Note that each lead has a circuit number marker attached to it. Be sure to mate each connector to its mating connector as identified by the marker.



Go on to Sheet 4

TA251060

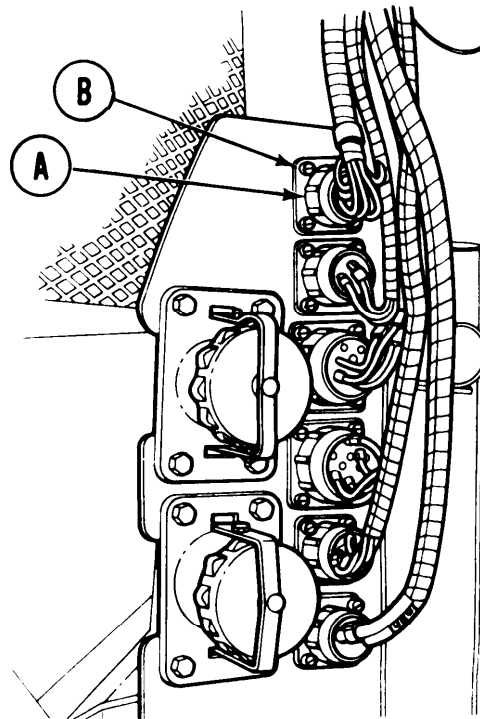
BASKET WIRING HARNESS DISCONNECT (Sheet 4 of 4)

NOTE

The following instructions show how to install the top wiring connectors on the basket disconnect. Installation is the same for all wiring harnesses.

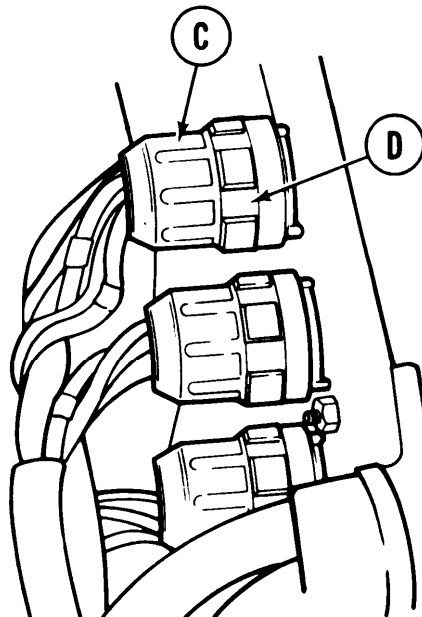
NOTE

Check wiring diagram on sheet 3 for correct mating of connectors.



FRONT SIDE OF BASKET DISCONNECT

1. Place connector (A) in proper position with connector key at top on front side of basket disconnect.
2. Using flat-tip screwdriver, install four screws and new lockwashers (B) securing connector (A) to basket disconnect.
3. Mate connector (C) onto connector (A) at back side of basket disconnect.
4. Using spanner wrench, tighten nut (D) securing connector (C) on back side of basket disconnect.
5. Install other connectors as required using the same procedure as steps 3 and 4.
6. Connect three ground straps at batteries (page 10-268).



BACK SIDE OF BASKET DISCONNECT

End of Task

TA251061

**POWER/MASTER CONTROL PANEL HARNESS REPLACEMENT (Sheet 1 of 8)**

PROCEDURE INDEX

PROCEDURE	PAGE
Removal	10-296.74
Installation	10.296.77

TOOLS: Spanner wrench  
 7/16 in. socket with 1/2 in. drive  
 Ratchet with 1/2 in. drive  
 15 in. adjustable wrench

SUPPLIES: Silicone compound (Item 32, Appendix D)                      Lockwashers (5 required)

REFERENCES: TM 5-5420-226-10

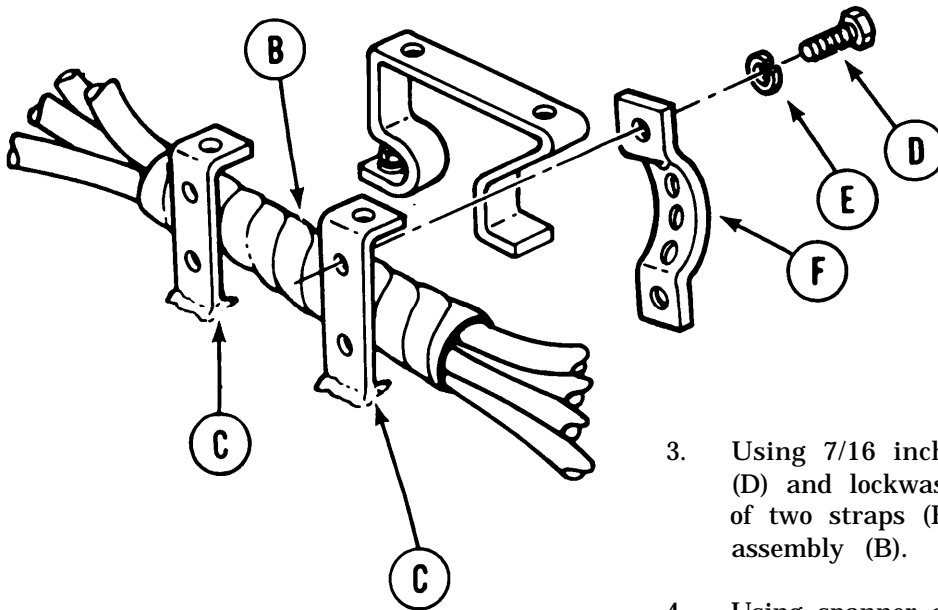
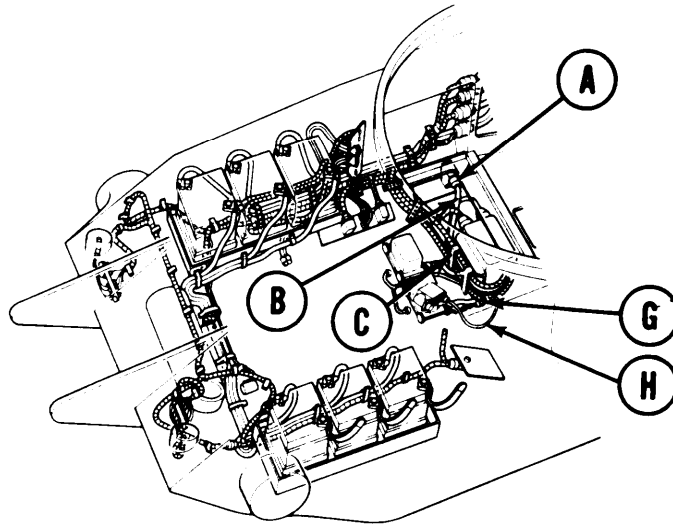
PRELIMINARY PROCEDURES: Remove three battery ground straps (page 10-268)  
 Raise commander's seat (TM 5-5420-226-10)  
 Remove commander's periscope stowage box  
 (TM 5-5420-228-24)  
 Remove subfloor access cover under commander's seat  
 (page 17-9)  
 Remove subfloor access cover under commander's periscope  
 stowage box (page 17-9)  
 Remove voltage regulator assembly (TM 5-5420-226-20)

Go on to Sheet 2

**POWER/MASTER CONTROL PANEL HARNESS REPLACEMENT (Sheet 2 of 8)**

**REMOVAL:**

1. Using spanner wrench, disconnect connector (A) at master relay.
2. Follow branch of harness assembly (B) back along voltage regulator mounting bracket (C).



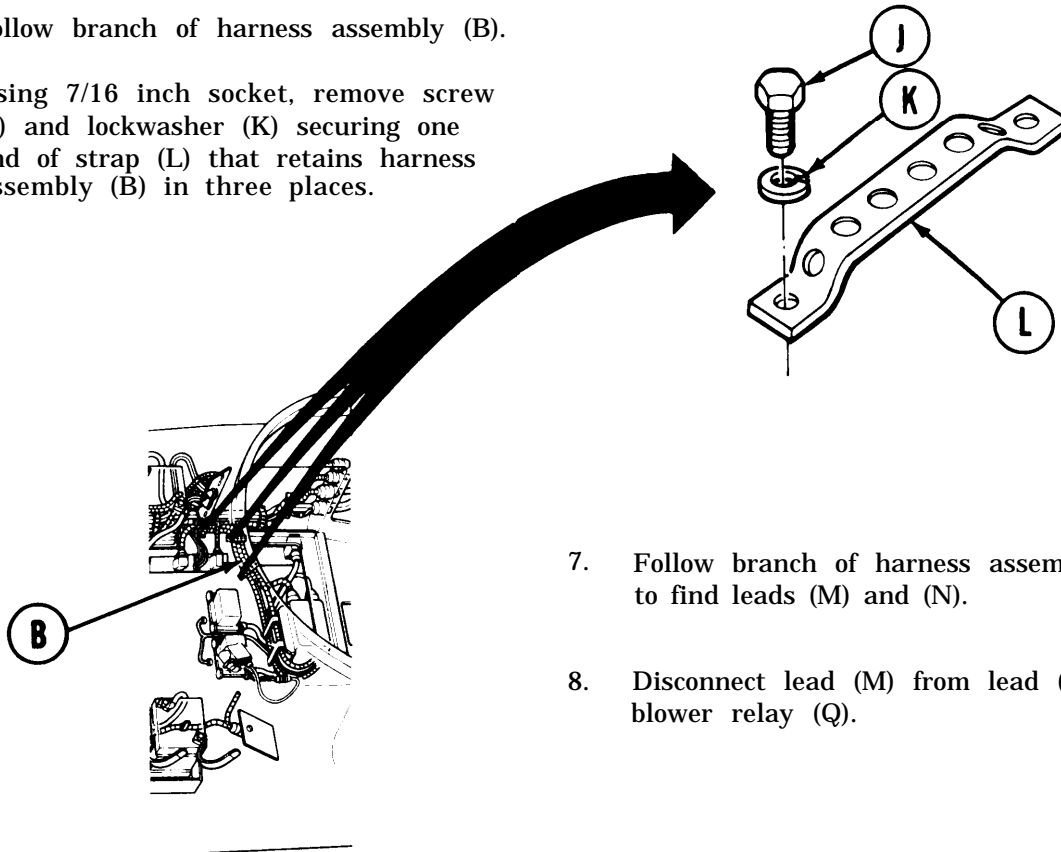
3. Using 7/16 inch socket, remove screws (D) and lockwashers (E) securing tops of two straps (F) that retain harness assembly (B).
4. Using spanner and adjustable wrenches, disconnect connector (G) from interconnecting box cable (H).

Go on to Sheet 3

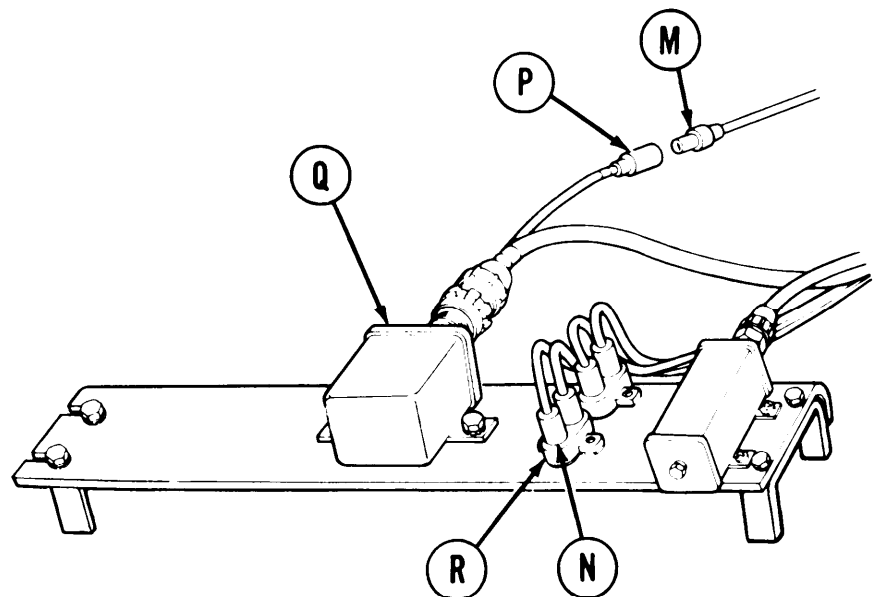
TA251063

**POWER/MASTER CONTROL PANEL HARNESS REPLACEMENT (Sheet 3 of 8)**

5. Follow branch of harness assembly (B).
6. Using 7/16 inch socket, remove screw (J) and lockwasher (K) securing one end of strap (L) that retains harness assembly (B) in three places.



7. Follow branch of harness assembly (B) to find leads (M) and (N).
8. Disconnect lead (M) from lead (P) at blower relay (Q).



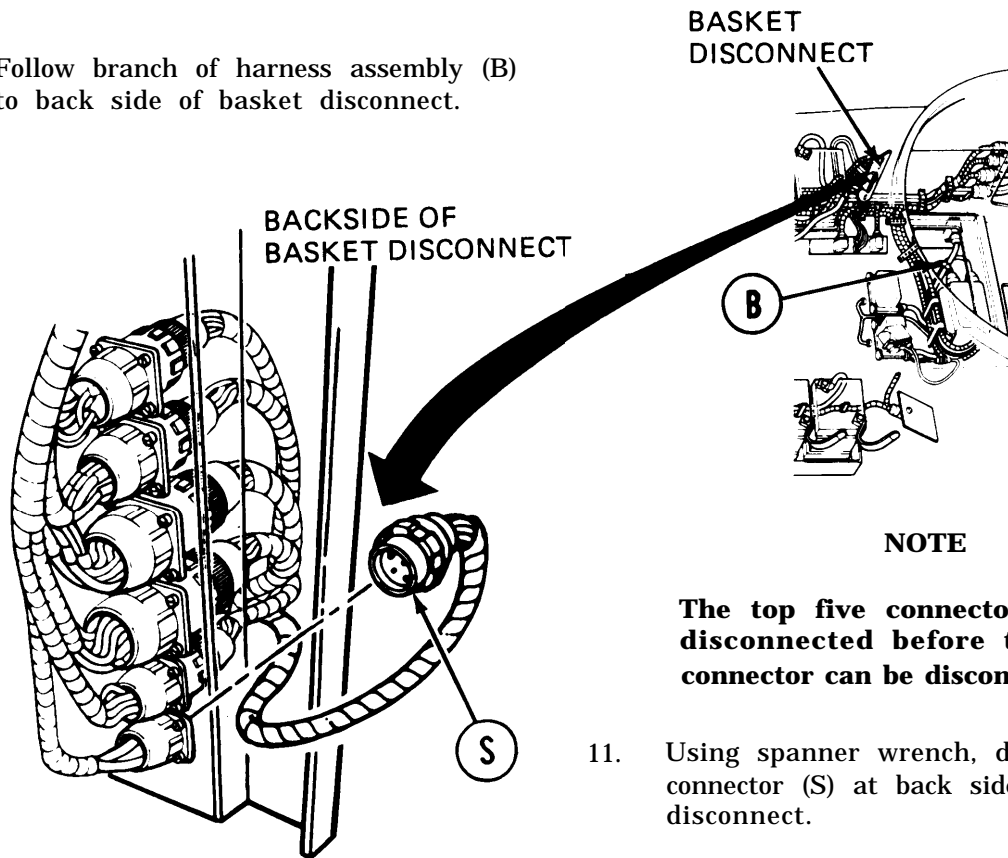
9. Disconnect lead (N) from heater feed circuit breaker (R).

Go on to Sheet 4

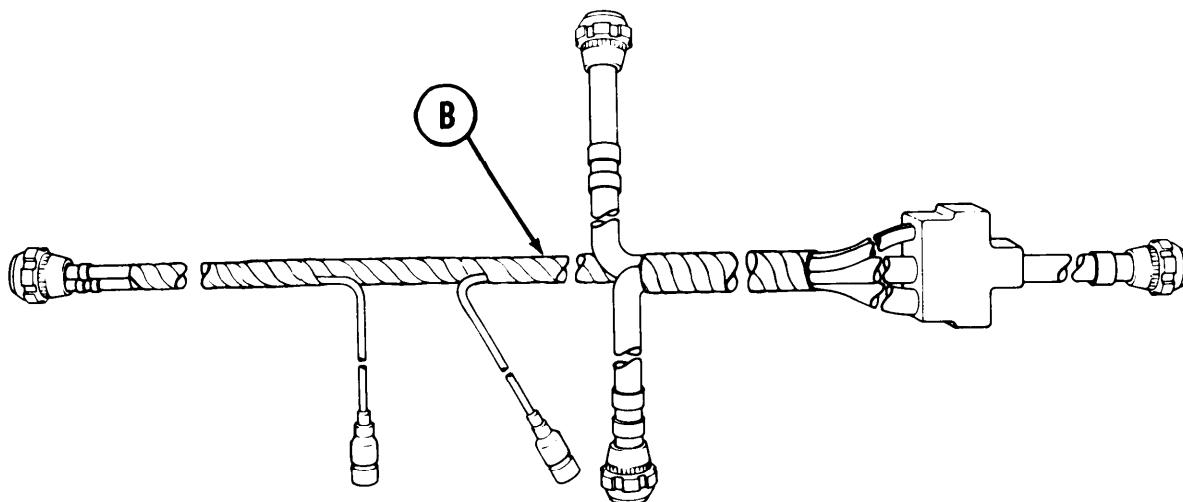
TA251064

**POWER/MASTER CONTROL PANEL HARNESS REPLACEMENT (Sheet 4 of 8)**

10. Follow branch of harness assembly (B) to back side of basket disconnect.



12. Remove wiring harness assembly (B) from vehicle.



Go on to Sheet 5

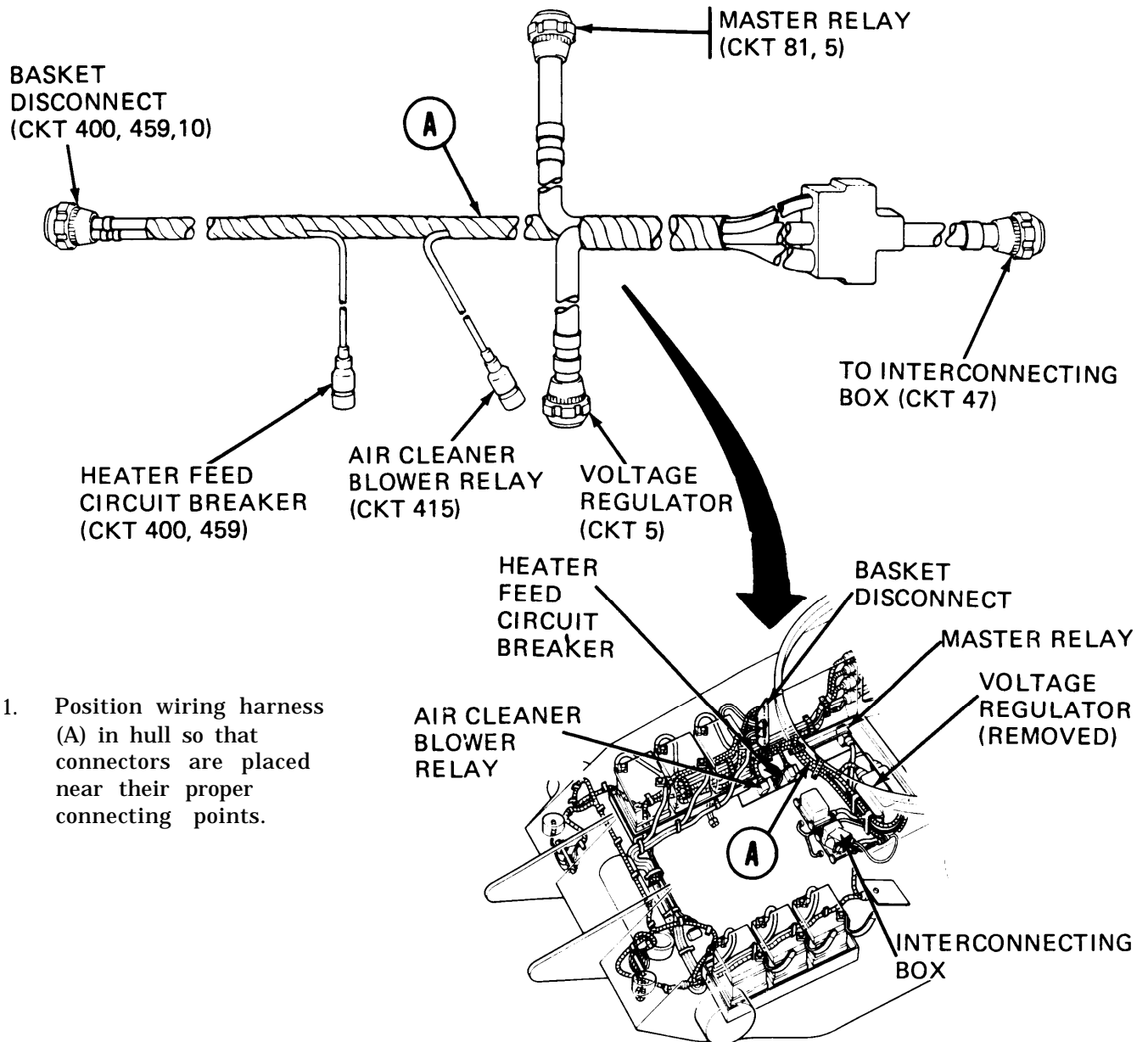
TA251065

**POWER/MASTER CONTROL PANEL HARNESS REPLACEMENT (Sheet 5 of 8)**

**INSTALLATION:**

**NOTE**

**All harness connectors have metal tags identifying the circuit(s) to which they belong.**



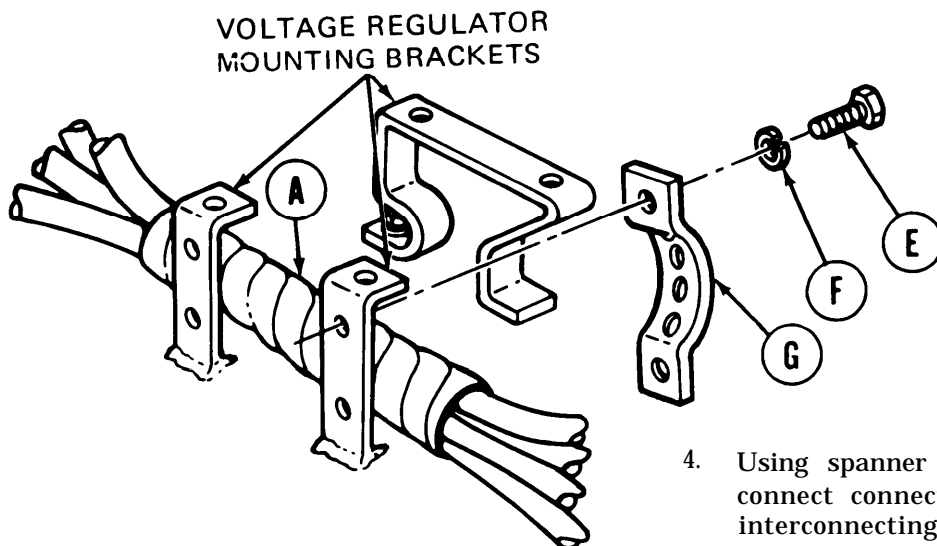
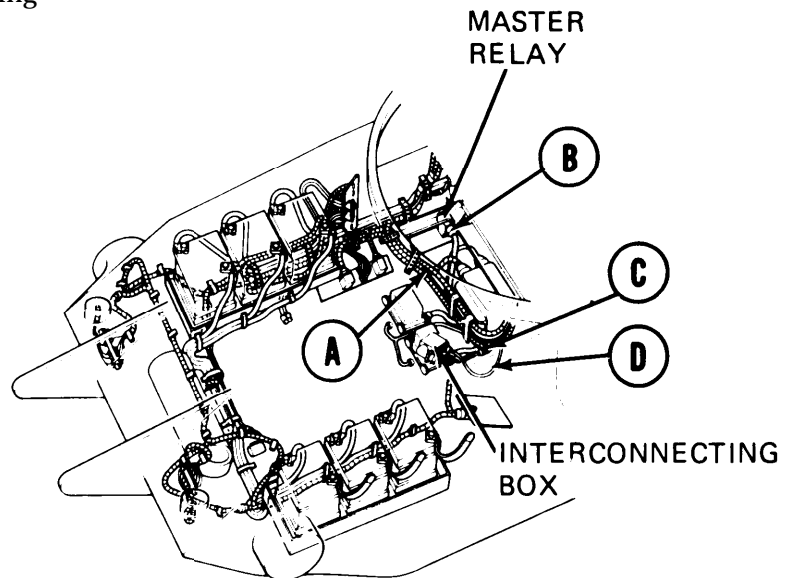
1. Position wiring harness (A) in hull so that connectors are placed near their proper connecting points.

Go on to Sheet 6

TA251066

**POWER/MASTER CONTROL PANEL HARNESS REPLACEMENT (Sheet 6 of 8)**

- Using spanner wrench, install connector (B) (CKT 81, 5) at master relay.
- Follow branch of harness assembly (A) back along voltage regulator mounting brackets.



- Using spanner and adjustable wrenches, connect connector (C) (CKT 47) to interconnecting box cable (D).
- Using 7/16 inch socket, install two screws (E) and new lockwashers (F) securing two straps (G) that retain harness assembly (A) to voltage regulator mounting bracket.

Go on to Sheet 7

TA251067



**POWER/MASTER CONTROL PANEL HARNESS REPLACEMENT (Sheet 7 of 8)**

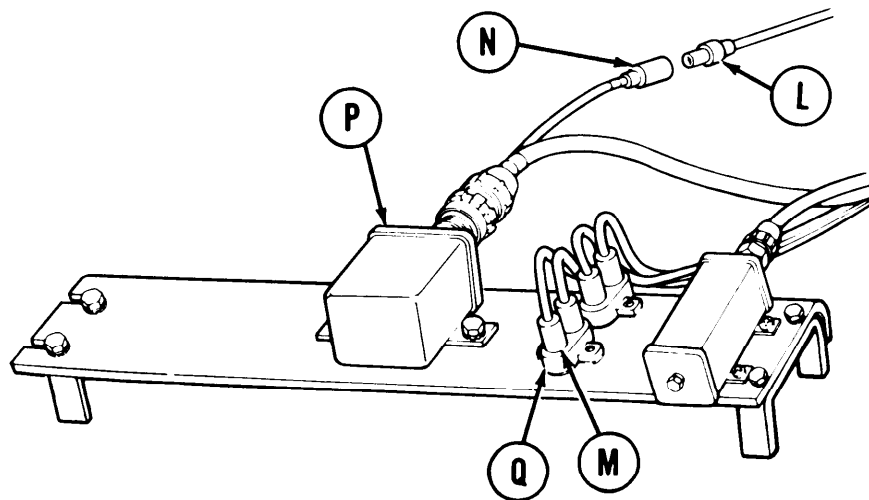
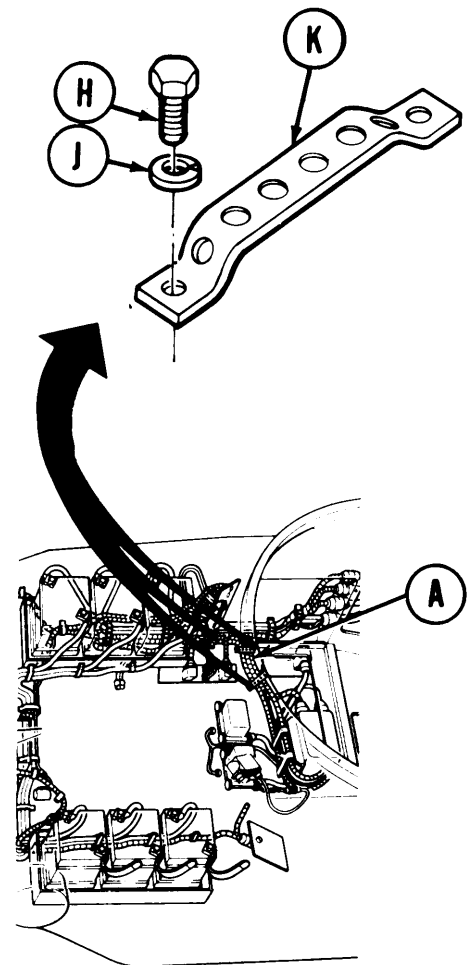
6. Follow branch of harness assembly (A).

7. Using 7/16 inch socket, install screw (H) and new lockwasher (J) securing strap (K) that retains harness assembly (A) in three places.

8. Follow branch of harness assembly (A) to find leads (L) and (M).

9. Connect lead (L) (CKT 415) to lead (N) at blower relay (P). Lubricate rubber-to-rubber contact surfaces with silicone compound.

10. Connect lead (M) (CKT 459) to heater feed circuit breaker (Q).

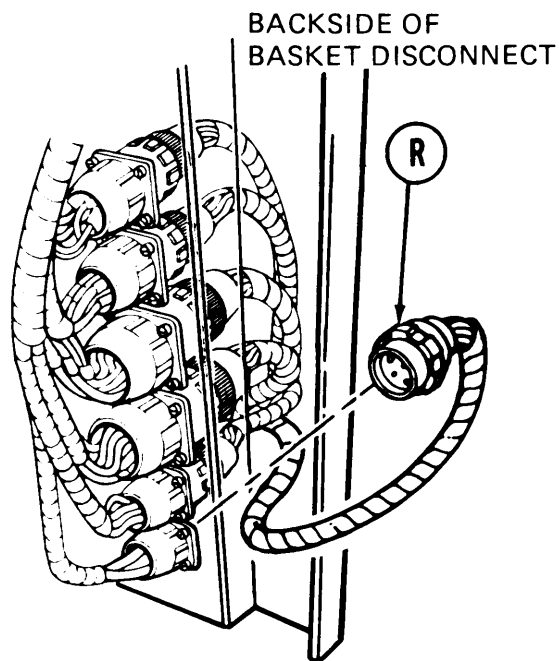
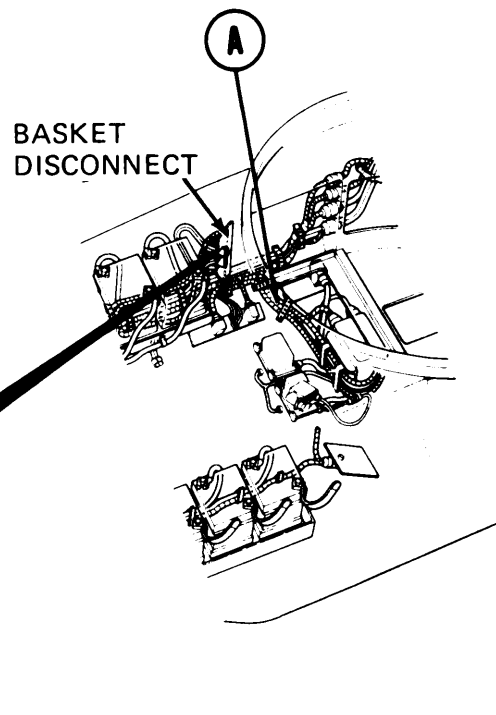


Go on to Sheet 8

TA251068

**POWER/MASTER CONTROL PANEL HARNESS REPLACEMENT (Sheet 8 of 8)**

11. Follow branch of harness assembly (A) to back side of basket disconnect.
12. Using spanner wrench, connect bottom connector (R) (CKT 400, 459, 10) at back side of basket disconnect.
13. Install voltage regulator assembly (TM 5-5420-226-20).
14. Install subfloor access cover under commander's periscope stowage box (TM 5-5420-226-20).



15. Install commander's periscope stowage box (TM 5-5420-228-24).
16. Install sub floor access cover under commander's seat (TM 5-5420-226-20).
17. Install three battery ground straps (TM 5-5420-226-20).

End of Task

TA251069

HEU MAIN POWER WIRING HARNESS DISCONNECT (Sheet 1 of 7)

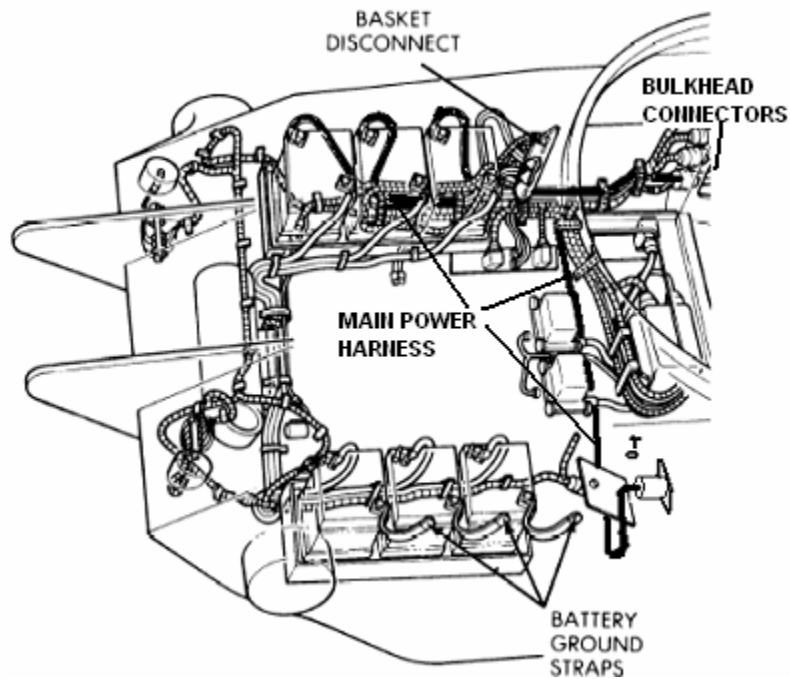
PROCEDURE INDEX

PROCEDURE	PAGE
Removal	10-296.82
Installation	10-296-85

TOOLS: Spanner wrench 9/16 inch wrench  
 Flat-tip screwdriver 1/2 inch wrench  
 Diagonal pliers Ratchet with 1/2 in. drive  
 1/2 in. socket with 1/2 in. drive 5 in. extension with 1/2 in. drive  
 7/16 in. combination box and open wrench 7/16 in. socket with 1/2 in. drive

SUPPLIES: Identification tags (Item 30, Appendix B) Pencil (Item 37, Appendix B)  
 Cable ties (as required) Lockwashers (as required)

PRELIMINARY PROCEDURE: Remove three battery ground straps (page 10-268)  
 Disconnect bulkhead connectors (page 10-269)  
 Right side battery cover removed (page 10-253)

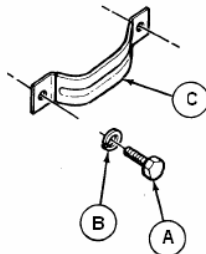


Go on to Sheet 2

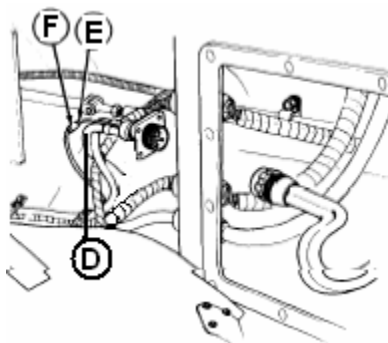
HEU MAIN POWER WIRING HARNESS DISCONNECT (Sheet 2 of 7)

REMOVAL

1. Using 7/16 inch socket and ratchet remove 10 screws (A) 10 washers (B) and 5 clamps (C) securing main power wiring harness (D) along right side of hull.



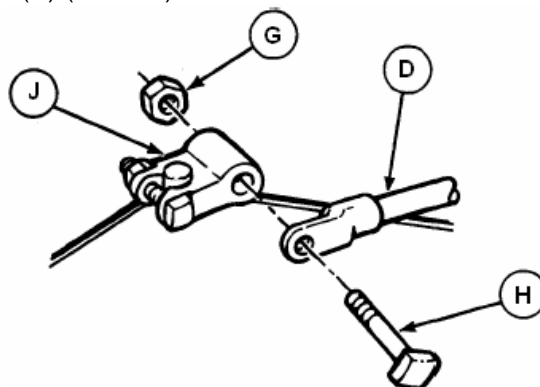
2. Disconnect main power wiring harness lead (E) (CKT 920A) going to smoke generator wiring harness (F).



**WARNING**

**DO NOT LET WRENCH HANDLE TOUCH HULL METAL WHILE REMOVING BATTERY TERMINAL. ARCING COULD OCCUR AND PERSONNEL COULD BE BURNED**

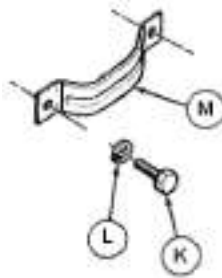
3. Using a 9/16 inch wrench remove 3 nuts (G) and screws (H) from positive battery terminals (J) and main power wiring harness (D) (CKT 81).



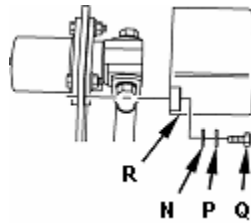
**Go on to Sheet 3**

**MAIN POWER WIRING HARNESS DISCONNECT (Sheet 3 of 7)**

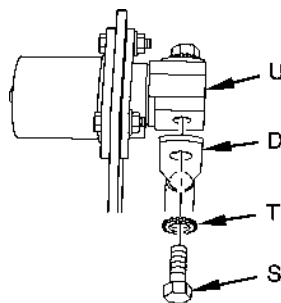
- Using 7/16 inch socket and ratchet remove 4 screws (K) washers (L) and 4 clamps securing harness from right side of vehicle to vehicle slave receptacle.



- Using 7/16 inch socket and ratchet, and 7/16 inch wrench remove 2 screws (N) washers (P) and nuts (Q) from slave receptacle cover (R).



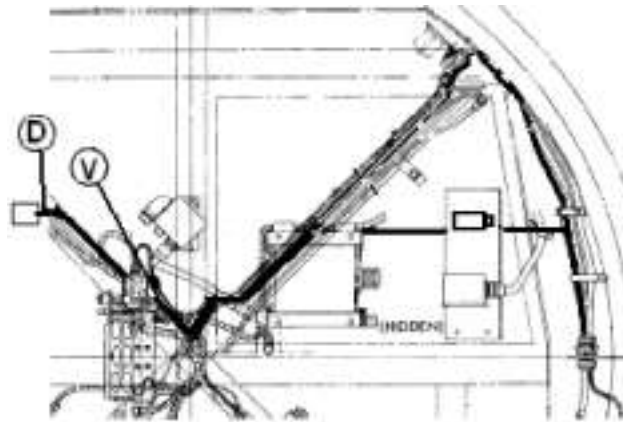
- Remove slave receptacle cover (R).
- Using 9/16 inch wrench remove screw (S) and lockwasher (T) from slave receptacle (U) and main power wiring harness (D) (CKT 49).



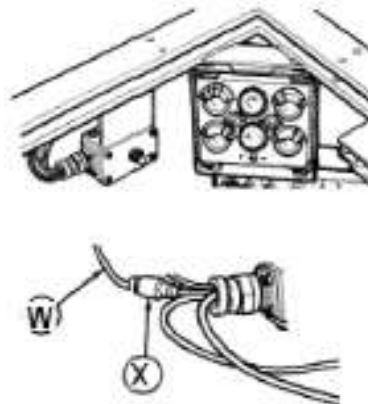
Go to next page

**MAIN POWER WIRING HARNESS DISCONNECT (Sheet 4 of 7)**

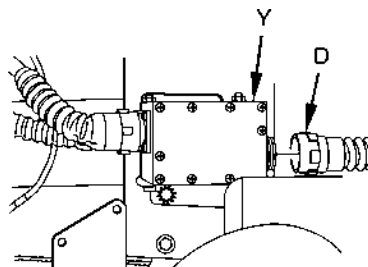
8. Using diagonal pliers, cut all cable ties securing main power wiring harness (D) to upright support (V).



9. Disconnect main power wiring harness lead (W) (CKT 509B) going to dust detector wiring harness (X).



10. Using spanner wrench disconnect main power wiring harness (D) (CKT 81) from master power relay (Y) and remove main power wiring harness from vehicle.

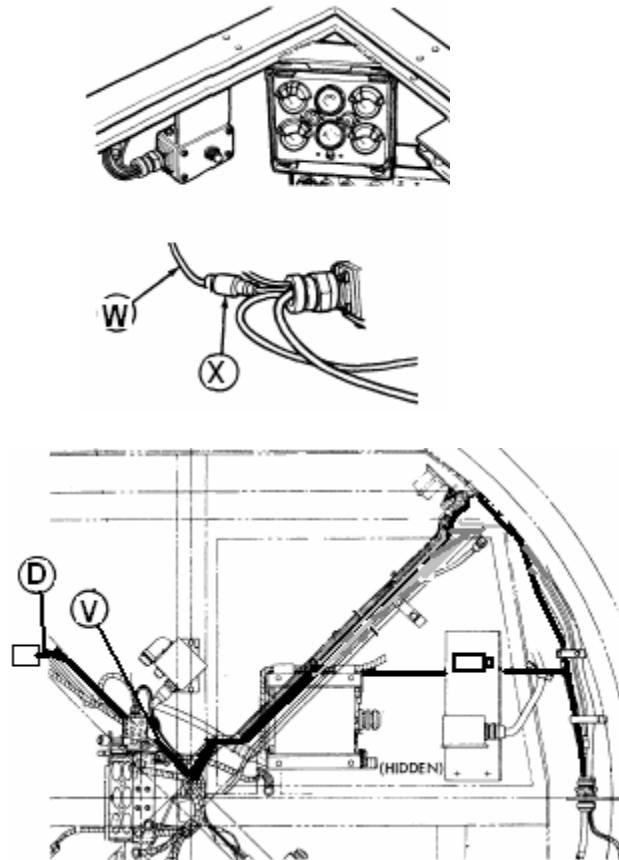


Go to next page

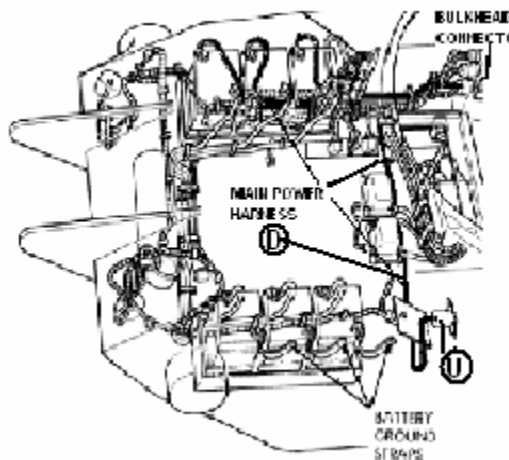
HEU MAIN POWER WIRING HARNESS DISCONNECT (Sheet 5 of 7)

INSTALLATION:

1. Place main power wiring harness (D) into vehicle.
2. Route main power wiring harness from right side of vehicle along voltage regulator to upright support (V) and connect main power wiring harness lead (W) (CKT 509B) to dust detector wiring harness (X).

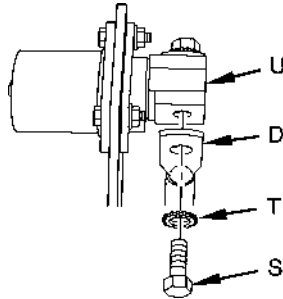


3. Route main power wiring harness (D) (CKT 49) from right side of vehicle to slave receptacle (U) located in front of driver.

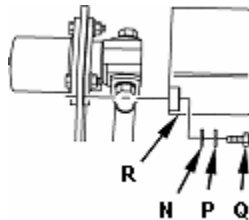


**MAIN POWER WIRING HARNESS DISCONNECT (Sheet 6 of 7)**

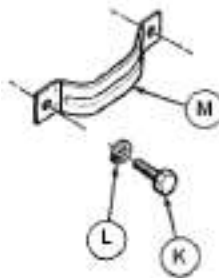
- Using 9/16 inch wrench install screw (S) lockwasher (T) and main power wiring harness (D) (CKT 49) onto slave receptacle (U).



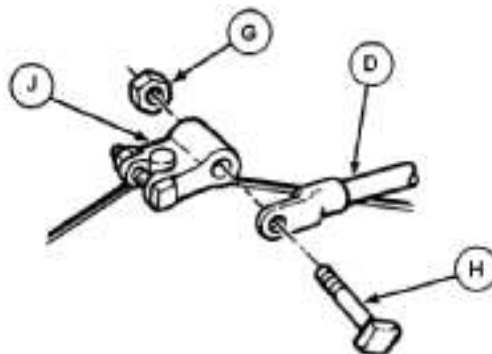
- Using 7/16 inch socket and ratchet, and 7/16 inch wrench install slave receptacle cover (R) 2 screws (N) washers (P) and nuts (Q) onto slave receptacle (U).



- Using 7/16 inch socket and ratchet install 4 screws (K) washers (L) and 4 clamps securing harness from right side of vehicle to vehicle slave receptacle.



- Using a 9/16 inch wrench install 3 nuts (G) and screws (H) thru positive battery terminals (J) and main power wiring harness (D) (CKT 81).

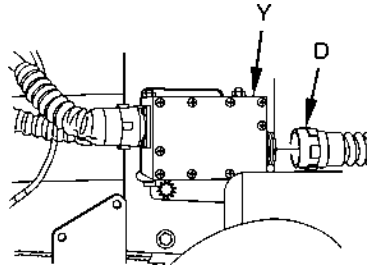


Go to next page

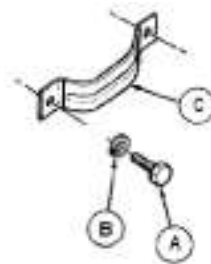


**MAIN POWER WIRING HARNESS DISCONNECT (Sheet 7 of 7)**

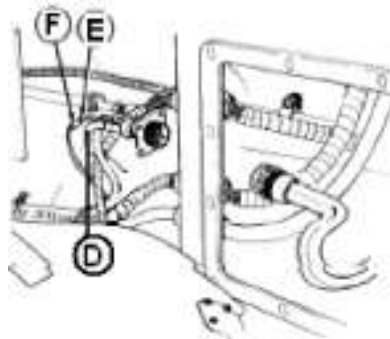
8. Using spanner wrench connect main power wiring harness (D) (CKT 81) to master power relay (Y).



9. Using 7/16 inch socket and ratchet remove 10 screws (A) 10 washers (B) and 5 clamps (C) securing main power wiring harness (D) along right side of hull.



10. Connect main power wiring harness lead (E) (CKT 920A) going to smoke generator wiring harness (F).



11. Connect bulkhead connectors (page 10-269).
12. Install Right side battery cover (page 10-253).
13. Connect three battery ground straps (page 10-268).

End of Task

**FRONT ACCESSORY HARNESS REPLACEMENT (Sheet 1 of 14)**

PROCEDURE INDEX

PROCEDURE	PAGE
Removal	10-296.88
Installation	10-296.95

TOOLS: Spanner wrench  
 7/16 in. socket with 1/2 in. drive  
 Ratchet with 1/2 in. drive  
 1-1/8 in. open end wrench  
 7/8 in. open end wrench  
 5/8 in. open end wrench

7/16 in. combination box and open end wrench  
 12 in. adjustable wrench  
 9/16 in. socket with 1/2 in. drive

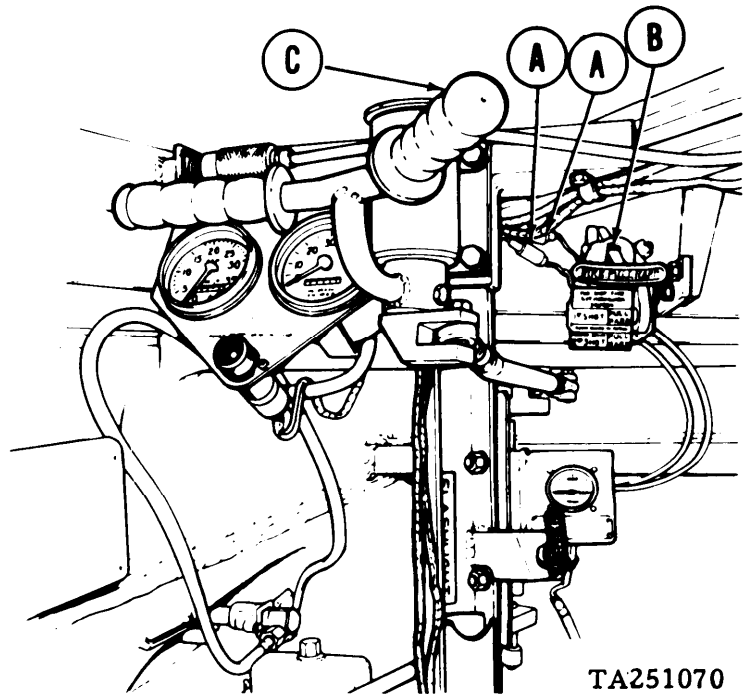
SUPPLIES: Silicone compound (Item 10, Appendix B) Lockwashers (7 required)

REFERENCES: TM 5-5420-226-10  
 TM 5-5420-226-20

PRELIMINARY PROCEDURES: Disconnect ground straps at batteries (TM 5-5420-226-20)  
 Remove access cover under commander's seat (TM 5-5420-226-20)  
 Remove commander's periscope stowage box (TM 5-5420-226-20)  
 Remove access cover under commander's periscope stowage box (TM 5-5420-226-20)

REMOVAL:

1. Disconnect two electrical connectors (A) from fixed fire extinguisher release handle (B) located to right and forward of driver's steering control handles (C).

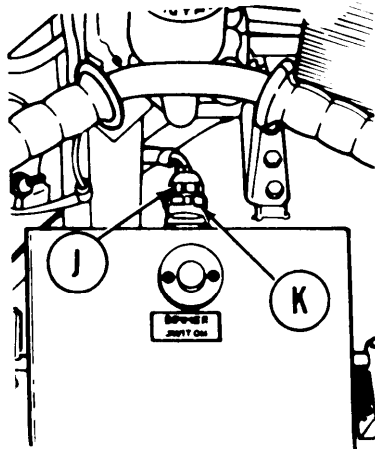
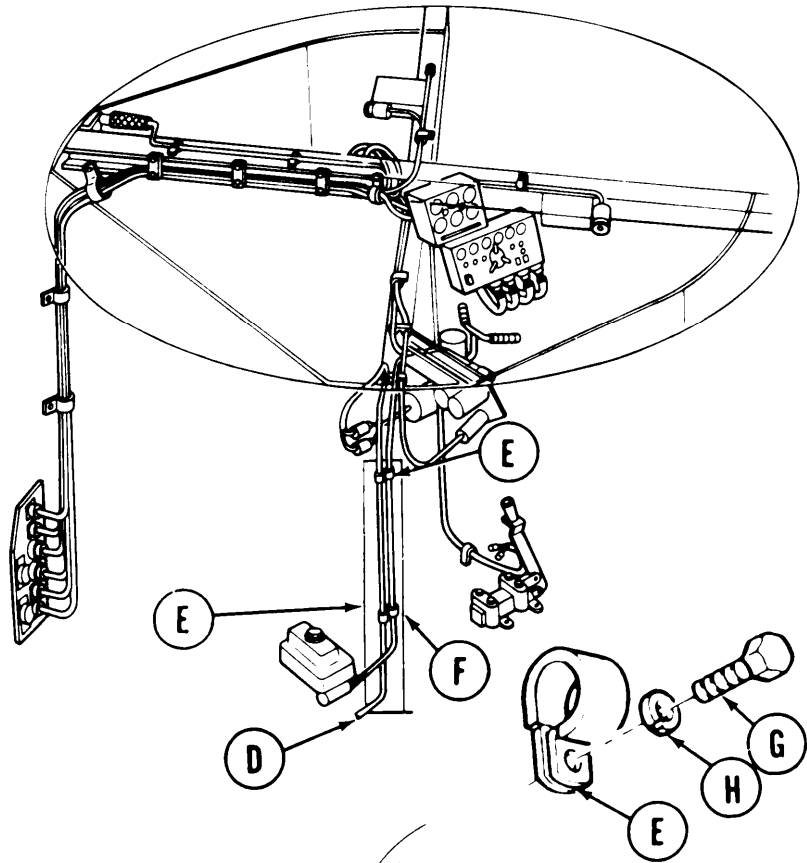


Go onto Sheet 2

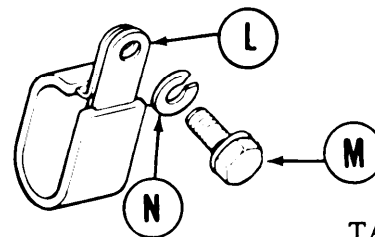
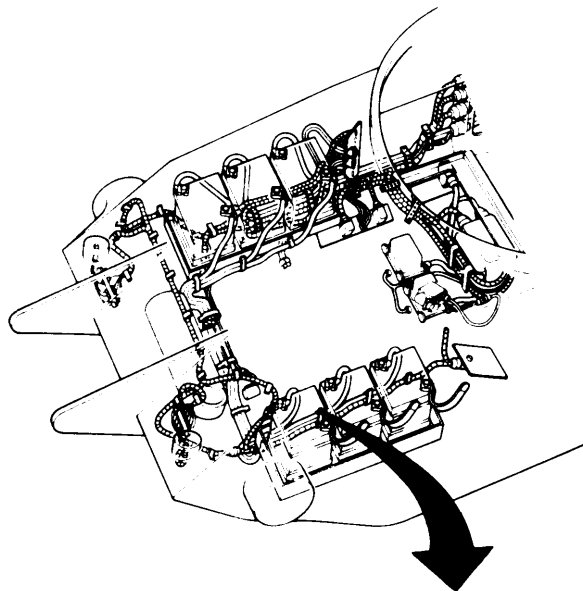
TA251070

**FRONT ACCESSORY HARNESS REPLACEMENT (Sheet 2 of 14)**

2. Follow wire harness (D) to two cushion clamps (E) securing harness to vertical post (F) located to left and forward of driver's seat.
3. Using 7/16 inch socket, remove screws (G), lockwashers (H) and clamps (E).
4. Using spanner wrench, loosen spanner nut (J) at dimmer switch connector (K). Disconnect connector (K).



5. Follow harness assembly (D) to left front of vehicle to three clamps (L), located along bottom of battery holding bracket.
6. Using 7/16 inch socket, remove screws (M), lockwashers (N), and clamps (L).

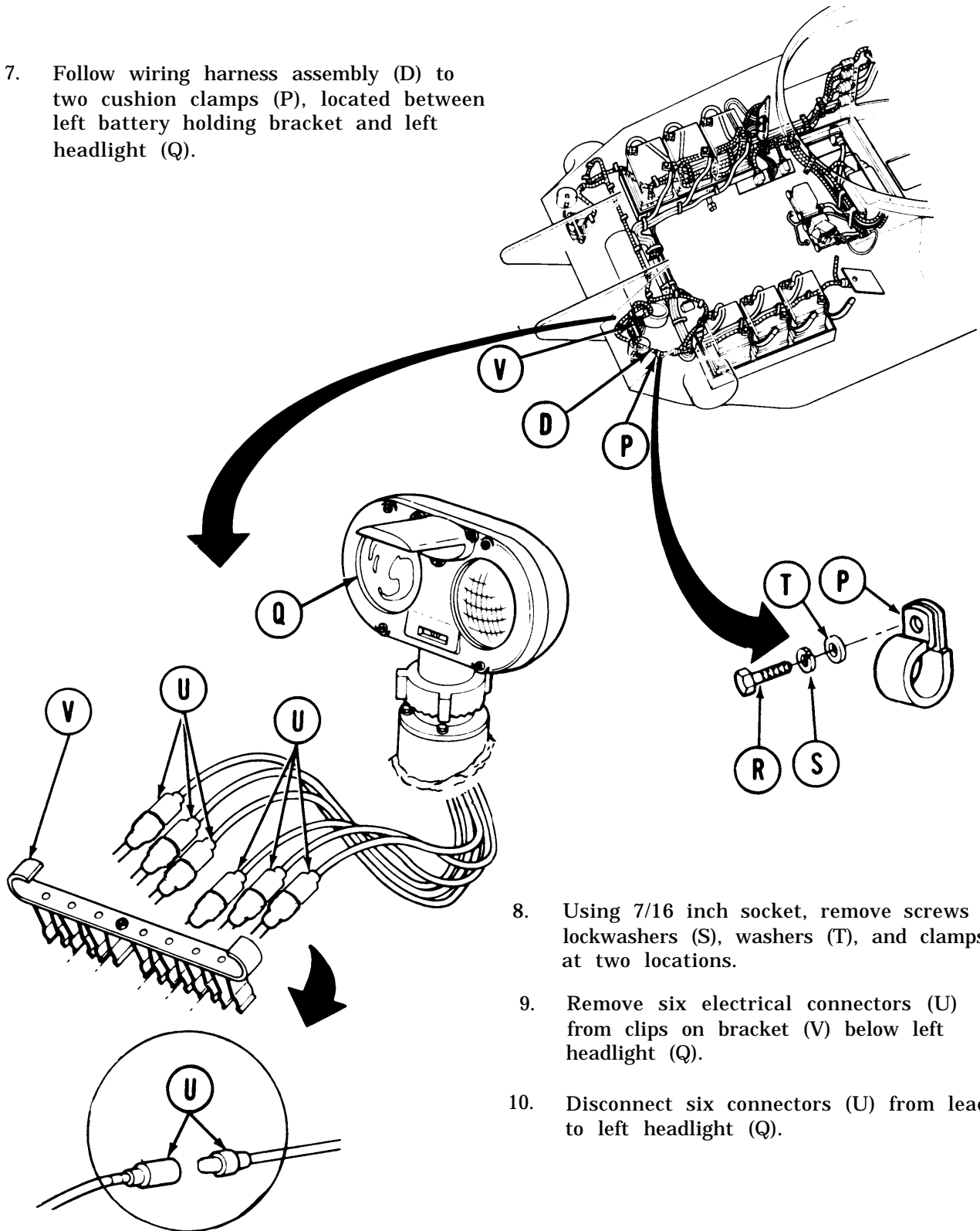


Go on to Sheet 3

TA251071

FRONT ACCESSORY HARNESS REPLACEMENT (Sheet 3 of 14)

7. Follow wiring harness assembly (D) to two cushion clamps (P), located between left battery holding bracket and left headlight (Q).



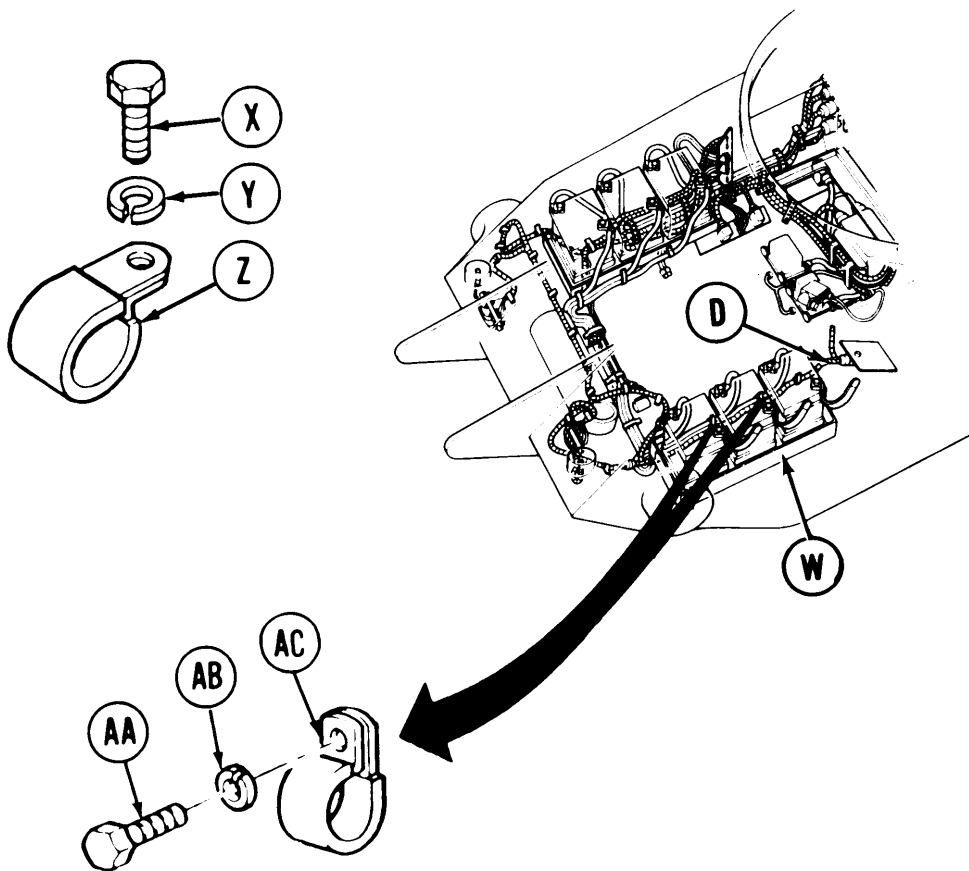
8. Using 7/16 inch socket, remove screws (R), lockwashers (S), washers (T), and clamps (P) at two locations.
9. Remove six electrical connectors (U) from clips on bracket (V) below left headlight (Q).
10. Disconnect six connectors (U) from leads to left headlight (Q).

Go on to Sheet 4

TA251072

**FRONT ACCESSORY HARNESS REPLACEMENT (Sheet 4 of 14)**

11. Follow wiring harness assembly (D) along edge of battery box (W).
12. Using 7/16 inch socket, remove two screws (X), lockwashers (Y), and cushion clamps (Z).
13. Using 9/16 inch socket, remove two screws (AA), lockwashers (AB), and cushion clamps (AC).
14. Follow wiring harness assembly (D) to left side of vehicle.



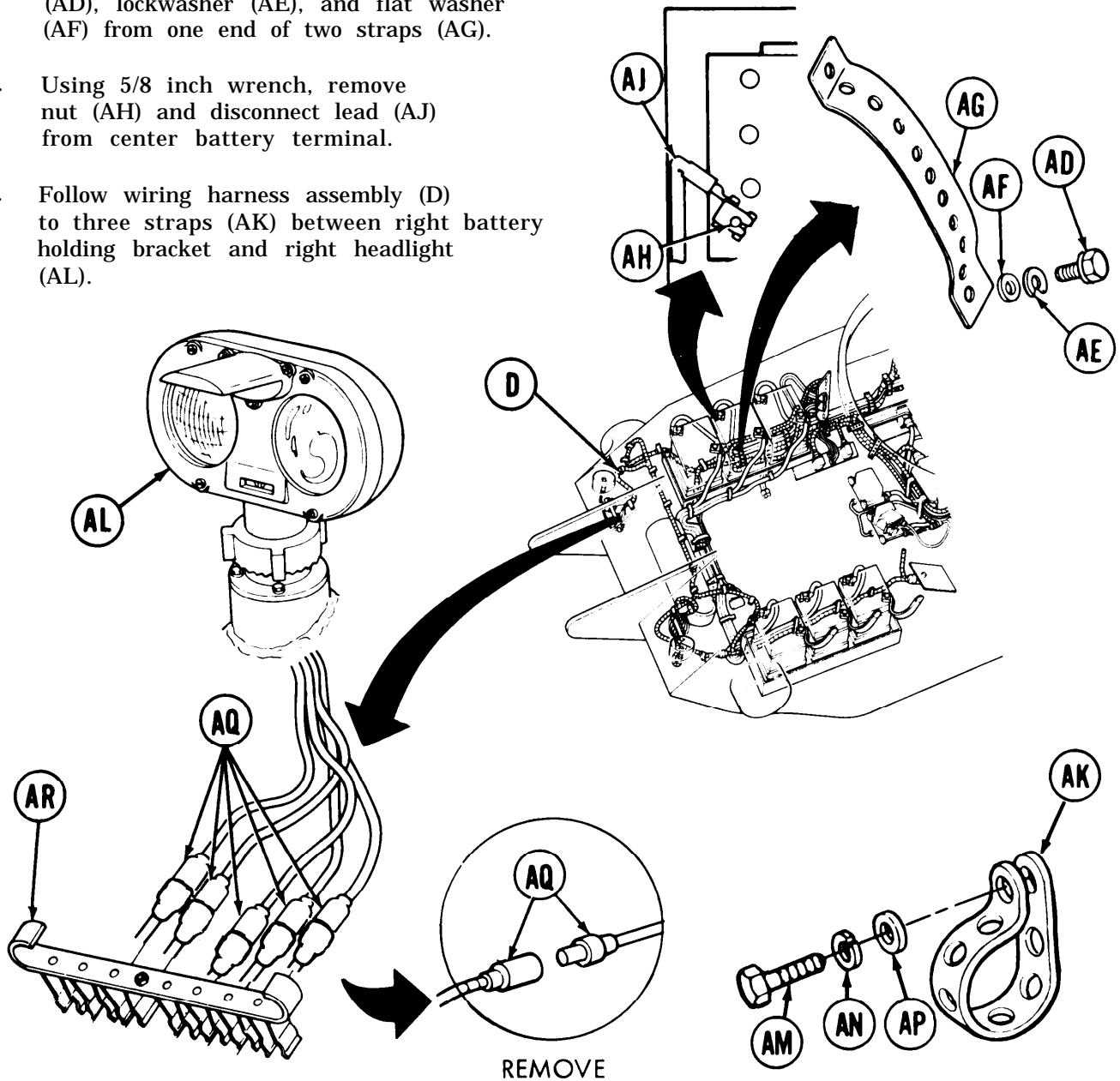
Go on to Sheet 5

TA251073

Change 6 10-296.91

FRONT ACCESSORY HARNESS REPLACEMENT (Sheet 5 of 14)

15. Using 7/16 inch socket, remove screw (AD), lockwasher (AE), and flat washer (AF) from one end of two straps (AG).
16. Using 5/8 inch wrench, remove nut (AH) and disconnect lead (AJ) from center battery terminal.
17. Follow wiring harness assembly (D) to three straps (AK) between right battery holding bracket and right headlight (AL).



18. Using 7/16 inch socket, remove three screws (AM), lockwashers (AN), flat washers (AP), and straps (AK).
19. Remove five connectors (AQ) from clips on bracket (AR) below right headlight (AL).
20. Disconnect five connectors (AQ) from leads to right headlight (AL).
21. Disconnect one connector (AQ) from dummy load.

Go on to Sheet 6

TA251074

**FRONT ACCESSORY HARNESS REPLACEMENT (Sheet 6 of 14)**

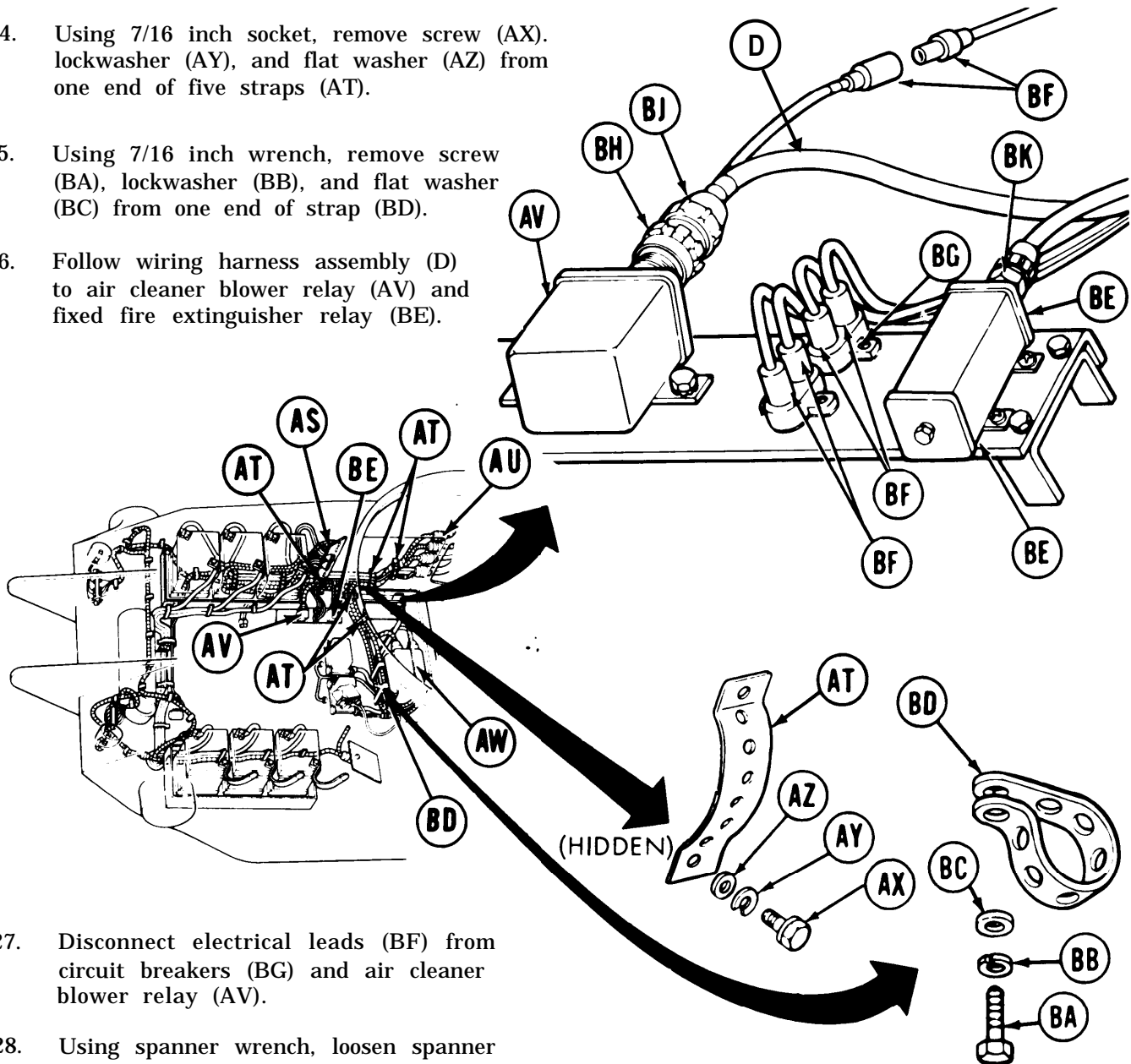
22. Using spanner wrench, remove top five connectors (AS) at basket disconnect.

23. Follow wiring harness assembly (D) to straps (AT) located between bulkhead connector (AU) and air cleaner blower relay (AV) and voltage regulator (AW).

24. Using 7/16 inch socket, remove screw (AX), lockwasher (AY), and flat washer (AZ) from one end of five straps (AT).

25. Using 7/16 inch wrench, remove screw (BA), lockwasher (BB), and flat washer (BC) from one end of strap (BD).

26. Follow wiring harness assembly (D) to air cleaner blower relay (AV) and fixed fire extinguisher relay (BE).



27. Disconnect electrical leads (BF) from circuit breakers (BG) and air cleaner blower relay (AV).

28. Using spanner wrench, loosen spanner nut (BH) and disconnect connector (BJ).

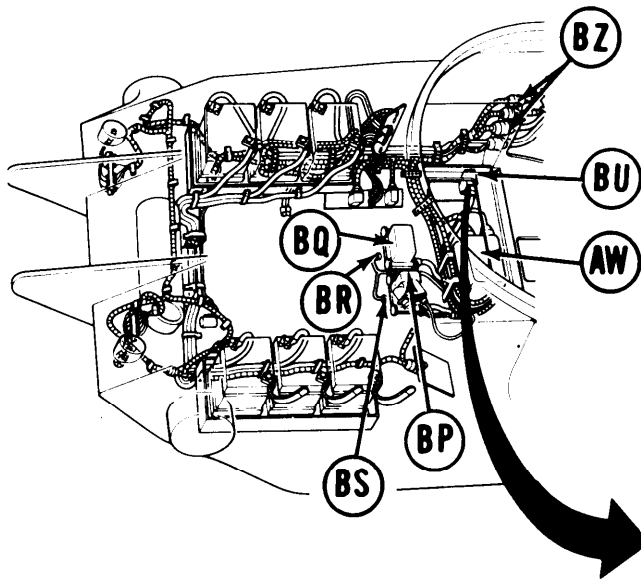
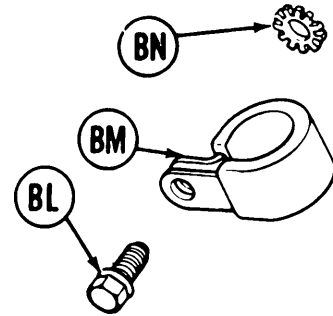
29. Using 1-1/8 inch wrench, loosen connector (BK) and disconnect from fixed fire extinguisher relay (BE).

Go on to Sheet 7

TA251075

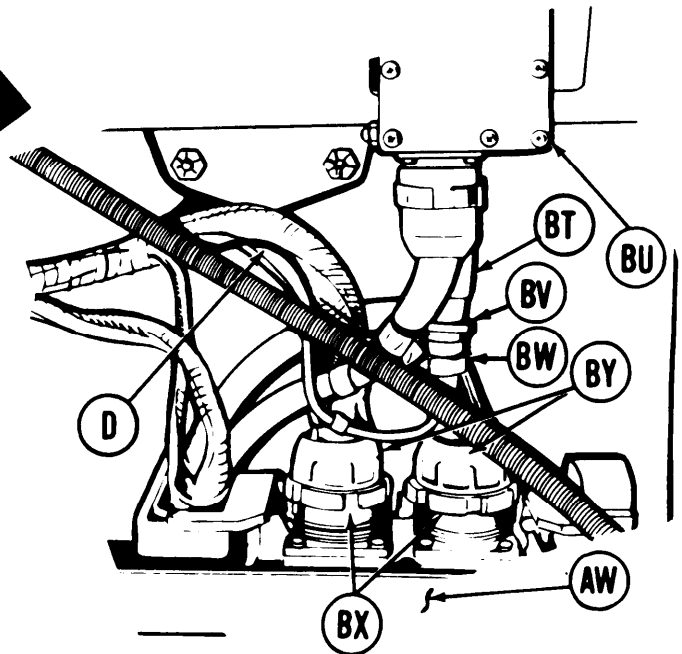
**FRONT ACCESSORY HARNESS REPLACEMENT (Sheet 7 of 14)**

30. Using 7/16 inch socket, remove screw (BL), clamp (BM), and lockwasher (BN) from between IR power packs (BP) and (BQ).
31. Using 7/8 inch wrench, loosen and disconnect connectors (BR) and (BS) from IR powerpacks (BP) and (BQ).



32. Follow wiring harness assembly (D) to reverse polarity protection device (BT) which is attached to master power relay (BU) adjacent to voltage regulator (AW).

33. Using adjustable wrench, hold flange (BV) of reverse polarity device while using 7/8 inch wrench to disconnect connector (BW) from reverse polarity protection device (BT).
34. Using spanner wrench, loosen spanner nuts (BX) and disconnect connectors (BY) from voltage regulator (AW).
35. Disconnect two bulkhead connectors (BZ) (page 5-2). Remove wiring harness assembly (D) from vehicle.



Go on to Sheet 8

TA251076



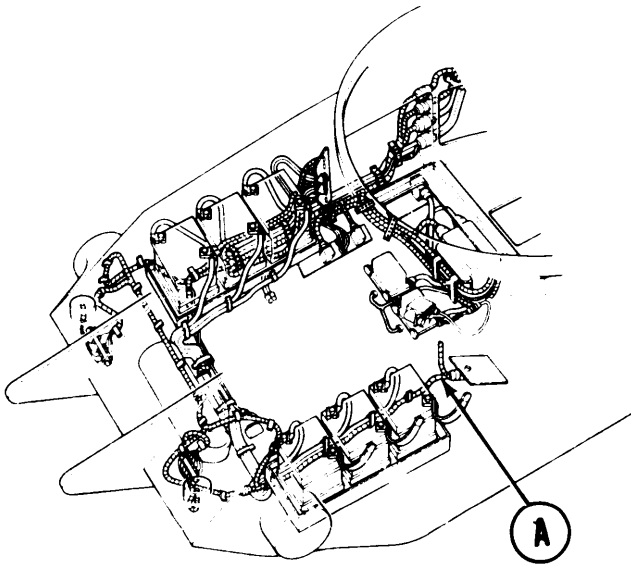
## FRONT ACCESSORY HARNESS REPLACEMENT (Sheet 8 of 14)

## INSTALLATION:

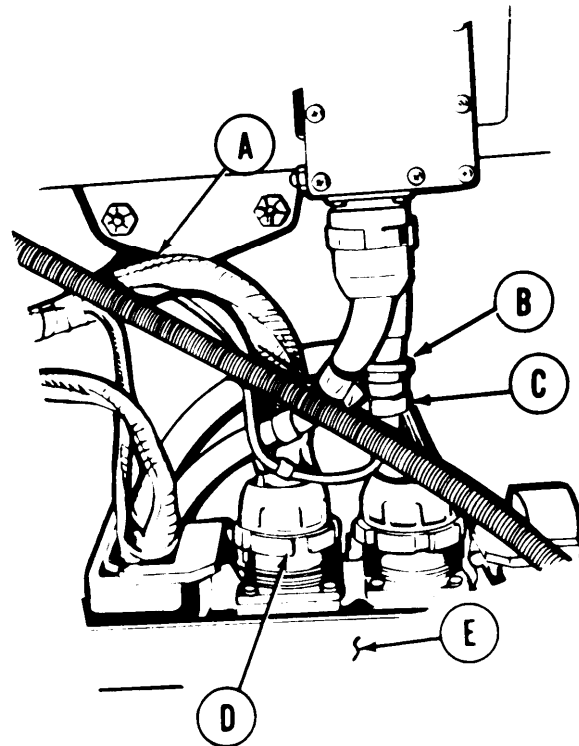
## NOTE

- Lubricate rubber-to-rubber contact surfaces at assembly of waterproof connectors with silicone compound (Item 10, Appendix B).
- Note that each lead has a circuit number marker attached to it. Mate each connector to its mating connector, identified by the marker.

1. Position wiring harness (A) in vehicle.



2. Using adjustable wrench to hold flange (B) of reverse polarity protection device and 7/8 inch wrench on connector (C), connect connector (C) (CKT 459A) to reverse polarity protection device on master relay.



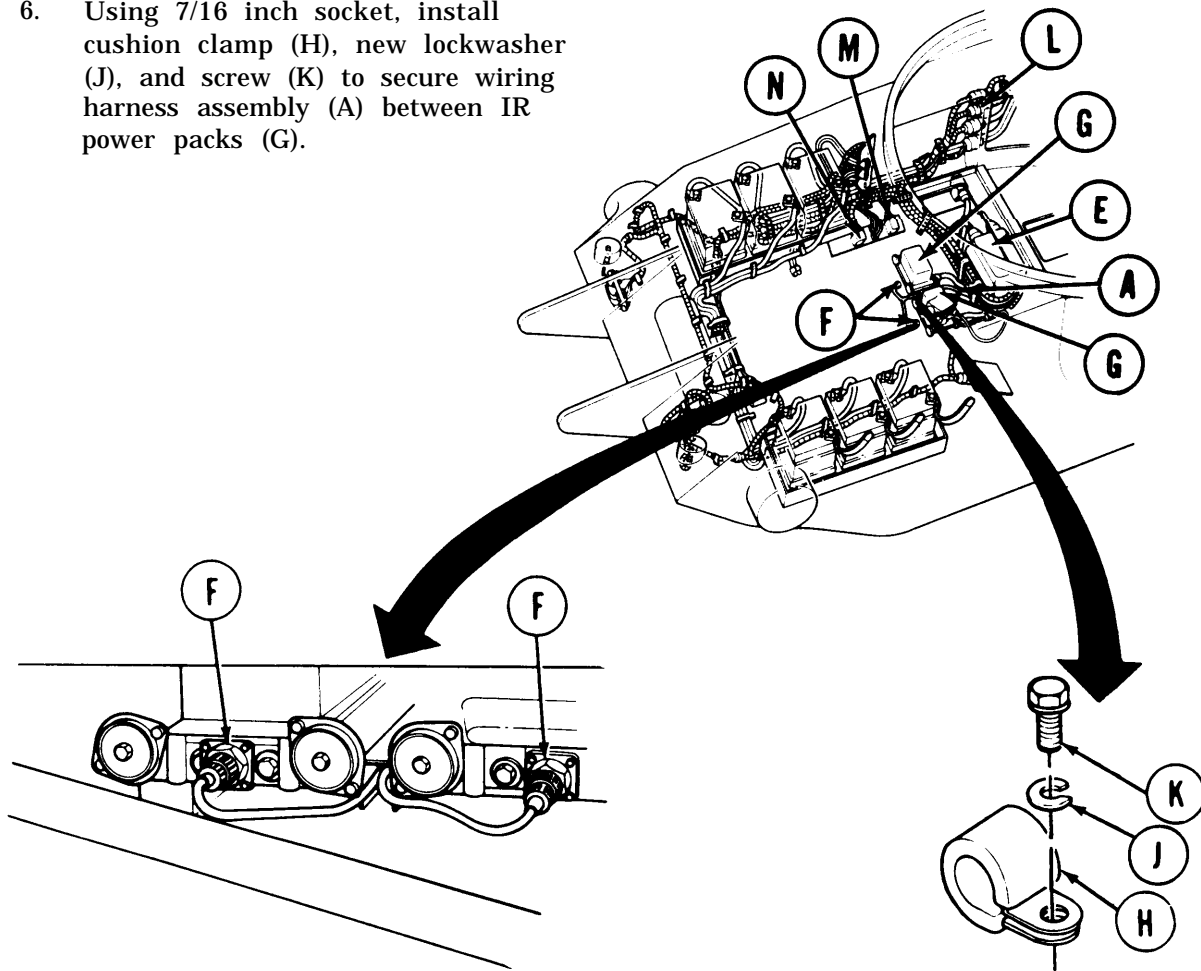
3. Connect connector (D) (CKT 415A, 478 and 2) to voltage regulator (E). Using spanner wrench, tighten connector (D).

Go on to Sheet 9

TA251077

**FRONT ACCESSORY HARNESS REPLACEMENT (Sheet 9 of 14)**

4. Connect connectors (F) (CKT 516) to IR power packs (G).
5. Using 7/8 inch wrench, tighten connectors (F).
6. Using 7/16 inch socket, install cushion clamp (H), new lockwasher (J), and screw (K) to secure wiring harness assembly (A) between IR power packs (G).



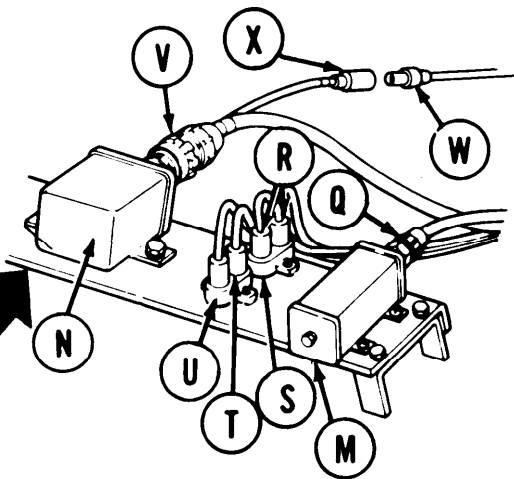
7. Route wiring harness assembly (A) to bulkhead connector (L), fixed fire extinguisher relay (M) and air cleaner blower relay (N).

Go on to Sheet 10

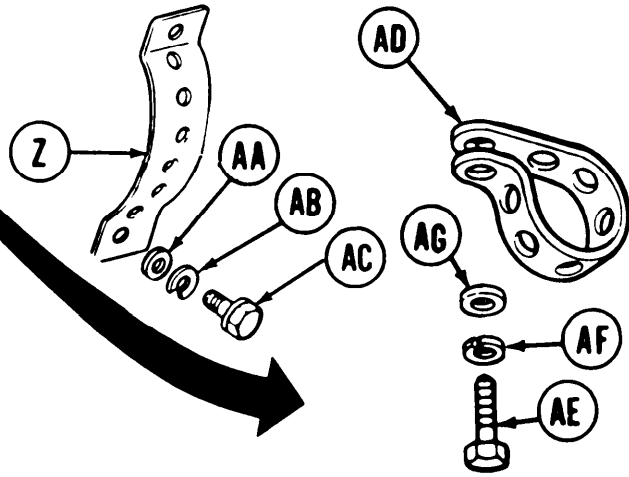
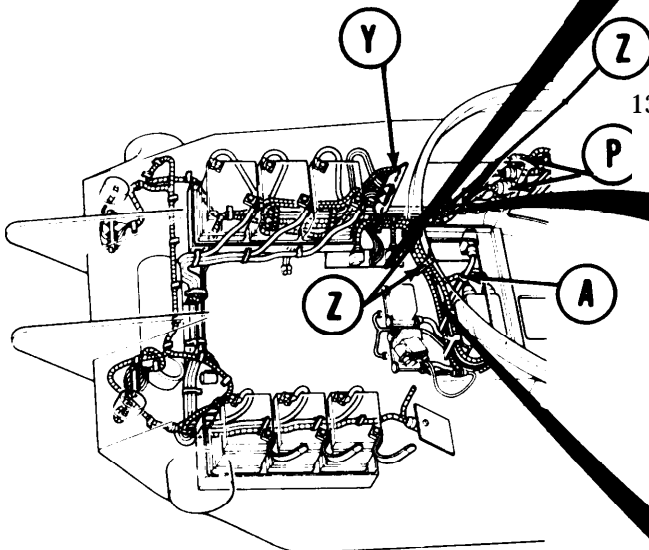
TA251078

**FRONT ACCESSORY HARNESS REPLACEMENT (Sheet 10 of 14)**

8. Connect two bulkhead connectors (P) (page 5-3).
9. Connect connector (Q), CKT 975, 975A, to fixed fire extinguisher relay (M).
10. Using 1-1/8 inch wrench, tighten connector (Q).
11. Connect connectors (R) CKT 975, to circuit breakers (S).
12. Connect connectors (T) CTK 400, 459, to circuit breakers (U).



13. Connect connector (V), CKT 415, 415A and 415B, to air cleaner blower relay (N). Using spanner wrench, tighten connector (V).



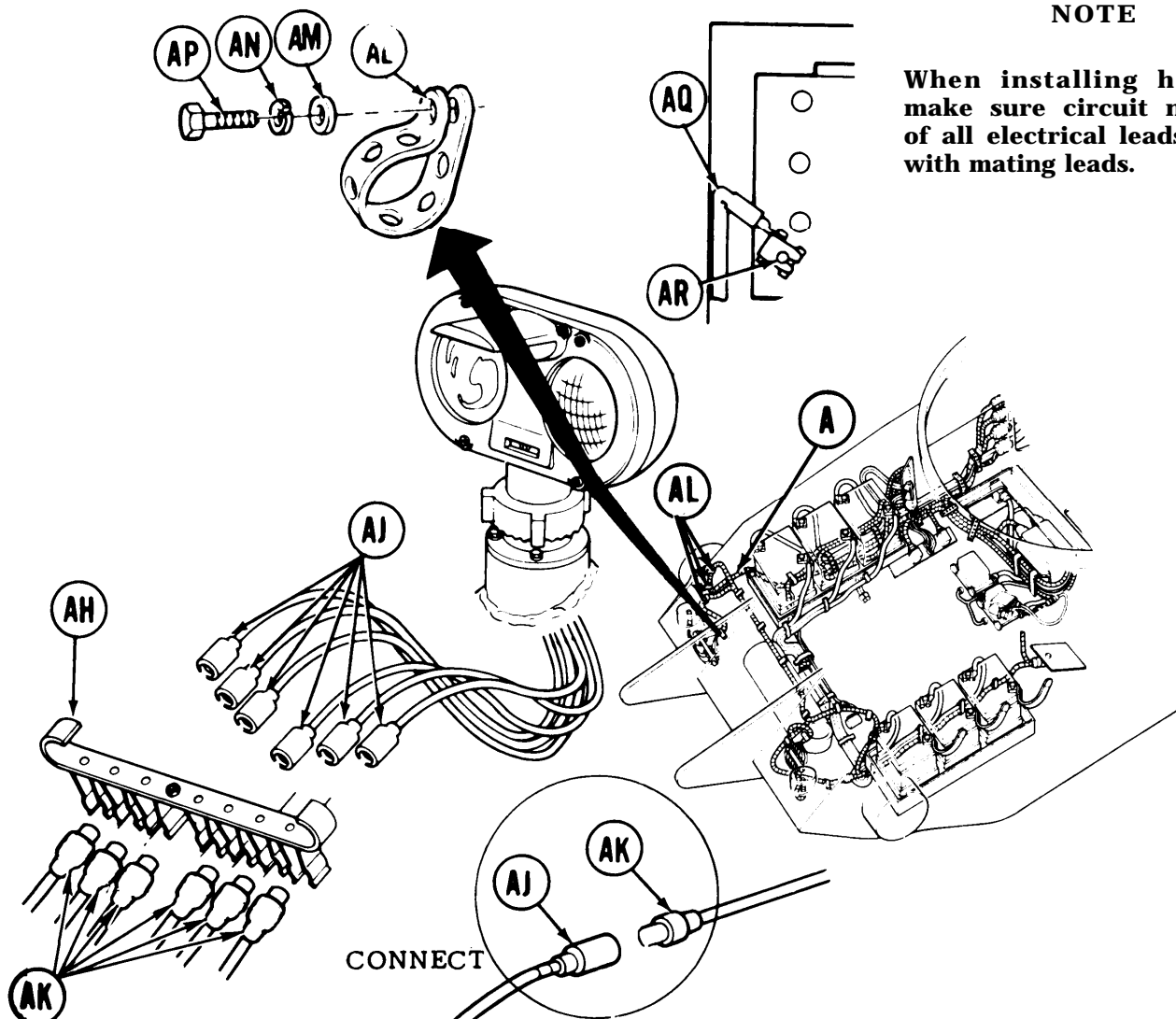
14. Connect electrical lead (W) to blower relay lead (X).
15. Using spanner wrench, install five connectors (Y).
16. Position five straps (Z) over wiring harness assembly (A).
17. Using 7/16 inch socket, install flat washers (AA), new lockwashers (AB), and screws (AC) securing five straps (Z).
18. Position strap (AD) over wiring harness assembly (A).
19. Using 7/16 inch wrench, install screw (AE), new lockwashers (AF), and flat washer (AG) securing strap (AD).

Go on to Sheet 11

TA251079

FRONT ACCESSORY HARNESS REPLACEMENT (Sheet 11 of 14)

20. Route wiring harness assembly (A) along right side of hull to clip bracket assembly (AH) below right headlight.



NOTE

When installing harness, make sure circuit numbers of all electrical leads match with mating leads.

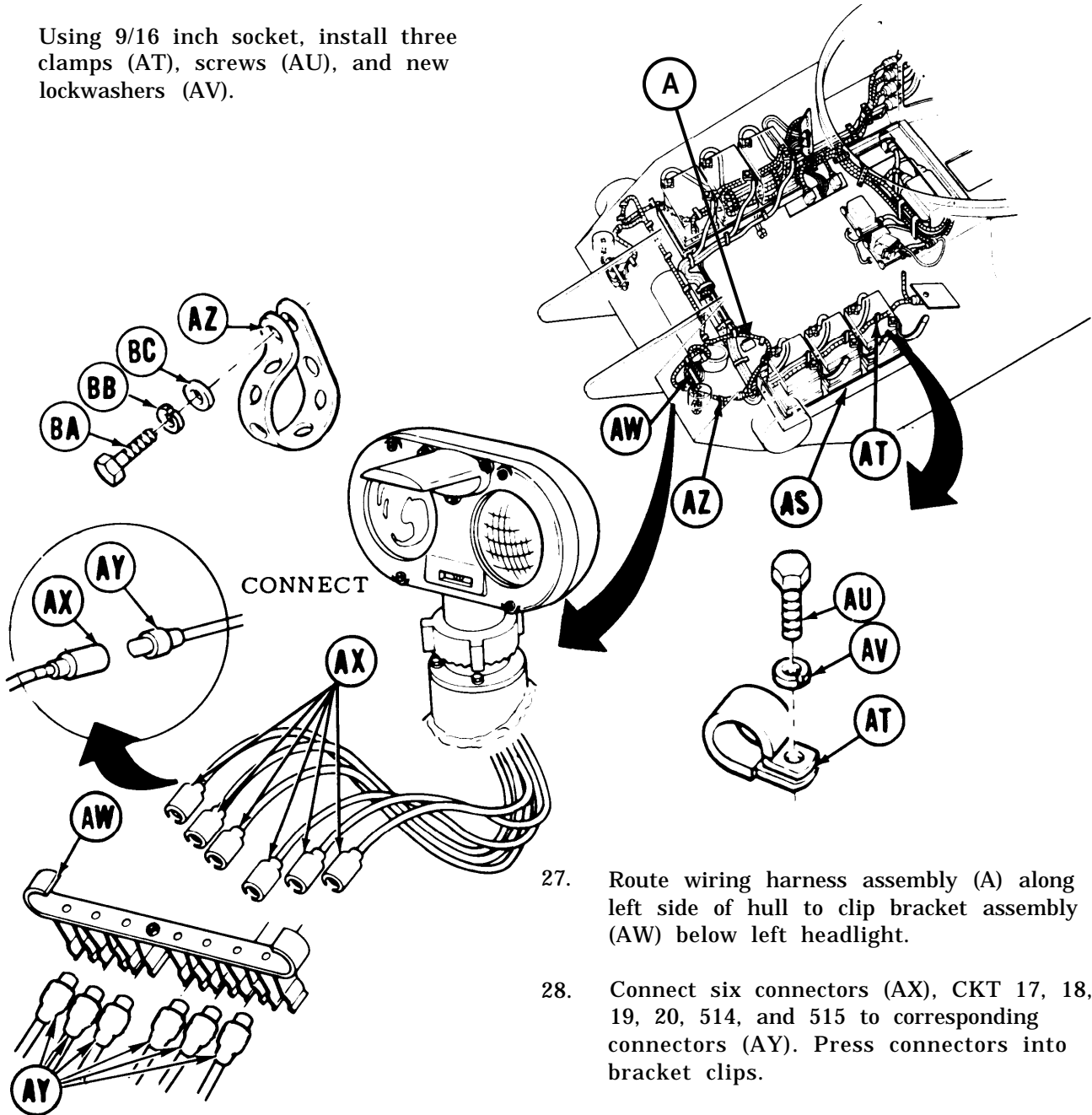
21. Connect five connectors (AJ), CKT 17, 18, 20, 514, and 515 to connectors (AK). Press connectors into clips of bracket (AH).
22. Connect connector (AJ) CKT 19 to dummy load in bracket (AH).
23. Using 7/16 inch socket, install three straps (AL), flat washers (AM), new lockwashers (AN), and screws (AP) securing wiring harness assembly (A).
24. Using 5/8 inch wrench, install electrical lead (AQ) and nut (AR) to terminal of center battery.

Go on to Sheet 12

TA251080

FRONT ACCESSORY HARNESS REPLACEMENT (Sheet 12 of 14)

25. Route wiring harness assembly (A) along battery box (AS).
26. Using 9/16 inch socket, install three clamps (AT), screws (AU), and new lockwashers (AV).



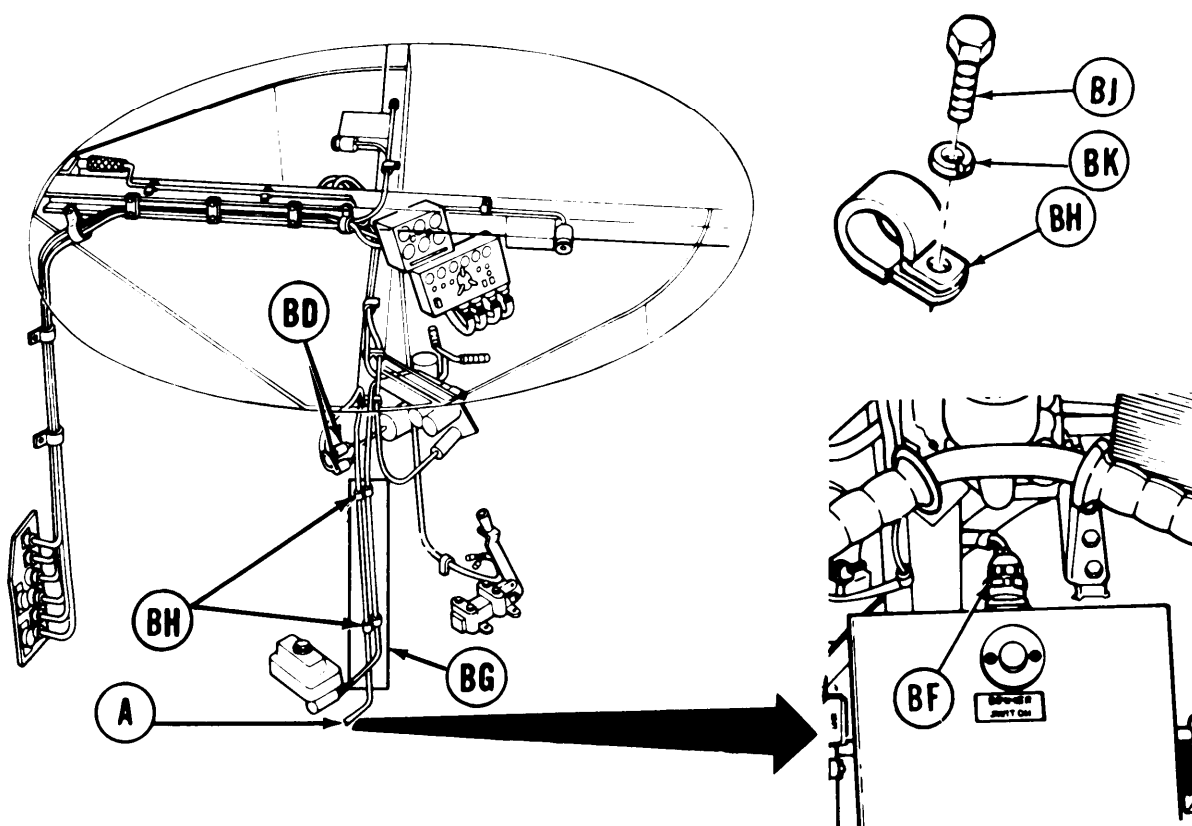
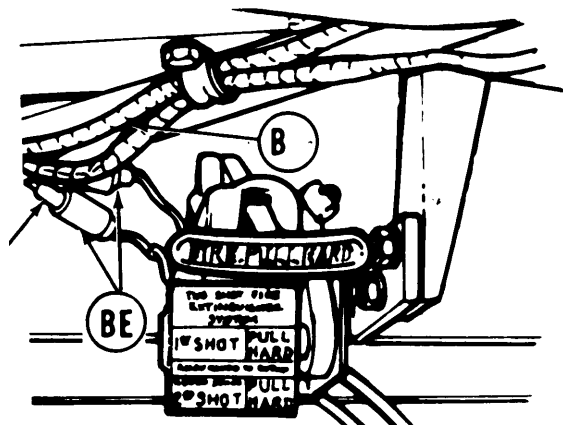
27. Route wiring harness assembly (A) along left side of hull to clip bracket assembly (AW) below left headlight.
28. Connect six connectors (AX), CKT 17, 18, 19, 20, 514, and 515 to corresponding connectors (AY). Press connectors into bracket clips.
29. Using socket, install two straps (AZ), screws (BA), new lockwashers (BB), and flat washers (BC).

Go on to Sheet 13

TA251081

**FRONT ACCESSORY HARNESS REPLACEMENT (Sheet 13 of 14)**

30. Connect two electrical leads (BD), CKT 975, to leads (BE) from fixed fire extinguisher interior release handle.
31. Connect connector (BF) to dimmer switch. Using spanner wrench, tighten connector (BF).



32. Using 7/16 inch socket, secure wiring harness assembly (A) to vertical post (BG) located to left and forward of driver's seat, with clamps (BH), screws (BJ), and new lockwashers (BK).

Go on to Sheet 14

TA251082

**FRONT ACCESSORY HARNESS REPLACEMENT (Sheet 14 of 14)**

33. Install access cover under commander's periscope stowage box (TM 5-5420-226-20).
34. Install commander's periscope stowage box (TM 5-5420-226-20).
35. Install access cover under commander's seat (TM 5-5420-226-20).
36. Lower commander's seat (TM 5-542-226-10).
37. Connect basket connectors (page 5-73).
38. Connect bulkhead connectors (page 5-3).
39. Install ground straps at batteries (TM 5-5420-226-20).

End of Task

HEU FRONT HARNESS REPLACEMENT (SHEET 1 OF 8 )

PROCEDURE INDEX

PROCEDURE	PAGE
Removal	10-296.102
Installation	10-296.106

TOOLS: Spanner wrench  
 7/16 in. socket with 1/2 in. drive  
 15 in. adjustable wrench

1-1/8 inch open end wrench  
 Ratchet with 1/2 in. drive  
 6 inch extension 1/2 inch drive

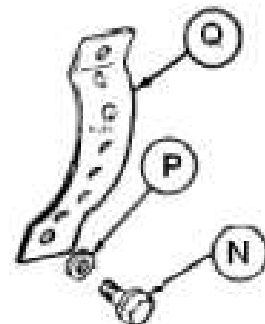
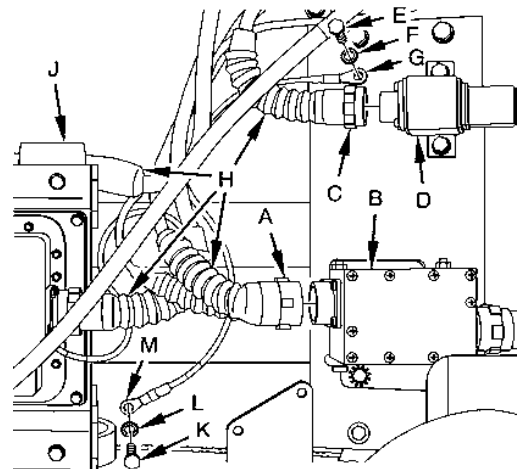
SUPPLIES: Silicone compound (Item 10, Appendix B)  
 Lockwashers (as required)

REFERENCES: TM 5-5420-226-10

PRELIMINARY PROCEDURES: Disconnect three battery ground straps (page 10-268)  
 Remove commander's floor plate (page 17-9)  
 Remove voltage regulator assembly (page 10-20.1)  
 Bulkhead cables disconnected (page 10-269)

REMOVAL:

- Using spanner wrench, disconnect connector (A) at master relay (B).
- Using spanner wrench, disconnect connector (C) at engine accessory relay (D).
- Using 7/16 inch socket, remove screw (E) and two lockwashers (F) securing ground strap (G) next to engine accessory relay (D).
- Follow branch of harness assembly (H) back along voltage regulator mounting bracket (J).
- Using 7/16 inch socket, remove screw (K) and two lockwashers (L) securing ground strap (M) at voltage regulator mounting bracket (J).
- Using 7/16 inch socket, remove screws (N) and washers (P) Securing straps (Q) that retain harness assembly (H).

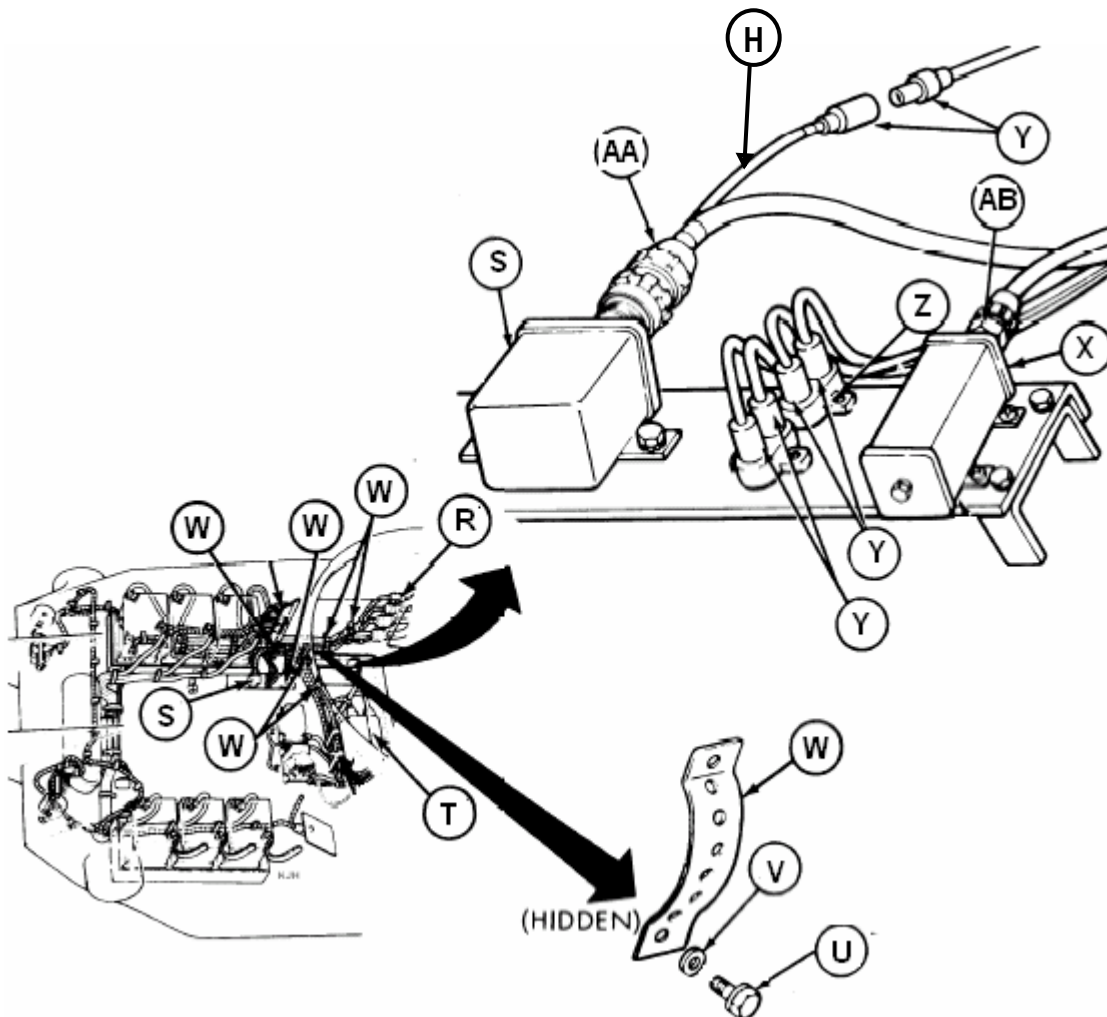


Go on to Sheet 2



**HEU FRONT HARNESS REPLACEMENT (SHEET 2 OF 8)**

7. Follow wiring harness assembly (H) between bulkhead connector (R) and air cleaner blower relay (S) and voltage regulator (T).
8. Using 7/16 inch socket, remove screw (U), and flat washer (V) from one end of five straps (W).
9. Follow wiring harness assembly (H) to air cleaner blower relay (S) and fixed fire extinguisher relay (X).
10. Disconnect electrical leads (Y) from circuit breakers (Z) and air cleaner blower relay (S).
11. Using spanner wrench, disconnect connector (AA).
12. Using 1-1/8 inch wrench, disconnect connector (AB) from fixed fire extinguisher relay (X).

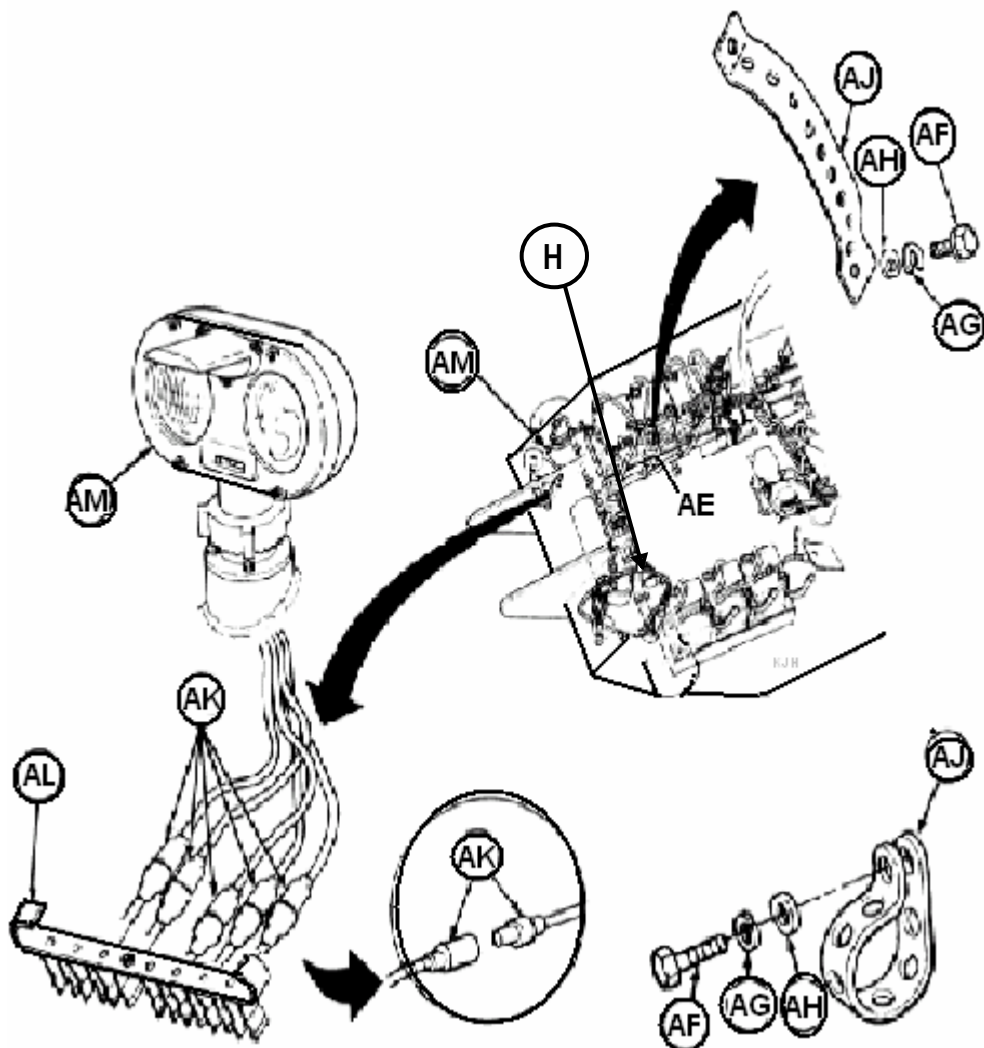
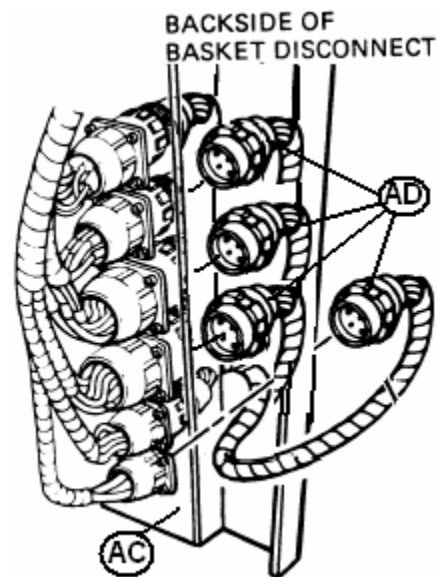


Go on to Sheet 3

### HEU FRONT HARNESS REPLACEMENT (SHEET 3 OF 8)

13. Follow branch of harness assembly (H) to back side of basket disconnect (AC).
14. Using spanner wrench, disconnect four connectors (AD) at back side of basket disconnect (AC).
15. Follow wiring harness assembly (H) along edge of battery box (AE).
16. Using 7/16 inch socket, remove screws (AF), lockwashers (AG), washers (AH), clamps or strapping (AJ) securing harness (H).
17. Remove six electrical connectors (AK) from clips on bracket (AL) below left headlight (AM).
18. Disconnect six connectors (AK) from leads to left headlight (AM).

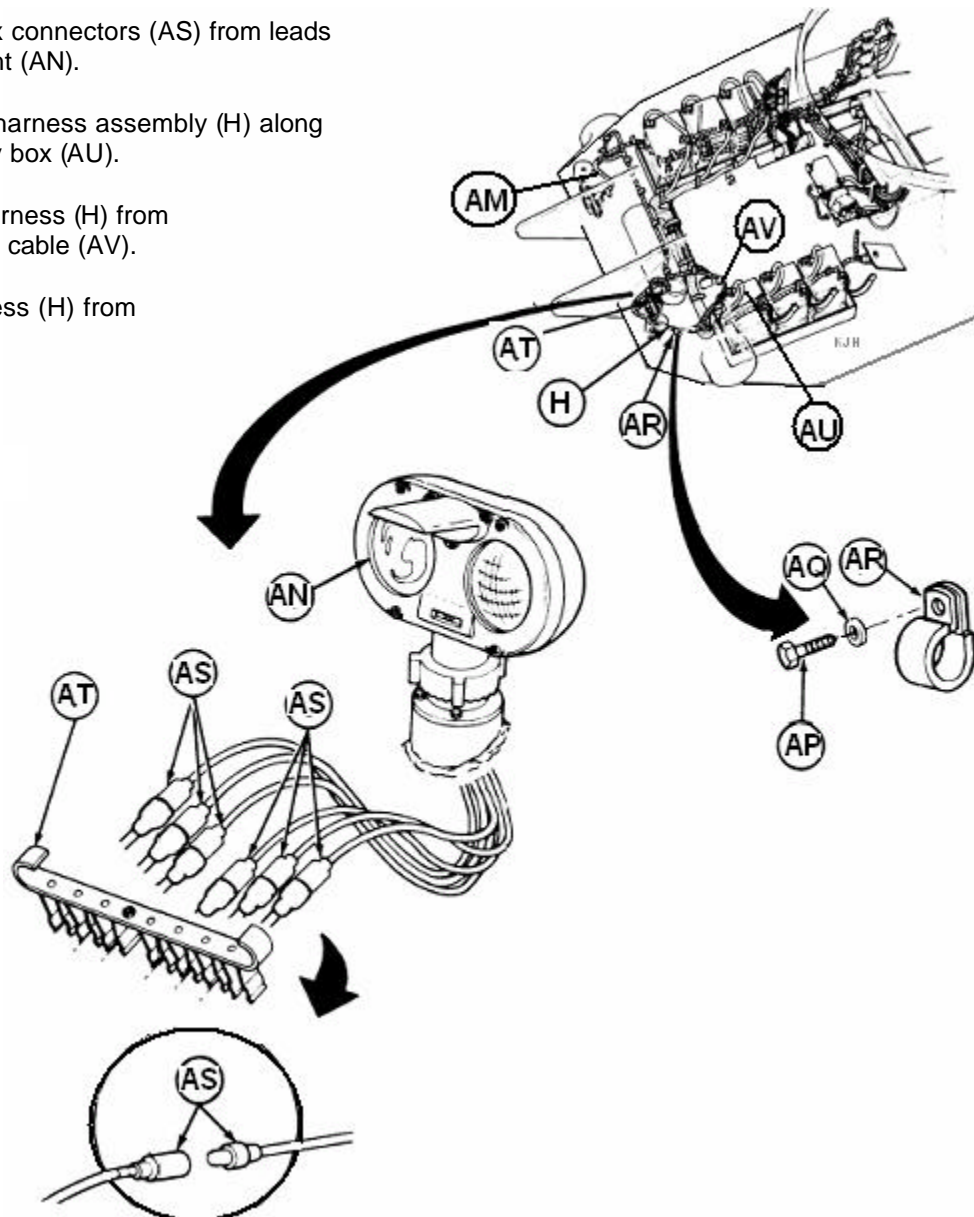
Go on to Sheet 4



**HEU FRONT HARNESS REPLACEMENT (SHEET 4 OF 8)**

19. Follow wiring harness assembly (H) to left headlight (AN).
20. Using 7/16 inch socket, remove screws (AP), washers (AQ), and clamps (AR) securing harness (H) between right headlight (AM) and left headlight (AN).
21. Remove six electrical connectors (AS) from clips on bracket (AT) below left headlight (AN).
22. Disconnect six connectors (AS) from leads to left headlight (AN).
23. Follow wiring harness assembly (H) along edge of battery box (AU).
24. Disconnect harness (H) from dimmer switch cable (AV).
25. Remove harness (H) from vehicle.

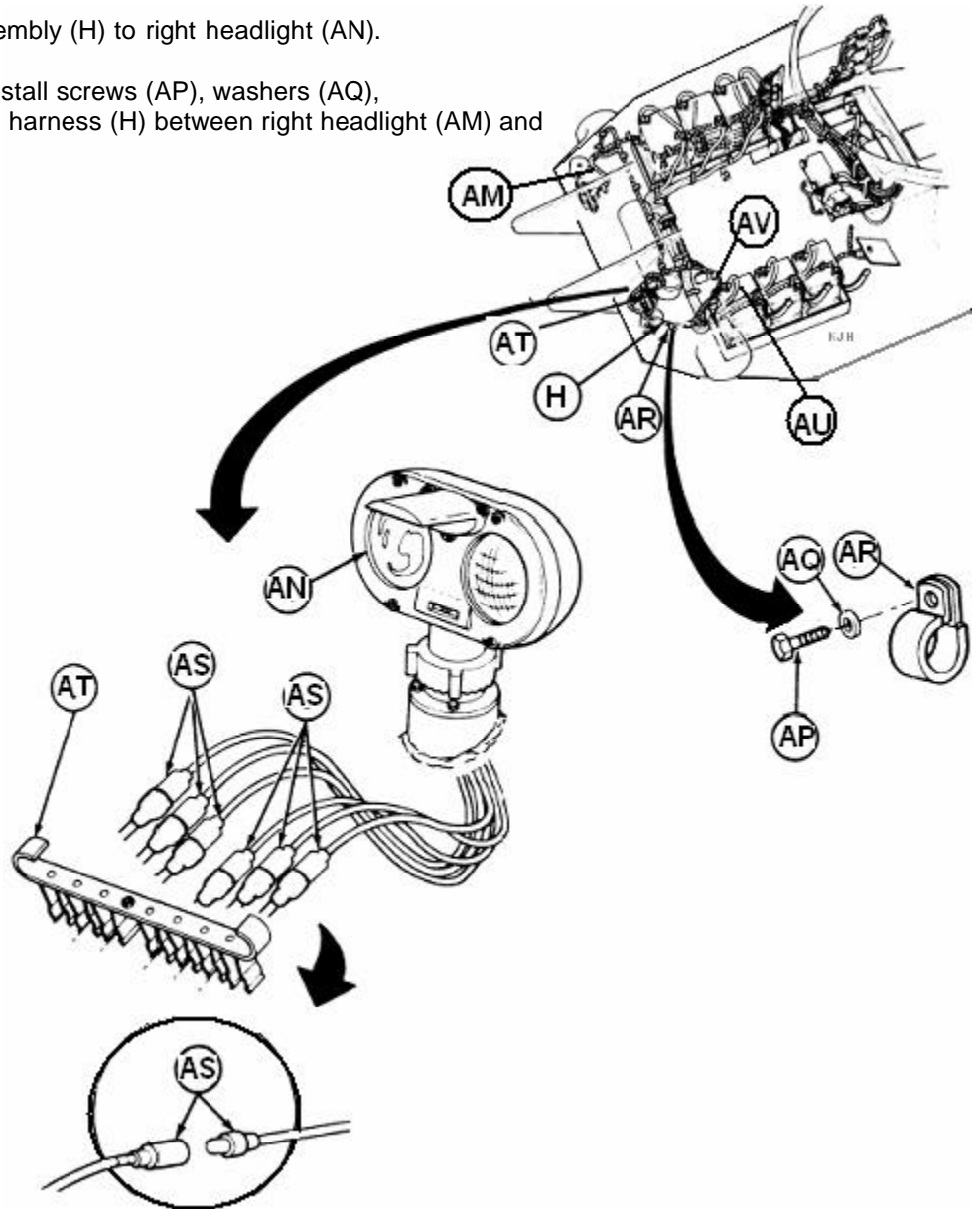
Go on to Sheet 5



## HEU FRONT HARNESS REPLACEMENT (SHEET 5 OF 8)

### INSTALLATION:

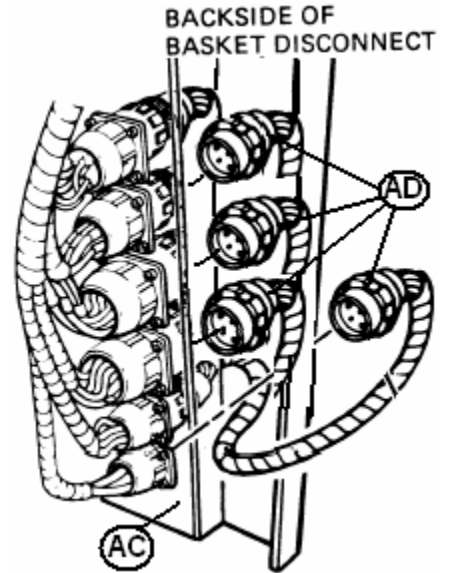
1. Place harness (H) in vehicle.
2. Connect harness (H) to dimmer switch cable (AV).
3. Route wiring harness assembly (H) along edge of battery box (AU).
4. Connect six connectors (AS) to leads on left headlight (AN).
5. Install six electrical connectors (AS) into clips on bracket (AT) below left headlight (AN).
6. Route wiring harness assembly (H) to right headlight (AN).
7. Using 7/16 inch socket, install screws (AP), washers (AQ), and clamps (AR) securing harness (H) between right headlight (AM) and left headlight (AN).



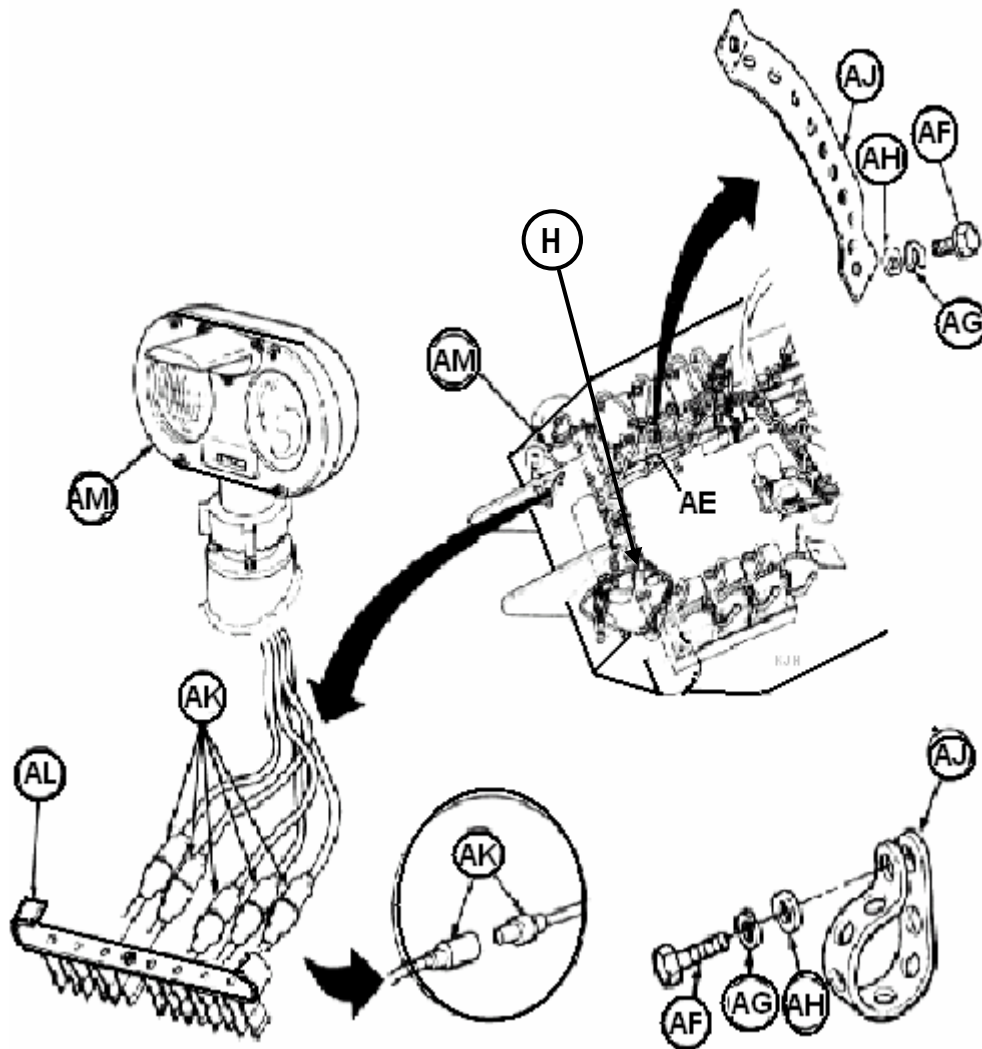
Go on to Sheet 6

**HEU FRONT HARNESS REPLACEMENT (SHEET 6 OF 8)**

8. Connect six connectors (AK) to leads of right headlight (AM).
9. Install six electrical connectors (AK) into clips on bracket (AL) below left headlight (AM).
10. Route wiring harness assembly (H) along edge of battery box (AE).
11. Using 7/16 inch socket Secure harness (H) using screws (AF), new lock washers (AG), washers (AH), and clamps or strapping (AJ).
12. Route harness assembly (H) to back side of basket disconnect (AC).
13. Connect four connectors (AD) at back side of basket disconnect (AC).

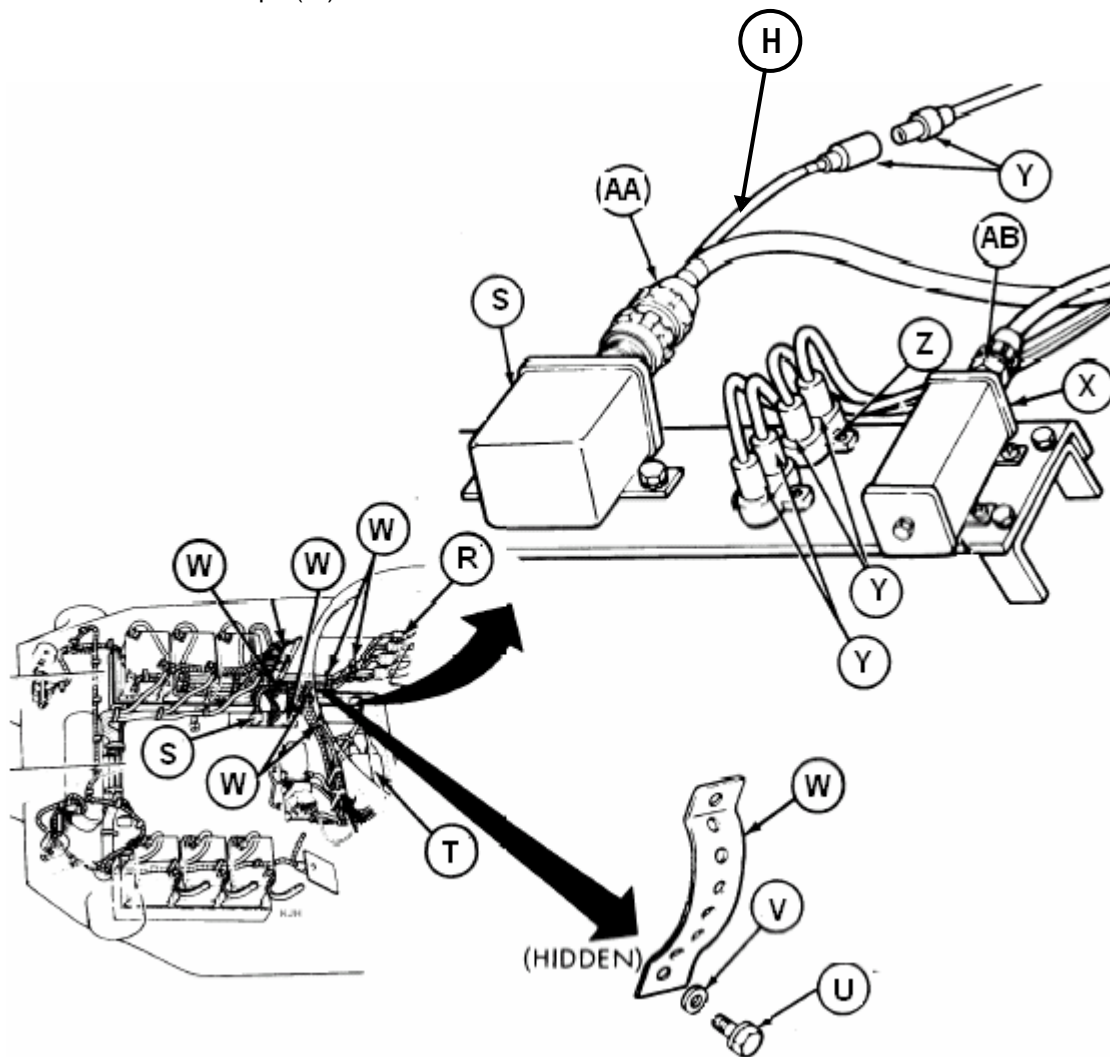


Go on to Sheet 7



**HEU FRONT HARNESS REPLACEMENT (SHEET 7 OF 8)**

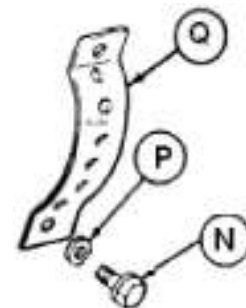
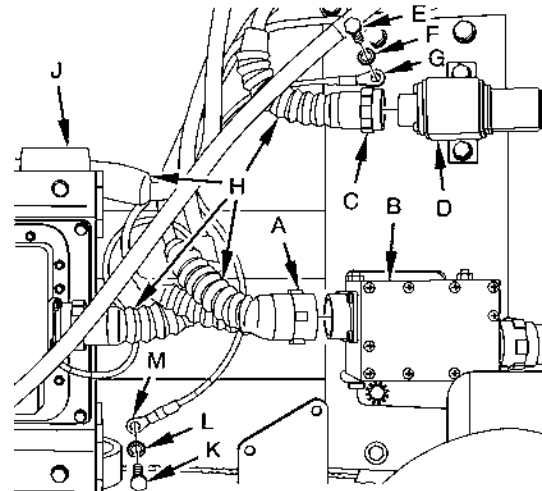
- 14. Route wiring harness assembly (H) to air cleaner blower relay (S) and fixed fire extinguisher relay (X).
- 15. Connect electrical leads (Y) to circuit breakers (Z) and air cleaner blower relay (S).
- 16. Manually connect connector (AA) to air cleaner blower relay (S).
- 17. Manually connect connector (AB) to fixed fire extinguisher relay (X).
- 18. Route wiring harness assembly (H) between bulkhead connector (R) and air cleaner blower relay (S) and voltage regulator (T).
- 19. Using 7/16 inch socket, install screw (U), and flat washer (V) to one end of five straps (W) to one end of five straps (W).



Go on to Sheet 8

**HEU FRONT HARNESS REPLACEMENT CON'T (SHEET 8 OF 8)**

20. Route branch of harness assembly (H) along voltage regulator mounting bracket (J).
21. Using 7/16 inch socket, install screw (K) and two new lockwashers (L) securing ground strap (M) at voltage regulator mounting bracket (J).
22. Manually connect connector (A) to master relay (B).
23. Manually connect connector (C) to engine accessory relay (D).
24. Using 7/16 inch socket, install screw (E) and two new lockwashers (F) securing ground strap (G) next to engine accessory relay (D).
25. Using 7/16 inch socket, install screws (N) and washers (P) securing straps (Q) that retain harness assembly (H).
26. Install voltage regulator assembly (page 3- 268.2).
27. Install commander's floor plate (page 17- 9).
28. Connect Bulkhead cables (page 10-269).
29. Connect three battery ground straps (page 10-268 ).



End of Task

ENGINE WIRING HARNESS (DUST DETECTOR) REPLACEMENT (Sheet 1 of 8)

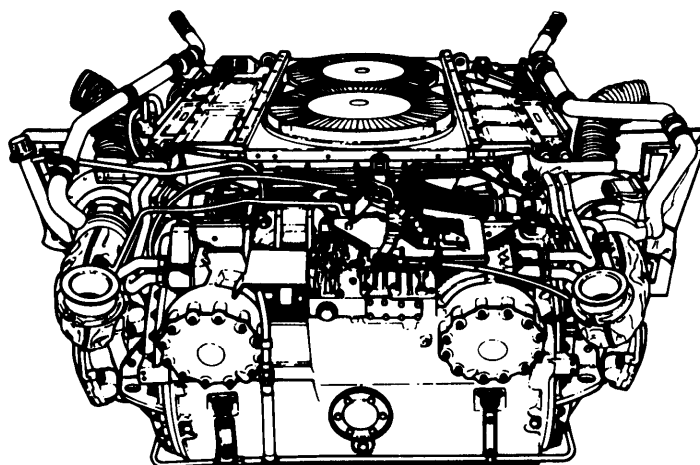
PROCEDURE INDEX

PROCEDURE	PAGE
Removal	10-298.1
Installation	10-298.4

TOOLS: 1/2 in. combination box and open end wrench  
7/16 in. combination box and open end wrench  
1/2 in. socket with 1/2 in. drive  
7/16 in. socket with 1/2 in. drive.  
Ratchet with 1/2 in. drive  
5 in. extension with 1/2 in. drive  
Slip joint pliers, with plastic jaw inserts

SUPPLIES: Lockwasher (2 required)  
Self-locking nut (2 required)  
Silicone compound (Item 32, Appendix D)

PRELIMINARY PROCEDURES: Disconnect battery ground straps (page 10-268)  
Remove top deck (page 16-21)  
Remove transmission shroud (page 9-2)  
Remove engine shroud (page 9-30)



POWERPACK REMOVED  
FOR CLARITY

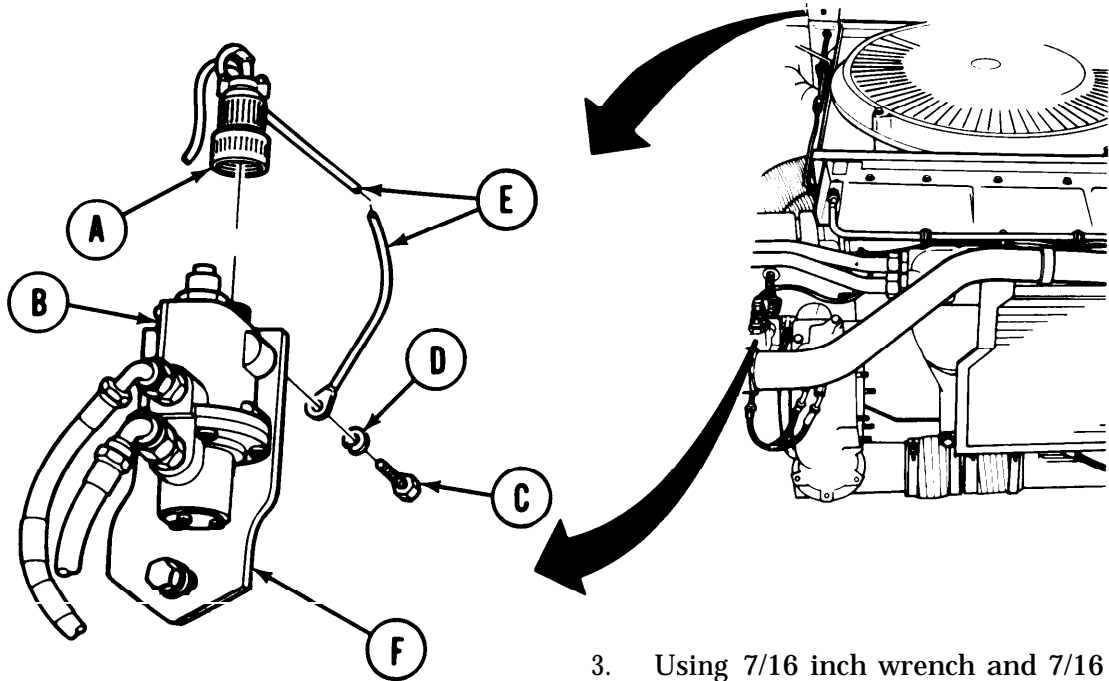
Go on to Sheet 2



**ENGINE WIRING HARNESS DUST DETECTOR) REPLACEMENT (Sheet 2 of 8)**

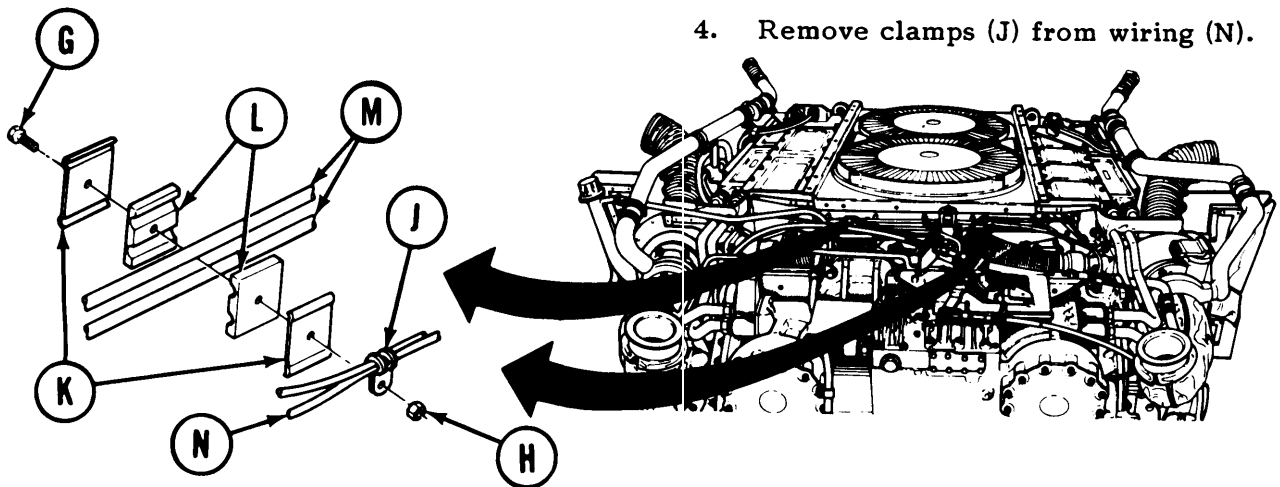
**REMOVAL:**

1. Disconnect connectors (A) from right and left bank pressure switches (B).
2. Using 7/16 inch socket, remove screws (C) and lockwashers (D) securing ground leads (E) to brackets (F).



3. Using 7/16 inch wrench and 7/16 inch socket, remove screw (G) and nut (H) securing clamps (J), retaining strap (K), and pads (L) to tube assemblies (M).

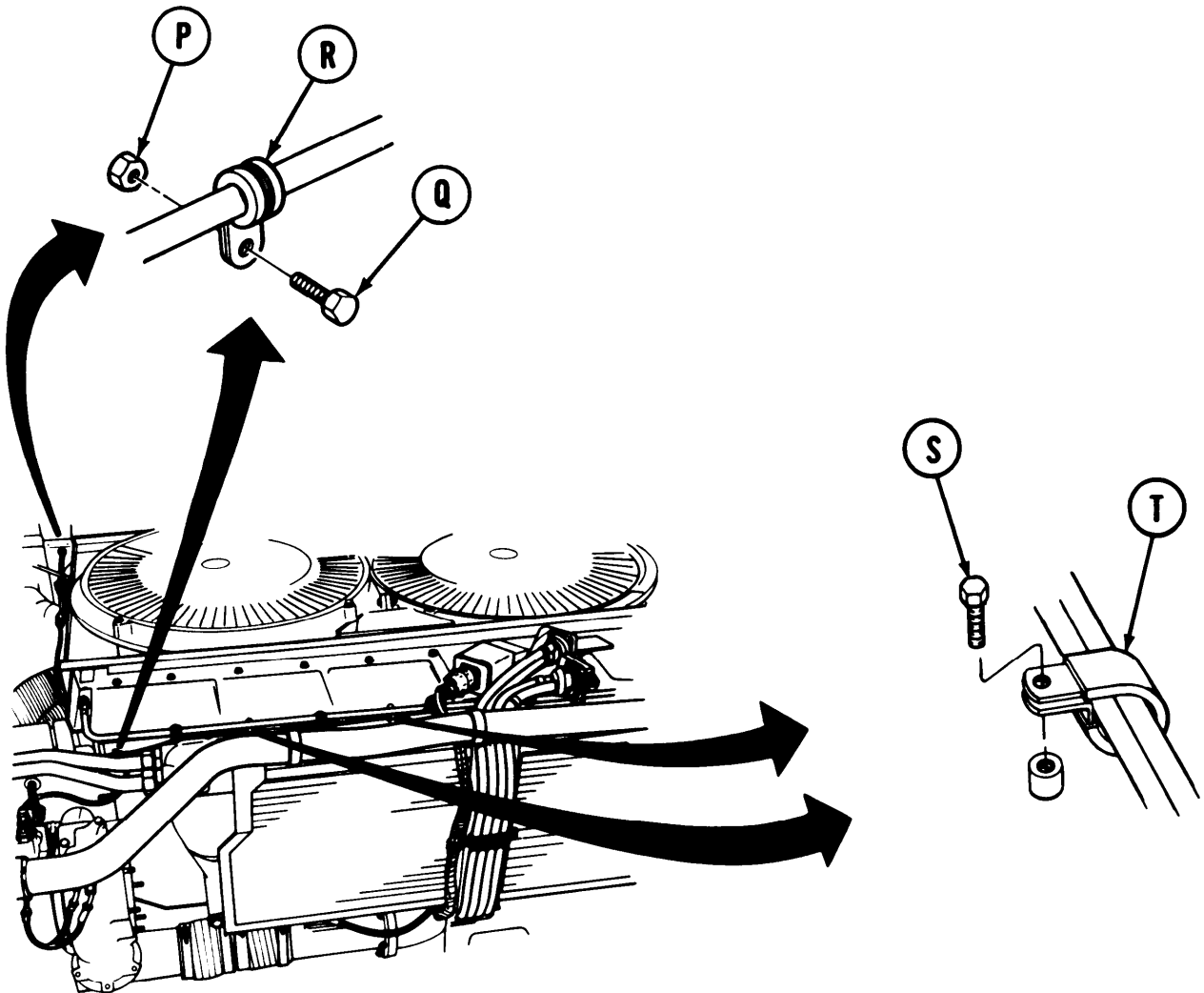
4. Remove clamps (J) from wiring (N).



Go on to Sheet 3

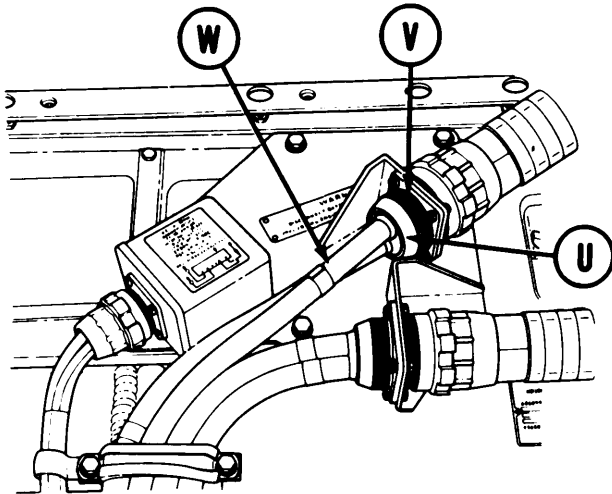
ENGINE WIRING HARNESS (DUST DETECTOR) REPLACEMENT(Sheet 3 of 8)

5. Using 1/2 inch wrench to hold nut (P), use 1/2 inch socket and remove screw (Q) securing clamp (R) (two places). Throw nuts away.
6. Remove clamps (R) from wiring harness.
7. Using 1/2 inch socket, remove screws (S) securing clamps (T) (two places). Remove clamps (T) from wiring harness.

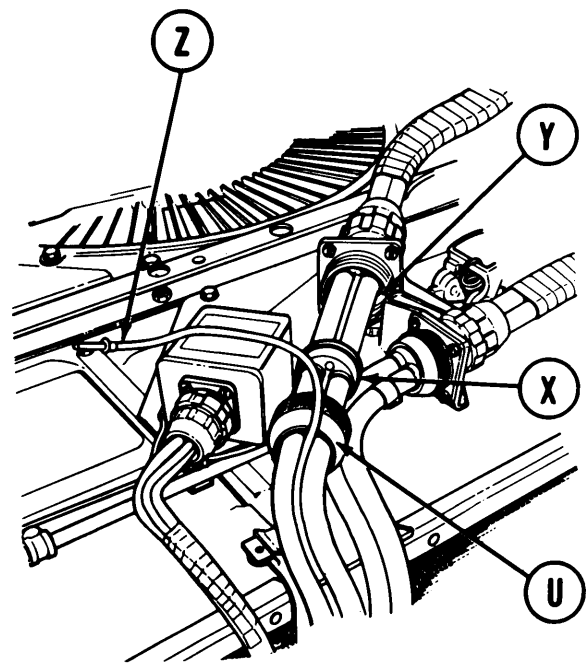


Go on to Sheet 4

**ENGINE WIRING HARNESS (DUST DETECTOR) REPLACEMENT (Sheet 4 of 8)**



8. Using slip joint pliers, unscrew retaining nut (U) from shell (V). Slide retaining nut (U) back along cable assembly (W).



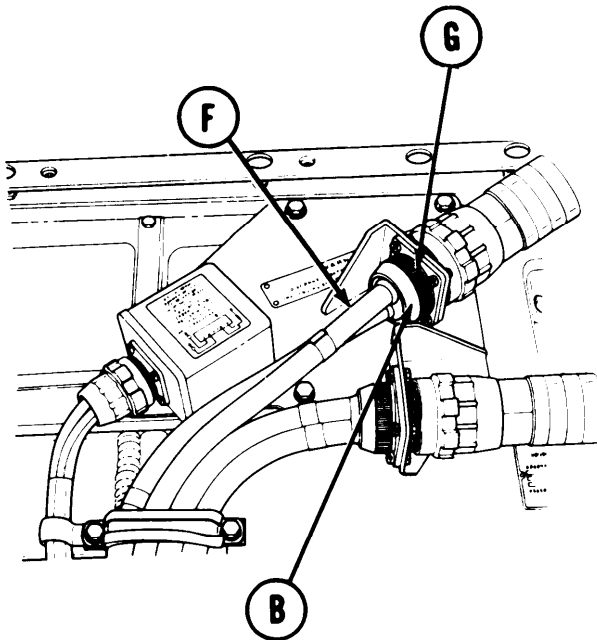
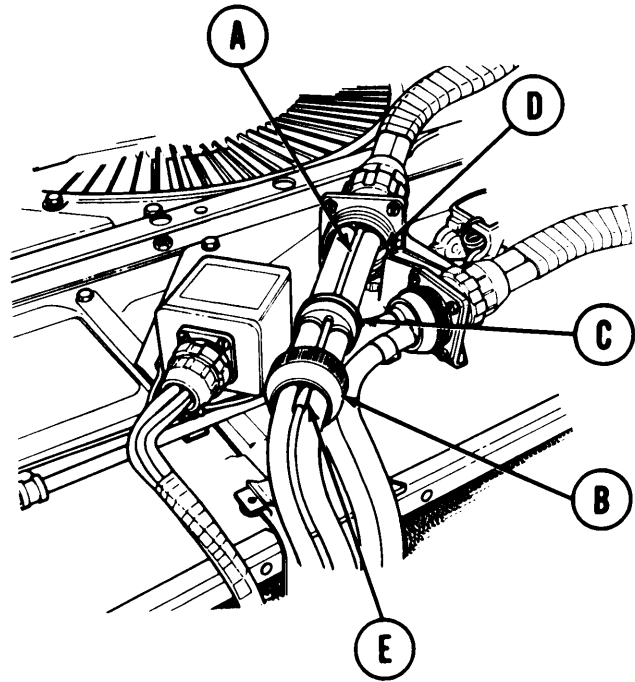
9. Pull bushing (X) back from insert (Y).
10. Remove wiring lead 510 (Z) from position 'C' of insert (Y). pull wiring lead 510 (Z) from bushing (X) and retainer nut (U).
11. Remove dust detector wiring harness from engine.

Go on to Sheet 5

**ENGINE WIRING HARNESS (DUST DETECTOR) REPLACEMENT (Sheet 5 of 8)**

**INSTALLATION:**

1. Apply silicone compound to wiring lead 510 (A) and thread lead through retainer nut (B) and bushing (C).
2. Insert pin of wiring lead 510 (A) in position "C" of insert (D).
3. Slide bushing (C) against insert (D).
4. Slide sleeving (E) up against bushing (C).

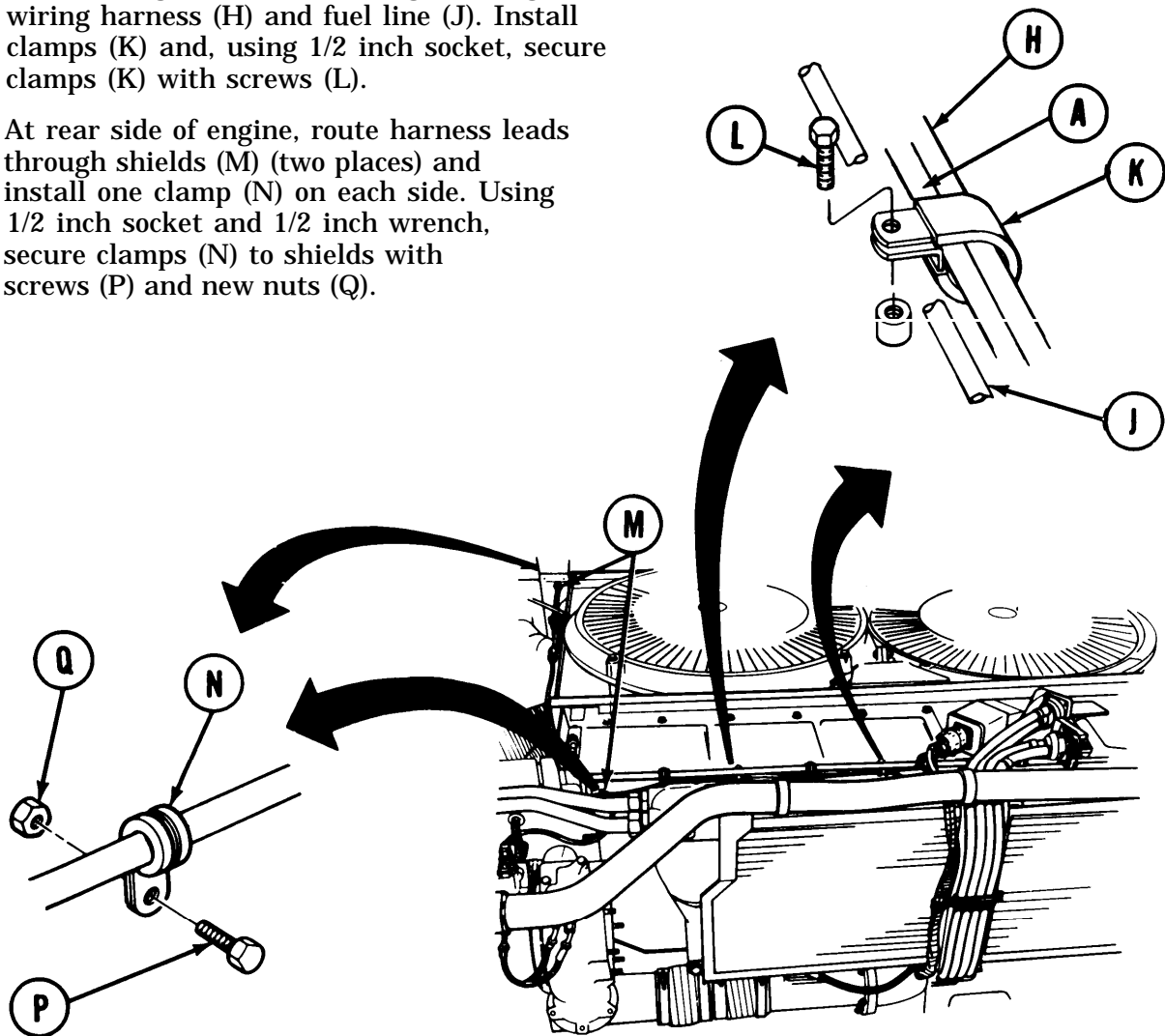


5. Slide retaining nut (B) up cable assembly (F) and connect to shell (G).
6. Using slip joint pliers, tighten retaining nut (B) onto shell (G).

Go on to Sheet 6

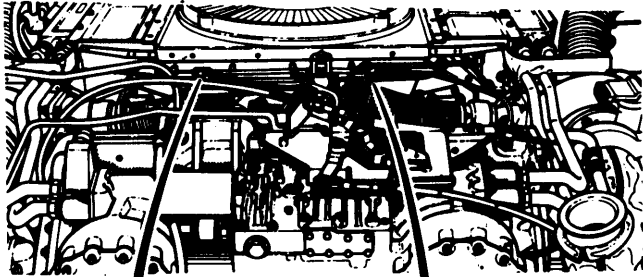
**ENGINE WIRING HARNESS (DUST DETECTOR) REPLACEMENT (Sheet 6 of 8)**

7. At two locations along top left side of engine, route wiring lead 510 (A) along smoke generator wiring harness (H) and fuel line (J). Install clamps (K) and, using 1/2 inch socket, secure clamps (K) with screws (L).
8. At rear side of engine, route harness leads through shields (M) (two places) and install one clamp (N) on each side. Using 1/2 inch socket and 1/2 inch wrench, secure clamps (N) to shields with screws (P) and new nuts (Q).

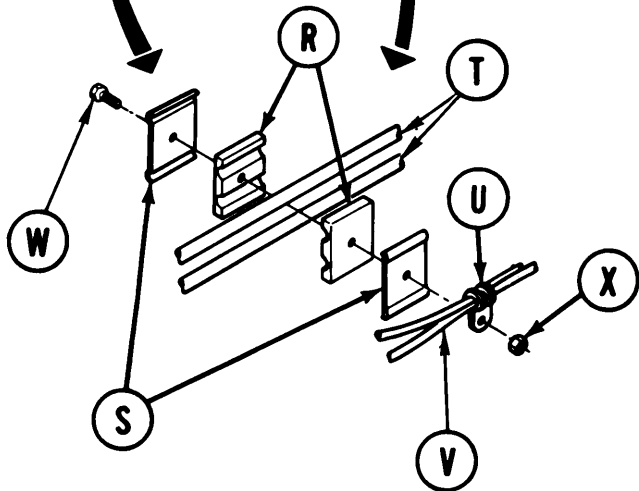


Go on to Sheet 7

ENGINE WIRING HARNESS (DUST DETECTOR) REPLACEMENT (Sheet 7 of 8)



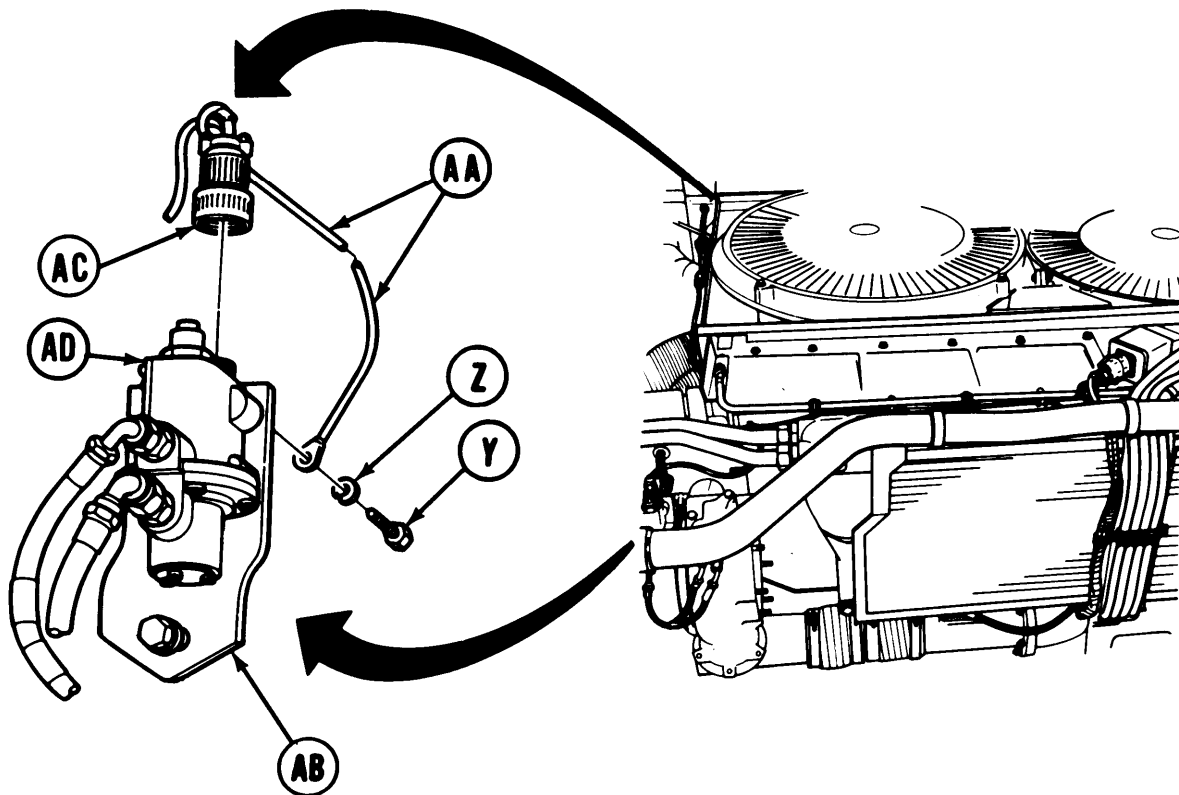
9. At two locations at rear of engine, assemble pads (R) and retaining straps (S) around tube assemblies (T).
10. Install two clamps (U) onto wiring harnesses (V). Pull slack out of wiring harnesses.
11. Using 7/16 inch wrench and 7/16 inch socket, install screw (W) and new self-locking nut (X) to secure clamps (U), retaining straps (S), and pads (R) to two tube assemblies (T).



Go on to Sheet 8

## ENGINE WIRING HARNESS (DUST DETECTOR) REPLACEMENT (Sheet 8 of 8)

12. Using 7/16 inch socket, install screws (Y) and new lockwashers (Z) to secure ground leads (AA) to left and right pressure switch bracket (AB).
13. Connect harness connector (AC) to left and right pressure switches (AD).



14. Connect battery ground straps (page 10-268).
15. Perform dust detector operational test (page 10-298.16).
16. Install engine shroud (page 9-31).
17. Install transmission shroud (page 9-6).
18. Install top deck (page 16-23).

End of Task

**DUST DETECTOR HULL INTERMEDIATE LEAD ASSEMBLY REPLACEMENT**  
**(Sheet 1 of 4)**

PROCEDURE INDEX

PROCEDURE	PAGE
Removal	10-298.8
Installation	10-298.10

TOOLS: 7/16 in. socket with 1/2 in. drive  
Ratchet with 1/2 in. drive  
Pliers, diagonal cutting  
Pliers, slip joint

SUPPLIES: Lockwasher (4 required)  
Strap, tie wrap (as required)

PRELIMINARY PROCEDURE: Disconnect three battery ground straps (page 10-268)

REMOVAL:

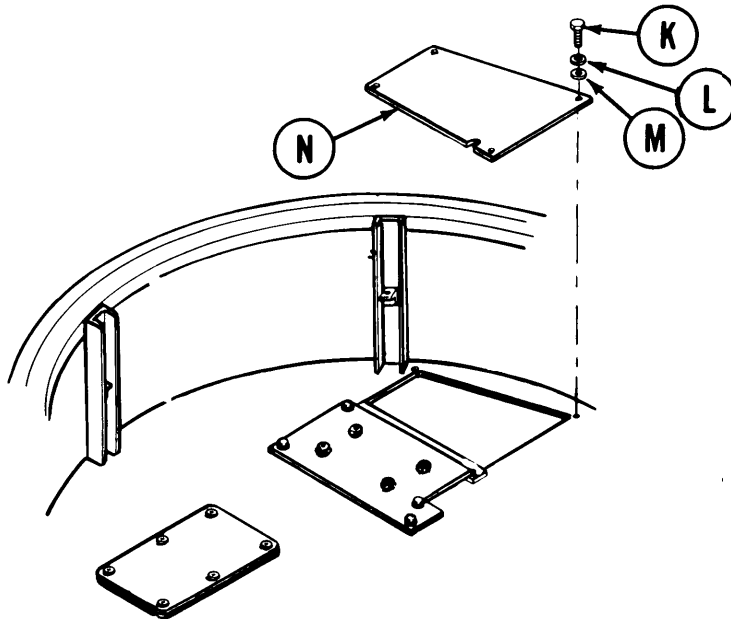
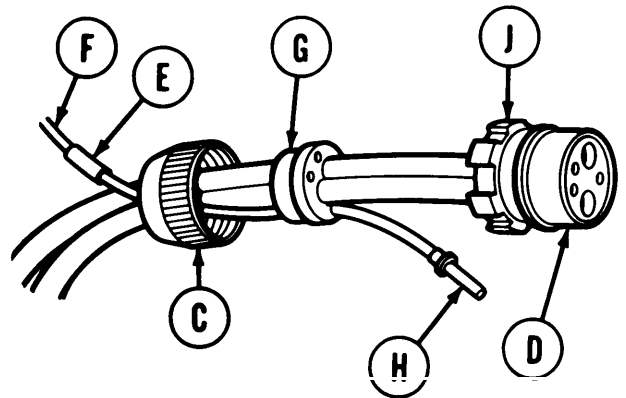
1. Using slip joint pliers, disconnect starter cable (A) at bulkhead connector (B).

Go onto Sheet 2



**DUST DETECTOR HULL INTERMEDIATE LEAD ASSEMBLY REPLACEMENT  
(Sheet 2 of 4)**

2. Using slip joint pliers, unthread retaining nut (C) from shell (D). Slide retaining nut (C) back along cable.
3. Slide sleeving (E) back along lead assembly (F).
4. Slide bushing (G) back along cable.
5. Remove pin (H) from position "C" of insert (J).
6. Pull lead assembly (F) back through bushing (G) and retaining nut (C).



7. Using socket, remove four screws (K), lockwashers (L), and flat washers (M) securing plate (N) to hull floor.
8. Remove plate (N) from hull floor.

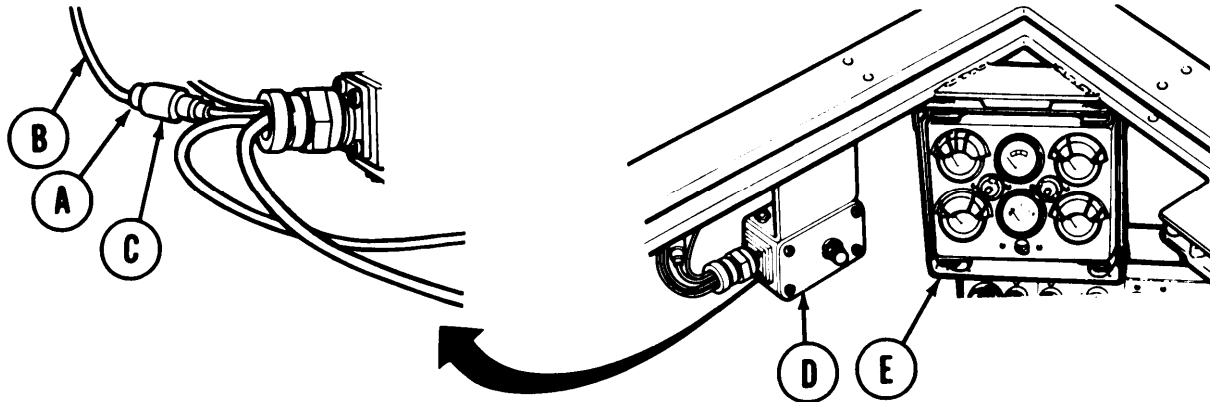
9. Using diagonal cutting pliers, cut tie wraps securing lead assembly (F) along smoke lead.
10. Disconnect lead assembly connector (P) from short lead (Q) on dust detector warning light wiring harness.
11. Remove hull intermediate lead assembly (F) from vehicle.

Go on to Sheet 3

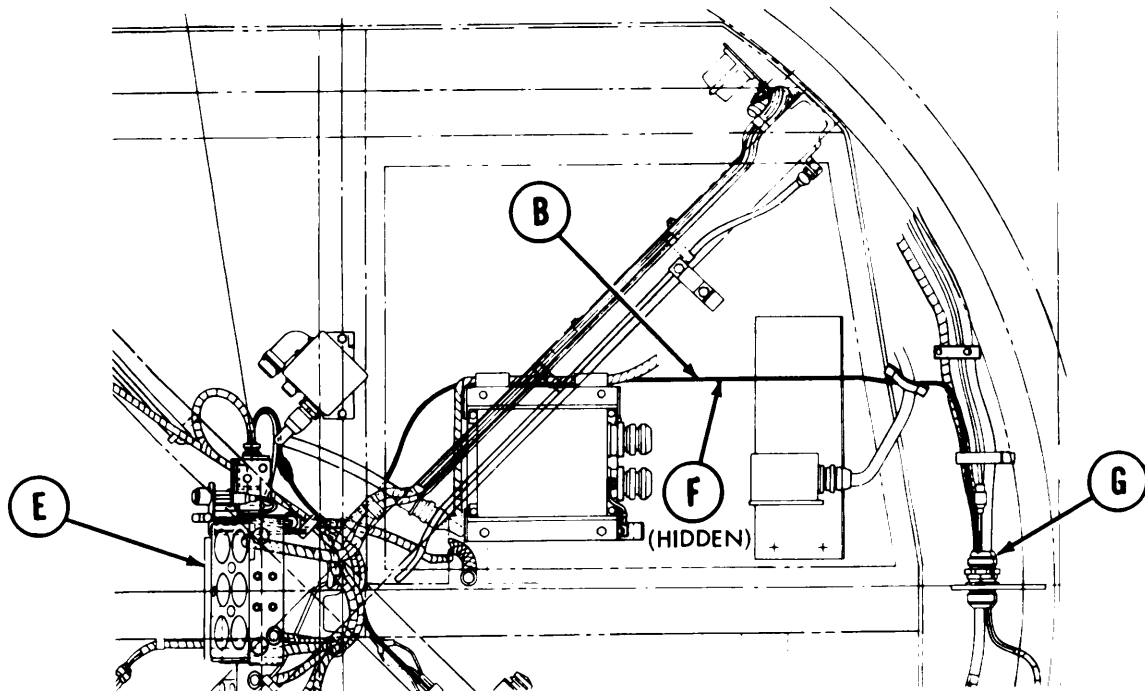
**DUST DETECTOR HULL INTERMEDIATE LEAD ASSEMBLY REPLACEMENT**  
**(Sheet 3 of 4)**

**INSTALLATION:**

1. Connect connector (A) of replacement hull intermediate lead assembly (B) to short lead (C) of dust detector warning light harness assembly.



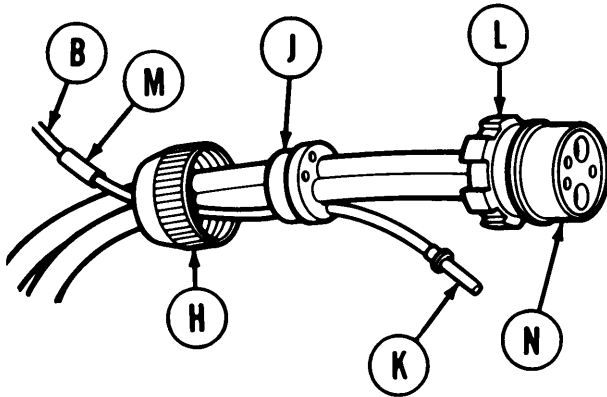
2. Route replacement hull intermediate lead assembly (B) beneath cable retaining straps from dust detector warning light box (D) to behind instrument panel cluster assembly (E) and along smoke lead (F) under floor up to starter cable connector (G).



Go on to Sheet 4

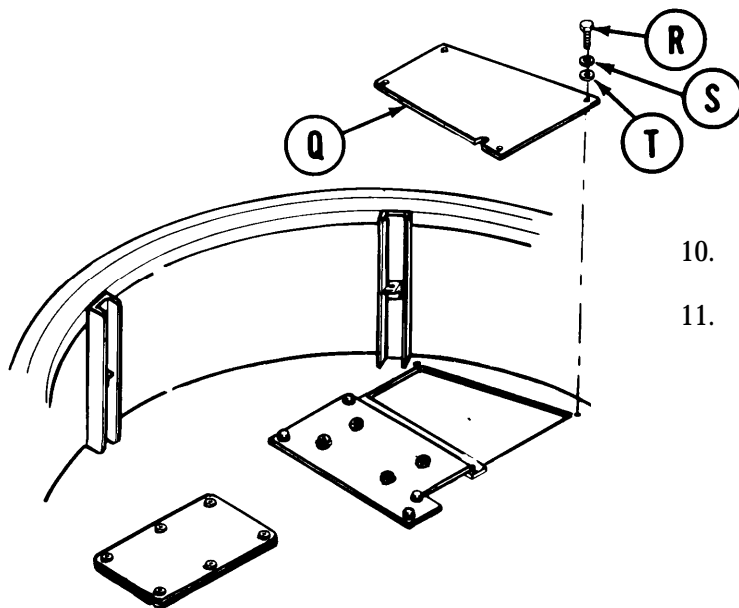
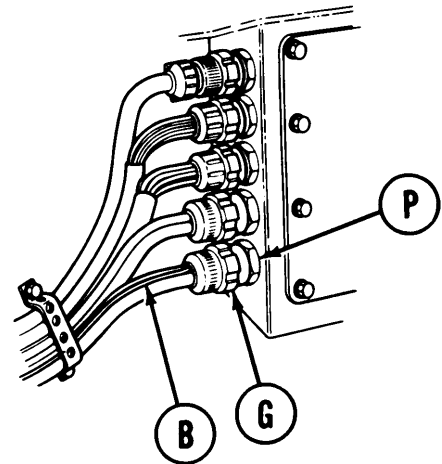
**DUST DETECTOR, HULL INTERMEDIATE LEAD ASSEMBLY REPLACEMENT**  
**(Sheet 4 of 4)**

3. Insert lead assembly (B) through retaining nut (H) and bushing (J).
4. Install pin (K) into position "C" of insert (L).
5. Slide bushing (J) against insert (L).



6. Slide sleeving (M) against bushing (J).
7. Install retaining nut (H) on shell (N).

8. Using slip joint pliers, connect starter cable connector (G) to bulkhead connector (P).
9. Secure lead assembly (B) to smoke lead with new tie wraps, as required.



10. Place plate (Q) in position on hull floor.
11. Using socket, install four screws (R), new lockwashers (S), and flat washers (T) securing plate (Q) to hull floor.

End of Task

**DUST DETECTOR WARNING LIGHT HARNESS ASSEMBLY REPLACEMENT (Sheet 1 of 2)**

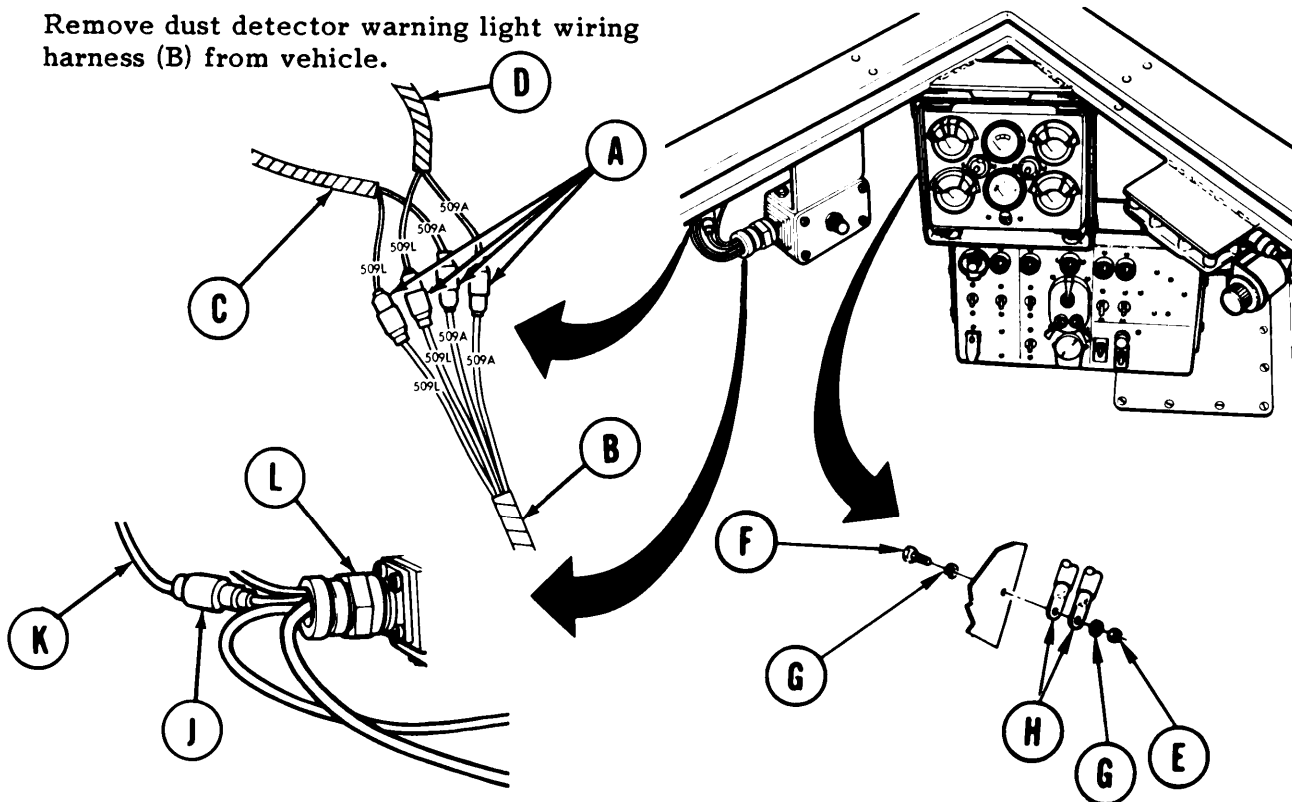
**TOOLS:** 7/16 in. combination box and open end wrench (2 required)  
Pliers, slip joint, plastic jaw insert

**SUPPLIES:** Lockwasher (2 required)

**PRELIMINARY PROCEDURE:** Disconnect three battery ground straps (page 10-268)

**REMOVAL:**

1. Disconnect four lead connectors (A) connecting dust detector warning light wiring harness (B) to front master harness assembly (C) and powerplant warning light harness (D).
2. Using one 7/16 inch wrench to hold nut (E), use other 7/16 inch wrench to remove screw (F), lockwashers (G), and nut (E) securing ground leads(H) along side of gage indicator panel.
3. Disconnect dust detector warning light harness short lead (J) from hull intermediate lead assembly (K).
4. Using pliers, disconnect harness connector (L) from dust detector warning light box (M).
5. Remove dust detector warning light wiring harness (B) from vehicle.

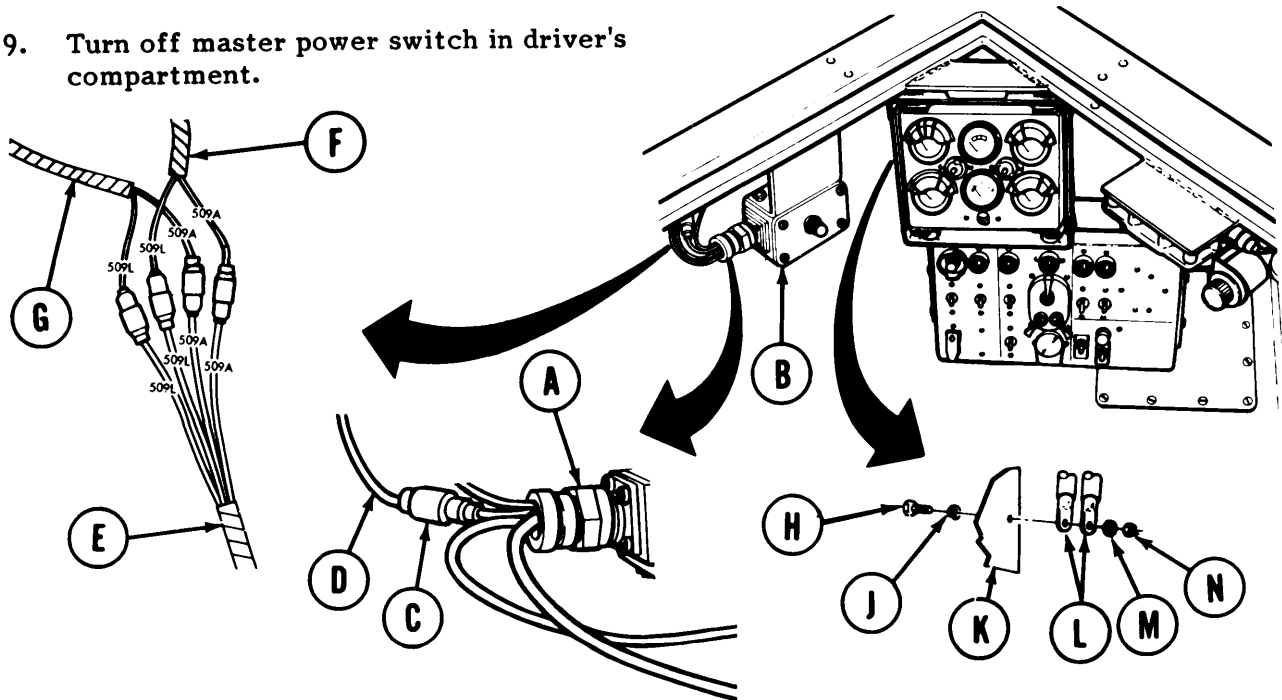


Go onto Sheet 2

**DUST DETECTOR WARNING LIGHT HARNESS ASSEMBLY REPLACEMENT (Sheet 2 of 2)**

**INSTALLATION:**

1. Connect harness connector (A) to dust detector warning light box (B).
2. Connect dust detector warning light short lead(C) to hull intermediate lead assembly(D).
3. Connect lead connectors 509A and 509L of dust detector warning light wiring harness(E) to lead connectors 509A and 509L of powerplant warning light harness (F) and front master harness assembly (G) (four places).
4. Install screw (H) with lockwasher (J) through bracket (K).
5. Install ground leads (L), washer (M), and nut (N) onto screw (H). Using one 7/16 'rich wrench to hold screw (H), use another 7/16 inch wrench to tighten nut (N).
6. Connect three battery ground straps (page 10-268).
7. Turn on master power in driver's compartment.
8. Press to test lamp on dust detector warning light box (B).
  - A. If light comes on, proceed with task.
  - B. If light failed to come on, troubleshoot.
9. Turn off master power switch in driver's compartment.



End of Task

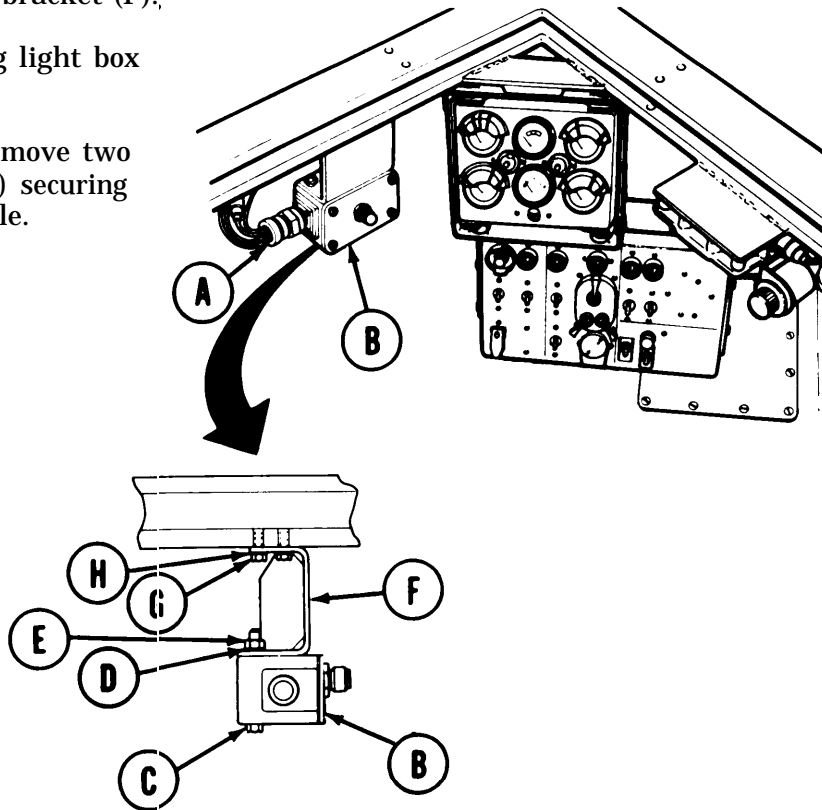
**DUST DETECTOR WARNING LIGHT BOX ASSEMBLY AND MOUNTING BRACKET  
REPLACEMENT (Sheet 1 of 2)**

TOOLS: Pliers, slip joint, plastic jaw insert  
7/16 in. combination box and open end wrench (2 required)

SUPPLIES: Lockwasher (4 required)

REMOVAL:

1. Using pliers, disconnect harness connector (A) from dust detector warning light box assembly (B).
2. Using wrenches, remove two screws (C), lockwashers (D), and nuts (E) securing dust detector warning light box assembly (B) to mounting bracket (F).
3. Remove dust detector warning light box assembly (B).
4. If necessary, use wrench to remove two screws (G) and lockwashers (H) securing mounting bracket (F) to vehicle.

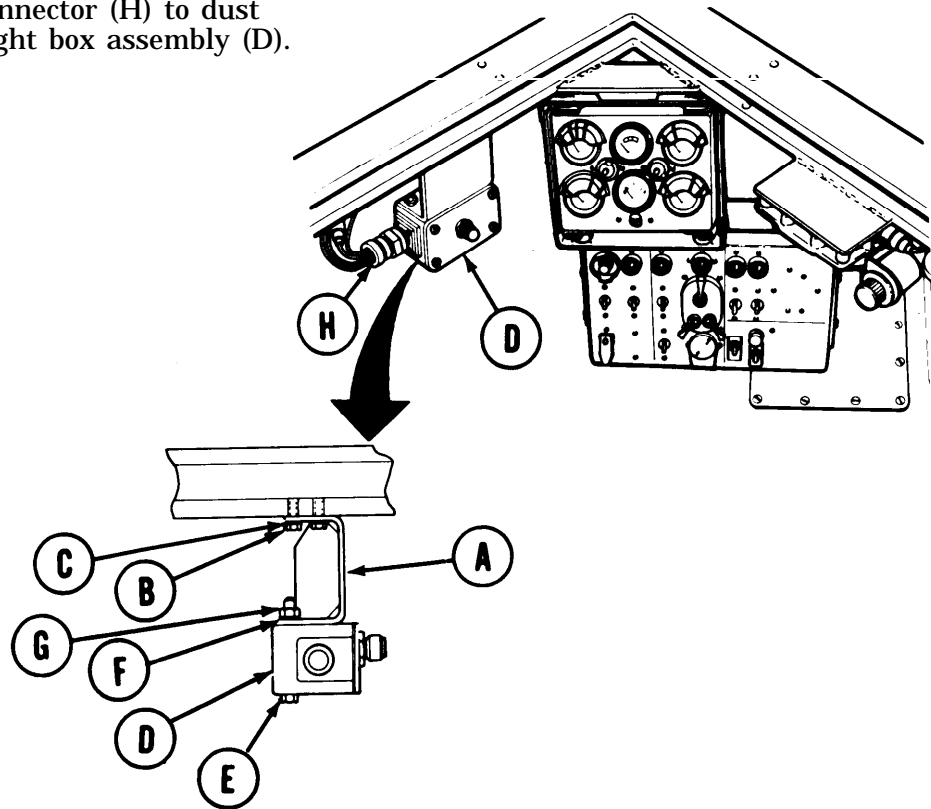


Go on to Sheet 2

**DUST DETECTOR WARNING LIGHT BOX ASSEMBLY AND MOUNTING BRACKET REPLACEMENT (Sheet 2 of 2)**

INSTALLATION:

1. If mounting bracket (A) was removed, position it to vehicle support. Using wrench, install two screws (B) and lockwashers (C) to secure mounting bracket.
2. Position dust detector warning light box assembly (D) to mounting bracket (A) l
3. Using wrenches, install two screws (E), lockwashers (F), and nuts (G) to secure dust detector warning light box assembly (D).
4. Connect harness connector (H) to dust detector warning light box assembly (D).



End of Task

**DUST DETECTOR OPERATIONAL TEST(Sheet 1 of 3)**

TOOLS: 1/2 in. combination box and open end wrench

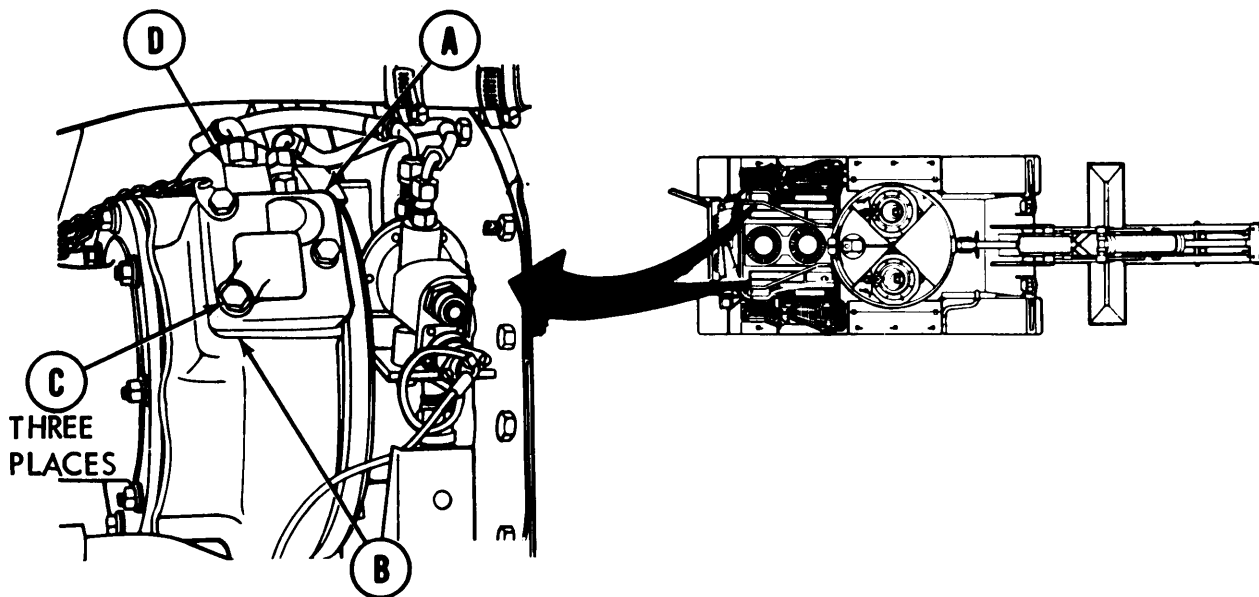
SPECIAL TOOLS: Ground hop kit (Item 30, Chapter 3, Section I) if powerplant is out of tank

REFERENCE: TM 5-5420-226-10

PRELIMINARY PROCEDURE: Open top deck grille doors (TM 5-5420-226-10).

**NOTE**

- **Operational test may be performed with powerplant out of vehicle if ground kit has starter cable modified to accommodate improved clean air system. If powerplant is out of vehicle, connect ground hop kit according to procedures on page 5-27.**
- **Operational test is the same for both right and left sides.**



1. Remove dust and dirt from filter strip cover (A) and compressor housing (B).
2. Using wrench, remove three screws (C) securing filter strip cover (A) to compressor housing (B), but do not remove cover (A).
3. Insert 1-inch wide strip of nonporous material (plastic, celluloid, etc.) over filter strip (D).
4. Using wrench, tighten three screws (C).

Go on to Sheet 2

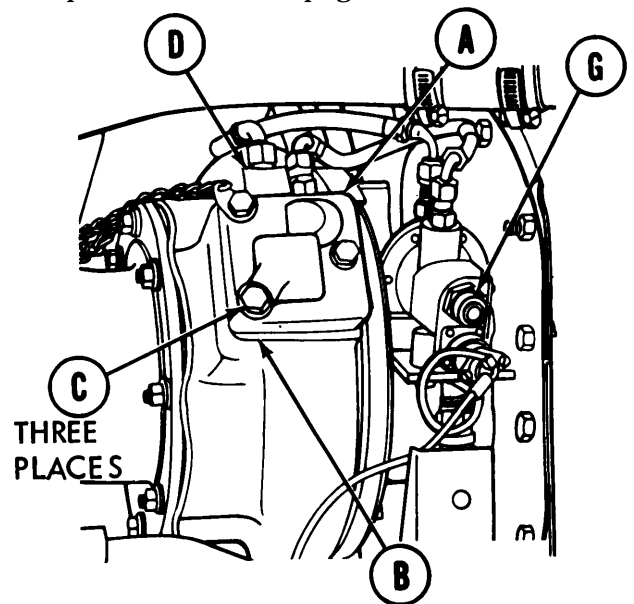
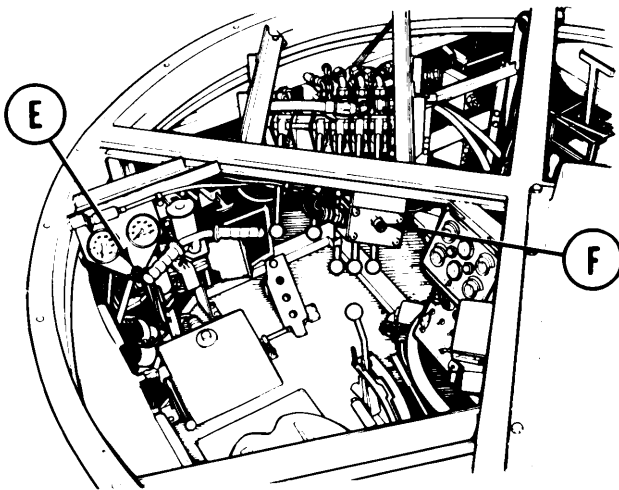


## DUST DETECTOR OPERATIONAL TEST (Sheet 1 of 3)

**WARNING**

To prevent injury to personnel, make sure area around vehicle is clear of personnel and equipment before performing step 5.

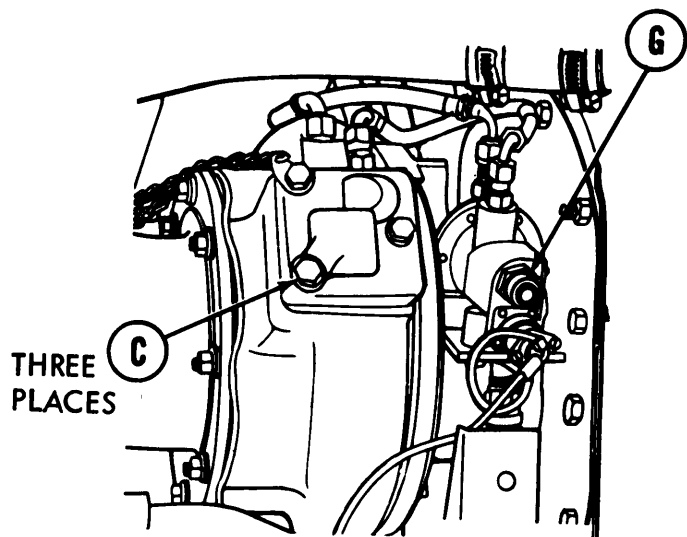
5. Start engine. Apply vehicle brakes. Put transmission lever in high gear. Operate engine at 1800-1900 rpm for no more than 30 seconds. Observe powerplant warning light (E) and dust detector warning light (F).
  - A. If powerplant and dust detector warning lamps (E and F) light, system is operational; go to step 6.
  - B. If powerplant and dust detector warning lamps (E and F) do not light, check to see if dust detector switch (G) is tripped. A red plunger, visible through plastic cover on switch (G), indicates switch (G) has tripped. If switch (G) is tripped, go to troubleshooting symptom 16.1. If switch (G) did not trip, repeat step 5 to verify. If switch (G) still does not trip, replace dust detector pressure switch (page 7-116.7).



6. Stop engine.
7. Using wrench, loosen three screws (C) securing filter strip cover (A) to housing (B) and remove non-porous material from filter strip (D) and cover (A).

**DUST DETECTOR OPERATIONAL TEST (Sheet 3 of 3)**

8. Using wrench, tighten three screws (C).
9. Press plunger to reset pressure switch (G).
10. Close top deck grille doors (TM 5-5420-226-10).



End of Task

**NIGHT VIEWER POWER HARNESS REPLACEMENT(Sheet 1 of 7)**

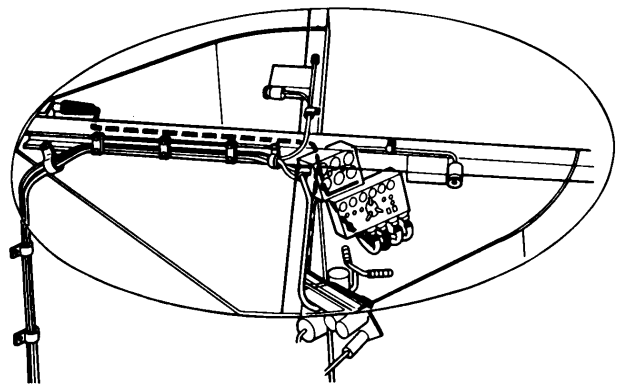
PROCEDURE INDEX

PROCEDURE	PAGE
Removal	10-298.19
Installation	10-298.23

TOOLS: 7/16 in. socket with 1/2 in. drive  
 Ratchet with 1/2 in. drive  
 Spanner wrench

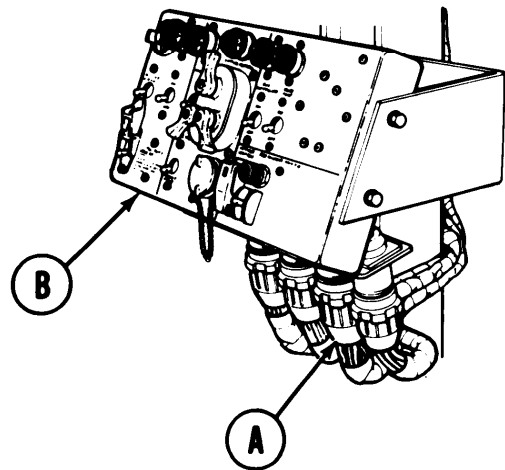
SUPPLIES: Lockwasher (5 required)

PRELIMINARY PROCEDURE: Turn MASTER BATTERY switch to OFF.



REMOVAL:

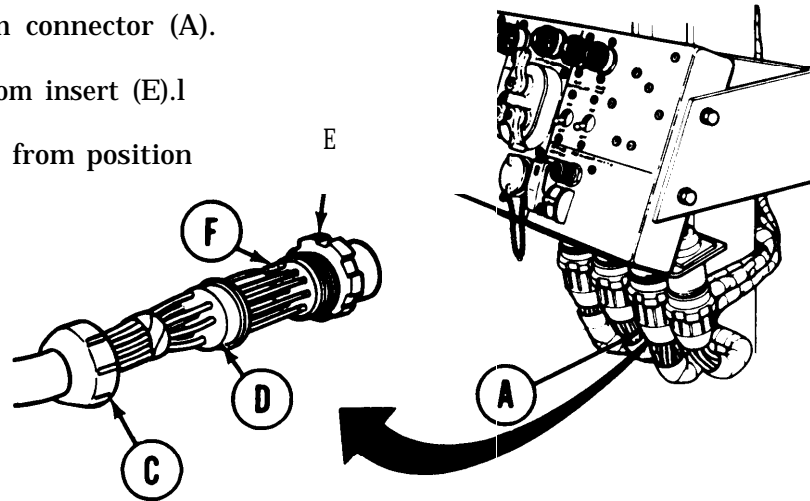
- Using spanner wrench, disconnect accessory harness connector (A) from master control panel (B).



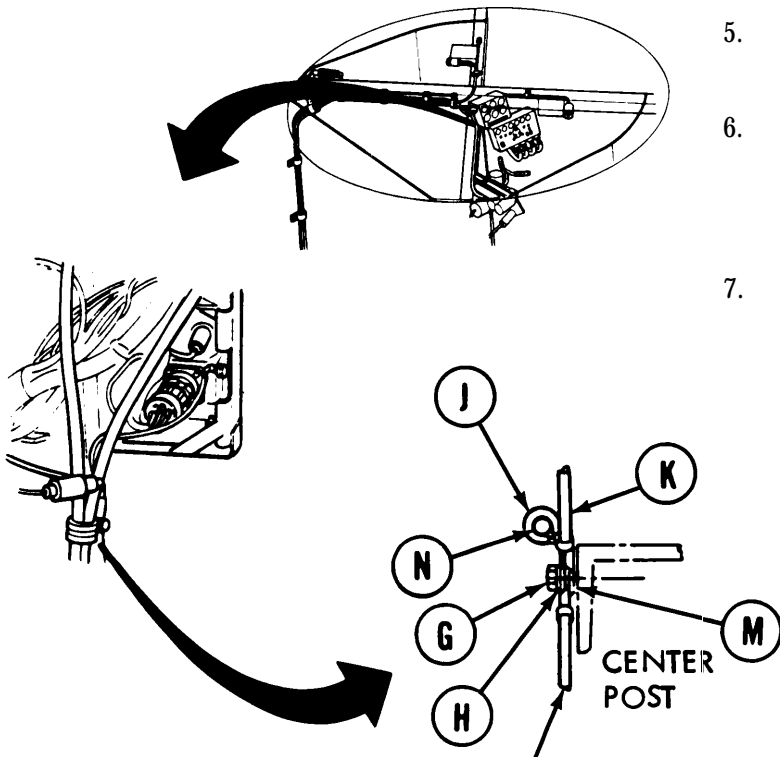
Go onto Sheet 2

NIGHT VIEWER POWER HARNESS REPLACEMENT (Sheet 2 of 7)

2. Back of jamnut (C) from connector (A).
3. Slide bushing (D) back from insert (E).l
4. Remove harness lead (F) from position "A" of insert (E).



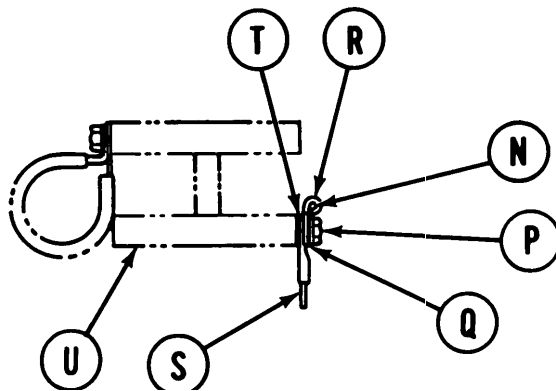
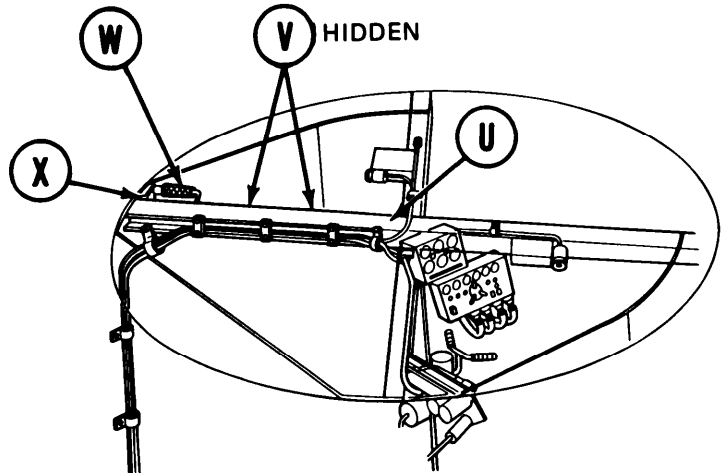
5. Pull harness lead (F) from bushing (D) and jamnut (C).
6. At centermost, use socket and remove screw (G) and lockwasher (H) securing clamp (J), ground wires (K and L), and lockwasher (M).
7. Remove harness (N) from clamp (J).



Go on to Sheet 3

**NIGHT VIEWER POWER REPLACEMENT(Sheet 3 of 7)**

8. Using socket, remove screw (P) and lockwasher (Q) securing clamp (R), periscope ground lead (S), and lockwasher (T) to commander's reader's overhead crossbeam (U).
9. Remove clamp (R) from harness (N).

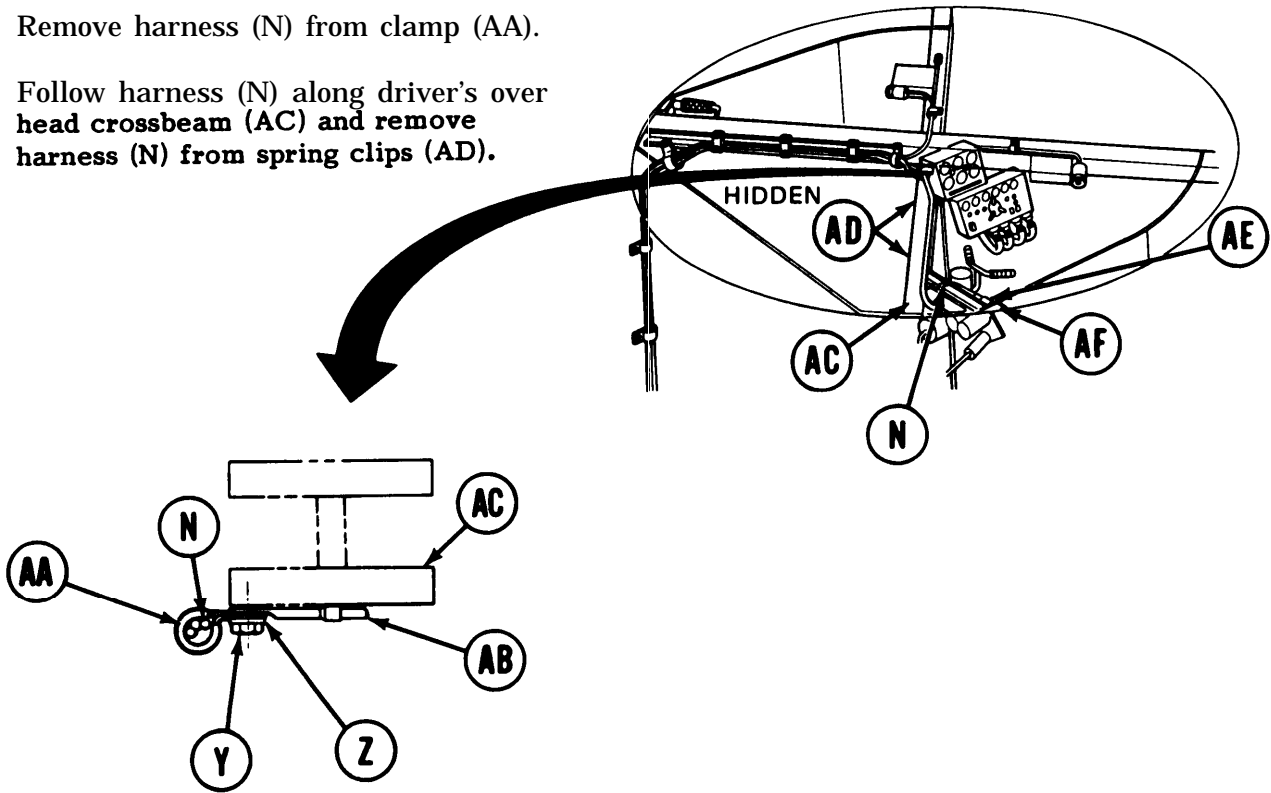


10. Follow harness (N) along commander's overhead crossbeam (U) and remove harness (N) from spring clips (V).
11. Disconnect harness connector (W) from stowage connector (X).

Go on to Sheet 4

NIGHT VIEWER HARNESS REPLACEMENT (Sheet 4 of 7)

12. Using socket, remove screw (Y) and lockwasher (Z) securing clamp (AA) and periscope ground lead (AB) to driver's overhead crossbeam (AC).
13. Remove harness (N) from clamp (AA).
14. Follow harness (N) along driver's overhead crossbeam (AC) and remove harness (N) from spring clips (AD).



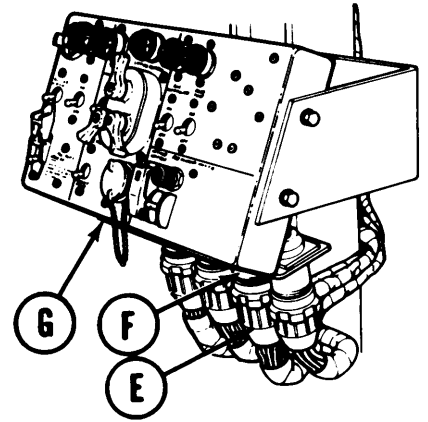
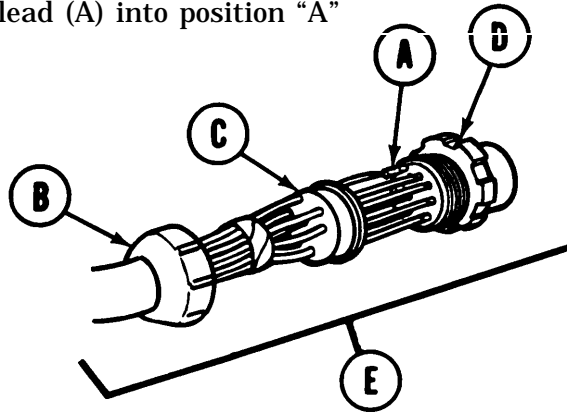
15. Disconnect harness connector (AE) from stowage connector (AF).
16. Remove harness (N) from vehicle.

Go on to Sheet 5

## NIGHT VIEWER POWER HARNESS REPLACEMENT

### INSTALLATION:

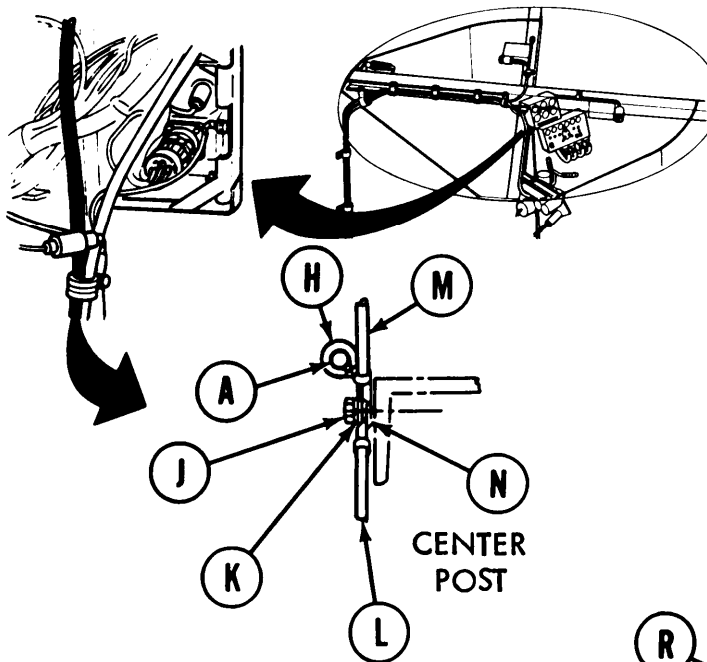
1. Position harness in vehicle and thread lead (A) with pin through jamnut (B) and bushing (C).
2. Insert pin of lead (A) into position "A" of insert (D).



3. Push bushing (C) up against insert (D).
4. Thread jamnut (B) onto insert (D).
5. Using spanner wrench, connect harness connector (E) to master control panel (G).

Go on to Sheet 6

NIGHT VIEWER POWER HARNESS REPLACEMENT (Sheet 6 of 7)

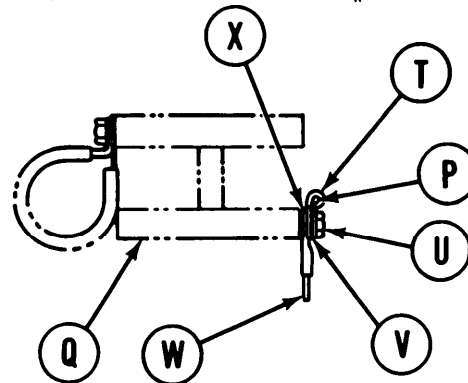
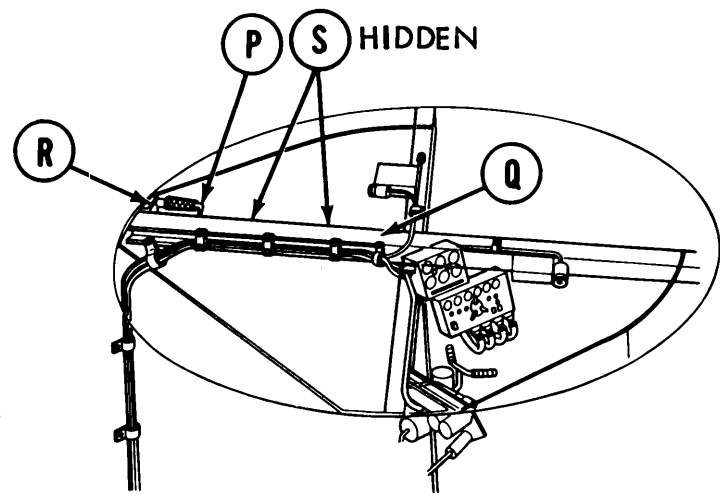


Route lead (A) along existing harnesses to centermost.

Install clamp (H) onto lead (A).

Using socket, install screw (J) and new lockwasher (K) to secure clamp (H), two ground leads (L and M), and new lockwasher (N) to centerpost.

9. Route short leg of harness (P) along commander's overhead crossbeam (Q) and connect it to stowage connector (R).
10. Insert harness into two spring clips (S).
11. Install clamp (T) onto harness (P).
12. Using socket, install screw (U) and new lockwasher (V) to secure clamp (T), periscope ground lead (W), and lockwasher (X) to commander's overhead crossbeam (Q).

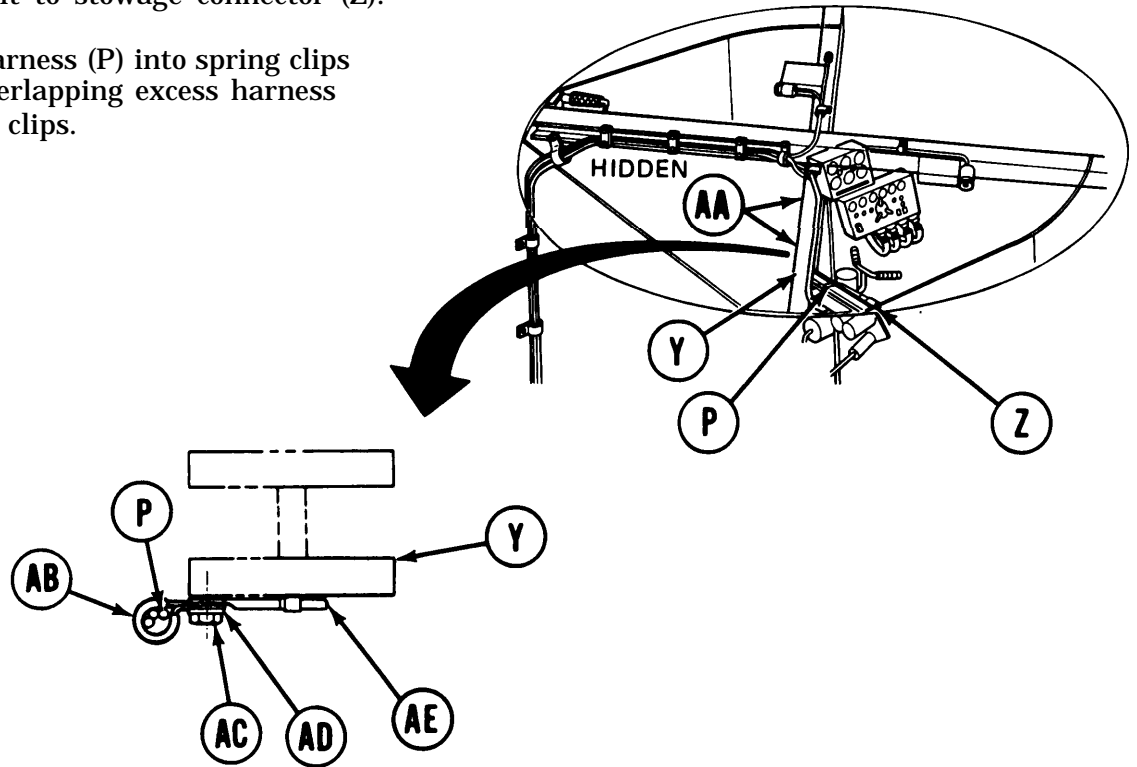


Go on to Sheet 7



**NIGHT VIEWER POWER HARNESS REPLACEMENT (Sheet 7 of 7)**

13. Route long leg of harness (P) along driver's overhead crossbeam (Y) and connect it to stowage connector (Z).
14. Insert harness (P) into spring clips (AA), overlapping excess harness between clips.



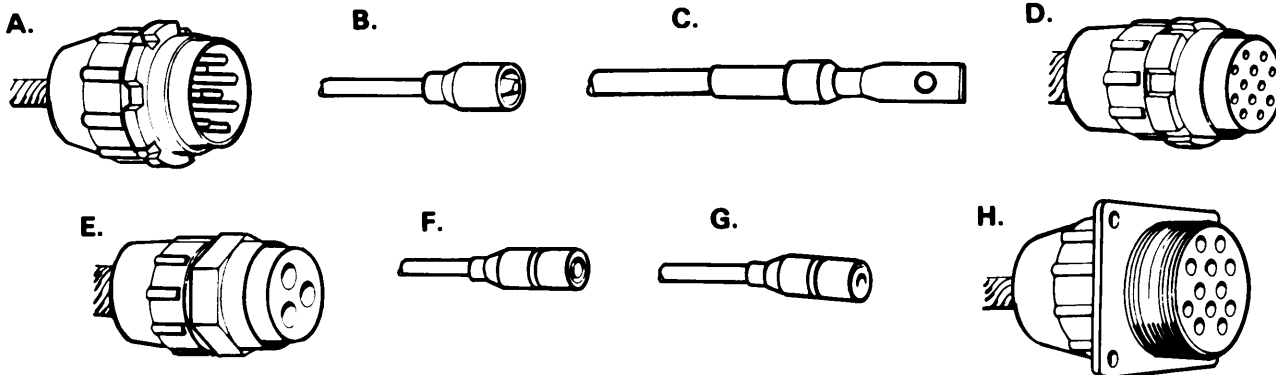
15. Insert harness (P) into clamp (AB).
16. Using socket, install screw (AC) and new lockwasher (AD) to secure clamp (AB) and periscope ground lead (AE) to driver's overhead crossbeam (Y).

End of Task

ELECTRICAL WIRING HARNESS AND CABLE CONNECTOR REPAIR (Sheet 1 of 18)

PROCEDURE INDEX PAGE

A.	Male Plug Repair	10-299
B.	Male Connector Repair	10-302
C.	Terminal Connector Repair	10-303
D.	Female Plug Repair	10-305
E.	Female Plug Repair	10-308
F.	Female Connector With Washer (12 Gage Cable) Repair	10-311
G.	Female Connector With Sleeve (14 and 16 Gage Cable) Repair	10-312
H.	Female Receptacle Repair	10-313



**WARNING**

Some wiring harness and cables are hot even if MASTER BATTERY switch is set to OFF. Make sure the three battery ground cable assemblies are disconnected before disconnecting any wiring harness or cable (page 10-268).

**NOTE**

When replacing a bad pin or contact, the opposite pin or contact at the other end of the cable must also be replaced. Do not disassemble the harness. Use a jumper wire of the same gage wire being replaced, cut to the length of the affected cable. When repairs to both connectors complete, tape the jumper wire to the outside of the cable with friction tape. The jumper wire should be taped at least every 6 to 8 inches, but in no case should any part of the wire be allowed to hang loose.

**NOTE**

After a plug, receptacle, or connector in the engine compartment has been repaired and the cable or jumper wire has been installed brush or spray the cable or jumper wire with electrical insulating compound. allow the compound to dry for about 24 hours before handling. the compound is an insulator of electricity, so care must be to to keep from overspraying the compound on contacting surfaces of wire terminals, connector pins or contacts, or similar parts where it will prevent the flow of electricity.

Go on to Sheet 2

**ELECTRICAL WIRING HARNESS AND CABLE CONNECTOR REPAIR (Sheet 2 of 18)**

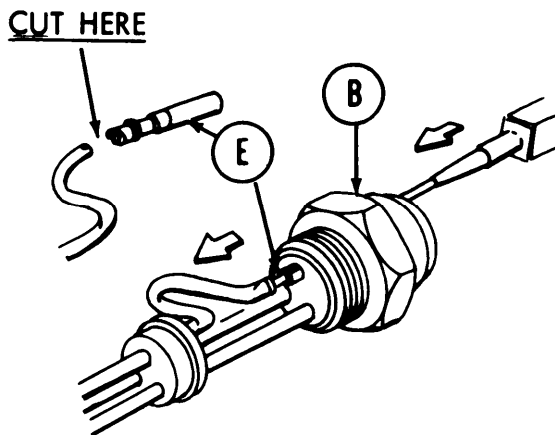
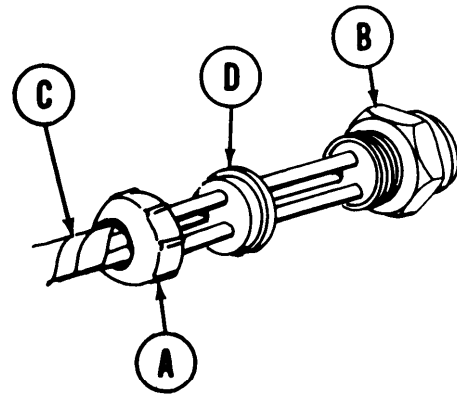
Male Plug Repair (Sheet 1 of 3)

**TOOLS:** Electrical connector repair tool kit  
Soldering gun  
Slip joint pliers with plastic jaw inserts  
Diagonal cutting pliers

**SUPPLIES:** Silicone compound (Item 32, Appendix D)  
Jumper wire  
Electrician's tape (Item 59, Appendix D)

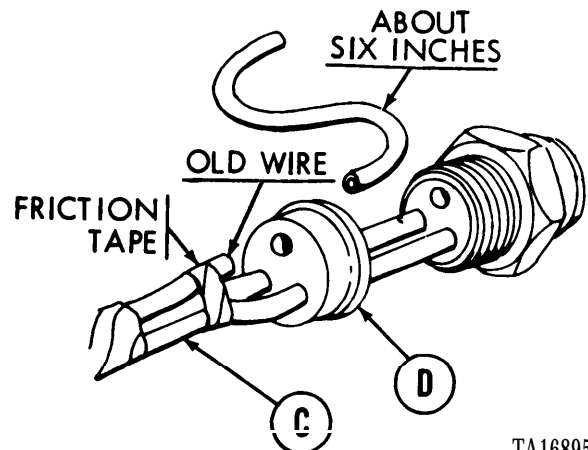
**PRELIMINARY PROCEDURES:** Disconnect three battery ground straps (page 10-268)  
Loosen or remove cable clamps as required  
Disconnect connectors at each end of affected cable

1. Manually remove grommet retaining nut (A) from plug assembly (B).
2. Slide grommet retaining nut (A) back along cable (C).



3. Using slip joint pliers, work grommet (D) back and forth and out of plug assembly (B).
4. Using remover, push contact (E) with damaged wire out of back of plug assembly (B).

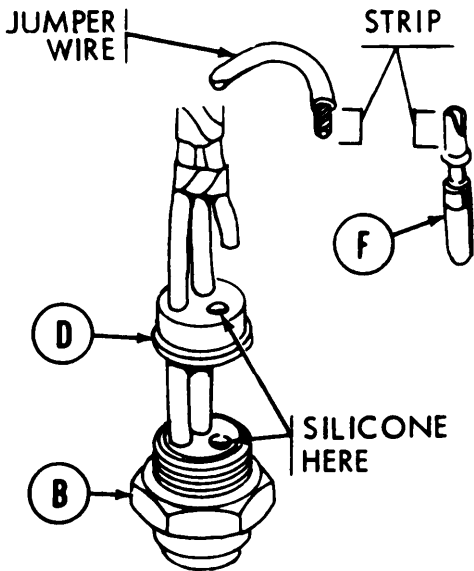
5. Using diagonal cutting pliers, cut wire from contact (E). Throw away contact (E).
6. Pulling cut wire out of grommet (D), use diagonal cutting pliers to shorten wire about 6 inches. Fasten end of cut wire to cable (C) with friction tape.



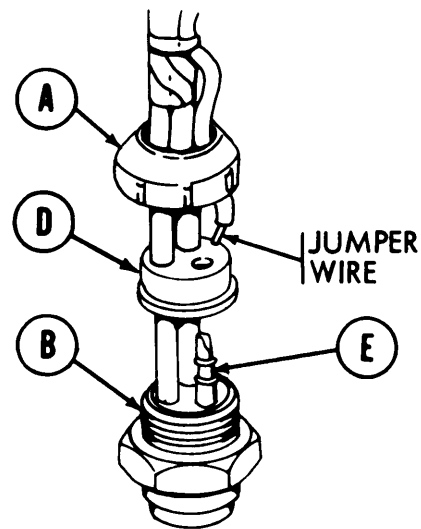
Go on to Sheet 2

TA168950

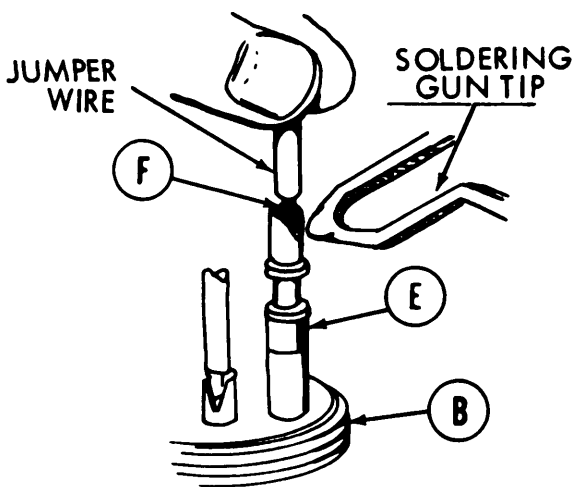
**ELECTRICAL WIRING HARNESS AND CABLE CONNECTOR REPAIR (Sheet 3 of 18)**  
**Male Plug Repair (Sheet 2 of 3)**



7. Using hand wire stripper, strip insulation from jumper wire equal to depth of contact solder well (F).
8. Placing connector face down on flat surface, apply a small amount of silicone to empty holes on back of plug assembly (B) and on front of grommet (D).



9. Push new contact (E) into hole in back of plug assembly (B) far enough so it will remain standing.
10. Push jumper wire end, first through grommet retaining-nut (A) and then through hole in grommet (D).

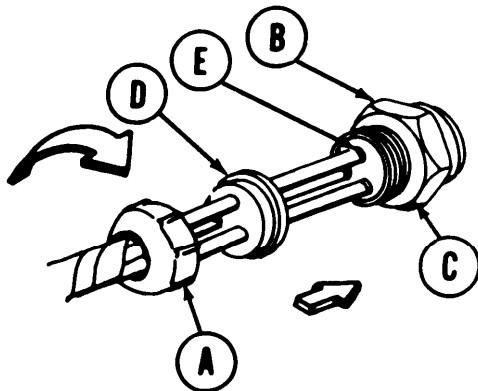
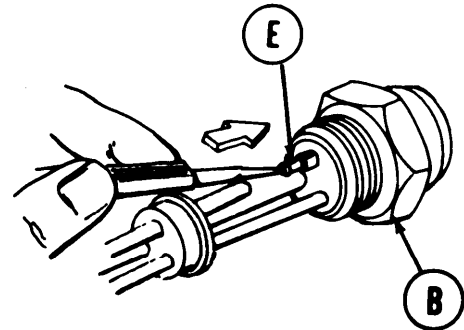


11. Hold jumper wire so wire end is pushing down on solder in contact solder well (F).
12. Hold soldering gun tip against side of contact (E) until solder begins to melt and wire slips into contact solder well (F).
13. Removing soldering gun from side of contact (E), continue holding wire until solder has cooled and set.

Go on to Sheet 3

**ELECTRICAL WIRING HARNESS AND CABLE CONNECTOR REPAIR (Sheet 4 of 18)**  
**Male Plug Repair (Sheet 3 of 3)**

14. Using remover, push contact (E) into plug assembly (B).



15. Sliding grommet (D) forward along cable (C), set grommet (D) firmly against contacts (E).

16. Manually thread grommet retaining nut (A) onto plug assembly (B).

17. Using multimeter, check continuity of repaired circuit.
18. Tighten or install cable clamps as required.
19. Connect connectors at each end of affected cable.
20. Connect three battery ground straps (page 10-268).

End of Task

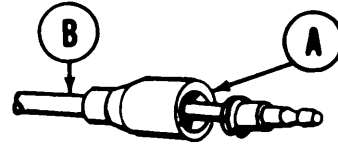
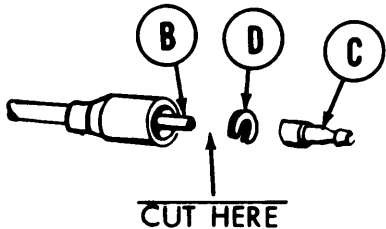
**ELECTRICAL WIRING HARNESS AND CABLE CONNECTOR REPAIR (Sheet 5 of 18)**  
**Male Connector Repair (Sheet 1 of 1)**

TOOLS: Electrical connector repair tool kit  
Diagonal cutting pliers

SUPPLIES: Silicone compound (Item 32, Appendix D)  
Electrician's tape (Item 59, Appendix D)

PRELIMINARY PROCEDURES: Disconnect three battery straps (page 10-268)

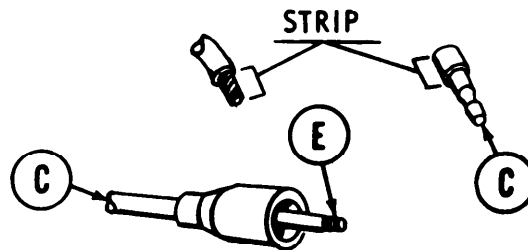
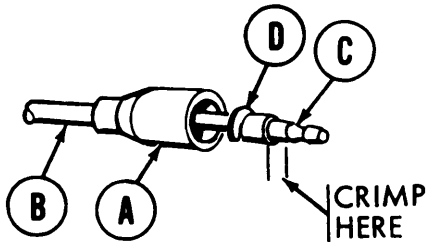
1. Slide shell (A) back along cable (B)



2. Using diagonal cutting pliers, cut terminal (C) and C-washer (D) from cable (B). Throw terminal (C) and C-washer (D) away.

3. Using hand wire stripper, strip insulation from cable (B) equal to well depth in terminal (C).

4. Insert stripped cable end (E) into well in terminal (C).



5. Using crimping tool, crimp terminal (C).
6. Push new C-washer (D) onto cable (B) at rear of terminal (C).

7. Slide shell (A) forward along cable (B) until tight against C-washer (D).

8. Using multimeter, check continuity of repaired circuit.

9. Connect three battery ground straps (page 10-268).

End of Task

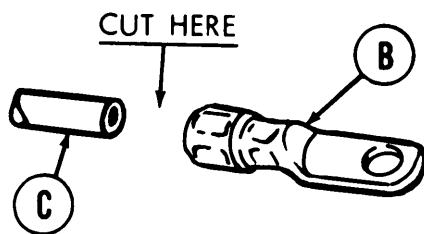
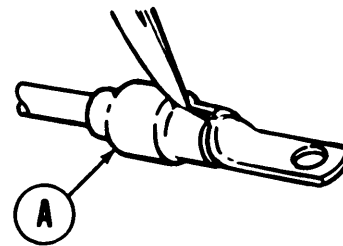
**ELECTRICAL WIRING HARNESS AND CABLE CONNECTOR REPAIR (Sheet 6 of 18)**  
**Terminal Connector Repair (Sheet 1 of 2)**

**TOOLS:** Electrical connector repair tool kit  
 Diagonal cutting pliers .  
 Heat gun  
 Pocket knife

**SUPPLIES:** Heat-shrink tubing (Item 60, Appendix D)  
 Terminal

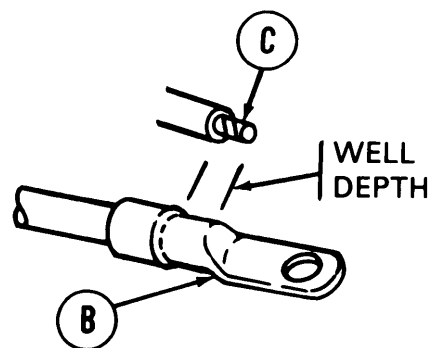
**PRELIMINARY PROCEDURES:** Disconnect three battery ground straps (page 10-268)  
 Loosen or remove cable clamps as required

- Using knife, slit heat-shrink tubing (A) along its entire length. Throw heat-shrink tubing (A) away.



- Using diagonal cutting pliers, cut terminal (B) from cable (C). Throw terminal (B) away.

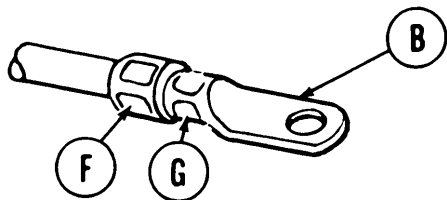
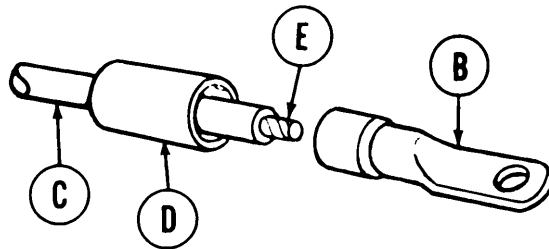
- Using hand wire stripper, strip insulation from cable (C) equal to well depth in terminal (B).



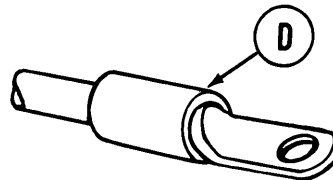
Go on to Sheet 2

**ELECTRICAL WIRING HARNESS AND CABLE CONNECTOR REPAIR (Sheet 7 of 18)**  
**Terminal Connector Repair (Sheet 2 of 2)**

4. Slide new heat-shrink tubing (D) onto and back along cable (C).
5. Slide new terminal (B) over stripped cable end (E) and onto cable (C).



6. Using crimping tool, crimp terminal (B) at



7. Slide heat-shrink tubing (D) over crimps (F and G).
8. Using heat gun, shrink tubing (D).
9. Using multimeter, check continuity of repaired circuit.
10. Tighten or install cable clamps as required.
11. Connect three battery ground straps (page 10-268).

End of Task



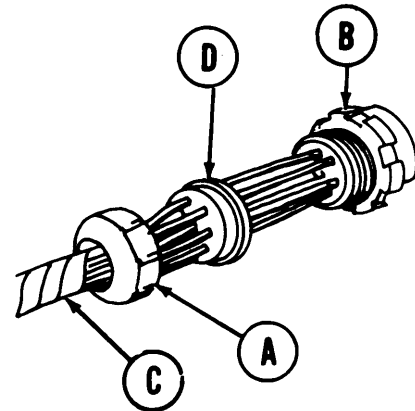
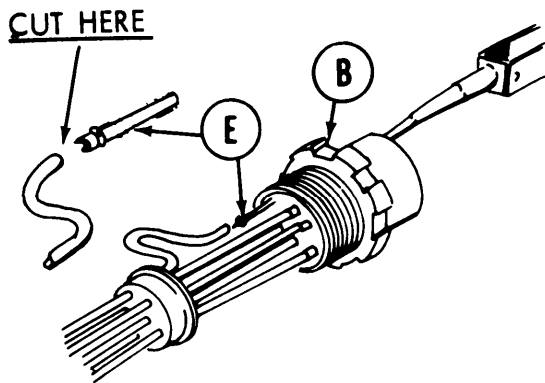
**ELECTRICAL WIRING HARNESS AND CABLE CONNECTOR REPAIR (Sheet 8 of 18)**  
**Female Plug Repair (Sheet 1 of 3)**

**TOOLS:** Electrical connector repair toolkit  
 Soldering gun  
 Slip joint pliers with plastic jaw inserts  
 Diagonal cutting pliers  
 Pocketknife

**SUPPLIES:** Silicone compound (Item 32, Appendix D)  
 Electrician's tape (Item 59, Appendix D)  
 Jumper wire

**PRELIMINARY PROCEDURES:** Disconnect three battery ground straps (page 10-268)  
 Loosen or remove cable clamps as required  
 Disconnect connectors at each end of affected cable

1. Manually remove grommet retaining nut(A) from plug assembly (B).
2. Slide grommet retaining nut (A) back along cable (C).



3. Using slip joint pliers, work grommet (D) back and forth and out of plug assembly (B).
4. Using remover, push contact (E) with damaged wire out of back of plug assembly (B).

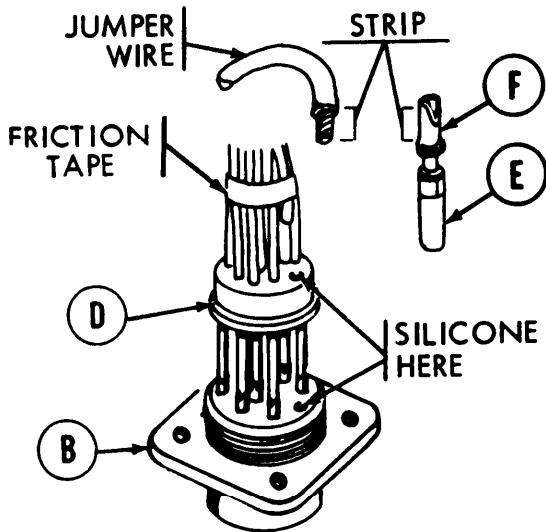
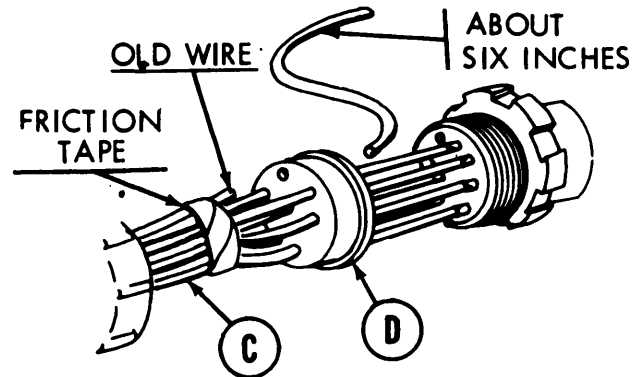
Go on to Sheet 2

TA168956

**ELECTRICAL WIRING HARNESS AND CABLE CONNECTOR REPAIR (Sheet 9 of 18)**

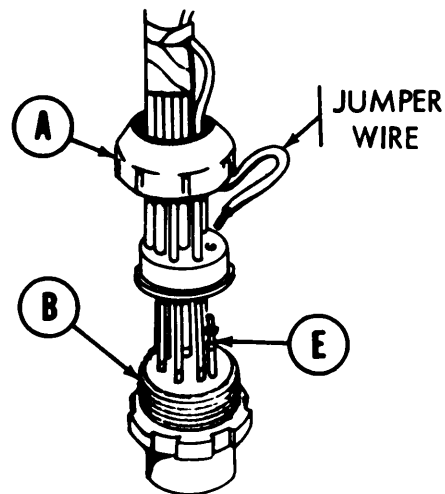
**Female Plug Repair (Sheet 2 of 3)**

5. Using diagonal cutting pliers, cut wire from contact (E). Throw away contact (E).
6. Pulling cut wire out of grommet (D), use diagonal cutting pliers to shorten wire about 6 inches. Fasten new end of cut wire to cable (C) and wrap with friction tape.



7. Using hand wire stripper, strip insulation from jumper wire equal to depth of contact solder well (F).
8. Placing connector face down on flat surface, apply a small amount of silicone to empty holes on back of plug assembly (B) and on front of grommet (D).

9. Push new contact (E) into hole in back of plug assembly (B) far enough so it will remain standing.
10. Push jumper wire end, first through grommet retaining nut (A) and then through hole in grommet (D).

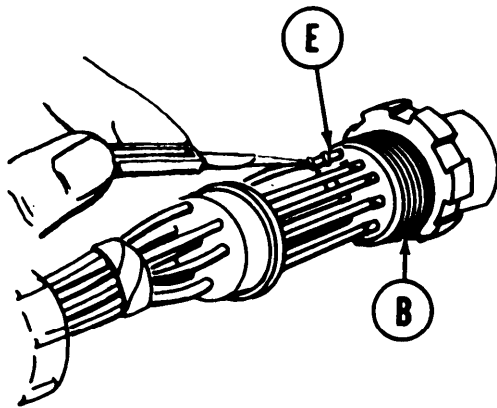
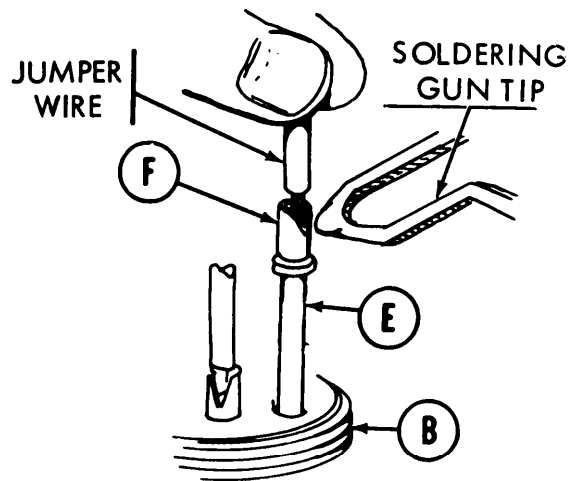


Go on to Sheet 3

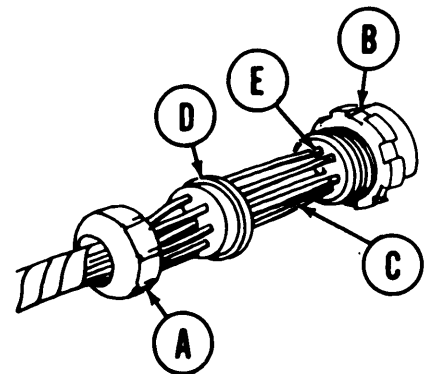
TA168957

**ELECTRICAL WIRING HARNESS AND CABLE CONNECTOR REPAIR (Sheet 10 of 18)**  
**Female Plug Repair (Sheet 3 of 3)**

11. Hold jumper wire so wire end is pushing down on solder in contact solder well (F).
12. Hold soldering gun tip against side of contact (E) until solder begins to melt and wire slips into contact solder well (F).
13. Removing soldering gun from side of contact (E), continue holding wire until solder has cooled and set.



14. Using remover, push contact (E) into plug assembly (B).



15. Sliding grommet (D) forward along cable (C), set grommet (D) firmly against contacts (E).
16. Manually thread grommet retaining nut (A) onto plug assembly (B).
17. Using multimeter, check continuity of repaired circuit.
18. Tighten or install cable clamps as required.
19. Connect connectors at each end of affected cable.
20. Connect three battery ground straps (page 10-268).

End of Task

**ELECTRICAL WIRING HARNESS AND CABLE CONNECTOR REPAIR (Sheet 11 of 18)**

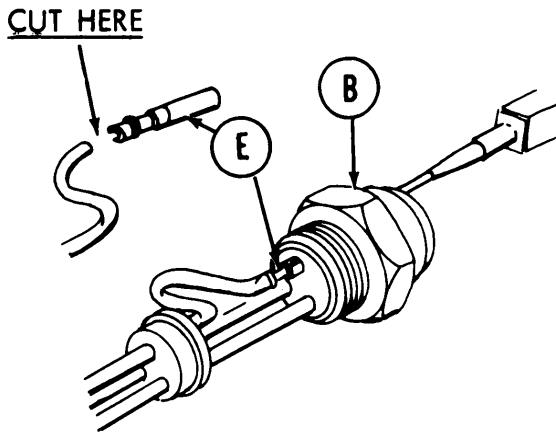
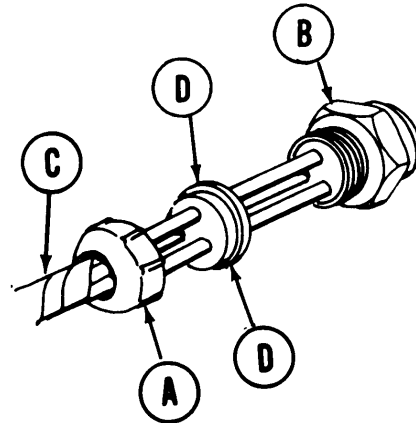
**Female Plug Repair (Sheet 1 of 3)**

**TOOLS:** Electrical connector repair tool kit  
Soldering gun  
Slip joint pliers with plastic jaw inserts  
Diagonal cutting pliers

**SUPPLIES:** Silicone compound (Item 32, Appendix D)  
Electrician's tape (Item 59, Appendix D)  
Jumper wire

**PRELIMINARY PROCEDURES:** Disconnect three battery ground straps (page 10-268)  
Loosen or remove cable clamps as required  
Disconnect connectors at each end of affected cable

1. Manually remove grommet retaining nut (A) from plug assembly (B).
2. Slide grommet retaining nut (A) back along cable (C).



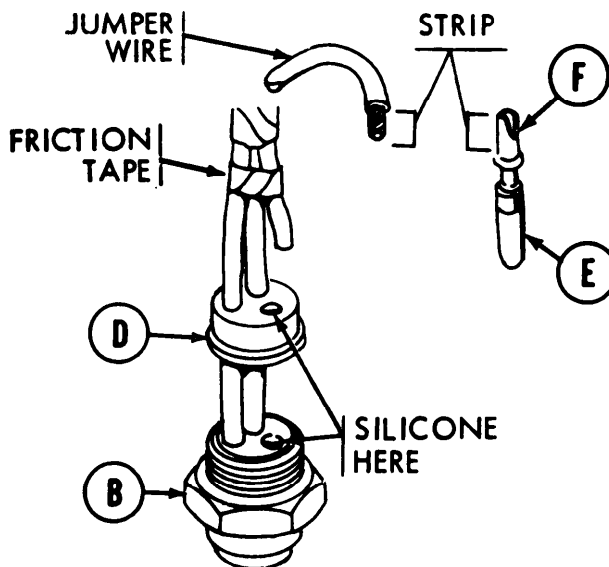
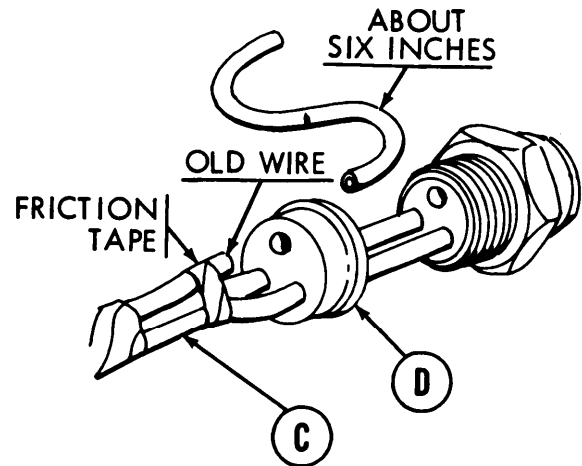
3. Using slip joint pliers, work grommet (D) back and forth and out of plug assembly (B).
4. Using remover, push contact (E) with damaged wire out of back of plug assembly (B).

**ELECTRICAL WIRING HARNESS AND CABLE CONNECTOR REPAIR (Sheet 12 of 18)**

**Female Plug Repair (Sheet 2 of 3)**

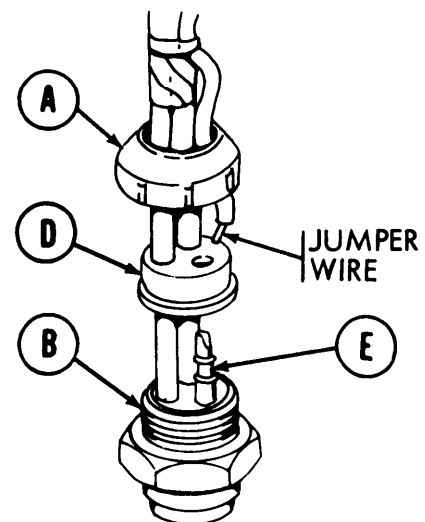
- Using diagonal cutting pliers, cut wire from contact (E). Throw away contact (E).

Pulling cut wire out of grommet (D), use diagonal cutting pliers to shorten wire about 6 inches. Fasten new end of cut wire to cable (C) and wrap with friction tape.



- Using hand wire stripper, strip insulation from jumper wire equal to depth of contact solder well (F).
- Placing connector face down on flat surface, apply a small amount of silicone to empty holes on back of plug assembly (B) and on front of grommet (D).

- Push new contact (E) into hole in back of plug assembly (B) far enough so it will remain standing.
- Push jumper wire end, first through grommet retaining nut (A) and then through hole in grommet (D).

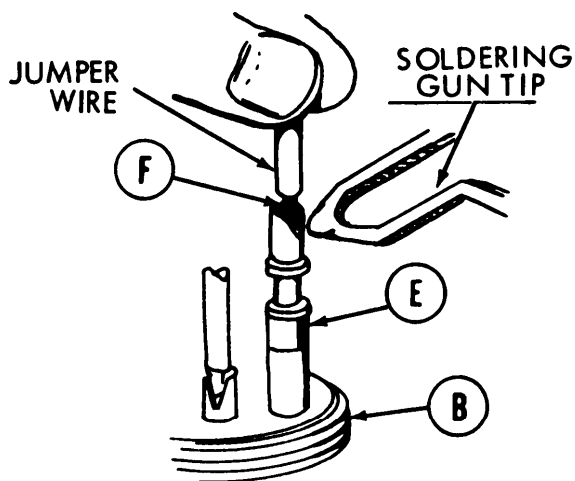


Go on to Sheet 3

TA168960

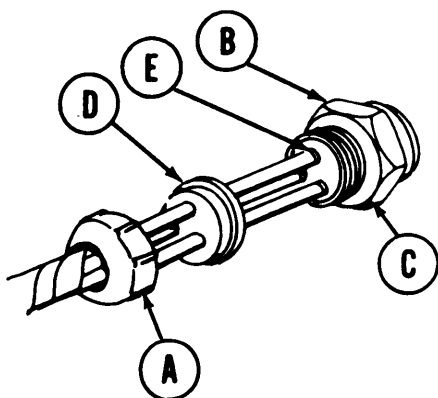
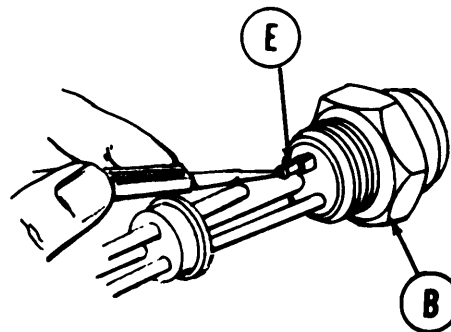
**ELECTRICAL WIRING HARNESS AND CABLE CONNECTOR REPAIR (Sheet 18)**

**Female Plug Repair (Sheet 3 of 3)**



11. Hold jumper wire so wire end is pushing down on solder in contact solder well (F).
12. Holding soldering gun tip against side of contact (E) until solder begins to melt and wire slips into contact solder well (F).
13. Removing soldering gun from side of contact (E), continue holding wire until solder has cooled and set.

14. Using remover, push contact (E) into plug assembly (B).



15. Sliding grommet (D) forward along cable (C), set grommet (D) firmly against contacts (E).
16. Manually thread grommet retaining nut (A) onto plug assembly (B).

17. Using multimeter, check continuity of repaired circuit.
18. Tighten or install cable clamps as required.
19. Connect connectors at each end of affected cable.
20. Connect three battery ground straps (page 10-268).

End of Task

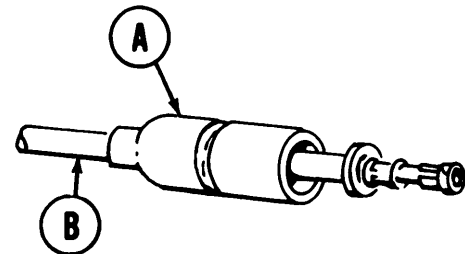
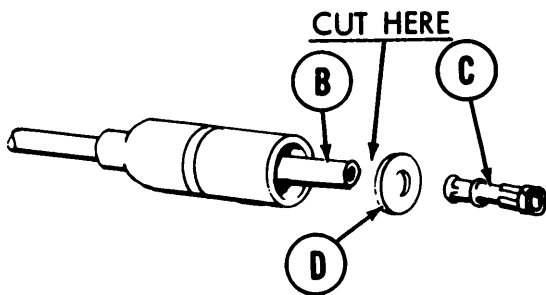
**ELECTRICAL WIRING HARNESS AND CABLE CONNECTOR REPAIR (Sheet 14 of 18)**  
**Finale Connector With Washer (12 Gauge Cable) Repair (Sheet 1 of 1)**

**TOOLS:** Electrical connector repair tool kit  
 Diagonal cutting pliers

**SUPPLIES:** Silicone compound (Item 32, Appendix D)

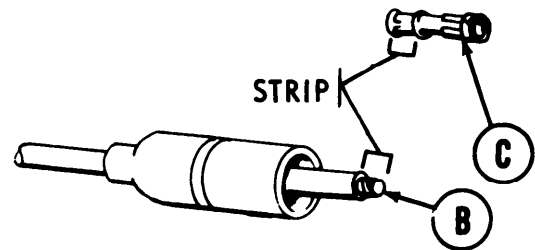
**PRELIMINARY PROCEDURES:** Disconnect three battery ground straps (page 10-268)  
 Loosen or remove cable clamps as required

1. Slide shell (A) back along cable (B).

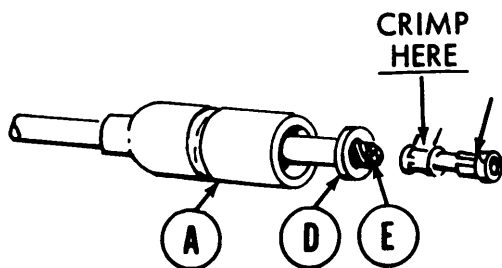


2. Using diagonal cutting pliers, cut terminal (C) and washer (D) from cable (B). Throw terminal (C) and washer (D) away.

3. Using hand wire stripper, strip insulation from cable (B) equal to well depth in terminal (C).



4. Slide new washer (D) onto stripped cable end (E) back to cable insulation.



5. Insert stripped cable end (E) into well in terminal (C).
6. Using crimping tool, crimp terminal (C).

7. Slide shell (A) forward until tight against washer (D).

8. Using multimeter, check continuity of repaired circuit.

- 9\* Tighten or install cable clamps as required.

10. Connect three battery ground straps (page 10-268).

End of Task

TA168962

**ELECTRICAL WIRING HARNESS AND CABLE CONNECTOR REPAIR (Sheet 15 of 18)**

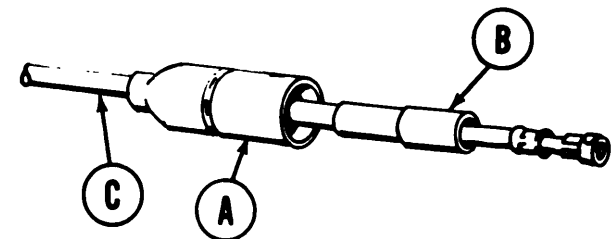
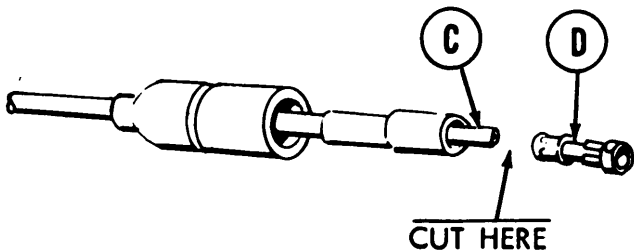
**Female Connector With Sleeve (14 and 16 Gauge Cable) Repair (Sheet 1 of 1)**

TOOLS: Electrical connector repair tool kit  
Diagonal cutting pliers

SUPPLIES: Silicone compound (Item 32, Appendix D)

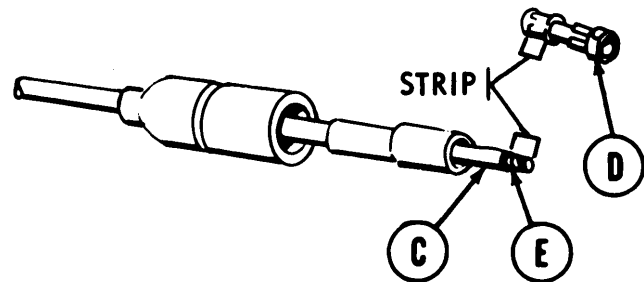
PRELIMINARY PROCEDURES: Disconnect three battery ground straps (page 10-268)  
Loosen or remove cable clamps as required

1. Slide shell (A) and sleeve (B) back along cable (C).

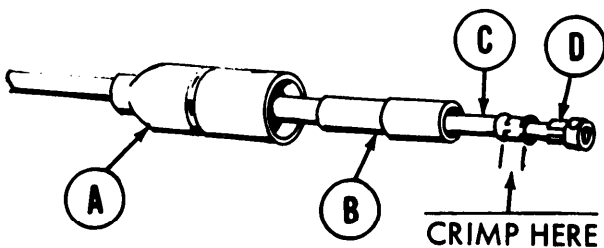


2. Using diagonal cutting pliers, cut terminal (D) from cable (C).  
Throw terminal (D) away.

3. Using hand wire stripper, strip insulation from cable (C) equal to well depth in terminal (D).



4. Insert stripped cable end (E) into well in terminal (D).



5. Using crimping tool crimp terminal (D).
6. Slide sleeve (B) forward along cable (C) until tight against terminal (D).

7. Slide shell (A) forward along cable (C) until tight against sleeve (B).
8. Using multimeter, check continuity of repair circuit.
9. Tighten or install cable clamps as required.
10. Connect three battery ground straps (page 10-268).

End of Task

TA168963



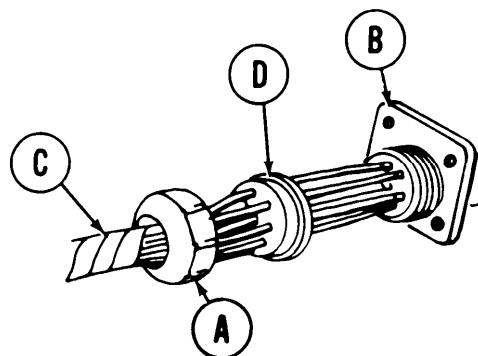
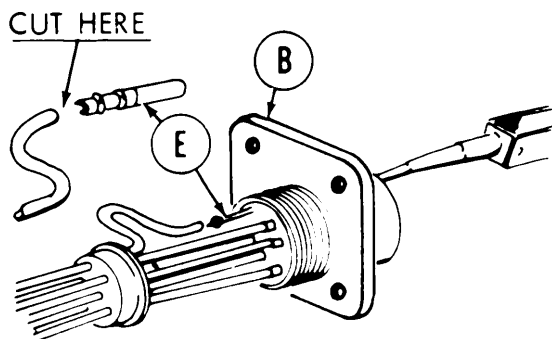
**ELECTRICAL WIRING HARNESS AND CABLE CONNECTOR REPAIR (Sheet 16 of 18)**  
**Female Receptacle Repair (Sheet 1 of 3)**

**TOOLS:** Electrical connector repair tool kit  
 Soldering gun  
 Slip joint pliers with plastic jaw inserts  
 Diagonal cutting pliers  
 Pocket knife  
 Heat gun

**SUPPLIES:** Silicone compound (Item 32, Appendix D)  
 Heat-shrink tubing (Item 60, Appendix D)  
 Electrician's tape (Item 59, Appendix D)  
 Jumper wire

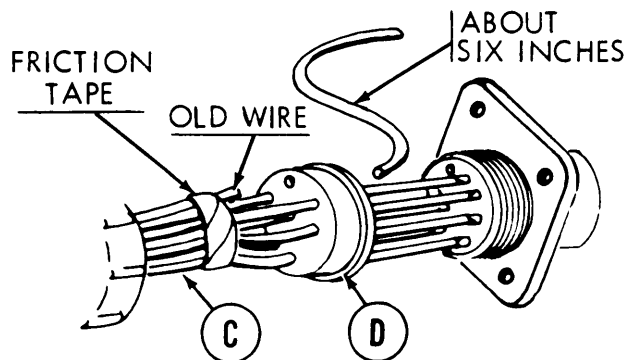
**PRELIMINARY PROCEDURES:** Disconnect three battery ground straps (page 10-268)  
 Loosen or remove cable clamps as required  
 Disconnect connectors at each end of affected cable

1. Manually remove grommet retaining nut (A) from plug assembly (B).
2. Slide grommet retaining nut (A) back along cable (C).



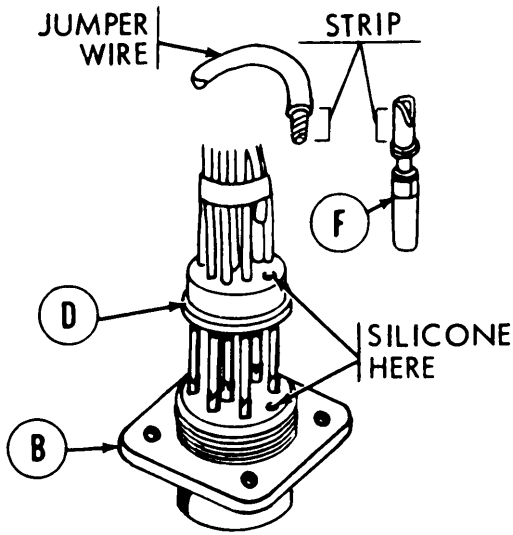
3. Using slip joint pliers, work grommet (D) back and forth and out of plug assembly (B).
4. Using remover, push contact (E) with damaged wire out of back of plug assembly (B).

5. Using diagonal cutting pliers, cut wire from contact (E). Throw away contact (E).
6. Pulling cut wire out of grommet (D), use diagonal cutting pliers to shorten wire about 6 inches. Fasten new end of cut wire to cable (C) with friction tape.



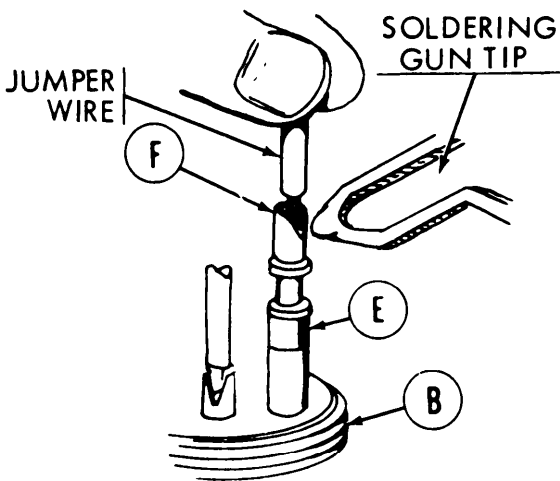
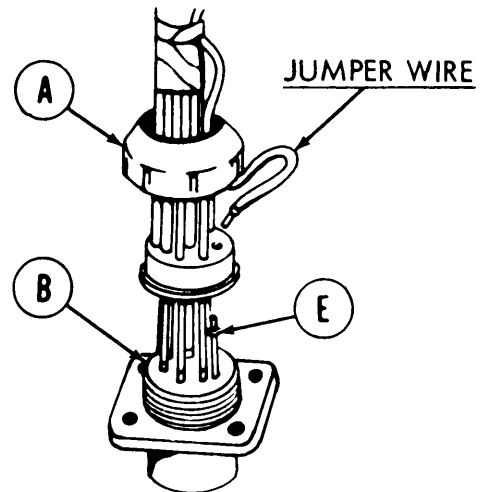
Go on to Sheet 2

**ELECTRICAL WIRING HARNESS AND CABLE CONNECTOR REPAIR (Sheet 17 of 18)**  
**Female Receptacle Repair (Sheet 2 of 3)**



7. Using hand wire stripper, strip insulation from jumper wire equal to depth of contact solder well (F).
8. Placing connector face down on flat surface, apply a small amount of silicone to empty holes on back of plug assembly (B) and on front of grommet (D).

9. Push new contact (E) into hole in back of plug assembly (B) far enough so it will remain standing.
10. Push jumper wire end, first through groin met retaining nut (A) and then through hole in grommet (D).



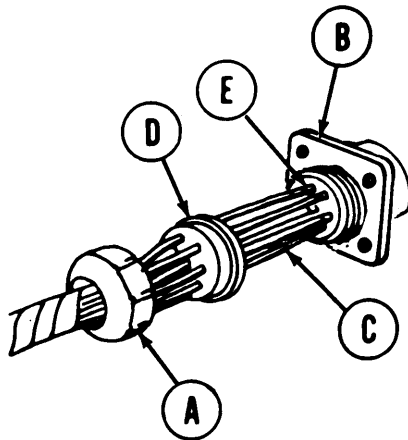
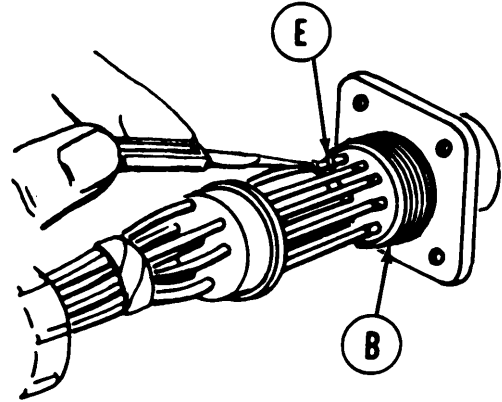
11. Hold jumper wire so wire end is pushing down into solder in contact solder well (F).
12. Hold soldering gun tip against side of contact (E) until solder begins to melt and wire slips into contact solder well (F).
13. Removing soldering gun from side of contact (E), continue holding wire until solder has cooled and set.

Go on to Sheet 3

TA168965

**ELECTRICAL WIRING HARNESS AND CABLE CONNECTOR REPAIR (Sheet 18 of 18)**  
**Female Receptacle Repair (Sheet 3 of 3)**

14. Using remover, push contact (E) into plug assembly (B).



15. Sliding grommet (D) forward along cable (C), set grommet (D) firmly against contacts (E).
16. Manually thread grommet retaining nut (A) onto plug assembly (B).

17. Using multimeter, check continuity of repaired circuit
18. Tighten or install cable clamps as required.
19. Connect connectors at each end of affected cable.
20. Connect three battery ground straps (page 10-268).

End of Task

**FUEL TANK CAPACITOR AND HOUSING ASSEMBLY REPLACEMENT (RIGHT)**  
 (Sheet 1 of 5)

PROCEDURE INDEX

PROCEDURE	PAGE
Removal	10-316
Cleaning and Inspection	10-318
Installation	10-318

TOOLS: Flat-tip screwdriver  
 Diagonal cutting pliers  
 Slip-joint pliers  
 Putty knife  
 1/2 in. socket with 1/2in. drive  
 Ratchet with 1/2in. drive  
 Torque wrench with 1/2 in. drive (0-175 lb-ft)

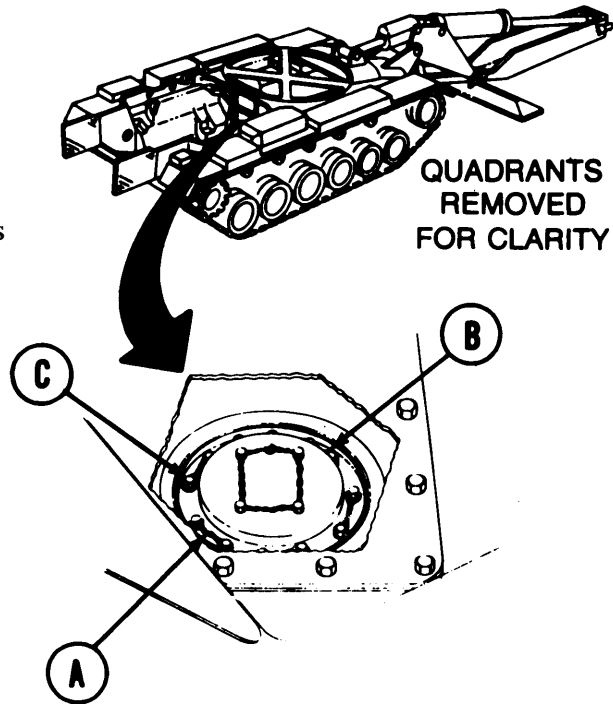
SUPPLIES: Lockwire (Item 61, Appendix D)  
 Gasket (10873918)  
 Gasket (10864012)  
 Gasket (10870952) (4 required)  
 Lint-free cloth (Item 12, Appendix D)  
 Dry cleaning solvent (Item 55, Appendix D)

REFERENCE: TM 5-5420-226-10

PRELIMINARY PROCEDURES: Remove powerplant (page 5-2)  
 Drain right fuel tank (TM 5-5420-226-10)  
 Remove floor access cover (page 17-7)

REMOVAL:

- Using cutting pliers, remove lockwire (A) from fuel pump cover (B).
- Using socket, remove 12 screws and washers (C) securing cover (B)

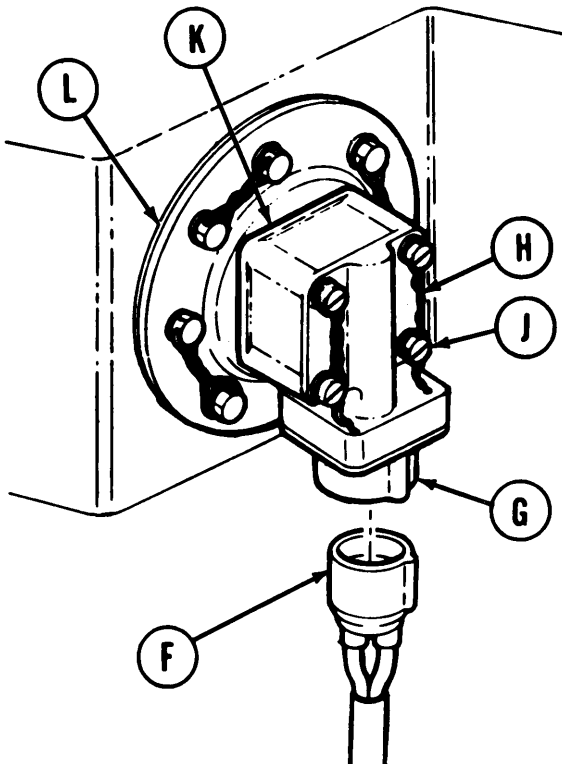
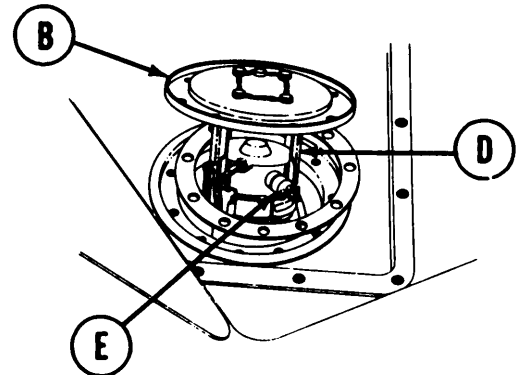


Go on to Sheet 2

TA168967

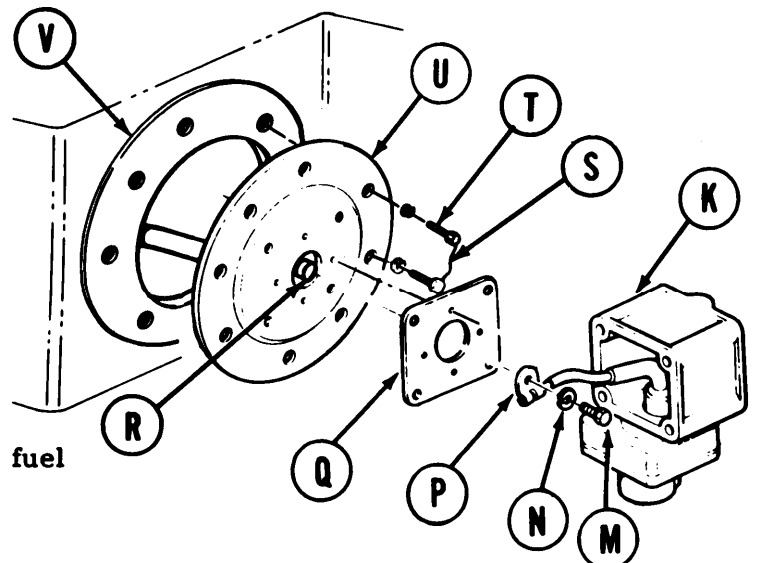
**FUEL TANK CAPACITOR AND HOUSING ASSEMBLY REPLACEMENT (RIGHT)**  
**(Sheet 2 of 5)**

3. Lift cover (B) with fuel pump (D) from tank-
4. Using fingers, disconnect cable (E) from fuel pump (D) by pulling out.
5. Rest cover (B) in original position on fuel tank.



6. Using fingers, disconnect cable (F) from electrical connector (G) by pulling out.
7. Using diagonal pliers, remove lockwire (H) from screws (J).
8. Using screwdriver, remove four screws and washers (J) holding housing (K) to cover (L).
9. Slowly separate capacitor and housing (K) from cover (L). Capacitor and housing (K) are connected to cover (L) with an electrical lead.

10. Using screwdriver, remove screw (M), washer (N), electrical lead (P) and gasket (Q) from adapter (R). Discard gasket.
11. Using cutting pliers, remove lockwire (S) from screws (T).
12. Using socket, remove eight screws and washers (T).
13. Remove cover (U) and gasket (V) from fuel tank. Discard gasket.



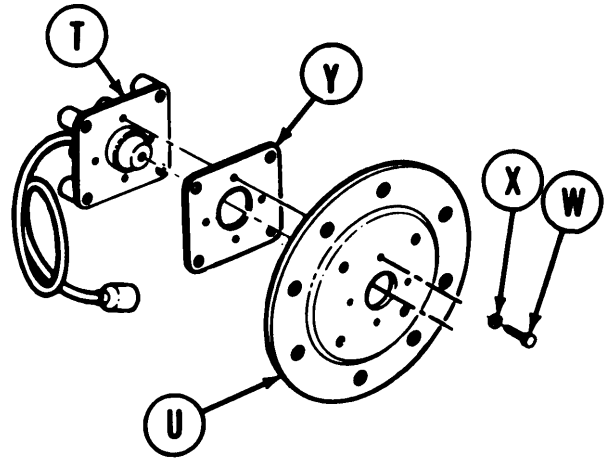
Go on to Sheet 3

TA168968

**FUEL TANK CAPACITOR AND HOUSING ASSEMBLY REPLACEMENT (RIGHT)**

(Sheet 3 of 5)

14. Using screwdriver, remove four screws (W) and washers (X) from cover (U) and adapter (T).
15. Separate cover (U), gasket (Y), and adapter (T). Discard gasket (Y).



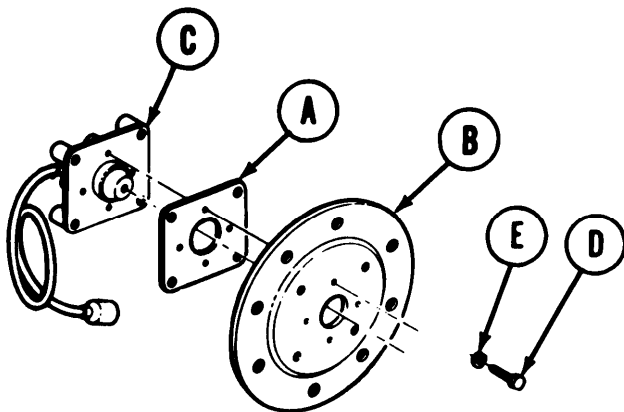
**CLEANING AND INSPECTION:**

1. Using putty knife, clean all areas where gaskets were mounted.

**WARNING**

Cleaning agent specified is flammable. Use only in well ventilated areas. Keep away from flames, sparks, or heat. Do not smoke while using. Prevent contact with eyes, mouth and/or skin. Wear rubber gloves when performing cleaning procedures.

2. Using dry cleaning solvent and lint-free cloth, wipe gasket surfaces clean.
3. Inspect cable, adapter and cover for damage. Replace damaged parts.



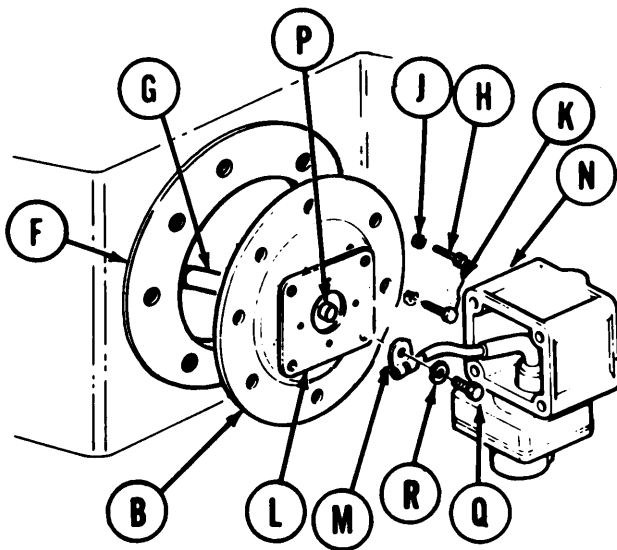
**INSTALLATION :**

1. Position new gasket (A), and cover (B) onto adapter (C).
2. Using screwdriver, install four screws (D) and washers (E) securing cover and gasket (A) to adapter (C).

Go on to Sheet 4

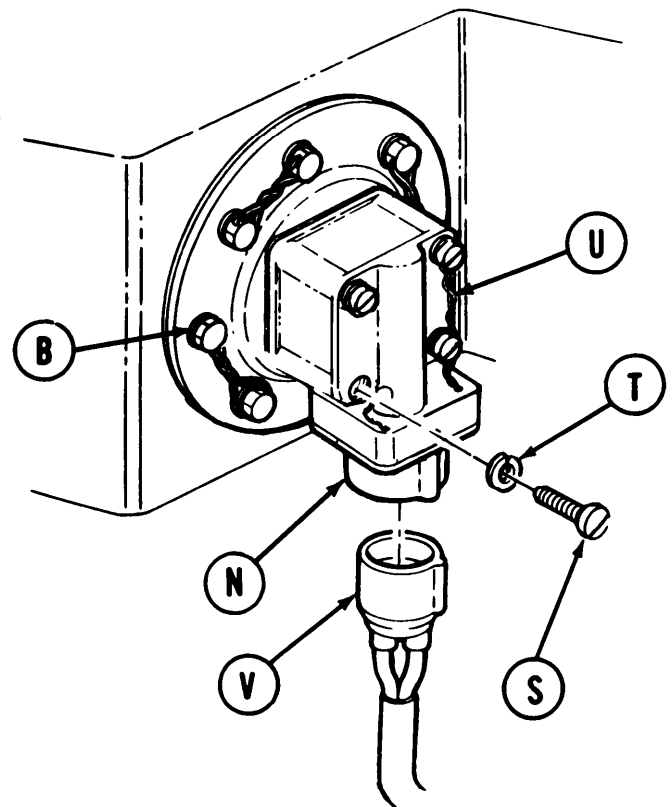
TA168969

**FUEL TANK CAPACITOR AND HOUSING ASSEMBLY REPLACEMENT (RIGHT)**  
**(Sheet 4 of 5)**



3. Position new gasket (F) between cover and fuel tank.
4. Position cable (G) attached to rear of cover (B) through gasket (F) and lay in fuel tank.
5. Using socket, install eight screws (H) and washers (J) securing cover (B) to fuel tank.
6. Using torque wrench, tighten screws (H) to 50 to 85 lb-in (6 to 10 N•m).
7. Using slip-joint pliers, install lockwire (K) through screws (H).

8. Position new gasket (L) to cover (B).
9. Using screwdriver, secure electrical lead (M) of housing and capacitor (N) to adapter (P) with screw (Q) and washer (R).
10. Position capacitor and housing (N) onto cover (B).
11. Using screwdriver, install four screws (S) and washers (T) securing capacitor and housing (N) to cover (B).
12. Install lockwire (U) onto screws (S).
13. Using fingers, install cable (V) into electrical connection on capacitor and housing (N) by pushing in.



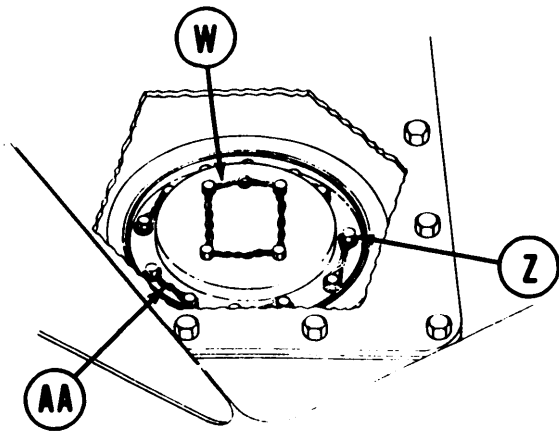
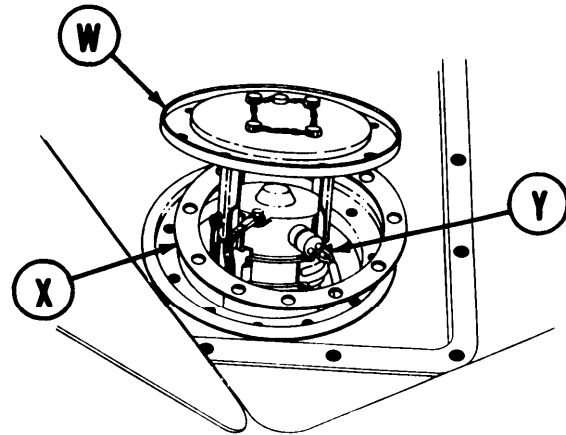
Go on to Sheet 5

TA168970

FUEL TANK CAPACITOR AND HOUSING ASSEMBLY REPLACEMENT (RIGHT)

(Sheet 5 of 5)

14. Lift cover (W) with attached fuel pump out of fuel tank and position new gasket (X) on mount.
15. Using hand, install cable onto fuel pump connector (Y) by pushing in and turning clockwise.
16. Position cover (W) on fuel tank.
17. Using socket, install 12 screws and washers (Z) securing cover (W) to tank.



18. Using torque wrench, tighten screws (Z).
19. Using pliers, install lockwire (AA) in 12 screws (Z).

20. Install access cover (page 17-8).
21. Install powerplant (page 5-14).
22. Service fuel tank (TM 5-5420-226-10).

End of Task

TA168971



FUEL TANK CAPACITOR AND HOUSING ASSEMBLY REPLACEMENT (LEFT) (Sheet 1 of 5)

PROCEDURE INDEX

PROCEDURES	PAGE
Removal	10-321
Installation	10-324

TOOLS: Flat-tip screwdriver Slip-joint pliers  
 Diagonal cutting pliers 1/2 in. socket with 1/2 in. v drive  
 Putty knife Ratchet with 1/2 in. drive  
 Torque wrench with 1/2 in. drive (0-175 lb-ft)

SUPPLIES: Dry cleaning solvent (Item 55, Appendix D) Gaskets (10864012)  
 Lint-free cloth (Item 12, Appendix D) Gasket (1870952) (3 required)  
 Lockwire (Item 61, Appendix D)

REFERENCE: TM 5-5420-226-10

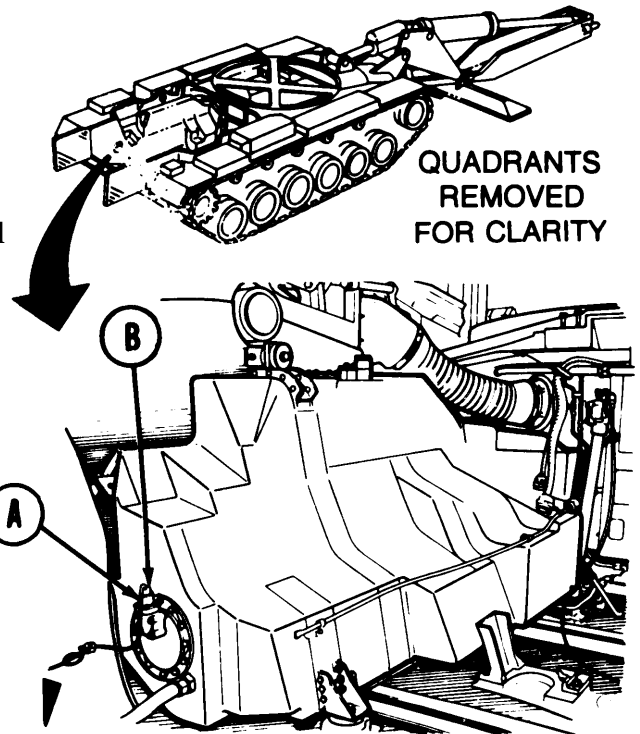
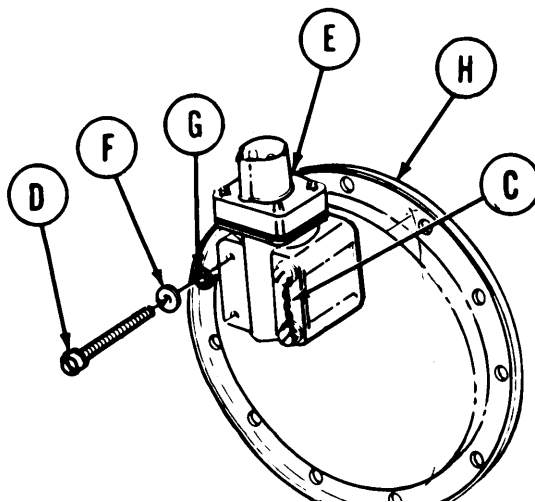
PRELIMINARY PROCEDURES: Remove powerplant (page 5-2).  
 Drain left fuel tank (TM 5-5420-226-10)

REMOVAL:

1. Remove electrical connector (A) from capacitor and housing electrical connector (B) by pulling out.
2. Using diagonal cutting pliers, remove lockwire (C) securing four screws(D) on capacitor and housing (E).

Using screwdriver, remove four screws (D), flat washers (F), and lockwasher (G) from capacitor and housing (E).

4. Slowly separate capacitor and housing(E) from cover(H). Capacitor and housing (E) are connected to cover (H) with an electrical lead.

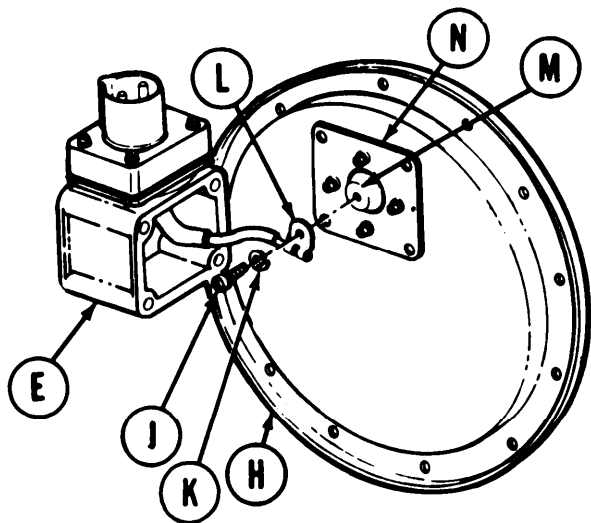


Go on to Sheet 2

TA168972

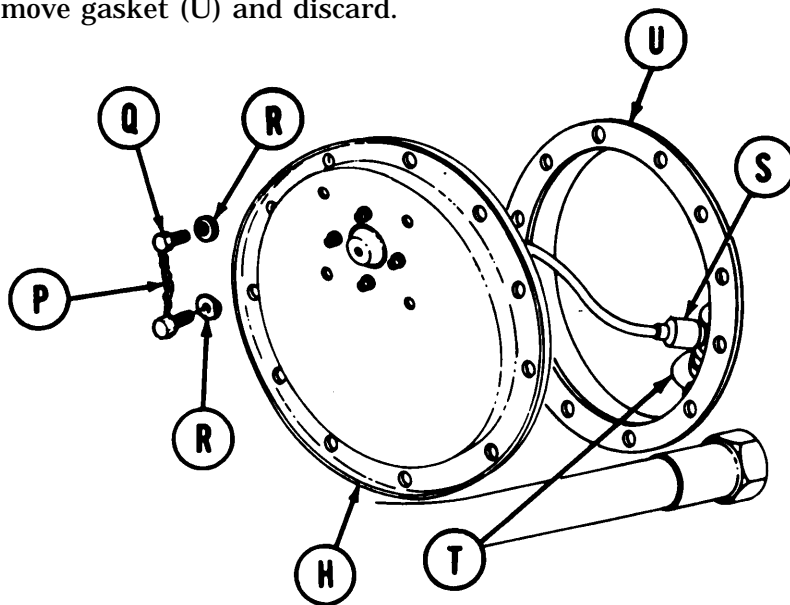
**FUEL TANK CAPACITOR AND HOUSING ASSEMBLY REPLACEMENT (LEFT)**  
**(Sheet 2 of 5)**

5. Using screwdriver, remove screw (J) and washer (K) securing electrical lead (L) to adapter (M).
6. Remove capacitor and housing (E) and gasket (N) from cover (H).
7. Using diagonal cutting pliers, remove lockwire (P) securing 12 screws (Q) on access cover (H).
8. Using socket, remove 12 screws (Q) and flat washers (R) securing cover (H) to fuel tank.



9. Slowly pull back access cover (H) to expose electrical lead (S) connecting rear of access cover (H) to fuel pump (T).

10. Using fingers, disconnect electrical lead (S) from fuel pump (T) by pushing them in then turning counterclockwise and pulling out.
11. Using putty knife, remove gasket (U) and discard.

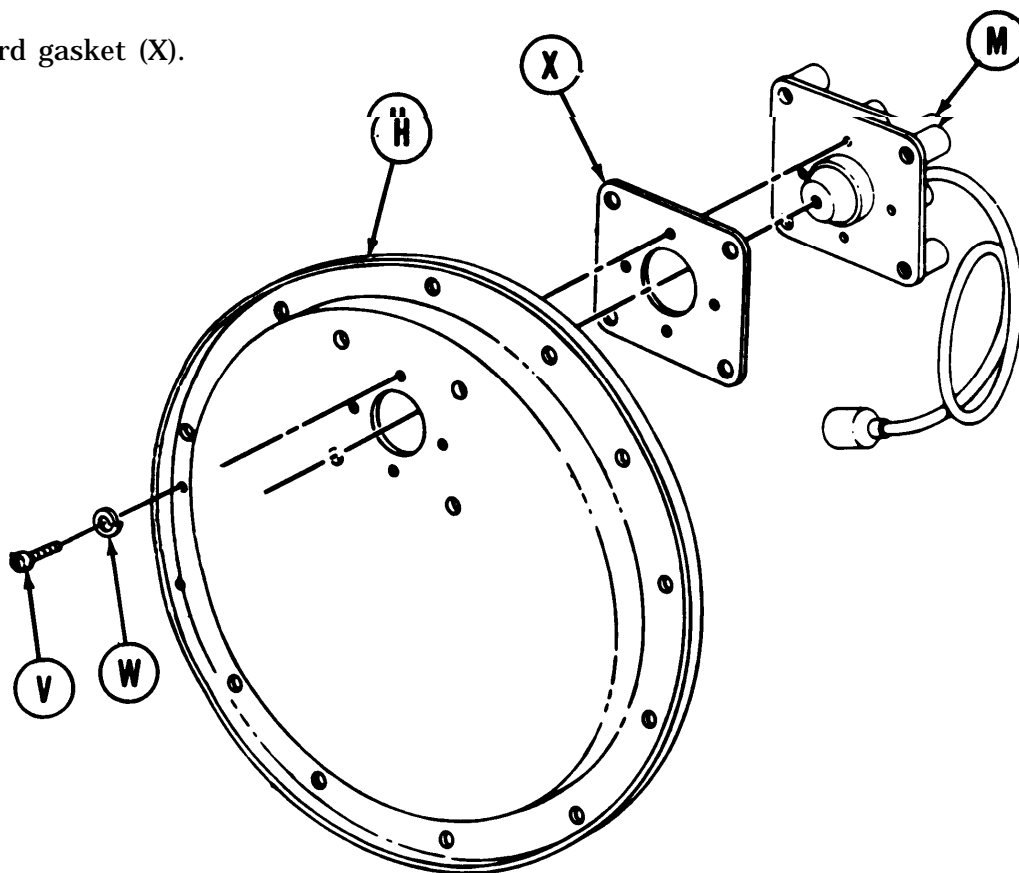


Go on to Sheet 3

TA168973

**FUEL TANK CAPACITOR AND HOUSING ASSEMBLY REPLACEMENT (LEFT)**  
**(Sheet 3 of 5)**

12. Using screwdriver, remove four screws (V) and lockwashers (W) from securing adapter (M) to cover (H). Separate cover (H), gasket (X) and adapter (M).
13. Discard gasket (X).



**CLEANING AND INSPECTION:**

1. Using putty knife, clean all areas where gaskets were mounted.

**WARNING**

Cleaning agent specified is flammable. Use only in well ventilated areas. Keep away from flames, sparks, or heat. Do not smoke while using. Prevent contact with eyes, mouth, and/or skin. Wear rubber gloves when performing cleaning procedures.

2. Using dry cleaning solvent and lint-free cloth, wipe gasket surface clear.
3. Inspect cable and adapter (M) and cover (H) for damage. Replace damaged parts.

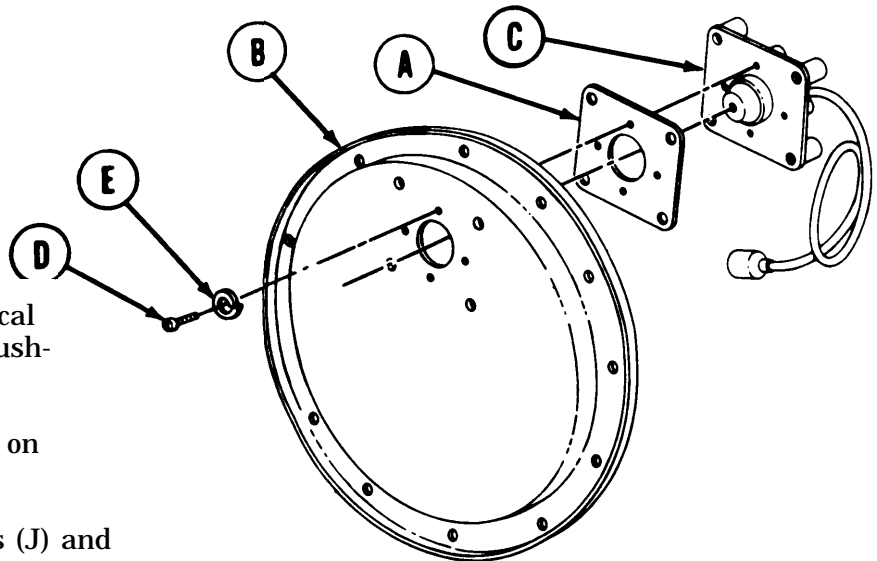
Go on to Sheet 4

TA168974

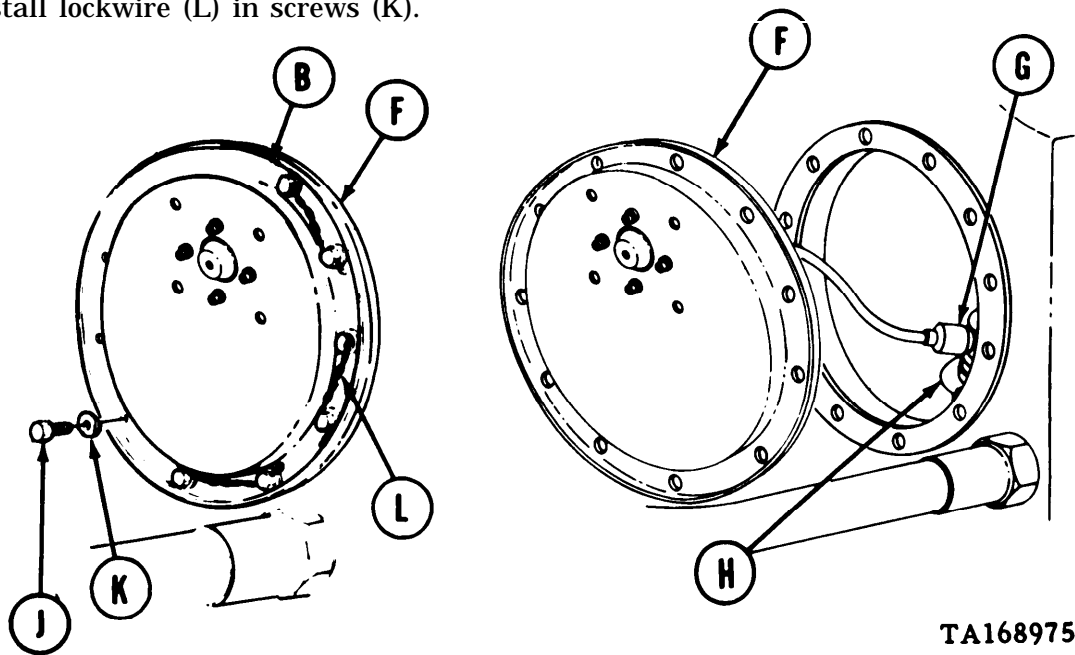
**FUEL TANK CAPACITOR AND HOUSING ASSEMBLY REPLACEMENT (LEFT)**  
**(Sheet 4 of 5)**

INSTALLATION:

1. Place new gasket (A), cover (B) and cable and adapter (C) in position.
2. Using screwdriver, install four screws (D) and lockwashers (E) securing gasket (A) and adapter (C) to cover (B).
3. Place gasket (F) over electrical lead (G).



4. Using fingers, connect electrical lead (G) to fuel pump (H) by pushing in and turning clockwise.
5. Place gasket (F) and cover (B) on fuel tank
6. Using socket, install 12 screws (J) and flat washers (K) securing cover (B) to fuel tank
7. Using torque wrench, tighten 12 screws (J) to 48 to 84 lb-ft (5.5 to 9.5 N•m).
8. Using pliers, install lockwire (L) in screws (K).



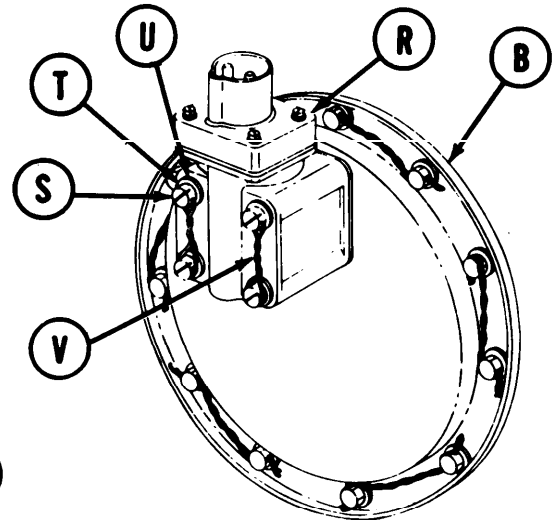
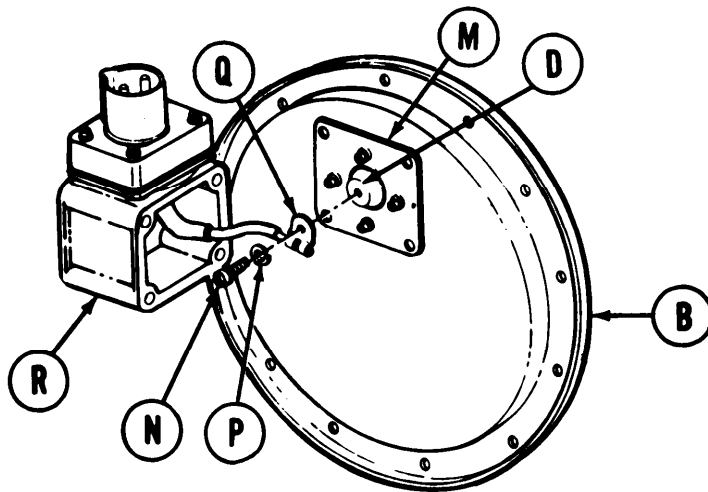
Go on to Sheet 5

TA168975

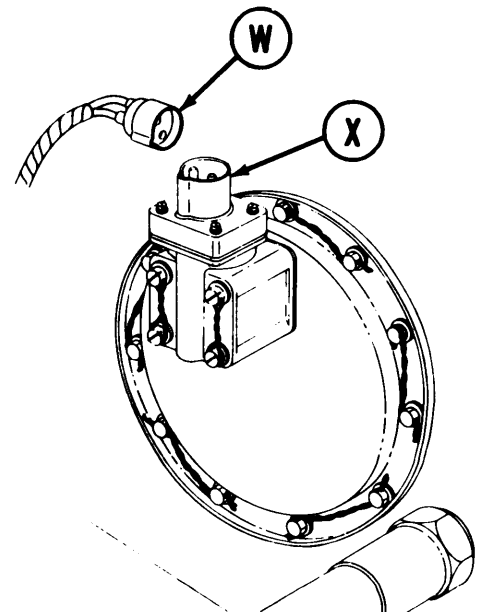
**FUEL TANK CAPACITOR AND HOUSING ASSEMBLY REPLACEMENT (LEFT)**

(Sheet 5 of 5)

9. Position gasket (M) to cover (B).
10. Using screwdriver, install screw (N) and lockwasher (P) securing electrical lead (Q) to housing and capacitor (R) to adapter (D).
11. Position capacitor and housing (R) to cover (B).



12. Using screwdriver, install four screws (S), lockwashers (T), and flat washers (U) securing capacitor and housing (R) to cover (B).
13. Using slip-joint pliers, install lockwire (V) into screws (S).
14. Using fingers, connect electrical lead (W) to capacitor and housing electrical connector (X) by pushing in.
15. Refill fuel tank (TM 5-5420-226-10).
16. Check fuel pump operation (TM 5-5420-226-10).
17. Install powerplant (page 5-14).



End of Task

TA168976

FUEL TANK CAPACITOR AND HOUSING ASSEMBLY REPAIR (Sheet 1 of 1)

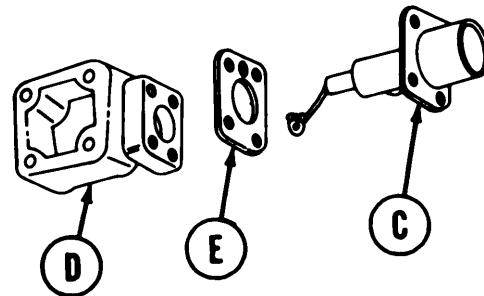
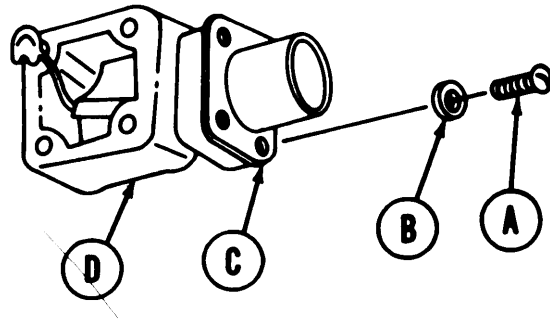
TOOLS: Flat-tip screwdriver

PRELIMINARY PROCEDURE: Remove capacitor and housing assembly (page 10-316 for right side, page 10-321 for left side)

SUPPLIES: Gasket (10864012)

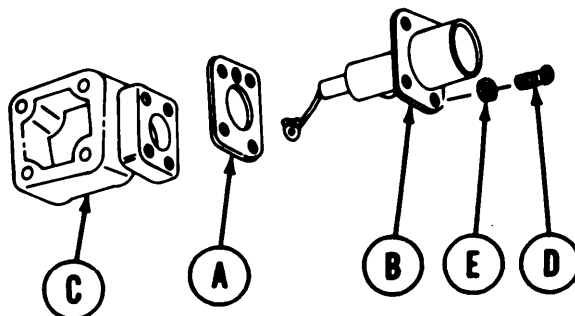
DISASSEMBLY:

1. Using screwdriver, remove four screws (A) and washers (B) holding capacitor and connector assembly (C) to housing (D).
2. Separate capacitor, connector assembly (C), and gasket (E) from housing (D). Throw gasket away.



ASSEMBLY:

1. Position gasket (A) and connector (B) on housing (C).
2. Using screwdriver, install four screws (D) and washers (E).
3. Install capacitor and housing assembly (page 10-318 for right side, page 10-324 for left side).



End of Task

TA168977

CHAPTER 11

TRANSMISSION AND SHIFTING MAINTENANCE

INDEX

<u>Procedure</u>	<u>Page</u>
Shifting Control and Related Parts Repair and Replacement . . . . .	11-2
Forward Inboard Link Assembly Replacement . . . . .	11-16
Forward Inboard Link Assembly Repair. . . . .	11-18
Forward Outboard Link Assembly Replacement . . . . .	11-19
Shifting Forward Cross Tube Replacement . . . . .	11-22
Shifting Control to Forward Inboard Link Assembly Tube Replacement. . . . .	11-26
Shifting Forward Outboard Tube Replacement . . . . .	11-31
Shifting Control Rear Rod and Levers Replacement . . . . .	11-35
Shifting Control Bracket Assembly and Connecting Link Replacement . . . . .	11-39
Bracket Assembly Repair . . . . .	11-41
Shifting Control Bracket and Link Assembly Repair . . . . .	11-42
Shift Linkage Adjustment . . . . .	11-53
Neutral Shift Switch Adjustment . . . . .	11-81
Servobands Adjustment . . . . .	11-84
Transmission Oil Breather Tube Replacement . . . . .	11-87
Transmission Main Oil Filter Element Replacement . . . . .	11-90
Transmission Side Oil Strainer Assembly Service . . . . .	11-97

SHIFTING CONTROL AND RELATED PARTS REPAIR AND REPLACEMENT (Sheet 1 of 14)

PROCEDURE INDEX

PROCEDURE	PAGE
Removal	11-2
Disassembly	11-5
Inspection	11-7
Assembly	11-9
Installation	11-13

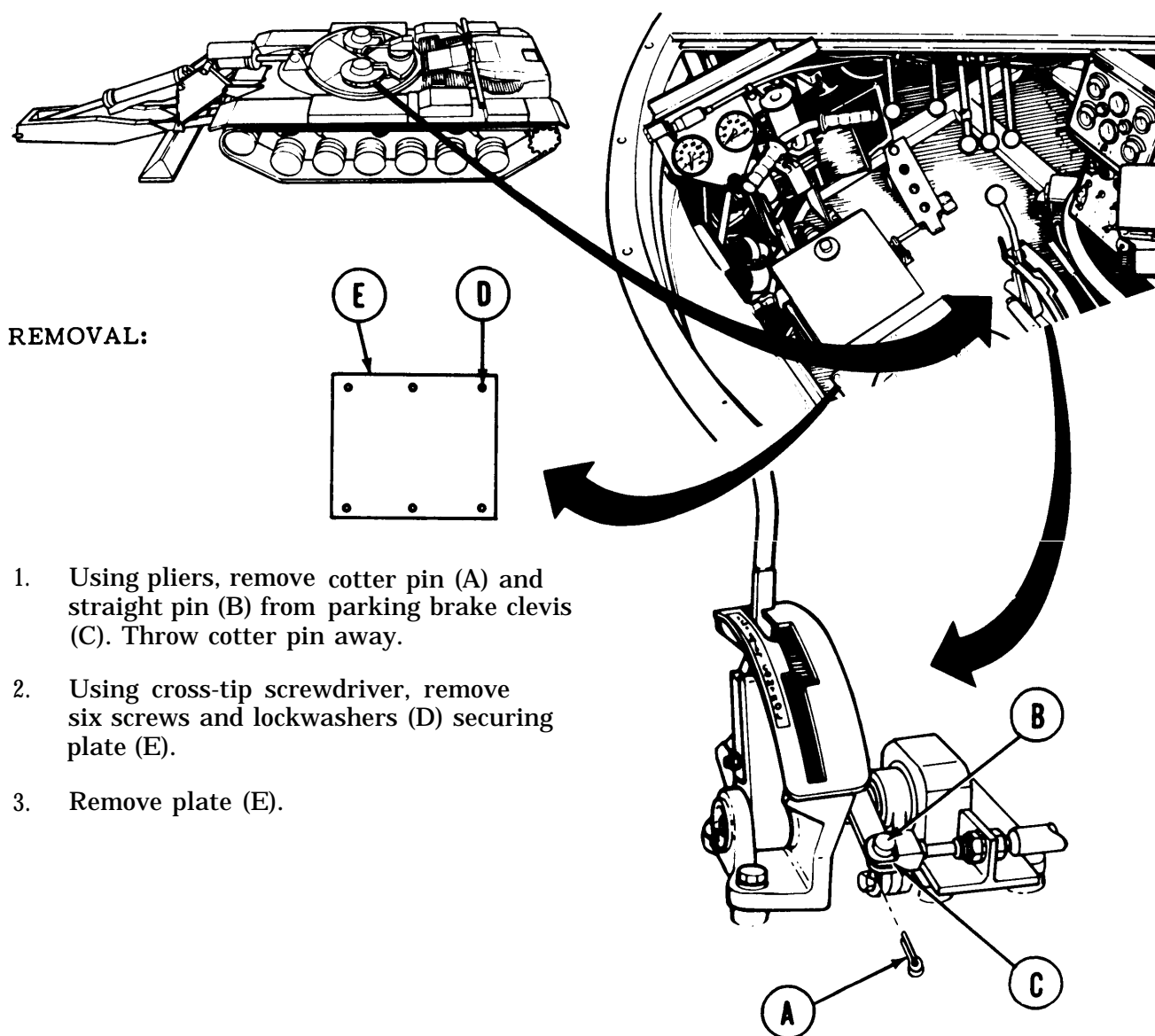
- TOOLS:
- 1/2 in. combination box and open end wrench
  - 7/16 in. combination box and open end wrench
  - 9/16 in. combination box and open end wrench
  - 3/4 in. combination box and open end wrench
  - Ratchet with 1/2 in. drive
  - 9/16 in. socket with 1/2 in. drive
  - 10 in. extension with 1/2 in. drive
  - 2 lb. hammer
  - 1/8 in. drive punch
  - 1/4 in. drive punch
  - 1/8 in. tapered steel drift
  - 3/4 in. brass drift
  - 1 in. brass drift
  - Wooden block
  - Slip joint pliers
  - 8 in. flat-tip screwdriver
  - Vise
  - 4 in. cross-tip screwdriver



SHIFTING CONTROL AND RELATED PARTS REPAIR AND REPLACEMENT (Sheet 2 of 14)

SUPPLIES: Cotter pins (3 required) (MS24665-283)  
 Pencil  
 1/2 in. masking tape (Item 58, Appendix D)

PRELIMINARY PROCEDURES: Block track to prevent vehicle movement  
 (TM 5-5420-226-10)  
 Put shift in neutral "N"  
 (TM 5-5420-226-10)



REMOVAL:

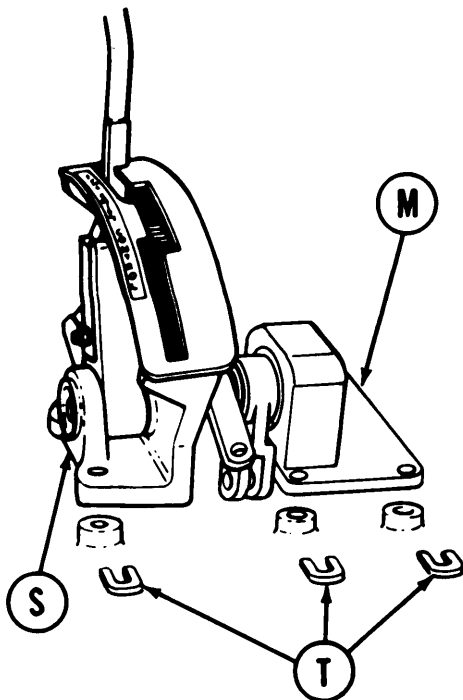
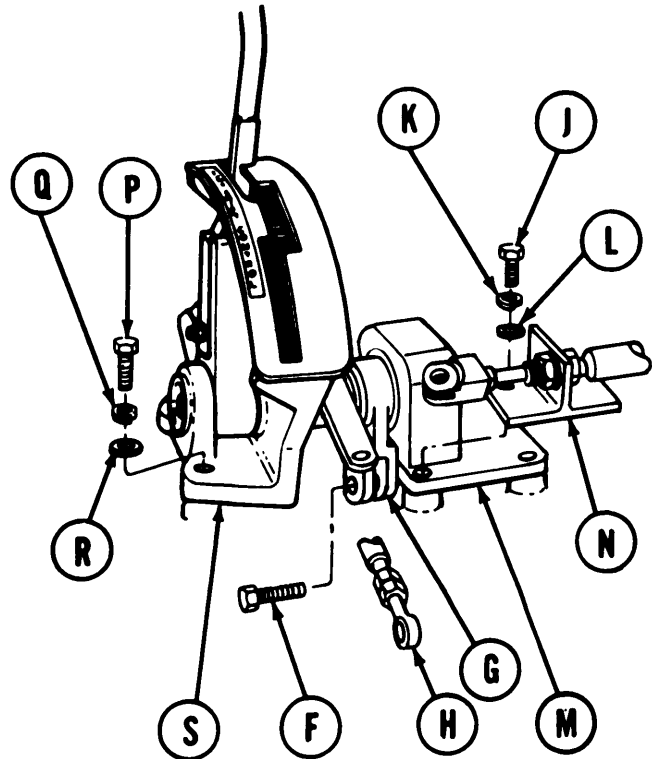
1. Using pliers, remove cotter pin (A) and straight pin (B) from parking brake clevis (C). Throw cotter pin away.
2. Using cross-tip screwdriver, remove six screws and lockwashers (D) securing plate (E).
3. Remove plate (E).

Go on to Sheet 3

TA169005

SHIFTING CONTROL AND RELATED PARTS REPAIR AND REPLACEMENT (Sheet 3 of 14)

4. Using 9/16 inch wrench, remove bolt (F) securing link (G) to rod (H). Let rod (H) drop below floor.
5. Using socket, extension, and ratchet, remove four screws (J), lockwashers (K), and flat washers (L) from bracket assembly (M).
6. Move parking brake control assembly (N) aside.
7. Using socket, extension, and ratchet, remove three screws (P), lockwashers (Q) and flat washers (R) from base assembly (S).



8. Remove base assembly (S) and bracket assembly (M) as a single unit from vehicle.
9. Using pencil and masking tape, tag all shims (T) found under bases (S) and (M).

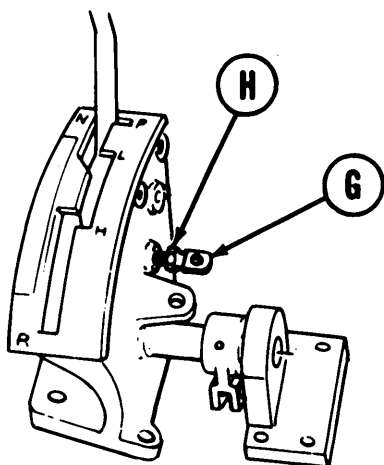
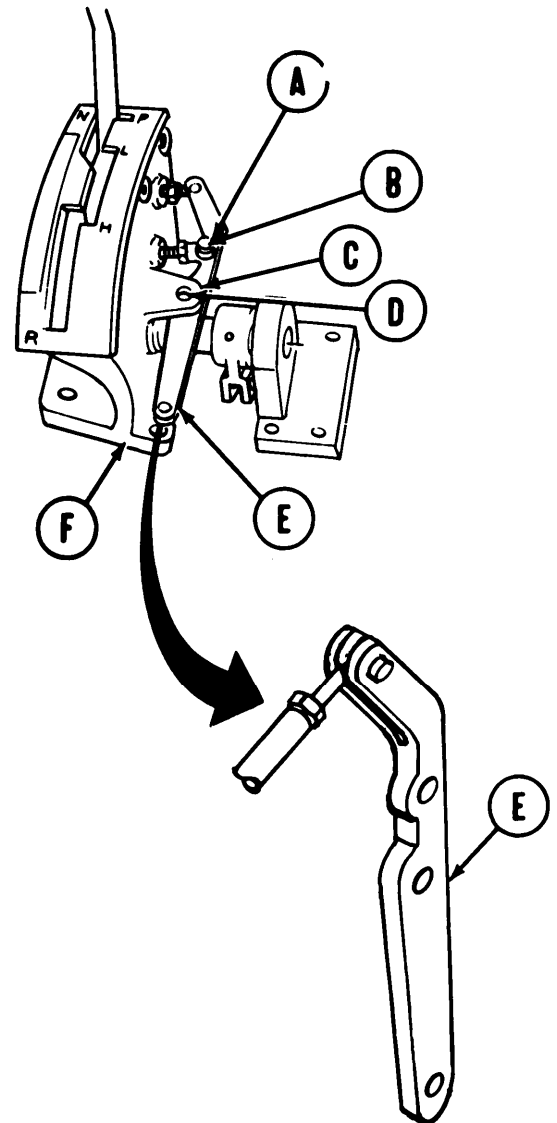
Go on to Sheet 4

TA169006

SHIFTING CONTROL AND RELATED PARTS REPAIR AND REPLACEMENT (Sheet 4 of 14)

DISASSEMBLY:

1. Using pliers, remove cotter pin (A) (hidden) and headed straight pin (B).
2. Using hammer and 1/8 inch punch, drive out spring pin (C) from base assembly clevis and straight pin (D).
3. Remove straight pin (D).
4. Remove parking brake lever (E) and attached hardware from base assembly (F).



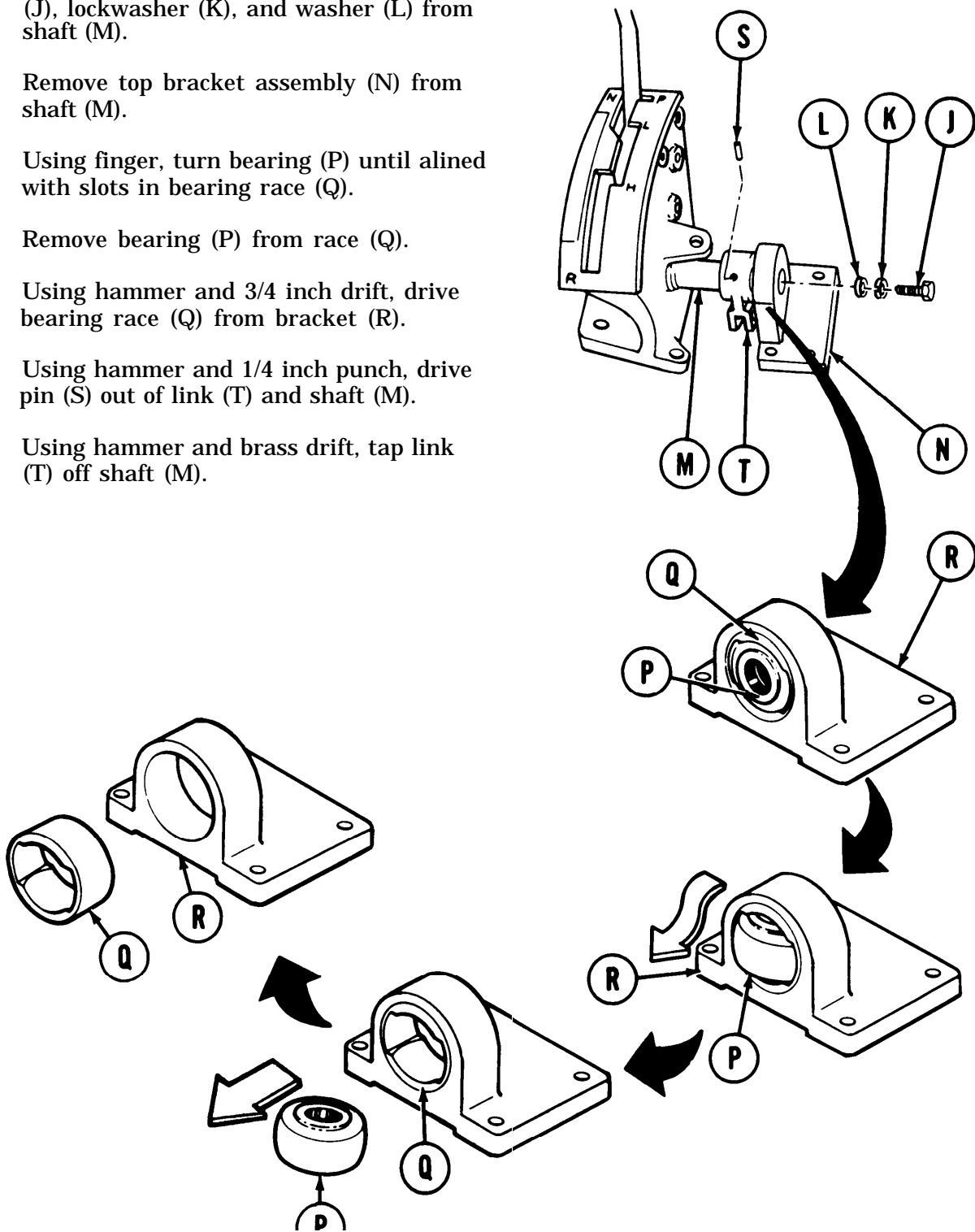
5. Holding clevis (G) with 3/4 inch open end wrench, use 1/2 inch open end wrench to back off nut (H). Remove clevis (G) and nut (H).

Go on to Sheet 5

TA169007

SHIFTING CONTROL AND RELATED PARTS REPAIR AND REPLACEMENT (Sheet 5 of 14)

6. Using 9/16 inch wrench, remove screw (J), lockwasher (K), and washer (L) from shaft (M).
7. Remove top bracket assembly (N) from shaft (M).
8. Using finger, turn bearing (P) until alined with slots in bearing race (Q).
9. Remove bearing (P) from race (Q).
10. Using hammer and 3/4 inch drift, drive bearing race (Q) from bracket (R).
11. Using hammer and 1/4 inch punch, drive pin (S) out of link (T) and shaft (M).
12. Using hammer and brass drift, tap link (T) off shaft (M).

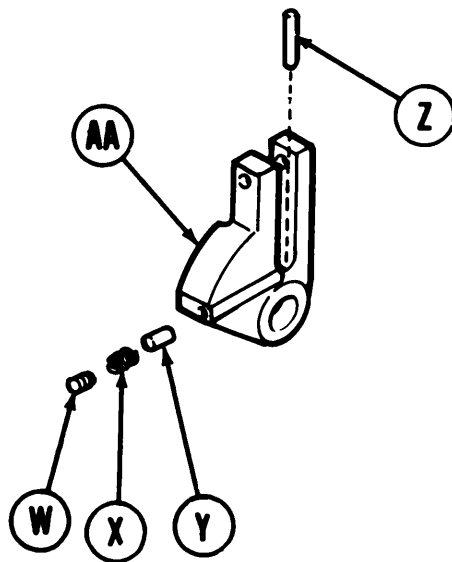
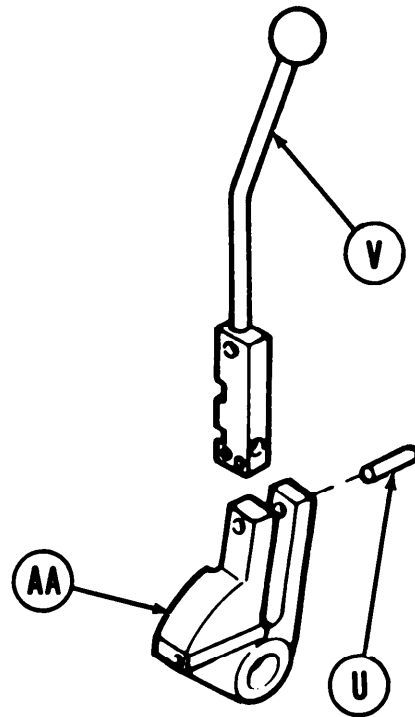
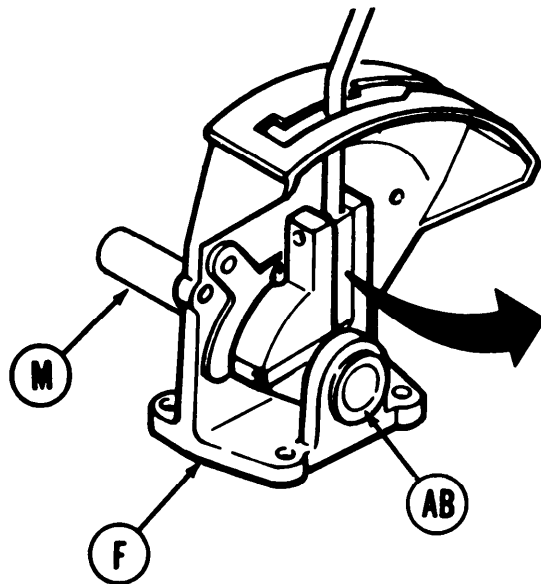


Go on to Sheet 6

TA169008

SHIFTING CONTROL AND RELATED PARTS REPAIR AND REPLACEMENT (Sheet 6 of 14)

13. Using hammer and 1/4 inch drive punch, remove pin (U) from pivot (AA).
14. Remove control rod (V) from pivot (AA).



Using flat tip screwdriver, remove adjuster (W), spring (X), and plunger (Y) from pivot (AA).

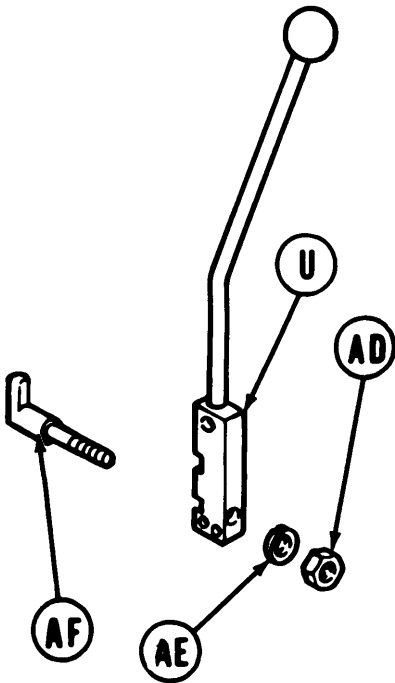
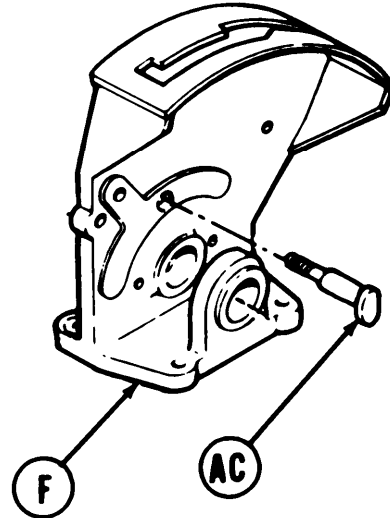
16. Using hammer and 1/4 inch punch, remove pin (Z).
17. Using hammer and 1 inch brass drift, drive shaft (M) into base assembly (F) enough to free pivot (AA) and bearing (AB).
18. Remove bearing (AB), pivot (AA), and shaft (M).

INSPECTION:

Inspect pivot (AA), adjuster (W), spring (X), and plunger (Y) for damage or wear. Replace as required.

SHIFTING CONTROL AND RELATED PARTS REPAIR AND REPLACEMENT (Sheet 7 of 14)

19. Remove bolt (AC) from bracket (F).



20. Using 7/16 inch wrench, remove nut (AD) and lockwasher (AE).
21. Using pliers, remove fastener (AF) from control rod (U).

INSPECTION:

1. Inspect fastener (AF) for wear and damage. Replace if required.
2. Inspect bolt (AC) for damage or wear. Replace if required.

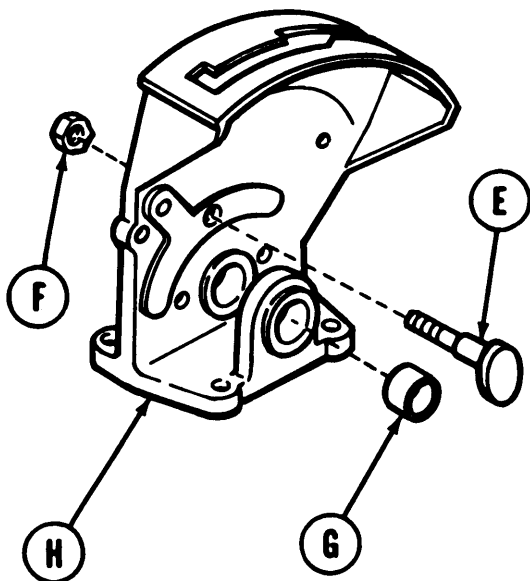
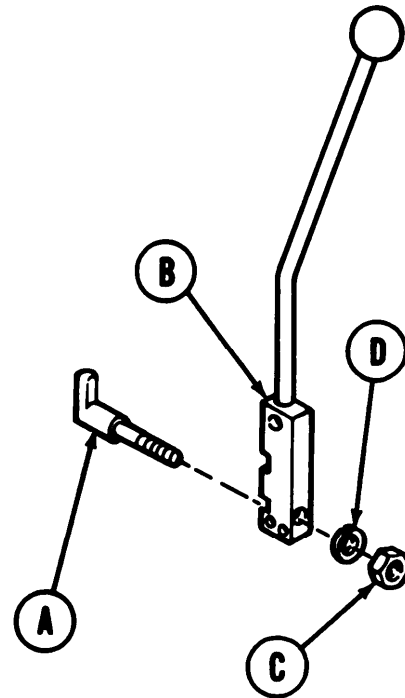
Go on to Sheet 8

TA169010

**SHIFTING CONTROL AND RELATED PARTS REPAIR AND REPLACEMENT (Sheet 8 of 14)**

**ASSEMBLY:**

1. Position fastener (A) thru control rod (B).
2. Install nut (C) and lockwasher (D).
3. Using 7/16 inch wrench, tighten nut (C).

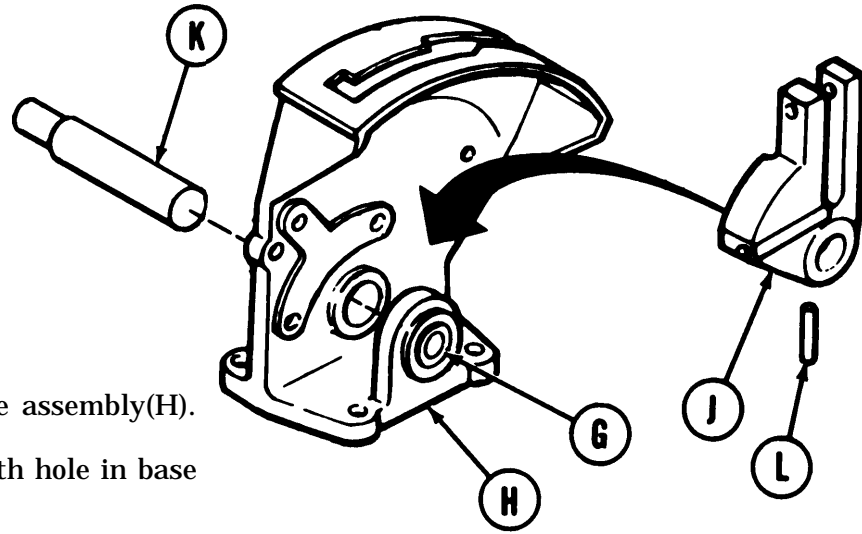


4. Manually install bolt (E) and nut (F). Nut will be tightened when parking brake lever is installed.
5. Using hammer and wooden block, tap bearing (G) into base assembly (H). Bearing must not extend beyond base assembly on either side.

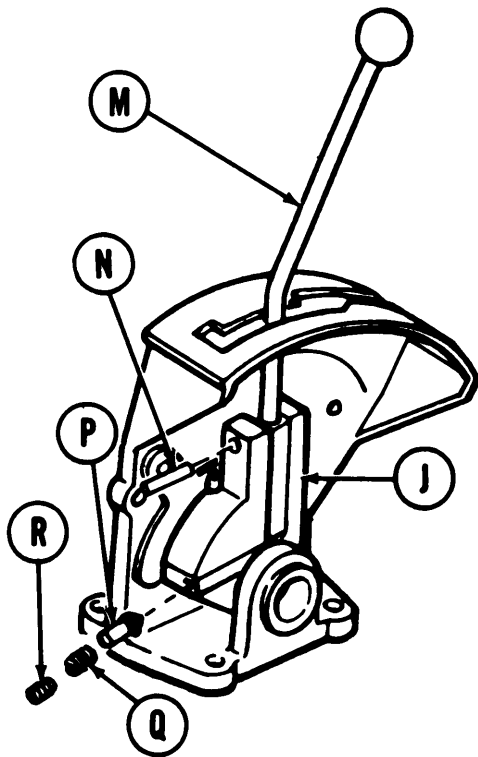
Go on to Sheet 9

TA169011

SHIFTING CONTROL AND RELATED PARTS REPAIR AND REPLACEMENT (Sheet 9 of 14)



6. Position pivot (J) on base assembly(H).
7. Aline hole in pivot (J) with hole in base assembly (H).
8. Using hammer and wooden block, insert shaft (K) into base assembly (H) through pivot (J) and into bearing (G). Use care not to damage bearing (G).
9. Using 1/8 inch tapered steel drift, aline shaft pin hole with pivot pin hole.
10. Using hammer and 3/4 inch brass drift, install pin (L).



11. Position control rod lever (M) thru pivot (J).
12. Using hammer and 1/4 inch punch, install pin (N).
13. Using flat-tip screwdriver, install plunger (P), spring (Q), and adjuster (R).

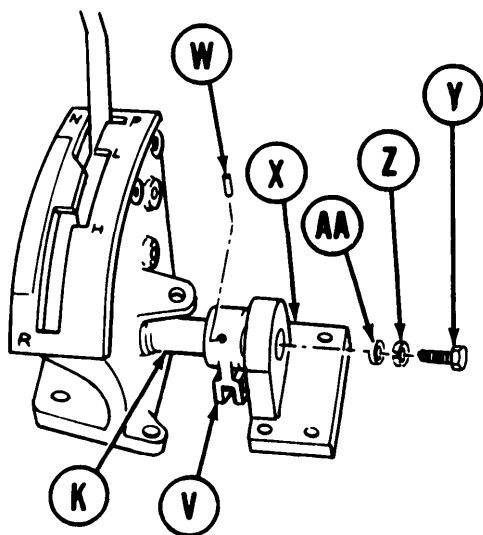
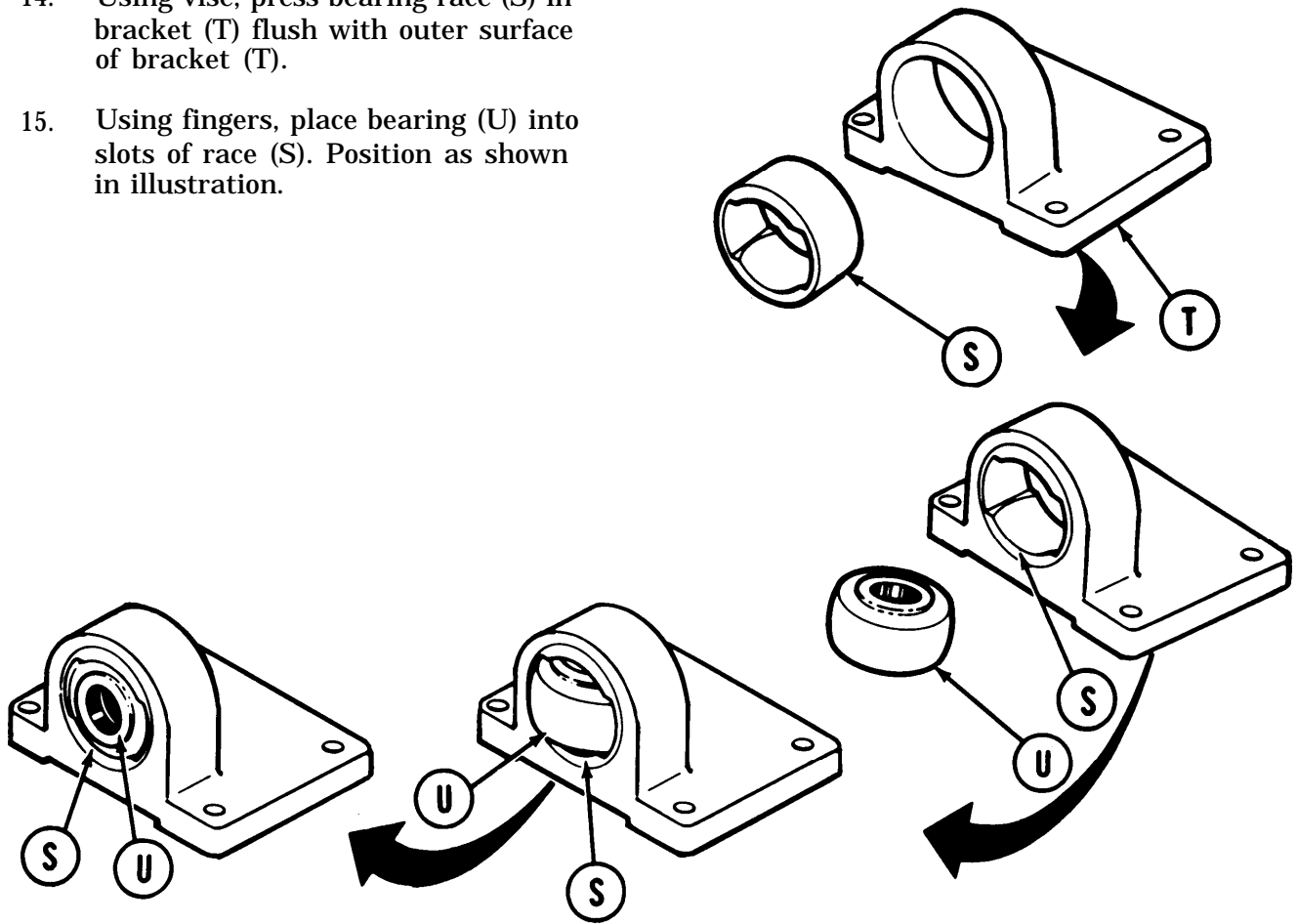
Go on to Sheet 10

TA169012



SHIFTING CONTROL AND RELATED PARTS REPAIR AND REPLACEMENT (Sheet 10 of 14)

14. Using vise, press bearing race (S) in bracket (T) flush with outer surface of bracket (T).
15. Using fingers, place bearing (U) into slots of race (S). Position as shown in illustration.



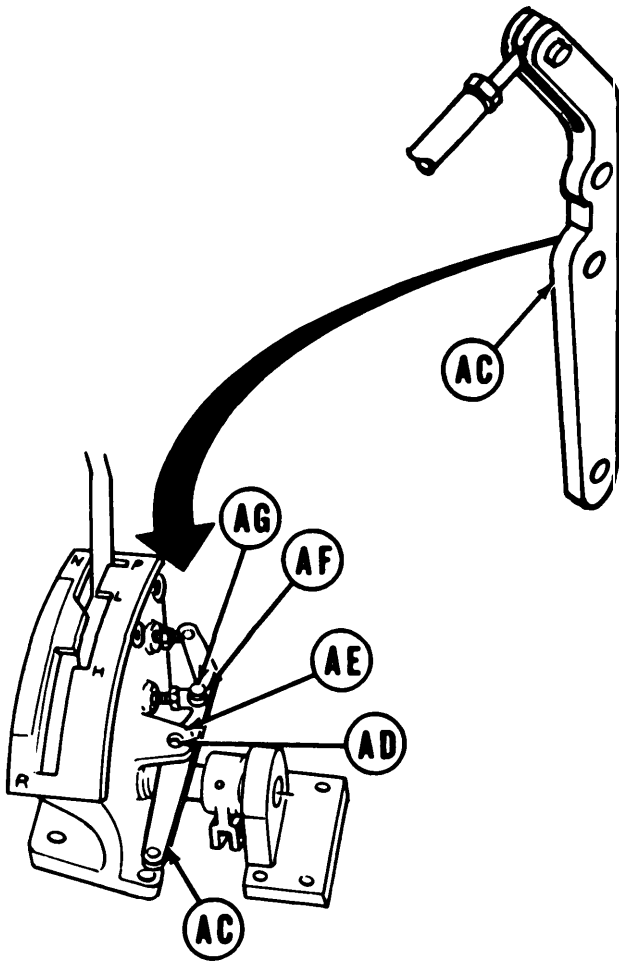
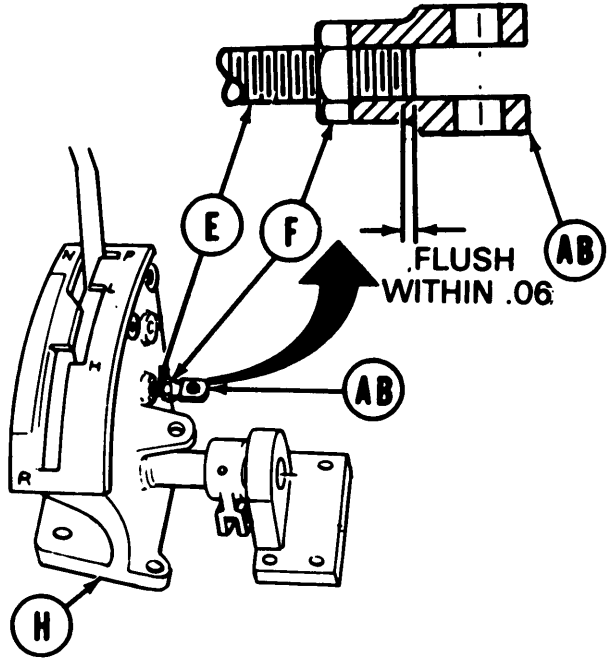
16. Using hammer and brass drift, tap link (V) into place on shaft (K).
17. Using hammer and 1/8 inch punch, install pin (W) through link (V) and shaft (K).
18. Place bracket assembly (X) on shaft (K).
19. Using 9/16 inch wrench, install screw (Y), lockwasher (Z), and washer (AA) on shaft (K).

Go on to Sheet 11

TA169013

SHIFTING CONTROL AND RELATED PARTS REPAIR AND REPLACEMENT (Sheet 11 of 14)

20. Manually install clevis (AB) on bolt (E) to the dimension shown.
21. Position parking brake lever (AC) with attached hardware on base assembly (H), making sure that clevis (AB) is a lined correctly.



22. Install straight pin (AD), making sure spring pin holes are alined.
23. Using hammer and punch, install spring pin (AE) through base assembly clevis and straight pin (AD).
24. Holding clevis (AB) with 3/4 inch open end wrench, use 1/2 inch open end wrench to tighten nut (F) against clevis (AB). Make sure clevis (AB) and parking brake lever (AC) do not bind.
25. Install headed straight pin (AF) through clevis (A B) and parking brake lever (AC) and secure with new cotter pin (AG).

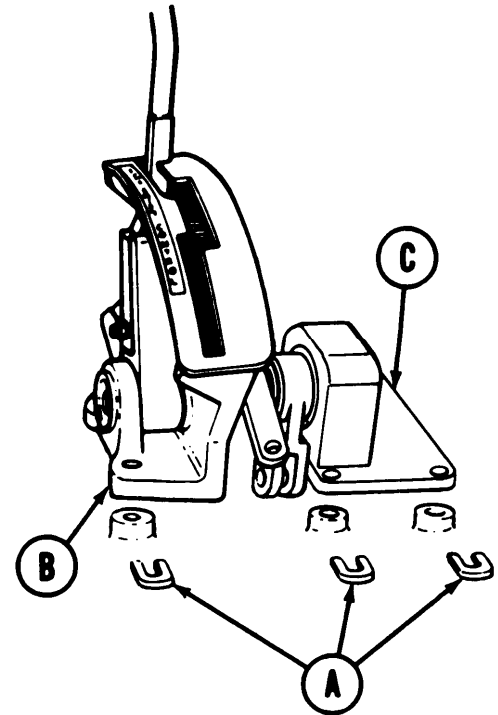
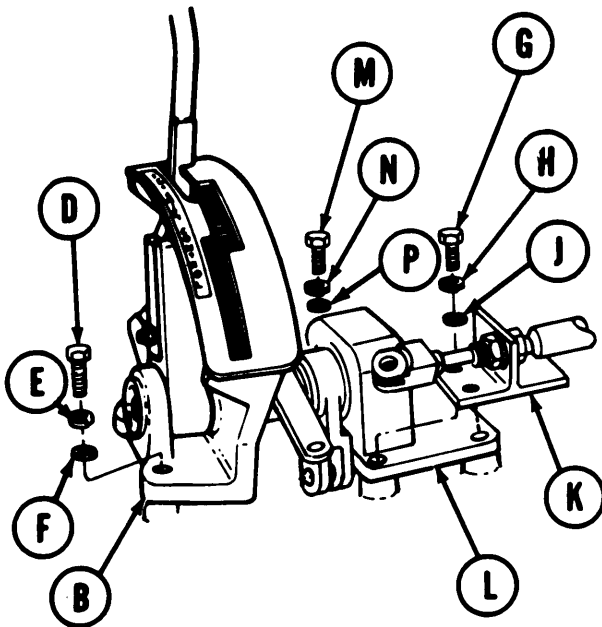
Go on to Sheet 12

TA169014

**SHIFTING CONTROL RELATED PARTS REPAIR AND REPLACEMENT (Sheet 12 of 14)**

INSTALLATION :

1. Position all shims (A) on hull mounting surfaces exactly as tagged during removal.
2. Position base assembly (B) and bracket assembly (C) on shims (A).



3. Install three screws (D), lockwashers (E), and flat washers (F) finger tight through base assembly (B).
4. Install two screws (G), lockwashers (H), and flat washers (J) finger tight through parking brake control assembly (K) and bracket assembly (L).
5. Install two more screws (M), lockwashers (N), and flat washers (P) finger tight in bracket assembly (L).

Go on to Sheet 13

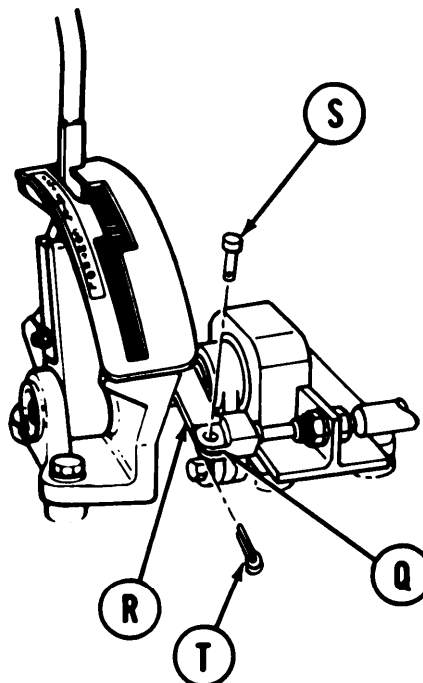
TA169015

SHIFTING CONTROL AND RELATED PARTS REPAIR AND REPLACEMENT (Sheet 13 of 14)

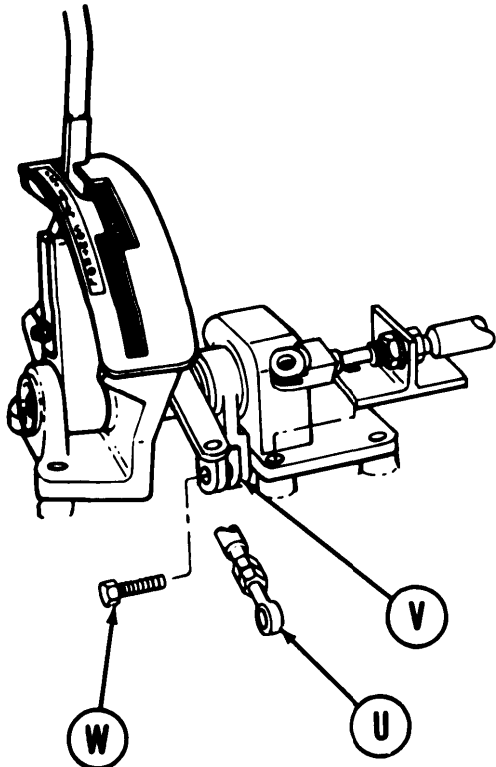
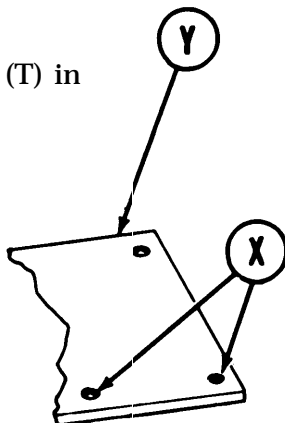
6. Using socket, extension, and ratchet, tighten screws installed in steps 3, 4, and 5, alternately.

NOTE

**Make sure that components are properly aligned. If components bind, use shims as required to make sure of proper alignment and freedom of movement.**



7. Position brake control clevis (Q) over brake lever (R).
8. Install straight pin (S) through clevis (Q) and lever (R).
9. Using pliers, install cotter pin (T) in straight pin (S).



10. Place rod end (U) in link clevis (V).
11. Using 9/16 inch wrench, install bolt (W) securing rod end (U) to link (V).
12. Using cross-tip screwdriver, install six screws (X) securing floor plate (Y).

Go on to Sheet 14

TA169016

**SHIFTING CONTROL AND RELATED PARTS REPAIR AND REPLACEMENT (Sheet 14 of 14)**

13. Perform shifting linkage adjustment (page 11-53).
14. Remove blinking from tracks.

End of Task

**FORWARD INBOARD LINK ASSEMBLY REPLACEMENT (Sheet 1 of 2)**

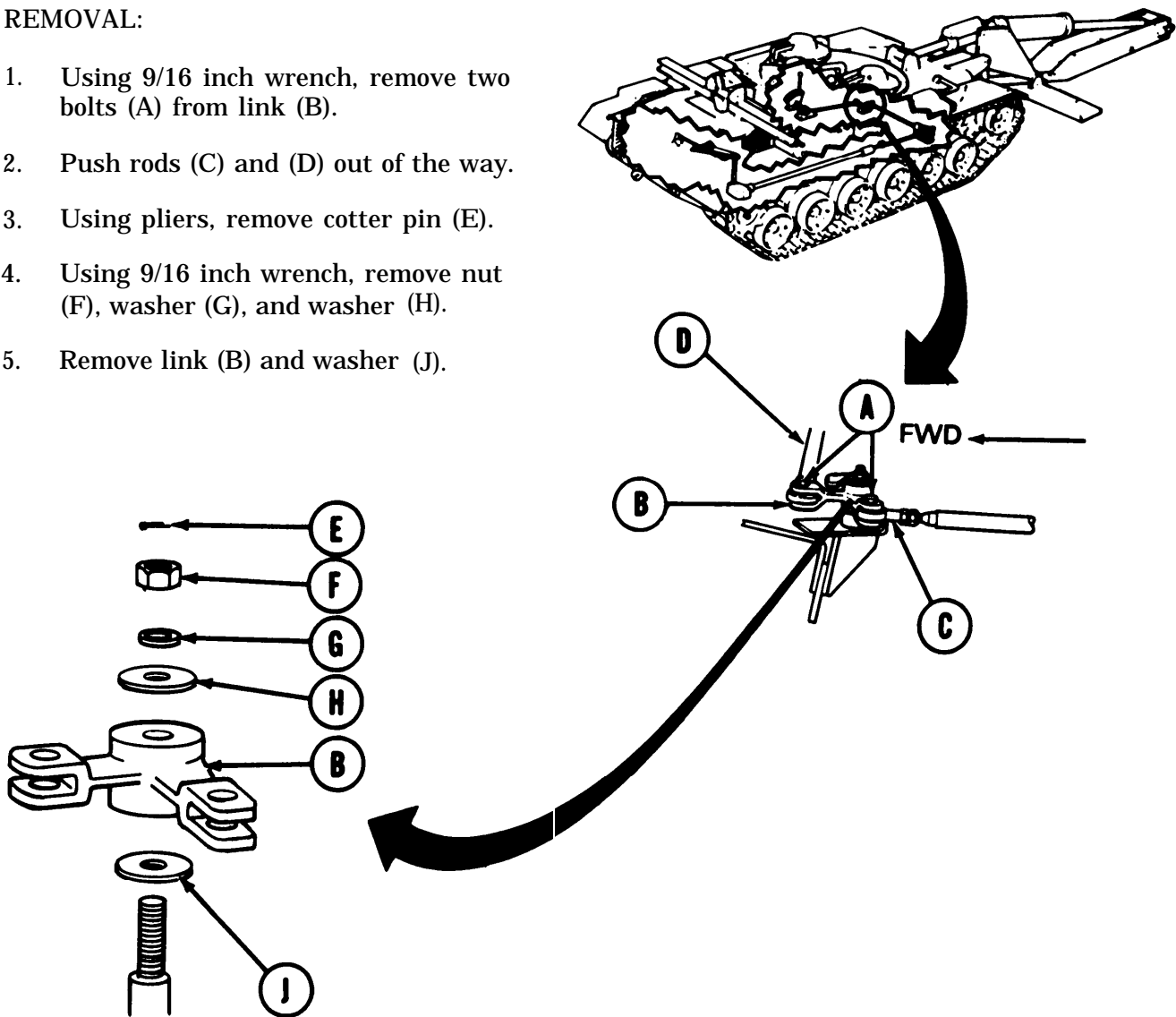
TOOLS: 9/16 in. combination box and open end wrench  
Pliers

REFERENCE: TM 5-5420-226-10

PRELIMINARY PROCEDURE: Block tracks to prevent vehicle movement  
(TM 5-5420-226-10)

REMOVAL:

1. Using 9/16 inch wrench, remove two bolts (A) from link (B).
2. Push rods (C) and (D) out of the way.
3. Using pliers, remove cotter pin (E).
4. Using 9/16 inch wrench, remove nut (F), washer (G), and washer (H).
5. Remove link (B) and washer (J).



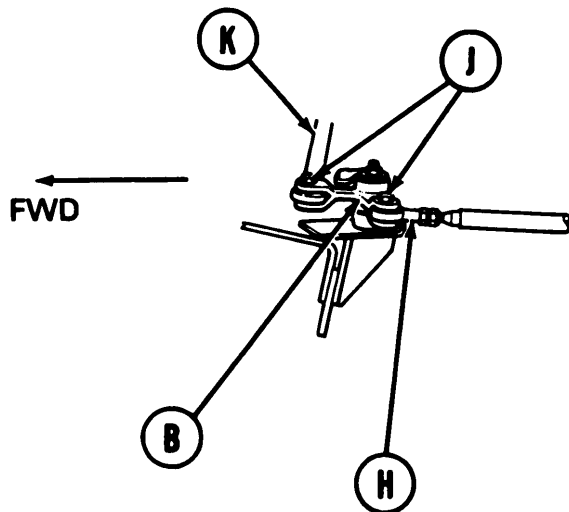
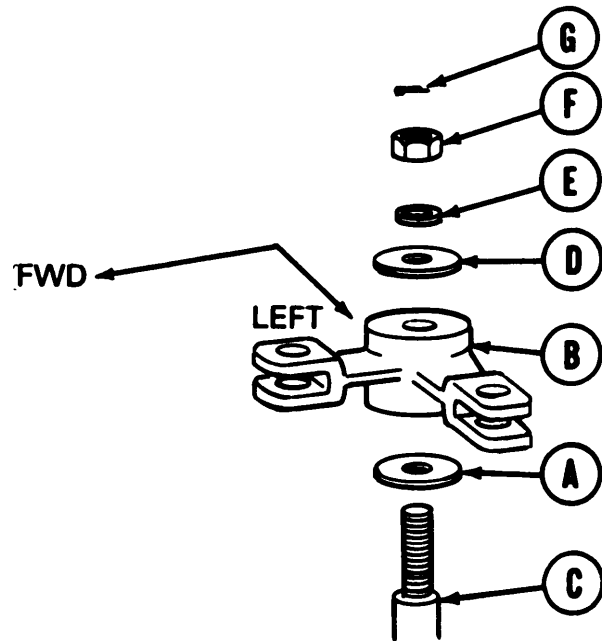
Go on to Sheet 2

TA169017

**FORWARD INBOARD LINK ASSEMBLY REPLACEMENT (2 of 2)**

INSTALLATION:

1. Install washer (A) and link (B) on stud N(C) with long arm of link (B) to left.
2. Using 9/16 inch wrench, install washer (D), washer (E), and nut (F).
3. Using pliers, install new cotter pin (G).
4. Aline rod end (H) in long arm of link (B).
5. Using 9/16 inch wrench, install bolt (J) in link (B) through rod end (H).
6. Aline rod end (K) in short arm of link (B).
7. Using 9/16 inch wrench, install bolt (J) in link (B) through rod end (K).
8. Adjust shifting controls and linkages (page 11-53).
9. Remove blocks from tracks.



End of Task

TA169018

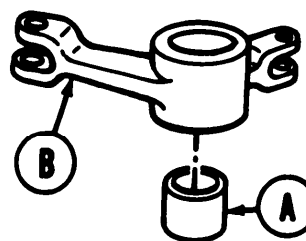
**FRONT INBOARD SHIFTING LINK ASSEMBLY REPAIR (Sheet 1 of 1)**

**TOOLS:** Hammer  
1 in. diameter brass bar  
Vise

**PRELIMINARY PROCEDURE:** Remove forward inboard link assembly (page 11-16)

**DISASSEMBLY:**

1. Using hammer and bar, remove bearing (A) from link (B).



**ASSEMBLY:**

1. Using vise, press bearing (A) into link (B), making sure sides of bearing are flush with sides of link.
2. Install forward inboard link assembly (page 11-17).

End of Task



**FORWARD OUTBOARD LINK ASSEMBLY REPLACEMENT (Sheet 1 of 3)**

**TOOLS:** 9/16 in. combination box and open end wrench  
 Torch outfit, cutting and welding  
 Grinder  
 C-clamp

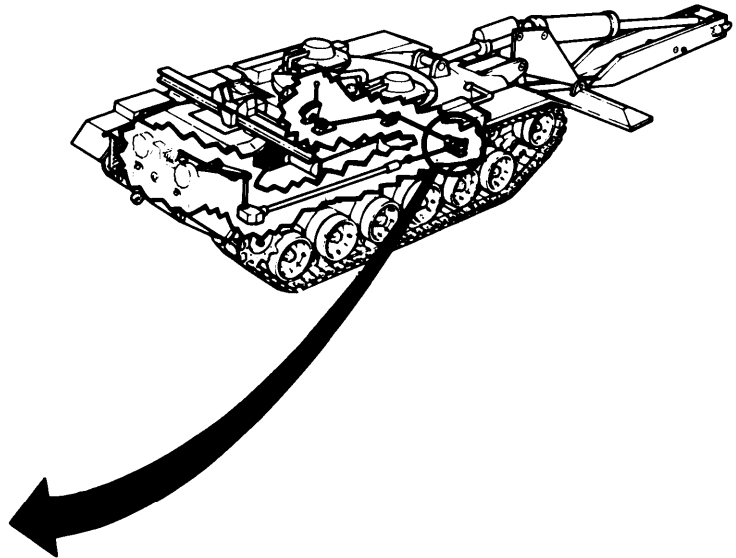
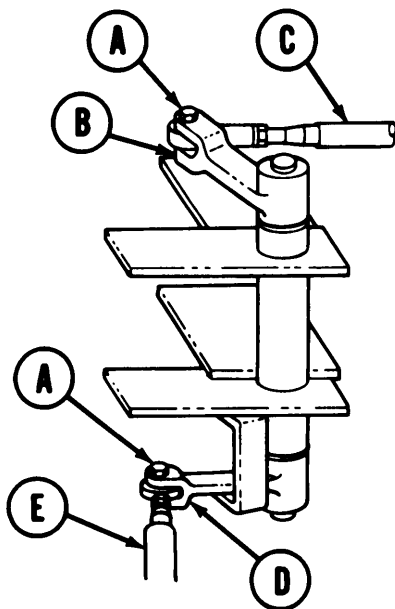
**SUPPLIES:** Welding rods

**REFERENCE:** TM 5-5420-226-10

**PRELIMINARY PROCEDURE:** Block tracks to prevent vehicle movement

**REMOVAL:**

1. Using 9/16 inch wrench, remove bolt (A) from link (B).
2. Push rod end (C) aside.
3. Using 9/16 inch wrench, remove bolt (A) from link (D).
4. Push rod end (E) aside.



Go on to Sheet 2.

TA169020

FORWARD OUTBOARD LINK ASSEMBLY REPLACEMENT (Sheet 2 of 3)

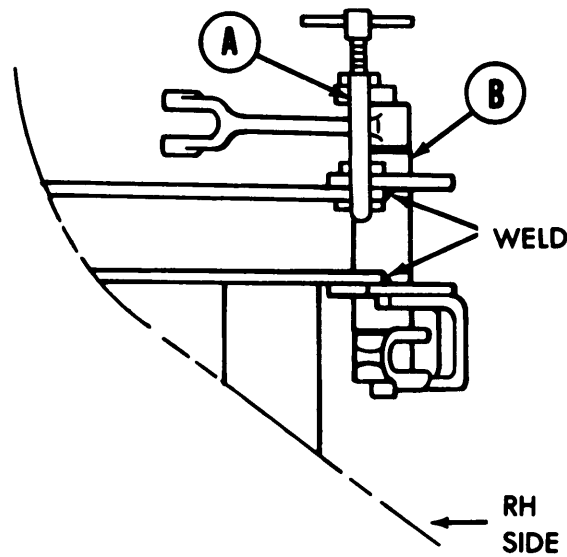
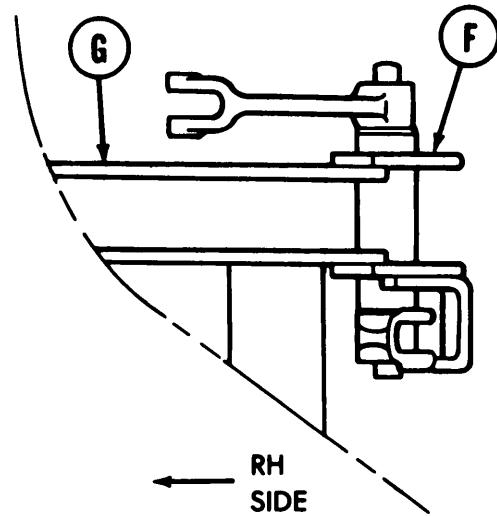
5. Using torch, remove link assembly (F) from supports (G) which are welded to hull.

NOTE

Use grinder to dean old welds so that new assembly can be welded in place.

INSTALLATION:

1. Using C-clamp (A), clamp new link assembly (B) in place.
2. Using torch, weld new link assembly (B) in place.



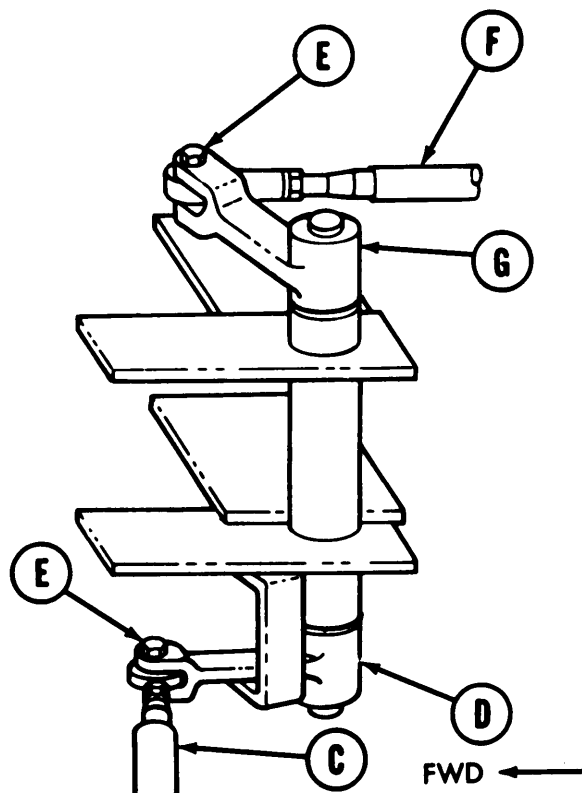
Go on to Sheet 3

TA169021

**FORWARD OUTBOARD LINK ASSEMBLY REPLACEMENT (Sheet 3 of 3)**

3. Position rod end (C) in link (D).
4. Using 9/16 inch wrench, install bolt (E) in link (D).
5. Position rod end (F) in link (G).
6. Using 9/16 inch wrench, install bolt (E) in link (G).
7. Adjust shifting controls and linkages (page 11-53).
8. Remove blocks from tracks.

End of Task



TA169022

PROCEDURE INDEX

PROCEDURES	PAGE
Removal	11-22
Disassembly	11-24
Inspection	11-24
Assembly	11-24
Adjustment	11-25
Installation	11-25

**TOOLS:** 9/16 in. combination box and open end wrench (2 required)  
Steel tape  
Torque wrench with 3/8 in. drive (0-200 lb-in.)  
9/16 in. crowfoot adapter with 3/8 in. drive

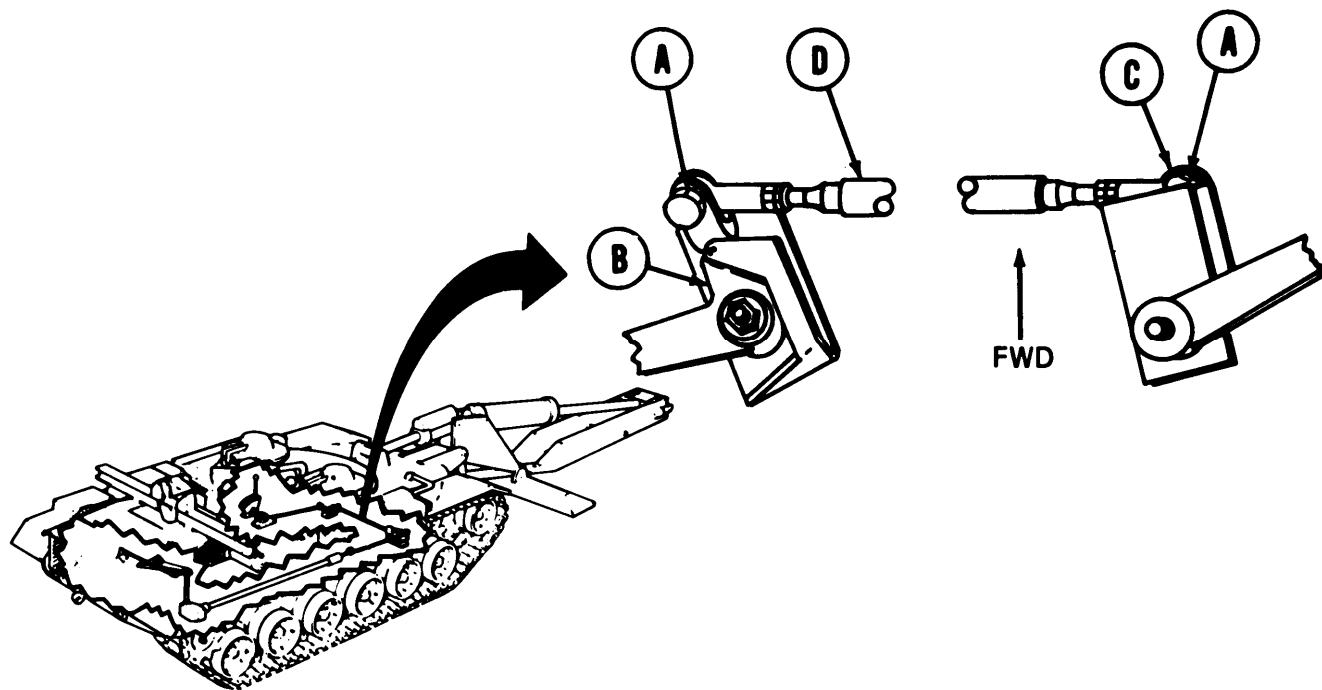
**SUPPLIES:** Paper  
Pencil

**REFERENCE:** TM 5-5420-226-10

**PRELIMINARY PROCEDURE:** Block tracks to prevent vehicle movement  
(TM 5-5420-226-10)

## SHIFTING FORWARD CROSS TUBE REPLACEMENT (Sheet 2 of 4)

## REMOVAL:



1. Using 9/16 inch wrench, remove bolts (A) from links (B) and (C) at each end of tube (D).
2. Remove tube (D).
3. Using steel tape, measure center-to-center distance of rod end holes.
4. Using pencil and paper, write down center-to-center distance.

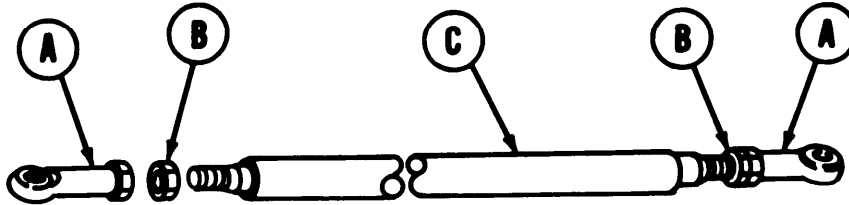
Go on to Sheet 3

TA169024

**SHIFTING FORWARD CROSS TUBE REPLACEMENT (Sheet 3 of 4)**

**DISASSEMBLY:**

1. Holding rod ends (A) with 9/16 inch wrench, use 9/16 inch wrench to back off nuts (B).
2. Using 9/16 inch wrench, remove rod ends (A) and nuts (B) from tube (C).



**INSPECTION:**

Inspect rod ends (A), nuts (B), and tube (C) for damage or wear. Replace if required.

**ASSEMBLY:**

Manually install nuts (B) and rod ends (A) on tube (C).

**SHIFTING FORWARD CROSS TUBE REPLACEMENT (Sheet 4 of 4)**

**ADJUSTMENT:**

**NOTE**

**When adjusting clevis or rod ends, make certain that threads on control tubes extend past the "U" of the clevis, or past the gage opening in the rod end to ensure a positive grip.**

1. Using two 9/16 inch wrenches and steel tape, adjust rod ends to the center-to-center distance measured and recorded in steps 3 and 4 of REMOVAL.
2. Using torque wrench and crow foot adapter, tighten nuts (A) against each rod end (B) to 16-18 lbs-ft (23-24 N•m).

**INSTALLATION:**

Position one rod end of tube (C) in link (D).

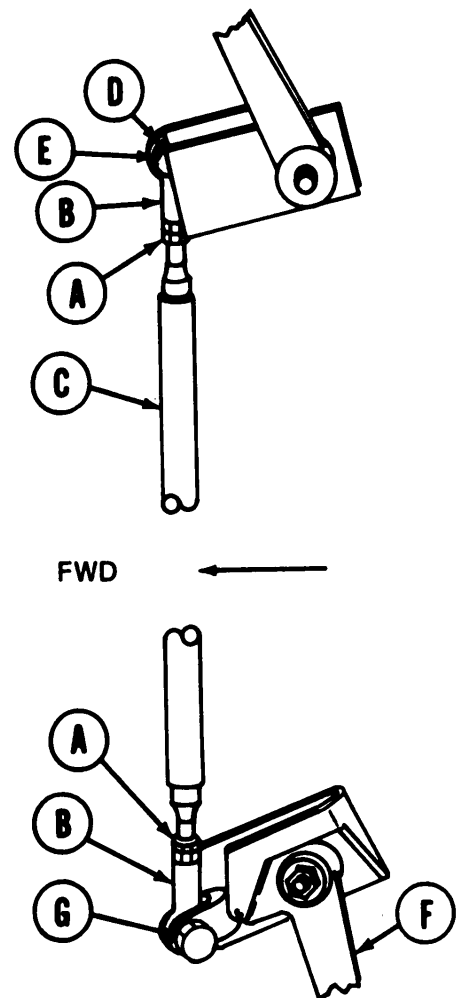
Using 9/16 inch wrench, install bolt (E).

3. Position other rod end of tube (C) in link (F).

4. Using 9/16 inch wrench, install bolt (G).

5. Adjust shifting control and linkages (page 11-53).

6. Remove blocks from track.



End of Task

TA169026

**SHIFTING CONTROL TO FORWARD INBOARD LINK ASSEMBLY TUBE REPLACEMENT**  
 (Sheet 1 of 5)

PROCEDURE INDEX

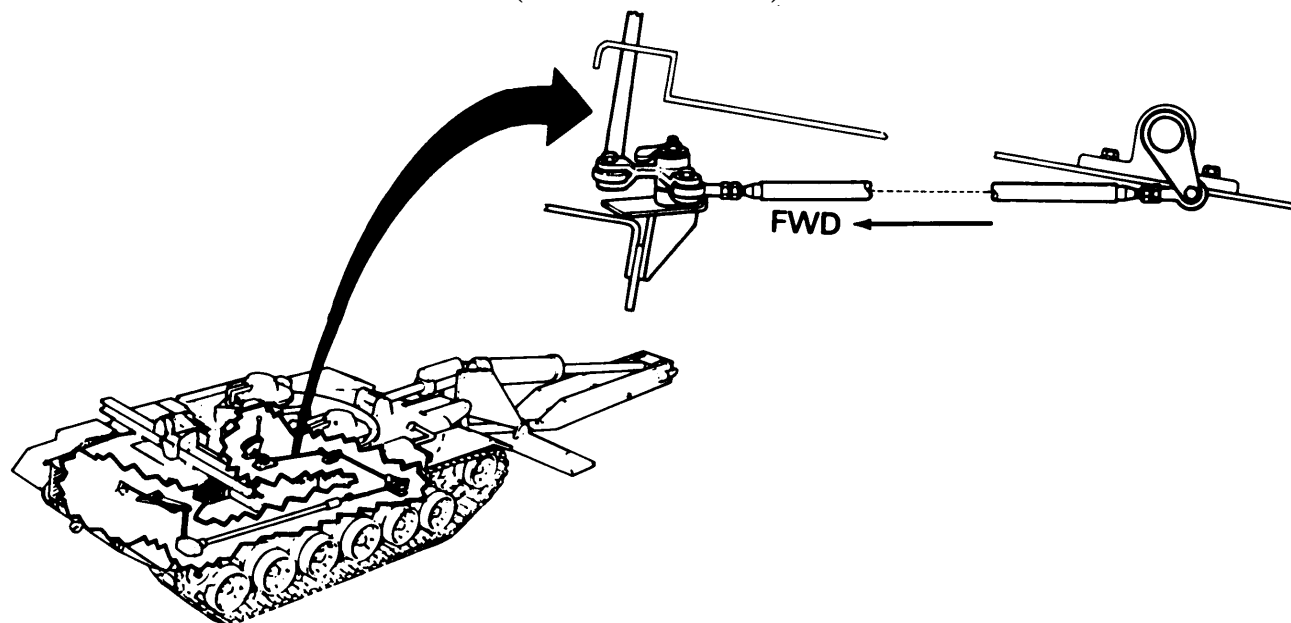
PROCEDURE	PAGE
Removal	11-26
Disassembly	11-28
Inspection	11-28
Assembly	11-28
Adjustment	11-29
Installation	11-30

**TOOLS:** 9/16 in. crowfoot adapter with 1/2 in. drive  
 9/16 in. combination box open and end wrench (2 required)  
 Steel tape  
 Torque wrench with 1/2 in. drive (0-175 lb-ft)  
 6 in. cross-tip screwdriver

**SUPPLIES:** Paper  
 Pencil

**REFERENCE:** TM 5-5420-226-10

**PRELIMINARY PROCEDURE:** Block tracks to prevent vehicle movement  
 (TM 5-5420-226-10)



Go on to Sheet 2

TA169027



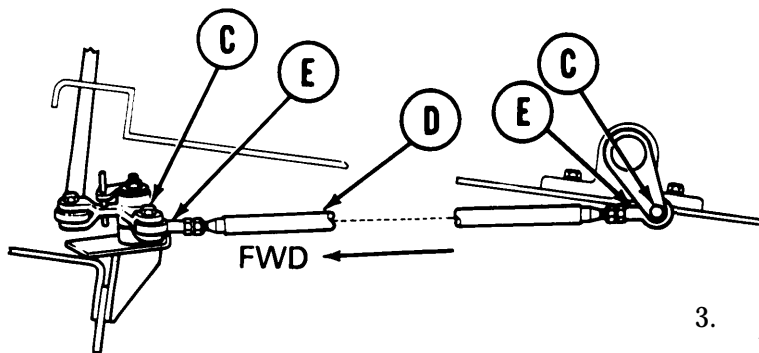
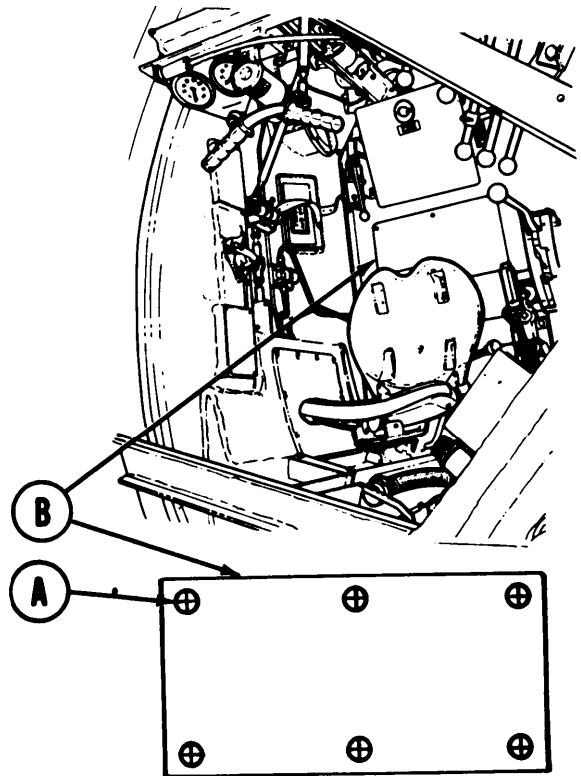
**SHIFTING CONTROL TO FORWARD INBOARD LINK ASSEMBLY TUBE REPLACEMENT**  
 (Sheet 2 of 5)

REMOVAL:

NOTE

**Place shifting rod in position. This will make bolts easier to take out by moving tube forward.**

1. Using screwdriver, remove six screws (A) from plate (B) in front of driver's seat.
2. Remove plate (B).



3. Using 9/16 inch wrench, remove two bolts (C).
4. Remove tube (D).

5. Using steel tape, measure center-to-center distance between holes in rod ends (E).
6. Using pencil and paper, write down center-to-center distance.

Go on to Sheet 3

TA169028

**SHIFTING CONTROL TO FORWARD INBOARD LINK ASSEMBLY TUBE REPLACEMENT  
(Sheet 3 of 5)**

**DISASSEMBLY:**

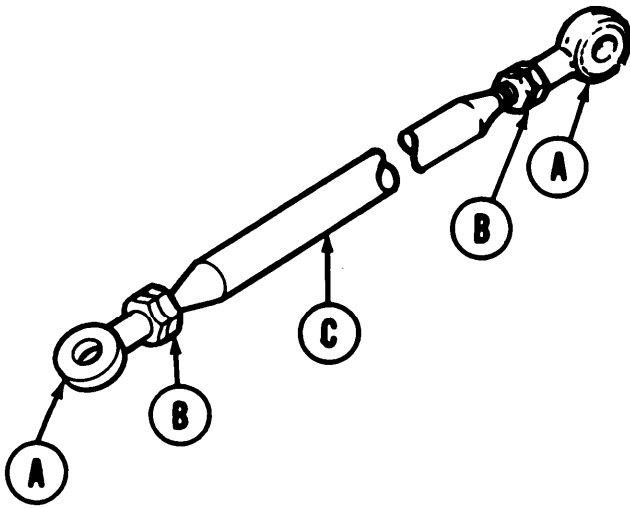
1. Holding rod ends(A) with 9/16 inch wrench, use 9/16 inch wrench to back off nuts (B).
2. Using 9/16 inch wrench, remove rod ends (A) and nuts (B) from tube (C).

**INSPECTION:**

Inspect rod ends (A), nuts (B), and tube (C) for wear or damage. Replace if required.

**ASSEMBLY:**

1. Manually install nuts (B) and rod ends (A) on tube (C).



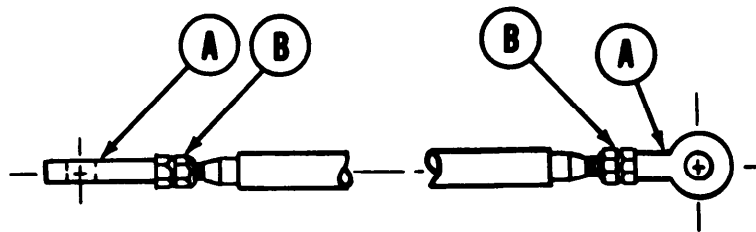
**SHIFTING CONTROL TO FORWARD INBOARD LINK ASSEMBLY TUBE REPLACEMENT  
(Sheet 4 of 5)**

ADJUSTMENT:

**NOTE**

**When adjusting rod ends, make certain that threads on control tubes extend past the gage opening in the rod end to ensure a positive grip.**

1. Using two 9/16 inch wrenches and steel tape, adjust rod ends (A) to obtain the same center-to-center distance between holes as measured and recorded in steps 5 and 6, REMOVAL.



2. Using torque wrench and crow foot adapter, tighten nuts (B) against rod ends (A) to 16-18 lb-ft (23-24 N•m).

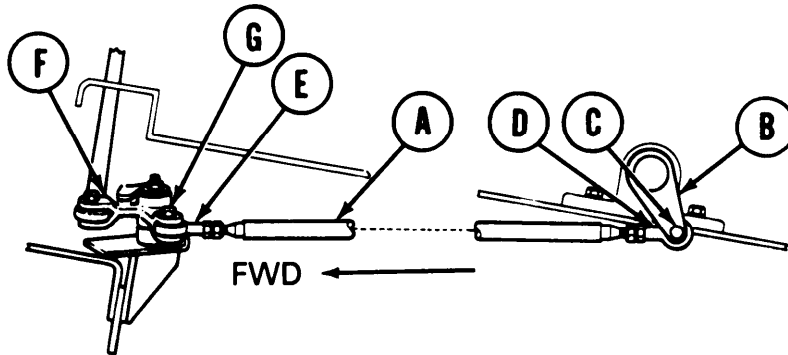
Go on to Sheet 5

TA169030

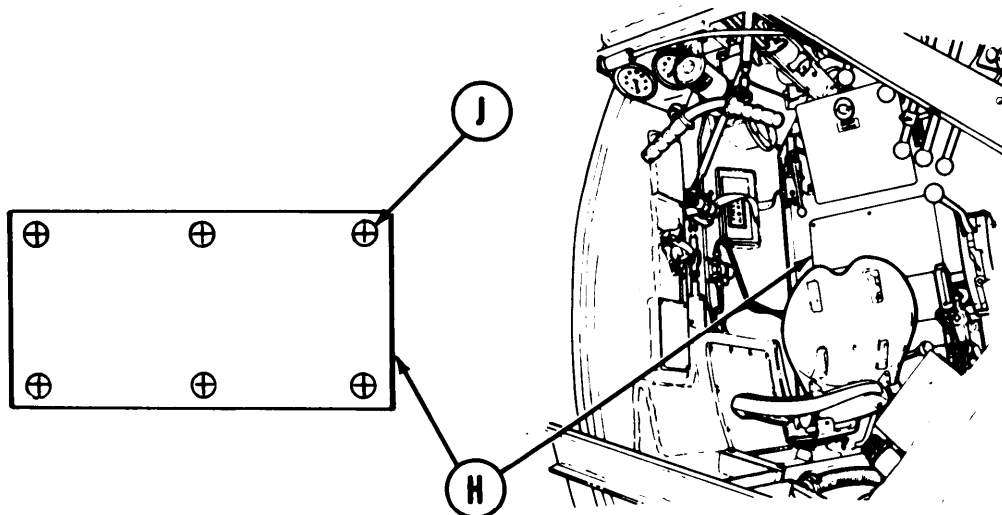
**SHIFTING CONTROL TO FORWARD INBOARD LINK ASSEMBLY TUBE REPLACEMENT**  
(Sheet 5 of 5)

INSTALLATION:

1. Position one end of rod (A) in shifting control shaft link (B).



2. Using 9/16 inch wrench, install bolt (C) thru rod end (D) into link (B).
3. Position rod end (E) in front link (F).
4. Using 9/16 inch wrench, install bolt (G) thru rod end (E) into front link (F).
5. Adjust shifting control and linkages (page 11-53).
6. Replace plate (H) in front of driver's seat.
7. Using screwdriver, install six screws (J) to secure plate (H).



8. Remove blocks from tracks.

SHIFTING FORWARD OUTBOARD TUBE REPLACEMENT (Sheet 1 of 4)

PROCEDURE INDEX

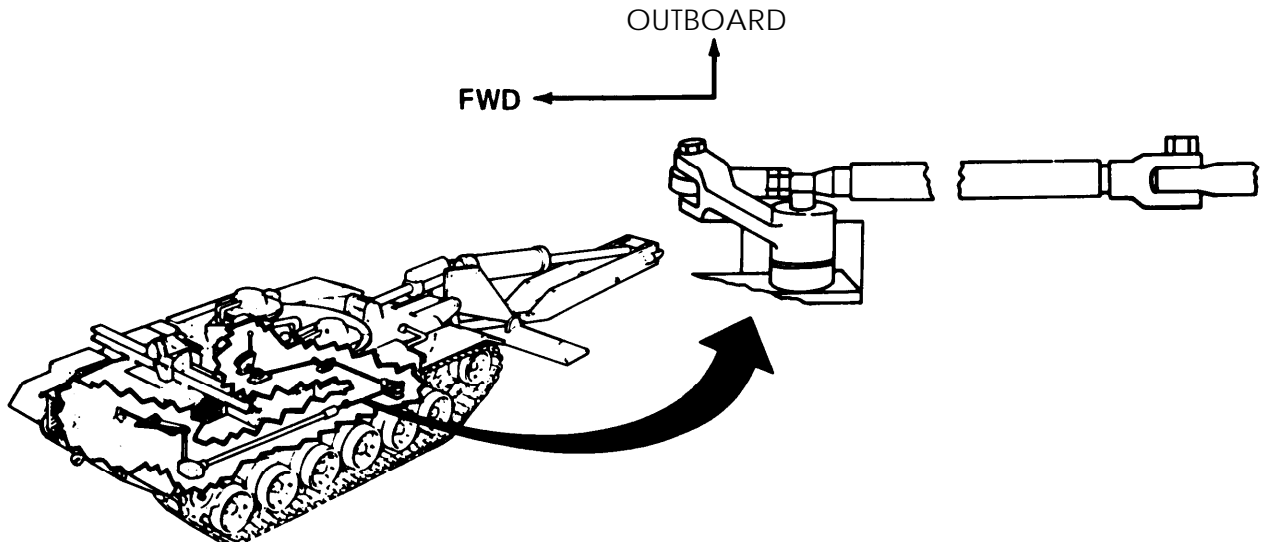
PROCEDURE	PAGE
Removal	11-31
Disassembly	11-32
Inspection	11-32
Assembly	11-32
Adjustment	11-33
Installation	11-34

TOOLS: 9/16 in. combination box and open end wrench (2 required)  
 Steel tape  
 Torque wrench with 1/2 in. drive (0-175 lb-ft)  
 9/16 in. crowfoot adapter with 1/2 in. drive

SUPPLIES: Paper  
 Pencil

REFERENCE: TM 5-5420-226-10

PRELIMINARY PROCEDURE: Block tracks to prevent vehicle movement  
 (TM 5-5420-226-10)



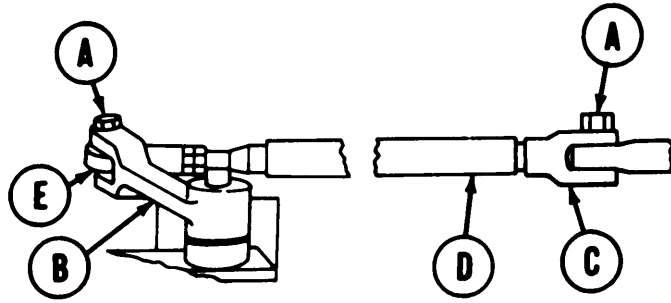
Go on to Sheet 2

TA169032

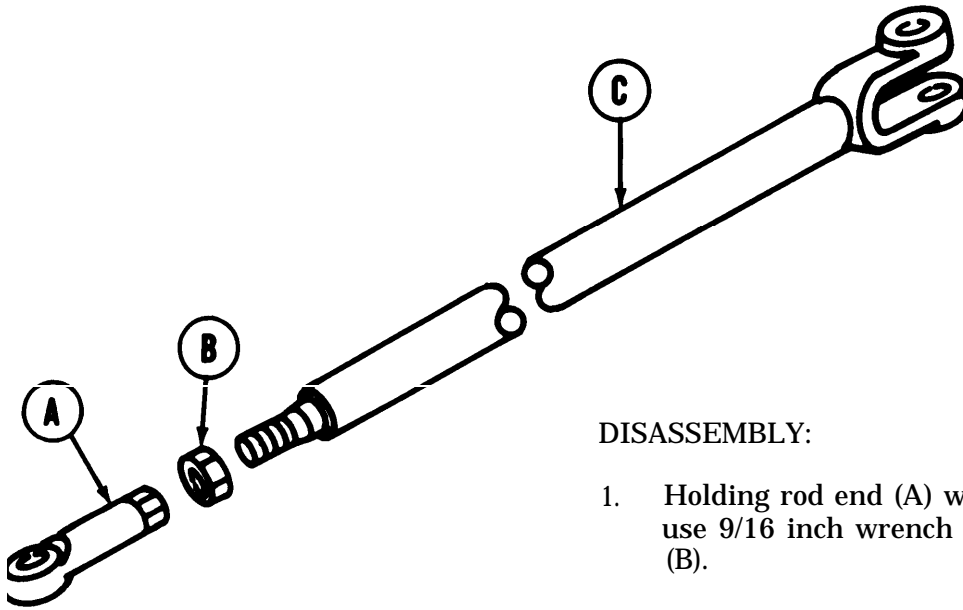
SHIFTING FORWARD OUTBOARD TUBE REPLACEMENT (Sheet 2 of 4)

REMOVAL:

1. Using 9/16 inch wrench, remove two bolts (A) from link (B) and clevis (C).
2. Remove tube (D).
3. Using steel tape, measure center-to-center distance between holes in rod end (E) and clevis (C).



4. Using pencil and paper, write down center-to-center distance.



DISASSEMBLY:

1. Holding rod end (A) with 9/16 inch wrench, use 9/16 inch wrench to back off nut (B).
2. Using 9/16 inch wrench, remove rod end (A) and nut (B) from tube (C).

INSPECTION:

Inspect rod end (A), nut (B), and tube (C) for wear or damage. Replace if required.

ASSEMBLY:

1. Manually install nut (B) and rod end (A) on tube (C).

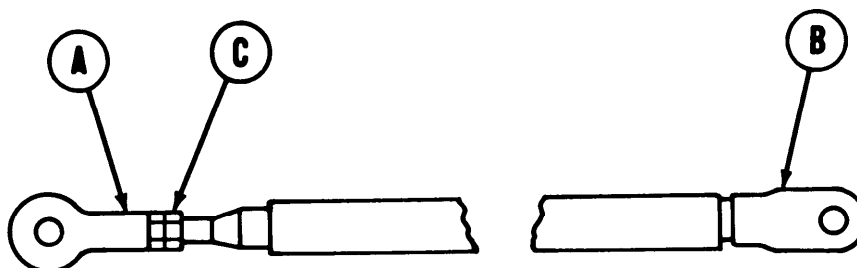
Go on to Sheet 3

TA169033

**SHIFTING FORWARD OUTBOARD TUBE REPLACEMENT (Sheet 3 of 4)****ADJUSTMENT:****NOTE**

**When adjusting rod end, make certain that threads on control tubes extend past the gage opening in the rod end to ensure a positive grip.**

1. Using two 9/16 inch wrenches and steel tape, adjust rod end (A) to obtain same center-to-center distance between holes in rod end (A) and clevis (B) as measured and recorded in steps 3 and 4, REMOVAL.



2. Using torque wrench and crow foot adapter, tighten nut (C) against rod end (A) to 16-18 lb-ft (23-24 N•m).

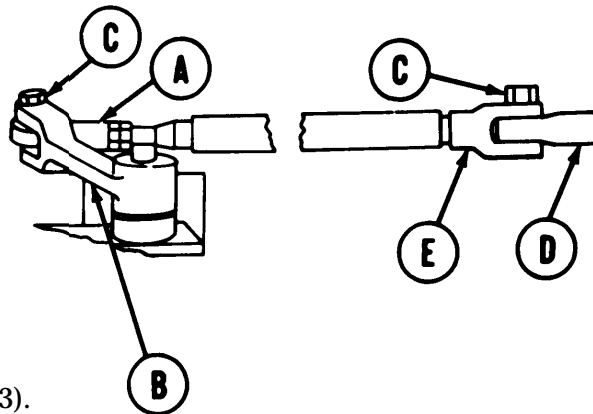
Go on to Sheet 4

TA169034

**SHIFTING FORWARD OUTBOARD TUBE REPLACEMENT (Sheet 4 of 4)**

INSTALLATION :

1. Position rod end (A) in link (B).
2. Using 9/16 inch wrench, install bolt (C) in link (B).
3. Position rod end (D) of connecting assembly in clevis (E).
4. Using 9/16 inch wrench, instal bolt (C) in clevis (E).
5. Adjust shifting controls and linkages (page 11-53).
6. Remove blocks from tracks.



End of Task



SHIFTING CONTROL REAR ROD AND LEVERS REPLACEMENT (Sheet 1 of 4)

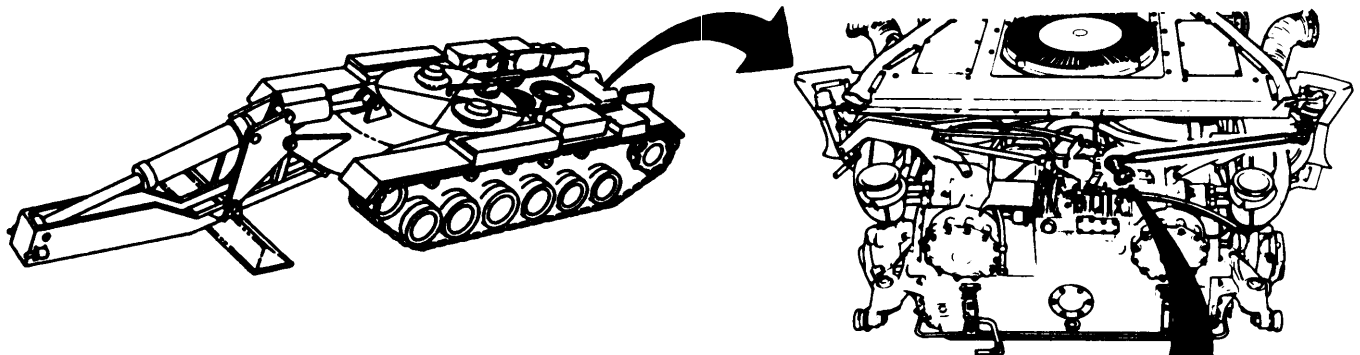
PROCEDURE INDEX

PROCEDURE	PAGE
Removal	11-35
Installation	11-37

TOOLS: Slip joint pliers  
 7/16 in.open end wrench  
 9/16 in.open end wrench (2 required)  
 Flat-tip screwdriver

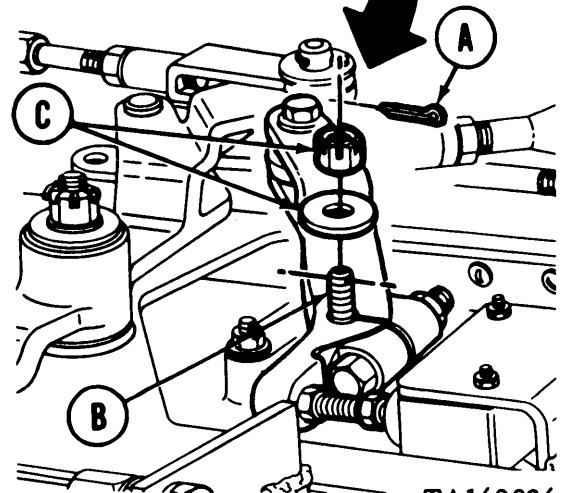
SUPPLIES: Spring pin MS3906-161

PRELIMINARY PROCEDURES: Block tracks to prevent vehicle movement (TM 5-5420-226-10)  
 Place shift lever in reverse (TM 5-5420-226-10)  
 Remove top deck (page 16-21)  
 Remove transmission shroud (page 9-2)



REMOVAL:

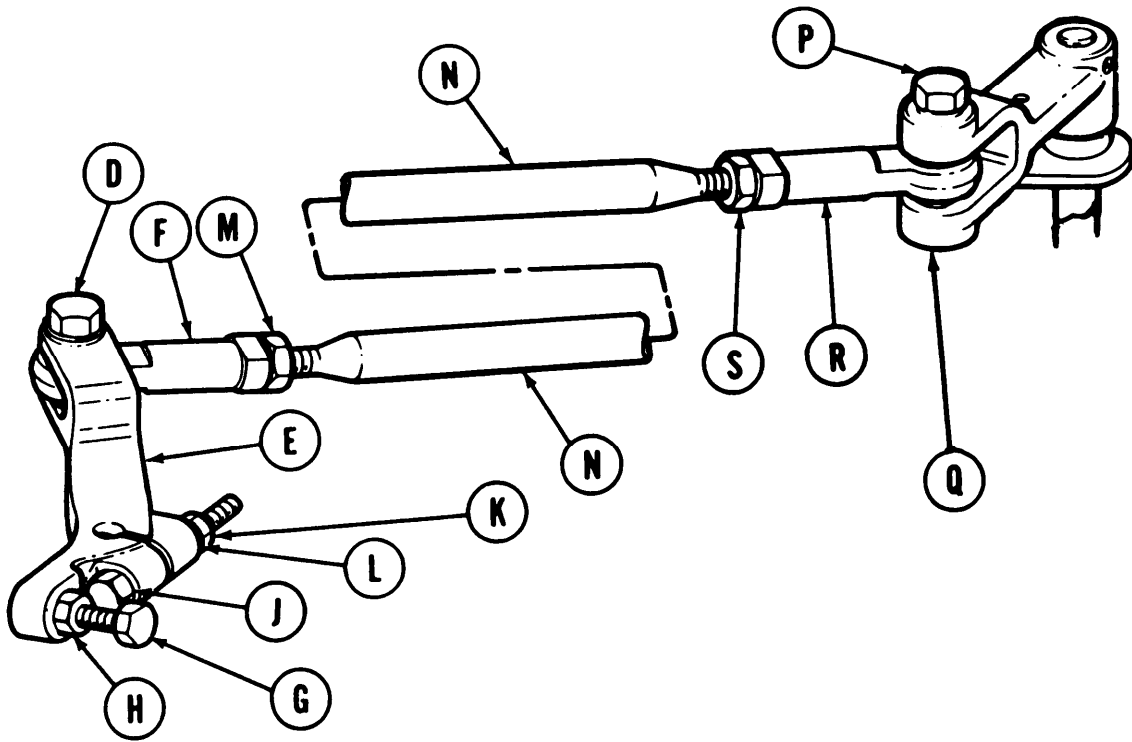
1. Using pliers, remove cotter pin (A) from transmission shaft stud (B).
2. Using 9/16 inch wrench, remove nut and washer (C) from transmission shaft stud (B) .



TA169036

Go on to Sheet 2

SHIFTING CONTROL REAR ROD AND LEVERS REPLACEMENT (Sheet 2 of 4)

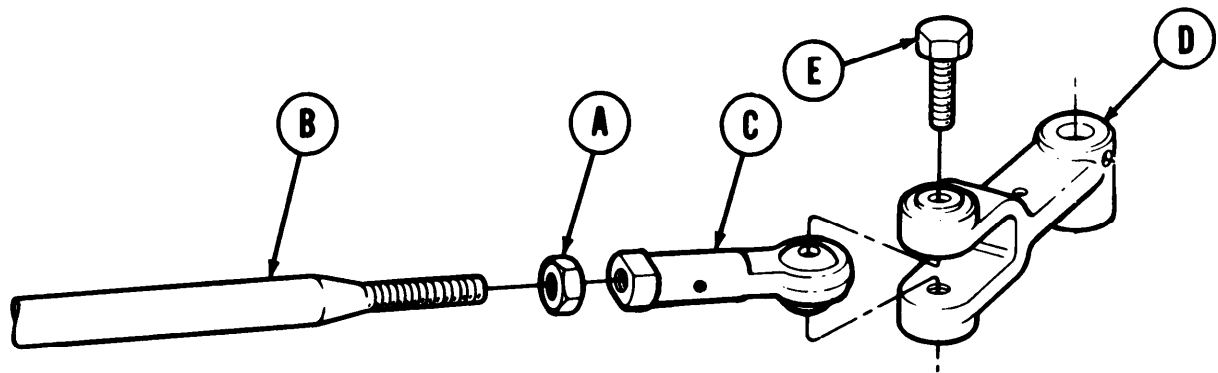


3. Using 9/16 inch wrench, remove bolt (D) from lever (E) and rod end (F), and separate rod end from clevis of lever (E).
4. Using 7/16 inch wrench, remove screw (G) and nut (H) from lever (E).
5. Using 9/16 inch wrench, hold screw (J). Using 9/16 inch wrench, remove nut (K) and washer (L) from screw (J). Remove screw (J) and lever (E) from transmission shaft.
6. Using 9/16 inch wrench on flats of rod end (F) and 9/16 inch wrench on jamnut (M), loosen jamnut (M) and remove rod end (F) from rod (N).
7. Using 9/16 inch wrench, remove jamnut (M) from rod (N).
8. Using 9/16 inch wrench, remove bolt (P) from lever (Q).
9. Using 9/16 inch wrench on flats of rod and (R) and 9/16 inch wrench on jamnut (S), loosen jamnut (S) and remove rod end (R) from rod (N).
10. using 9/16 inch wrench. remove jamnut (S) from rod (N).

Go on to Sheet 3

TA169037

SHIFTING CONTROL REAR ROD AND LEVERS REPLACEMENT (Sheet 3 of 4)

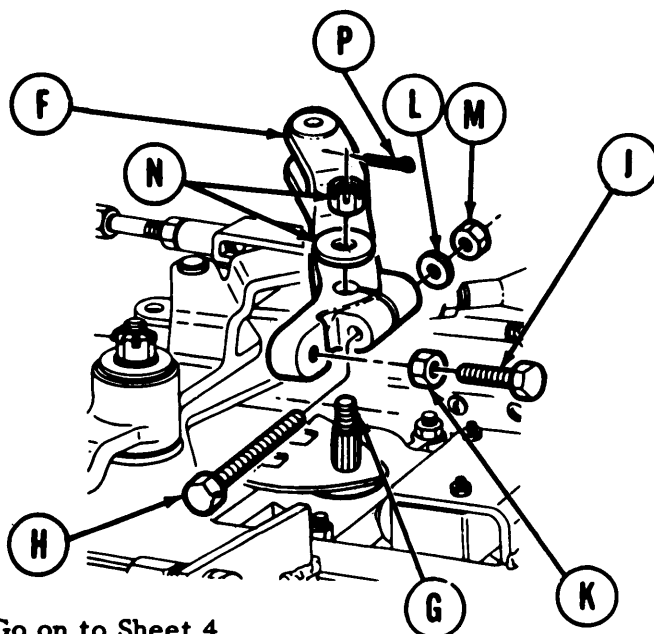


INSTALLATION

1. Using 9/16 inch wrench, install jamnut (A) onto rod (B).
2. Using 9/16 inch wrench, install rod end (C) onto rod(B) past witness holes.
3. Position rod end (C) into clevis of lever (D).
4. Using 9/16 inch wrench, install bolt (E) through clevis of lever(D) and rod end (C).

NOTE

**Make sure that clevis opening on lever (F) is alined with spline on transmission stud (G) before installing lever (F).**

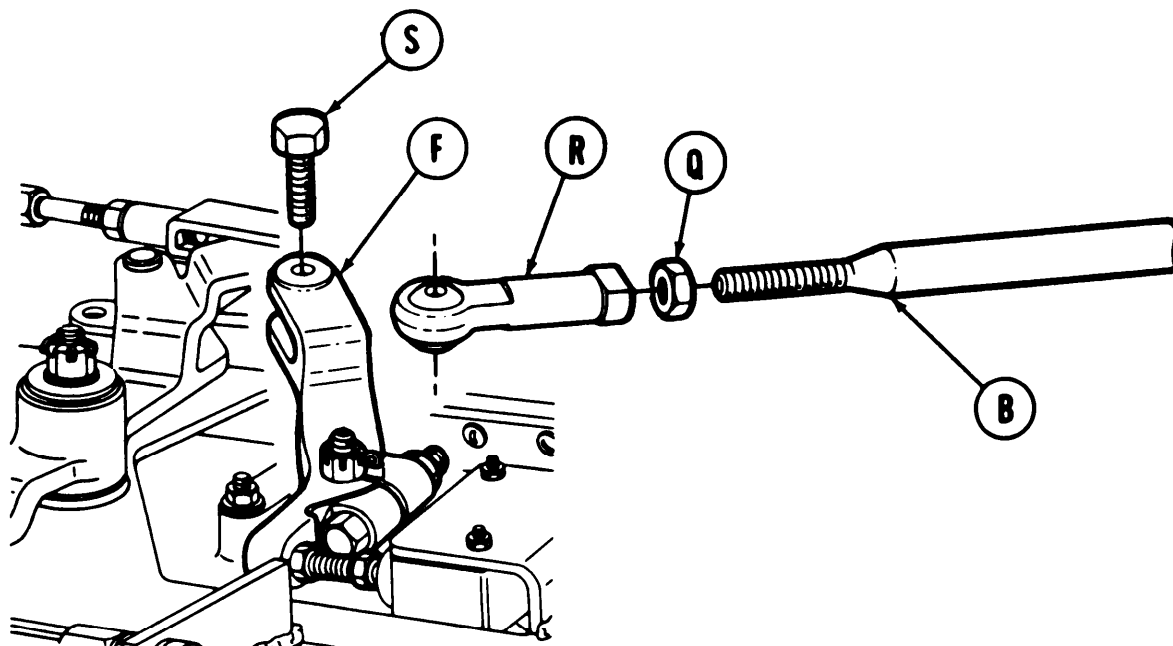


5. Install lever (F) onto transmission shaft stud (G). Using hand, install screw (H) through lever (F).
6. Using 7/16 inch wrench, install screw (J) and jamnut (K) into lever (F).
7. Install washer (L) and nut (M) onto screw (H). Using two 9/16 inch wrench, tighten nut (M).
8. Using 9/16 inch wrench, install washer and nut (N) onto transmission shaft stud (G).
9. Using pliers, install new cotter pin (P) through nut (N) and transmission shaft stud (G) .

Go on to Sheet 4

TA169038

SHIFTING CONTROL REAR ROD AND LEVERS REPLACEMENT (Sheet 4 of 4)



10. Using 9/16 inch wrench, install jamnut (Q) onto rod (B).
11. Using 9/16 inch wrench, install rod end (R) onto rod (B).
12. Adjust and position rod end (R) into clevis of lever (F). Using 9/16 inch wrench, install bolt (S) through clevis of lever (F) and rod end (R).
13. Perform shifting linkage adjustments (page 11-53).
14. Perform neutral shift switch adjustment (page 11-81).
15. Replace transmission shroud (page 9-6).
16. Replace top deck (page 16-23).

End of Task

TA169039

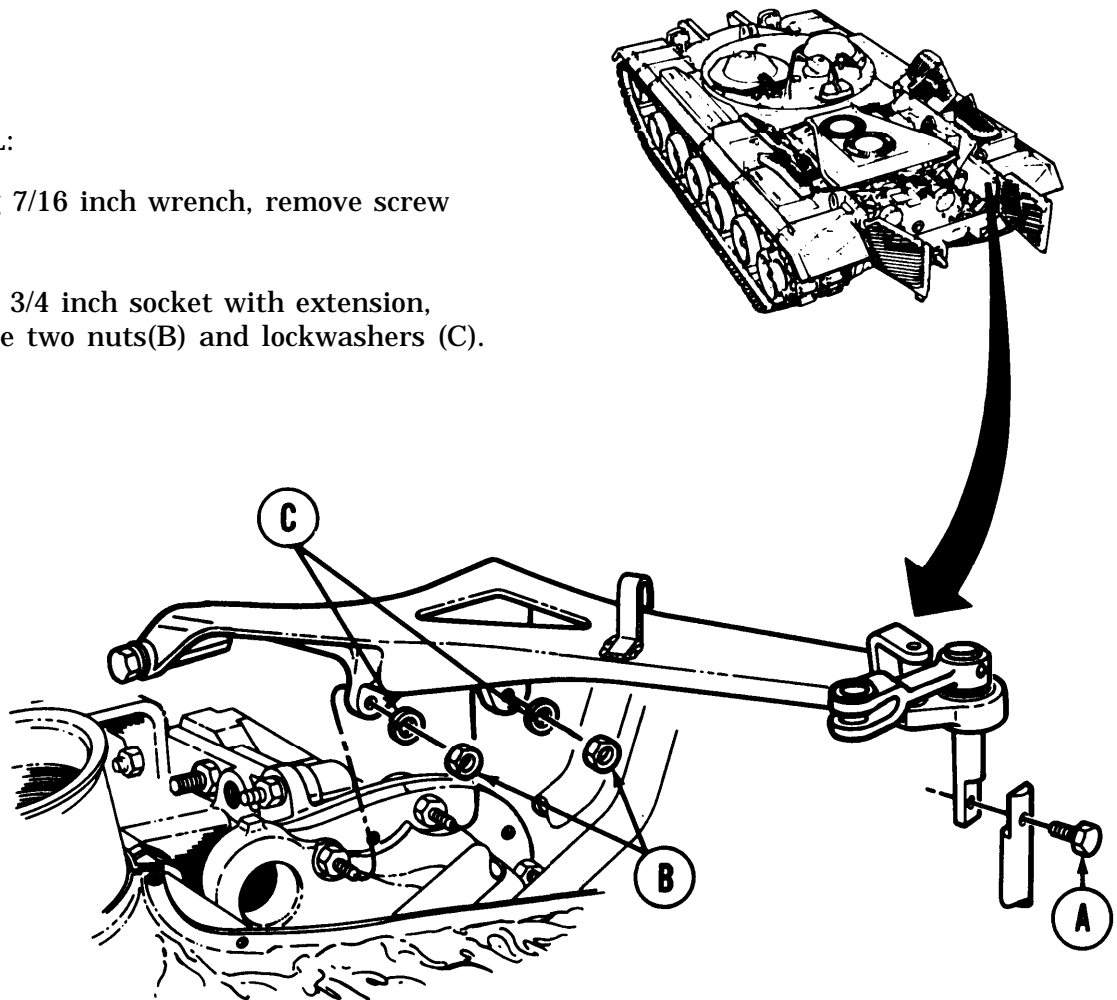
**SHIFTING CONTROL BRACKET ASSEMBLY AND CONNECTING LINK  
REPLACEMENT (Sheet 1 of 2)**

**TOOLS:** Hammer  
 1/8 in. drive punch  
 Ratchet with 1/2 in. drive  
 3/4 in. socket with 1/2 in. drive  
 2 in. extension with 1/2 in. drive  
 3/4 in. combination box and open end wrench (2 required)  
 7/16 in. combination box and open end wrench

**PRELIMINARY PROCEDURE:** Remove shifting control lever (page 11-35)

**REMOVAL:**

1. Using 7/16 inch wrench, remove screw (A).
2. Using 3/4 inch socket with extension, remove two nuts (B) and lockwashers (C).



Go onto Sheet 2

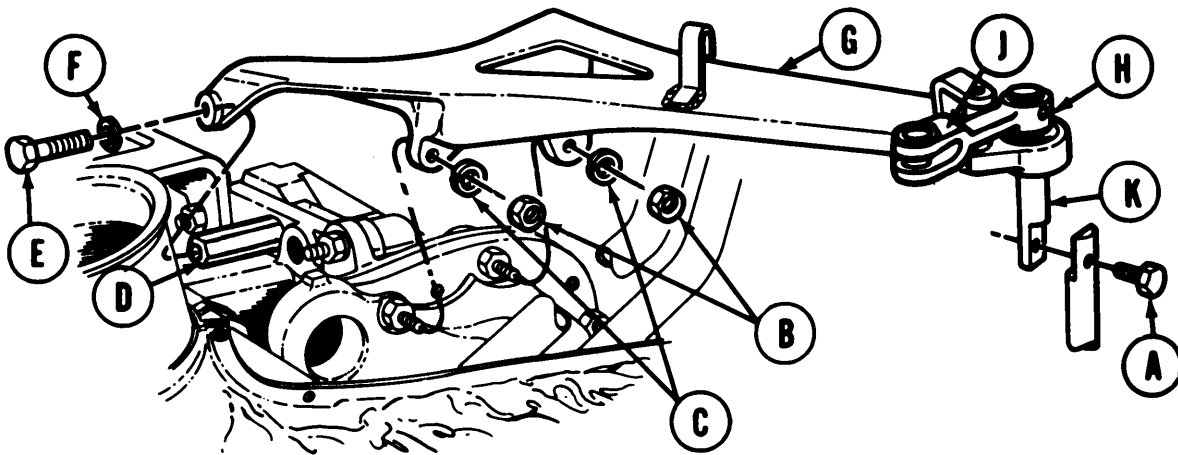
TA169040

**SHIFTING CONTROL BRACKET ASSEMBLY AND CONNECTING LINK  
REPLACEMENT (Sheet 2 of 2)**

3. Using 3/4 inch wrench to hold stud (D), use 3/4 inch wrench to remove screw (E) and lockwasher (F).
4. Remove bracket assembly (G) from transmission.
5. Using punch and hammer, remove spring pin (H). Throw pin away.
6. Remove lever (J).
7. Remove shaft (K).

**INSTALLATION:**

1. Install shaft (K) in bracket assembly (G).
2. Position lever (J) on shaft (K).
3. Using hammer, install new spring pin (H) through lever (J) and shaft (K).



4. Position bracket assembly (G) on transmission.
5. Using 3/4 inch socket with extension, install two nuts (B) and lockwashers (C).
6. Using 3/4 inch wrench, install screw (E) and lockwasher (F).
7. Using 7/16 inch wrench, install screw (A) through both parts of connecting link (K).
8. Install shifting control lever (page 11-37).

End of Task

TA169041

**BRACKET ASSEMBLY REPAIR (Sheet 1 of 1)**

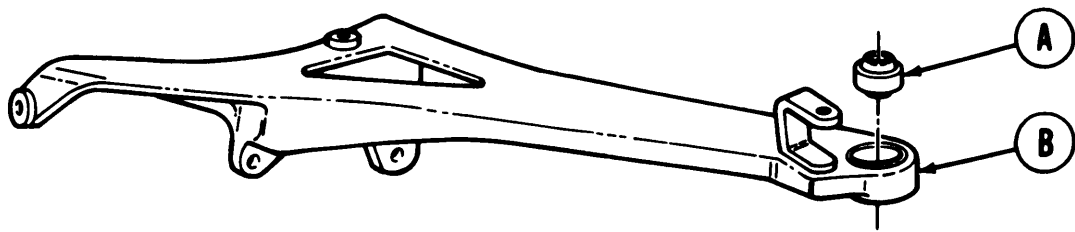
TOOLS: Hammer, 2 lb.  
 3/4 in. drive pin punch  
 Vise

REFERENCE: LO 5-5420-226-12

PRELIMINARY PROCEDURE: Remove bracket from vehicle (page 11-39)

INSPECTION:

Inspect bearing (A) for damage or wear



DISASSEMBLY:

Using hammer and punch, remove bearing (A).

ASSEMBLY:

1. Using vise, press bearing (A) in bracket (B).
2. Install bracket in vehicle (page 11-40).
3. Lubricate (LO 5-5420-226-12).

End of Task

TA169042

SHIFTING CONTROL BRACKET AND LINK ASSEMBLY REPAIR (Sheet 1 of 11)

PROCEDURE INDEX

PROCEDURE	PAGE
Removal	11-42
Disassembly	11-45
Inspection	11-47
Assembly	11-48
Installation	11-50

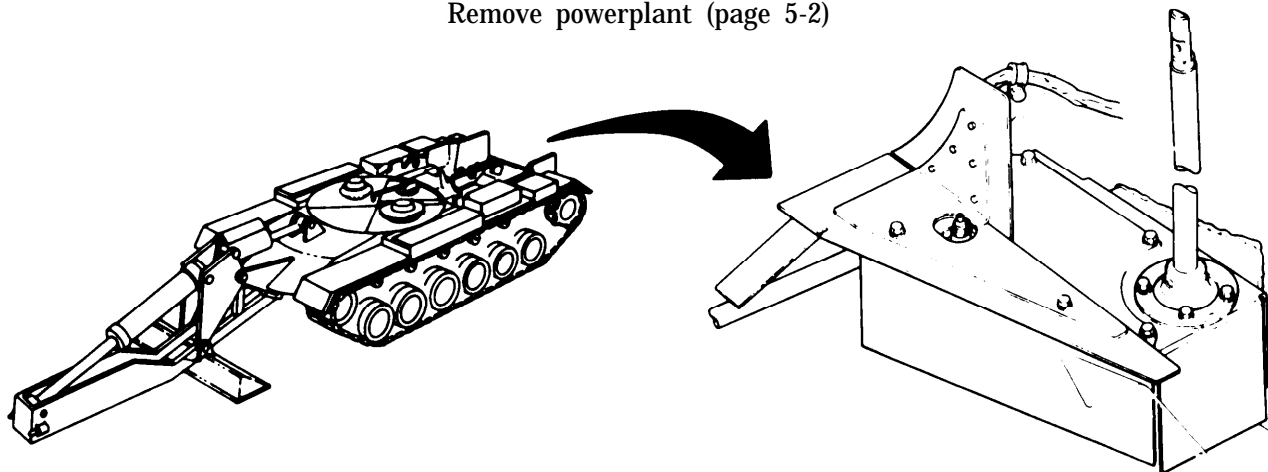
**TOOLS:** 7/16 in. socket with 1/2 in. drive  
 2 in. extension with 1/2 in. drive  
 5 in. extension with 1/2 in. drive  
 Ratchet with 1/2 in. drive  
 1/8 in. pin punch  
 Hammer  
 9/16 in. combination box and open end wrench (2 required)  
 3/4 in. combination box and open end wrench  
 7/16 in. combination box and open end wrench  
 9/16 in. socket with 1/2 in. drive  
 Grease gun  
 9/16 in. crowfoot adapter with 3/8 in. drive

Torque wrench with 1/2 in. drive (0 to 175 lb-ft) (0 to 237 N•m)  
 9/16 in. crow foot adapter with 1/2 in. drive  
 3/4 in. punch  
 5/16 in. combination box and open end wrench  
 1/4 in. combination box and open end wrench  
 6 in. rule  
 1/2 in. punch  
 Vise

**SUPPLIES:** Grease (Item 37, Appendix D)  
 Pencil (Item 79, Appendix D)  
 Paper (Item 80, Appendix D)  
 Lockwashers (8 required)

**REFERENCE:** TM 5-5420-226-10

**PRELIMINARY PROCEDURES:** Block tracks to prevent vehicle movement (TM 5-5420-226-10)  
 Remove powerplant (page 5-2)



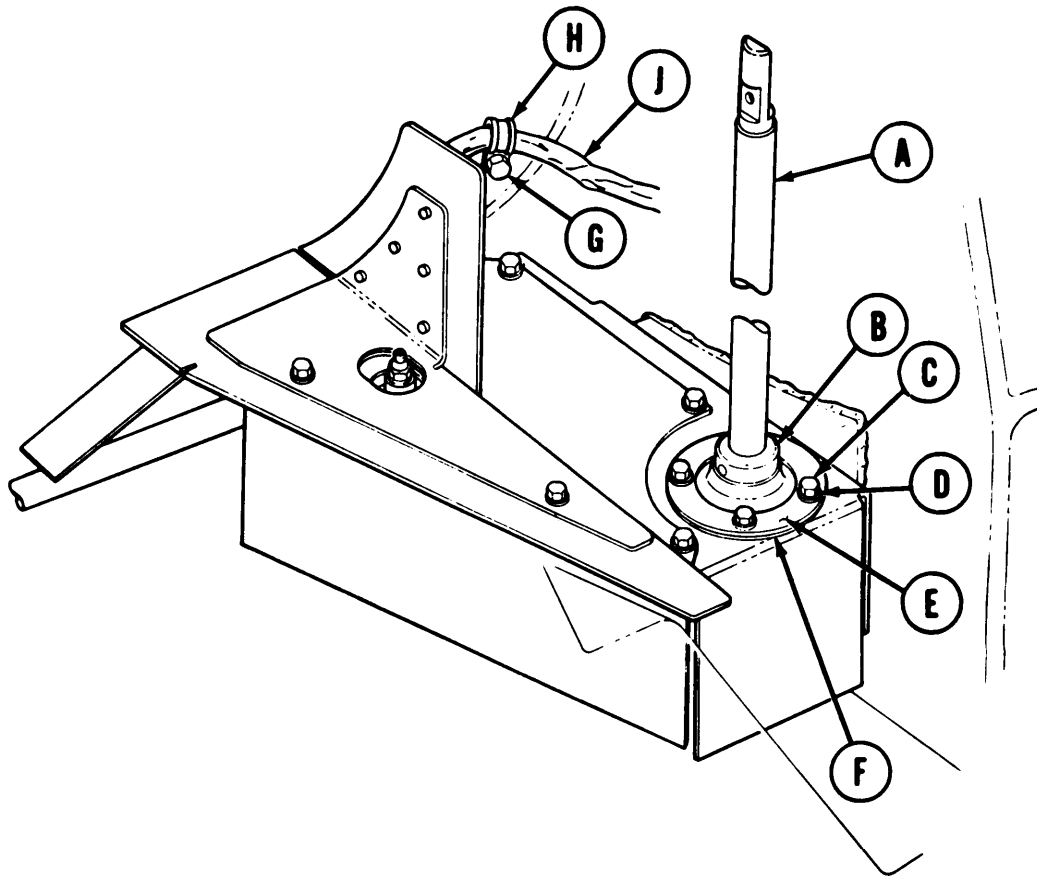
Go on to Sheet 2



## SHIFTING CONTROL BRACKET AND LINK ASSEMBLY REPAIR (Sheet 2 of 11)

## REMOVAL:

1. Remove shaft (A) from link assembly (B).
2. Using 7/16 inch socket, remove four screws (C) and washers (D) securing spacer (E) and gasket (F).
3. Remove spacer (E) and gasket (F). Throw gasket (F) away.
4. Using 7/16 inch wrench, remove screw (G) in clamp (H).
5. Remove clamp (H).
6. Push cable (J) aside.

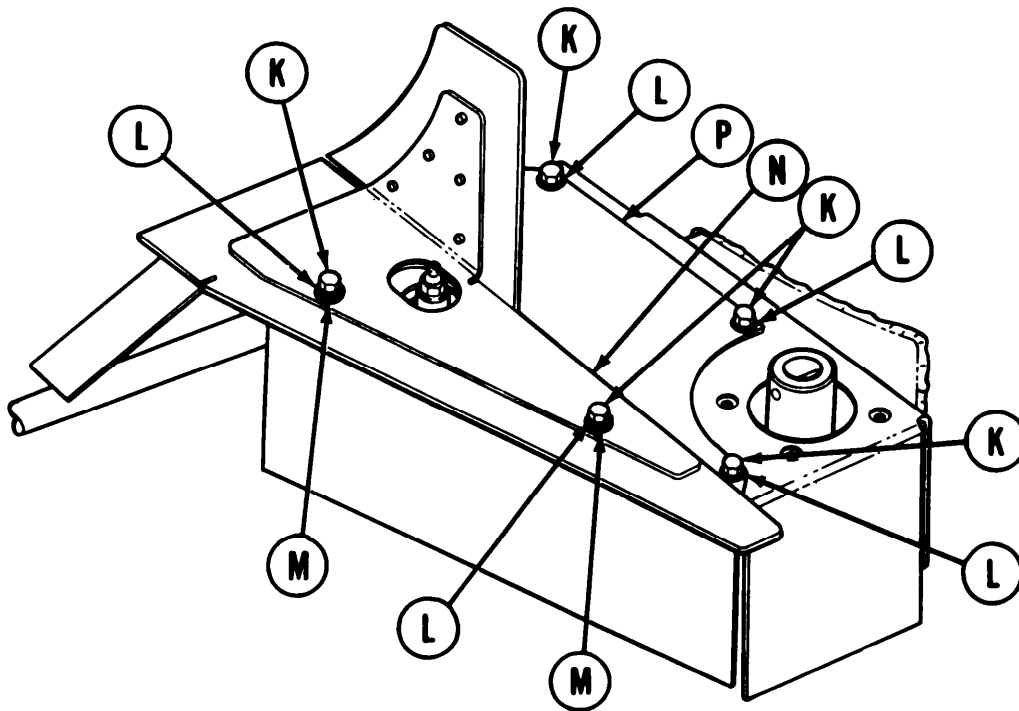


Go on to Sheet 3

TA169044

SHIFTING CONTROL BRACKET AND LINK ASSEMBLY REPAIR (Sheet 3 of 11)

7. Using 7/16 inch socket, remove five screws (K), five lockwashers (L), and two flat washers (M).
8. Remove seal assembly (N).
9. Remove shield (P).

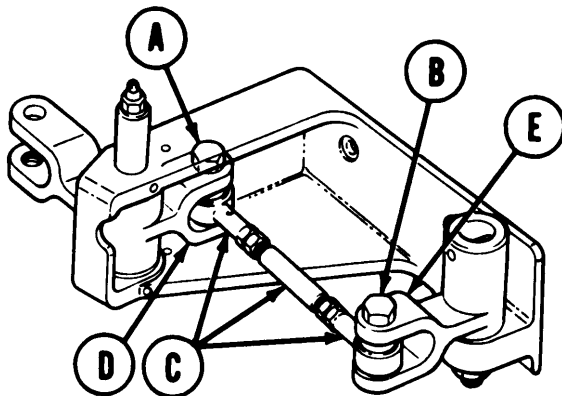
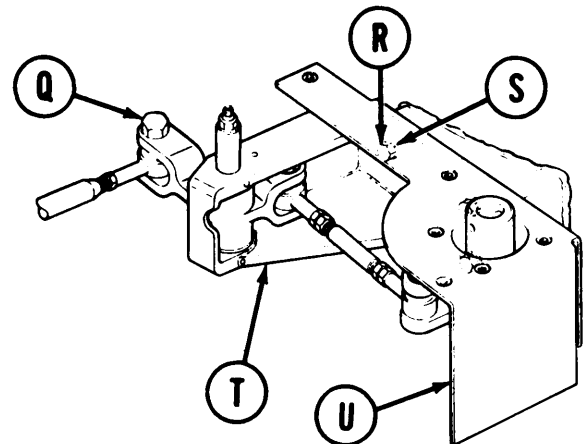


Go on to Sheet 4

TA169045

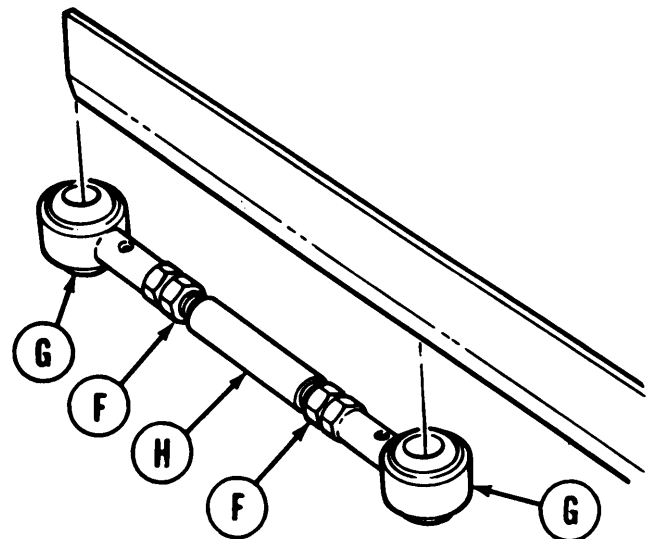
SHIFTING CONTROL BRACKET AND LINK ASSEMBLY REPAIR (Sheet 4 of 11)

10. Using 9/16 inch wrench, remove bolt (Q).
11. Using 9/16 inch socket and extension, remove three screws (R) and lock washers (S) securing bracket assembly (T) to hull.
12. Remove bracket assembly (T) and shield (U) from hull wall.



DISASSEMBLY:

1. Using 9/16 inch wrench, remove bolts (A) and (B).
2. Remove stud and rod end bearing assembly (C) from clevises (D) and (E).
3. Using 6 inch rule, measure center-to-center distance between holes in rod ends.
4. Using pencil and paper, write down center-to-center distance.
5. Using two 9/16 inch wrenches, back off nuts (F) from rod ends (G).
6. Using 9/16 inch wrench, remove rod ends (G) and nuts (F) from stud (H).

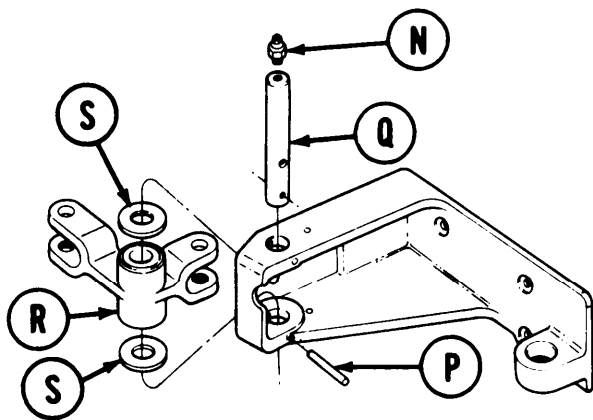
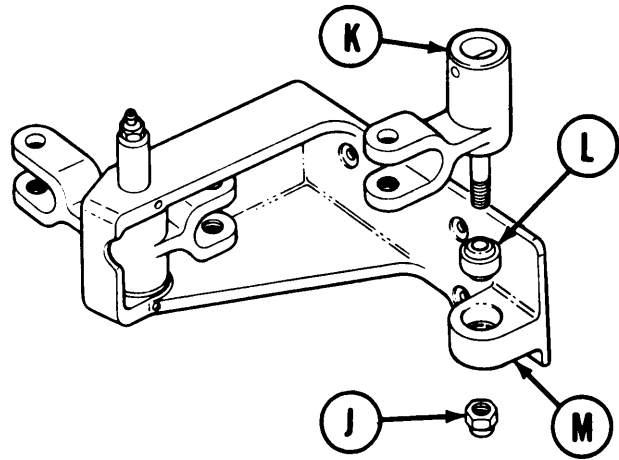


Go on to Sheet 5

TA169046

SHIFTING CONTROL BRACKET AND LINK ASSEMBLY REPAIR (Sheet 5 of 11),

7. Using 3/4 inch wrench, remove nut (J).
8. Remove link assembly (K).
9. Using 3/4 inch punch and hammer, remove bearing (L) from bracket (M).



10. Using 5/16 inch combination wrench, remove grease fitting (N).
11. Using hammer and 1/8 inch punch, remove pin (P).
12. Using hammer and 1/2 inch punch, remove pin (Q).
13. Remove link (R) and two washers (S).

Go on to Sheet 6

TA169047

## SHIFTING CONTROL BRACKET AND LINK ASSEMBLY REPAIR (Sheet 6 of 11)

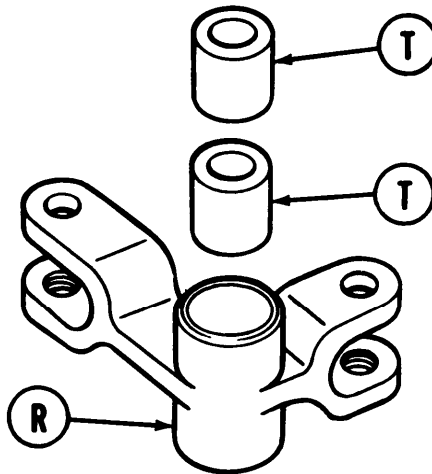
## NOTE

**If bearings (T) are to be replaced, perform steps 14 and 15.**

14. Using 1/8 inch punch and hammer, remove bearings (T).
15. Using vise, press two new bearings (T), one at a time, into link (R). Bearings (T) must be flush with outer surface of link (R).

## INSPECTION:

Inspect bearings, washers, and grease fitting for wear or damage. Replace as necessary.



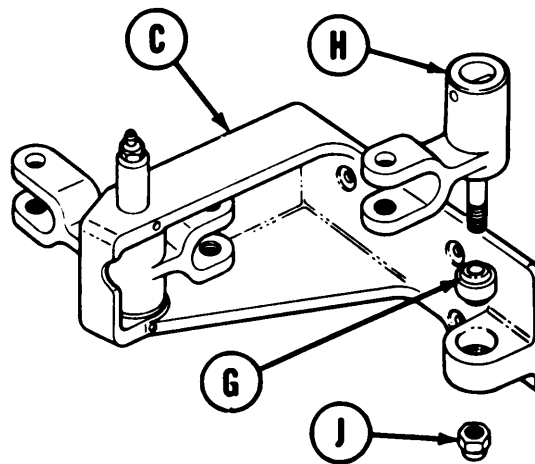
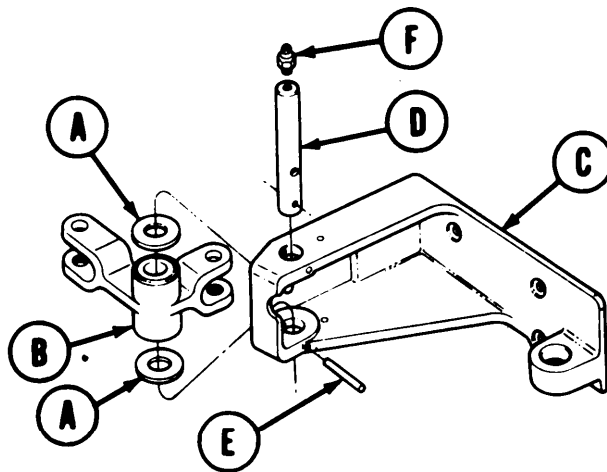
Go on to Sheet 7

TA169048

SHIFTING CONTROL BRACKET AND LINK ASSEMBLY REPAIR (Sheet 7 of 11)

ASSEMBLY:

1. Position two washers (A) on link (B).
2. Carefully position washers (A) and link (B) in bracket (C) with all holes aligned.
3. Position pin (D) under bracket (C) with pin hole aligned with pin hole in bracket (c).
4. Using hammer and 1/2 inch punch, install pin (D) through bracket (C), washers (A), and link (B).
5. Using hammer, install pin (E) through pin hole in bracket (C) and shaft (D).
6. Using 1/4 inch wrench, install grease fitting (F).
7. Using vise, install bearing (G) in bracket (C).
8. Position link assembly (H) on bracket (C).
9. Using 3/4 inch wrench, install nut (J) on link assembly (H).

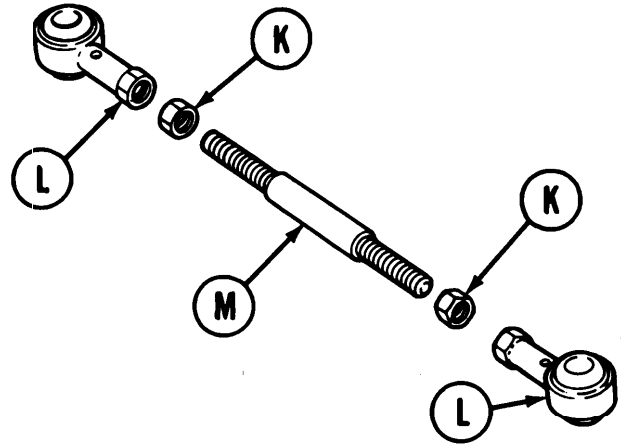


SHIFTING CONTROL BRACKET AND LINK ASSEMBLY REPAIR (Sheet 8 of 11)

10. Manually install nuts (K) and rod ends (L) on stud (M).

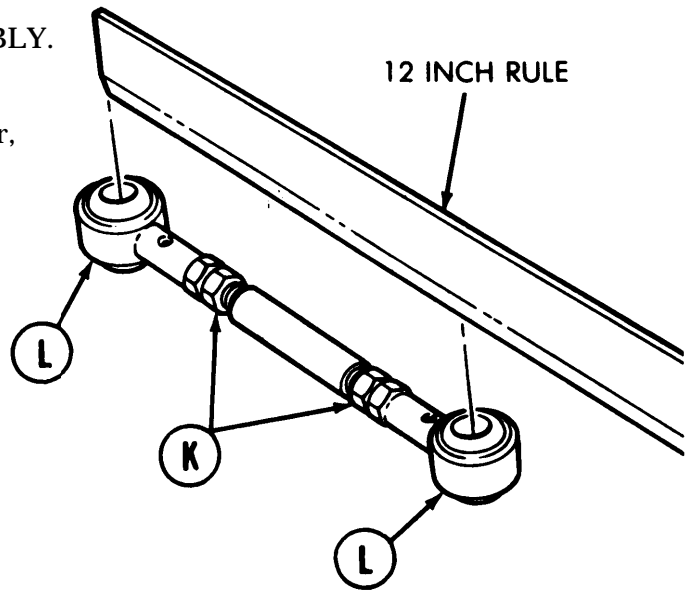
**NOTE**

**When adjusting clevises or rod ends, make certain that threads on control tubes extend past the gage opening in the rod end to ensure a positive grip.**



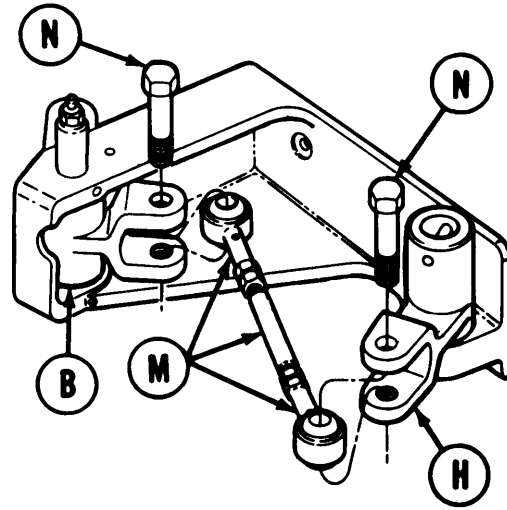
11. Using two 9/16 inch wrenches and 6 inch rule, adjust rod ends (L) to obtain the same center-to-center distance between rod end holes as measured and recorded in steps 3 and 4, DISASSEMBLY.

12. Using torque wrench and crow foot adapter, tighten nuts (K) against rod ends (L) to 16-18 lb-ft (22-24 N•m).



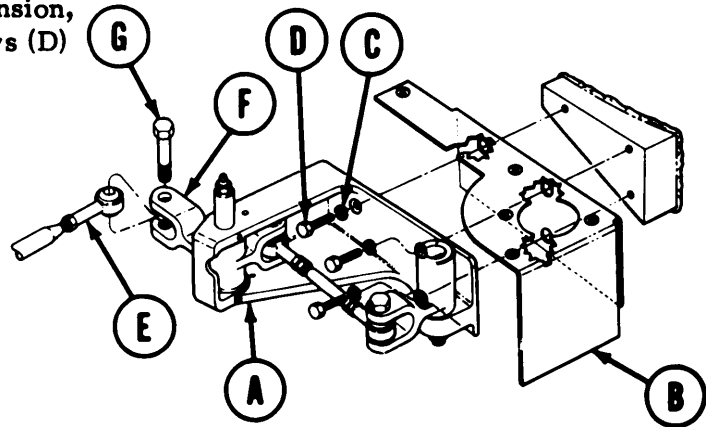
SHIFTING CONTROL BRACKET AND LINK ASSEMBLY REPAIR (Sheet 9 of 11)

13. Position stud and rod end bearing assembly (M) with rod end holes aligned with the clevis holes in link assemblies (B) and (H).
14. Using 9/16 inch wrench, install two bolts (N) through link assemblies (B) and (H) and stud and rod end bearing assembly (M).
15. Using torque wrench and 9/16 inch socket, tighten two bolts (N) to 15-20 lb-ft (20-27 N•m).



INSTALLATION:

1. Position bracket assembly (A) and shield (B) against hull wall with mounting holes aligned.
2. Using 9/16 inch socket and 5 inch extension, install three lockwashers (C) and screws (D) through bracket (A) and shield (B).
3. Using torque wrench, tighten three screws (D) to 15-20 lb-ft (20-27 N•m).
4. Position rod end (E) in clevis (F).
5. Using 9/16 inch combination wrench, install bolt (G) through clevis (F) and rod end (E).
6. Using torque wrench, tighten bolt (G) to 15-20 lb-ft (20-27 N•m).



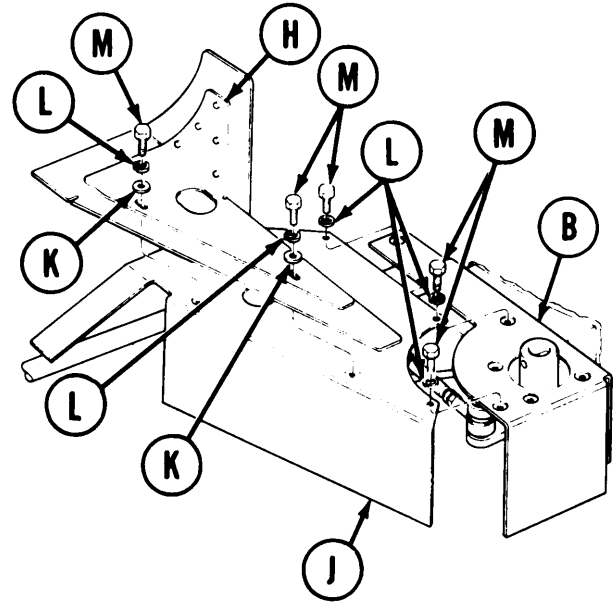
Go on to Sheet 10

TA169051

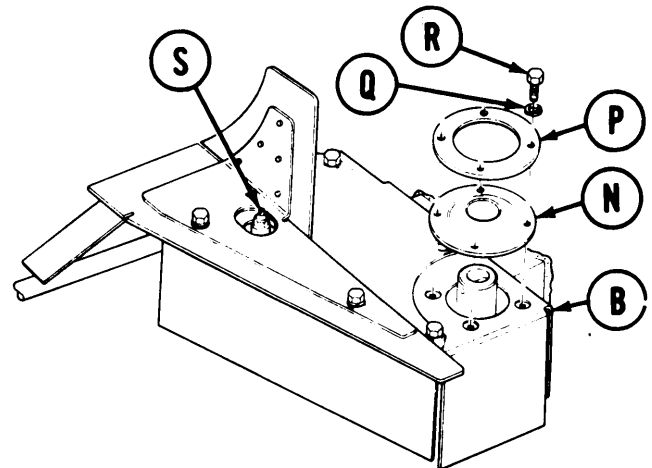


**SHIFTING CONTROL BRACKET AND LINK ASSEMBLY REPAIR (Sheet 10 of 11)**

7. Position seal assembly (H) over shield (J) with holes alined.
8. Position two flat washers (K) on seal assembly (H) with holes alined.
9. Using 7/16 inch socket, install five lockwashers (L) and screws (M) securing seal assembly (H) and shield (J) to shield (B).



10. Position new gasket (N) and spacer (P) on shield (B) with holes alined.
11. Using 7/16 inch socket, install four lockwashers (Q) and screws (R) through spacer (P) and gasket (N).
12. Using grease gun, lubricate link at grease fitting (S) with type GAA grease.

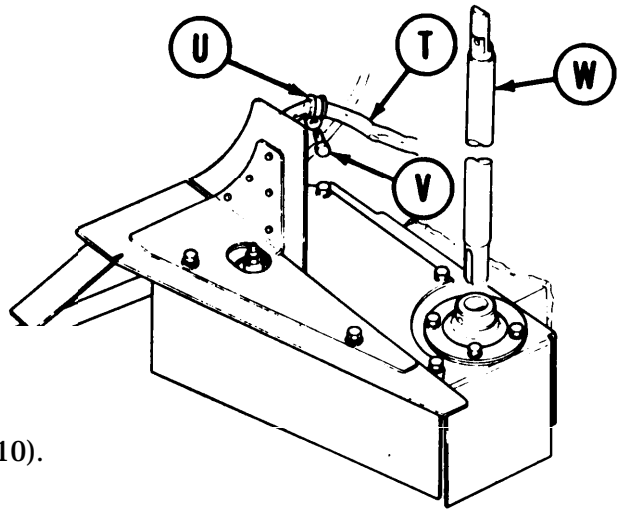


Go on to Sheet 11

TA169052

SHIFTING CONTROL BRACKET AND LINK ASSEMBLY REPAIR (Sheet 11 of 11)

13. Position cable (T) and clamp (U) on hull wall.
14. Using 7/16 inch combination wrench, install screw (V) through clamp (U).
15. Install shaft (W).
16. Install powerplant (page 5-14).
17. Adjust shifting controls and linkages (page 11-53).
18. Remove blocks from tracks (TM 5-5420-226-10).



End of Task

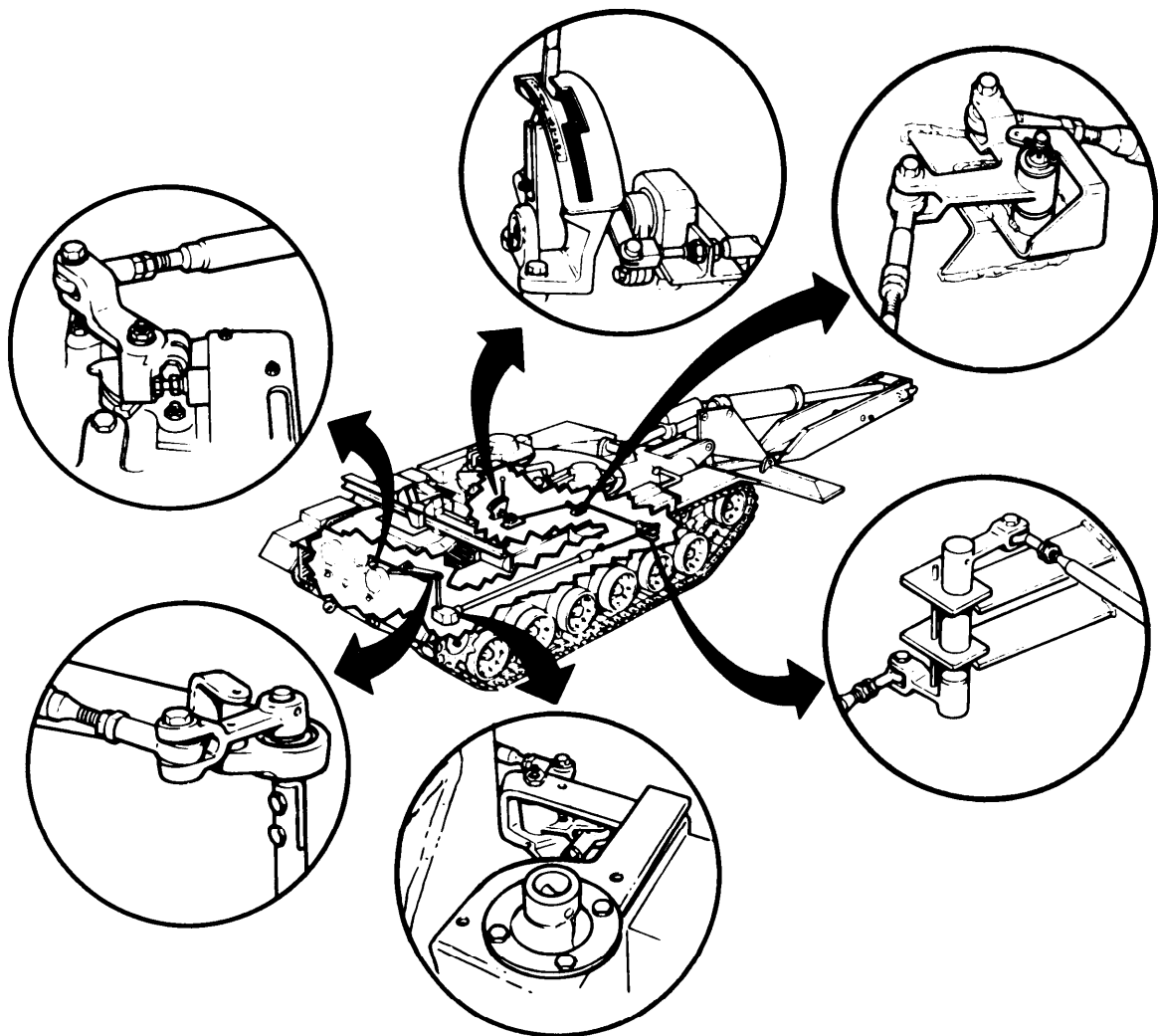
**SHIFT LINKAGE ADJUSTMENT (Sheet 1 of 28)**

**TOOLS:** 7/16-in. socket with 1/2-in. drive  
 Ratchet with 1/2-in. drive  
 9/16-in. combination box and open end wrench (2 required)  
 Torque wrench with 1/2-in. drive (0 to 175 lb-ft) (0 to 237 N•m)  
 7/16 in. combination box and open end wrench  
 Bench vise  
 9/16-in. socket with 1/2-in. drive  
 9/16-in. crowfoot adapter with 3/8-in. drive

**SUPPLIES:** Locating pins (1/8-in. diameter by 2-1/2 in. long copper rod).  
 Wire (0.06 in. diameter by 2-in. long) (Item 61, Appendix D)

**REFERENCES:** TM 5-5420-226-10

**PRELIMINARY PROCEDURES:** Block tracks and place transmission shift lever in neutral  
 (TM 5-5420-226-10)  
 Remove top deck (page 16-21)  
 Remove transmission shroud (page 9-2)

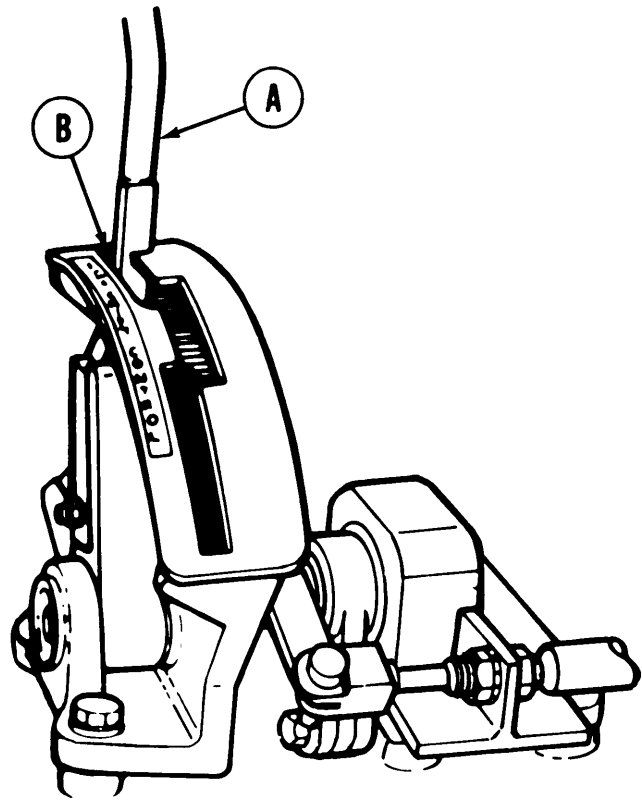


Go on to Sheet 2

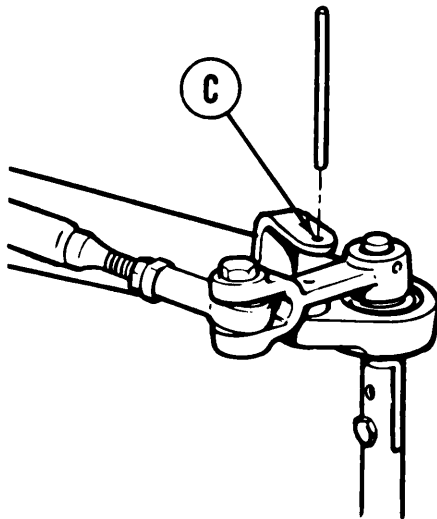
SHIFT LINKAGE ADJUSTMENT (Sheet 2 of 28)

ADJUSTMENT:

1. Try to move transmission shift lever (A) to P position (B). If transmission shift lever can not be moved to P position, go to step 4. If transmission shift lever can be moved to P position go on to step 2.



DRIVER'S STATION



RIGHT REAR OF VEHICLE

2. Go to right rear of vehicle and try to insert locating pin into alignment hole (C). If locating pin can not be inserted, go to step 9. If locating pin can be inserted, remove locating pin and go on to step 3.

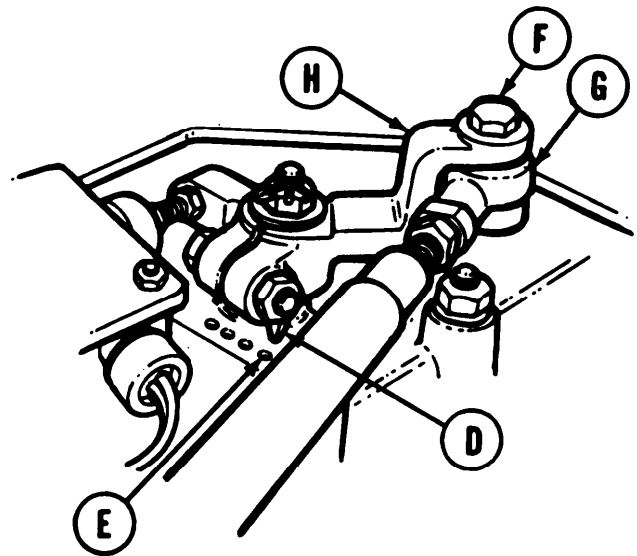
**SHIFT LINKAGE ADJUSTMENT (Sheet 3 of 28)**

- At top of transmission, check position of shifting position indicator (D). If shifting position indicator (D) is pointing to most forward dot (E), notify support maintenance.

**NOTE**

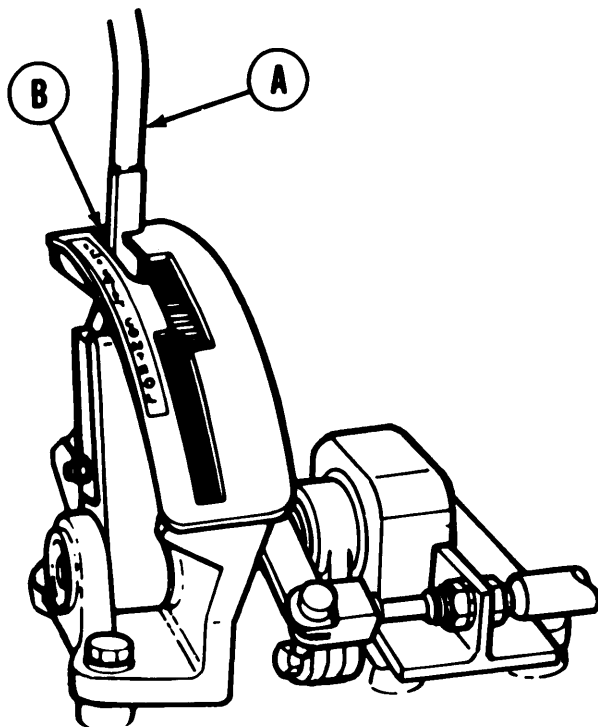
**Linkage is in adjustment, but transmission malfunction is indicated.**

**If shifting position indicator (D) is not pointing to most forward dot (E), go to step 126.**



TOP OF TRANSMISSION

- At top of transmission, using 9/16 inch wrench, remove screw (F) and remove shifting rod bearing end (G) from clevis (H).



DRIVER'S STATION

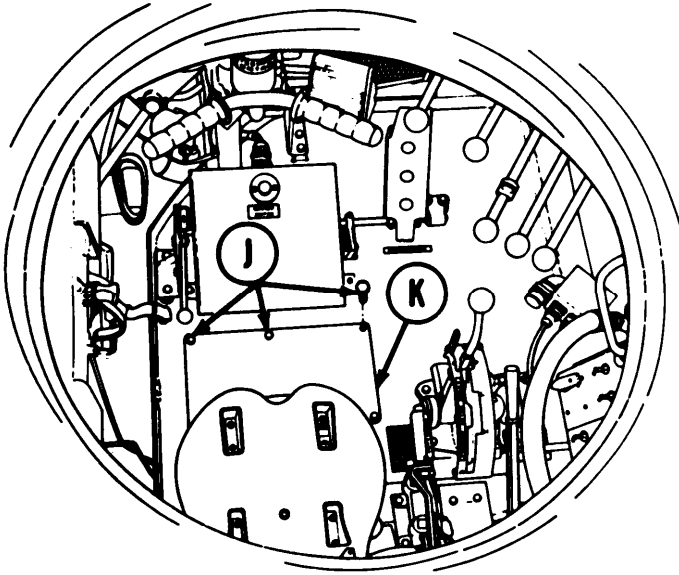
- At driver's station, move transmission shift lever (A) to P position (B).

Go on to Sheet 4

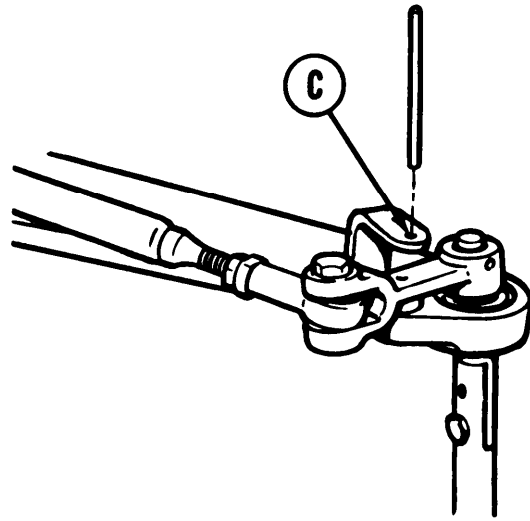
TA169056

SHIFT LINKAGE ADJUSTMENT (Sheet 4 of 28)

6. Go to right rear of tank and try to insert locating pin into alignment hole (C). If locating pin can not be inserted, go to step 7. If locating pin can be inserted, go to step 126.

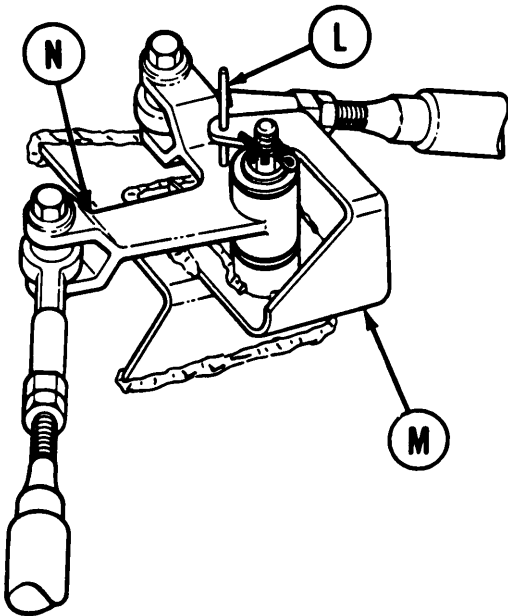


DRIVER'S STATION



RIGHT REAR OF VEHICLE

7. At driver's station, using 9/16 inch wrench, remove six bolts (J) securing access plate (K) to floor in front of driver's seat.
8. Remove access plate (K).
9. At forward inboard link assembly, try to insert locating pin (L) into alignment holes in bracket (M) and link (N). If locating pin (L) can be inserted, remove locating pin (L) and go to step 39. If locating pin (L) can not be inserted go on to step 10.

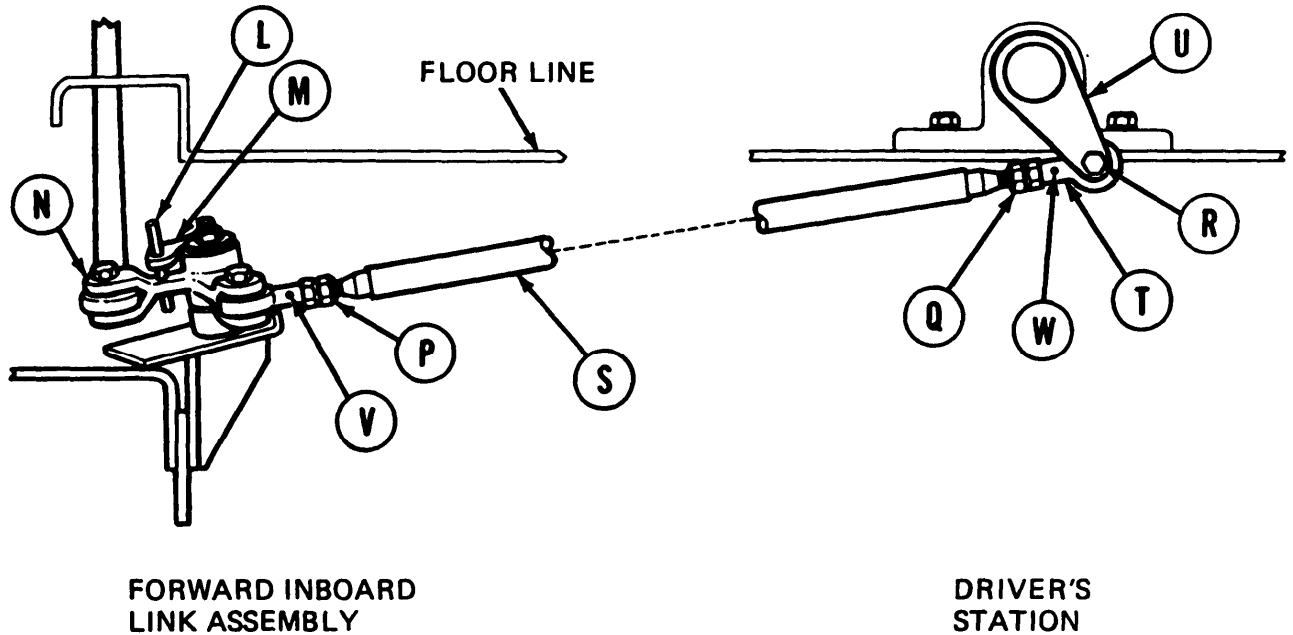


FORWARD INBOARD LINK ASSEMBLY

Go on to Sheet 5

TA169057

SHIFT LINKAGE ADJUSTMENT (Sheet 5 of 28)

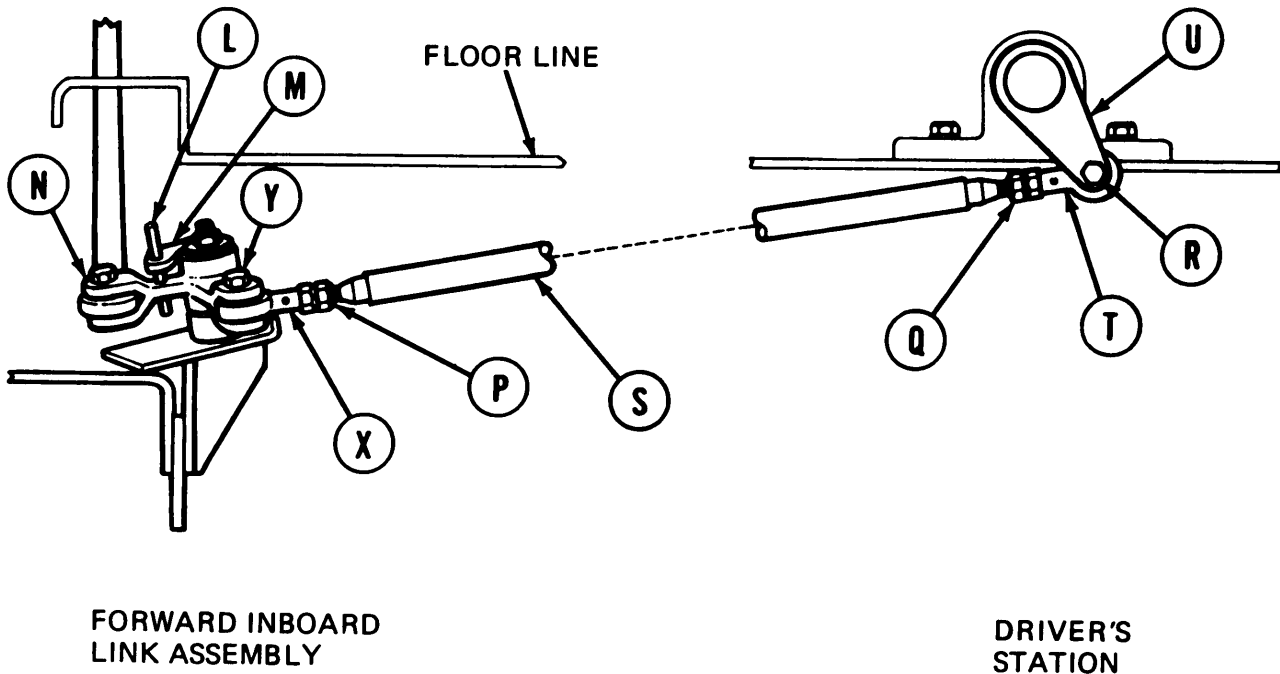


10. Using 9/16 inch wrench, loosen jamnuts (P) and (Q).
11. Using 9/16 inch wrench, remove screw (R).
12. Manually move shifting rod (S) and insert locating pin (L) into alignment holes in bracket (M) and link (N).
13. Using 9/16 inch wrench, adjust shifting rod bearing end (T) by turning clockwise or counterclockwise until screw (R) will slip freely through link (U) and shifting rod bearing end (T).
14. Using small diameter wire, check to see if shifting rod (S) is past holes (V) and (W). If shifting rod (S) is past holes (V) and (W), do steps 15 thru 18. If shifting rod (S) is not past hole (W), do steps 19 thru 28. If shifting rod (S) is not past hole (V) go on to step 29.

Go on to Sheet 6

TA169058

SHIFT LINKAGE ADJUSTMENT (Sheet 6 of 28)



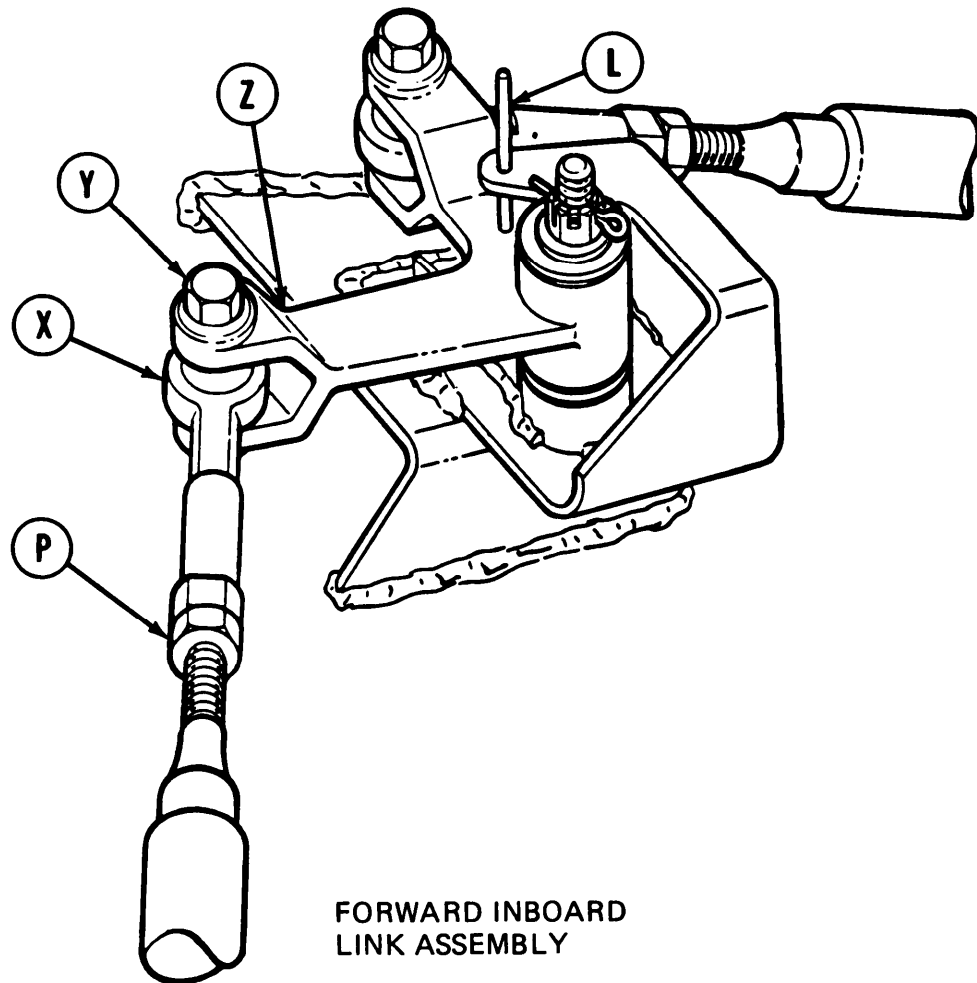
15. Using 9/16 inch wrench, install screw (R) through link (U) and shifting rod bearing end (T).
16. Holding rod bearing ends (T) and (X) with 9/16 inch wrench, use torque wrench and 9/16 inch crowfoot adapter to tighten jarnuts (P) and (Q) to 16-18 lb-ft (22-24 N•m).
17. Remove locating pin (L) from alignment holes in bracket (M) and link (N).
18. Using torque wrench and 9/16 inch socket, tighten screw (R) to 16-18 lb-ft (22-24 N•m) and go to step 39.
19. Using 9/16 inch wrench, adjust shifting rod bearing end (T) clockwise until shifting rod (S) is past hole (W).
20. Using 9/16 inch wrench, remove screw (Y).
21. Using 9/16 inch wrench, install screw (R) through link (U) and shifting rod bearing end (T).
22. Holding rod bearing end (T) with 9/16 inch wrench, use torque wrench and 9/16 inch crow foot adapter to tighten jarnut (Q) to 16-18 lb-ft (22-24 N•m).
23. Using torque wrench and 9/16 inch socket, tighten screw (R) to 16-18 lb-ft (22-24 N•m).

Go on to Sheet 7

TA169059



## SHIFT LINKAGE ADJUSTMENT (Sheet 7 of 28)

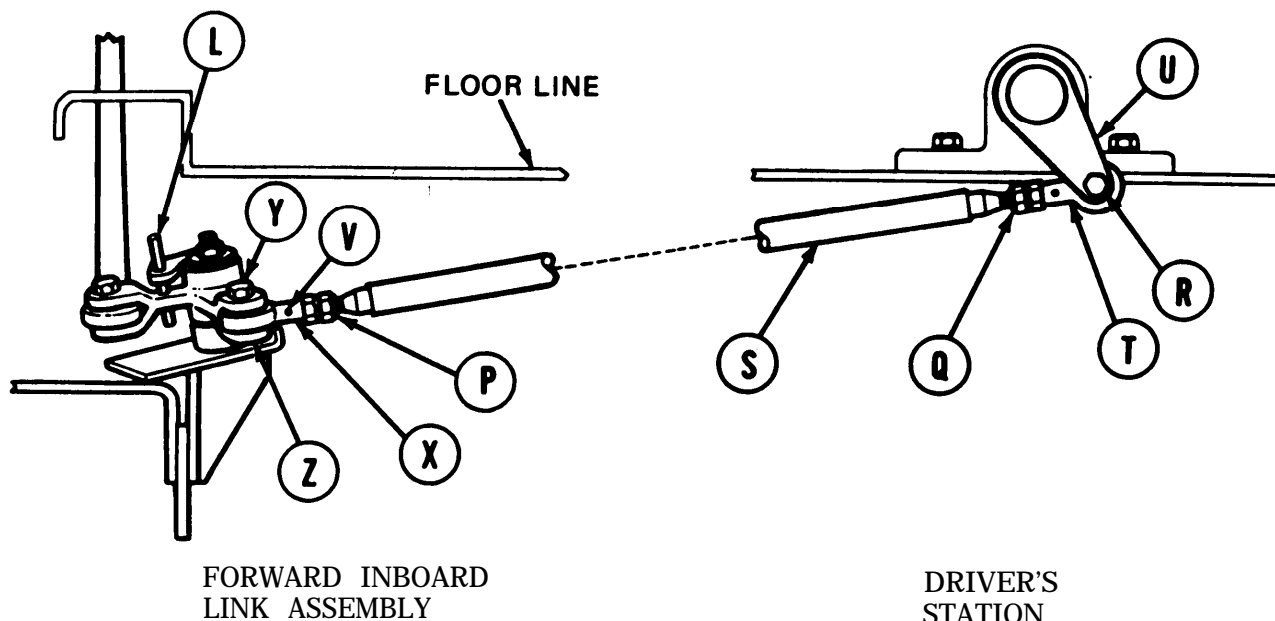
FORWARD INBOARD  
LINK ASSEMBLY

24. Using 9/16 inch wrench, adjust shifting rod bearing end (X) by turning clockwise or counter-clockwise until screw (Y) will drop freely through clevis (Z) and shifting rod bearing end (X).
25. Using 9/16 inch wrench, install screw (Y) through clevis (Z) and shifting rod bearing end (X).
26. Holding rod bearing end (X) with 9/16 inch wrench, use torque wrench and 9/16 inch crow foot adapter to tighten jamnut (P) to 16-18 lb-ft (22-24 N•m).
27. Remove locating pin (L) from alignment holes.
28. Using torque wrench and 9/16 inch socket, tighten screw (Y) to 16-18 lb-ft (22-24 N•m) and go to step 39.

Go on to Sheet 8

TA169060

SHIFT LINKAGE ADJUSTMENT (Sheet 8 of 28)



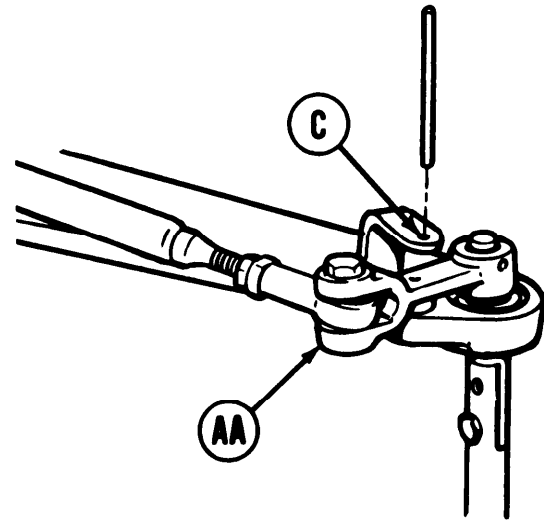
29. Using 9/16 inch wrench, remove screw (Y) and remove shifting rod bearing end (X) from clevis (Z).
30. Using 9/16 inch wrench, adjust shifting rod bearing end (X) clockwise until shifting rod (S) is past hole (V).
31. Using 9/16 inch wrench, install screw (Y) through clevis (Z) and shifting rod bearing end (X).
32. Holding rod bearing end (X) with 9/16 inch wrench, use torque wrench and 9/16 inch crow foot adapter to tighten jamnut (P) to 16-18 lb-ft (22-24 N•m).
33. Using torque wrench and 9/16 inch socket, tighten screw (Y) to 16-18 lb-ft (22-24 N•m).
34. Using 9/16 inch wrench, adjust shifting rod bearing end (T) by turning clockwise or counter-clockwise until screw (R) will slide freely through clevis (U) and shifting rod bearing end (T).
35. Using 9/16 inch wrench, install screw (R) through clevis (U) and shifting rod bearing end (T).
36. Holding rod bearing end (T) with 9/16 inch wrench, use torque wrench and 9/16 inch crow foot adapter to tighten jamnut (Q) to 16-18 lb-ft (22-24 N•m).
37. Remove locating pin (L) from alinement holes.
38. Using torque wrench and 9/16 inch socket, tighten screw (R) to 16-18 lb-ft (22-24 N•m).

Go on to Sheet 9

TA169061

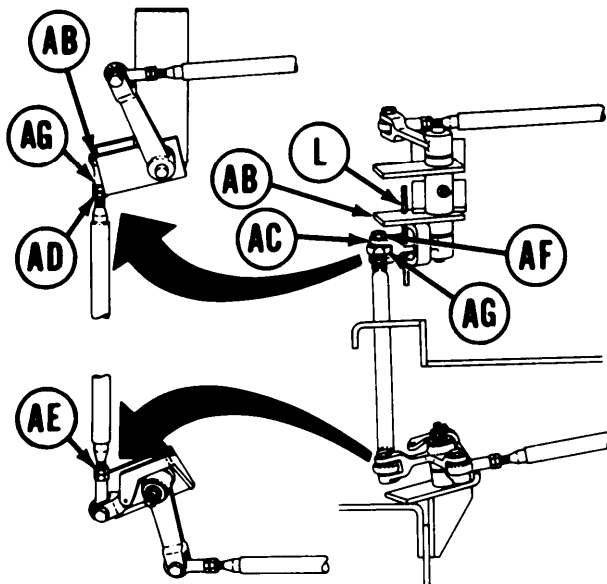
**SHIFT LINKAGE ADJUSTMENT (Sheet 9 of 28)**

39. Go to right rear of vehicle and try to insert locating pin into alinement hole (C) and through clevis (AA). If locating pin can be inserted, shift linkage is in adjustment. Remove locating pin and go to step 125. If locating pin can not be inserted, go on to step 40.



**RIGHT REAR OF VEHICLE**

**FORWARD OUTBOARD LINK ASSEMBLY**



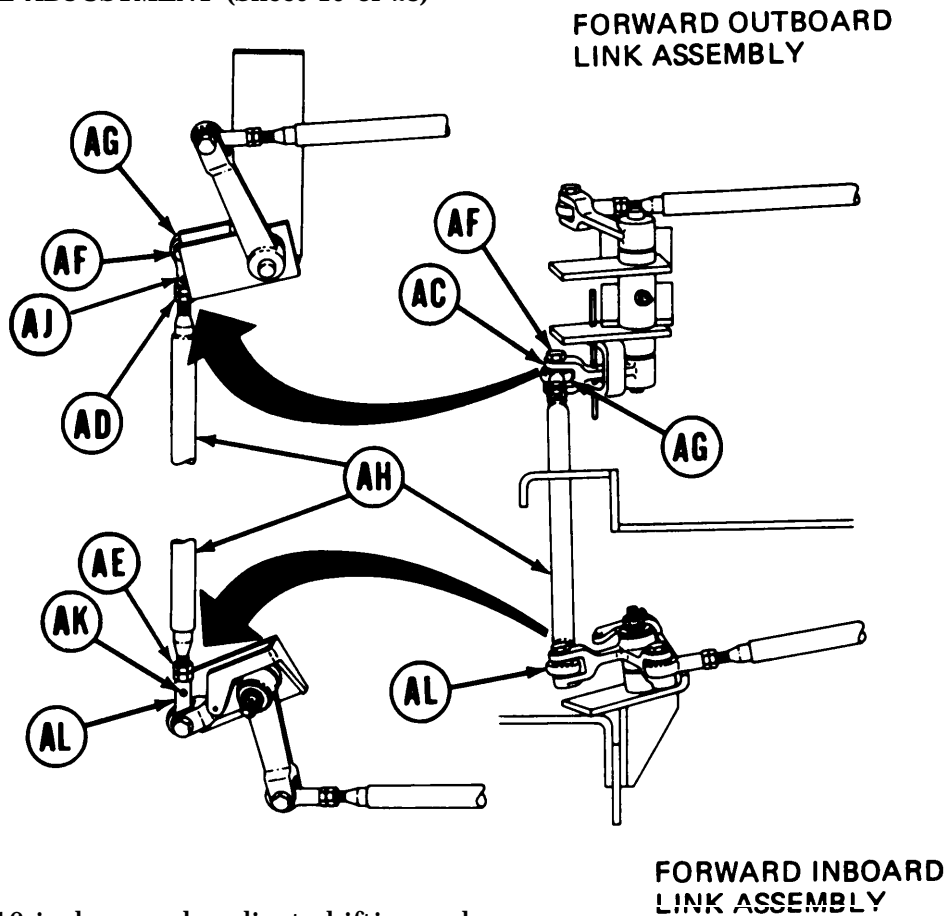
**FORWARD INBOARD LINK ASSEMBLY**

40. Try to insert locating pin (L) into alinement holes in support (AB) and link (AC). If locating pin (L) can be inserted, remove locating pin (L) and go to step 68. If locating pin (L) cannot be inserted, go on to step 41.
41. Using 9/16 inch wrench, loosen jamnuts (AD) and (AE).
42. Using 9/16 inch wrench, remove screw (AF) and remove shifting rod bearing end (AG) from clevis (AC).
43. Manually move clevis (AC) and insert locating pin (L) into alinement holes in support (AB) and link (AC).

Go on to Sheet 10

TA169062

SHIFT LINKAGE ADJUSTMENT (Sheet 10 of 28)

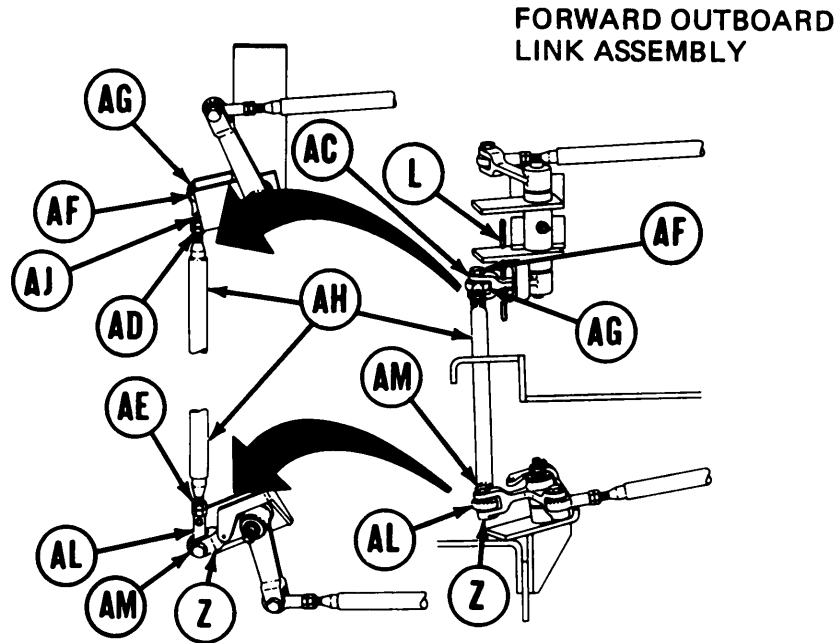


44. Using 9/16 inch wrench, adjust shifting rod bearing end (AG) by turning clockwise or counterclockwise until screw (AF) will drop freely through clevis (AC) and shifting rod bearing end (AG).
45. Using small diameter wire, check to see if shifting rod (AH) is past holes (AJ) and (AK). If shifting rod (AH) is past holes (AJ) and (AK), do steps 46 thru 48. If shifting rod (AH) is not past hole (AJ), do steps 49 thru 57. If shifting rod (AH) is not past hole (AK), go on to step 58.
46. Using 9/16 inch wrench, install screw (AF) through clevis (AC) and shifting rod bearing end (AG).
47. Holding rod bearing ends (AG) and (AL) with 9/16 inch wrench, use torque wrench and 9/16 inch crow foot adapter to tighten jamnuts (AD) and (AE) to 16-18 lb-ft (22-24 N•m).
48. Using torque wrench and 9/16 inch socket, tighten screw (AF) to 16-18 lb-ft (22-24 N•m) and go on to step 68.

Go on to Sheet 11

TA169063

SHIFT LINKAGE ADJUSTMENT (Sheet 11 of 28)

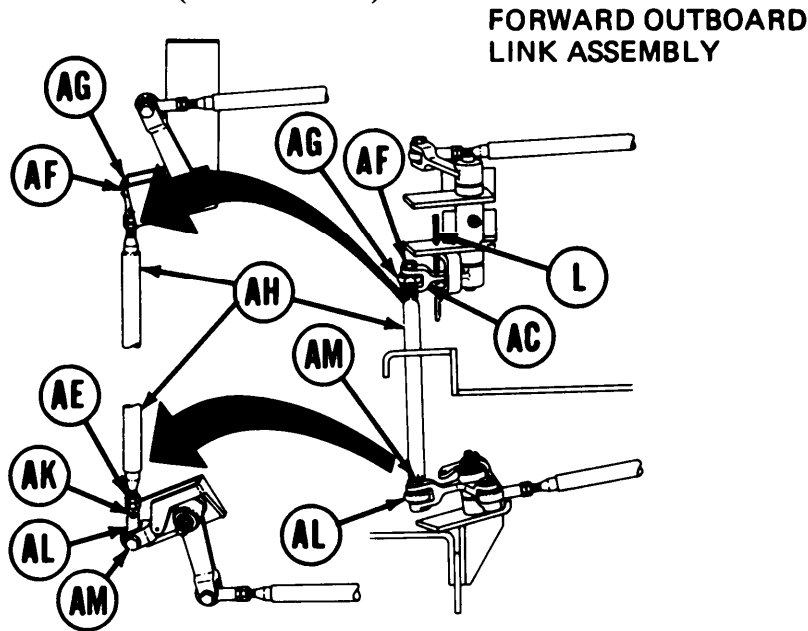


49. Using 9/16 inch wrench, adjust shifting rod bearing end (AG) clockwise until shifting rod (AH) is past hole (AJ).
50. Using 9/16 inch wrench, remove screw (AM).
51. Using 9/16 inch wrench, install screw (AF) through clevis (AC) and shifting rod bearing end (AG).
52. Holding rod bearing end (AL) with 9/16 inch wrench, use torque wrench and 9/16 inch crow foot adapter to tighten jamnut (AD) to 16-18 lb-ft (22-24 N•m).
53. Using torque wrench and 9/16 inch socket, tighten screw (AF) to 16-18 lb-ft (22-24 N•m).
54. Using 9/16 inch wrench, adjust shifting rod bearing end (AL) by turning clockwise or counterclockwise until screw (AM) will drop freely through clevis (Z) and shifting rod bearing end (AL).
55. Using 9/16 inch wrench, install screw (AM).
56. Holding rod bearing end (AL) with 9/16 inch wrench, use torque wrench and 9/16 inch crow foot adapter to tighten jamnut (AE) to 16-18 lb-ft (22-24 N•m) and remove locating pin (L).
57. Using torque wrench and 9/16 inch socket, tighten screw (AM) to 16-18 lb-ft (22-24 N•m) and go on to step 68.

Go on to Sheet 12

TA169064

SHIFT LINKAGE ADJUSTMENT (Sheet 12 of 28)



FORWARD OUTBOARD LINK ASSEMBLY

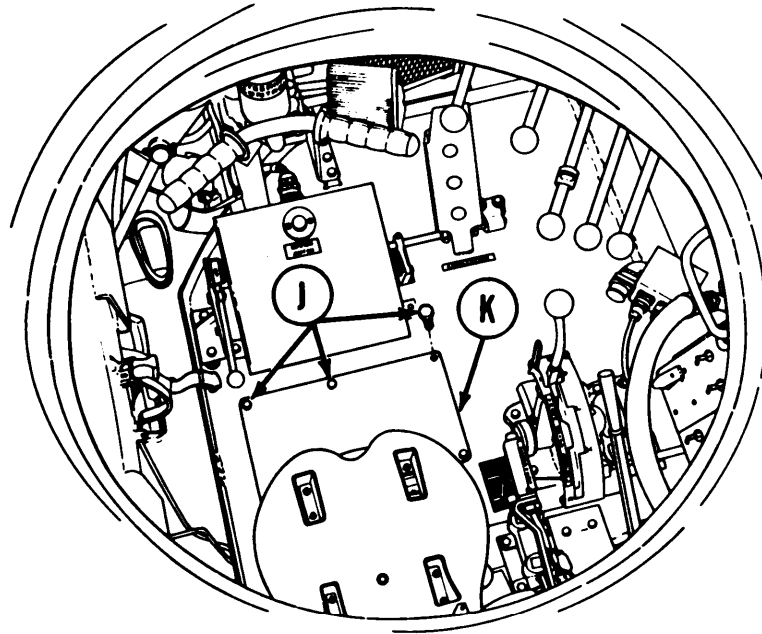
58. Using 9/16 inch wrench, remove screw (AM).
59. Using 9/16 inch wrench, adjust shifting rod bearing end (AL) by turning clockwise until shifting rod (AH) is past hole (AK).
60. Using 9/16 inch wrench, install screw (AM).
61. Holding rod bearing end (AL) with 9/16 inch wrench, use torque wrench and 9/16 inch crow-foot adapter to tighten jamnut (AE) to 16-18 lb-ft (22-24 N•m).
62. Using torque wrench and 9/16 inch socket, tighten screw (AM) to 16-18 lb-ft (22-24 N•m).
63. Using 9/16 inch wrench, adjust shifting rod bearing end (AG) by turning clockwise or counterclockwise until screw (AF) will drop freely through clevis (AC) and shifting rod bearing end (AG).
64. Using 9/16 inch wrench, install screw (AM).
65. Holding rod bearing end (AL) with 9/16 inch wrench, use torque wrench and 9/16 inch crow foot adapter to tighten jamnut (AE) to 16-18 lb-ft (22-24 N•m).
66. Remove locating pin (L) from alignment holes.
67. Using torque wrench and 9/16 inch socket, tighten screw (AF).

FORWARD INBOARD LINK ASSEMBLY

Go on to Sheet 13

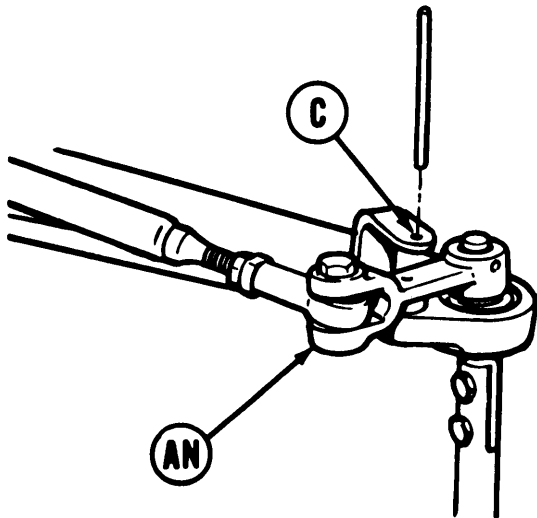
TA169065

## SHIFT LINKAGE ADJUSTMENT (Sheet 13 of 28)



DRIVER'S STATION

68. At driver's station, use 9/16 inch wrench to install six bolts (J) and secure access plate (K) to floor in front of driver's seat.



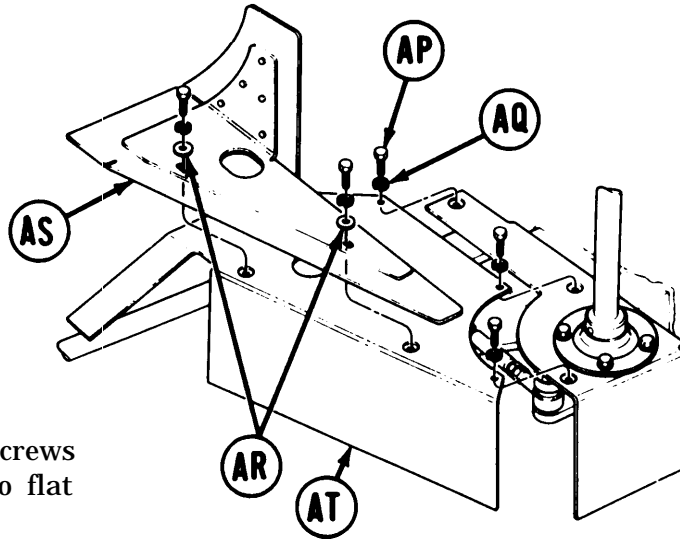
69. Go to right rear of vehicle and try to insert locating pin into alignment hole (C) and through link (AN). If locating pin can be inserted, shift linkage is in adjustment. Remove locating pin and go to step 125. If locating pin can not be inserted, go on to step 70.

70. Remove powerplant (page 5-2).

Go on to Sheet 14

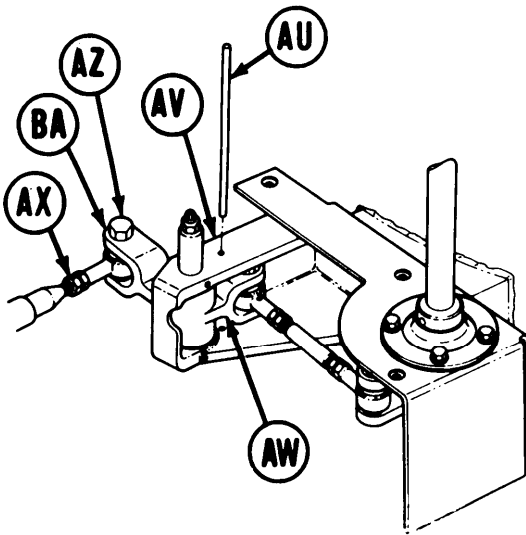
TA169066

SHIFT LINKAGE ADJUSTMENT (Sheet 14 of 28)

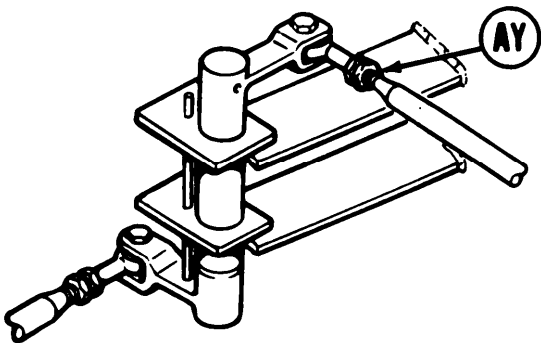


RIGHT REAR OF  
ENGINE COMPARTMENT

71. Using 7/16 inch socket, remove five screws (AP), five lockwashers (AQ), and two flat washers (AR).
72. Manually remove seal assembly (AS) and shield (AT).



73. Try to insert locating pin (AU) into alignment holes in bracket (AV) and link (AW). If locating pin (AU) can be inserted, go to step 102. If locating pin cannot be inserted, go on to step 74.
74. Using 9/16 inch wrench, loosen jamnuts (AX) and (AY).
75. Using 9/16 inch wrench, remove screw (AZ).
76. Manually move clevis (BA) and insert locating pin (AU) into alignment holes in bracket (AV) and link (AW).



FORWARD OUTBOARD  
LINK ASSEMBLY

Go on to Sheet 15

TA169067

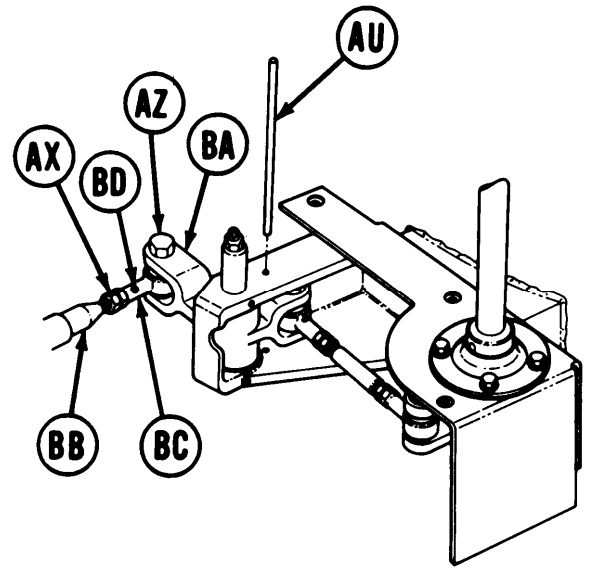


SHIFT LINKAGE ADJUSTMENT (Sheet 15 of 28)

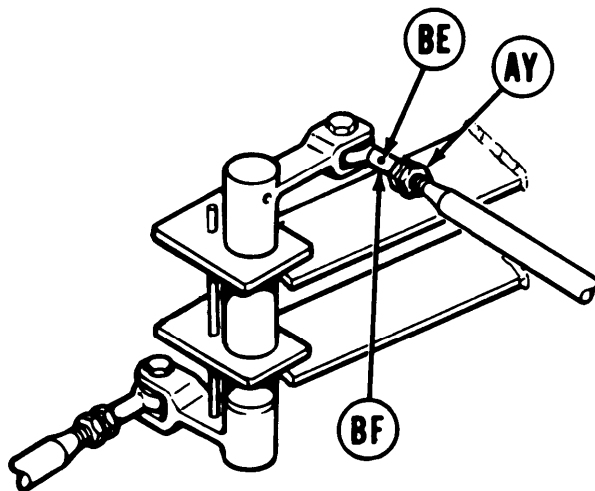
NOTE

Do not allow shifting rod (BB) to turn while doing step 77. Shifting rod (BB) is made up of more than one piece and may come apart if allowed to turn.

77. Using 9/16 inch wrench, adjust shifting rod bearing end (BC) by turning clockwise or counterclockwise until screw (AZ) will drop freely through clevis (BA) and shifting rod bearing end (BC).



RIGHT REAR OF ENGINE COMPARTMENT



FORWARD OUTBOARD LINK ASSEMBLY

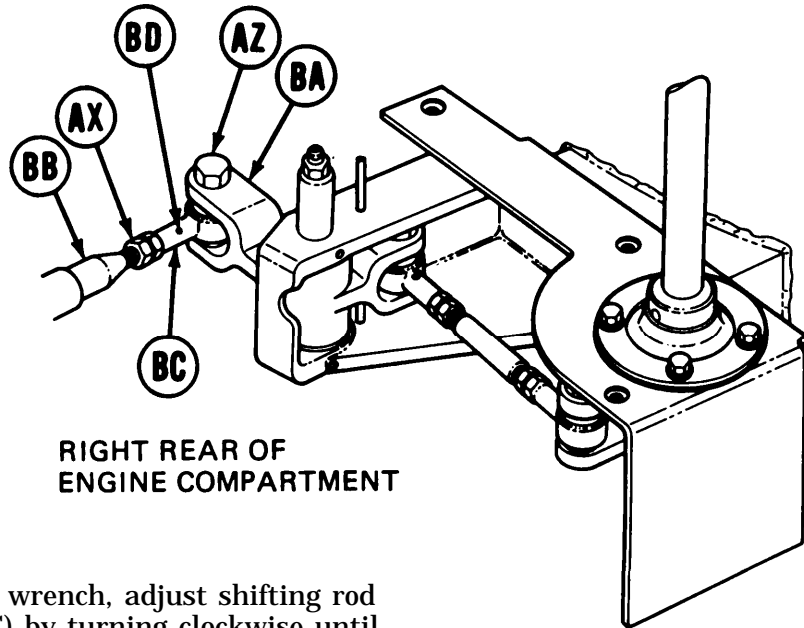
78. Using small diameter wire, check to see if shifting rod (BB) is past holes (BD) and (BE). If shifting rod (BB) is past holes (BD) and (BE), do steps 79 thru 81. If shifting rod (BB) is not past hole (BD), do steps 82 thru 91. If shifting rod (BB) is not past hole (BE), go on to step 92.

79. Using 9/16 inch wrench, install screw (AZ).
80. Holding rod bearing ends (BC) and (BF) with 9/16 inch wrench, use torque wrench and 9/16 inch crow foot adapter to tighten jamnuts (AX) and (AY) to 16-18 lb-ft (22-24 N•m) and remove locating pin (AU) from alignment holes.
81. Using torque wrench and 9/16 inch socket, tighten screw (AZ) to 16-18 lb-ft (22-24 N•m) and go to step 102.

Go on to Sheet 16

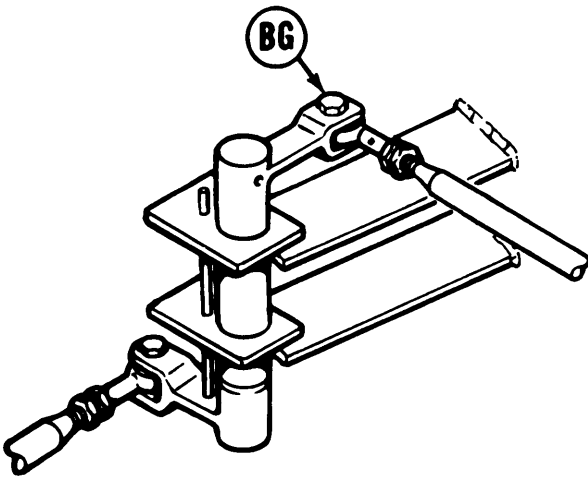
TA169068

SHIFT LINKAGE ADJUSTMENT (Sheet 16 of 28)



RIGHT REAR OF  
ENGINE COMPARTMENT

82. Using 9/16 inch wrench, adjust shifting rod bearing end (BC) by turning clockwise until shifting rod (BB) is past hole (BD).
83. Using 9/16 inch wrench, remove screw (BG).



FORWARD OUTBOARD  
LINK ASSEMBLY

84. Using 9/16 inch wrench, install screw (AZ) through clevis (BA) and shifting rod bearing end (BC).

85. Holding rod bearing end (BC) with 9/16 inch wrench, use torque wrench and 9/16 inch crowfoot adapter to tighten jamnut (AX) to 16-18 lb-ft (22-24 N•m).
86. Using torque wrench and 9/16 inch socket, tighten screw (AZ) to 16-18 lb-ft (22-24 N•m).

Go on to Sheet 17

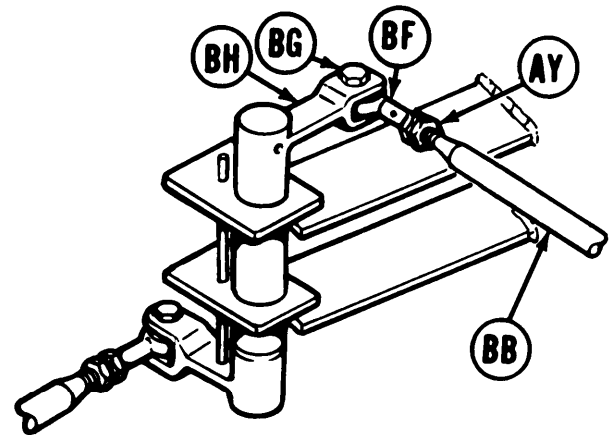
TA169069

SHIFT LINKAGE ADJUSTMENT (Sheet 17 of 28)

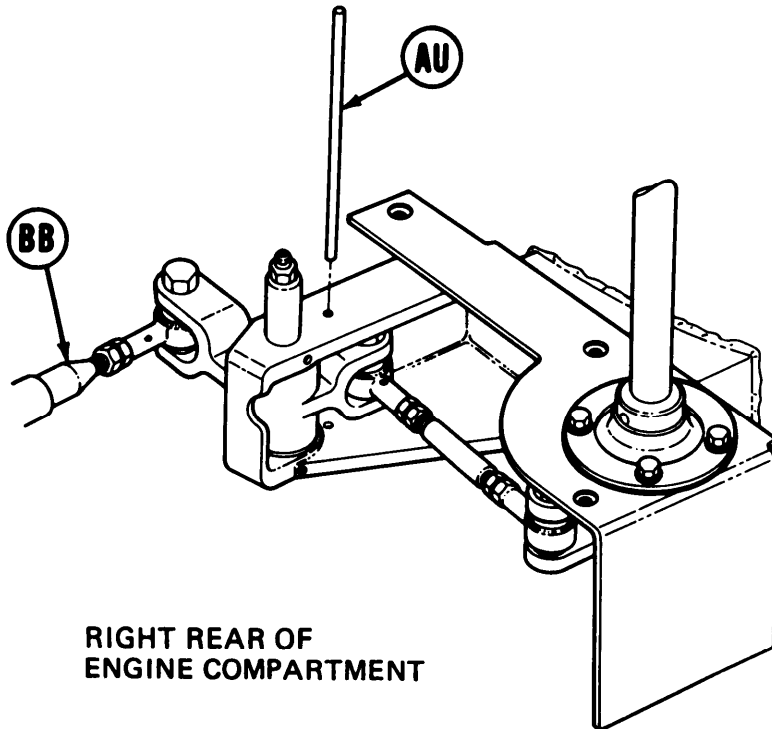
NOTE

Do not allow shifting rod (BB) to turn while doing step 87. Shifting rod (BB) is made up of more than one piece and may come apart if allowed to turn.

87. Using 9/16 inch wrench, adjust shifting rod bearing end (BF) by turning clockwise or counterclockwise until screw (BG) will drop freely through clevis (BH) and shifting rod bearing end (BF).



FORWARD OUTBOARD LINK ASSEMBLY

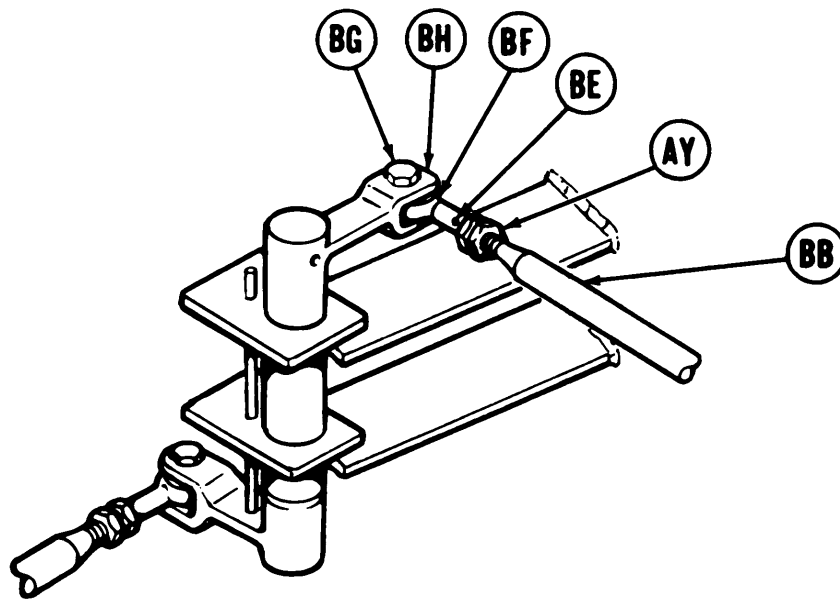


RIGHT REAR OF ENGINE COMPARTMENT

88. Using 9/16 inch wrench, install screw (BG).
89. Holding rod bearing end (BF) with 9/16 inch wrench, use torque wrench and 9/16 inch crow-foot adapter to tighten jamnut (AY) to 16-18 lb-ft (22-24 N•m).
90. Remove locating pin (AU) from alignment holes.
91. Using torque wrench and 9/16 inch socket, tighten screw (BG) to 16-18 lb-ft (22-24 N•m) and go on to step 102.

Go on to Sheet 18

TA169070



FORWARD OUTBOARD  
LINK ASSEMBLY

92. Using 9/16 inch wrench, remove screw (BG).

**NOTE**

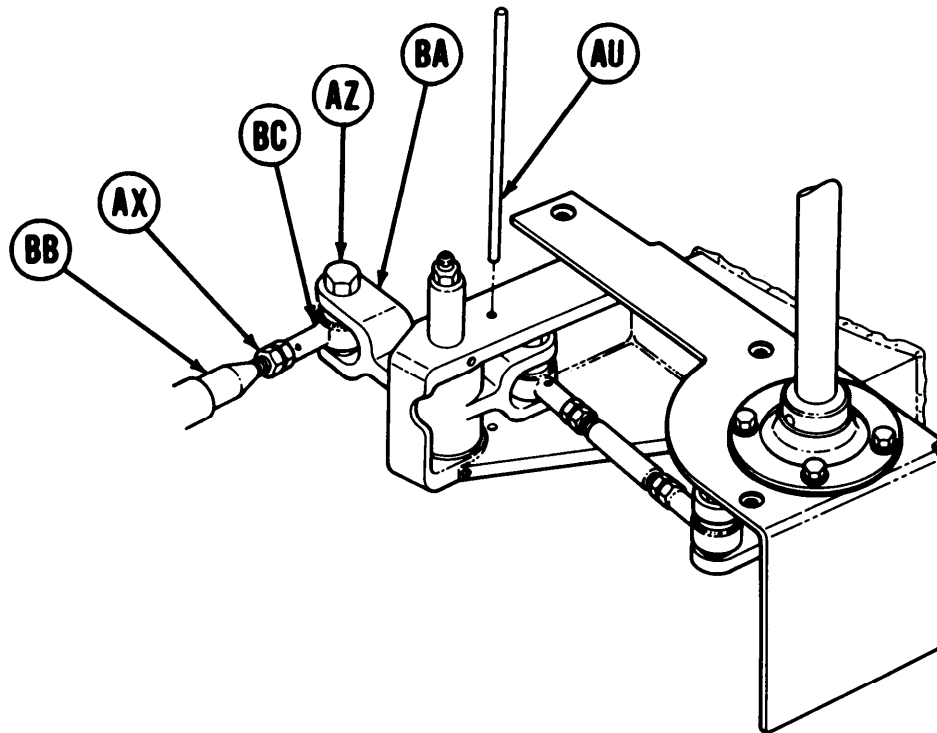
**Do not allow shifting rod (BB) to turn while doing step 93. Shifting rod (BB) is made up of more than one piece and may come apart if allowed to turn.**

93. Using 9/16 inch wrench, adjust shifting rod bearing end (BF) by turning clockwise until shifting rod (BB) is past hole (BE).
94. Using 9/16 inch wrench, install screw (BG) through clevis (BH) and shifting rod bearing end (BF).
95. Holding rod bearing end (BF) with 9/16 inch wrench use torque wrench and 9/16 inch crow foot adapter to tighten jamnut (AY) to 16-18 lb-in (N•m).
96. Using torque wrench and 9/16 inch socket, tighten screw (BG) to 16-18 lb-ft (22-24 N•m).

Go on to Sheet 19

TA169071

## SHIFT LINKAGE ADJUSTMENT (Sheet 19 of 28)

RIGHT REAR OF  
ENGINE COMPARTMENT

## NOTE

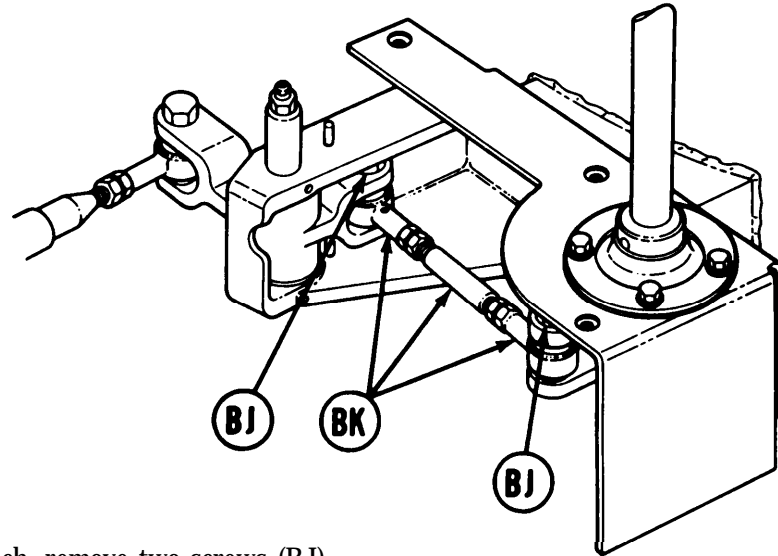
**Do not allow shifting rod (BB) to turn while doing step 97. Shifting rod (BB) is made up of more than one piece and may come apart if allowed to turn.**

97. Using 9/16 inch wrench, adjust shifting rod bearing rod end (BC) by turning clockwise or counterclockwise until screw (AZ) will drop freely through clevis (BA) and shifting rod bearing end (BC).
98. Using 9/16 inch wrench, install screw (AZ).
99. Holding rod bearing end (BC) with 9/16 inch wrench, use torque wrench and 9/16 inch crow foot adapter to tighten jamnut (AX) to 16-18 lb-ft (22-24 N•m).
100. Remove locating pin (AU) from alignment holes.
101. Using torque wrench and 9/16 inch socket, tighten screw (AZ) to 16-18 lb-ft (22-24 N•m).

Go on to Sheet 20

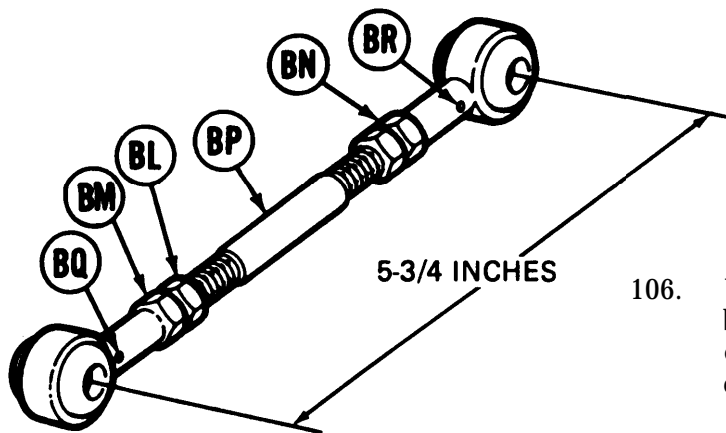
TA169072

SHIFT LINKAGE ADJUSTMENT (Sheet 20 of 28)



RIGHT REAR OF  
ENGINE COMPARTMENT

102. Using 9/16 inch wrench, remove two screws (BJ).
103. Manually remove stud and rod end bearing assembly (BK).
104. Using 6 inch rule, measure center to center distance between rod end holes. If measurement is 5-3/4 inches, assembly is in adjustment and go to step 119. If measurement is not 5-3/4 inches, go on to step 105.
105. Using vise and 9/16 inch wrench, loosen jamnut (BL).



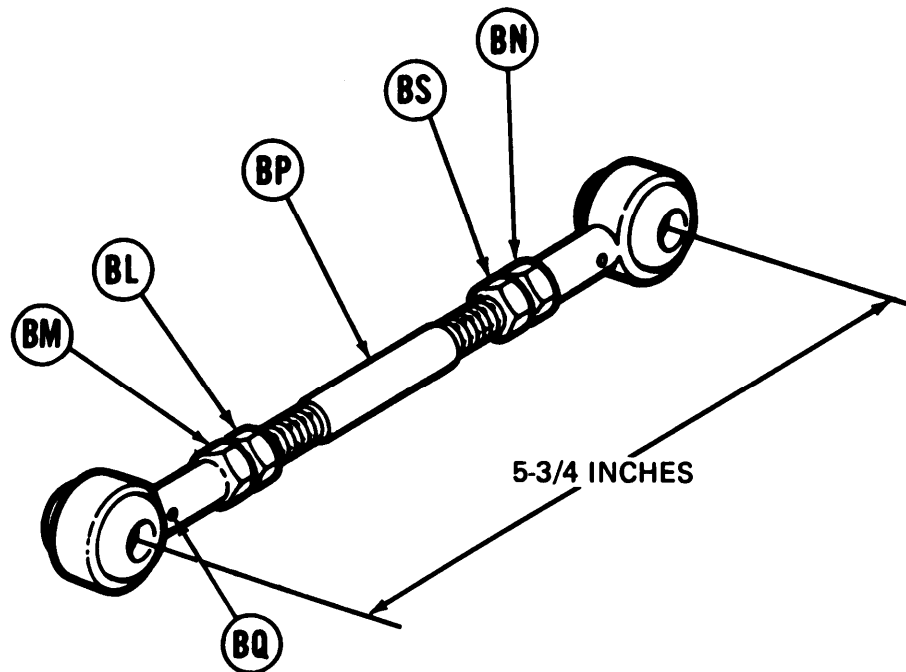
106. Using vise and 9/16 inch wrench, turn rod bearing end (BM) clockwise or counter clockwise until distance between centers of rod bearing ends (BM) and (BN) measures 5-3/4 inches.

107. Using small diameter wire, check to see if rod (BP) is past holes (BQ) and (BR). If rod (BP) is past holes (BQ) and (BR), go on to step 108. If rod (BP) is not past hole (BQ), do steps 109 thru 113. If rod (BP) is not past hole (BR), go on to step 114.
108. Using vise, torque wrench, and 9/16 inch crow foot adapter, tighten jamnut (BL) to 16-18 lb-ft (22-24 N•m) while maintaining 5-3/4 inch measurement. Go on to step 119.

Go on to Sheet 21

TA169073

## SHIFT LINKAGE ADJUSTMENT (Sheet 21 of 28)

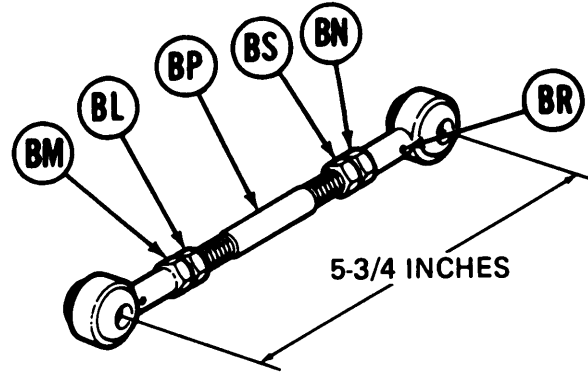


109. Using 9/16 inch wrench, turn rod bearing end (BM) clockwise until rod (BP) is past hole (BQ).
110. Using vise, torque wrench, and 9/16 inch crowfoot adapter, tighten jamnut (BL) to 16-18 lb-ft (22-24 N•m).
111. Using vise and 9/16 inch wrench, loosen jamnut (BS).
112. Using vise and 9/16 inch wrench, turn rod bearing end (BN) clockwise or counterclockwise until distance between centers of rod end bearings (BM) and (BN) measures 5-3/4 inches.
113. Using vise, torque wrench, and 9/16 inch crowfoot adapter, tighten jamnut (BS) to 16-18 lb-ft (22-24 N•m) while maintaining 5-3/4 inch measurement. Go to step 119.

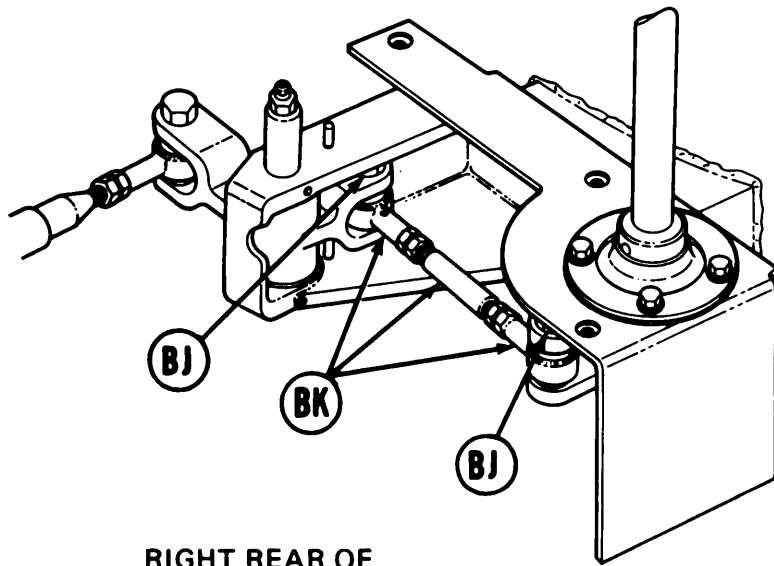
Go on to Sheet 22

TA169074

SHIFT LINKAGE ADJUSTMENT (Sheet 22 of 28)



114. Using vise and 9/16 inch wrench, loosen jamnut (BS).
115. Using 9/16 inch wrench, turn rod bearing end (BN) clockwise until rod (BP) is past hole (BR).
116. Using vise, torque wrench, and 9/16 inch crowfoot adapter, tighten jamnut (BS) to 16-18 lb-ft (22-24 N•m).
117. Using 9/16 inch wrench, turn rod bearing end (BM) clockwise or counterclockwise until distance between centers of rod bearing ends (BM) and (BN) measures 5-3/4 inches.



RIGHT REAR OF  
ENGINE COMPARTMENT

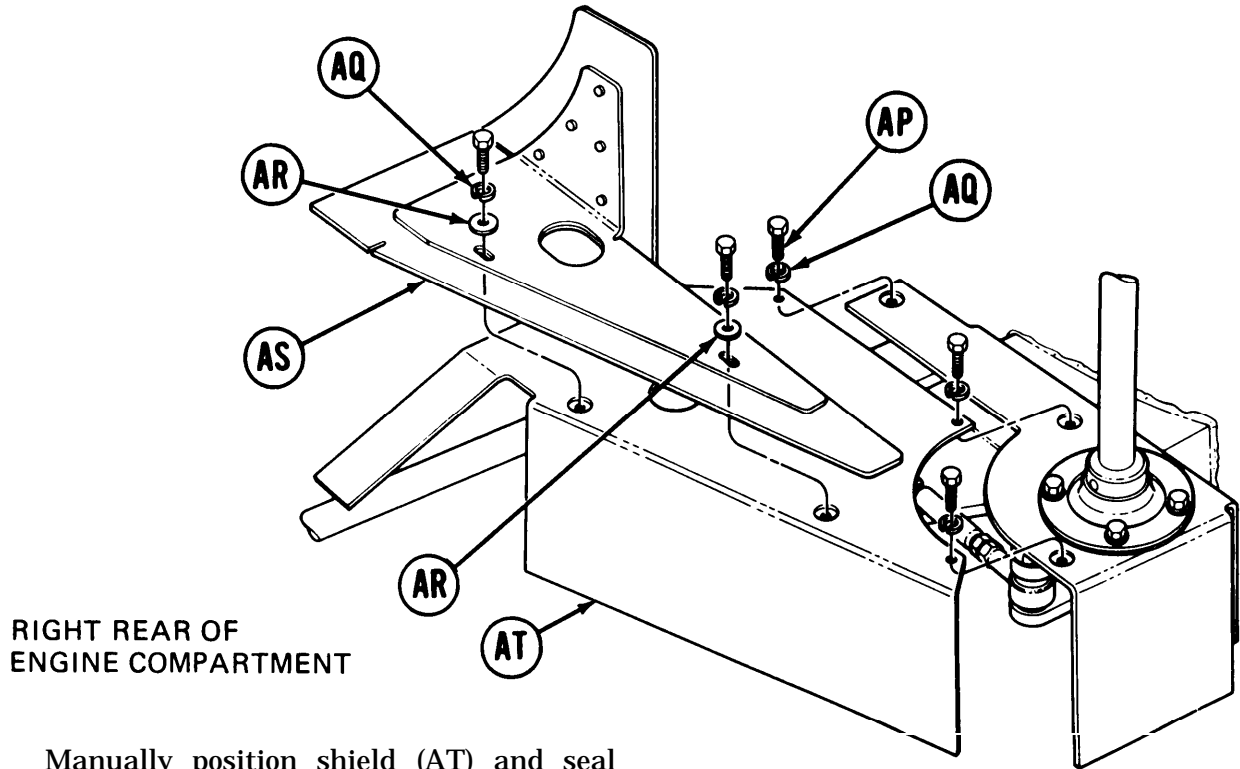
118. Using vise, torque wrench, and 9/16 inch crowfoot adapter, tighten jamnut (BL) to 16-18 lb-ft (22-24 N•m) while maintaining 5-3/4 inch measurement.
119. Manually install stud and rod end bearing assembly (BK).
120. Using 9/16 inch wrench, install two screws (BJ).

Go on to Sheet 23

TA169075

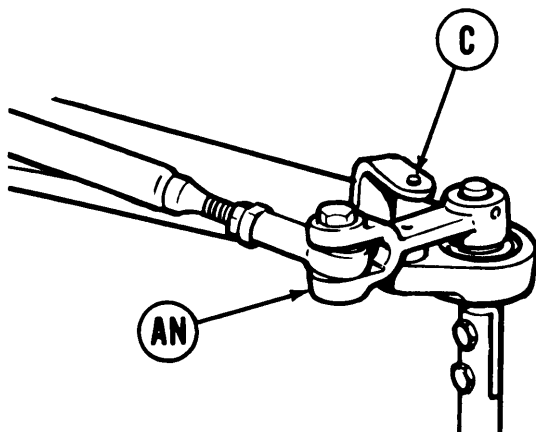


SHIFT LINKAGE ADJUSTMENT (Sheet 23 of 28)



RIGHT REAR OF ENGINE COMPARTMENT

121. Manually position shield (AT) and seal assembly (AS).
122. Using 7/16 inch socket install five screws (AP), two flat washers (AR), and five lock-washers (AQ) to secure seal assembly (AS) and shield (AT).
123. Install powerplant (page 5-14)



RIGHT REAR OF VEHICLE

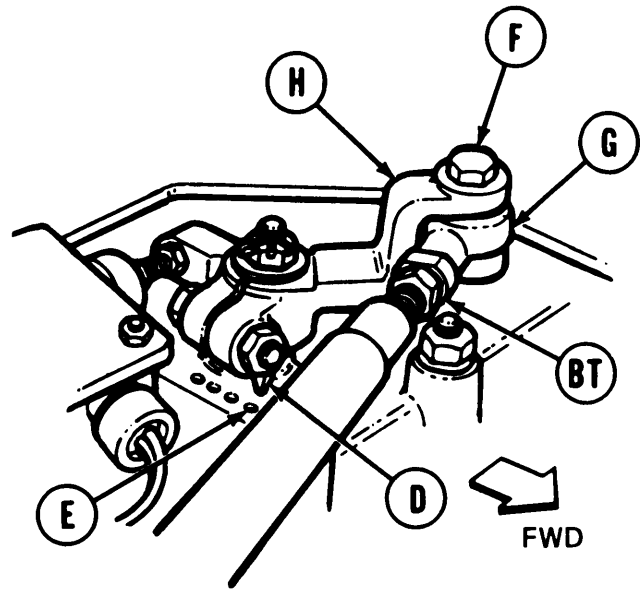
124. At top of transmission, try to insert locating pin in alinement hole (C) and through link (AN). If locating pin can be inserted, go on to step 125. If locating pin cannot be inserted, go to step 126.

Go on to Sheet 24

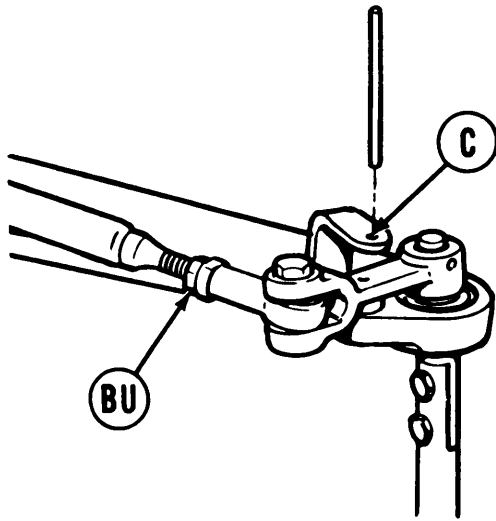
TA169076

SHIFT LINKAGE ADJUSTMENT (Sheet 24 of 28)

125. At top of transmission, check position of shifting position indicator (D). If shifting position indicator (D) is pointing to forward most dot (E), linkage is in adjustment. Go to step 156. If shifting position indicator (D) is not pointing to most forward dot (E), go on to step 126.



TOP OF TRANSMISSION



RIGHT REAR OF VEHICLE

126. Using 9/16 inch wrench, loosen jamnuts (BT) and (BU).
127. Using 9/16 inch wrench, remove screw (F), if not removed in step 4.
128. Manually move shifting position indicator (D) to most forward dot (E).

129. Insert locating pin in alignment hole (C), if not inserted in step 124.

NOTE

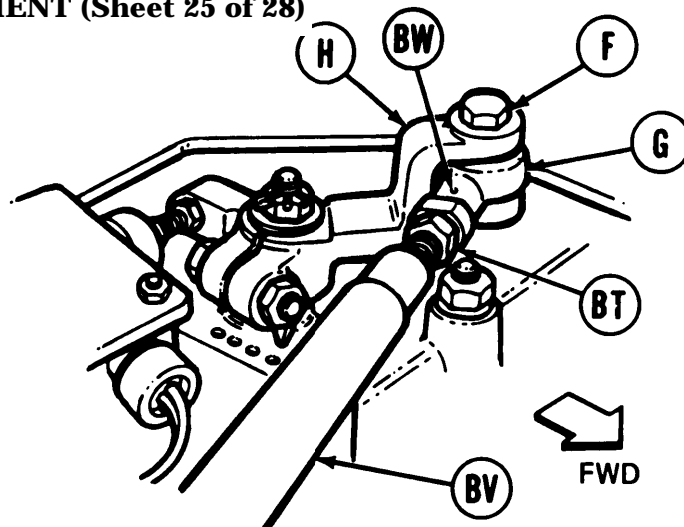
**It may be necessary to move shifting position indicator (D) to rear most dot to adjust shifting rod bearing end (G) and then back to forward most dot (E) to check adjustment in step 130.**

130. Using 9/16 inch wrench, adjust shifting rod bearing end (G) by turning clockwise or counter-clockwise until screw (F) will drop freely through shifting rod bearing end (G) and clevis (H).

Go on to Sheet 25

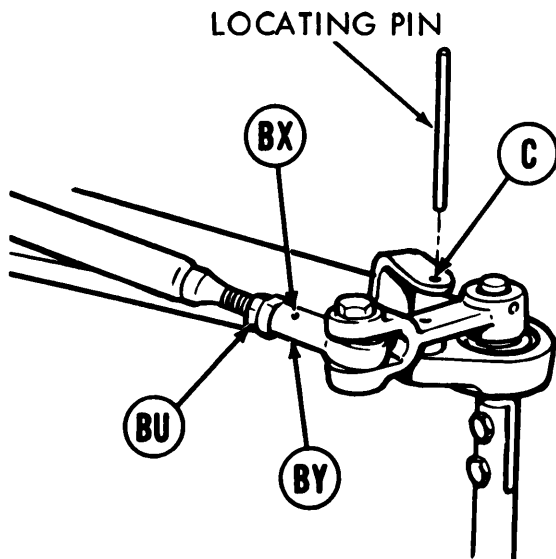
TA169077

**SHIFT LINKAGE ADJUSTMENT (Sheet 25 of 28)**



**TOP OF TRANSMISSION**

131. Using small diameter wire, check to see if shifting rod (BV) is past holes (BW) and (B X). If shifting rod (BV) is past holes (BW) and (BX), do steps 132 thru 135. If shifting rod (BV) is not past hole (BW), do steps 136 thru 145. If shifting rod (BV) is not past hole (BX), go on to step 146.



**RIGHT REAR OF VEHICLE**

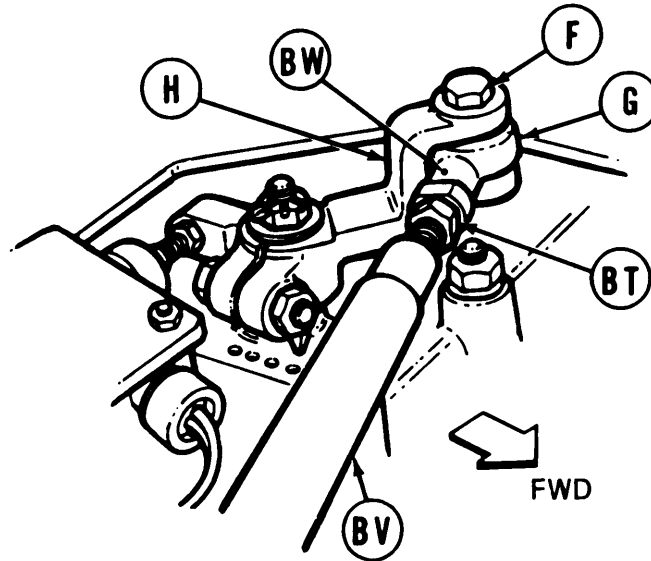
132. Using 9/16 inch wrench, install screw (F) through clevis (H) and shifting rod bearing end (G).
133. Holding rod bearing ends (G) and (BY) with 9/16 inch wrench, use torque wrench and 9/16 inch crow foot adapter to tighten jamnuts (BT) and (BU) to 16-18 lb-ft (22-24 N•m).

134. Remove locating pin from alignment hole (C).
135. Using torque wrench and 9/16 inch socket, tighten screw (F) to 16-18 lb-ft (22-24 N•m) and go to step 156.

Go on to Sheet 26

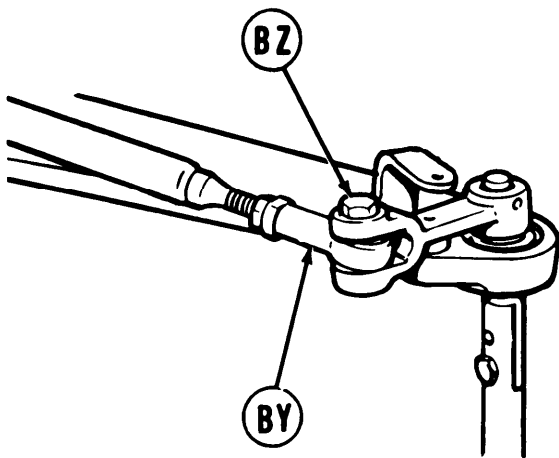
TA169078

SHIFT LINKAGE ADJUSTMENT (Sheet 26 of 28)



TOP OF TRANSMISSION

- 136. Using 9/16 inch wrench, adjust shifting rod bearing end (G) by turning clockwise until shifting rod (BV) is past hole (BW).
- 137. Using 9/16 inch wrench, remove screw (BZ) and remove shifting rod bearing end (BY) from clevis (AN).
- 138. Using 9/16 inch wrench, install screw (F) through clevis (H) and shifting rod bearing end (G).



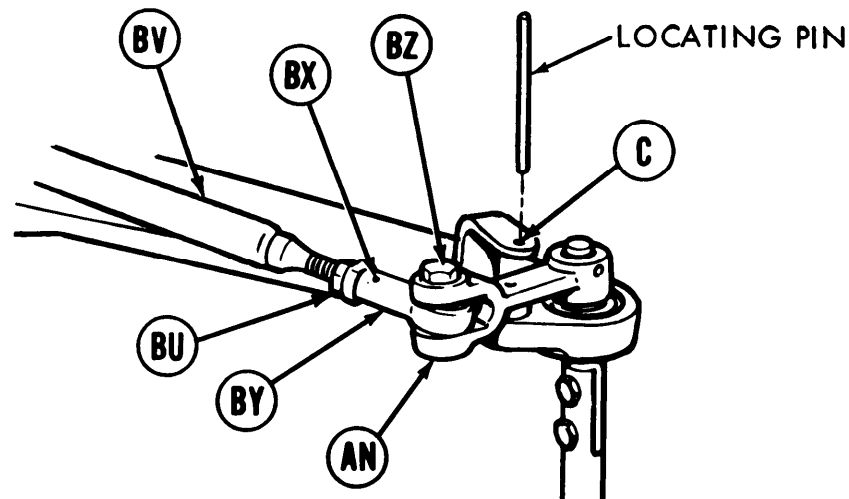
RIGHT REAR OF VEHICLE

- 139. Holding rod bearing end (G) with 9/16 inch wrench, use torque wrench and 9/16 inch crowfoot adapter to tighten jamnut (BT) to 16-18 lb-ft (22-24 N•m).
- 140. Using torque wrench and 9/16 inch socket, tighten screw (F) to 16-18 lb-ft (22-24 N•m).

Go on to Sheet 27

TA169079

## SHIFT LINKAGE ADJUSTMENT (Sheet 27 of 28)



RIGHT REAR OF VEHICLE

141. Using 9/16 inch wrench, adjust shifting rod bearing end (BY) by turning clockwise or counterclockwise until screw (BZ) will drop freely through clevis (AN) and shifting rod bearing end (BY).
142. Using 9/16 inch wrench, install screw (BZ) through clevis (AN) and shifting rod bearing end (BY).
143. Holding rod bearing end (BY) with 9/16 inch wrench, use torque wrench and 9/16 inch crow foot adapter to tighten jamnut (BU) to 16-18 lb-ft (22-24 N•m).
144. Remove locating pin from alignment hole (C).
145. Using torque wrench and 9/16 inch socket, tighten screw (BZ) to 16-18 lb-ft (22-24 N•m) and go to step 156.
146. Using 9/16 inch wrench, remove screw (BZ) and remove shifting rod bearing end (BY) from clevis (AN).
147. Using 9/16 inch wrench, adjust shifting rod bearing end (BY) by turning clockwise until shifting rod (BV) is past hole (BX).
148. Using 9/16 inch wrench, install screw (BZ) through clevis (AN) and shifting rod bearing end (BY).
149. Holding rod bearing end (BY) with 9/16 inch wrench, use torque wrench and 9/16 inch crow foot adapter to tighten jamnut (BU) to 16-18 lb-ft (22-24 N•m).
150. Using torque wrench and 9/16 inch socket, tighten screw (BZ) to 16-18 lb-ft (22-24 N•m).

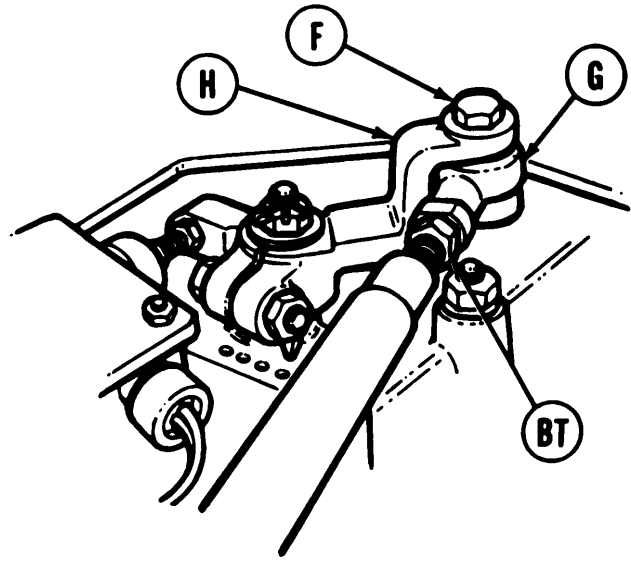
Go on to Sheet 28

TA169080

SHIFT LINKAGE ADJUSTMENT (Sheet 28 of 28)

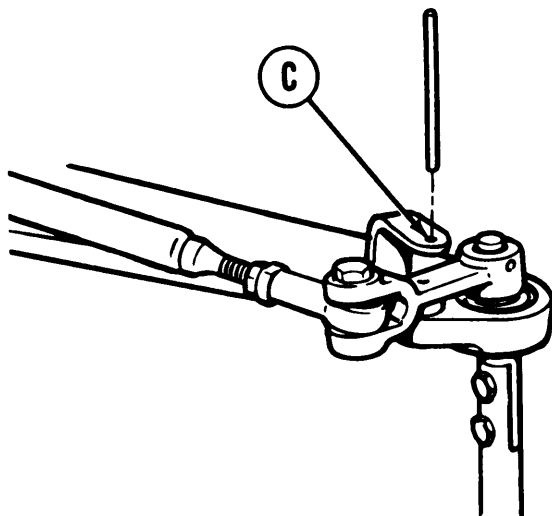
NOTE

It may be necessary to move indicator pointer to rear most positional dot to adjust rod end, and then back to forward most positioned dot to check adjustment in step 151.



TOP OF TRANSMISSION

151. Using 9/16 inch wrench, adjust shifting rod bearing end (G) by turning clockwise or counterclockwise until screw (F) will drop freely through clevis (H) and shifting rod bearing end (G).
152. Using 9/16 inch wrench, install screw (F) through clevis (H) and shifting rod bearing end (G).
153. Holding rod bearing end (G) with 9/16 inch wrench, use torque wrench and 9/16 inch crow foot adapter to tighten jamnut (BT) to 16-18 lb-ft (22-24 N•m).



154. Remove locating pin from alignment hole (C).
155. Using torque wrench and 9/16 inch socket, tighten screw (F) to 16-18 lb-ft (22-24 N•m).
156. Remove blocks from tracks.
157. Check shifting pattern response (TM 5-5420-226-10). If transmission still does not shift correctly, notify support maintenance. If transmission does shift correctly, go on to step 158.

158. Install top deck (page 16-23).
159. Install transmission shroud (page 9-6).

End of Task

TA169081

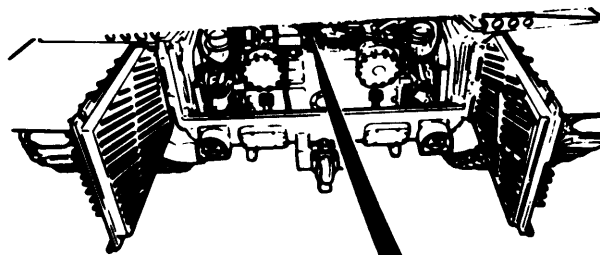
**NEUTRAL SHIFT SWITCH ADJUSTMENT (Sheet 1 of 3)**

**TOOLS:** 7/16 in. combination box and open end wrenches (two)

**TEST EQUIPMENT:** Multimeter

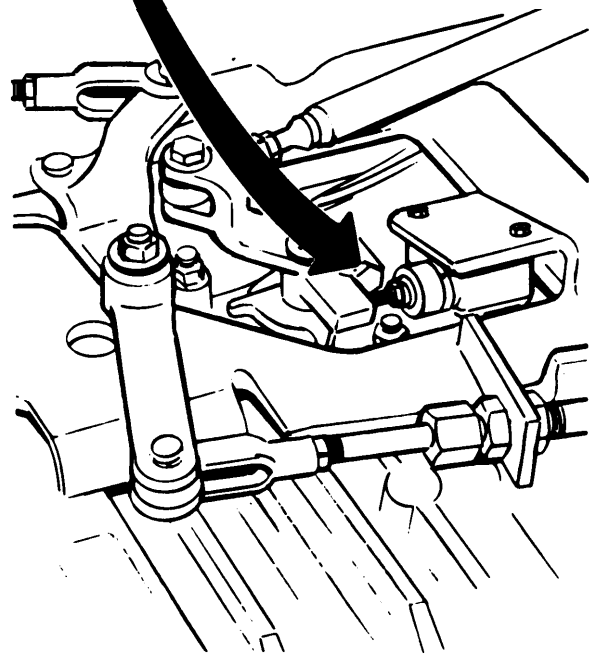
**REFERENCE:** TM 5-5420-226-10

**PRELIMINARY PROCEDURE:** Remove transmission shroud (page 9-2)



**ADJUSTMENT:**

1. Set transmission lever to neutral "N" (TM 5-5420-226-10).

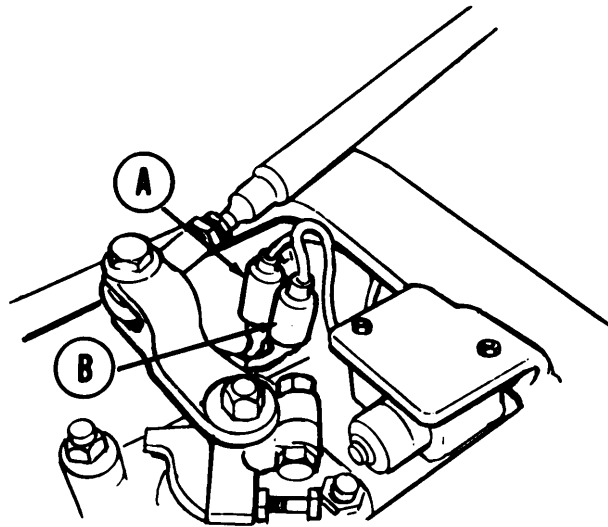


Go on to Sheet 2

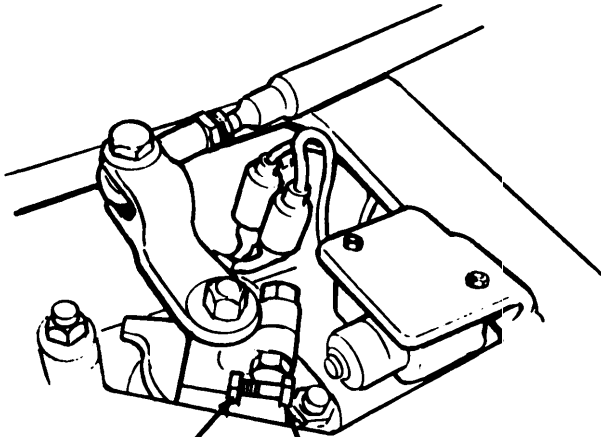
TA169082

## NEUTRAL SHIFT SWITCH ADJUSTMENT (Sheet 2 of 3)

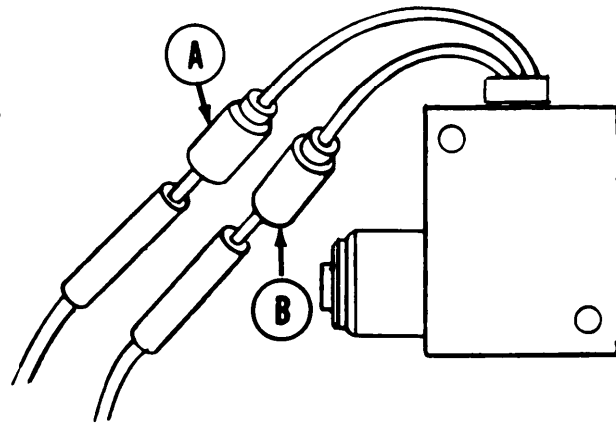
2. Disconnect electrical connectors (A) and (B).
3. Set up multimeter for continuity test.



4. Using two wrenches, loosen jamnut (C) while holding screw (D).



5. Connect multimeter leads to connectors (A) and (B).
6. Using wrench, shorten screw (D) by turning clockwise.



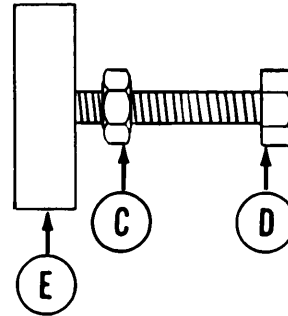
Go on to Sheet 3

TA169083

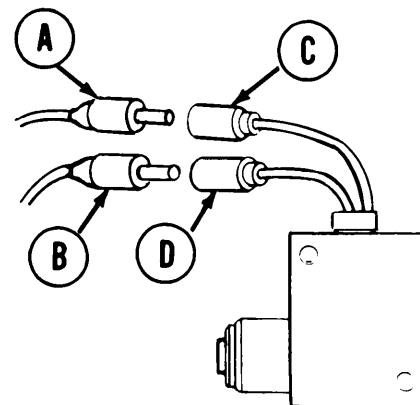


**NEUTRAL SHIFT SWITCH ADJUSTMENT (Sheet 3 of 3)**

7. Lengthen screw (D) until meter just reads zero.
8. Lengthen screw (D) by three complete turns.
9. Using two wrenches, tighten jamnut (C) toward bracket (E) while holding screw (D).



10. Set transmission lever to other positions; meter should read zero in neutral "N" and park "P" only. Replace neutral shift switch (page 10-236) if any other readings are found.
12. Connect connectors (A) and (B) to (C) and (D).
13. Test adjustment by attempting to start engine in all transmission lever positions. Engine should start only in neutral "N" and park "P" positions.
14. Install transmission shroud (page 9-6).



End of Task

TA169084

**TM 5-5420-226-3**

**SERVOBANDS ADJUSTMENT (Sheet 1 of 3)**

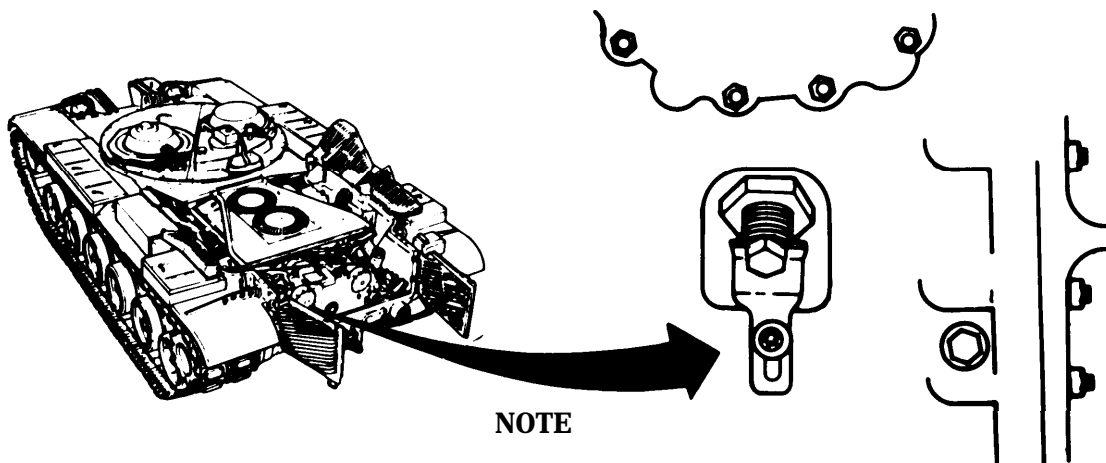
**TOOLS:** Torque wrench with 1/2 in. drive (0 to 175 lb-ft) (0 to 237 N•m)  
9/16 in. socket with 1/2 in. drive  
Ratchet with 1/2 in. drive  
1-1/16 in. socket with 1/2 in. drive  
1-1/16 in. open end wrench

■ **SPECIAL TOOLS:** Socket wrench socket (Item 6, Chapter 3, Section I)

■ **SUPPLIES:** Self-locking bolt

**REFERENCE:** TM 5-5420-226-10

**PRELIMINARY PROCEDURES:** Set shift lever in "P" park position (TM 5-5420-226-10)  
Remove transmission shroud (page 9-2)

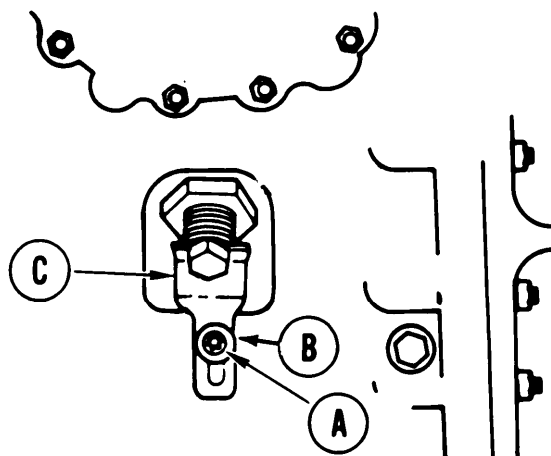


**NOTE**

**Procedures are the same for adjustment of both the low and reverse bands.**

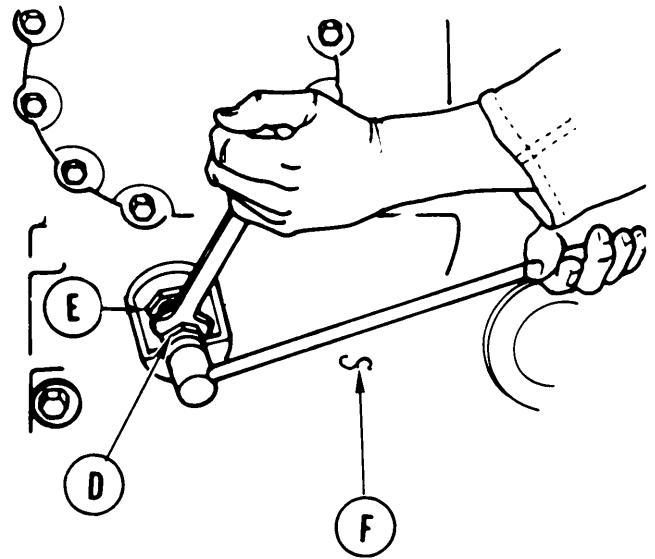
1. Using 9/16 inch socket, remove self-locking bolt (A) and washer (B) holding lock plate (C). Remove lock plate (C). Discard self-locking bolt (A).

Go on to Sheet 2

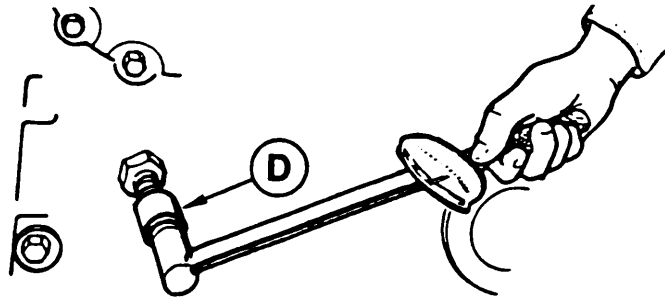


**SERVOBANDS ADJUSTMENT (Sheet 2 of 3)**

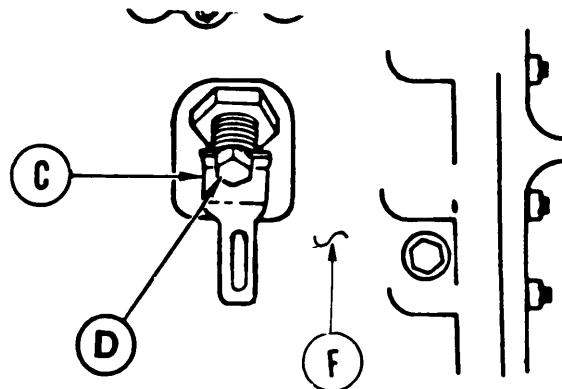
- Using 1-1/16 inch wrench to hold adjusting screw (D) and socket wrench socket on locknut (E), loosen locknut (E) enough to allow adjustment of adjusting screw (D) without locknut (E) coming in contact with transmission case (F).



- Using torque wrench and 1-1/16 inch socket on adjusting screw (D), torque adjusting screw (D) 25-30 lb-ft (34-41 N•m).

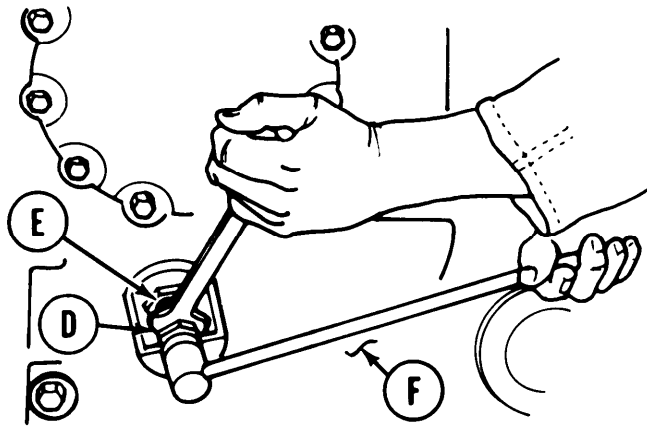


- Back off adjusting screw (D) one full turn to nearest flat that will align with lock plate (C) when lock plate (C) is installed.
- Scribe mark on adjusting screw (D) and transmission case (F) to record aligned position



Go on to Sheet 3

SERVOBANDS ADJUSTMENT (Sheet 3 of 3)



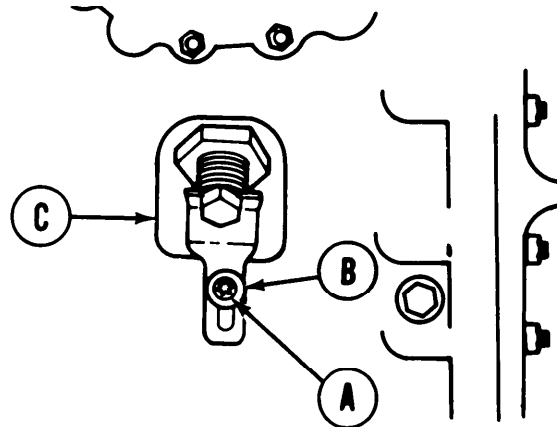
6. Use 1-1/16 inch wrench to hold adjusting screw (D). while using torque wrench and socket wrench socket to torque locknut (E) to 145-155 lb-ft (197-210 N•m).

7. Check scribe mark on adjusting screw (D) and transmission case (F) for alinement. If not in alinement, repeat complete adjustment procedure.

8. Position lock plate (C) over adjusting screw (D) and secure using new self-locking bolt (A) and washer (B).

9. Using 9/16 inch socket, and torque wrench, tighten self-locking bolt (A) to 18-22 lb-ft (25-29 N•m).

10. Install transmission shroud (page 9-6).

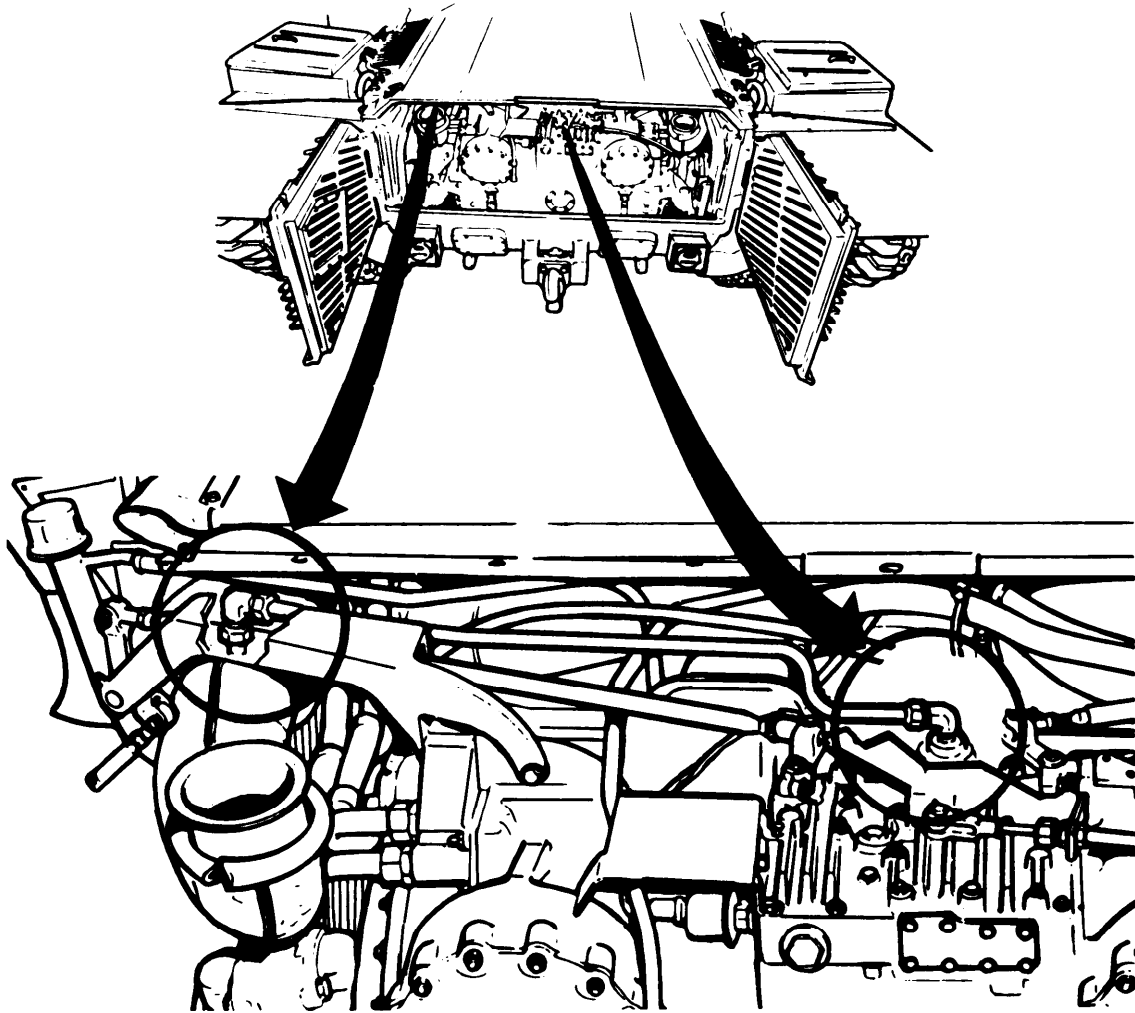


End of Task

TRANSMISSION OIL BREATHER TUBE REPLACEMENT (Sheet 1 of 3)

TOOLS: 3/4 in. combination box and open end wrench  
7/8 in. combination box and open end wrench

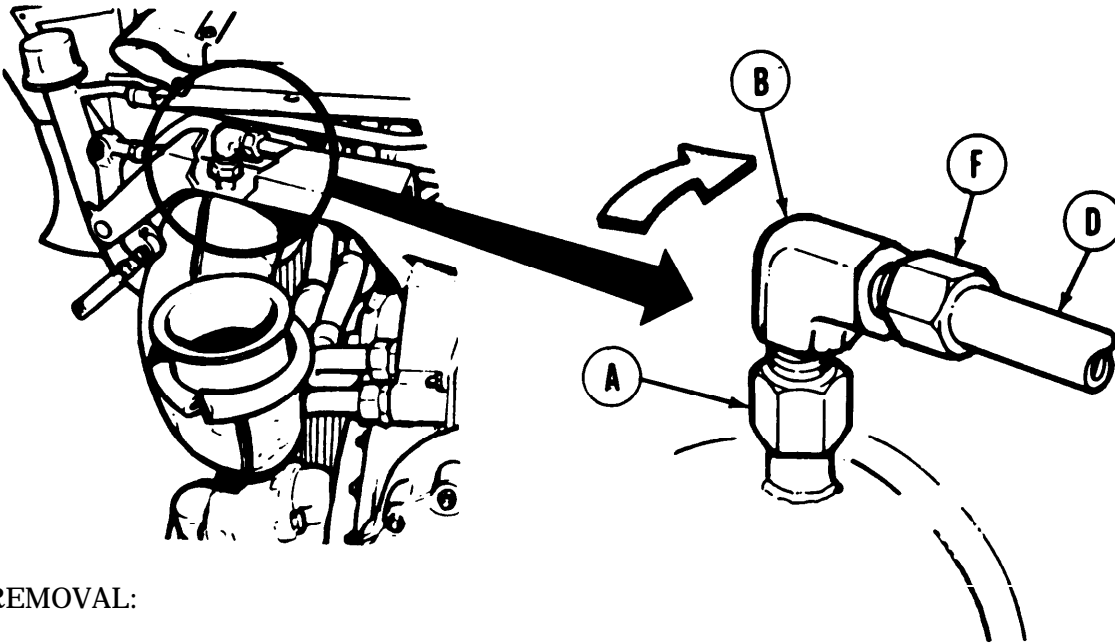
PRELIMINARY PROCEDURE: Remove transmission shroud (page 9-2)



Go on to Sheet 2

TA169088

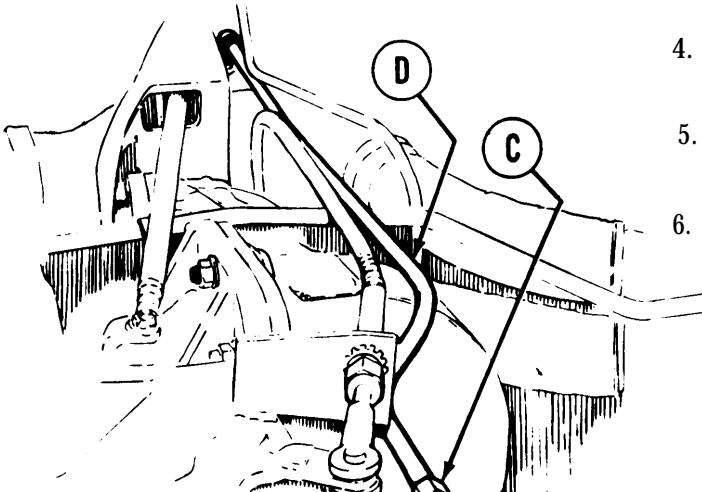
TRANSMISSION OIL BREATHER TUBE REPLACEMENT (Sheet 2 of 3)



REMOVAL:

1. Using 7/8 inch wrench, turn nut (A) clockwise until it falls free.
2. Lift elbow (B) off nut (A).
3. Using 7/8 inch wrench, remove coupling nut (C) and transmission oil breather tube (D) from elbow (E).

4. Remove transmission oil breather tube (D) from vehicle.
5. Using 7/8 inch wrench on nut (F) and 3/4 inch wrench on elbow (B), remove elbow (B).
6. Using 3/4 inch wrench, remove elbow (E) from transmission.

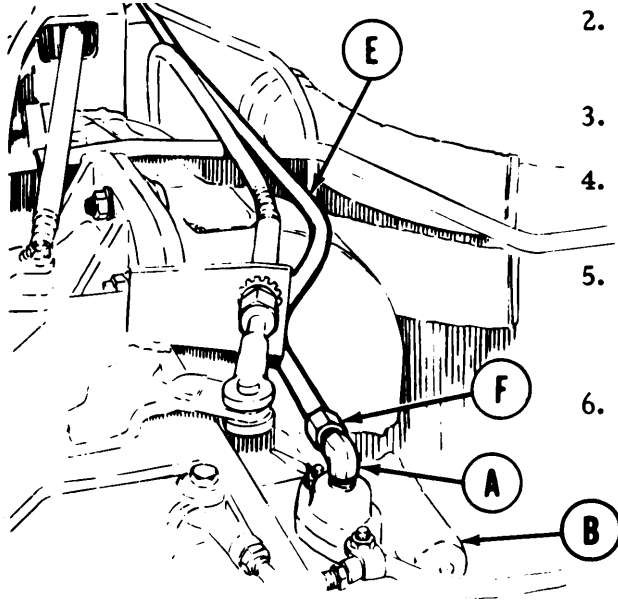


Go on to Sheet 3

TA169089

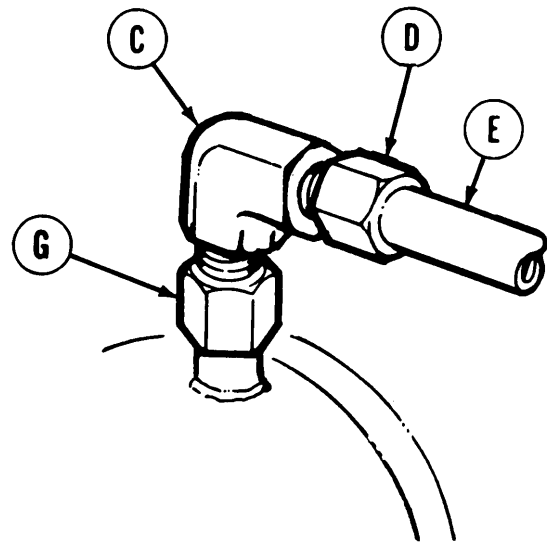
**TRANSMISSION OIL BREATHER TUBE REPLACEMENT (Sheet 3 of 3)**

**INSTALLATION :**



1. Manually start elbow (A) into transmission (B).
2. Using 3/4 inch wrench, install and aline elbow (A) as shown.
3. Manually install elbow (C) into nut (D).
4. Using 7/8 inch wrench on nut (D) and 3/4 inch wrench on elbow (C), tighten nut (D).
5. Position tube (E) between elbow (A) and nut (D). If necessary, use 3/4 inch wrench to aline elbow (A) with nut (F).
6. Manually start nut (F) on elbow (A) and tighten with 7/8 inch wrench.

7. Manually start nut (G) onto elbow (C).
8. Using 7/8 inch wrench, tighten coupling nut (G).
9. Start engine. Check for exhaust leaks at transmission oil breather tube (E) connections.
10. Install transmission shroud (page 9-6).



End of Task

TRANSMISSION MAIN OIL FILTER ELEMENT REPLACEMENT (Sheet 1 of 7)

PROCEDURE INDEX

PROCEDURE	PAGE
Removal	11-90
Cleaning and Inspection	11-93
Installation	11-94

TOOLS: 9/16 in. socket with 1/2 in. drive  
 7/16 in. socket with 1/2 in. drive  
 5 in. extension with 1/2 in. drive  
 1 in. combination box and open end wrench  
 Torque wrench with 1/2 in. drive

Diagonal cutting pliers  
 Putty knife  
 Slip joint pliers  
 Snap ring pliers  
 Ratchet with 1/2 in. drive

SUPPLIES: Filter cover gasket 7707232  
 Clean rags (Item 65, Appendix D)  
 Dry cleaning solvent (Item 55, Appendix D)  
 Locking wire (Item 61, Appendix D)  
 Two 1/4 in. x 20 NF x 3 in. long bolts

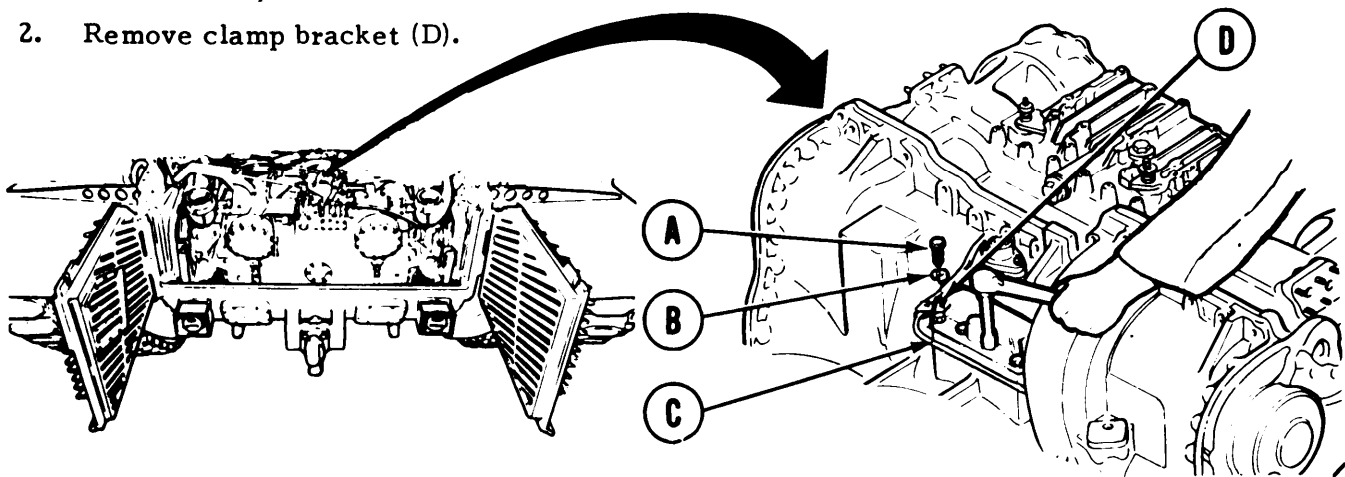
PRELIMINARY PROCEDURES: Remove top deck (page 16-21)  
 Remove transmission shroud (page 9-2)

REMOVAL:

NOTE

**Some filter assemblies are secured with nuts and threaded studs instead of bolts and lockwashers.**

- Using 9/16 inch socket with 5 inch extension, remove 10 bolts (A) and lockwashers (B) holding filter assembly (C) to front of transmission.
- Remove clamp bracket (D).



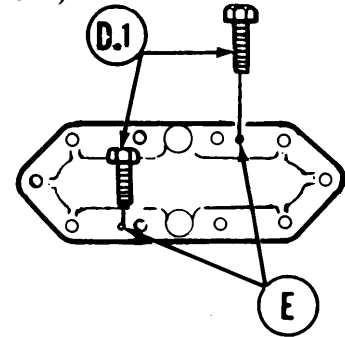
TA169091

Go on to Sheet 2



**TRANSMISSION MAIN OIL FILTER ELEMENT REPLACEMENT (Sheet 2 of 7)**

3. Using two 1/4 inch x 20 NF x 3 inch long bolts (D.1) and 7/16 inch socket, loosen filter assembly by installing bolts in holes (E) and tightening evenly to withdraw filter assembly(C).
4. Using 7/16 inch socket, remove two 1/4 inch x 20 NF x 3 inch long bolts (D.1) from filters.



**NOTE**

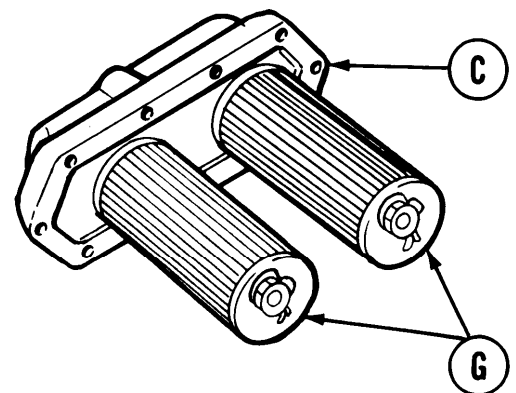
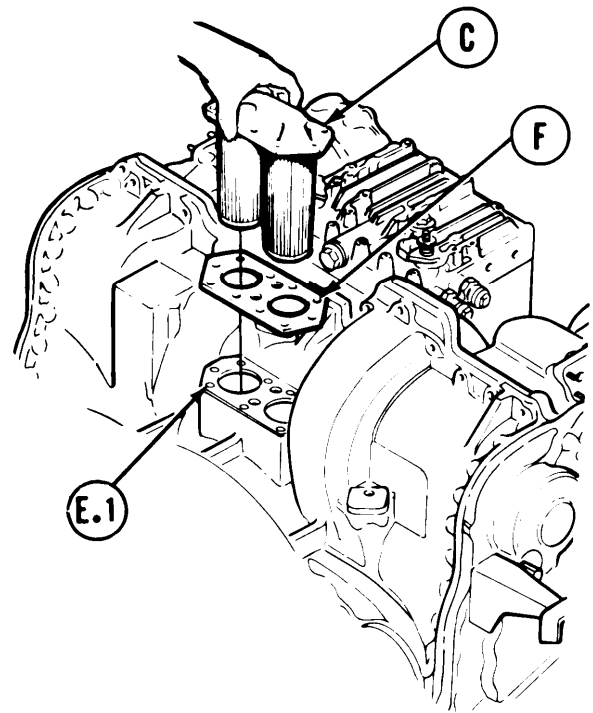
**Lift filter assembly (C) slowly and straight up to reduce the possibility of oil entering bolt holes (E.1).**

5. Slowly lift filter assembly (C) straight out of transmission. Remove and discard gasket (F).

**NOTE**

**Some filters are secured with self locking nuts and do not require lockwiring.**

6. Using diagonal cutting pliers, remove lockwire (G), if present, securing nuts on bottom of filter assembly (C).



Go on to Sheet 3

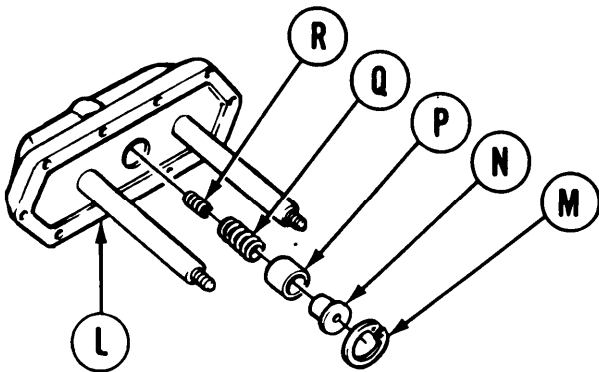
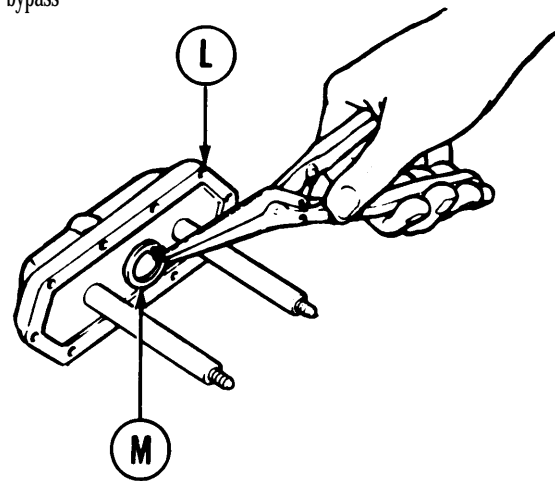
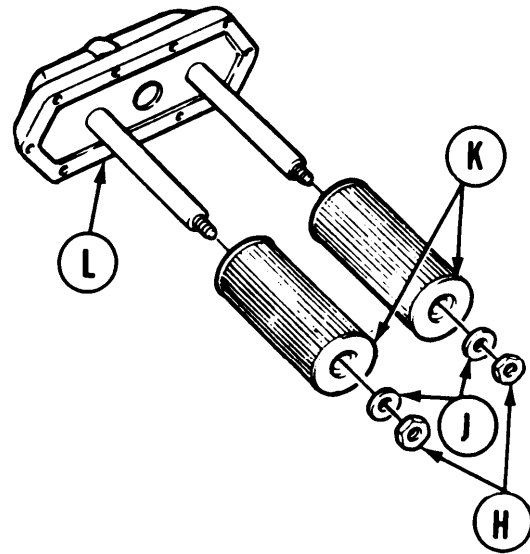
MAIN OIL FILTER ELEMENT REPLACEMENT (Sheet 3 of 7)

- Using 1 inch wrench, remove two nuts (H) and two washers (J) holding filter elements (K) to filter assembly head (L).
- Remove two filter elements (K) from filter assembly head (L).

**CAUTION**

Bypass valve has spring tension. Hold hand over bypass valve while removing.

- Using snap ring pliers, remove retaining ring (M) holding bypass valve in bottom of filter assembly head (L).

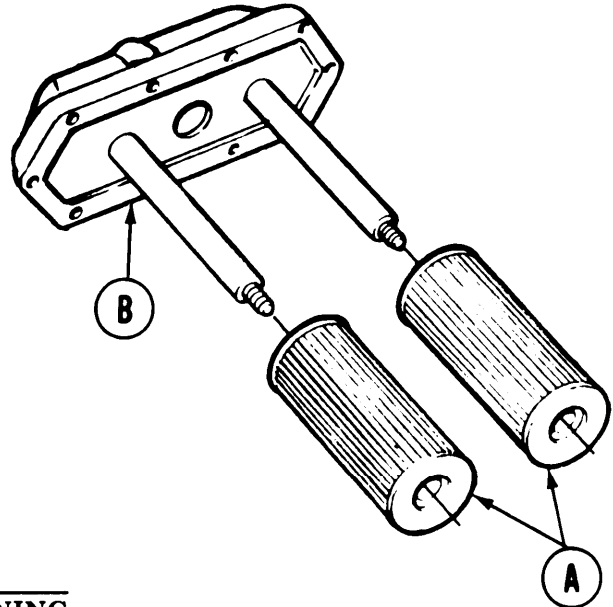


- Remove washer (N), sleeve (P), outer spring (Q), and inner spring (R) from filter assembly head (L).

Go on to Sheet 4

TA169093

## TRANSMISSION MAIN OIL FILTER ELEMENT REPLACEMENT (Sheet 4 of 7)

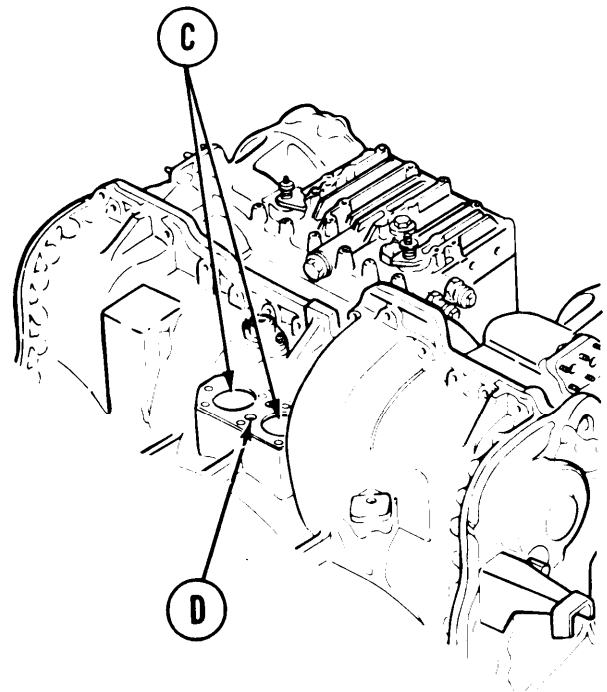


## CLEANING AND INSPECTION:

**WARNING**

Dry cleaning solvent P-D-680 is toxic and flammable. To avoid injury, wear protective goggles and gloves and use in a well-ventilated area. Avoid contact with skin, eyes, and clothes, and do not breathe vapors. Do not use near open fire or excessive heat. The flash point for Type I dry cleaning solvent is 100°F (38°C), and for Type II is 140°F (60°C). If you become dizzy while using dry cleaning solvent, get fresh air immediately and get medical aid. If contact with eyes is made, wash your eyes with water and get medical aid immediately.

1. Clean filter elements (A) using dry cleaning solvent. If filter elements are damaged, throw them away.
2. Using putty knife, clean old gasket off filter assembly head (B) mounting surface.
3. Clean dirt and oil off filter assembly head (B).
4. Inspect bypass valve springs for damage. Replace if defective.
5. Stuff clean rags into filter assembly holes (C) on transmission.
6. Using putty knife, clean off gasket mounting surface on transmission.
7. Ensure 10 bolt holes (D) are clean and free of oil.

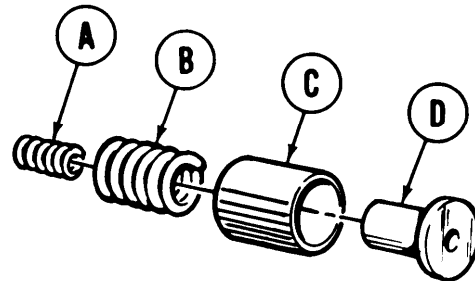


Go on to Sheet 5

TRANSMISSION MAIN OIL FILTER ELEMENT REPLACEMENT (Sheet 5 of 7)

INSTALLATION:

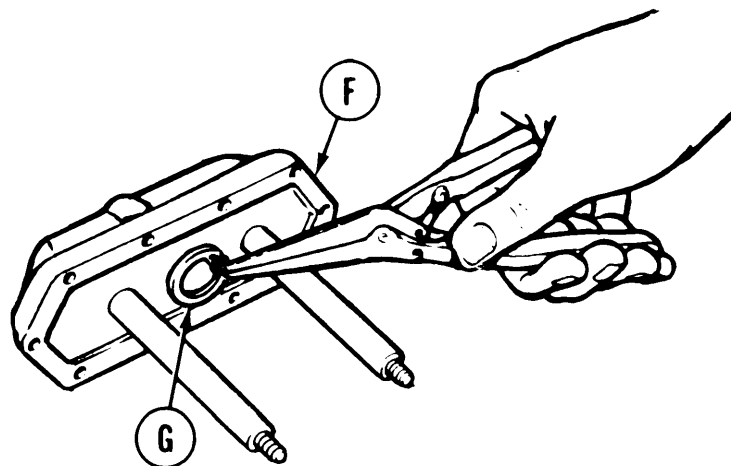
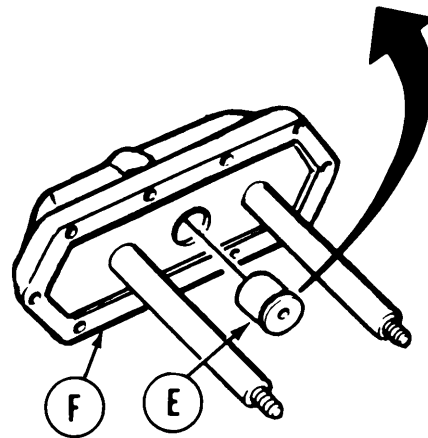
1. Assemble inner spring (A), outer spring (B), sleeve (C), and washer (D).
2. Install assembled bypass valve (E) into bottom of filter assembly head (F).



NOTE

**It may be necessary to maintain pressure on bypass valve with screwdriver to perform step 3.**

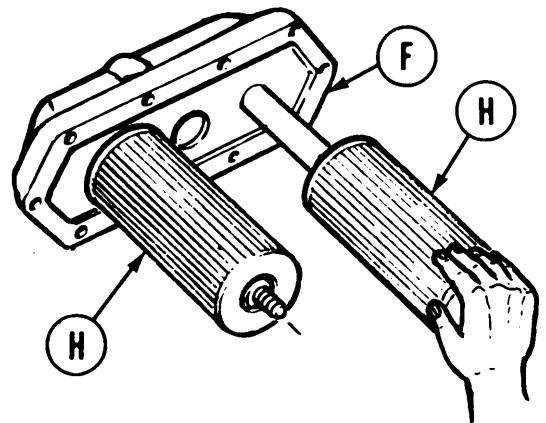
3. Using snap ring pliers, install retaining ring (G) into filter assembly head (F) to hold bypass valve in place.



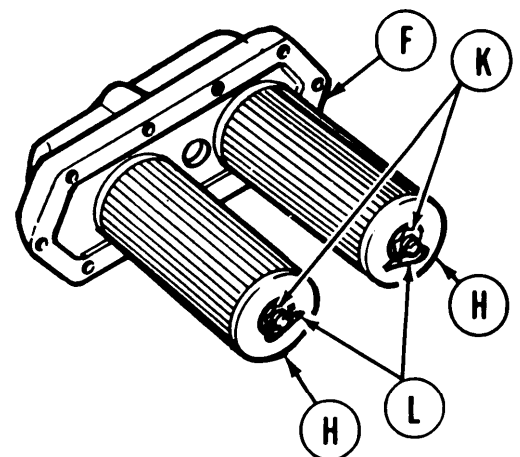
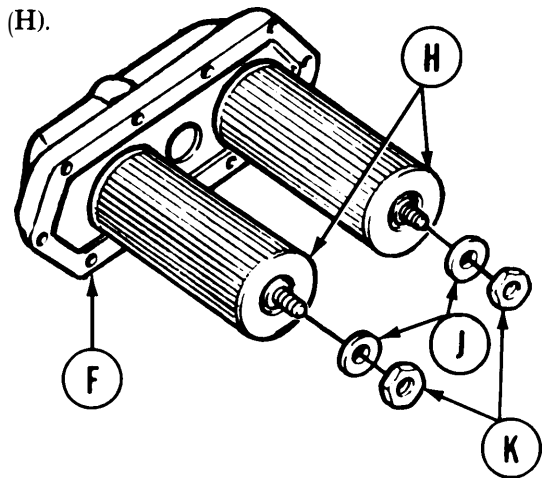
Go on to Sheet 6

TA169095

TRANSMISSION MAIN OIL FILTER ELEMENT REPLACEMENT (Sheet 6 of 7)



4. Place filter elements (H) on filter assembly head (F).
5. Using 1 inch wrench, secure filter elements (H) with two washers (J) and two nuts (K).
6. Using lockwire (L), secure nuts (K) to filter assembly (H).

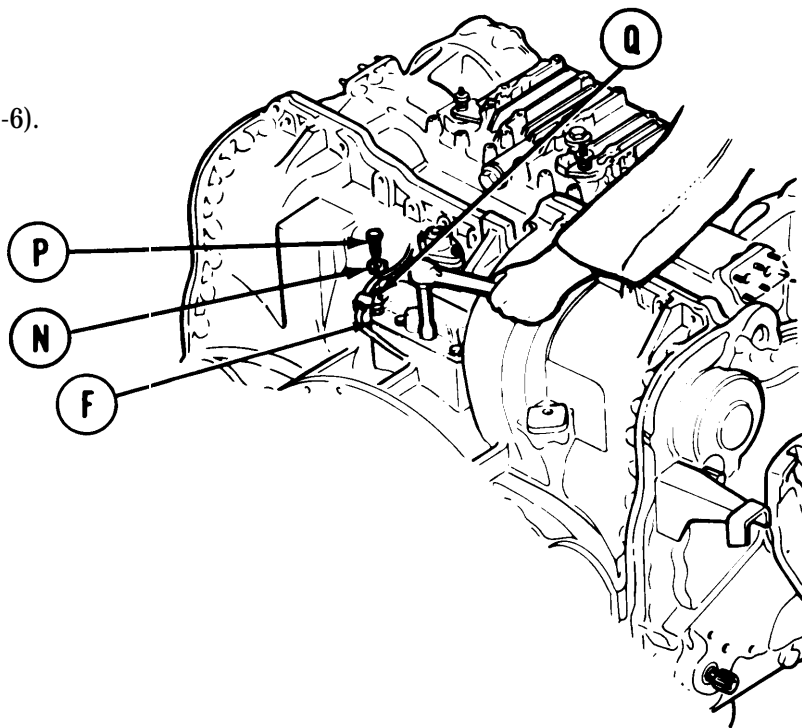
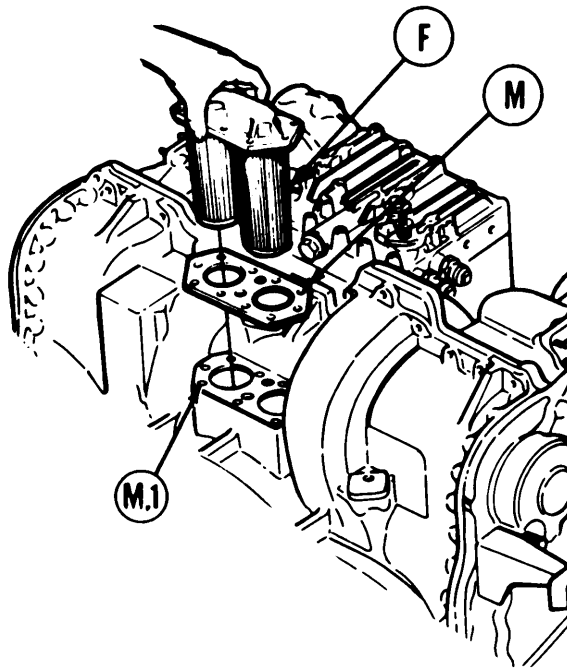


Go on to Sheet 7

TA169096

TRANSMISSION MAIN OIL FILTER ELEMENT REPLACEMENT (Sheet 7 of 7)

7. Remove rags from filter assembly holes.
8. Place new gasket (M) on transmission and install filter assembly (F).
9. Ensure 10 bolt holes (M.1) are clean and free of oil.
10. Install 10 new lockwashers (N) and bolts (P) to hold filter assembly (F) and clamp bracket (Q) to transmission.
11. Using a 9/16 inch socket wrench and torque wrench, alternately tighten 10 bolts (P) to 26-32 lb-ft (35-43 N•m).
12. Operate engine and transmission and check for leaks at gasket.
13. Install top deck (page 16-23).
14. Install transmission shroud (page 9-6).



End of Task

TRANSMISSION SIDE OIL STRAINER ASSEMBLY SERVICE (Sheet 1 of 8)

PROCEDURE INDEX

PROCEDURE	PAGE
Removal	11-97
Disassembly	11-100
Cleaning and Inspection	11-100
Assembly	11-101
Installation	11-102

TOOLS: Slip joint pliers

- 1/2 in. socket with 1/2 in. drive
- 10 in. extension with 1/2 in. drive
- Ratchet with 1/2 in. drive
- 12 in. adjustable wrench
- 3/4 in. socket with 1/2 in. drive
- Torque wrench with 3/8 in. drive (0-200 lb-in)
- Tube bender
- 9/16 in. socket with 1/2 in. drive
- 7/16 in. socket with 1/2 in. drive

Hose clamp pliers

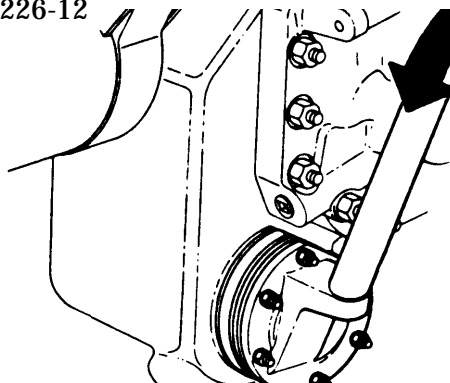
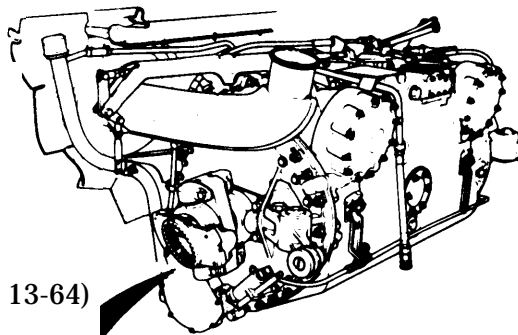
- Diagonal cutting pliers
- 7/16 in. socket with 3/8 in. drive
- Putty knife
- 1/2 in. combination box and open end wrench

- SUPPLIES:
- 5/16-18 in. jackscrews (2 required)
  - Gaskets 8357269 (3 required)
  - Preformed packing 7994930
  - Washer seals 7709597 (6 required)
  - Dry cleaning solvent (Item 55, Appendix D)
  - Rags (Item 65, Appendix D)

PRELIMINARY PROCEDURES:

- Drain transmission oil (page 6-8).
- Remove powerplant (page 5-2)
- Remove left brake control housing (page 13-64)

REFERENCE: LO 5-5420-226-12

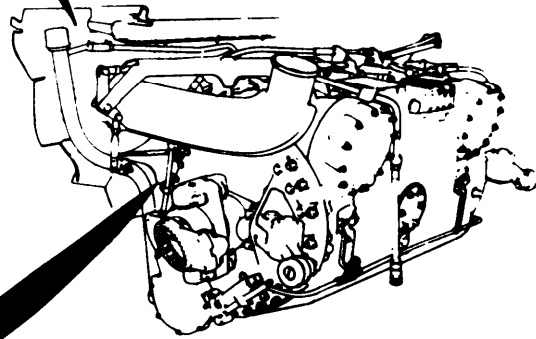
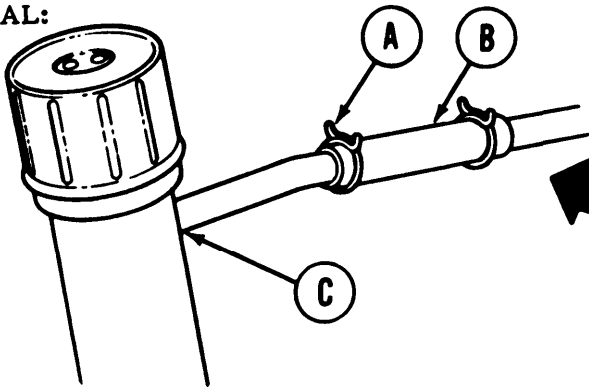


Go on to Sheet 2

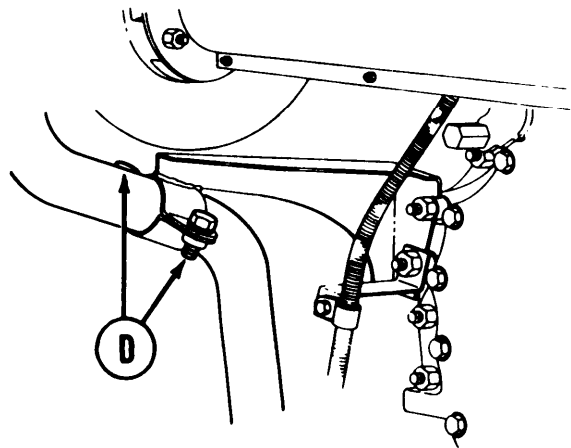
TA169098

TRANSMISSION SIDE OIL STRAINER ASSEMBLY SERVICE (Sheet 2 of 8)

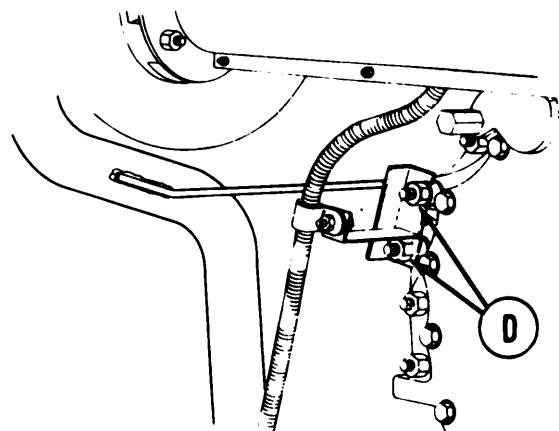
REMOVAL:



1. Using hose clamp pliers, loosen clamp (A).
2. Disconnect rubber tubing (B) from oil filler tube (C).



3. On earlier model transmissions, use 9/16 inch socket to remove two screws and lockwashers (D) securing bracket.



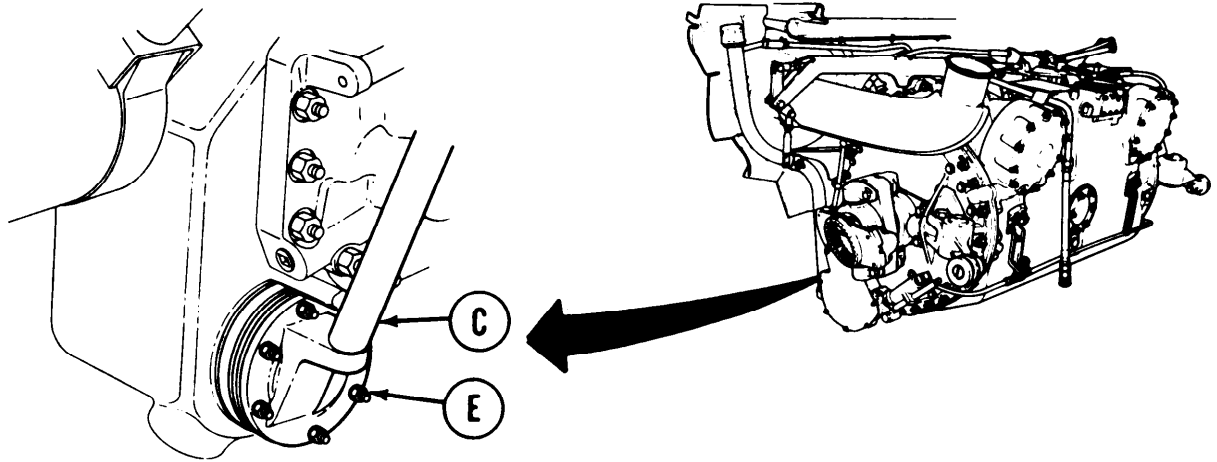
4. On later model transmissions, use 3/4 inch socket and extension to remove two nuts (D) securing bracket to transmission.

Go on to Sheet 3

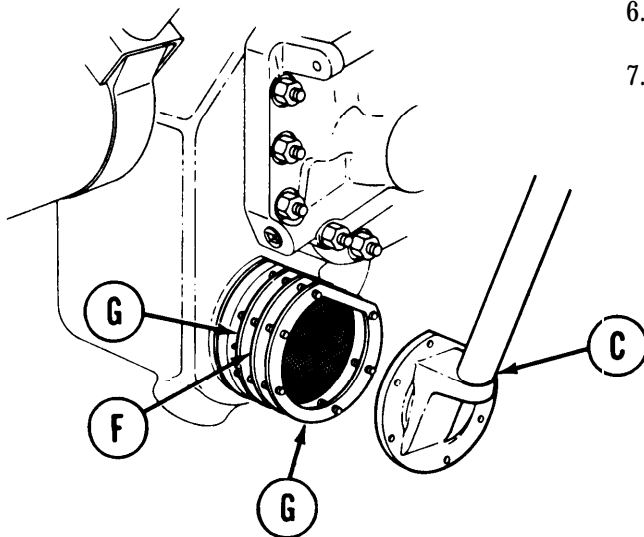
TA169099



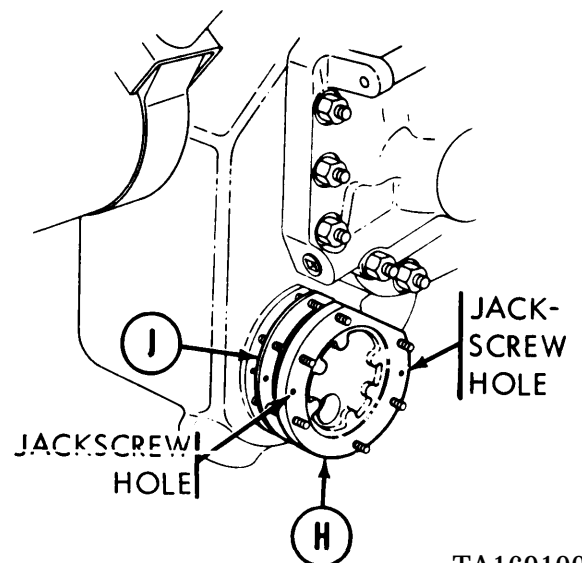
TRANSMISSION SIDE OIL STRAINER ASSEMBLY SERVICE (Sheet 3 of 8)



5. Using 1/2 inch socket, extension, and 1/2 inch wrench, remove six nuts and lockwashers (E) securing oil filler tube (C) to transmission.
6. Remove oil filler tube (C) from transmission.
7. Using putty knife, remove strainer (F) and two gaskets (G) off mounting studs. Throw gaskets away.



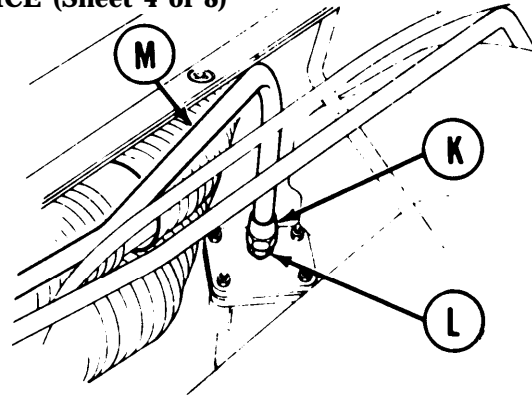
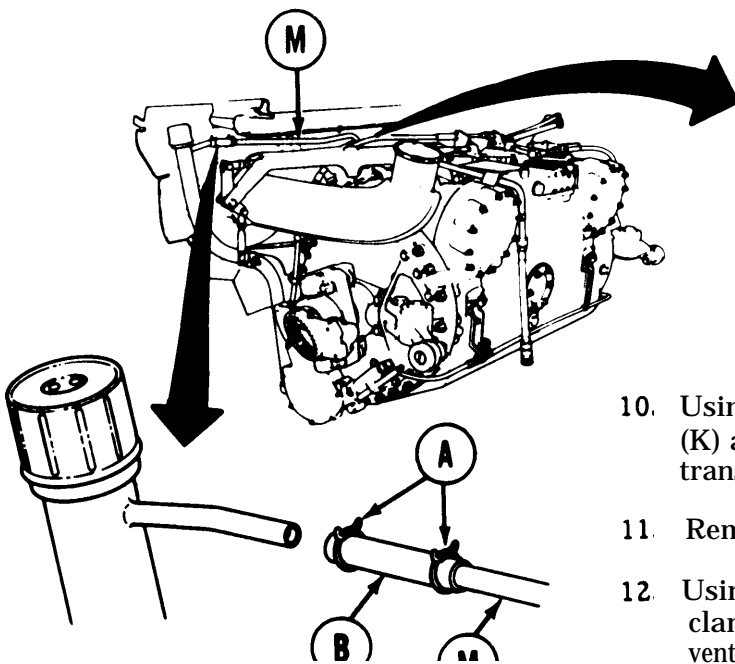
8. Using two 5/16-18 jack screws and 1/2 inch socket to tighten jackscrews alternately remove side oil strainer assembly (H).
9. Using putty knife, remove gasket (J). Throw gasket away



Go on to Sheet 4

TA169100

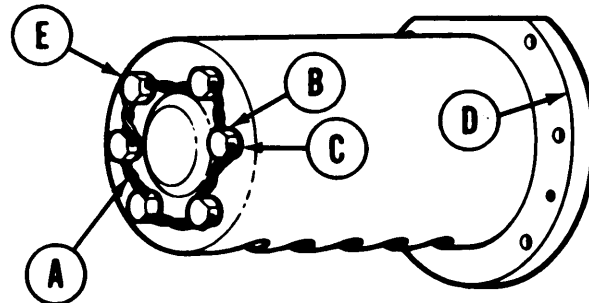
TRANSMISSION SIDE OIL STRAINER ASSEMBLY SERVICE (Sheet 4 of 8)



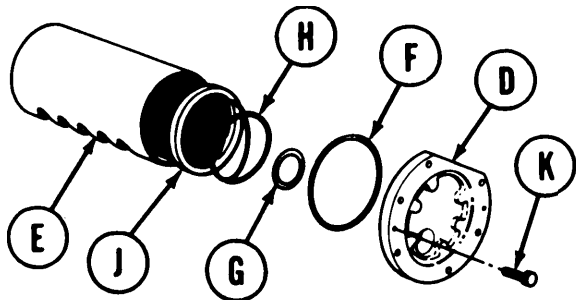
10. Using adjustable wrench, remove nut (K) and nipple adapter (L) from transmission.
11. Remove vent tube (M) from transmission.
12. Using hose clamp pliers, remove both clamps (A) and rubber tubing (B) from vent tube (M).
13. Slide nut (K) off opposite end of vent tube (M).

DISASSEMBLY:

1. Using diagonal pliers, cut lockwire (A) from six screws (B).
2. Using 7/16 inch socket, remove six screws (B) and washer seals (C) securing element cover (D) to oil screen shell (E).
3. Using putty knife, remove cover (D) and gasket (F). Throw gasket away.



4. Remove preformed packing (G), reinforcement (H), and element (J) from shell (E). Separate reinforcement (H) from element (J).
5. Using 1/2 inch socket, remove two jackscrews (K).



CLEANING AND INSPECTION:

**WARNING**

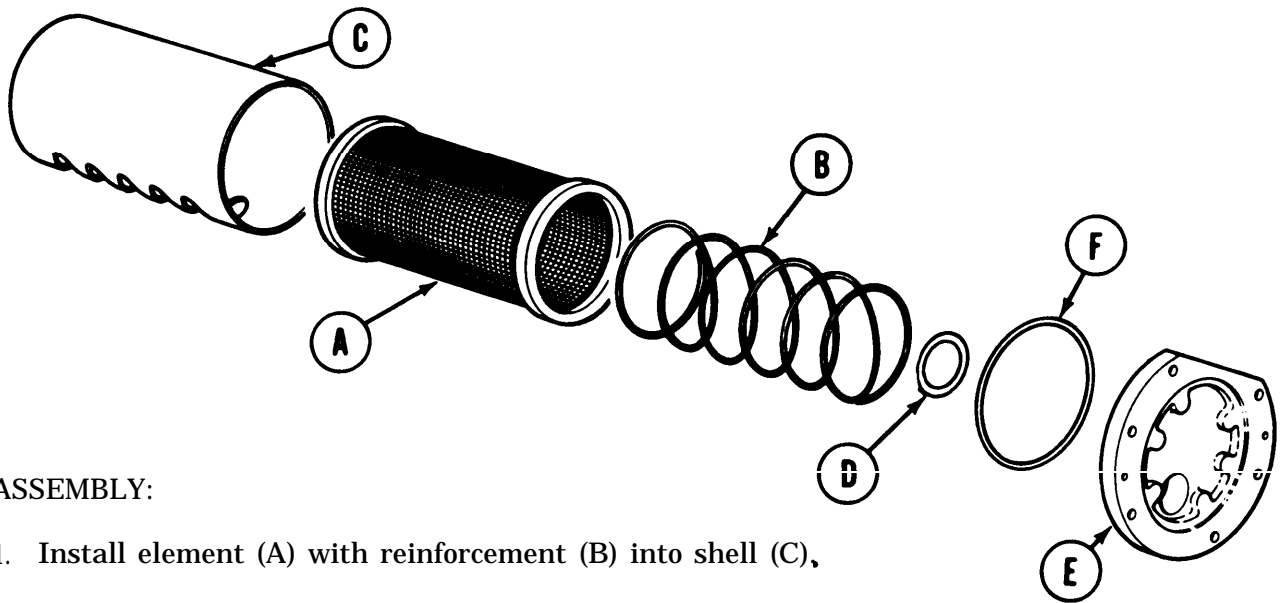
Cleaning agent specified is flammable. only in well ventilated areas. Keep away from flames, sparks, or heat. Do not smoke while using. Prevent contact with eyes, mouth, and/or skin. Wear rubber gloves when performing cleaning procedures.

1. Using solvent and rags, clean all parts.
2. Inspect all parts for defects.
3. Replace parts found defective.

Go on to Sheet 5

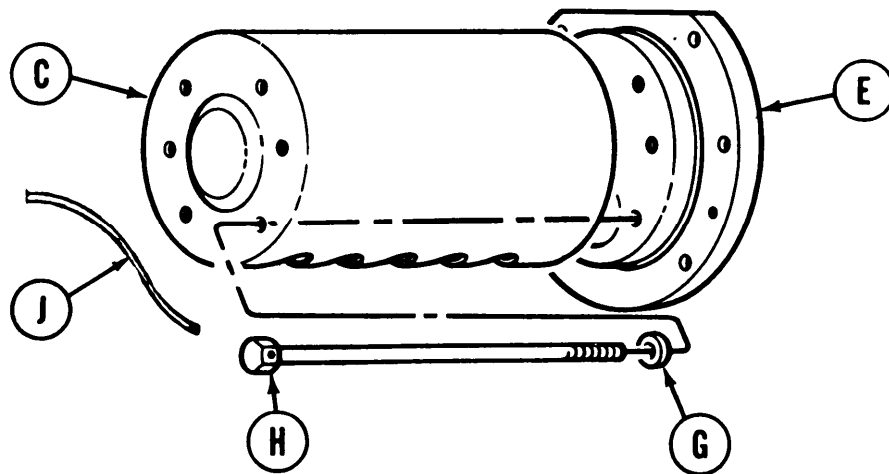
TA169101

TRANSMISSION SIDE OIL STRAINER ASSEMBLY SERVICE (Sheet 5 of 8)



ASSEMBLY:

1. Install element (A) with reinforcement (B) into shell (C),
2. Put new packing (D) into groove of shell (C).
3. Position cover (E) with new gasket (F) to shell (C).



4. Install six new washer seals (G) and screws (H) securing cover (E) to shell (C).
5. Using torque wrench with 7/16 inch socket, tighten six screws (H) to 20-25 lb-in (2-3 N•m).
6. Secure screws (H) in sets of three (or in pairs) with lockwire (J).

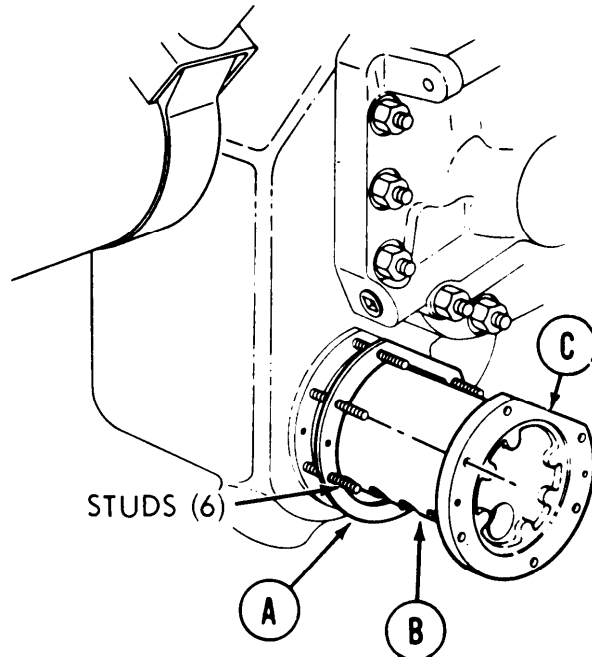
Go on to Sheet 6

TA169102

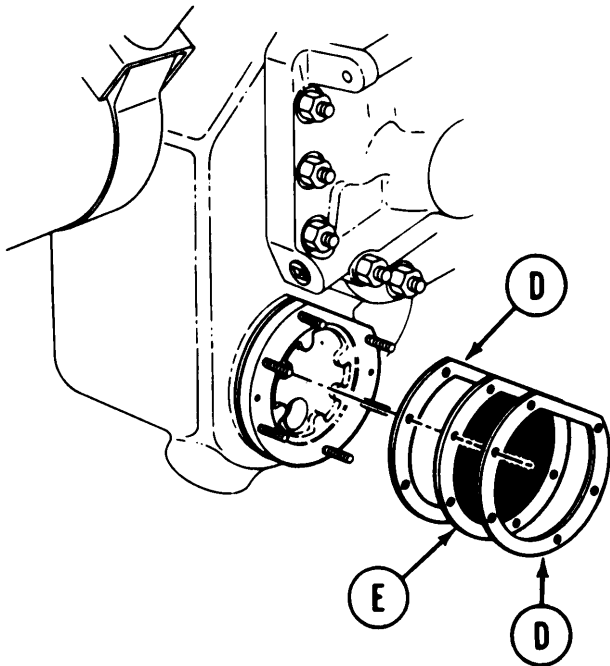
**TRANSMISSION STRAINER ASSEMBLY SERVICE (Sheet 6 of 8)**

**INSTALLATION:**

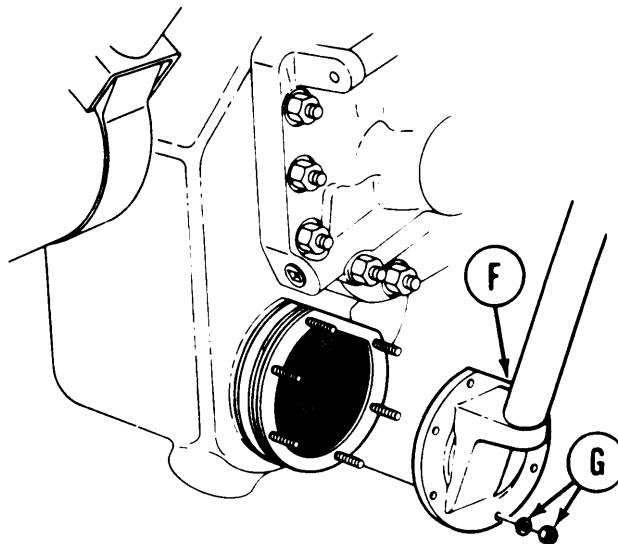
1. Install new gasket (A) to mounting studs.
2. Install side oil strainer assembly (B) into transmission opening with cover (C) flange mounted to studs.



3. Mount new gasket (D), strainer (E), and another new gasket (D) onto studs.



4. Mount oil filler tube (F) onto transmission studs, and secure tube (F) with six lockwashers and nuts (G).
5. Using 1/2 inch socket and extension or 1/2 inch wrench, tighten six nuts (G).
6. Install brake control housing (page 13-70).

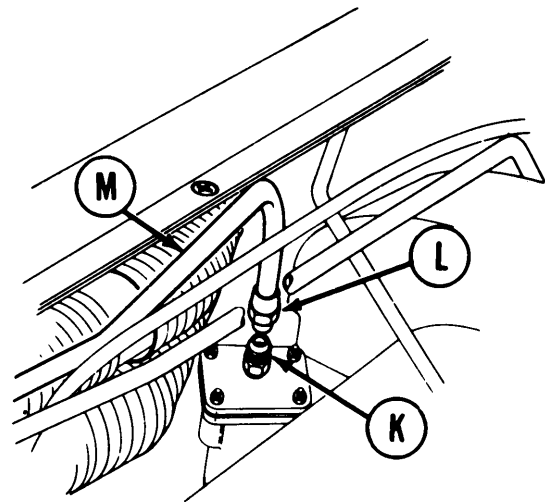
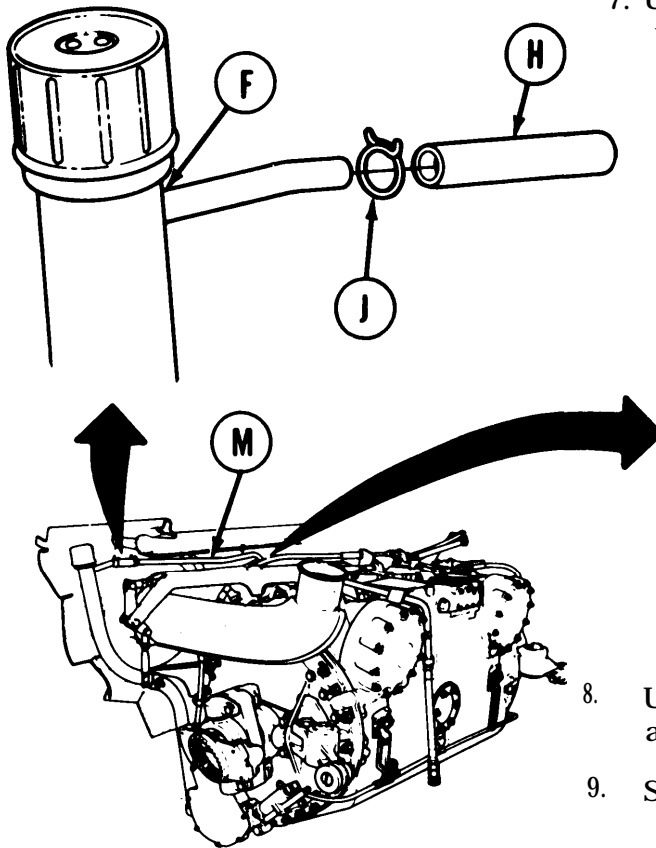


Go on to Sheet 7

TA169103

TRANSMISSION SIDE OIL STRAINER ASSEMBLY SERVICE (Sheet 7 of 8)

7. Using hose clamp pliers, install rubber tubing (H) with clamp (J) onto oil filler tube (F).



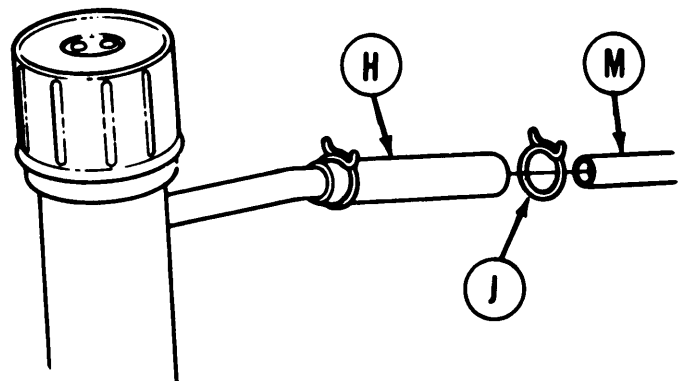
8. Using adjustable wrench, install nipple adapter (K) into transmission.

9. Slide nut (L) onto new vent tube (M).

10. Using tube bender, bend new vent tube (M) of same length as old tube into same shape as old tube.

11. Install nut (L) end of vent tube (M) onto nipple adapter (K). Using wrench, tighten nut (L).

12. Using hose clamp pliers, secure vent tube (M) into rubber tubing (H) with clamp (J).

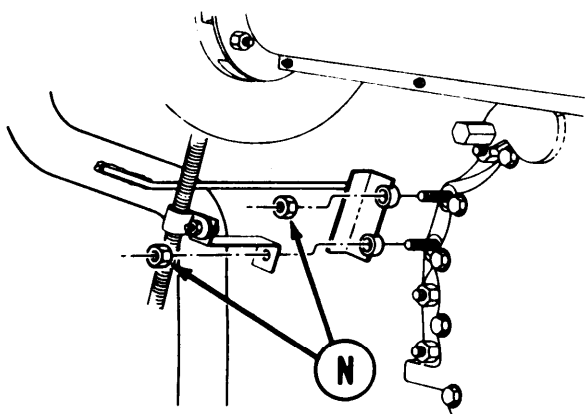
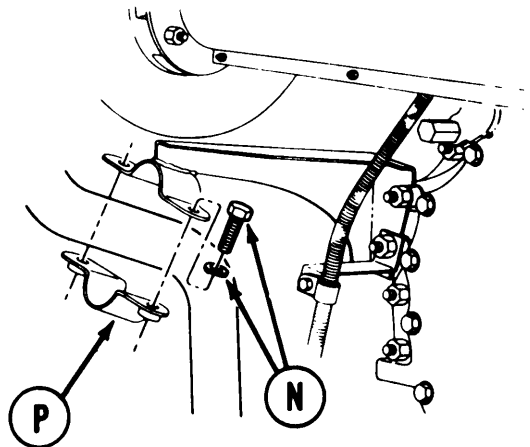


Go on to Sheet 8

TA169104

TRANSMISSION SIDE OIL STRAINER ASSEMBLY SERVICE (Sheet 8 of 8)

13. Position oil filler tube bracket (P).  
Secure bracket with two lockwashers and screws (N) or two nuts (N) on later transmission models.
14. Using 9/16 inch socket, tighten screws (N).



15. On later models, use 3/4 inch socket to tighten two nuts (N).

16. Service transmission (LO 5-5420-226-12).
17. Install powerplant (page 5-14).

End of Task

CHAPTER 12

FINAL DRIVE AND UNIVERSAL JOINTS MAINTENANCE



INDEX

Procedure	Page
Left and Right Final Drive Replacement . . . . .	12-2
Final Drive Air Pressure Relief Valve (Left and Right) Replacement . . . . .	12-6
Final Drive Adapter Assembly and Oil Seal Replacement . . . . .	12-7
Final Drive Magnetic Plug Replacement . . . . .	12-9
Final Drive Stud Replacement . . . . .	12-10
Ring (Quick-Disconnect) Assembly Replacement . . . . .	12-12
Universal Joint Replacement . . . . .	12-15
Universal Joint Repair. . . . .	12-22
Final Drive Venting System Replacement . . . . .	12-24



**LEFT AND RIGHT FINAL DRIVE REPLACEMENT (Sheet 1 of 4)**

**PROCEDURE INDEX**

PROCEDURE	PAGE
Removal	12-2
Installation	12-4

- TOOLS:** Hoist (capable of 1100 lb. minimum capacity)  
 Pinch bar  
 Socket wrench handle with 3/4 in. drive  
 1-1/2 in. socket with 3/4 in. drive  
 9 in. extension with 3/4 in. drive  
 Torque wrench with 3/4 in. drive (0-600 lb-ft) (813 N•m)  
 36 in. extension bar  
 Knife, putty  
 Hand impact wrench set

- Gloves (Item 72, Appendix D)  
 Goggles (Item 71, Appendix D)

- SUPPLIES:** Sealing compound (Item 27, Appendix D)  
 Lubricating oil (Item 44, Appendix D)  
 Self-locking nuts (17 required)  
 Small brush (Item 10, Appendix D)  
 Dry cleaning solvent (Item 55, Appendix D)  
 Rags (Item 65, Appendix D)

**PERSONNEL:** Two

- REFERENCES:** TM 5-5420-226-10  
 LO 5-5420-226-12

- PRELIMINARY PROCEDURES:** Remove powerplant (Page 5-2)  
 Remove powerplant guides (page 6-3)  
 Remove adapter assembly (page 12-7)  
 Remove air pressure relief valve (page 12-6)  
 Remove hub and sprockets assembly (page 14-56)  
 Drain oil from final drive (LO 5-5420-226-1 2)  
 Remove rear outrigger (page 16-65)

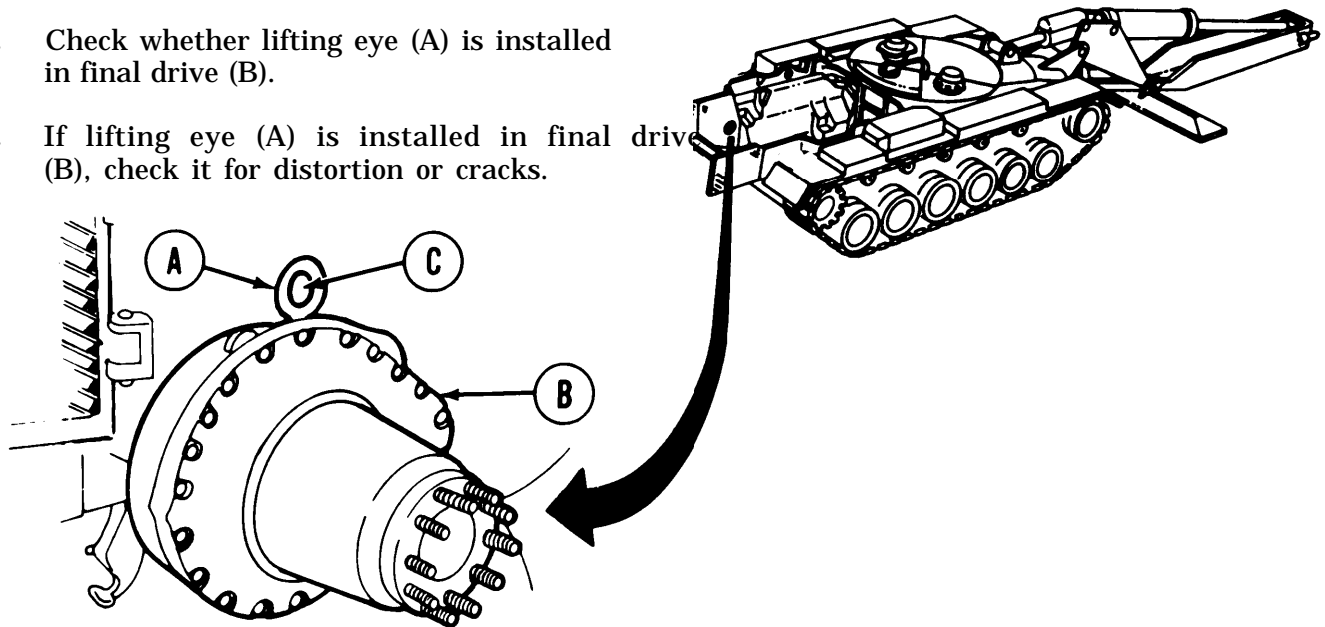
Go on to Sheet 2



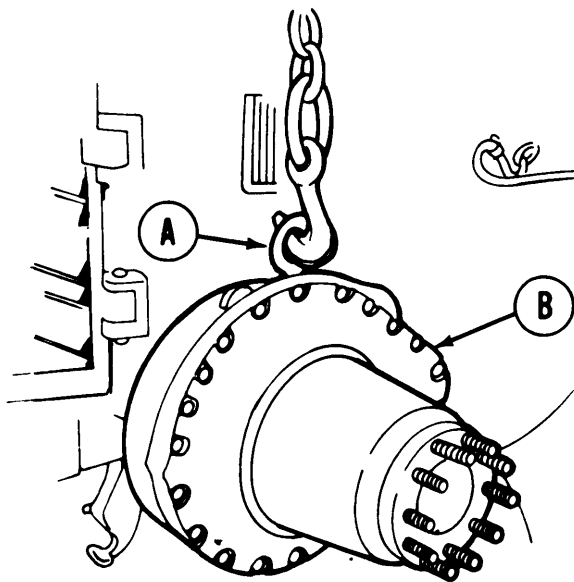
**LEFT AND RIGHT FINAL DRIVE REPLACEMENT (Sheet 2 of 4)**

**REMOVAL:**

1. Check whether lifting eye (A) is installed in final drive (B).
2. If lifting eye (A) is installed in final drive (B), check it for distortion or cracks.



3. If lifting eye (A) is distorted or cracked, using pinch bar through eyehole (C), turn and remove lifting eye (A) from final drive (B).
4. Start threads of new lifting eye (A) into final drive (B).



5. Using pinch bar, turn and tighten lifting eye (A).
6. If lifting eye (A) is not installed in final drive (B), using socket wrench handle, remove plug from lifting eyehole in final drive (B).
7. Install new lifting eye (A) as in steps 4 and 5 above.

**CAUTION**

**Use hoist with 1100 pounds minimum capacity.**

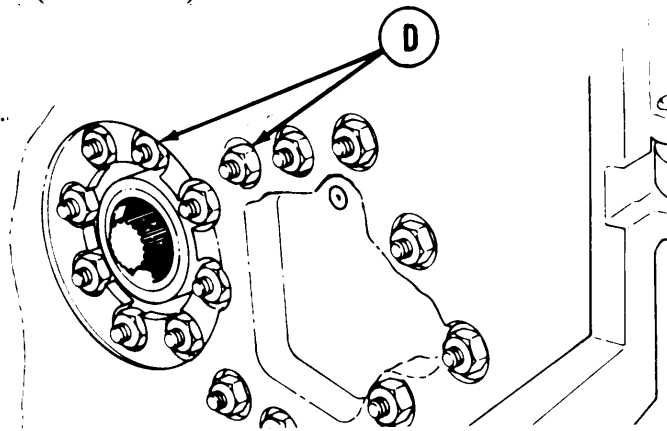
8. Connect hoist to lifting eye (A) on final drive (B).

Go on to Sheet 3

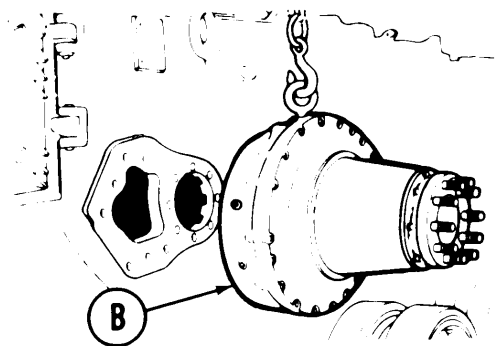
TA169109

LEFT AND RIGHT FINAL DRIVE REPLACEMENT (Sheet 3 of 4)

- 9. Using hand impact wrench set, remove 17 self-locking nuts (D) holding final drive (B) to hull. Discard self-locking nuts (D).



**WARNING**  
 Do not place hands under final drive (B) or between final drive (B) and hull (C). Injury to personnel may occur if final drive (B) inadvertently shifts.



- 10. Keeping hoist chain tight, slowly pull final drive (B) from hull.

**NOTE**  
 If final drive cannot be pulled free from hull, do step 10.1.

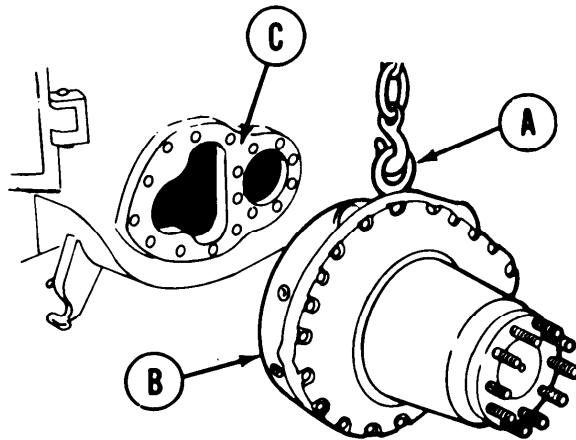
- 10.1. Using pinch bar, pry final drive (B) away from hull and slowly pull final drive (B) from hull

INSTALLATION:

- 11. Using hoist, slowly lower final drive (B) to a solid surface.

- 1. If lifting eye (A) is not installed in final drive (B), use socket handle wrench and remove plug from eyehole in final drive (B).
- 2. Using hoist, attach hook to lifting eye (A) on final drive (B). Using pinch bar, through lifting eye, tighten lifting eye (A).
- 3. Using hoist, attach hook to lifting eye (A) on final drive (B). Take slack out of hoist chain.
- 4. Using brush and sealing compound, coat final drive mating surface an hull (C).

**WARNING**  
 Do not place hands under final drive (B) or between final drive (B) and hull (C). Injury to personnel may occur if final drive (B) inadvertently shifts.



- 5. Using hoist, lift final drive (B) and position it so that studs are in alignment with mating surface on hull (C).

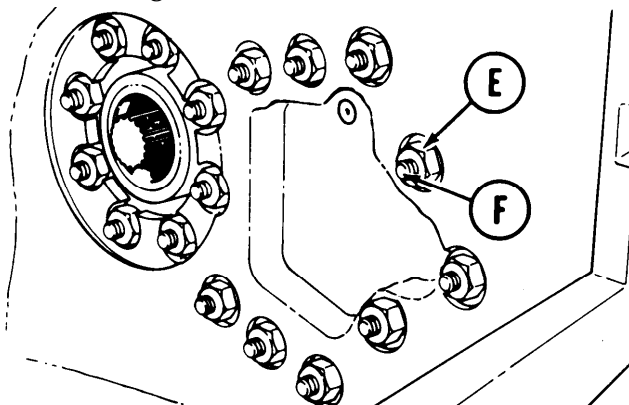
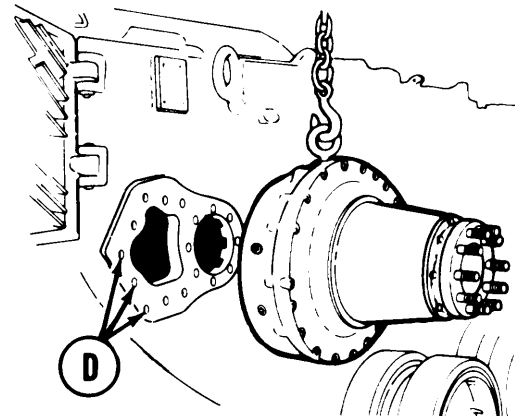
Go on to Sheet 3.1

**LEFT AND RIGHT FINAL DRIVE REPLACEMENT (Sheet 3.1 of 4)**

**CAUTION**

**Do not damage threads on mounting studs when installing studs through mounting holes.**

6. Carefully guide mounting studs through mounting holes (D) in side of hull.
7. Using lubricating oil, lubricate 17 new self-locking nuts (E).
8. Using fingers, start threads of 17 new self-locking nuts (E) onto final drive studs (F).



9. Using socket or offset link, install 17 new self-locking nuts (E).

**NOTE**

**Use hand impact wrench offset link with torque wrench where torque wrench cannot be used due to lack of space.**

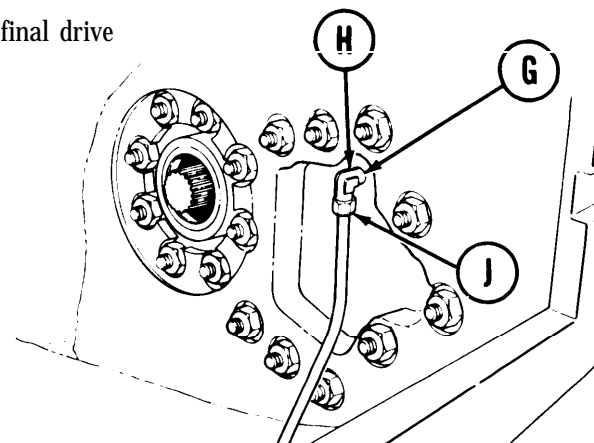
10. Using torque wrench, tighten 17 new self-locking nuts (E) to 460-500 lb-ft (625-680 N•m).

11. Remove hoist hook from final drive lifting eye.

**NOTE**

- **If your final drive is to be equipped with final drive venting system, perform steps 12 through 26 skipping step 21.**
- **If your final drive is to be equipped with an air pressure relief valve, skip steps 12 through 20.**

12. Using 3/16 inch allen wrench, remove plug (G) from final drive
13. Using adjustable wrench, install elbow (H) onto right final drive where plug (G) was.
14. Using fingers, connect tubing (J) to elbow (H).
15. Using torque wrench and crowfoot wrench, tighten tubing (J) nut 75-85 lb-in. (8.4-9.5 N•m).

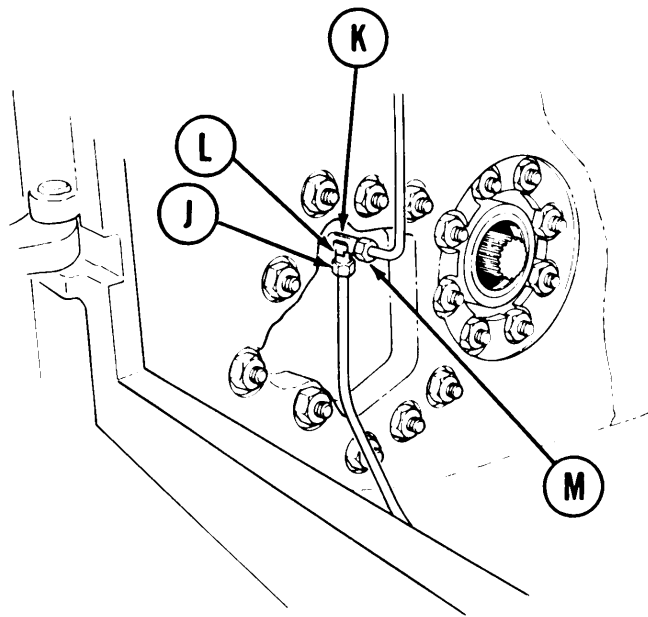


RIGHT SIDE

Go on to Sheet 4



## LEFT AND RIGHT FINAL DRIVE REPLACEMENT (Sheet 4 of 4)



Left Side

16. Using 3/16 inch allen wrench, remove plug (K) from left final drive.
17. Using adjustable wrench, install tee (L) into left final drive where plug (K) was.

18. Using fingers connect tube assembly (M) and tubing (J) to tee (L).
19. Using torque wrench and crowfoot wrench, tighten tubing (J) nut 75-85 lb-in. (8.4-9.5 N•m).
20. Using torque wrench and crowfoot wrench, tighten tube assembly (M) nut 75-85 lb-in. (8.4-9.5 N•m).
21. Install final drive air pressure valve (page 12-6).
22. Install hub and sprockets assembly (page 14-61).
23. Install rear outrigger (page 16-66).
24. Install adapter assembly (page 12-8).
25. Install powerplant guides (page 6-3).
26. Install powerplant (page 5-14).
27. Fill final drive with oil (LO 5-5420-226-12).
28. Drive vehicle to perform operational check (TM 5-5420-226-10).

End of Task

**FINAL DRIVE AIR PRESSURE RELIEF VALVE (LEFT AND RIGHT) REPLACEMENT (Sheet 1 of 1)**

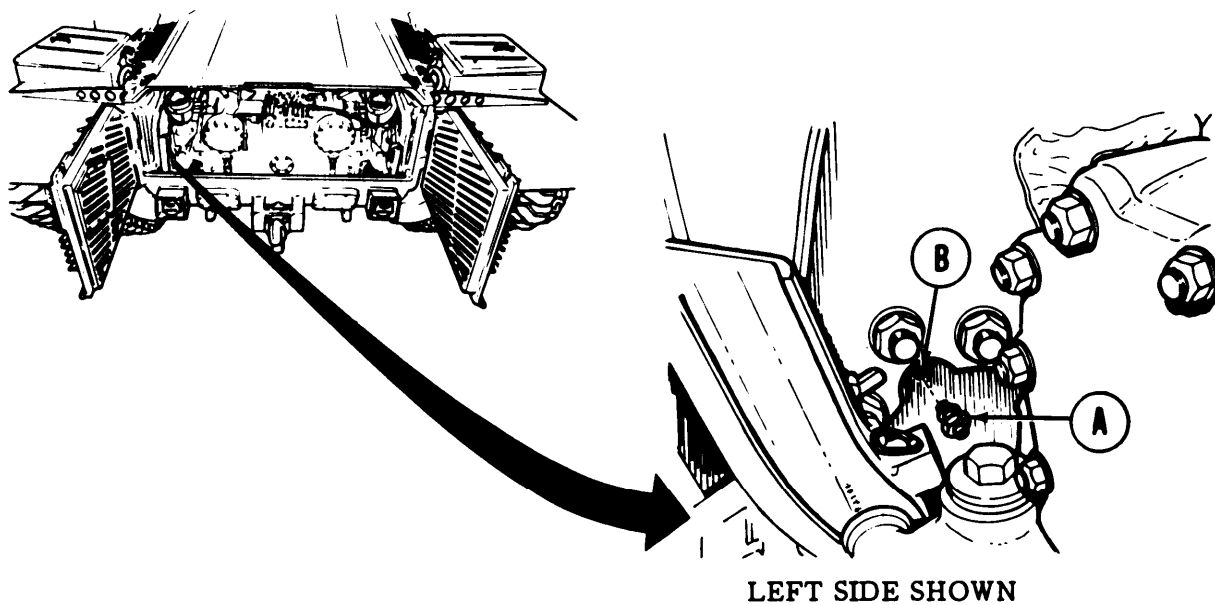
TOOLS: 7/16 in. combination box and open end wrench

SUPPLIES: Clean rag (Item 65, Appendix D)

PRELIMINARY PROCEDURES: Remove transmission shroud (page 9-2)

REMOVAL:

1. Using wrench, remove air pressure valve (A) from installation hole (B) in drive housing.



2. Inspect air pressure valve to insure that vent cap is free to move on valve. Replace as required.

INSTALLATION:

1. Using wrench, install air pressure valve (A) into installation hole (B).
2. Install transmission shroud (page 9-6)

End of Task

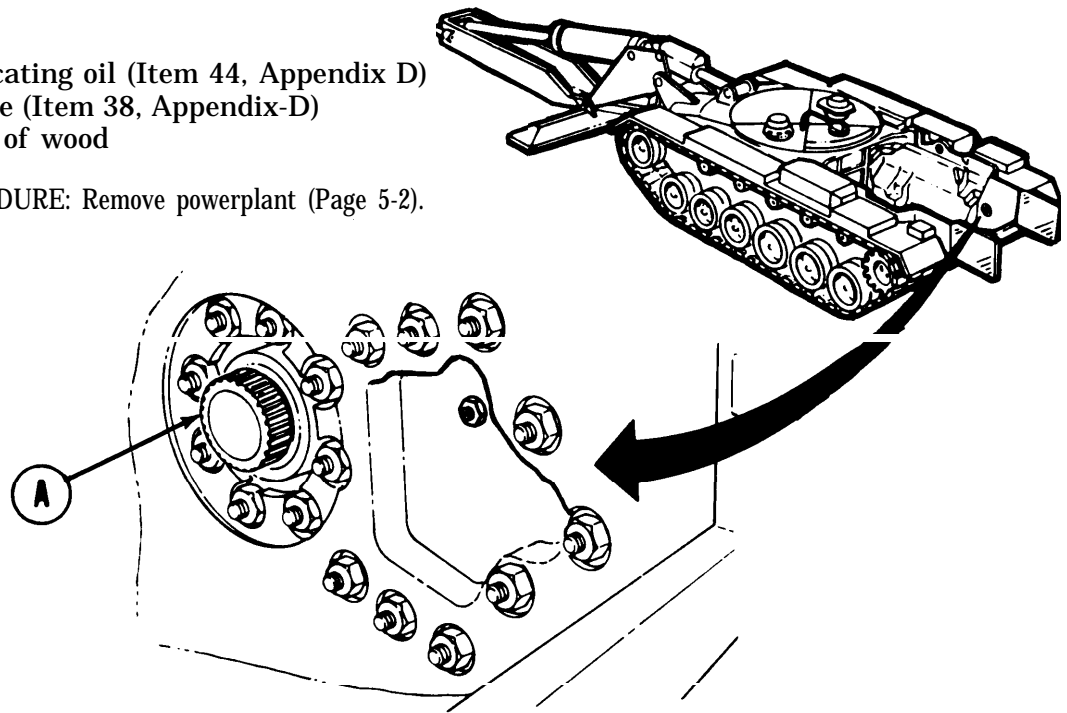
TA169112

**FINAL DRIVE ADAPTER ASSEMBLY AND OIL SEAL Replacement (Sheet 1 of 2)**

TOOLS: Pinch bar  
 Hammer

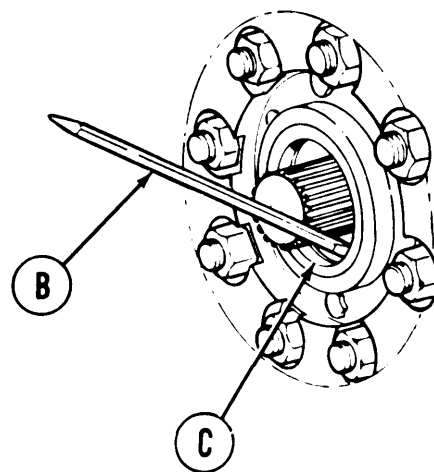
SUPPLIES: Lubricating oil (Item 44, Appendix D)  
 Grease (Item 38, Appendix-D)  
 Block of wood

PRELIMINARY PROCEDURE: Remove powerplant (Page 5-2).



**REMOVAL**

1. Remove final drive adapter assembly (A) from final drive assembly input shaft by manually pulling final drive adapter assembly (A) straight out.
  
2. Using pinch bar (B) remove seal (C) by prying around the entire seal (C)



Go on to Sheet 2

TA169113

**FINAL DRIVE ADAPTER ASSEMBLY AND OIL SEAL REPLACEMENT (Sheet 2 of 2,**

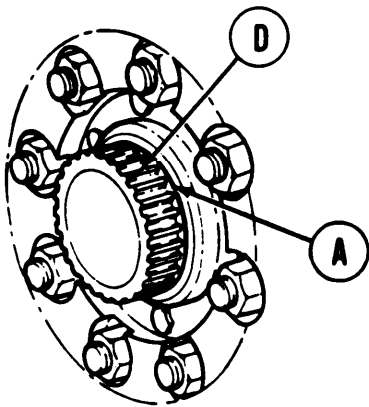
INSTALLATION:

1. Positioned (A) in vehicle.
2. Make sure that rubber lip of seal (A) is toward inside of vehicle hull.
3. Using hammer (B) and block of wood (C), tap seal (A) into place.

**NOTE**

**Seal is seated when tapped in as far as it will go.**

4. Make sure that all sand, grit, and accumulated debris has been removed from the final drive adapter assembly (D).



5. Apply grease inside final drive adapter assembly (D) and on final drive assembly input shaft spline (E).
6. Using oil, lightly coat outside surface of final drive adapter assembly (D).
7. Alining internal splines in final drive adapter assembly (D) with splines on input shaft (E), slide final drive adapter assembly (D) onto input shaft and into seal (A).
  - a. Install powerplant (page 5-14).

End of Task

TA169114

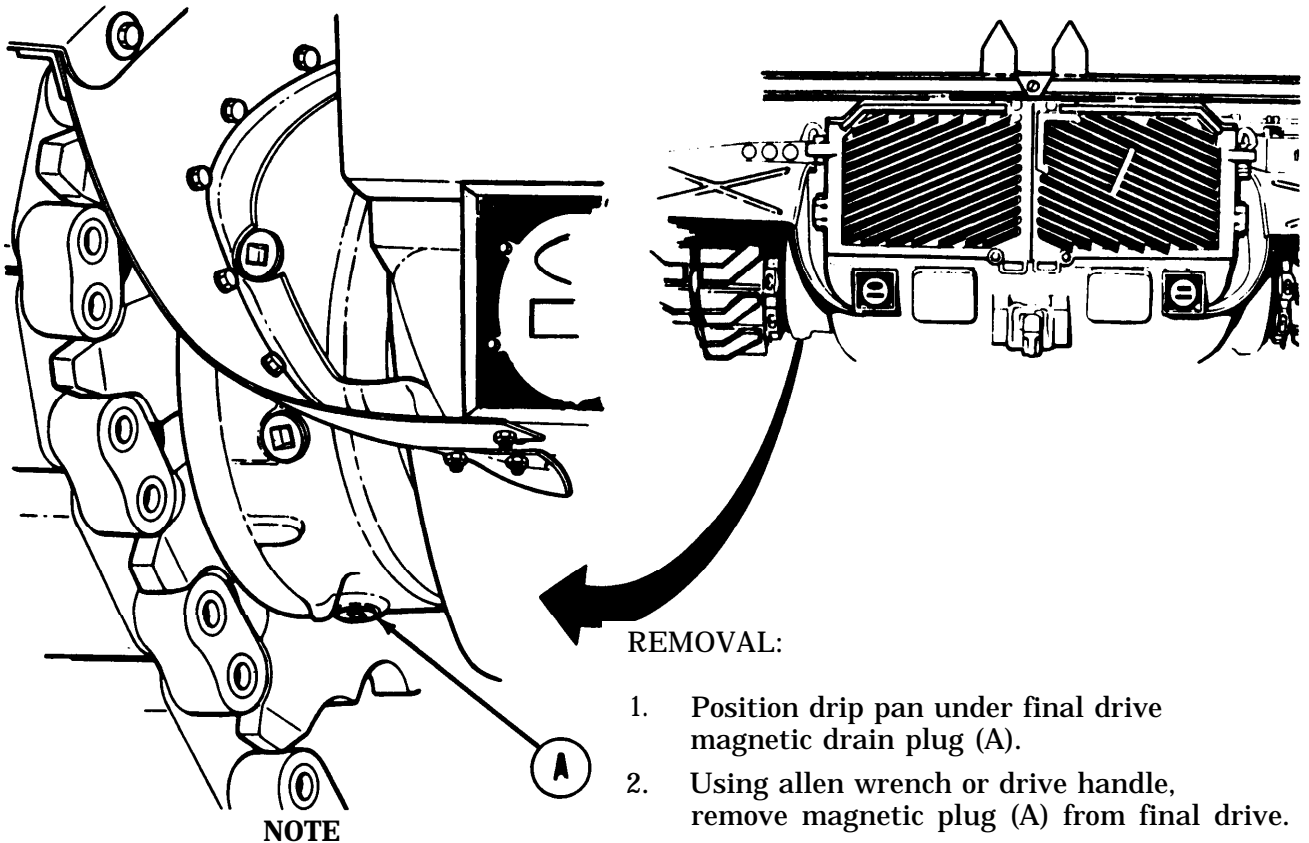


**FINAL DRIVE MAGNETIC PLUG REPLACEMENT**

**TOOLS:** 5/8 in. key, socket head screw (allen wrench)  
Socket wrench handle with 1/2 in. drive

**SUPPLIES:** Drip pan

**REFERENCE:** LO 5-5420-226-12



**Magnetic plug may be either a square or a hex drive. Use 5/8 inch key wrench or 1/2 inch drive handle, as required.**

**INSPECTION:**

1. Check magnetic plug (A) for cracks or thread damage.
2. Replace magnetic plug (A) if damaged or worn.

**INSTALLATION:**

1. Using allen wrench, or drive handle, install magnetic plug (A) in final drive
2. Replace oil (LO 5-5420-226-12).

End of Task

TA169115

**FINAL DRIVE STUD REPLACEMENT (Sheet 1 of 2)**

**TOOLS:** 1-1/2 in. open end wrench  
Hammer  
Pipe wrench (2 in. opening)  
Ruler

**SUPPLIES:** Primer (Item 49, Appendix D)  
Sealing compound (Item 26, Appendix D)  
Two small brushes (Item 10, Appendix D)  
Penetrating oil (Item 43, Appendix D)

**PRELIMINARY PROCEDURE:** Remove final drive (page 12-2)

**REMOVAL:**

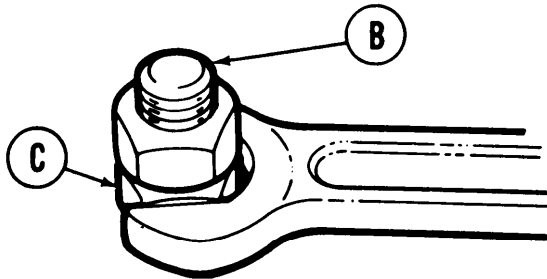
**NOTE**

**If stud is bent or cracked, go to step 1. If stud has damaged threads or broken off below threads, go to step 2.**

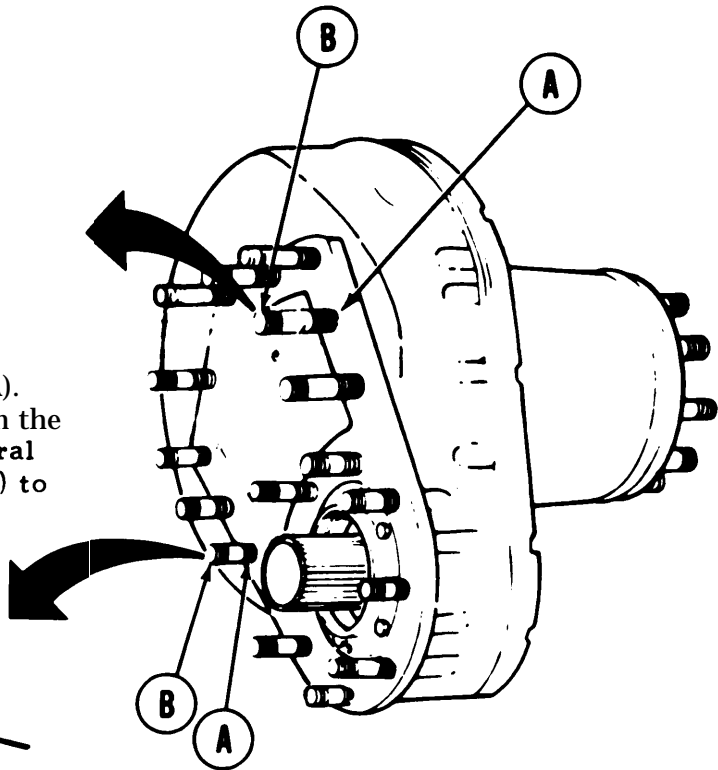
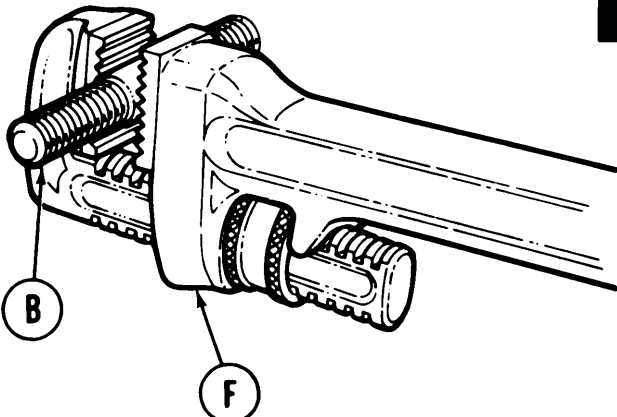
**If stud is broken off, flush with final drive housing, notify support maintenance.**

**NOTE**

**Studs come in three different lengths. Make sure you order the right size.**



1. Apply penetrating oil to base of stud (A). Thread two hex nuts on stud (B) and jam the nuts. Sharply tap head of stud (B) several times with hammer. Turn lower nut (C) to remove stud (B).



2. Apply penetrating oil to base of stud (A). Sharply tap head of stud (B) with hammer. Using pipe wrench (F), remove broken stud (B).

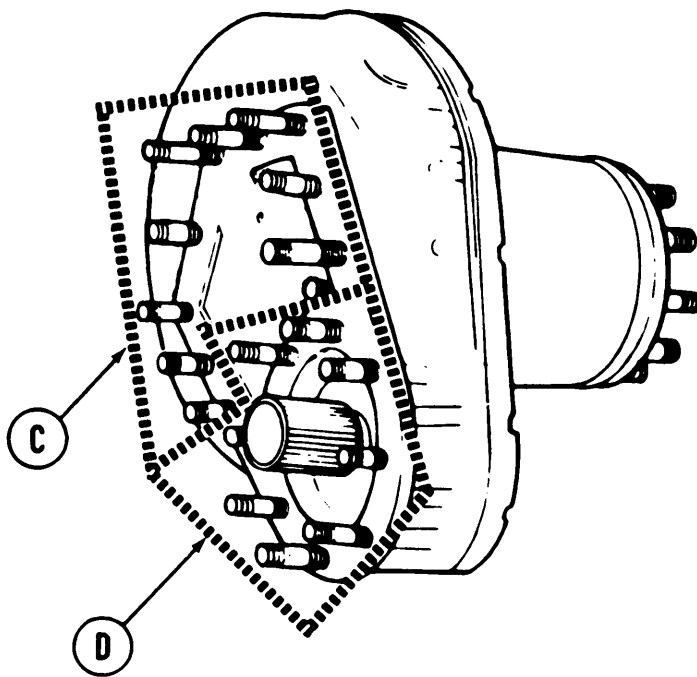
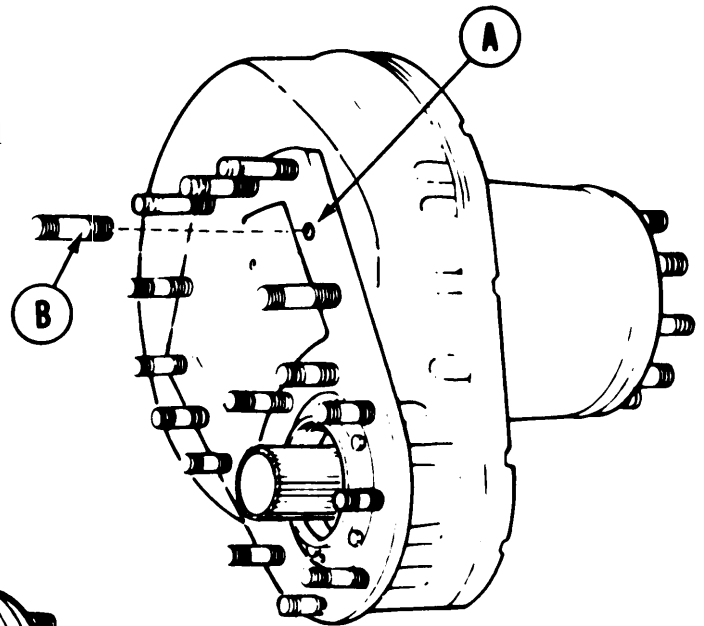
Go on to Sheet 2

TA169116

**FINAL DRIVE STUD REPLACEMENT (Sheet 2 of 2)**

**INSTALLATION:**

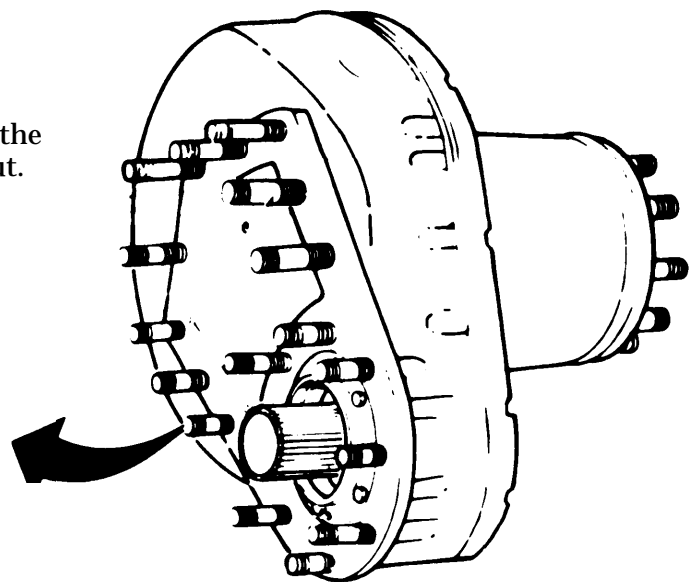
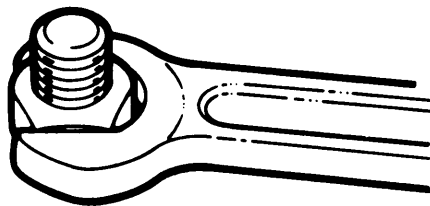
1. Using clean brush, lightly coat tapped stud holes (A) with primer.
2. Using clean brush, lightly coat threads of studs (B) with sealing compound.



**NOTE**

Any stud installed in area (C) must protrude 2-15/16 inches out of tapped stud hole.  
Any stud installed in area (D) must protrude 2-1/4 inches out of tapped stud hole.

3. Thread two hex nuts on new stud and jam the nuts. Using 1-1/2 inch wrench on top nut, install new-stud (B).



4. Install final drive (page 12-4).

End of Task

TA169117

**TM 5-5420-226-20-3**

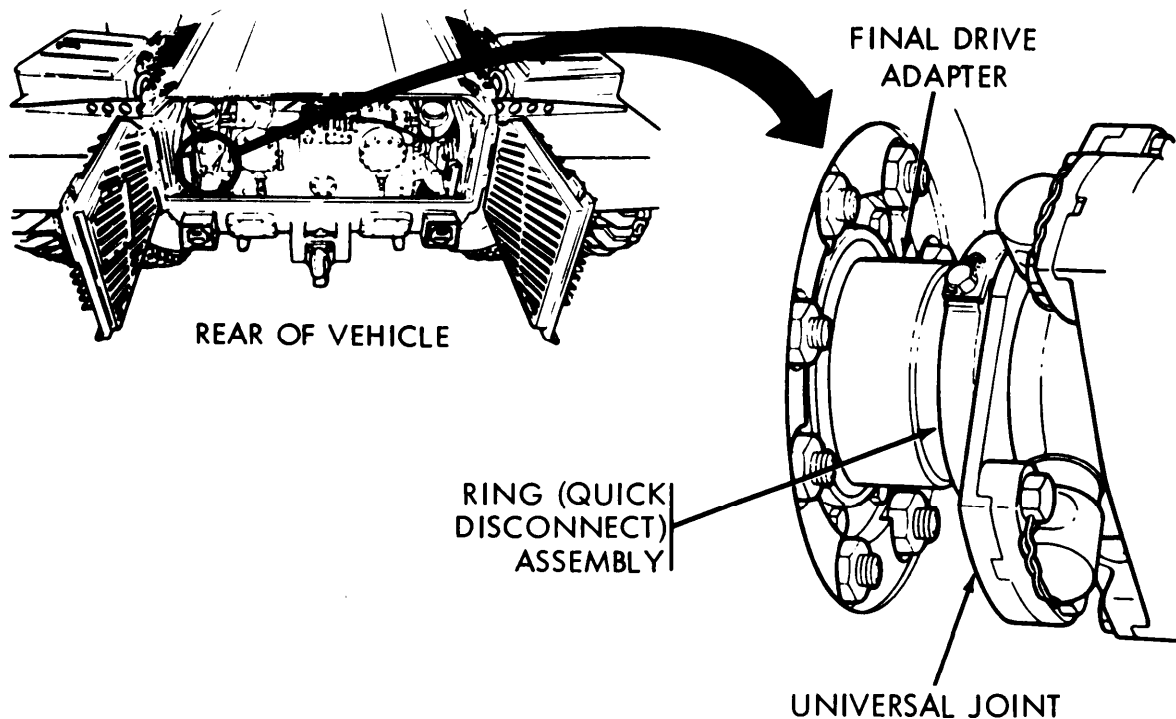
**RING (QUICK-DISCONNECT) ASSEMBLY REPLACEMENT (Sheet 1 of 3)**

**TOOLS:** Wire cutter  
Ratchet with 1/2 in. drive  
3/4 in. socket with 1/2 in. drive  
5 in. extension with 1/2 in. drive

**SUPPLIES:** Lockwire (Item 60, Appendix D)

**REFERENCE:** TM 5-5420-226-10

**PRELIMINARY PROCEDURE:** Remove transmission shroud (page 9-2)



Go on to Sheet 2

TA169118

**RING (QUICK-DISCONNECT) ASSEMBLY REPLACEMENT (Sheet 2 of 3)**

**NOTE**

**Do the following procedure for both sides of powerplant.**

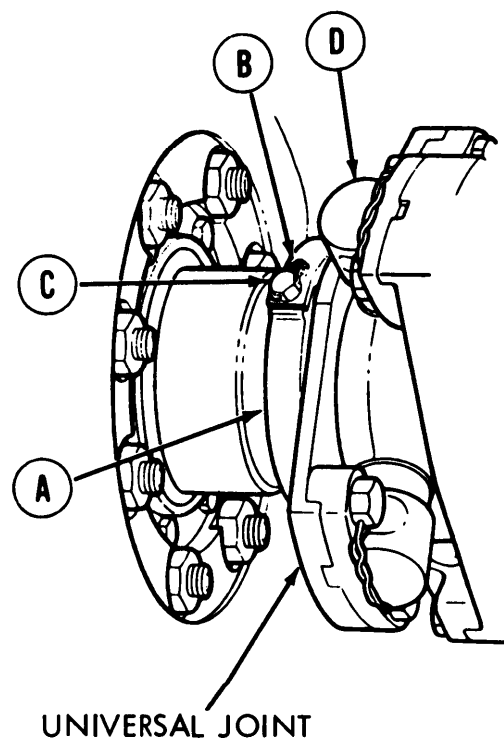
**REMOVAL:**

1. Rotate ring (quick-disconnect) assembly (A) to a workable position.
2. Using wire cutter, cut lockwire (B).

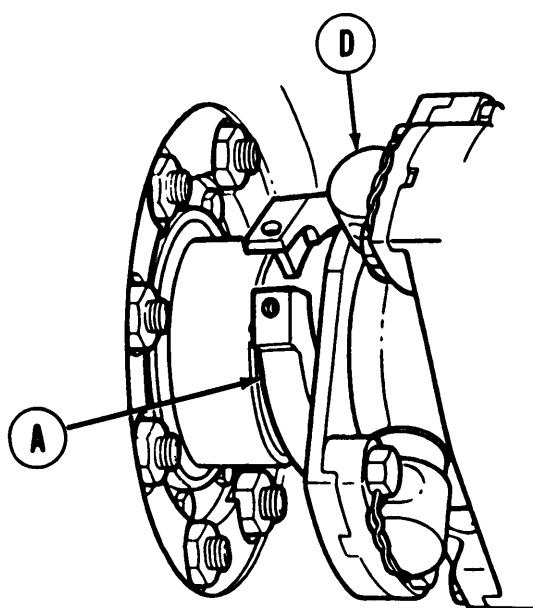
**NOTE**

**When removing screw (C), hold onto quick-disconnect ring (A) or it will snap open and fall down into engine compartment.**

3. Using socket and extension, remove screw (C).



4. Remove ring (quick-disconnect) assembly (A) from universal joint (D).

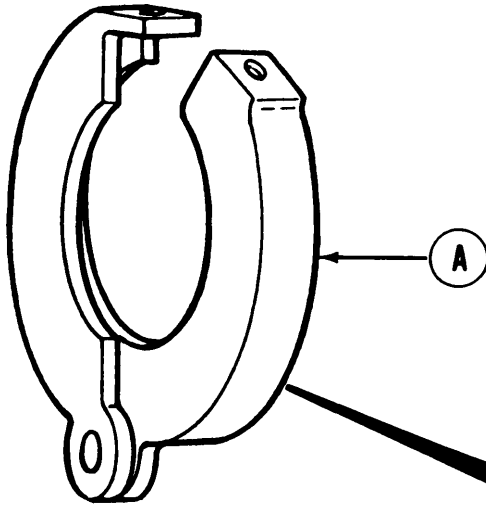


Go on to Sheet 3

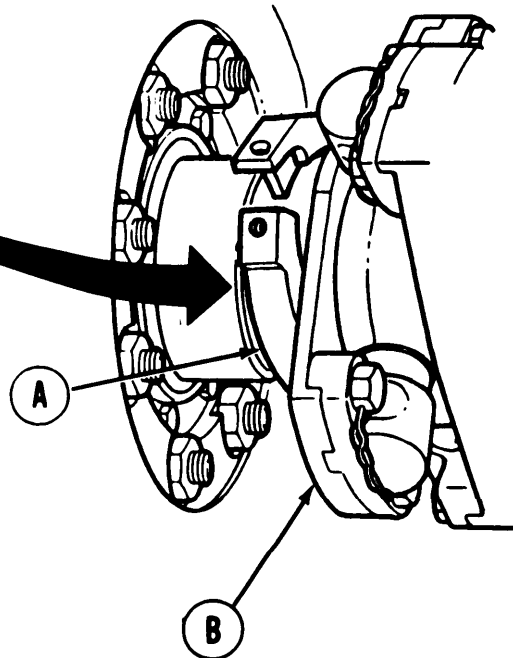
TA169120

RING (QUICK-DISCONNECT) ASSEMBLY REPLACEMENT (Sheet 3 of 3)

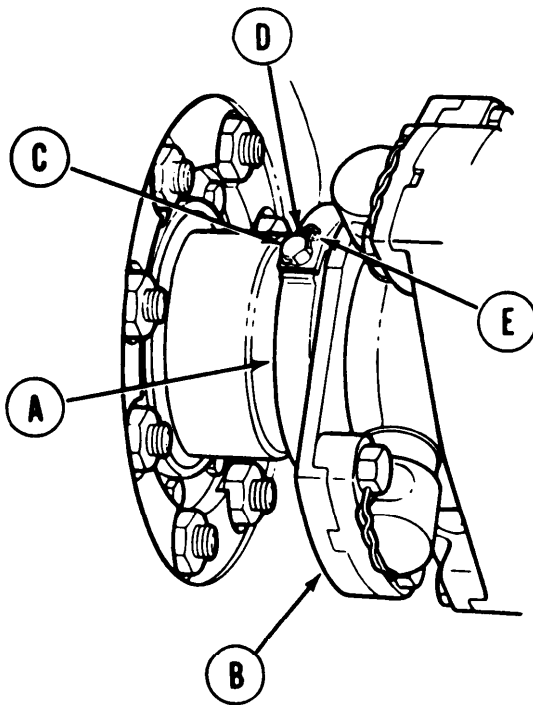
INSTALLATION:



1. Install ring (quick-disconnect) assembly (A) around universal joint (B).
2. Install screw (C) to ring (quick-disconnect) assembly (A).



3. Using socket and extension, tighten screw (C).



4. String new lockwire (D) through screw (C) and opening in ring (E).
5. Install transmission shroud (page 9-6).

End of Task

TA169121

**UNIVERSAL JOINT REPLACEMENT (Sheet 1 of 7)**

**PROCEDURE INDEX**

PROCEDURE	PAGE
Removal	12-16
Inspection	12-18
Installation	12-18.2

**TOOLS:** 13/16 in. socket with 1/2 in. drive  
 2 in. extension with 1/2 in. drive  
 Ratchet with 1/2 in. drive  
 Socket wrench handle with 1/2 in. drive  
 Torque wrench with 1/2 in. drive (0-175 lb-ft) (0-237 N•m)  
 Diagonal cutting pliers  
 Slip joint pliers  
 Alining punch  
 Pinch bar  
 Crowbar  
 Hammer  
 92 lb. minimum capacity hoist  
 3/4 in. socket with 1/2 in. drive  
 1-1/2 in. combination box and open end wrench

Thickness gage  
 Oxy-acetylene welding equipment  
 10 in. flat file  
 Torque wrench with 3/8 in. drive  
 (0-200lb-in.) (0-23 N•m)  
 Adapter 1/2 in-3/8 in.

**SPECIAL TOOLS:** Center punch (Figure F-9, Appendix F)

**SUPPLIES:** Locking wire (Item 61, Appendix D)  
 Dry cleaning solvent (Item 55, Appendix D)  
 Rags (Item 65, Appendix D)  
 Rubber gloves (Item 72, Appendix D)

Paint brush (Item 73, Appendix D)  
 Brazing alloy (Item 74, Appendix D)  
 Welding flux (Item 75, Appendix D)  
 Industrial goggles (Item 71, Appendix D)

**PERSONNEL:** Two

**REFERENCES:** TM 5-5420-226-10  
 LO 5-5420-226-12

**PRELIMINARY PROCEDURES:** Remove top deck (page 16-21)  
 Remove transmission shroud (page 9-2)  
 Remove transmission shroud support (page 9-15)  
 Remove turbosupercharger outlet elbow (page 7-75)  
 Block both tracks front and rear, place transmission selector lever  
 in neutral (N) and make sure brake is released  
 (TM 5-5420-226-10)  
 Pull transmission mounting guide towards rear

Go on to Sheet 2

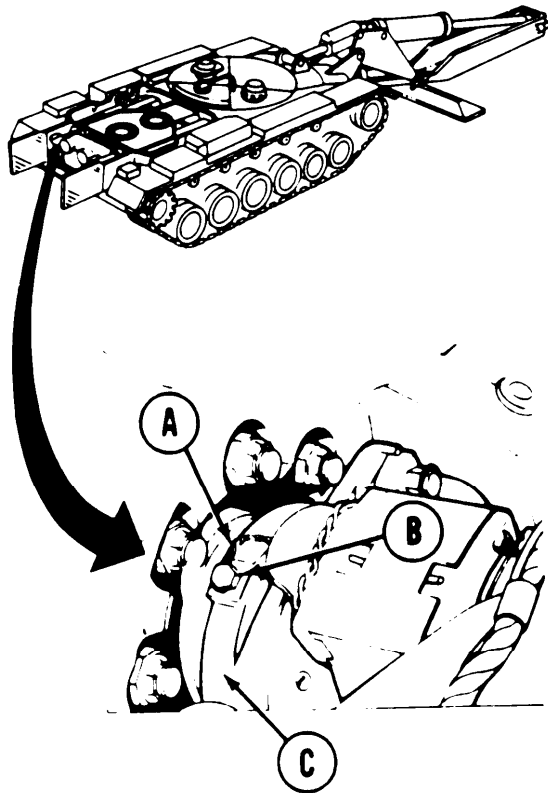
UNIVERSAL JOINT REPLACEMENT (Sheet 2 of 7)

REMOVAL:

**NOTE**

**Turn quick-disconnect clamp until it is in working position.**

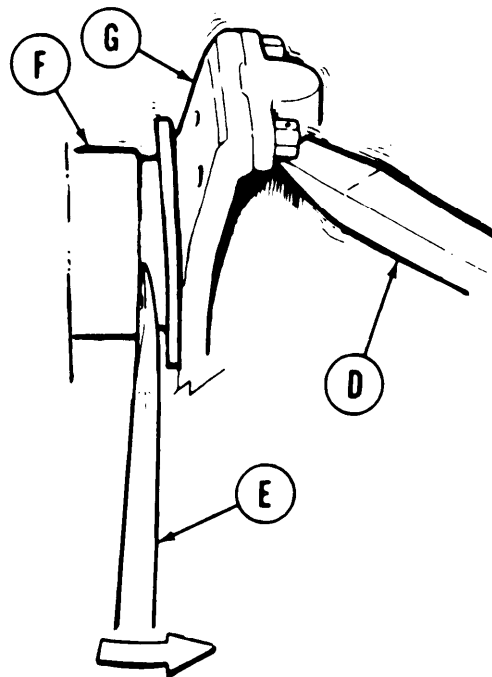
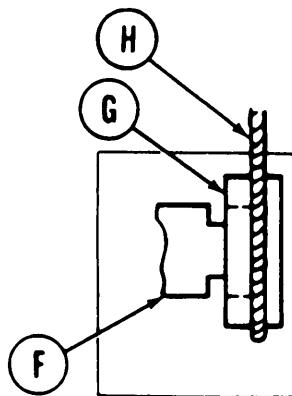
1. Using cutting pliers, cut locking wire (A).
2. Using extension and 3/4 inch socket, remove screw (B).
3. Open quick-disconnect clamp (C).
4. Remove quick-disconnect clamp (C).
5. Check quick-disconnect clamp (C) for cracks, breaks, and spring hinge. Replace if necessary.
6. Place large crowbar (D) in position to support final drive flange (G).
7. While holding down on large crowbar (D), use pinch bar (E) to pry final drive adapter assembly (F) until it comes loose from final drive flange (G).



**CAUTION**

**Use rope capable of picking up and holding at least 92 pounds.**

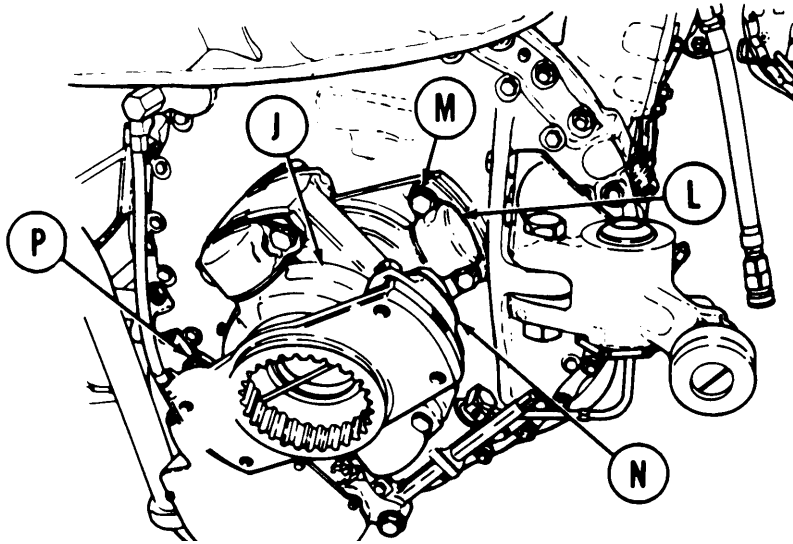
8. Attach rope (H) loosely to universal joint.



Go on to Sheet 3



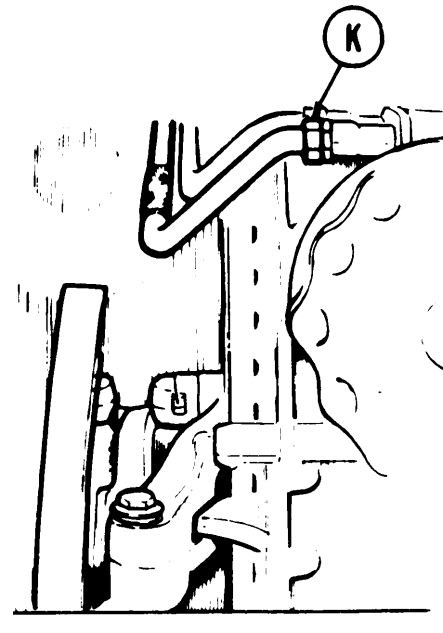
## UNIVERSAL JOINT REPLACEMENT (Sheet 3 of 7)



9. Using 1-1/2 inch wrench, loosen connector (K). Move oil cooler tube to one side.
10. Using cutting pliers, cut two locking wires (L). Remove locking wires.

## NOTE

**Turn universal joint (J) left or right to remove all four screws (M). It may be necessary to use crowbar to wedge universal joint to prevent it from turning while removing screws (M).**



11. Using 13/16 inch socket, remove three of four screws (M).
12. Tighten rope to universal joint (J).
13. Using 13/16 inch socket and extension, remove fourth screw (M).
14. Using rope and crowbar, lift universal joint from vehicle and place in work area.
15. Remove rope from universal joint.
16. Using cutting pliers, cut locking wire (N). Remove locking wire.
17. Using 13/16 inch socket and hammer, if required, loosen four screws (P).
18. Using 13/16 inch socket, remove four screws (P).

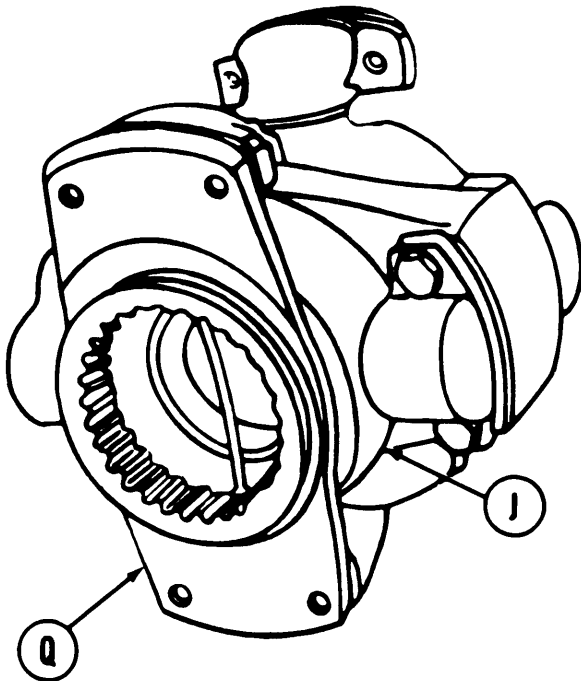
Go on to Sheet 4

UNIVERSAL JOINT REPLACEMENT (Sheet 4 of 7)

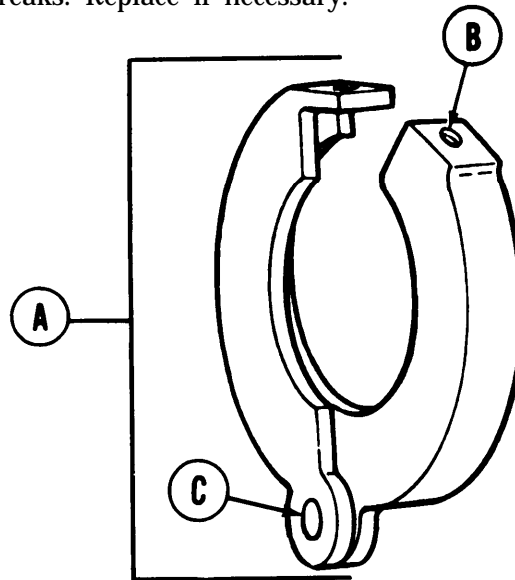
19. Using hammer, tap final drive flange (Q) loose from universal joint (J).
20. Remove final drive flange (Q) from universal joint (J).

**WARNING**

Dry cleaning solvent P-D-680 is toxic and flammable. To prevent personal injury, wear protective goggles and gloves and use only in a well-ventilated area. Avoid contact with skin, eyes, and clothes and don't breathe vapors. Do not use near open flame or excessive heat. The flash point for Type #1 Dry Cleaning Solvent is 100 F (38 °C) and for Type #2 is 138 °F (50 °C). If you become dizzy while using cleaning solvent, get fresh air immediately and get medical aid. If contact with eyes is made, wash your eyes with water and get medical aid immediately.



21. Wearing rubber gloves and using rags and dry cleaning solvent, clean final drive flange (Q).
22. Check final drive flange (Q) for cracks and breaks. Replace if necessary.



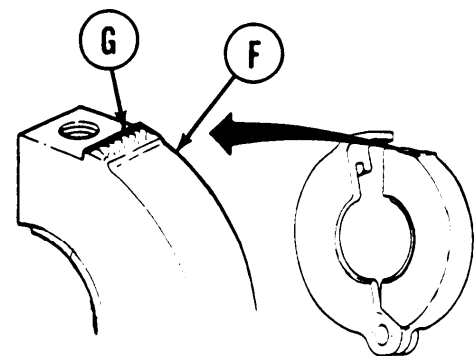
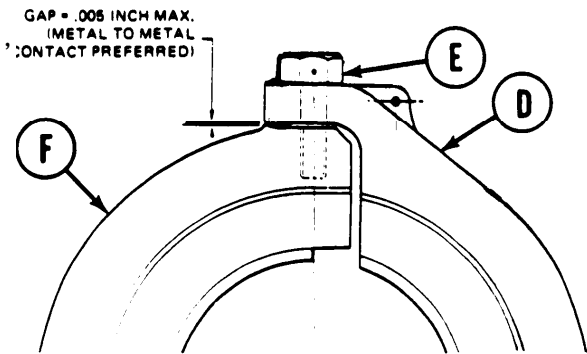
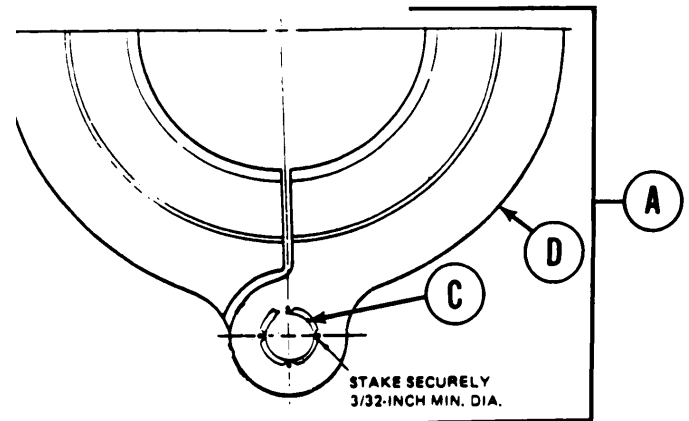
INSPECTION:

1. Using brush and solvent clean quick-disconnect clamp (A). Be sure tapped hole (B) is free of grease and dirt.
2. Inspect tapped hole (B) for cross-threaded or stripped threads. If threads are damaged, replace quick-disconnect clamp (A).
3. Check for looseness of pin (C). If pin (C) is loose, replace quick-disconnect clamp (A).

Go on to Sheet 4.1

**UNIVERSAL JOINT REPLACEMENT (Sheet 4.1 of 7)**

4. Check staking of pin (C). Stake marks should be on flange (D) and overlapping pin (C) on four sides.
5. If not staked properly, use fabricated center punch and stake pin (C) four places, equally spaced on flange (D). If chamfer on flange (D) is so large that metal does not mushroom over pin (C) when staked, replace quick-disconnect clamp (A).
6. Inspect quick-disconnect clamp (A) for cracks, breaks, or sprung hinge. If damaged, replace quick-disconnect clamp (A).
7. Close quick-disconnect clamp (A) and install screw (E) finger tight.
8. Using thickness gage, check clearance between flange (F) and flange (D). Clearance must be 0.000 to 0.005 inch. If more than 0.005 inch, proceed to step 9. If clearance is within tolerance, go to sheet 4.2.
9. Using oxy-acetylene welding equipment, brazing alloy and welding flux, braze a bead (G) across top of flange (F).
10. Using file, file bead (G) down until metal to metal contact exists between flange (F) and flange (D).

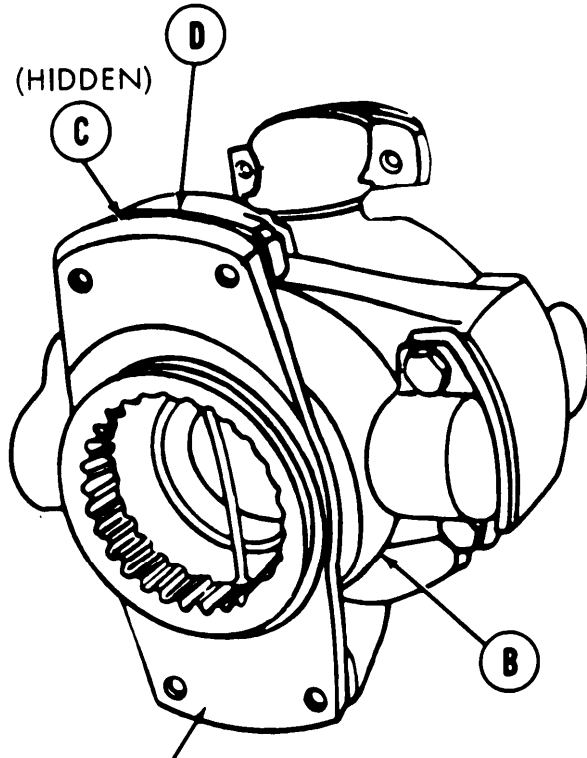


Go on to Sheet 4.2

## UNIVERSAL JOINT REPLACEMENT (Sheet 4.2 of 7)

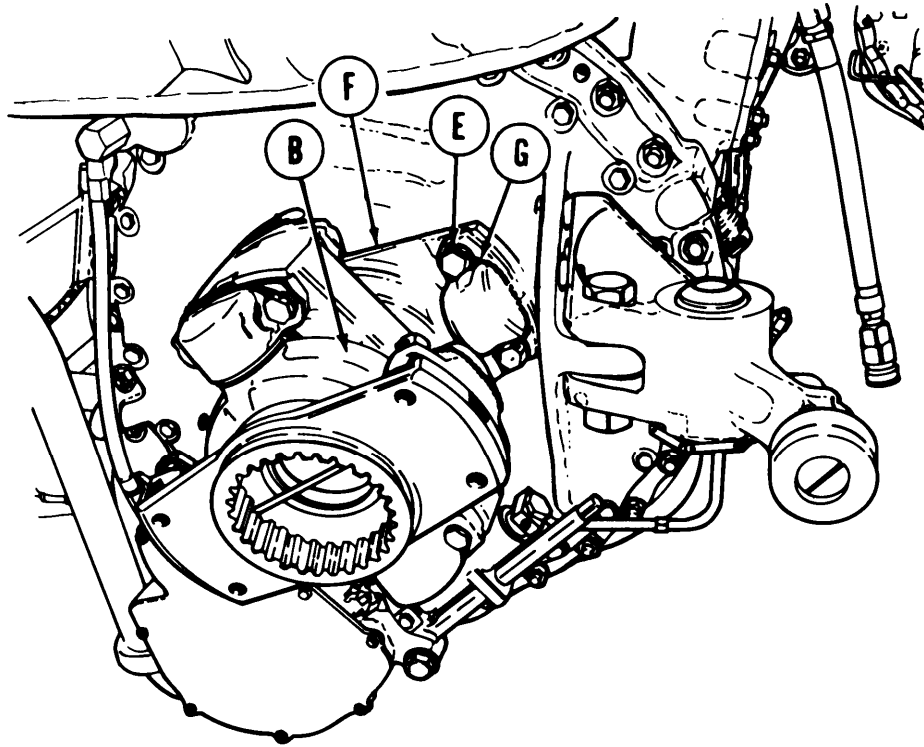
### INSTALLATION:

- 1 Position final drive flange (A) to universal joint (B).
- 2 Using 13/16 inch socket, install four screws (C).
- 3 Using torque wrench, tighten four screws (C) to 110-130 lb-ft (146-173 N•m).
- 4 Using slip joint pliers, install locking wires (D) to each two adjacent screws (C).



Go on to Sheet 5

## UNIVERSAL JOINT REPLACEMENT (Sheet 5 of 7)

**CAUTION**

**Use rope capable of picking up and holding at least 92 lbs.**

5. Using rope and crowbar, position universal joint (B) into general position in vehicle.
6. Insert alining punch through hole for one of the screws (E), and into corresponding transmission flange (F) screw hole to aline universal joint.

**NOTE**

**Turn universal joint (B) left or right to install four screws (E) and two locking wires (G).**

7. Aline three remaining screw holes (E) with transmission flange (F).
8. Start threads of three screws (E), by hand.
9. Remove alining punch from fourth screw hole.
10. Start threads of fourth screw (E), by hand.

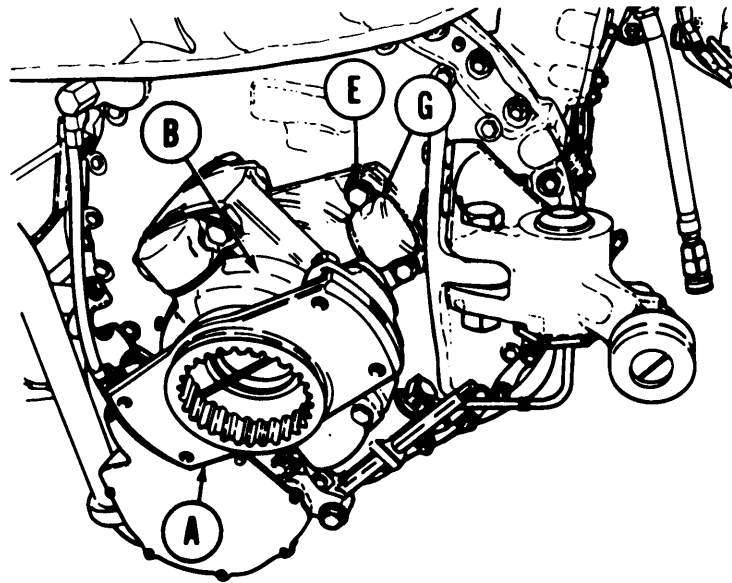
Go on to Sheet 6

TA169126

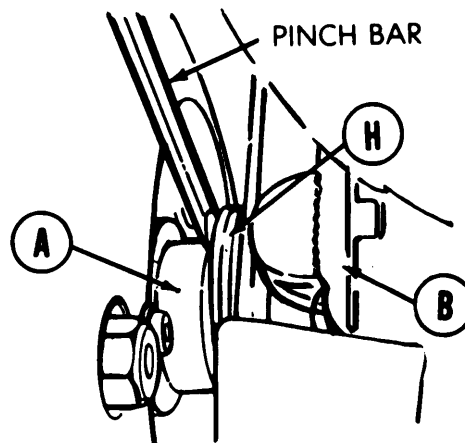
UNIVERSAL JOINT REPLACEMENT (Sheet 6 of 7)

NOTE

It may be necessary to use pry bar to wedge the universal joint to prevent it from turning while tightening screw (E).



11. Using 13/16 inch socket, tighten four screws (E).
12. Using torque wrench, tighten four screws (E) to 110-130 lb-ft (146-173 N•m).
13. Using slip joint pliers, install locking wire (G) to each two adjacent screws (E) (page C-28).



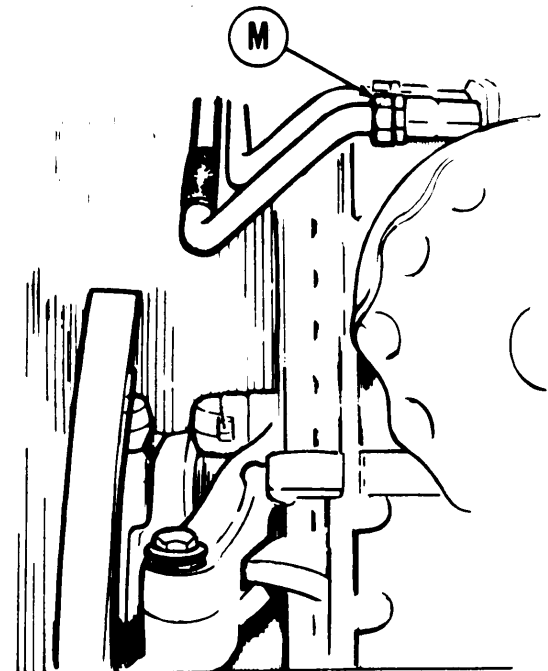
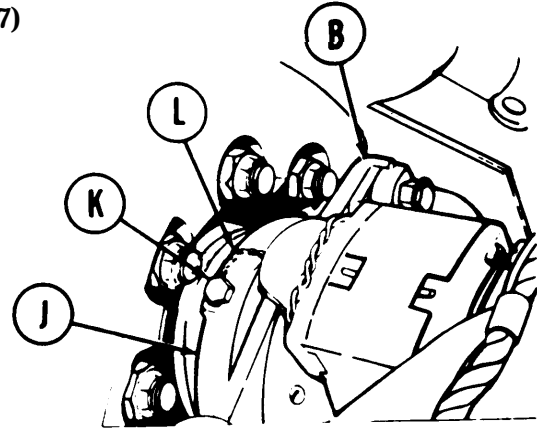
14. Using rope, have second technician, align universal joint with final drive adapter (H).
15. Using pinch bar, pry final drive adapter (H) away from final drive (A) into universal joint (B) (each side).

Go on to Sheet 7

TA169126

**UNIVERSAL JOINT REPLACEMENT (Sheet 7 of 7)**

16. Remove rope from universal joint (B).
17. Fit quick-disconnect clamp (J) over grooves in final drive flange and final drive adapter assembly.
18. Hold quick-disconnect clamp (J) over grooves in final drive flange and final drive adapter assembly.
19. Close quick-disconnect clamp (J).
20. Using extension and 3/4 inch socket, install one screw (K).
21. Using torque wrench, torque screw (K) to 60-120 lb-in. (7-14 N•m).
22. Using slip joint pliers, install locking wire (L) to screw (K) and quick-disconnect clamp (J).
23. Using 1-1/2 inch wrench, install tube (M) to transmission.
24. Install turbosupercharger outlet elbow (page 7-77).
25. Lubricate universal joint (LO 5-5420-226-12).
26. Install transmission shroud support (page 9-15).
27. Push transmission mounting guide towards transmission and lock into place.
28. Install transmission shroud (page 9-6).
29. Install top deck (page 16-23).
30. Remove track blocks.
31. Place transmission selector lever in park "P" and apply parking brake (TM 5-5420-226-10).



End of Task

**UNIVERSAL JOINT REPAIR (Sheet 1 of 2)**

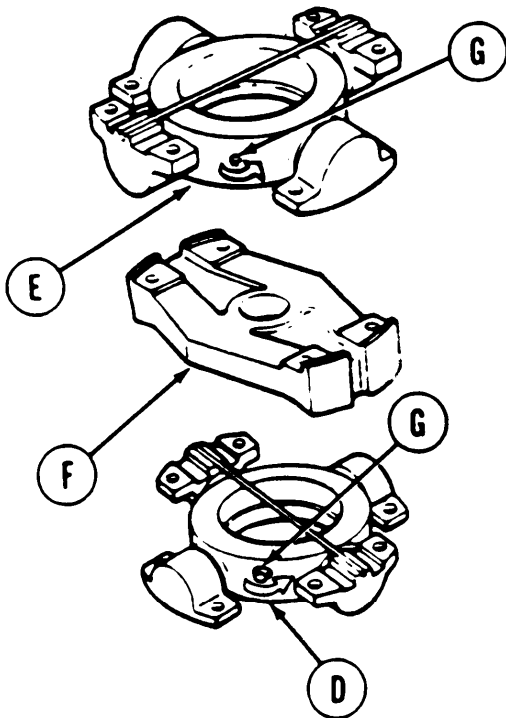
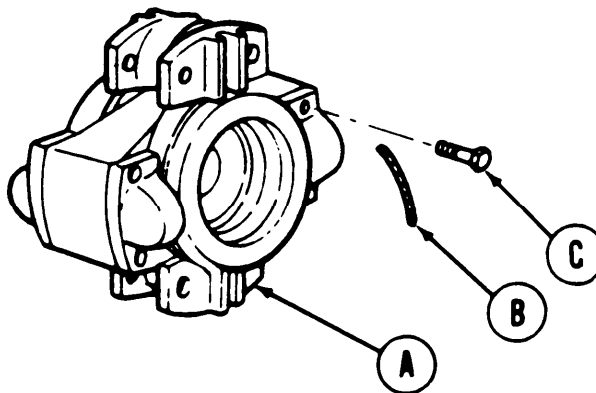
**TOOLS:** 13/16 in. socket with 1/2 in. drive  
18 in. hinged handle with 1/2 in. drive  
7/16 in. combination box and open end wrench  
Diagonal cutting pliers  
Slip joint pliers  
Hammer  
26 in. pinch bar  
Torque wrench with 1/2 in. drive (0-175 lb-ft) (0-237 N•m).  
vise

**SUPPLIES:** Locking wire (Item 61, Appendix D)  
Lubricating oil (Item 44, Appendix D)

**PRELIMINARY PROCEDURE:** Remove universal joint from vehicle (page 12-15)

**DISASSEMBLY:**

1. Place universal joint on end (A) in vise.
2. Using cutting pliers, cut four locking wires (B). Remove locking wires.
3. Using socket and hinge handle, loosen eight screws (C). Using hammer, gently tap hinge handle to loosen screws, if necessary.



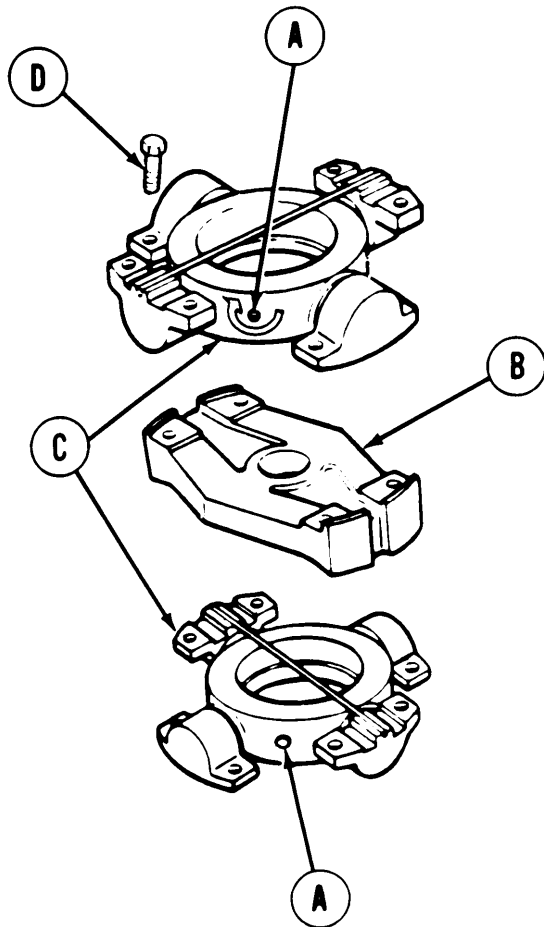
4. Place universal joint on side (D).
5. Using socket and hinge handle, remove four screws (C).
6. Using pinch bar, pry loose spider assembly (E) from coupling plate (F).
7. Lift spider assembly (E) from coupling plate (F).
8. Using wrench, remove two lubrication fittings (G) if damaged or broken.

Go on to Sheet 2



**UNIVERSAL JOINT REPAIR (Sheet 2 of 2)**

9. Turn universal joint over. Repeat steps 5 thru 8 to remove second spider assembly from coupling plate.
10. Replace coupling plate and each spider in its entirety if any component within an assembly is cracked or broken.

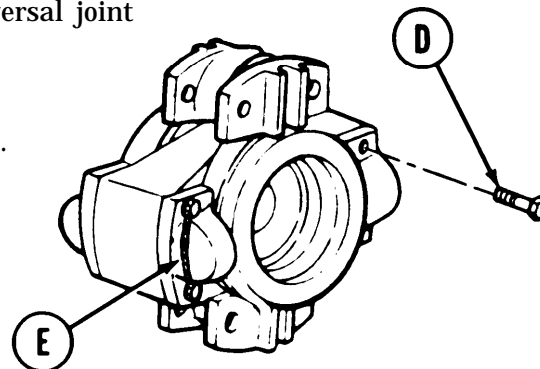


**ASSEMBLY:**

1. Using wrench, replace lubrication fitting (A), if removed.
2. Place coupling plate (B) and either spider assembly (C) in vise.
3. Place spider assembly (C) into position on coupling plate (B).
4. Using hammer, gently tap spider assembly (C) and coupling plate (B) into snug fit.
5. Using hinge handle, install four screws (D).
6. Using torque wrench, tighten screws (D) to 115-130 lb-ft. (155-175 N•m).
7. Turn universal joint over. Repeat steps 1 through 6.
8. Place universal joint on end.
9. Using slip joint pliers, attach locking wire (E) to each two adjacent screws (D) (page C-34).

10. Using lubricating oil, lubricate universal joint assembly.

11. Install universal joint (page 12-18.2).



End of Task

**FINAL DRIVE VENTING SYSTEM REPLACEMENT (Sheet 1 Of 10)**

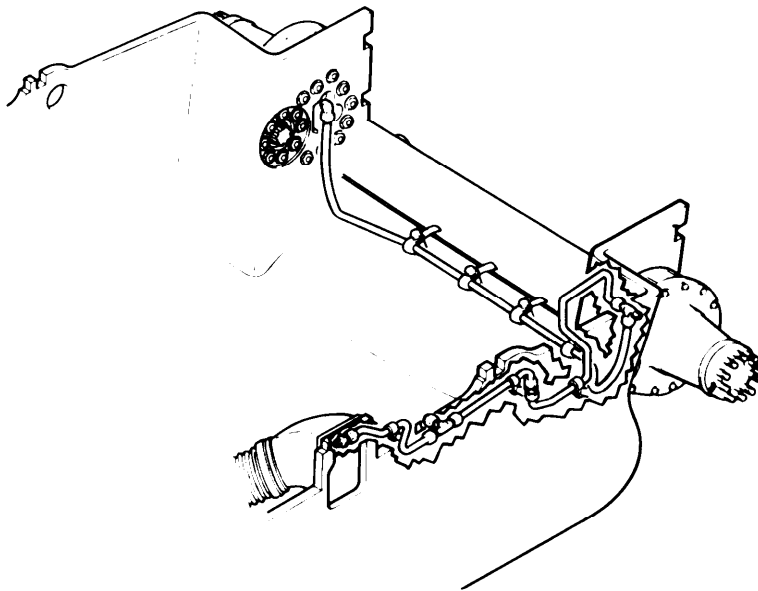
PROCEDURE INDEX

PROCEDURE	PAGE
Removal	12-25
Installation	12-29

TOOLS: 7/16 in. combination box and open end wrench  
 9/16 in. combination box and open end wrench  
 9/16 in. crowfoot wrench with 3/8 in. drive  
 5/8 in. combination box and open end wrench  
 11/16 in. combination box and open end wrench  
 11/16 in. crowfoot wrench with 3/8 in. drive  
 13/16 in. combination box and open end wrench  
 10 in. adjustable wrench  
 Torque wrench with 3/8 in. drive, 0200 lb-in. (0-23 N•m)

SUPPLIES: Lockwashers  
 Nuts  
 Sleeves

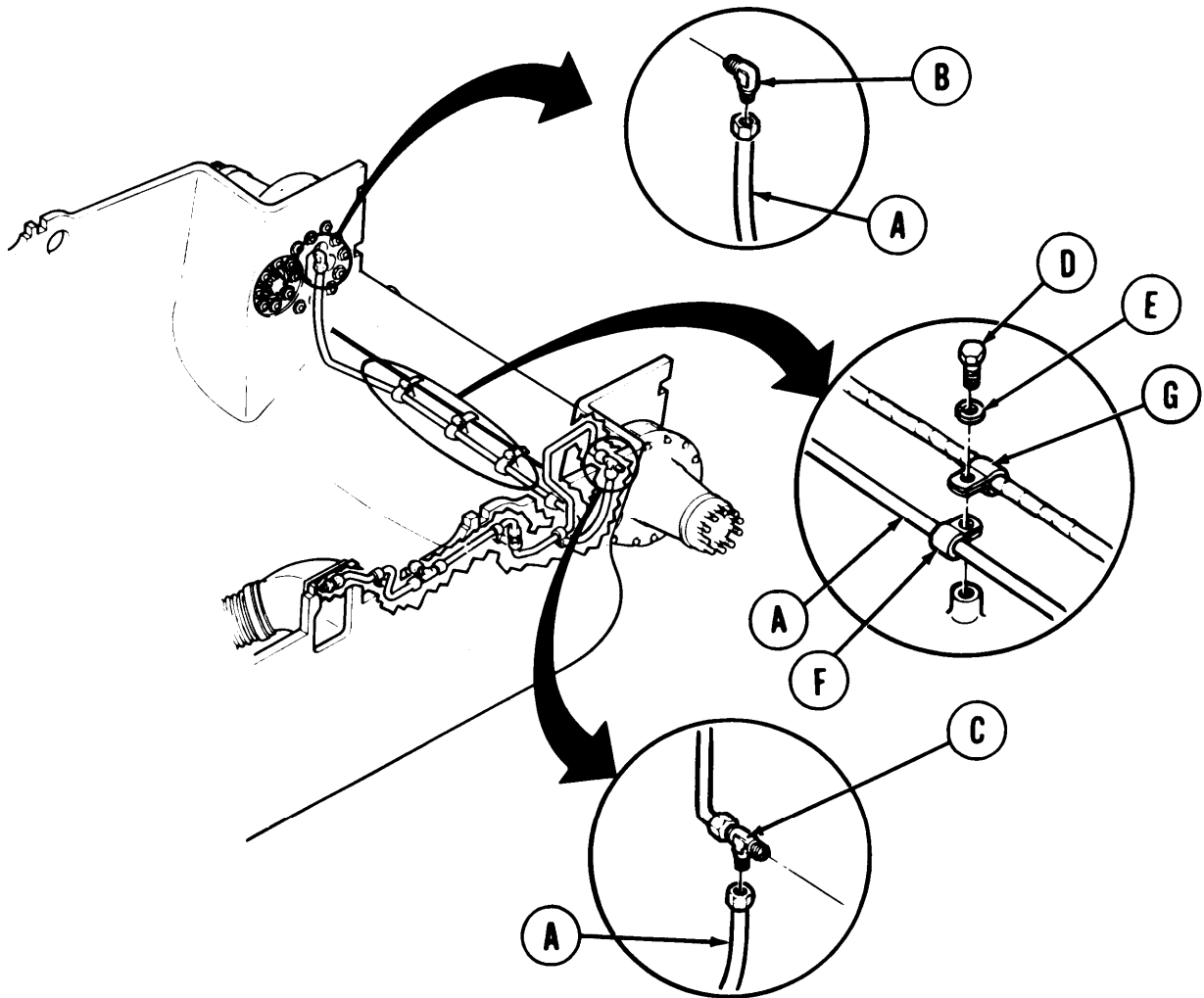
PRELIMINARY PROCEDURE: Remove powerplant (page 5-2)



Go on to Sheet 2

**FINAL DRIVE VENTING SYSTEM REPLACEMENT (Sheet 2 of 10)****REMOVAL:**

1. Using 9/16 inch wrench, disconnect tubing (A) from elbow (B) in right final drive.
2. Using 9/16 inch wrench, disconnect tubing (A) from tee (C) on left final drive.
3. Using 7/16 inch wrench, remove four screws (D) and lockwashers (E) securing clamps (F and G).

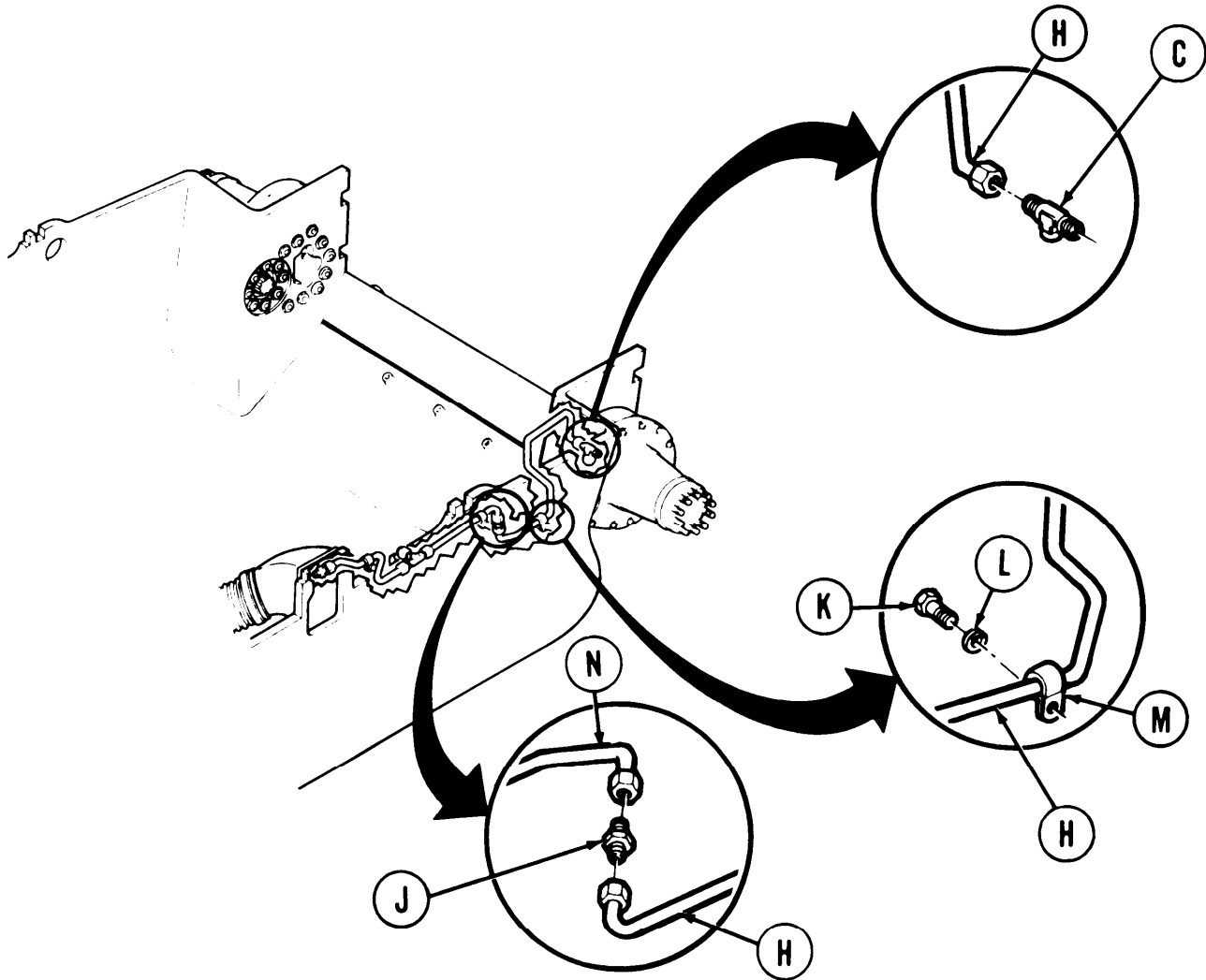


4. Remove tubing (A) and clamps (F) from vehicle.
5. Remove clamps (F) from tubing (A).
6. Using adjustable wrench, remove elbow (B) from right final drive.

Go on to Sheet 3

**FINAL DRIVE VENTING SYSTEM REPLACEMENT (Sheet 3 of 10)**

7. Using 9/16 inch wrench, disconnect tube assembly (H) from tee (C).
8. Using 13/16 inch wrench to hold adapter (J), use 9/16 inch wrench and disconnect tube assembly (H) from adapter (J).
9. Using 7/16 inch wrench, remove two screws (K) and lockwashers (L) securing clamps (M). Discard lockwashers (L).

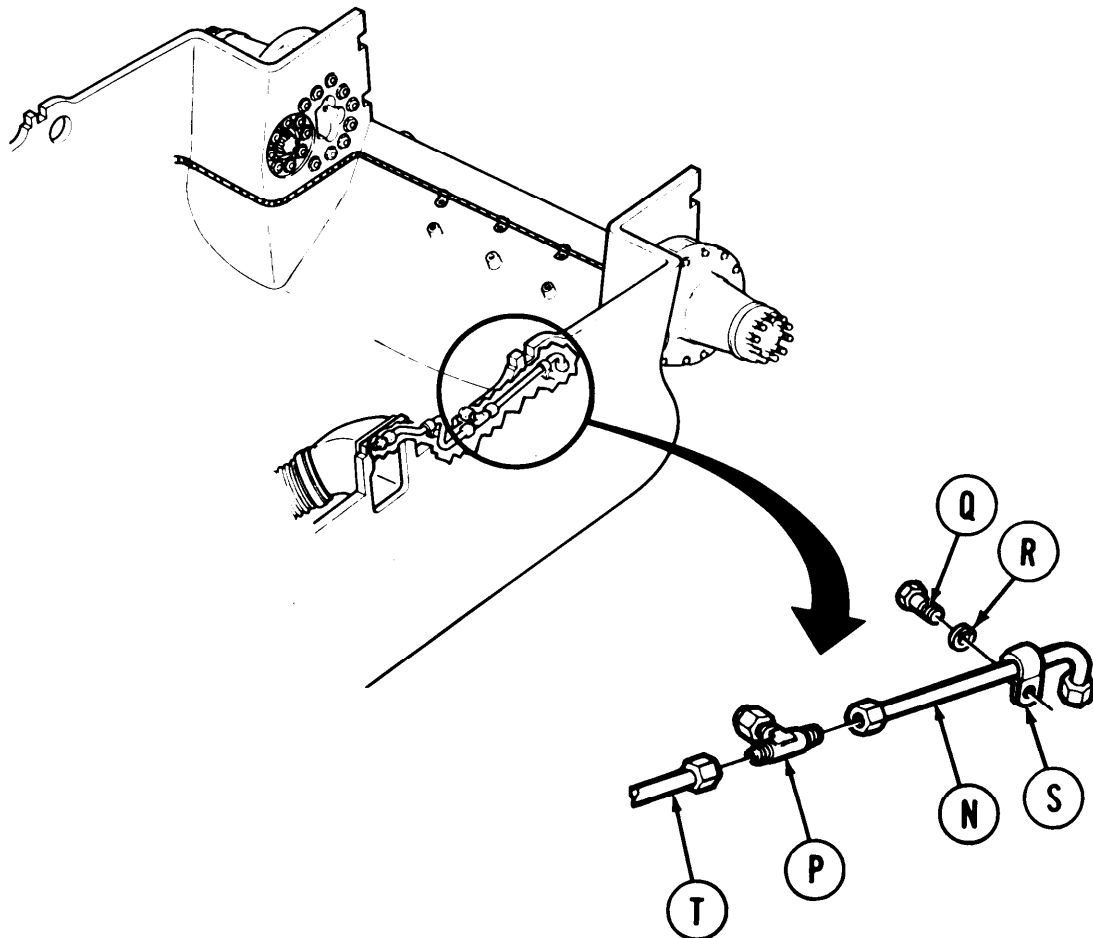


10. Remove tube assembly (H) and clamps (M) from vehicle.
11. Remove clamps (M) from tube assembly (H).
12. Using adjustable wrench, remove tee (C) from left final drive.
13. Using 11/16 inch wrench to hold tube assembly (N), use 13/16 inch wrench and remove adapter (J).

Go on to Sheet 4

**FINAL DRIVE VENTING SYSTEM REPLACEMENT (Sheet 4 of 10)**

14. Using adjustable wrench to hold tee (P), use 11/16 inch wrench and disconnect tube assembly (N) from tee (P).
15. Using 7/16 inch wrench, remove screw (Q) and lockwasher (R) securing clamp (S). Discard lockwasher (R).
16. Remove tube assembly (N) and clamp (S) from vehicle.
17. Remove clamp (S) from tube assembly (N).

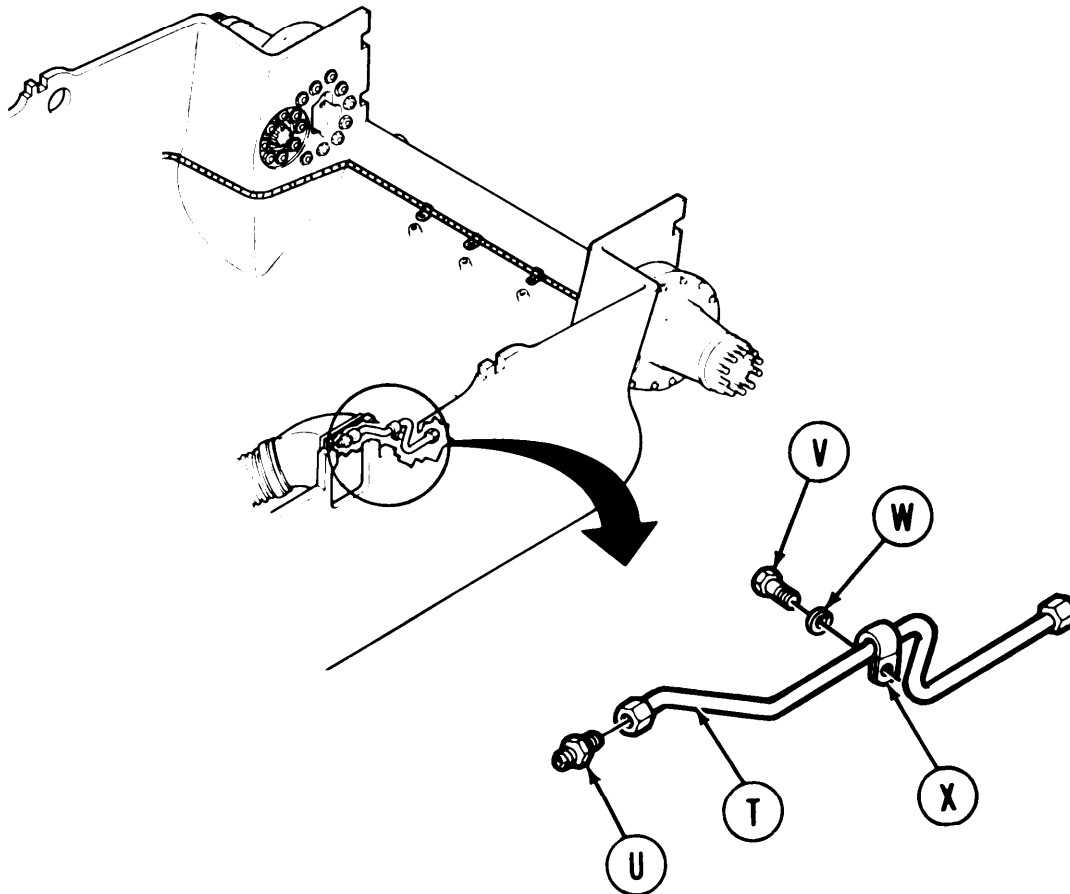


18. Using adjustable wrench to hold tee (P), use 11/16 inch wrench and disconnect tube assembly (T) from tee (P).
19. Remove tee (P).

Go on to sheet 5

**FINAL DRIVE VENTING SYSTEM REPLACEMENT (Sheet 5 of 10)**

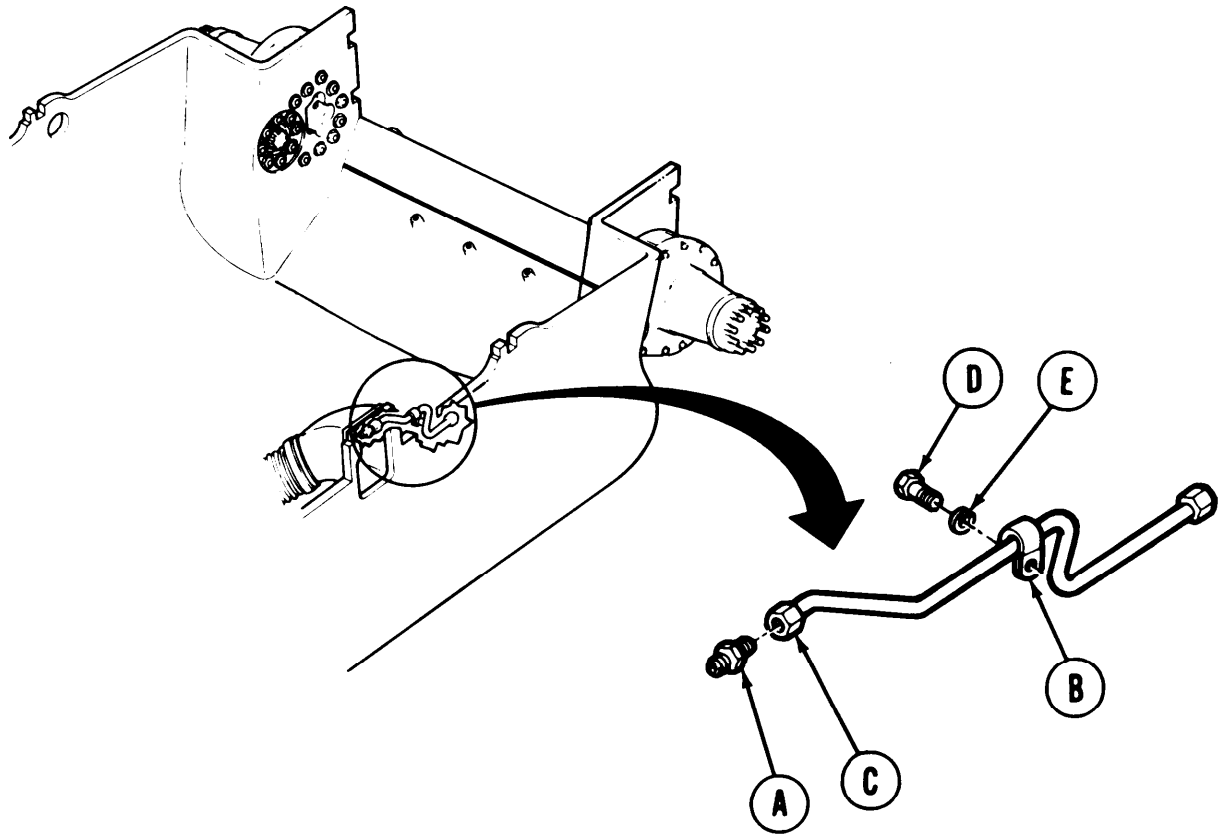
20. Using 5/8 inch wrench to hold adapter (U), use 11/16 inch wrench and disconnect tube assembly (T) from adapter (U).
21. Using 7/16 inch wrench, remove screw (V) and lockwasher (W) securing clamp (X). Discard lockwasher (W).
22. Remove tube assembly (T) and clamp (X) from vehicle.



23. Remove clamp (X) from tube assembly (T).
24. Using 5/8 inch wrench ,remove adapter (U) from elbow of left air cleaner.

Go on to Sheet 6

## FINAL DRIVE VENTING SYSTEM REPLACEMENT (Sheet 6 of 10)



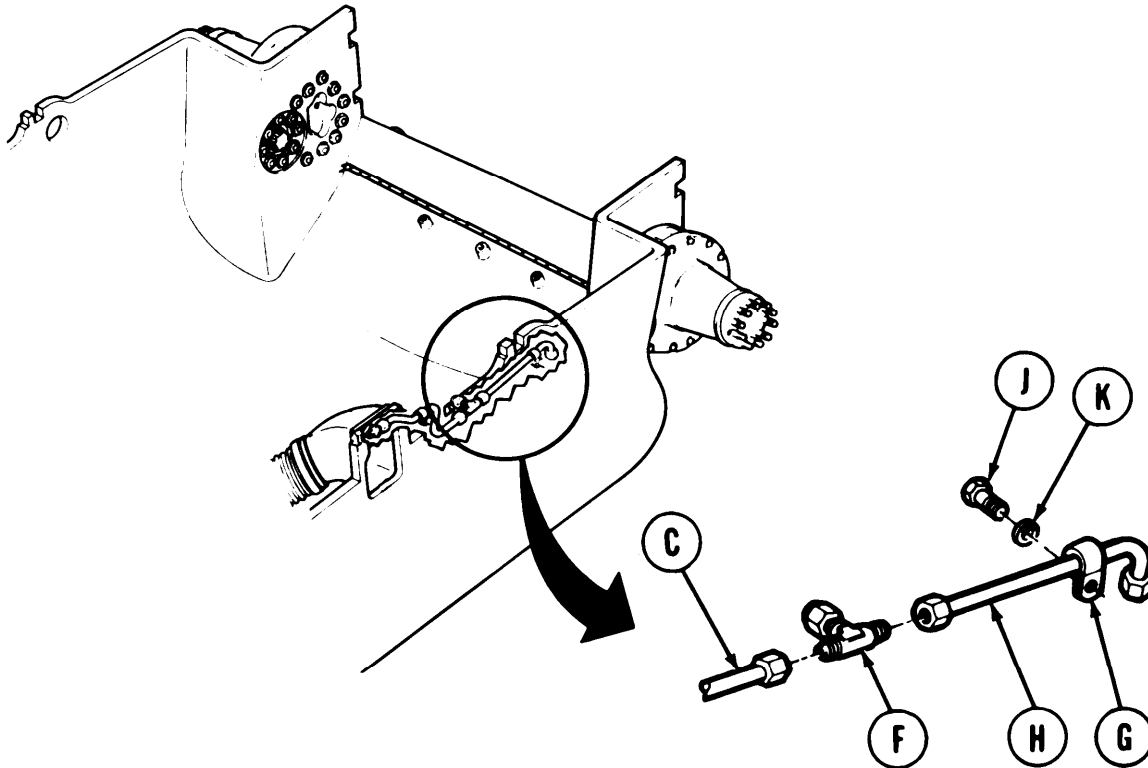
## INSTALLATION:

1. Using 5/8 inch wrench, install adapter (A) into elbow of left air cleaner.
2. Install clamp (B) onto tube assembly (C) and position tube assembly (C) onto hull.
3. Using fingers, connect tube assembly (C) to adapter (A).
4. Using torque wrench with 11/16 inch crowfoot and 5/8 inch wrench to hold adapter (A), tighten tube assembly (C) nut to 75-85 lb-in. (8.4-9.5 N•m).
5. Using 7/16 inch wrench, install and tighten screw (D) and new lockwasher (E) securing clamp (B) to hull.

Go on to Sheet 7

**FINAL DRIVE VENTING SYSTEM REPLACEMENT (Sheet 7 of 10)**

6. Using fingers, connect tube assembly (C) to tee(F).
7. Install clamp (G) onto tube assembly (H) and position tube assembly (H) onto hull.
8. Using fingers, connect tube assembly (H) to tee (F).



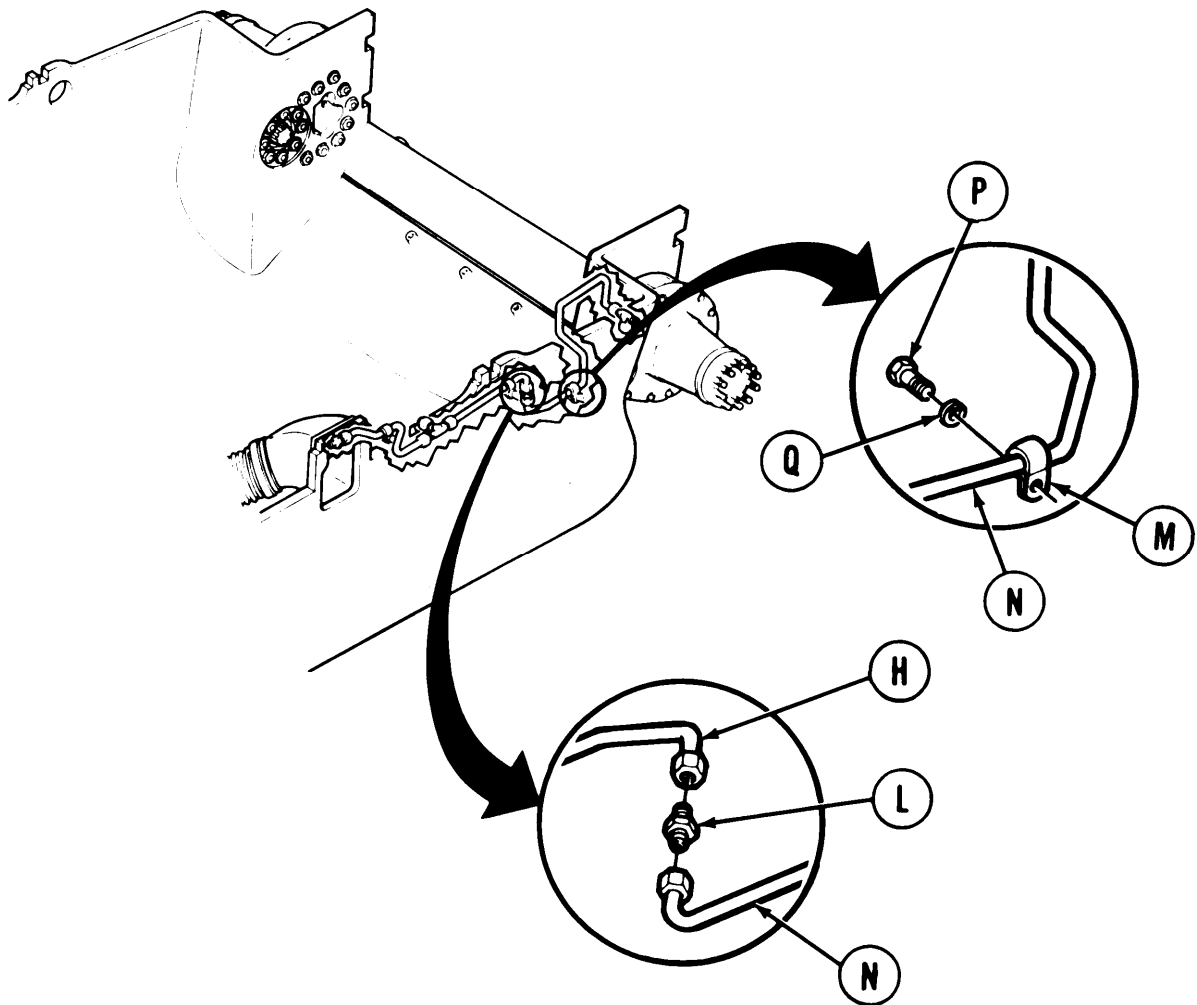
9. Using adjustable wrench to hold tee (F) and using torque wrench with 11/16 inch crowfoot, tighten tube assembly (C and H) nuts to 75-85 lb-in. (8.4-9.5 N•m).
10. Using 7/16 inch wrench, install and tighten screw (J) and new lockwasher (K) securing clamp (G) to hull.

Go on to Sheet 8



**FINAL DRIVE VENTING SYSTEM REPLACEMENT (Sheet 8 of 10)**

11. Using fingers, connect adapter (L) to tube assembly (H).
12. Install two clamps (M) on tube assembly (N) and position to hull.
13. Using fingers, connect tube assembly (N) to adapter (L).
14. Using 13/16 inch wrench to hold adapter (L), and using torque wrench with 11/16 inch crowfoot, tighten tube assembly (H) nut to 75-85 lb-in. (8.49.5 N•m). Using torque wrench with 9/16 inch crowfoot, tighten tube assembly (N) nut to 75-85 lb-in. (8.49.5 N•m).

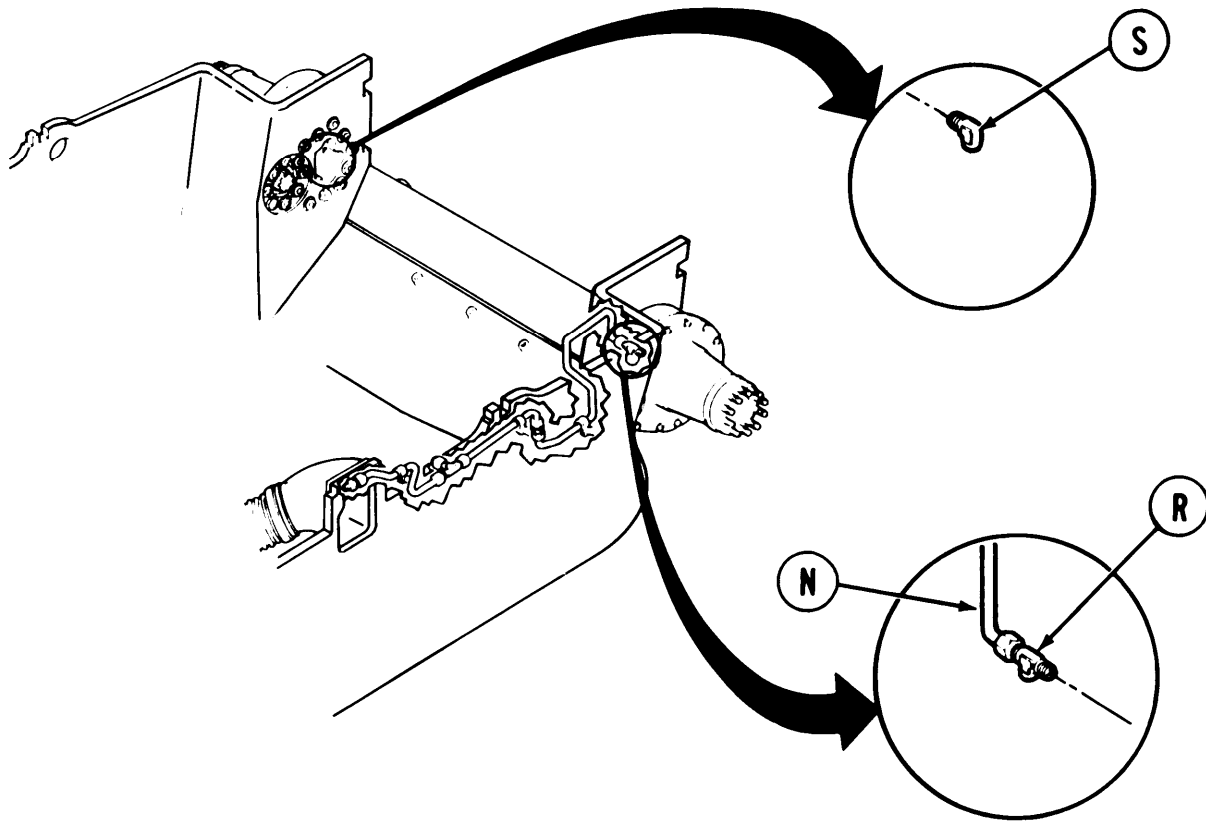


15. Using 7/16 inch wrench, install and tighten screws (P) and new lockwashers (Q) securing clamps (M) to hull.

Go on to Sheet 9

**FINAL DRIVE VENTING SYSTEM REPLACEMENT (Sheet 9 of 10)**

16. Using adjustable wrench, install tee (R) onto left final drive.
17. Using fingers, connect tube assembly (N) to tee (R).
18. Using torque wrench and 9/16 inch crowfoot, tighten tube assembly (N) nut to 75-85 lb-in. (8.4-9.5 N•m).



19. Using adjustable wrench, install elbow (S) into right final drive.

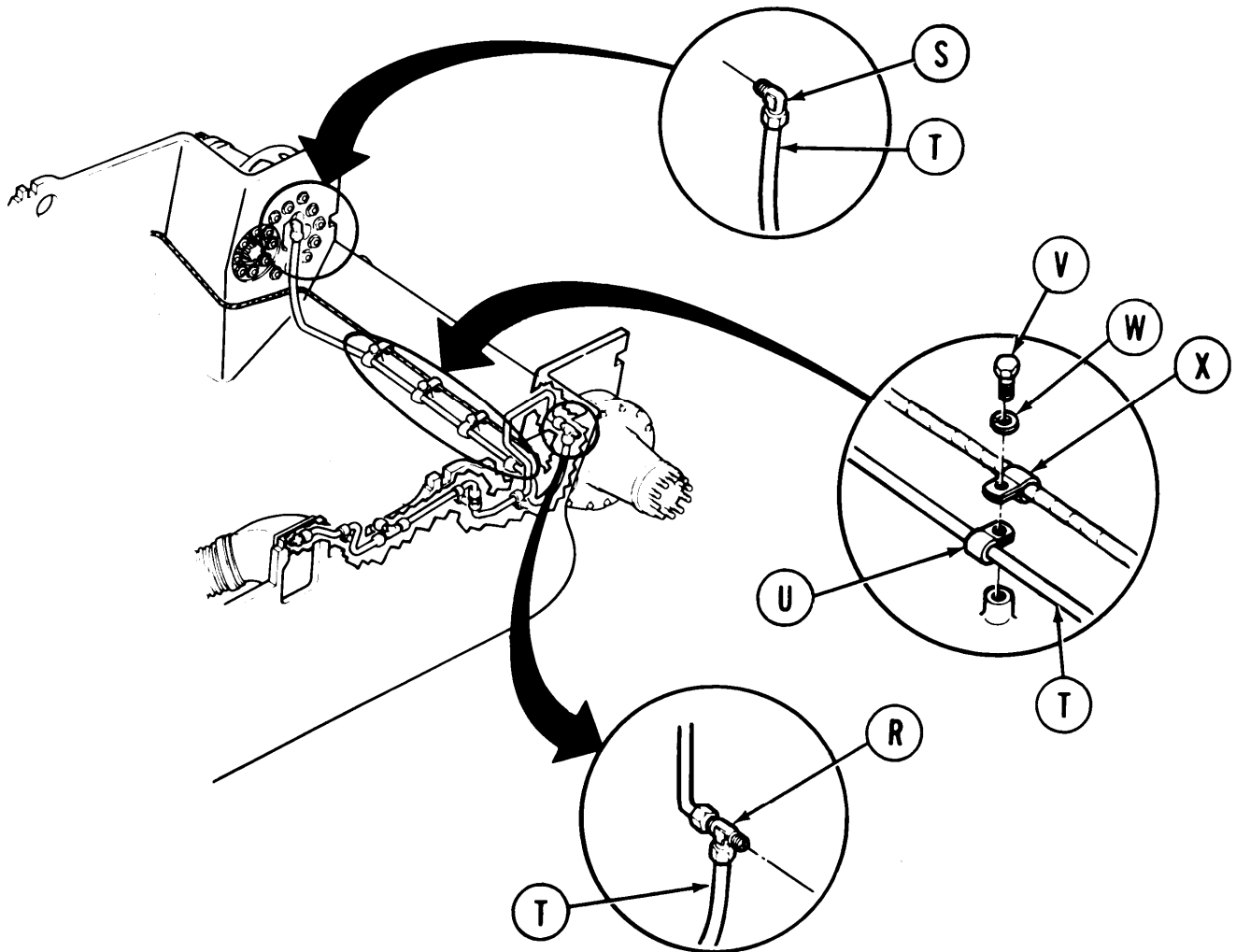
Go on to Sheet 10

## FINAL DRIVE VENTING SYSTEM REPLACEMENT (Sheet 10 of 10)

## NOTE

If new tube (T) is being installed, obtain (from supply) two tube nuts (MS51823) and two sleeves (MS51825) and install on new tube (T)

20. Using fingers, connect tube assembly (T) to elbow (S) and tee (R).
21. Using torque wrench and 9/16 inch crowfoot, tighten tube assembly (T) nuts to elbow (S) and tee (R) to 75-85 lb-in. (8.49.5 N•m).



22. Install four clamps (U) on tube assembly (T).
23. Using 7/16 inch wrench, install and tighten screws (V) and new lockwashers (W) securing clamps (U and X).
24. Install powerplant (page 5-14).

End of Task



**CHAPTER 13  
BRAKE SYSTEM MAINTENANCE  
INDEX**

Procedure	Page
Brake Master Cylinder Replacement . . . . .	13-2
Brake Foot Pedal Lever Mounting Bracket Replacement . . . . .	13-11
Brake Pedal Adjustment . . . . .	13-17
Master Brake Cylinder Mounting Bracket, Tie Rod, Push Rod, Clevis, and Boot Replacement . . . . .	13-19
Master Cylinder and Pedal Lever Mount Assembly Replacement . . . . .	13-28
Brake Switch (Stoptlight) Replacement . . . . .	13-31
Brake Pressure Gage, Tube Assembly, Reducer and Gasket Replacement . . . . .	13-35
Master Brake Cylinder-To-Bulkhead Tube Assembly Replacement . . . . .	13-42
Brake Quick-Disconnect and Hose Assembly Replacement . . . . .	13-47
Brake Left Hand Slave Cylinder and Tube Assembly Replacement . . . . .	13-54
Brake Right Hand Slave Cylinder and Tube Assembly Replacement . . . . .	13-58
Brake Control Housing Repair . . . . .	13-64
Brakes Adjustment . . . . .	13-78
Hydraulic Brakes System Bleeding. . . . .	13-86
Parking Brake Control Assembly and Linkage Replacement . . . . .	13-90
Parking Brake Control Assembly (Engine Compartment) Replacement . . . . .	13-107
Bellcrank Replacement . . . . .	13-122
Parking Brake Cable Adjustment . . . . .	13-126
Parking Brake Pawl and Bellcrank Adjustment . . . . .	13-130

**BRAKE MASTERCYLINDER REPLACEMENT (1 of 9)**

PROCEDURE INDEX	
PROCEDURE	PAGE
Removal	13-2
Cleaning and Inspection	13-6
Installation	13-7

TOOLS: Ratchet with 1/2 in. drive  
 1 in. socket (deep style) with 1/2 in drive  
 1-1/8 in. socket with 1/2 in. drive  
 9/16 in. combination box and open end wrench  
 11/16 in. combination box and open end wrench  
 3/4 in. combination box and open end wrench  
 13/16 in. combination box and open end wrench  
 10 in. pipe wrench  
 Screwdriver, flat-tip  
 Funnel, 1 qt cap. with flexible spout

SUPPLIES: Container, 1 qt. cap.  
 Rags (Item 65, Appendix D)  
 Dry cleaning solvent (Item 55, Appendix D)  
 Adhesive (Item 4, Appendix D)  
 Brake fluid (Item 40, Appendix D)  
 Gasket (AN 901-5C) (2 required)  
 1/2 in. masking tape (Item 58, Appendix D)

REFERENCE: TM 5-5420-226-10

PRELIMINARY PROCEDURES: Block tracks (TM 5-5420-226-10)  
 Place MASTER BATTERY switch in OFF position  
 (TM 5-5420-226-10)  
 Place transmission shift lever in neutral (N)  
 (TM 5-5420-226-10)

## BRAKE MASTER CYLINDER REPLACEMENT (Sheet 2 of 9)

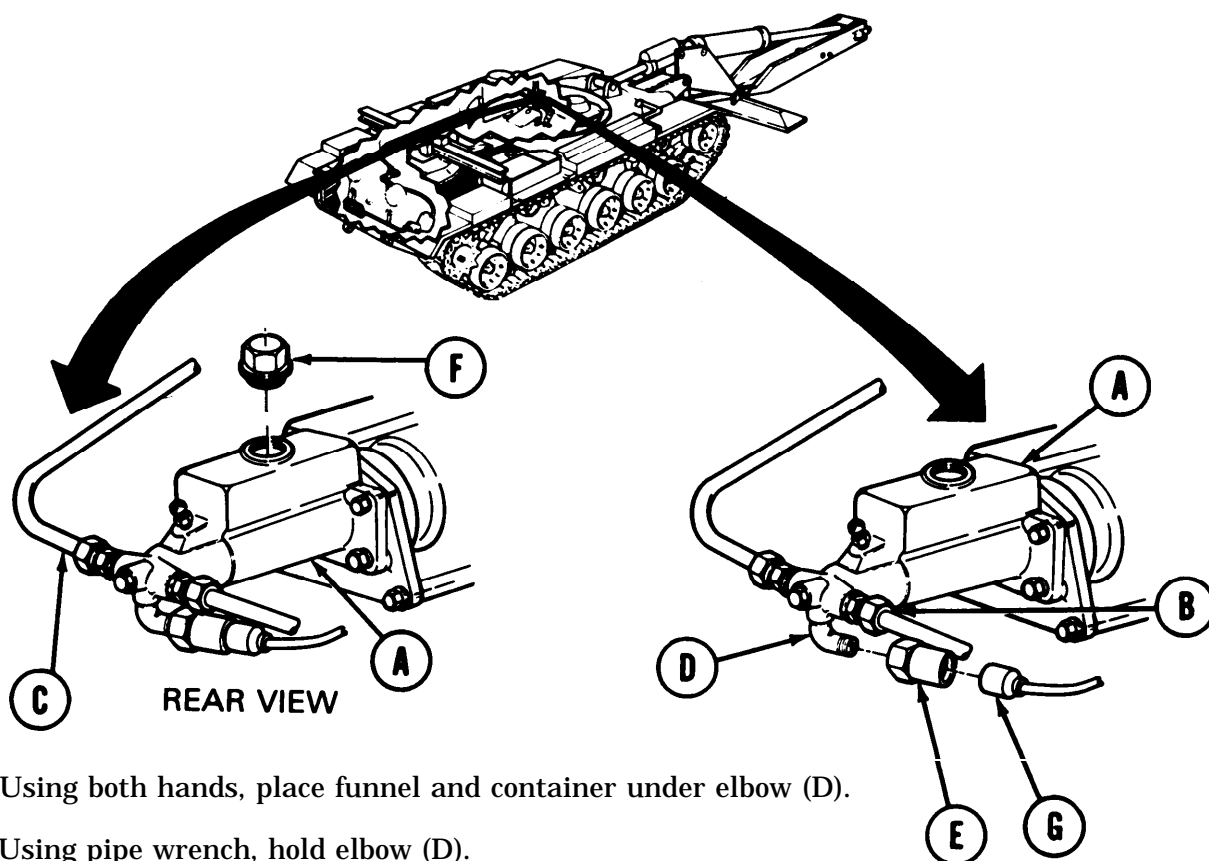
## REMOVAL:

- Using dry cleaning solvent and rags, clean master cylinder (A), both tube assemblies (B) and (C), elbow (D), and stoplight switch (E).

## NOTE

Care must be taken to prevent dirt from entering brake system.

- using 1-1/8 inch socket, remove filler cap (F).
- using fingers, disconnect electrical connector (G) from stoplight switch (E).



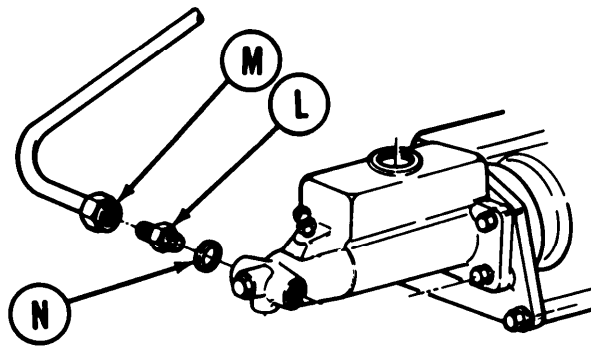
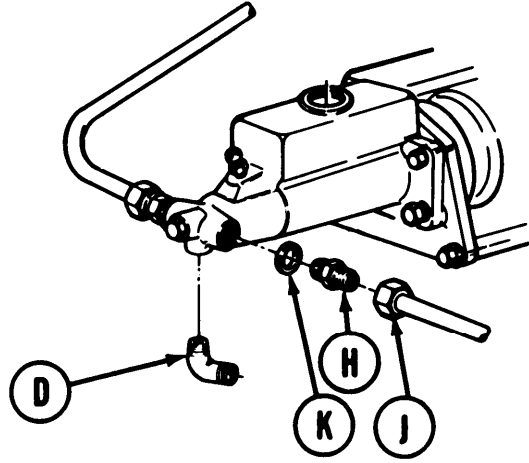
- Using both hands, place funnel and container under elbow (D).
- Using pipe wrench, hold elbow (D).
- Using 1 inch deep style socket, remove stoplight switch (E).
- Drain all brake fluid from master cylinder into container through elbow (D).

Go on to Sheet 3

TA169133

**BRAKE MASTER CYLINDER REPLACEMENT (Sheet 3 of 9)**

8. Using pipe wrench, remove elbow (D).
9. Using 13/16 inch wrench, hold reducer (H).
10. Using 11/16 inch wrench, remove line connector nut (J).
11. Using 13/16 inch wrench, remove reducer (H) and gasket (K).
12. Throw gasket (K) away.
13. Using 3/4 inch wrench, hold reducer (L).
14. Using 9/16 inch wrench, remove line connector nut (M).
15. Using 3/4 inch wrench, remove reducer (L) and gasket (N).
16. Throw gasket (N) away.
17. Using tape or rags, cover exposed brake tube ends to keep dirt out of system.



REAR VIEW

Go on to Sheet 4

TA169134

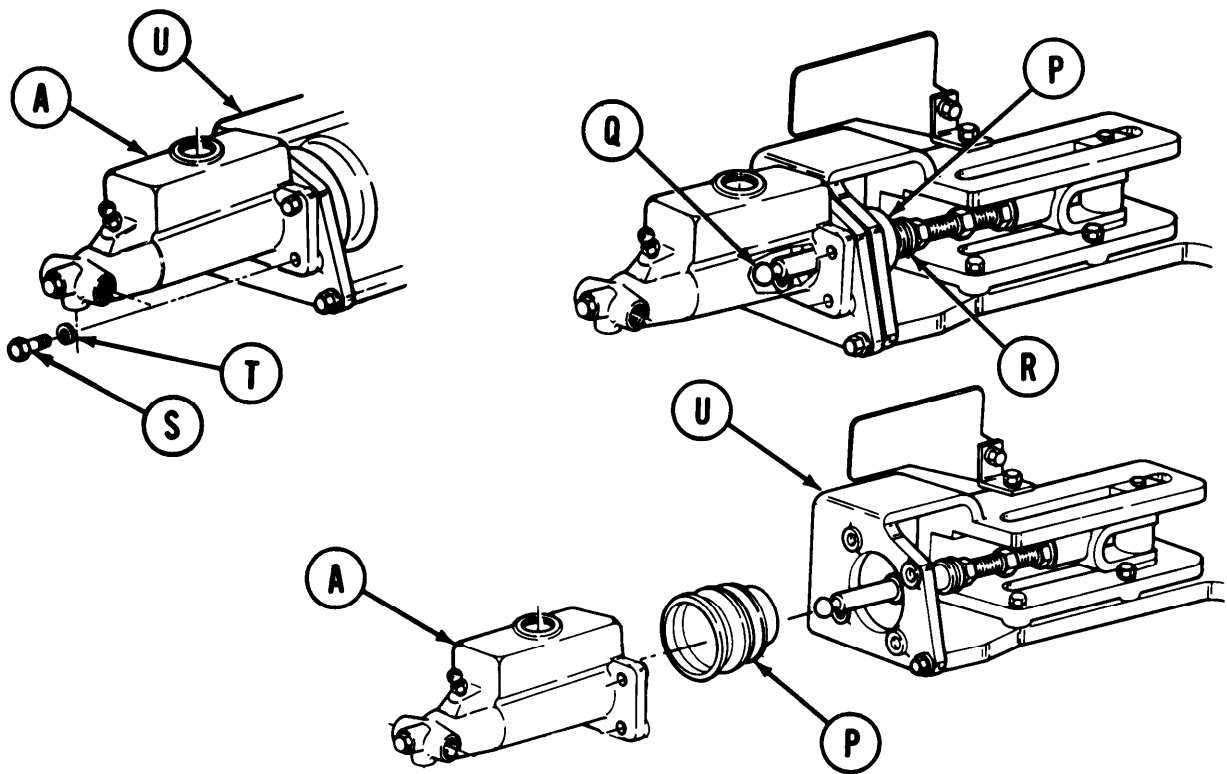


**BRAKE MASTER CYLINDER REPLACEMENT (Sheet 4 of 9)**

18. Using hands and flat-tip screwdriver, pull boot (P) free of push rod (Q) at groove (R).
19. Using 9/16 inch wrench, remove four screws (S) and lockwashers (T) holding master cylinder (A) to bracket (U).

**CAUTION**

When removing master cylinder (A) from bracket (U), caution must be taken to prevent damage to push rod (Q).



20. Using hands, remove master cylinder (A) from bracket (U).
21. Using hands, remove boot (P) from lip at rear of master cylinder (A). Throw boot (P) away.

Go on to Sheet 5

TA169135

**BRAKE MASTER CYLINDER REPLACEMENT (Sheet 5 of 9)**

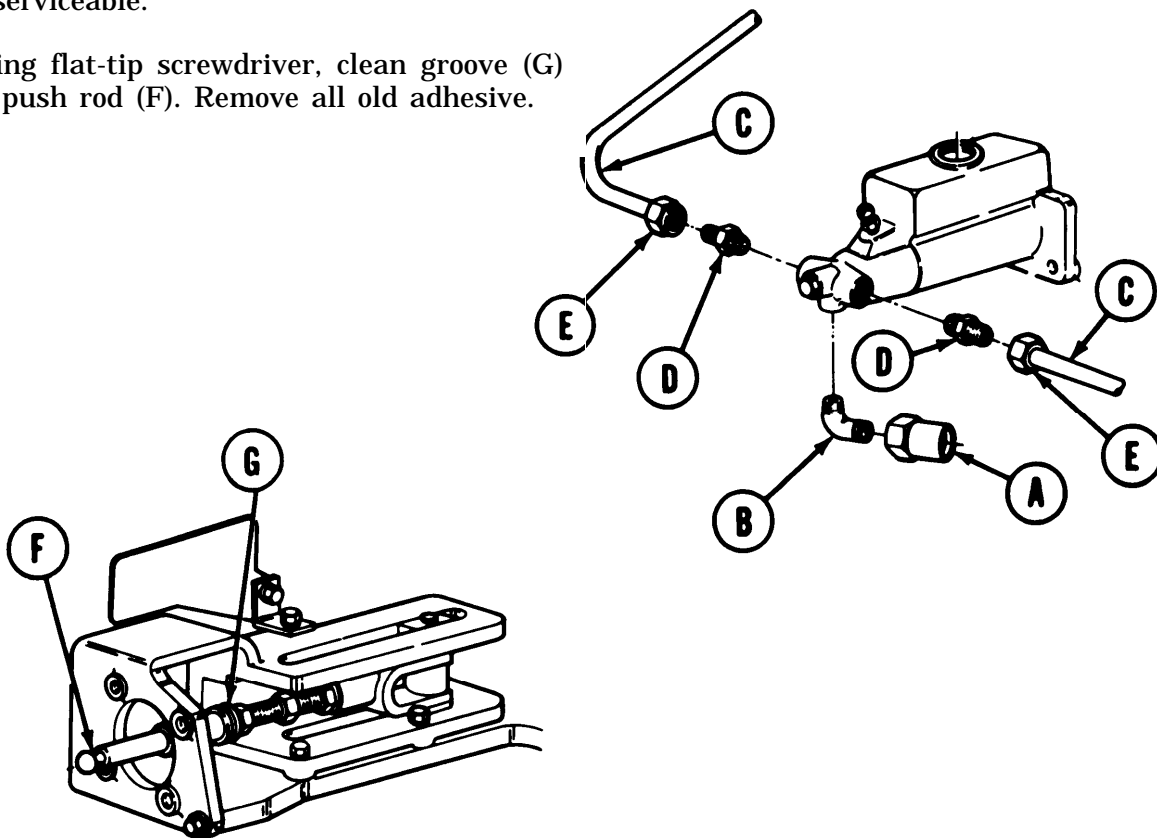
**CLEANING AND INSPECTION:**

1. Inspect stoplight switch (A). Replace if unserviceable.

**WARNING**

Cleaning agent specified is flammable. Use only in well ventilated areas. Keep away from flames, sparks, or heat. Do not smoke while using. Prevent contact with eyes, mouth, and/or skin. Wear rubber gloves when performing cleaning procedures.

2. Using clean rags and dry cleaning solvent, clean all parts which have been removed.
3. Inspect elbow (B), brake tube assembly (C), tube reducers (D), line connector nuts (E), and push rod (F) for damage, bad threads, cracks, or excessive wear. Replace if unserviceable.
4. Using flat-tip screwdriver, clean groove (G) on push rod (F). Remove all old adhesive.



Go on to Sheet 6

TA169136

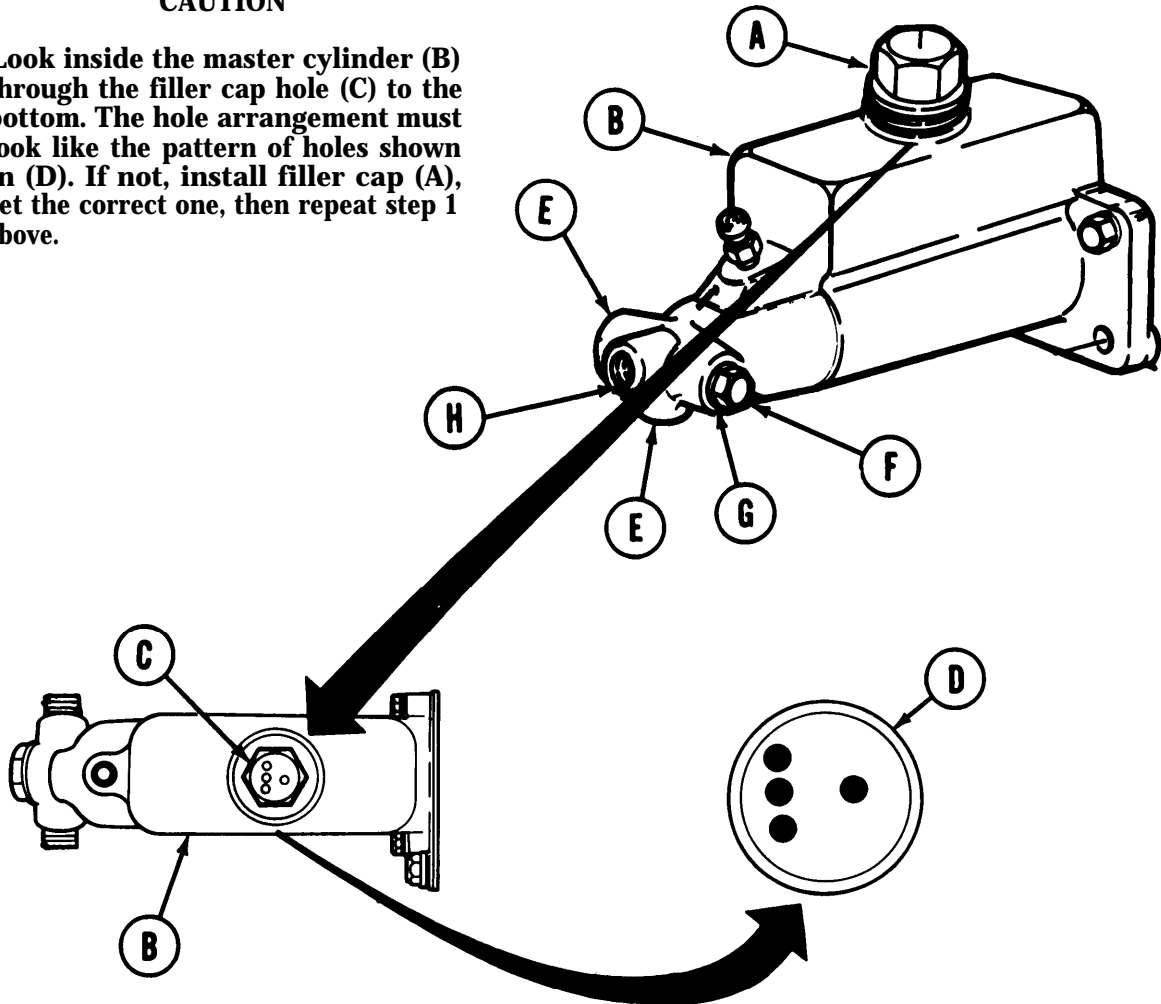
**BRAKE MASTER CYLINDER REPLACEMENT (Sheet 6 of 9)**

INSTALLATION :

1. Using 1-1/8 inch socket, remove filler cap (A) from master cylinder (B).

**CAUTION**

Look inside the master cylinder (B) through the filler cap hole (C) to the bottom. The hole arrangement must look like the pattern of holes shown in (D). If not, install filler cap (A), get the correct one, then repeat step 1 above.



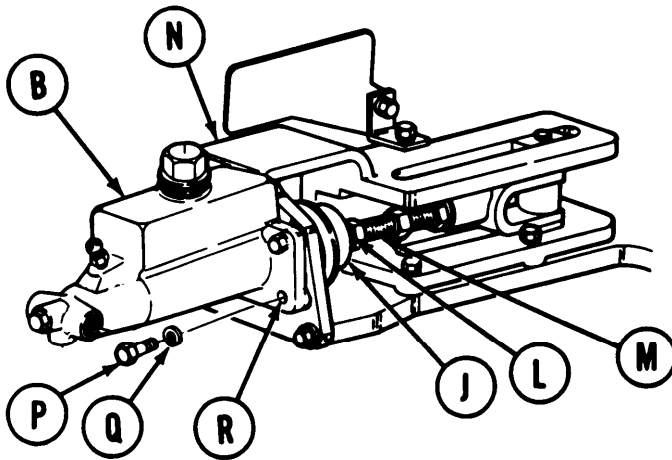
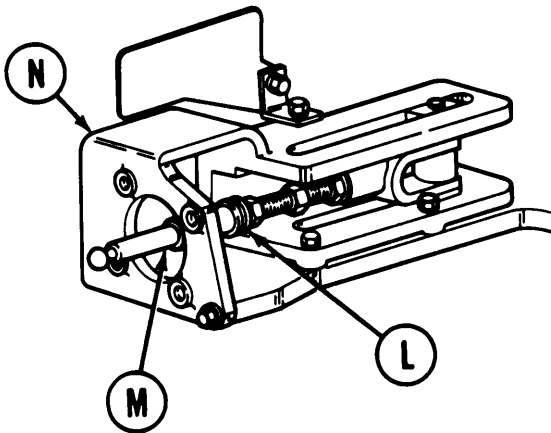
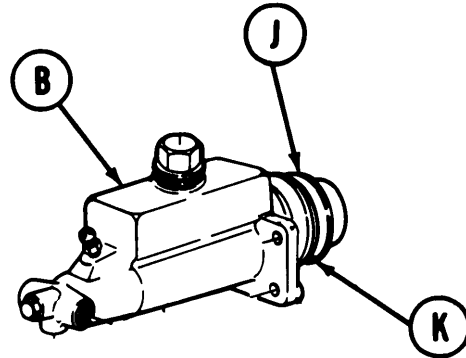
2. Get master cylinder ready for installation by removing all packing material, pipe plugs, or plastic caps from ports (E) if installed. Clean as needed.
3. Using fingers, install filler cap (A) to master cylinder (B) finger tight.
4. Using 3/4 inch wrench, remove drain plug (F) and gasket (G) and relocate and install at forward port (H).

Go on to Sheet 7

TA169137

**BRAKE MASTER CYLINDER REPLACEMENT (Sheet 7 of 9)**

5. Using hands, install boot (J) on lip at rear of master cylinder (B). The hole (K) in the boot must be in the bottom position to permit drainage.
6. Using fingers, apply adhesive to groove (L) on push rod (M).
7. Using hands, position master cylinder (B) to bracket (N) with holes alined.
8. Using 9/16 inch wrench, install four screws (P) with lockwashers (Q) through master cylinder holes (R) to bracket (N).
9. Using hands, install end of boot (J) into groove (L) on push rod (M).

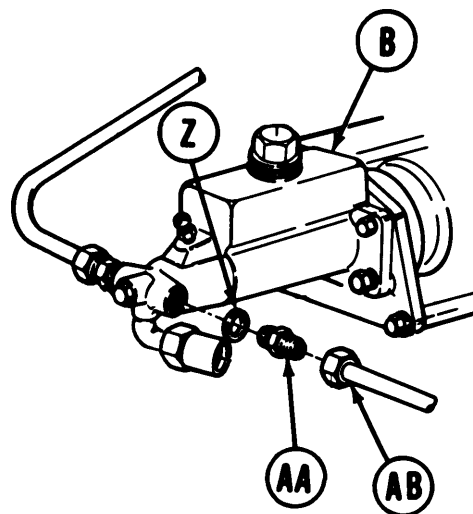
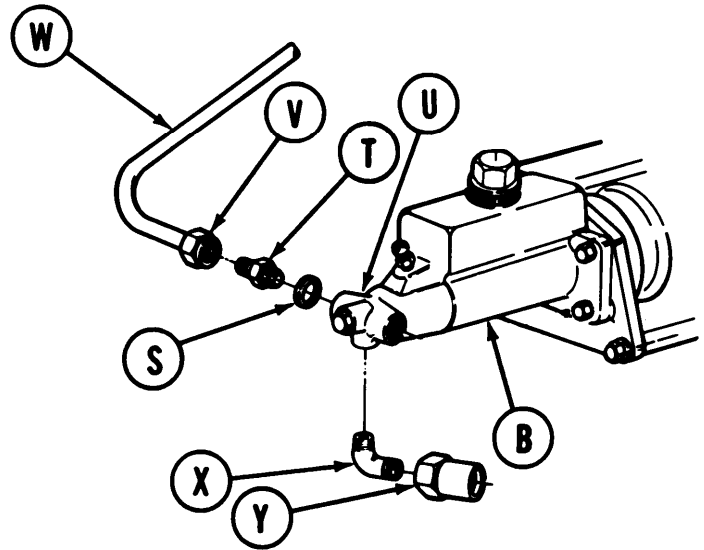


Go on to Sheet 8

TA169138

**BRAKE MASTER CYLINDER REPLACEMENT (Sheet 8 of 9)**

10. Using fingers, install gasket (S) to tube reducer (T) and screw tube reducer (T) into rear port (U) of master cylinder (B).
11. Using 3/4 inch wrench, tighten tube reducer (T).
12. Remove tape or rags from brake tube ends.
13. Using 9/16 inch wrench, install line connector nut (V) and tube assembly (W) to tube reducer (T).
14. Using pipe wrench, install elbow (X) to master cylinder (B). Position elbow as shown.
15. Using pipe wrench on elbow (X) and 1 inch deep style socket on stoplight switch (Y), install stoplight switch (Y).
16. Using fingers, install gasket (Z) to tube reducer (AA).
17. Using 13/16 inch wrench, install tube reducer (AA) to master cylinder (B).
18. Using 11/16 inch wrench, install line connector nut (AB) to tube reducer (AA).

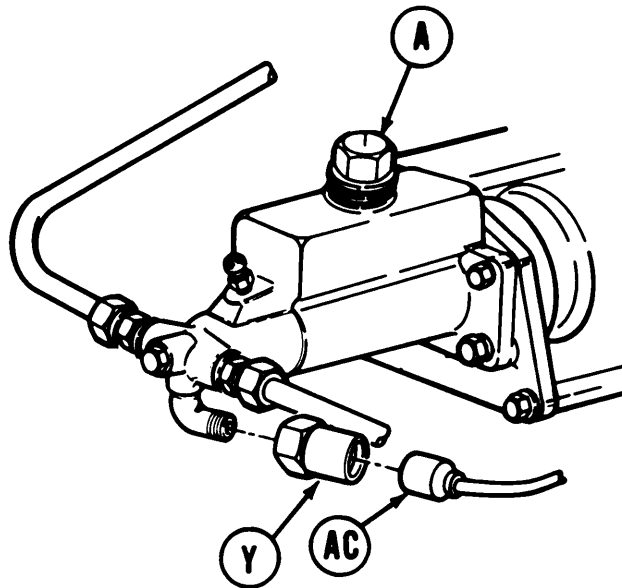


Go on to Sheet 9

TA169139

**BRAKE MASTER CYLINDER REPLACEMENT (Sheet 9 of 9)**

19. Fill master cylinder (TM 5-5420-226-10).
20. Using 1-1/8 inch socket, tighten filler cap (A).
21. Using fingers, connect electrical connector (AC) to stoplight switch (Y).
22. Perform brake bleeding procedure (page 13-86).
23. Place shift lever at P (pink) and remove blocks from tracks (TM 5-5420-226-10).



End of Task

TA169140

**BRAKE FOOT PEDAL LEVER MOUNTING BRACKET REPLACEMENT (Sheet 1 of 6)**

PROCEDURE INDEX

PROCEDURE	PAGE
Removal	13-11
Cleaning and Inspection	13-13
Installation	13-14

**TOOLS: 8 in. alining punch**

Slip joint pliers, straight nose

Punch, 1/8 in. pt.

Hammer

3/8 in. combination box and open end wrench

9/16 in. combination box and open end wrench

Vise jaw caps

Vise

**SUPPLIES: Rags (Item 65, Appendix D)**

Dry cleaning solvent (Item 55, Appendix D)

**REFERENCE: TM 5-5420-226-10**

**PRELIMINARY PROCEDURES:**

Block tracks to prevent vehicle movement  
(TM 5-5420-226-10)

Place shift lever in N (neutral) position  
(TM 5-5420-226-10)

**REMOVAL:**

**NOTE**

**Clean all parts and general area before removal  
(Appendix C).**

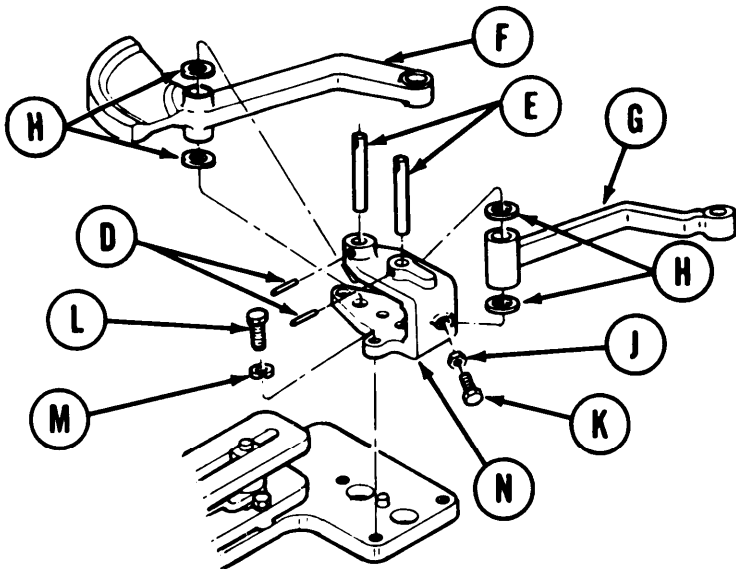
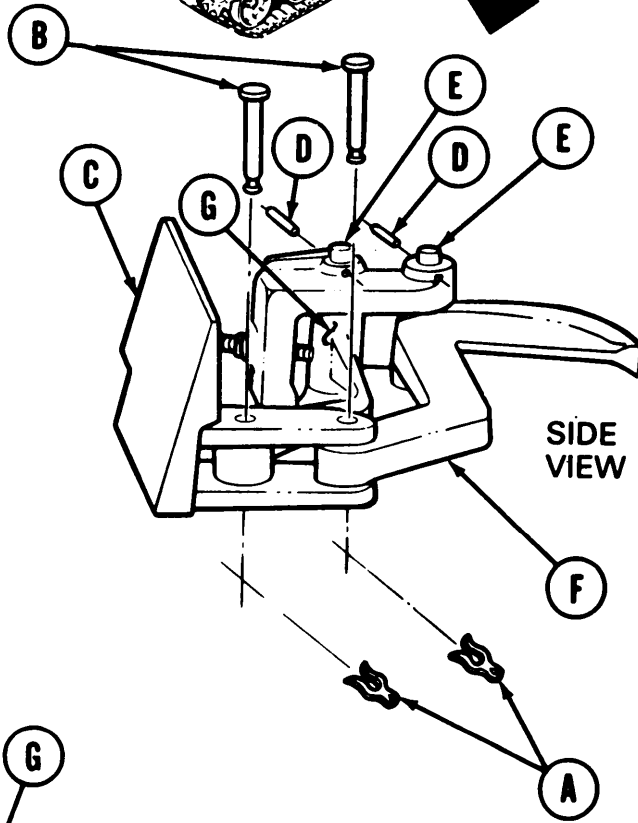
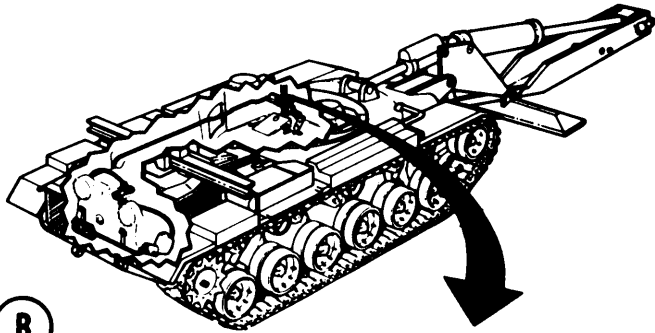
**BRAKE FOOT PEDAL LEVER MOUNTING BRACKET REPLACEMENT (Sheet 2 of 6)**

- Using pliers, remove two lockpins (A) and two pins (B). Remove brake pedal (c).

**NOTE**

**If spring pins are damaged during removal, replace.**

- Using hammer and punch, remove two spring pins (D).
- Using pliers, remove two pins (E).
- Remove levers (F) and (G) and four washers (H).
- Using 9/16 inch wrench, loosen jamnut (J). Use 3/8 inch wrench to remove setscrew (K). Remove jamnut (J).
- Using 9/16 inch wrench, remove three screws (L) and three lockwashers (M).
- Remove pedal bracket (N) by lifting up.



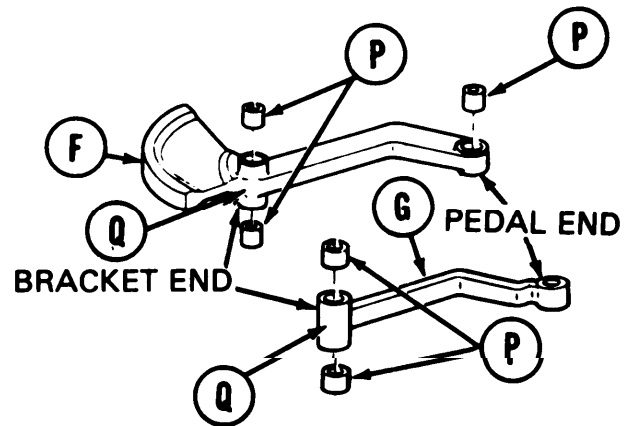
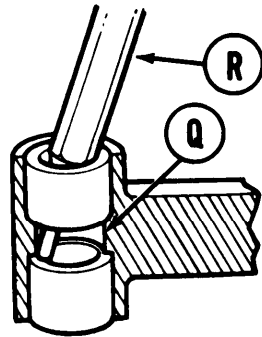
Go on to Sheet 3

TA169142



**BRAKE FOOT PEDAL LEVER MOUNTING BRACKET REPLACEMENT (Sheet 3 of 6)****CAUTION**

Sleeve bearings (P) installed in levers (F) and (G) at the bracket end are resting against shoulders (Q). They must be removed from the inside as shown.



8. Place lever (F) in vise. Using hammer and alining punch (R), remove bottom sleeve bearing (P) from inside as shown. Turn lever (F) over and repeat steps to remove other sleeve bearing (P) at bracket end. Remove sleeve bearing (P) at pedal end.
9. Place lever (G) in vise. Using hammer and alining punch, remove bottom sleeve bearing (P). Turn lever over and remove remaining sleeve bearing (P).

**CLEANING AND INSPECTION:****WARNING**

**Cleaning agent specified is flammable. Use only in well ventilated areas. Keep away from flames, sparks, or heat. Do not smoke while using. Prevent contact with eyes, mouth, and/or skin. Wear rubber gloves when performing cleaning procedures.**

1. Using dry cleaning solvent and rags, clean and dry all parts.
2. Inspect all parts. Replace if unserviceable.

Go on to Sheet 4

TA169143

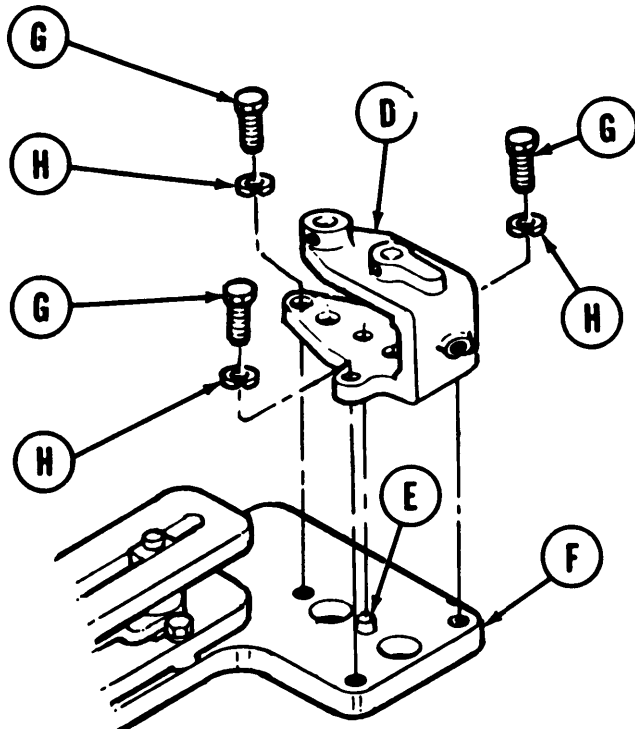
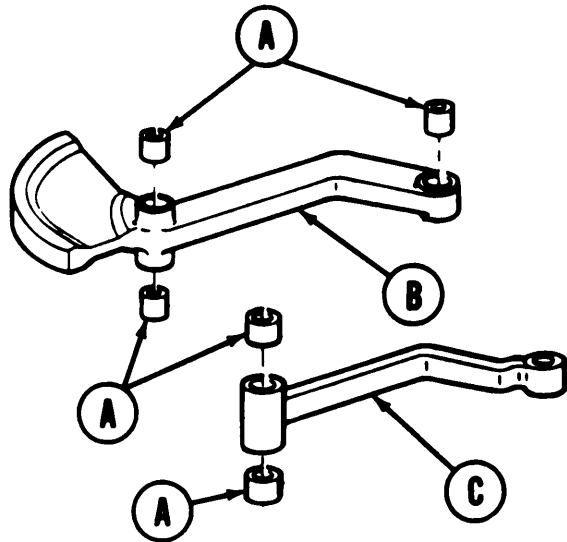
**BRAKE FOOT PEDAL LEVER MOUNTING BRACKET REPLACEMENT (Sheet 4 of 6)**

**CAUTION**

**Place caps on visa jaws before installing sleeve bearings in levers (B) and (C).**

**INSTALLATION:**

1. Using vise, carefully press five sleeve bearings (A) into levers (B) and (C).
2. Using hands, install bracket (D) on aligning pin (E) on mount assembly (F).
3. Using 9/16 inch wrench, install three screws (G) and three lockwashers (H).



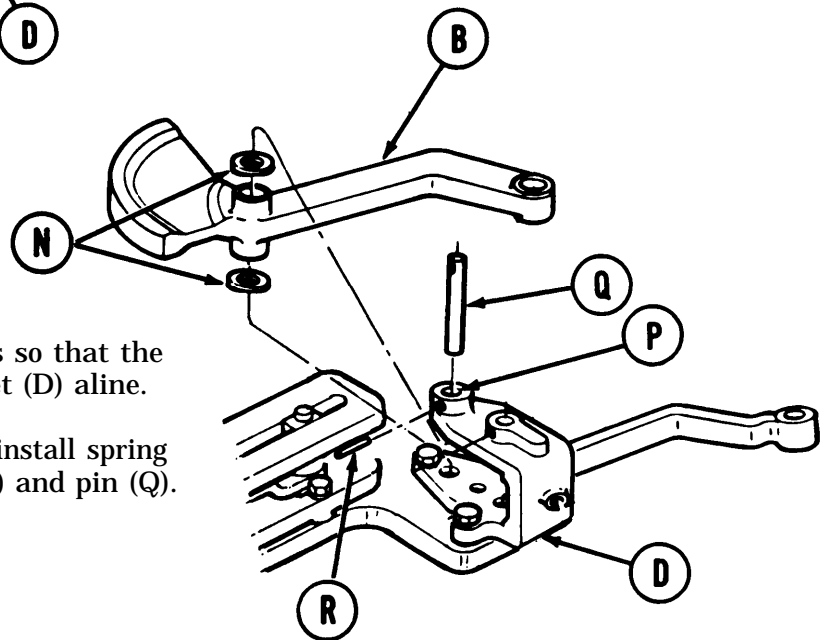
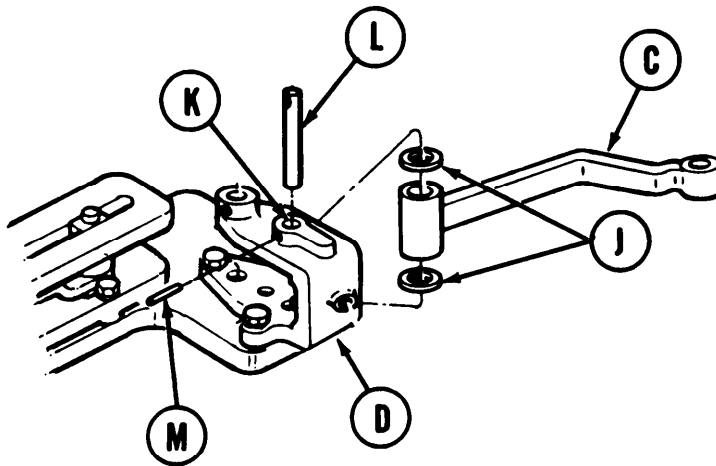
**MOUNT ASSEMBLY  
VIEW LOOKING DOWN**

Go on to Sheet 5

TA169144

**BRAKE FOOT PEDAL LEVER MOUNTING BRACKET REPLACEMENT (Sheet 5 of 6)**

4. Place lever (C) and two washers (J) into bracket (D) alining holes with bracket hole (K).
5. Install pin (L) through hole (K) securing washers and lever.
6. Rotate pin(L) with fingers so that the holes in pin(L) and bracket(D) aline.
7. Using hammer and punch, install spring pin(M) through bracket (D) and pin (L).
8. Place lever (B) and two washers (N) into bracket (D) alining holes with bracket hole (P).
9. Install pin (Q) through hole (P) securing washers and lever.



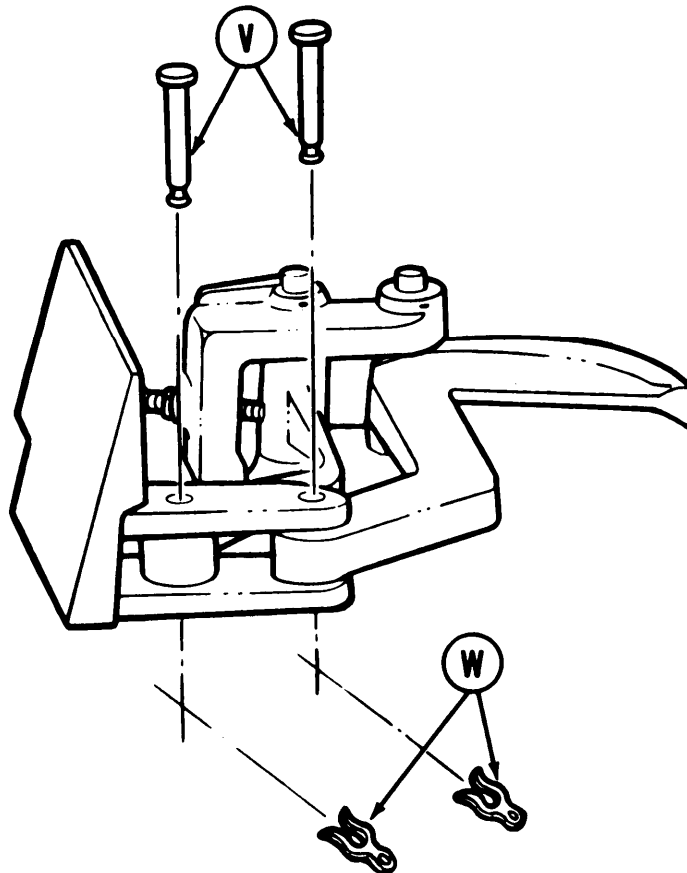
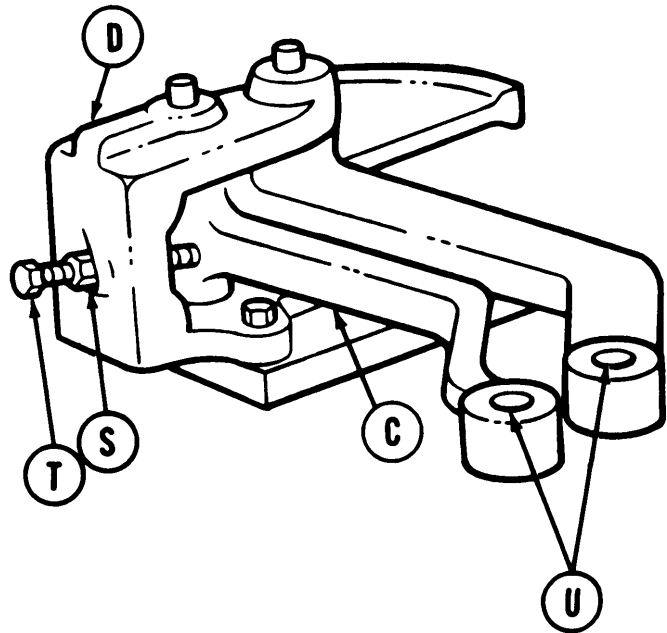
10. Rotate pin (Q) with fingers so that the holes in pin (Q) and bracket (D) aline.
11. Using hammer and punch, install spring pin (R) through bracket (D) and pin (Q).

Go on to Sheet 6

TA169145

**BRAKE FOOT PEDAL LEVER MOUNTING BRACKET REPLACEMENT (Sheet 6 of 6)**

12. Install jamnut (S) on setscrew (T).
13. Install setscrew (T) to bracket (D) until it makes contact with lever (C).
14. Using 3/8 inch wrench, tighten jamnut (S).
15. Aline brake pedal on holes (U) and install two pins (V).
16. Using pliers, install two lock pins (W).
17. Place transmission shift lever in P (park) (TM 5-5420-226-10).
18. Remove blocks from tracks (TM 5-5420-226-10).
19. Perform brake pedal adjustment (page 13-17).



End of Task

TA169146

**BRAKE PEDAL ADJUSTMENT (Sheet 1 of 2)**

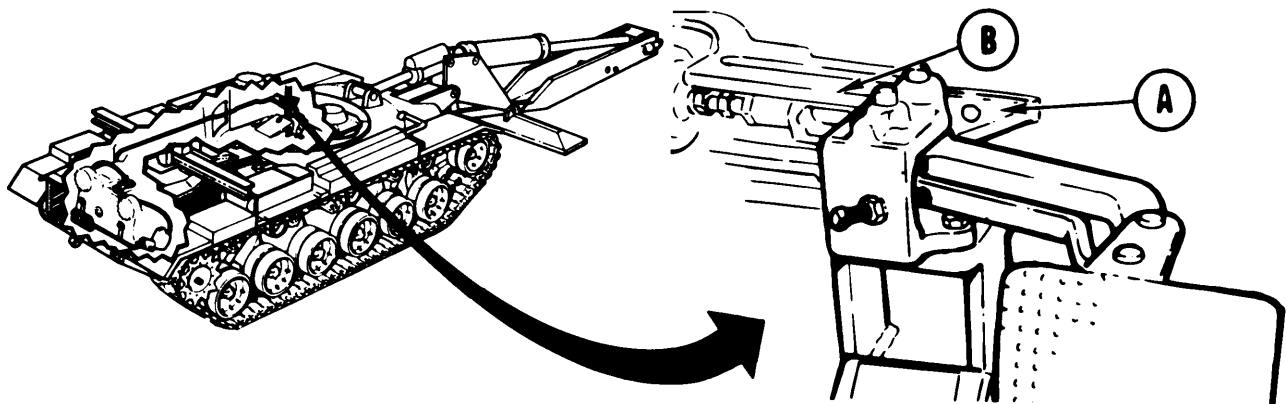
TOOLS: Pin, locating (1/2 in. dia., 7-1/2 in. long)  
 11/16 in. combination box and open end wrenches (two)  
 9/16 in. combination box and open end wrench  
 3/8 in. combination box and open end wrench  
 5/8 in. combination box and open end wrench

REFERENCE: TM 5-5420-226-10

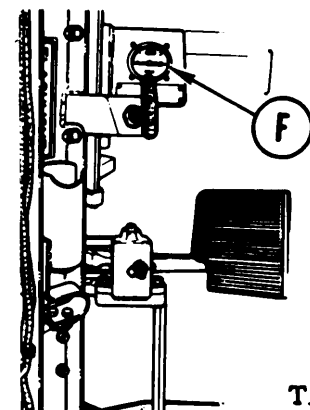
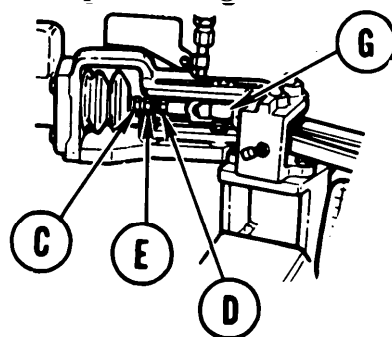
PRELIMINARY PROCEDURES: Block tank tracks (TM 5-5420-226-10)  
 Set transmission shift lever to (N) neutral position  
 (TM 5-5420-226-10)

**BRAKE PEDAL ADJUSTMENT:**

1. Depress brake pedal until hole in cam (A) is aligned with hole in master cylinder bracket (B). Insert locating pin through alignment holes in cam (A) and bracket (B).



2. Using 11/16 inch wrench, loosen jam nuts (C) and (D), using 5/8 inch wrench adjust tie rod (E) for a reading of 175 to 250 psi on pressure gage (F).
3. Tighten jamnuts (C) and (D).
4. Remove locating pin installed in step 1.
5. Depress brake pedal until brake pedal cam face just contacts roller surface (G).
6. Check pressure gage (F) for 0 psi reading.

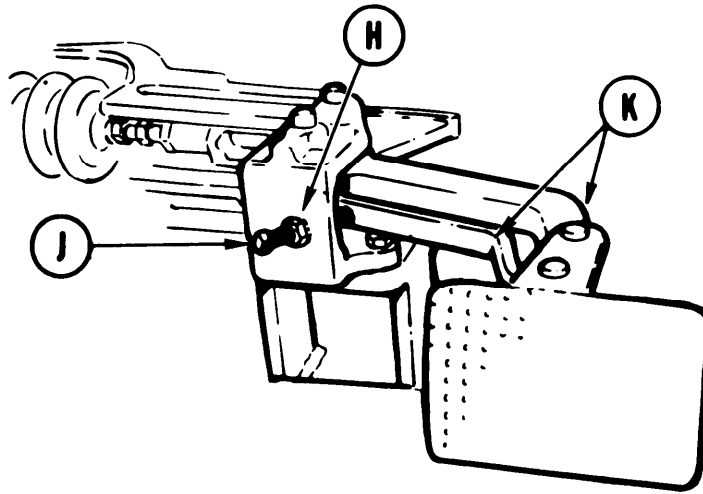


Go on to Sheet 2

TA169147

**BRAKE PEDAL ADJUSTMENT (Sheet 2 of 2)**

7. Using 9/16 inch wrench, loosen jamnut (H).
8. Using 3/8 inch wrench, adjust screw (J) until screw (J) just makes contact with brake lever (K).
9. Tighten jamnut (H).



10. Set transmission shift lever to "P" park position (TM 5-5420-226-10).
11. Remove blocks from vehicle tracks (TM 5-5420-226-10).

End of Task

TA169148

**MASTER BRAKE CYLINDER MOUNTING BRACKET, TIE ROD, PUSH ROD, CLEVIS, AND BOOT REPLACEMENT (Sheet 1 of 9)**

PROCEDURE INDEX	
PROCEDURE	PAGE
Removal	13-19
Cleaning and Inspection	13-24
Installation	13-25

- TOOLS:**   Vise  
               Vise jaw caps  
               Hammer  
               Punch 1/8 in. pt dia  
               Pliers, long nose  
               Ratchet with 1/2 in. drive  
               7/16 in. socket with 1/2 in. drive  
               5/8 in. combination box and open end wrench  
               9/16 in. combination box and open end wrench  
               11/16 in. combination box and open end wrench  
               7/16 in. combination box and open end wrench

- SUPPLIES:**   Two web straps or ropes, 3 feet long  
                   Steel wool (Item 56, Appendix D)  
                   Adhesive, type II (Item 4, Appendix D)  
                   Dry cleaning solvent (Item 55, Appendix D)  
                   Rags (Item 65, Appendix D)

**REFERENCE:**    TM 5-5420-226-10

Go on to Sheet 2

TA169149

**MASTER BRAKE CYLINDER MOUNTING BRACKET, TIE ROD, PUSH ROD, CLEVIS, AND BOOT REPLACEMENT (Sheet 2 of 9)**

**PRELIMINARY PROCEDURES:**

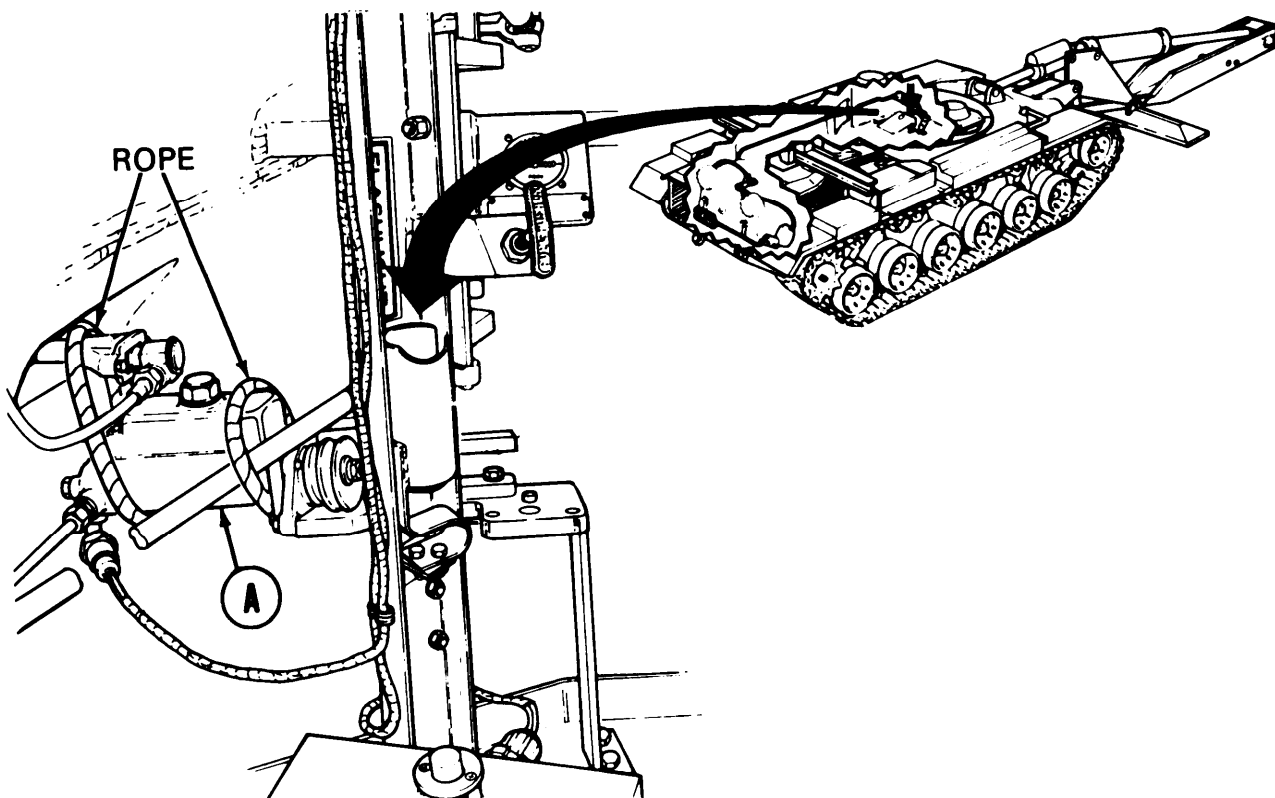
- Block tracks to prevent vehicle movement (TM 5-5420-226-10)
- Place transmission shift lever in N (neutral) position (TM 5-5420-226-10)
- Remove brake foot pedal lever mounting bracket assembly (page 13-11)

**NOTE**

**Clean all parts and general area prior to disassembly with dry cleaning solvent.**

**REMOVAL:**

1. Using web strapping or rope, secure master cylinder (A) to prevent damage when bracket is removed.



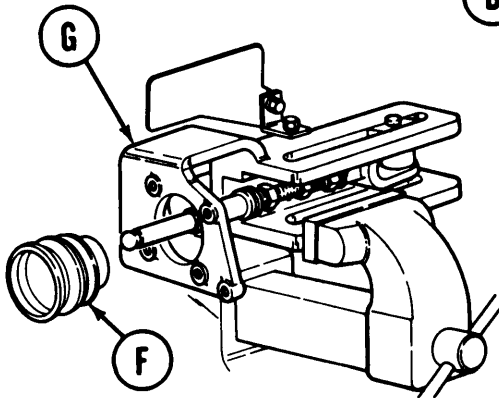
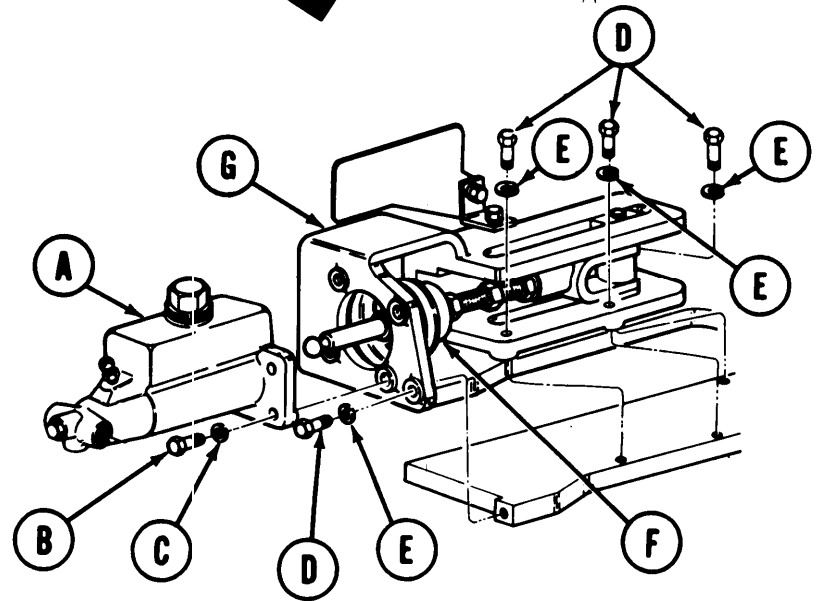
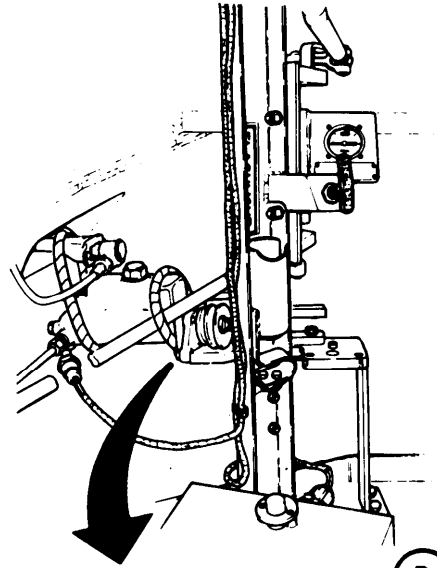
Go on to Sheet 3

TA169150



**MASTER BRAKE CYLINDER MOUNTING BRACKET, TIE ROD, PUSH ROD, CLEVIS, AND BOOT REPLACEMENT (Sheet 3 of 9)**

2. Using 9/16 inch wrench, remove four screws (B) and four lockwashers (C).
3. Using 9/16 inch wrench, remove four screws (D) and four lockwashers (E).
4. Pull boot (F) loose from rear of master cylinder (A).
5. Remove bracket (G) by lifting up and pulling gently to the right.
6. Using vise with copper caps on vise jaws, place bracket (G) in vise.
7. Remove and dispose of boot (F).

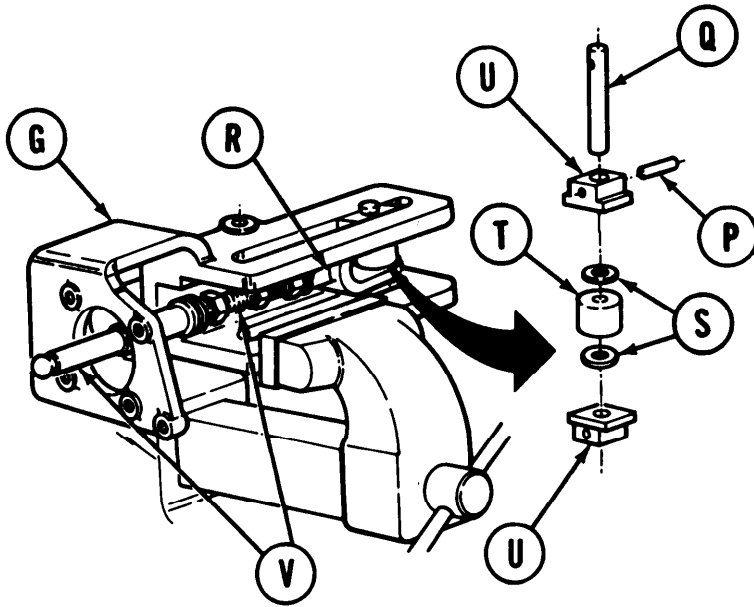
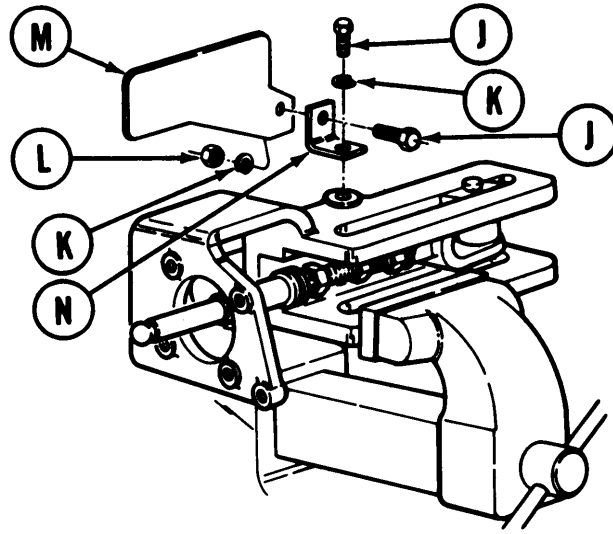


Go on to Sheet 4

TA169151

**MASTER BRAKE CYLINDER MOUNTING BRACKET, TIE ROD, PUSH ROD, CLEVIS, AND BOOT REPLACEMENT (Sheet 4 of 9)**

8. Using 7/16 inch socket and 7/16 inch wrench, remove two screws (J), two lockwashers (K), nut (L), instruction plate (M), and angle bracket (N).
9. Using hammer and punch, drive pin (P) out.
10. Using pliers, pull pin (Q) out.



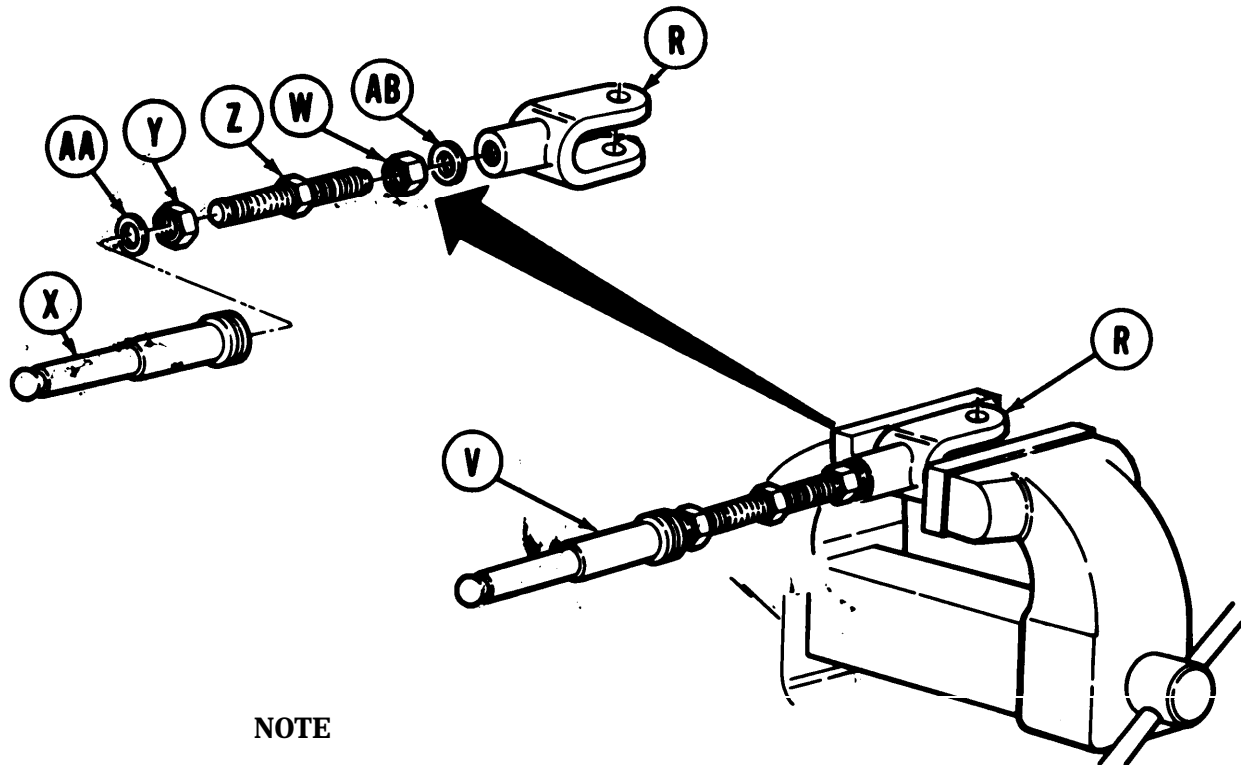
11. Using fingers, move clevis (R) to the left. Remove two washers (S), roller assembly (T), and two bearings (U).
12. Remove push rod, tie rod, and clevis assembly (V) from bracket (G). Remove bracket (G) from vise.

Go on to Sheet 5

TA169152

**MASTER BRAKE CYLINDER MOUNTING BRACKET, TIE ROD, PUSH ROD, CLEVIS, AND BOOT REPLACEMENT (Sheet 5 of 9)**

13. Place push rod, tie rod, and clevis assembly (V) in the vise with the vise clamped to the clevis (R).



**NOTE**

**Clevis (R) and nut (W) have left hand threads. Push and (X) and nut (Y) have right hand threads.**

14. Using 5/8 inch wrench to hold tie rod (Z), use 11/16 inch wrench to loosen nuts (Y) and (W).
15. Using 5/8 inch wrench, remove push rod (X). If washer (AA) is present, dispose of it.
16. Using 5/8 inch wrench, remove tie rod (Z). If washer (AB) is present, dispose of it. Remove nut (W).
17. Remove clevis (R) from vise.

Go on to Sheet 6

TA169153

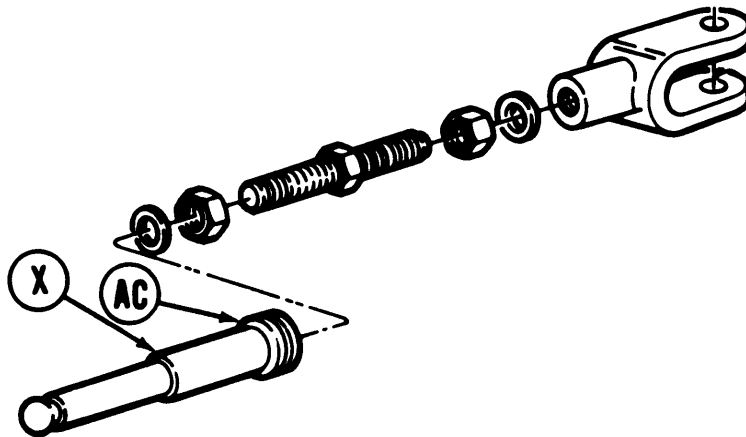
**MASTER BRAKE CYLINDER MOUNTING BRACKET, TIE ROD, PUSH ROD, CLEVIS, AND BOOT REPLACEMENT (Sheet 6 of 9)**

CLEANING AND INSPECTION:

**WARNING**

Cleaning agent specified is flammable. Use only in well ventilated areas. Keep away from flames, sparks, or heat. Do not smoke while using. Prevent contact with eyes, mouth, and/or skin. Wear rubber gloves when performing cleaning procedures.

1. Using dry cleaning solvent and rags, clean and dry all parts.
2. Using steel wool, remove remaining adhesive from groove (AC) on push rod (X).



3. Inspect all parts for damage or excessive wear. Replace if unserviceable.

Go on to Sheet 7

TA169154

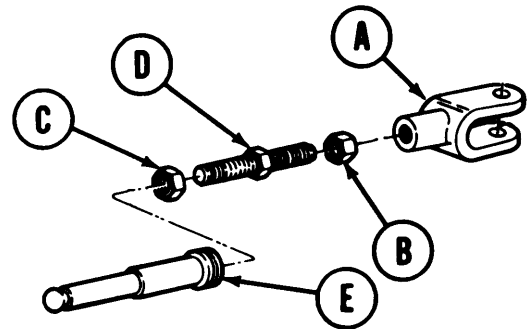
**MASTER BRAKE CYLINDER MOUNTING BRACKET, TIE ROD, PUSH CLEVIS AND BOOT REPLACEMENT (Sheet 7 of 9)**

INSTALLATION:

1. Using vise with copper caps on vise jaws, place clevis (A) in vise.

NOTE

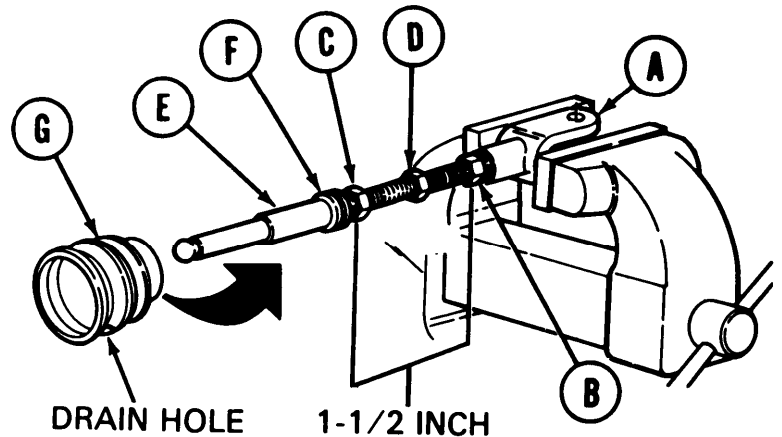
Clevis (A) and nut (B) have left hand threads. Nut (C) and push rod (E) have right hand threads.



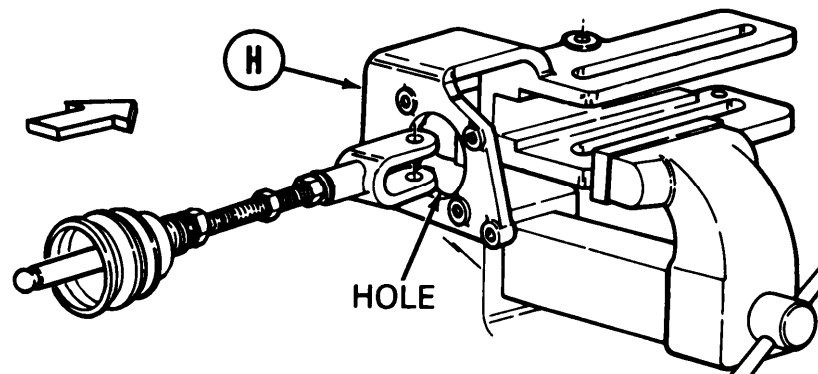
2. Using 11/16 inch wrench, install nuts (B) and (C) on tie rod (D) about 1-1/2 inches apart as shown.

NOTE

Nuts (B) and (C) will be tightened during adjustment procedures.



3. Using 5/8 inch wrench, assemble tie rod (D), push rod (E), and clevis (A).
4. Apply adhesive to groove (F) on push rod (E). When adhesive becomes tacky to the touch, install boot (G) with the drain hole in the lowest position.
5. Remove clevis (A) and assembled parts (B), (C), (D), (E), and (G), from vise. Place bracket (H) in vise. Install clevis (A) and assembled parts through hole in bracket as shown.

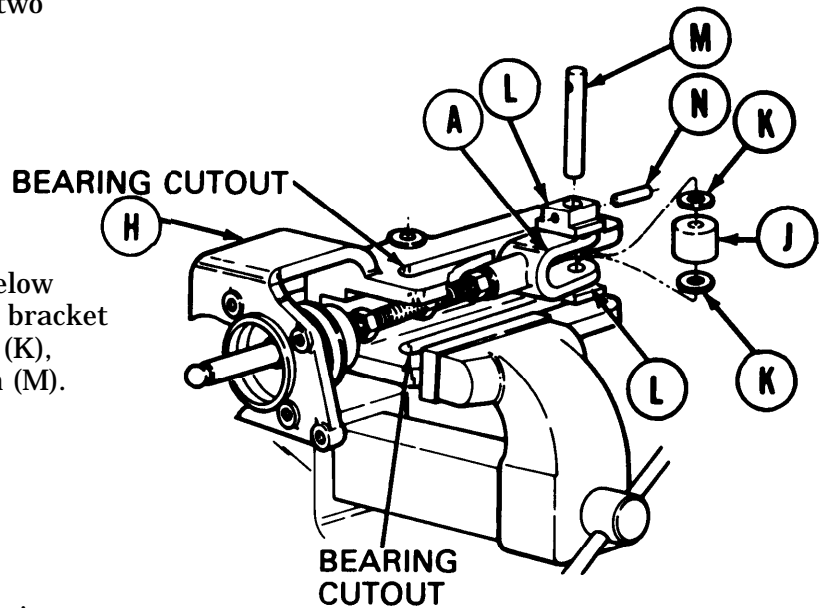


Go on to Sheet 8

TA169155

**MASTER BRAKE CYLINDER MOUNTING BRACKET, TIE ROD, PUSH ROD, CLEVIS, AND BOOT REPLACEMENT (Sheet 8 of 9)**

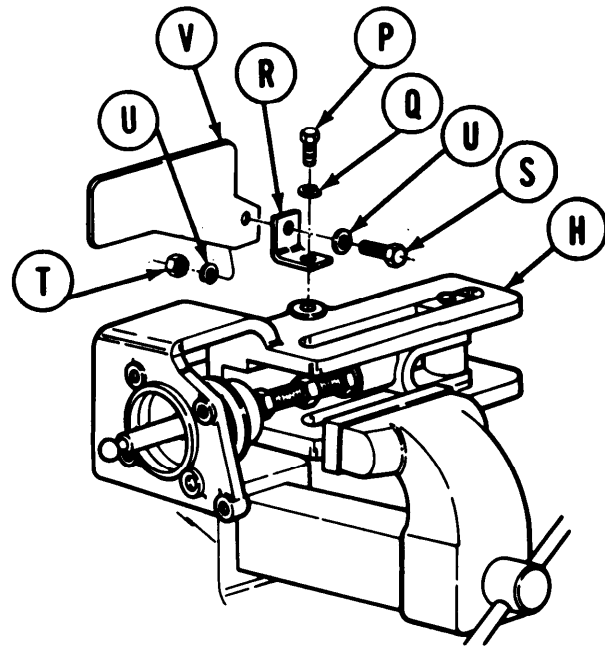
6. Position roller assembly (J) and two washers (K) into clevis (A).



7. Position bearings (L) above and below clevis (A) into bearing stouts on bracket (H). Align holes in parts (L), (A), (K), (J), (K), (A), and (L) and insert pin (M).

8. Using hammer and punch, install pin (N) into bearing (L).

9. Using 7/16 inch socket, install screw (P), lockwasher (Q), and angle bracket (R) to bracket assembly (H).



10. Using 7/16 inch socket and 7/16 inch wrench, install screw (S), nut (T) lockwashers (U), and instruction plate (V) to angle bracket (R).

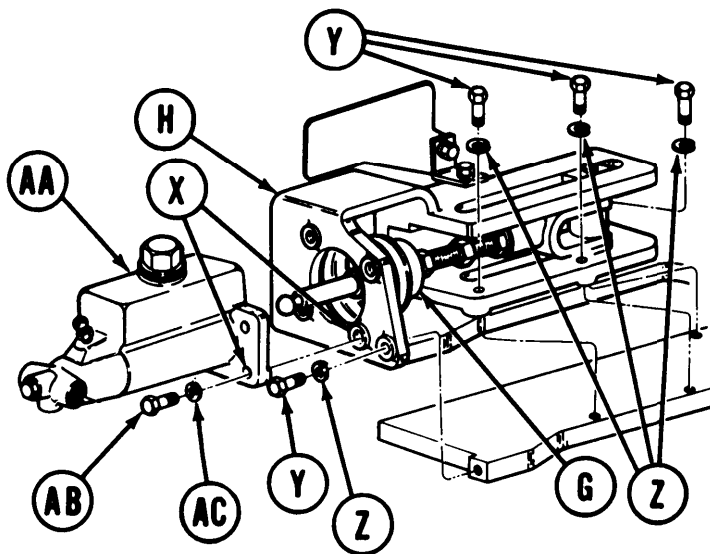
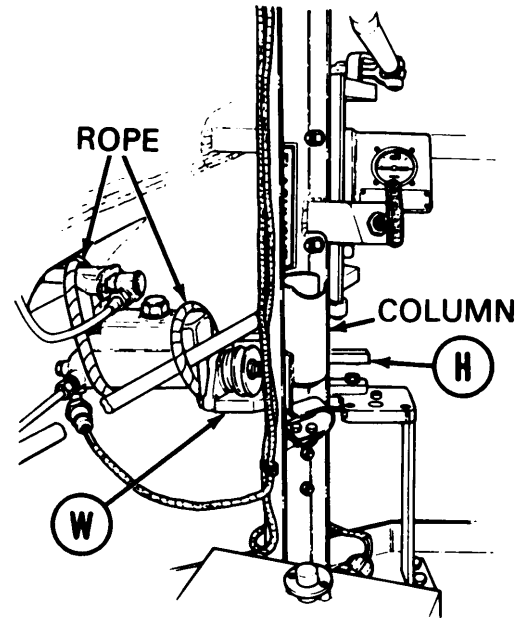
11. Remove assembled bracket (H) from vise.

Go on to Sheet 9

TA169156

**MASTER BRAKE CYLINDER MOUNTING BRACKET, TIE ROD, PUSH ROD, CLEVIS, AND BOOT REPLACEMENT (Sheet 9 of 9)**

12. Place assembled bracket (H) behind the column on mount assembly(W), with holes (X) alined.
13. Using 9/16 inch wrench, install four screws (Y) and four lockwashers (Z).
14. Using hands, install forward lip of boot (G) to rear lip on master cylinder (AA).
15. Using 9/16 inch wrench, install four screws (AB) and four lockwashers (AC).



16. Remove web straps or ropes used to secure master cylinder.
17. Install brake foot pedal assembly (page 13-14).
18. Perform brake pedal adjustment (page 13-17).
19. Place shift lever in P (park) position and remove blocks from track (TM 5-5420-226-10).

End of Task

TA169157

**MASTER CYLINDER AND PEDAL LEVER MOUNT ASSEMBLY REPLACEMENT (Sheet 1 of 3)**

**TOOLS:** Ratchet with 1/2in. drive  
5 in. extension socket wrench, 1/2 in. drive  
9/16 in. socket with 1/2 in. drive  
9/16 in. combination box and open end wrench

**SUPPLIES:** Two web straps or ropes, 3 feet long  
Dry cleaning solvent (Item 55, Appendix D)  
Rags (Item 65, Appendix D)

**REFERENCE:** TM 5-5420-226-10

**PRELIMINARY PROCEDURES:** Block tracks to prevent vehicle movement  
(TM 5-5420-226-10)  
Place transmission shift lever in N (neutral) position  
(TM 5-5420-226-10)

Remove brake foot pedal lever mounting bracket assembly (page 13-11).

Remove master brake cylinder mounting bracket assembly (page 13-17).

**NOTE**

**Clean all Parts and general area prior to disassembly.**

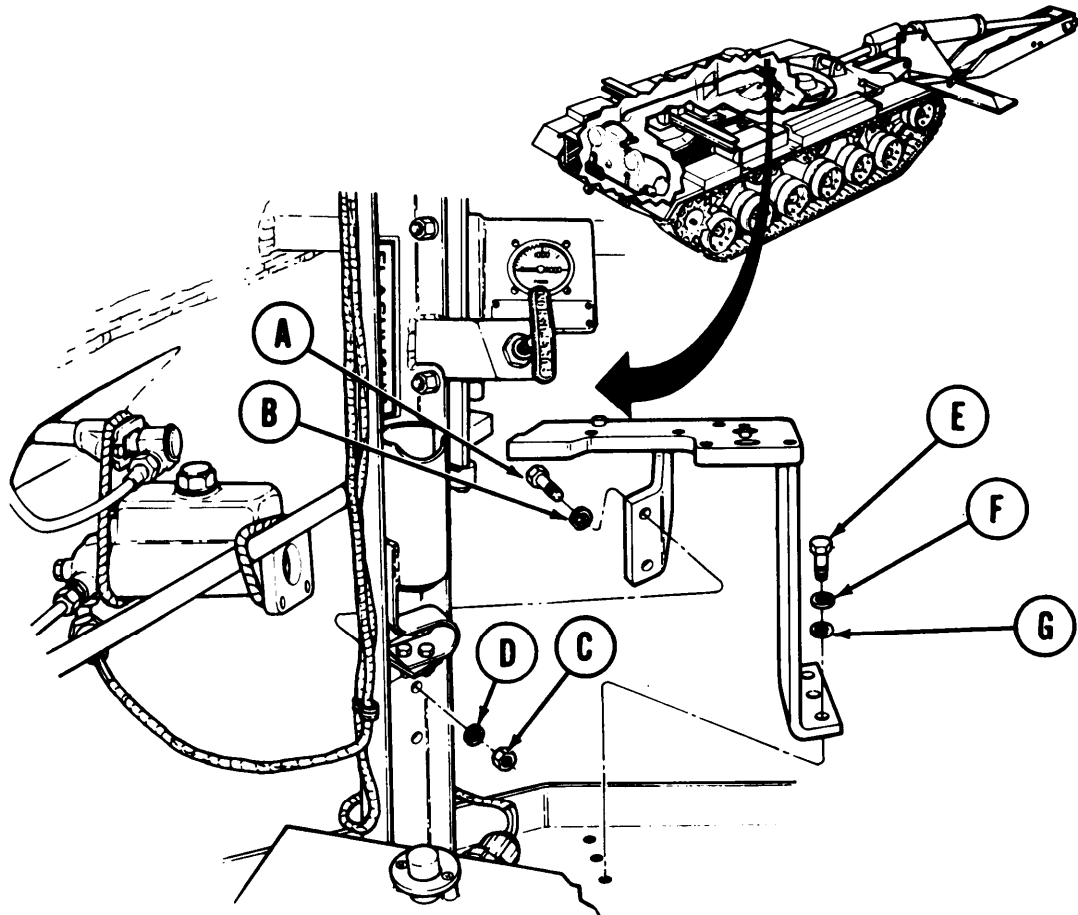
**CAUTION**

**Using web strapping or rope, secure master cylinder to prevent damage when bracket is removed.**

Go on to Sheet 2



## MASTER CYLINDER AND PEDAL LEVER MOUNT ASSEMBLY REPLACEMENT (Sheet 2 of 3)



## REMOVAL:

1. Use 9/16 inch wrench to hold two screws (A) and two washers (B).
2. Using socket and extension, remove two nuts (C) and lockwashers (D). Remove two screws (A) and washers (B).
3. Using socket and extension, remove three screws (E), lockwashers (F), and washers (G).

## CLEANING AND INSPECTION:

**WARNING**

Cleaning agent specified is flammable. Use only in well ventilated areas. Keep away from flames, sparks, or heat. Do not smoke while using. Prevent contact with eyes, mouth, and/or skin. Wear rubber gloves when performing cleaning procedures.

1. Using dry cleaning solvent and rags, clean and dry mount.

Go on to Sheet 3

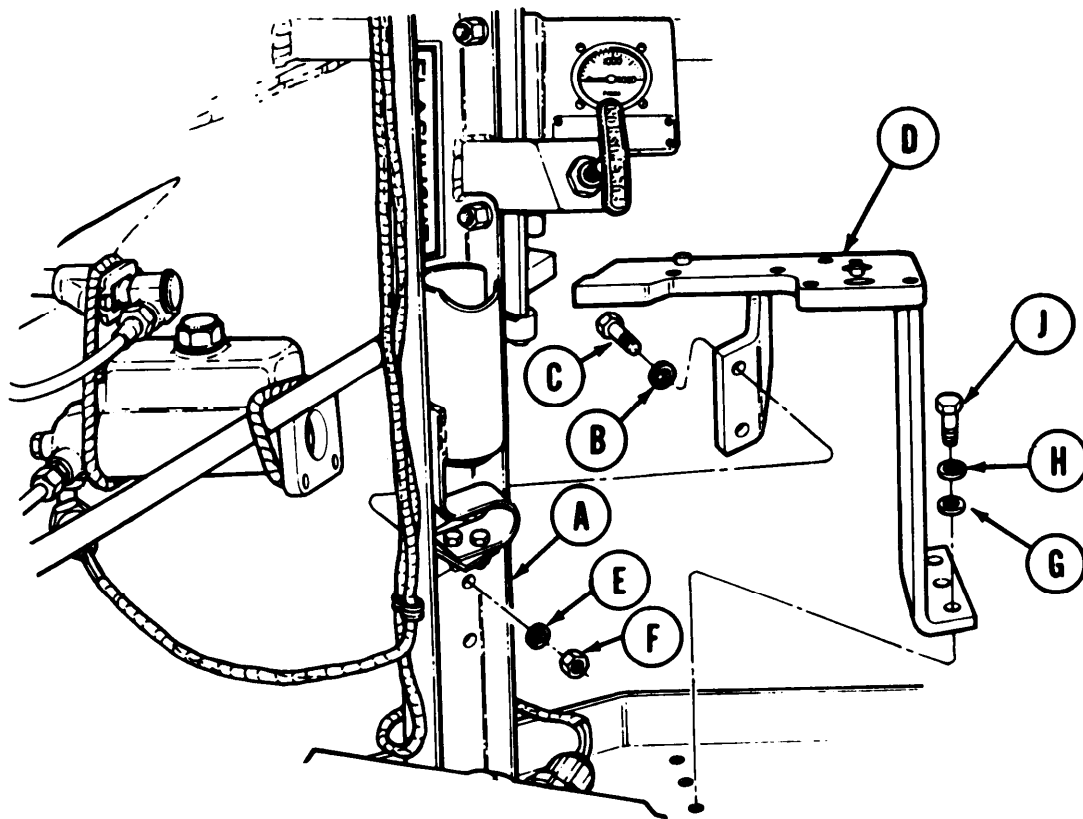
TA169158

MASTER CYLINDER AND PEDAL LEVER MOUNT ASSEMBLY REPLACEMENT (Sheet 3 of 3)

2. Inspect the mount for cracks or broken alignment pins. Replace if unserviceable.

INSTALLATION :

1. Place mount behind column (A) with holes alined.
2. Place two washers (B) on two screws (C) and install through rear of mount (D).
3. Use 9/16 inch wrench to hold screws (C).  
Using socket and extension lockwashers (E) and two nuts (F).



4. Using socket and extension, install three washers (G), lockwashers (H), and screws (J).
5. Install master brake cylinder mounting bracket (page 13-25).
6. Remove web straps or rope securing master cylinder.
7. Install brake foot pedal assembly (page 13-14).
8. Place shift lever in P (park) position and remove blocks from tracks (TM 5-5420-226-10).

End of Task

TA169159

**BRAKE SWITCH (STOPLIGHT) REPLACEMENT (Sheet 1 of 4)**

PROCEDURE INDEX	
PROCEDURE	PAGE
Removal	13-31
Cleaning and Inspection	13-32
Installation	13-33

TOOLS: Ratchet with 1/2 in. drive  
 1 in. socket (deep style) with 1/2 in. drive  
 1-1/8 in. socket with 1/2 in. drive  
 Funnel, 1 qt cap. with flexible spout

SUPPLIES: Container, 1 qt. cap.  
 Rags (Item 65, Appendix D)  
 Dry cleaning solvent (Item 55, Appendix D)  
 11/16 in. plug  
 Brake fluid (Item 40, Appendix D)

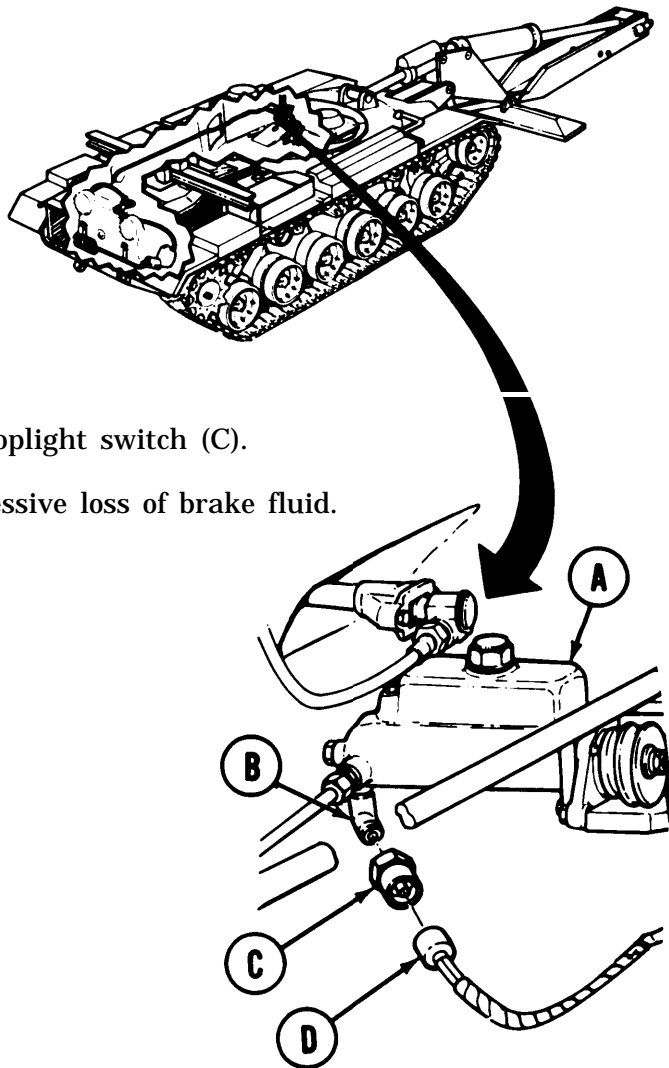
PERSONNEL: Two

PRELIMINARY PROCEDURES: Block tracks to prevent vehicle movement  
 (TM 5-5420-226-10)  
 Place MASTER BATTERY switch in OFF position  
 (TM 5-5420-226-10)  
 Place transmission shift lever in neutral "N"  
 (TM 5-5420-226-10)

**BRAKE SWITCH (STOPLIGHT) REPLACEMENT (Sheet 2 of 4)**

**REMOVAL:**

1. Using dry cleaning solvent and rags, clean master cylinder (A), elbow (B), stoplight switch (C), electrical connector (D), and general area.
2. Using hands, place funnel and container under elbow (B) to catch brake fluid.
3. Using fingers, disconnect electrical connector (D) from stoplight switch (c).
4. Using 1 inch deep style socket, remove stoplight switch (C).
5. Using plug, plug elbow (B) to prevent excessive loss of brake fluid.



**CLEANING AND INSPECTION:**

**WARNING**

Cleaning agent specified is flammable. Use only in well ventilated areas. Keep away from flames, sparks, or heat. Do not smoke while using. Prevent contact with eyes, mouth and/or skin. Wear rubber gloves when performing cleaning procedures

1. Using rags and dry cleaning solvent, clean all parts before installation.
2. Inspect elbow (B) for worn threads. Replace if unserviceable.
3. Inspect electrical connector (D) and lead in wires for cracks and worn spots. Replace if unserviceable.

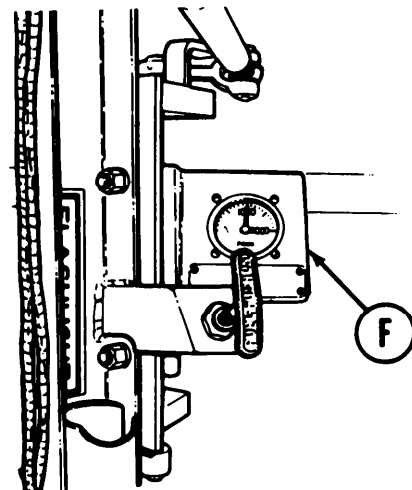
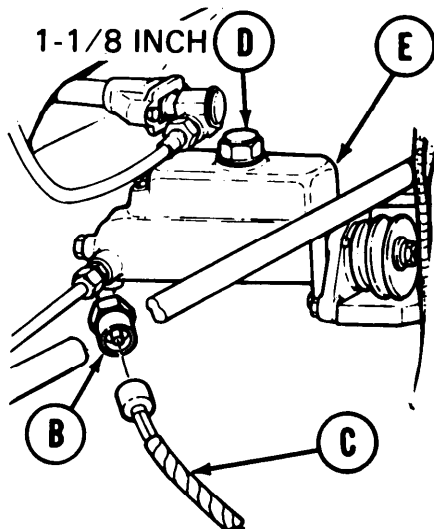
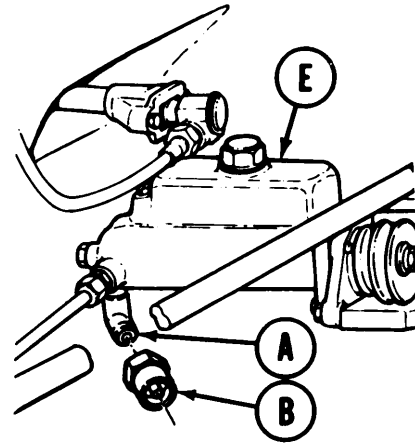
Go on to Sheet 3

TA169161

**BRAKE SWITCH (STOPLIGHT) REPLACEMENT (Sheet 3 of 4)**

**INSTALLATION:**

1. Using fingers, remove plug from elbow (A).
2. Using 1 inch deep style socket, install stoplight switch (B).
3. Using fingers, connect electrical connector (C) to stoplight switch (B).
4. Using 1-1/8 inch socket, remove filler cap (D).
5. Using funnel, fill master cylinder (E) with brake fluid to 1/4 inch from top of opening.
6. Using 1-1/8 inch socket, install filler cap (D).
7. Press (not pump) brake pedal to ensure a pressure of 800 to 1000 psi (see gage F) is maintained without spongy pedal movement.
8. Place MASTER BATTERY switch in ON position.
9. While pressing brake pedal, have second person check that both brake lights light up.
10. Place MASTER BATTERY switch in OFF position.



TA169162

**BRAKE SWITCH (STOPLIGHT) REPLACEMENT (Sheet 4 of 4)**

11. brake operation is not satisfactory, perform brake system bleeding operations (page 13-86).
12. Place transmission shift lever in P (park) and remove blocks from tracks (TM 5-5420-226-10).

End of Task

**BRAKE PRESSURE GAGE, TUBE ASSEMBLY, REDUCER, AND GASKET REPLACEMENT  
(Sheet 1 of 7)**

PROCEDURE INDEX

PROCEDURE	PAGE
Removal	13-35
Cleaning and Inspection	13-38
Installation	13-39

TOOLS: Screwdriver, cross-tip  
 Ratchet with 1/2 in. drive  
 1-1/8 in. socket with 1/2 in. drive  
 1/2 in. combination box and open end wrench  
 9/16 in. combination box and open end wrench  
 11/16 in. combination box and open end wrench  
 3/4 in. combination box and open end wrench  
 Funnel, 1 qt. cap. with flexible spout

SUPPLIES: Container, 1 qt. cap.  
 Rags (Item 65, Appendix D)  
 Dry cleaning solvent (Item 55, Appendix D)  
 1/2 in. plastic plug  
 Brake fluid (Item 40, Appendix D)  
 Gasket (AN 901-5C)  
 Packing (MS 28778-4)  
 Masking tape (Item 57, Appendix D)

REFERENCE: TM 5-5420-226-10

PRELIMINARY PROCEDURES: Block tracks (TM 5-5420-226-10)  
 Place MASTER BATTERY switch in OFF position  
 (TM 5-5420-226-10)  
 Place transmission shift lever in neutral "N"  
 (TM 5-5420-226-10)

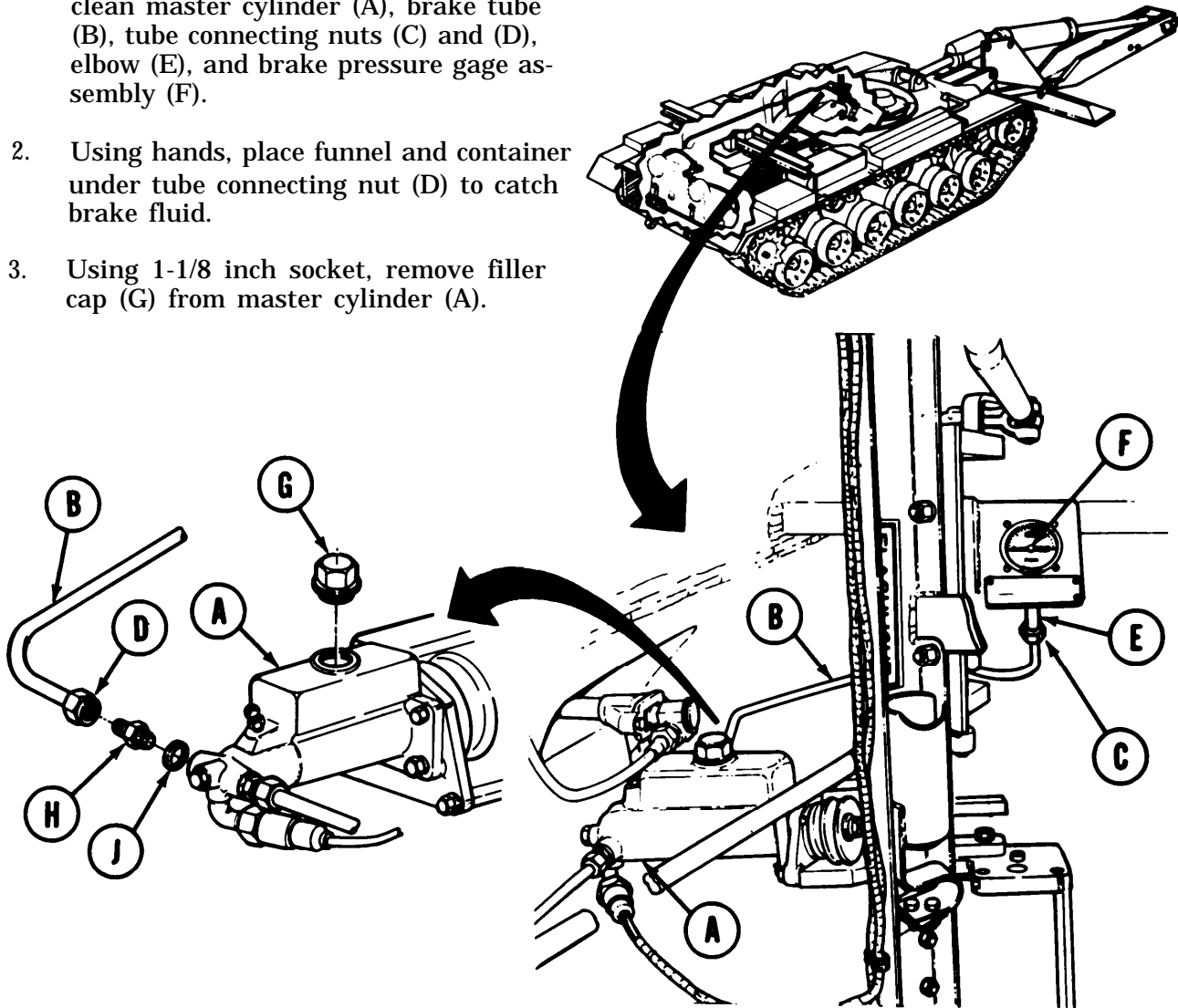
Go on to Sheet 2

TA169163

**BRAKE PRESSURE GAGE, TUBE ASSEMBLY, REDUCER, AND GASKET REPLACEMENT**  
(Sheet 2 of 7)

REMOVAL:

1. Using dry cleaning solvent and rags, clean master cylinder (A), brake tube (B), tube connecting nuts (C) and (D), elbow (E), and brake pressure gage assembly (F).
2. Using hands, place funnel and container under tube connecting nut (D) to catch brake fluid.
3. Using 1-1/8 inch socket, remove filler cap (G) from master cylinder (A).



4. Using 3/4 inch wrench to hold reducer (H), use 9/16 inch wrench to remove tube connecting nut (D).
5. After brake fluid has drained from master cylinder (A), use fingers to install filler cap (G) to master cylinder.
6. Using 3/4 inch wrench, remove reducer (H) and gasket (J). Throw gasket (J) away. Plug hole with plastic plug.

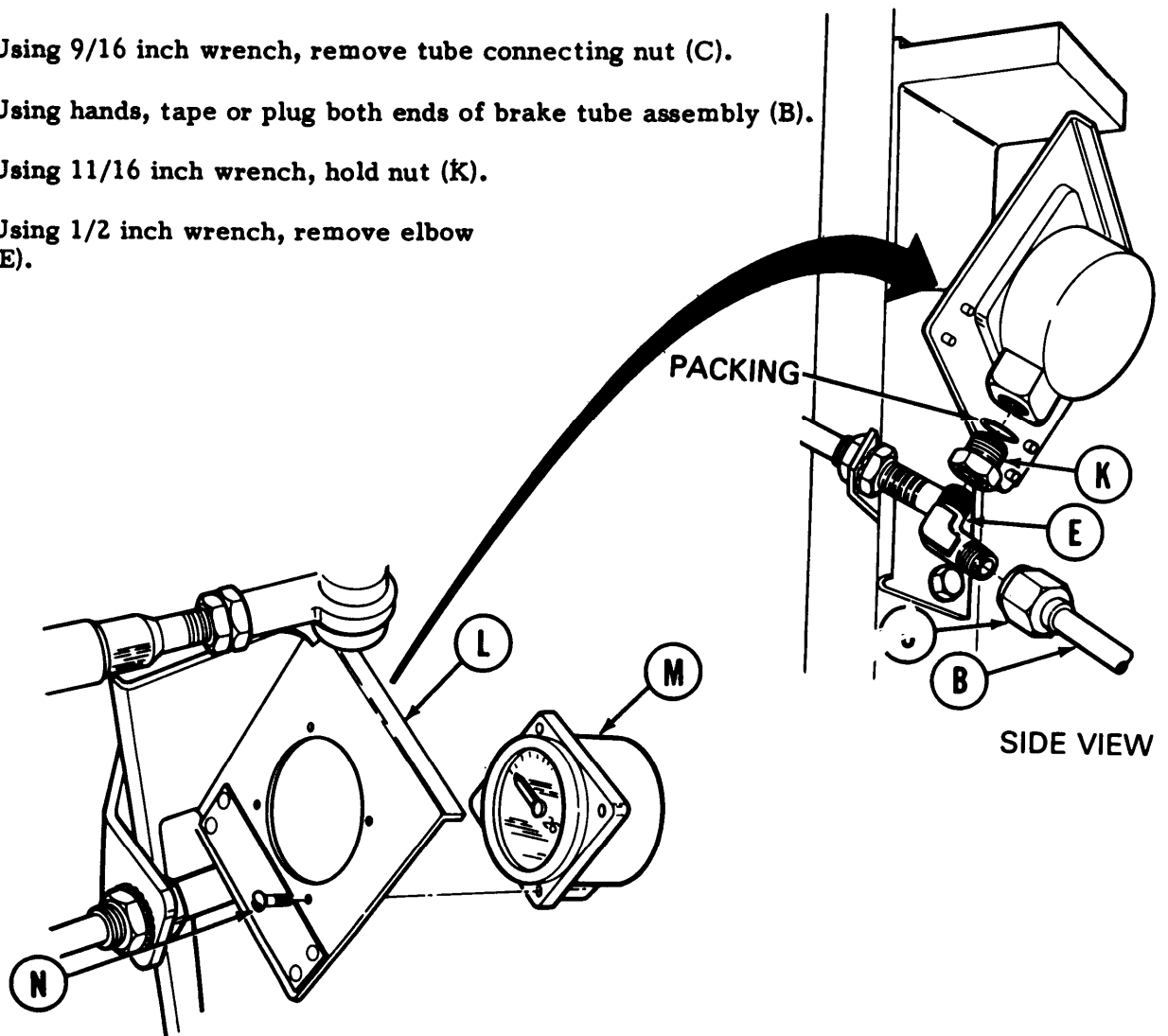
Go on to Sheet 3

TA169164



**BRAKE PRESSURE GAGE, TUBE ASSEMBLY, REDUCER, AND GASKET REPLACEMENT**  
(Sheet 3 of 7)

7. Using 9/16 inch wrench, remove tube connecting nut (C).
8. Using hands, tape or plug both ends of brake tube assembly (B).
9. Using 11/16 inch wrench, hold nut (K).
10. Using 1/2 inch wrench, remove elbow (E).



11. Using 11/16 inch wrench, remove nut (K) and packing. Throw packing away.
12. Place hand behind bracket assembly (L) and hold gage (M) firmly.
13. Using screwdriver, remove four screws (N) from face of bracket assembly (L).
14. Using hands, remove gage (M). Place gage in safe area.

Go on to Sheet 4

TA169165

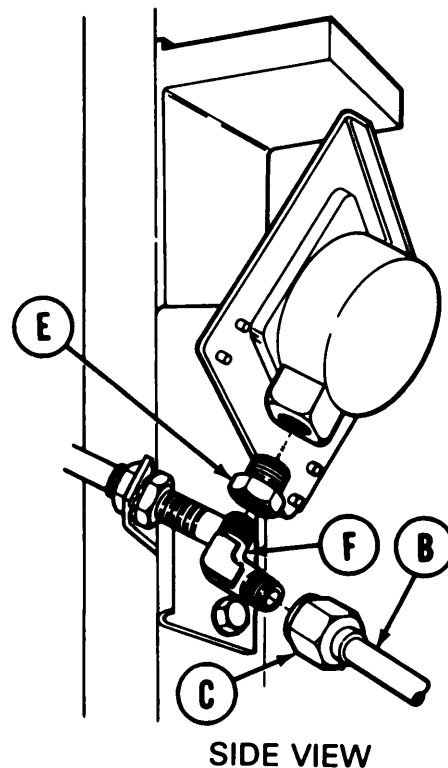
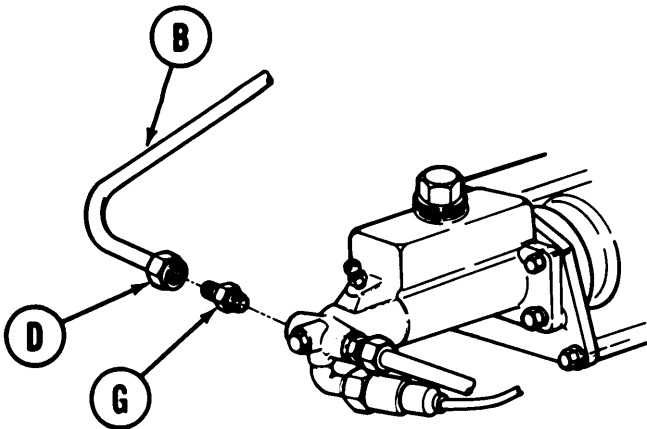
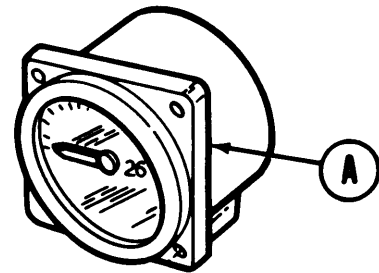
**BRAKE PRESSURE GAGE, TUBE ASSEMBLY, REDUCER, AND GASKET REPLACEMENT**  
 (Sheet 4 of 7)

CLEANING AND INSPECTION:

**WARNING**

Cleaning agent specified is flammable. Use only in well ventilated areas. Keep away from flames, sparks, or heat. Do not smoke while using. Prevent contact with eyes, mouth, and/or skin. Wear rubber gloves when performing cleaning procedures.

1. Using rags and dry cleaning solvent, clean all parts inside and out.
2. Inspect gage (A) for cracked or broken glass. Replace if unserviceable.
3. Inspect brake tube assembly (B) and tube connecting nuts (C) and (D) for worn threads, holes, and cracks. Replace if unserviceable.
4. Inspect nut (E) and elbow (F) for worn threads and cracks. Replace if unserviceable.
5. Inspect reducers (G) for worn threads or cracks. Replace if unserviceable.



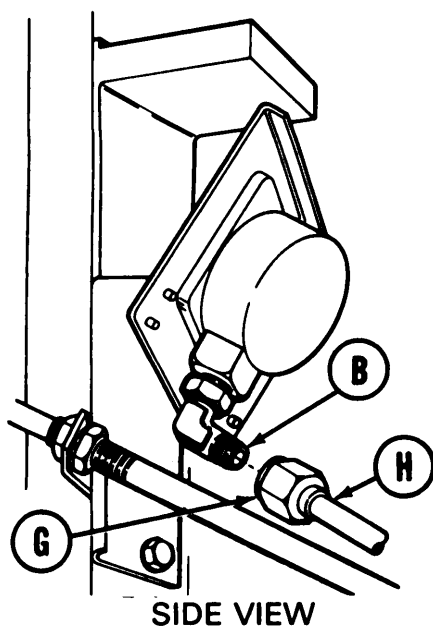
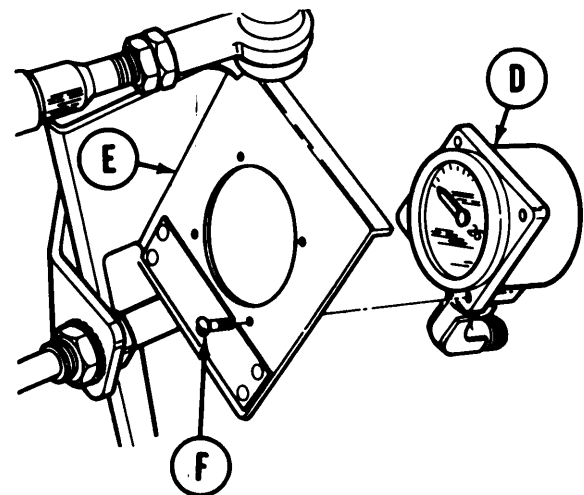
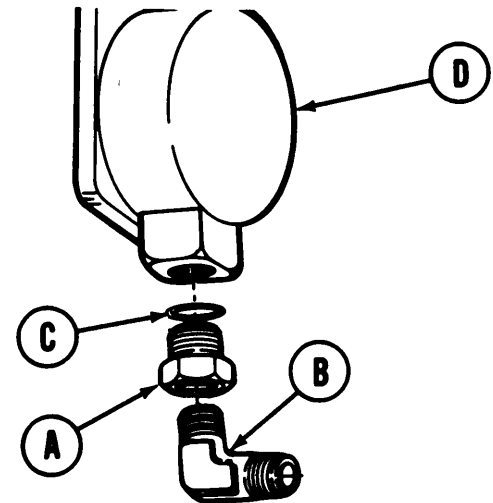
Go on to Sheet 5

TA169166

**BRAKE PRESSURE GAGE, TUBE ASSEMBLY, REDUCER, AND GASKET REPLACEMENT  
(Sheet 5 of 7)**

INSTALLATION:

1. Using fingers, install nut (A) to elbow (B). Install packing (C) above nut (A) and install elbow (B) to gage (D).
2. Using 11/16 inch wrench, tighten nut (A).
3. Using 1/2 inch wrench, tighten elbow (B).  
Aline elbow (B) toward rear of gage as shown.
4. Using hands, place gage (D) behind bracket assembly (E) and aline four screw holes.
5. Using screwdriver, install four screws (F) through holes in bracket assembly (E) to secure gage (D) to bracket assembly (E).
6. Using fingers, remove protective covering, rags or tape from brake tube assembly (H) ends.
7. Using fingers, install tube connecting nut (G) and brake tube assembly (H) finger tight to elbow (B).

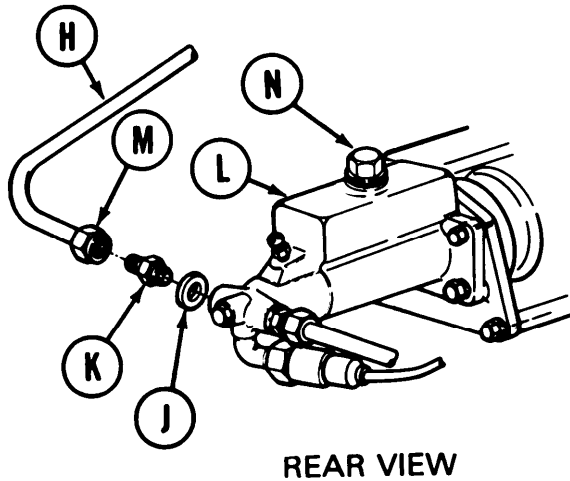


Go on to Sheet 6

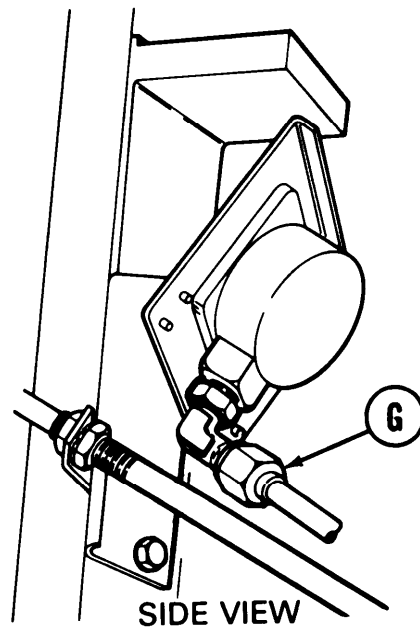
TA169167

**BRAKE PRESSURE GAGE, TUBE ASSEMBLY, REDUCER, AND GASKET REPLACEMENT**  
(Sheet 6 of 7)

8. Using fingers, install gasket (J) to reducer (K).
9. Using 3/4 inch wrench, install reducer (K) to master cylinder (L).
10. Using 9/16 inch wrench, install tube connecting nut (M) and brake tube assembly (H) to reducer (K).
11. Using fingers, remove filler cap (N) from master cylinder (L).
12. Using funnel, fill master cylinder with brake fluid to 1/4 inch from top of opening.



13. Using 1-1/8 inch socket, install filler cap (N) to master cylinder (L).
14. Using hands, place rags or container under line connecting nut (G) to catch brake fluid during line bleeding procedure.



15. Depress brake pedal until brake fluid appears running clear and free of bubbles at line connecting nut (G).
16. Using 9/16 inch wrench, tighten line connecting nut (G).
17. Using 1-1/8 inch socket, remove filler cap (N).
18. Fill master cylinder with brake fluid to 1/4 inch from top of opening and install filler cap (N).

Go on to Sheet 7

TA169168

**BRAKE PRESSURE GAGE, TUBE ASSEMBLY, REDUCER, AND GASKET REPLACEMENT**  
(Sheet 7 of 7)

19. Repeat steps 10 through 16 until brake pedal can be pushed in (not pumped) and pressure of 800 to 1000 psi is maintained without a spongy pedal
20. Place transmission shift lever in P (park) and remove blocks from tracks.

End of Task

MASTER BRAKE CYLINDER-TO-BULKHEAD TUBE ASSEMBLY REPLACEMENT (Sheet 1 of 5)

PROCEDURE INDEX

PROCEDURE	PAGE
Removal	13-42
Cleaning and Inspection	13-44
Installation	13-45

TOOLS: 7/8 in. combination box and open end wrench  
 11/16 in. combination box and open end wrench  
 13/16 in. combination box and open end wrench  
 Ratchet with 1/2 in. drive  
 1-1/8 in. socket with 1/2 in. drive  
 Funnel, 1 qt. cap. with flexible spout

SUPPLIES Container, 1 qt. cap.  
 Rags (Item 65, Appendix D)  
 Dry cleaning solvent (Item 55, Appendix D)  
 Caps (2 required)  
 Brake fluid (Item 34, Appendix D)

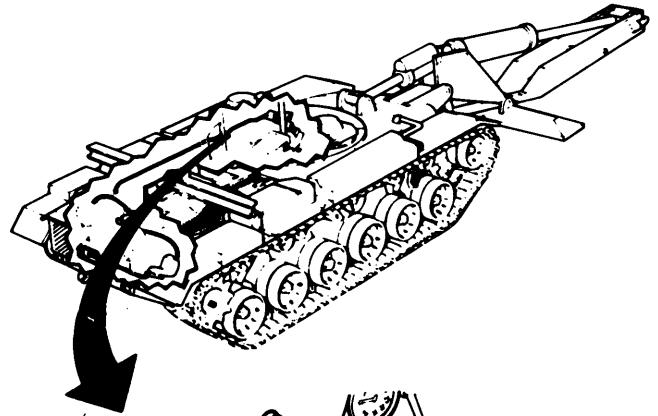
REFERENCE TM 5-5420-226-10

PRELIMINARY PROCEDURES: Block tracks to prevent vehicle movement  
 (TM 5-5420-226-10)  
 Place MASTER BATTERY switch in OFF position  
 (TM 5-5420-226-10)  
 Place transmission shift lever in neutral "N"  
 (TM 5-5420-226-10)

**MASTER BRAKE CYLINDER-TO-BULKHEAD TUBE ASSEMBLY REPLACEMENT (Sheet 2 of 5)**

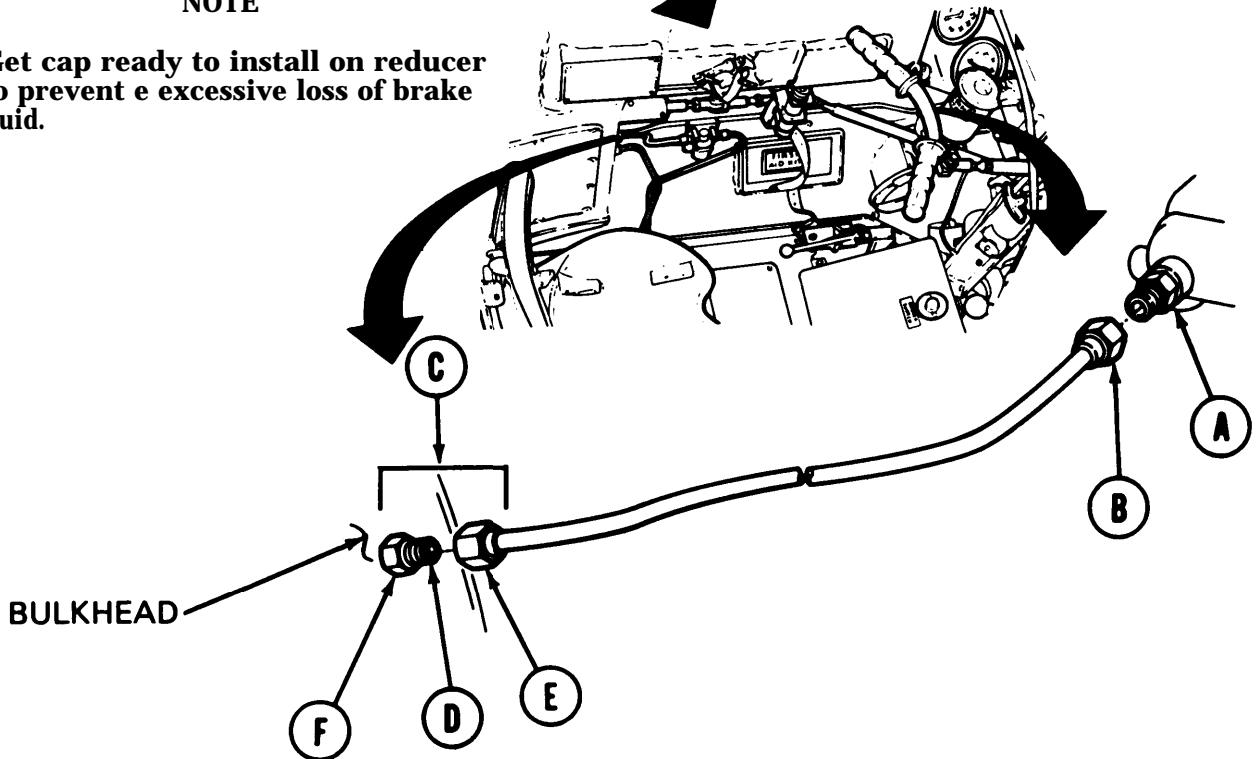
**REMOVAL:**

1. Using dry cleaning solvent and rags, clean entire tube assembly and connections at bulkhead and master cylinder.
2. Using hands, place funnel and container under reducer (A) to catch draining brake fluid.



**NOTE**

**Get cap ready to install on reducer to prevent excessive loss of brake fluid.**



3. Using 13/16 inch wrench to hold reducer (A), use 11/16 inch wrench to turn tube connecting nut (B). Cap reducer (A).

**NOTE**

**Place rags under union (C) at bulkhead to catch dripping brake fluid. Have cap ready to place on nipple (D).**

4. Using 7/8 inch wrench to hold nut (F), use 11/16 inch wrench to remove tube connecting nut (E). Install cap on nipple (D).

Go on to Sheet 3

TA169170

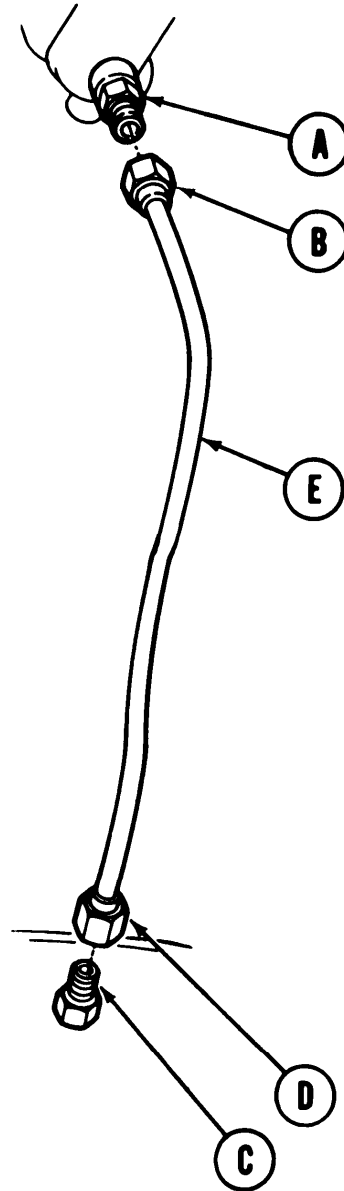
MASTER BRAKE CYLINDER-TO-BULKHEAD TUBE ASSEMBLY REPLACEMENT (Sheet 3 of 5)

CLEANING AND INSPECTION:

WARNING

**Cleaning agent specified is flammable. Use only in well ventilated areas. Keep away from flames, sparks, or heat. Do not smoke while using. Prevent contact with eyes, mouth, and/or skin. Wear rubber gloves when performing cleaning procedures.**

1. Using rags and dry cleaning solvent, clean all parts.
2. Using low pressure air, dry all parts.
3. Inspect tube reducer (A), tube connecting nut (B), nipple (C), and tube connecting nut (D) for worn threads. Replace if unserviceable.
4. Inspect tube assembly (E) for cracks, dents or holes. Replace if unserviceable.



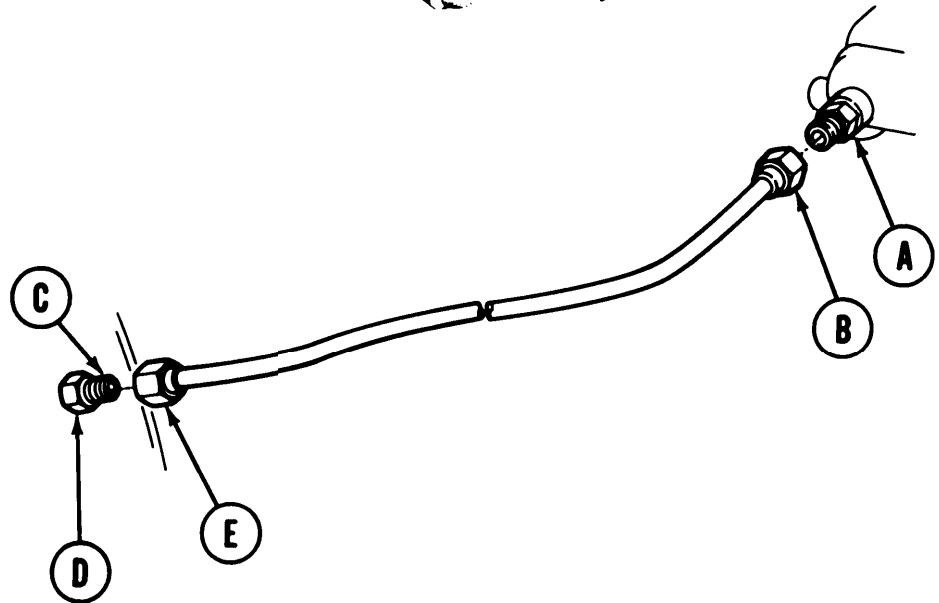
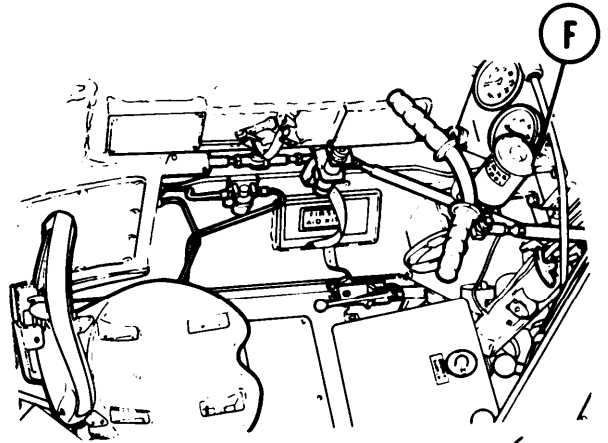


**MASTER BRAKE CYLINDER-TO-BULKHEAD TUBE ASSEMBLY REPLACEMENT (Sheet 4 of 5)****INSTALLATION:**

- Using hands, place funnel and container under reducer (A) to catch brake fluid when cap is removed.

**NOTE**

**Place tube assembly for quick installation before removal of reps.**



- Using 13/16 inch wrench to hold reducer (A), use hand to remove cap from reducer (A). Use 11/16 inch wrench to install tube connecting nut (B).
- Using 7/8 inch wrench to hold nut (D), use hand to remove cap from nipple (C). Use 11/16 inch open end wrench to install tube connecting nut (E).
- Using socket, remove filler cap (F) from master cylinder. Fill to 1/4 inch from top of opening with brake fluid. Install filler cap (F).

TA169172

**MASTER BRAKE CYLINDER-TO-BULKHEAD TUBE ASSEMBLY REPLACEMENT (Sheet 5 of 6)**

5. Bleed brakes (page 13-86).
6. Place transmission shift lever in P (park) and remove blocks from tracks (TM 5-5420-226-10).
7. Test drive vehicle (TM 5-5420 -226-10) to ensure brake system is operational.

End of Task

**BRAKE QUICK-DISCONNECT AND HOSE ASSEMBLY REPLACEMENT (Sheet 1 of 7)**

**PROCEDURE INDEX**

PROCEDURE	PAGE
Removal	13-47
Cleaning and Inspection	13-50
Installation	13-50

**TOOLS:** 9/16 in. socket with 1/2 in. drive  
 11/16 in. socket with 1/2 in. drive  
 11/16 in. combination box and open end wrench  
 13/16 in. open end wrench

Ratchet with 1/2 in. drive  
 5 in. extension with 1/2 in. drive  
 Adjustable wrench (crescent)  
 7/8 in. combination box and open end wrench

**SUPPLIES:** Drain pan  
 1/2 in. plastic plugs (5)  
 Dry cleaning solvent (Item 55, Appendix D)  
 Rags (Item 65, Appendix D)  
 Lockwasher

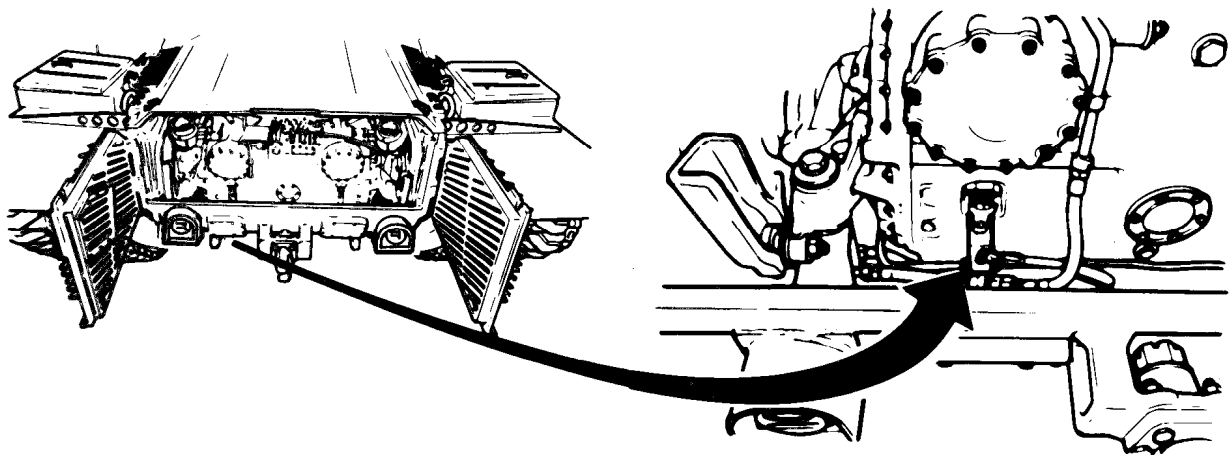
Gloves (Item 69, Appendix D)  
 Goggles (Item 70, Appendix D)

**REFERENCE:** TM 5-5420-226-10

**PRELIMINARY PROCEDURES:** Block tracks to prevent vehicle movement (TM 5-5420-226-10)  
 Place shift lever in N (neutral) position and release brakes (TM 5-5420-226-10)  
 Remove transmission shroud (page 9-2)

**NOTE**

Clean all parts and general area prior to disassembly.



BRAKE QUICK-DISCONNECT AND HOSE ASSEMBLY REPLACEMENT (Sheet 2 of 7)

REMOVAL:

1. Place rags under hose assembly (A) to absorb brake fluid.
2. Using hand, turn brake quick-disconnect (B) off coupling half (C).
3. Using adjustable wrench to hold elbow (D) and 11/16 inch wrench on nut of hose assembly (A), disconnect nut.

4. Using adjustable wrench to hold elbow (D) and 11/16 inch wrench on nut of tube assembly (E), disconnect nut and remove elbow.

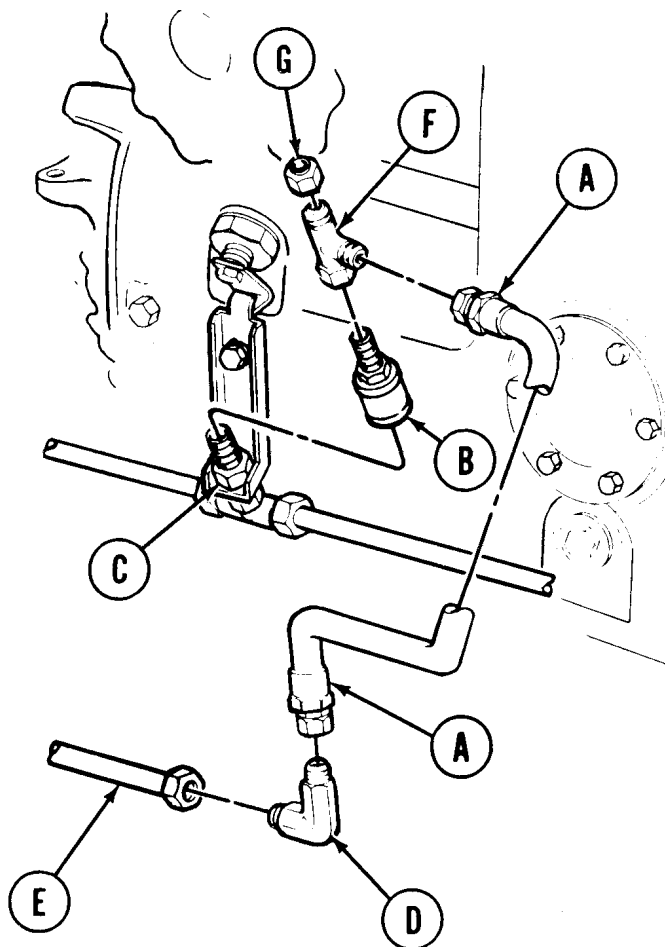
**NOTE**

Insert plastic plug in nut of tube assembly (E).

5. Using 11/16 inch wrench on nut of hose assembly (A) at tee (F), disconnect nut and remove hose assembly (A).

**NOTE**

If hose assembly (A) is not defective, insert plastic plugs in end fittings.



6. Using adjustable wrench to hold tee (F) and 11/16 inch socket on cap (G), remove cap.

7. Using 13/16 inch wrench to hold top of disconnect (B) and 11/16 inch wrench on nut of tee (F), remove tee.

Go on to Sheet 3

TA169174

## BRAKE QUICK-DISCONNECT AND HOSE ASSEMBLY REPLACEMENT (Sheet 3 of 7)

8. Using adjustable wrench to hold tee (M) and 11/16 inch wrench on nuts of tube assemblies (H and J), disconnect nuts.
9. Using 9/16 inch socket, remove screw (K) and lockwasher (L).

**NOTE**

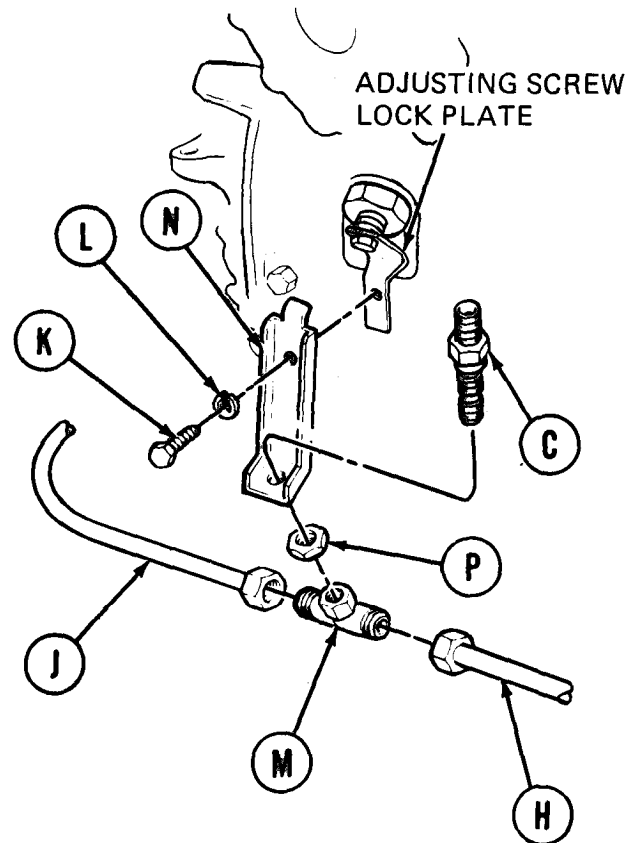
Replace screw (K) and lockwasher (L) after step 10, finger tight, to hold adjusting screw lock plate.

10. Remove parts (C, M, N, and P) as an assembly.

**NOTE**

It may be necessary to wiggle or pull tube assemblies (H or J) slightly to clear tee (M).

11. Insert plastic plug in nuts of both tube assemblies (H and J).
12. Using 13/16 inch wrench to hold coupling half (C) and 11/16 inch wrench on nut of tee (M), disconnect and remove tee (M) from bracket (N).
13. Using 13/16 inch wrench to hold coupling half (C) and 7/8 inch wrench on nut (P), remove nut (P) from coupling half (C) and bracket (N).



Go on to Sheet 4

TA169175

Change 5 13-49

**BRAKE QUICK-DISCONNECT AND HOSE ASSEMBLY REPLACEMENT (Sheet 4 of 7)**

CLEANING AND INSPECTION:

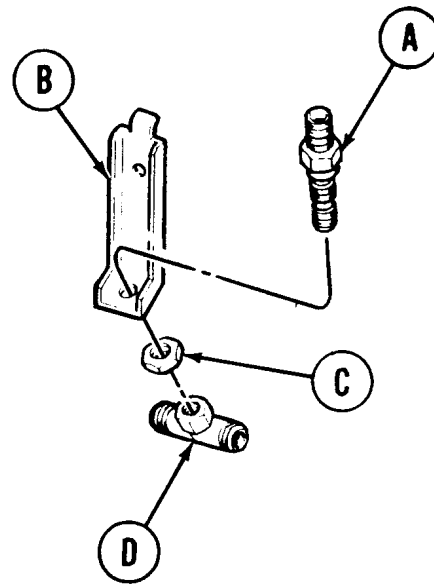
**WARNING**

Dry cleaning solvent P-D-680 is toxic and flammable. To prevent personal injury, wear protective goggles and gloves and use only in a well-ventilated area. Avoid contact with skin, eyes, and clothes and don't breathe vapors. Do not use near open flame or excessive heat. The flash point for Type #1 Dry Cleaning Solvent is 100°F (38°C) and for Type #2 is 138°F (50°C). If you become dizzy while using cleaning solvent, get fresh air immediately and get medical aid. If contact with eyes is made, wash your eyes with water and get medical aid immediately.

1. Clean all metallic parts with dry cleaning solvent.
2. Inspect all parts for damage or wear. Replace all unserviceable parts.
3. Inspect tube and hose assembly nuts for cracks. Replace tube or hose assembly if cracks are found.

INSTALLATION:

1. Insert coupling half (A) through hole in bracket (B).
2. Thread nut (C) onto coupling half (A) finger tight.
- 3. Using 13/16 inch wrench to hold coupling (A) and 7/8 inch wrench on nut (C), tighten nut.
4. Thread tee (D) on coupling half (A) finger tight.

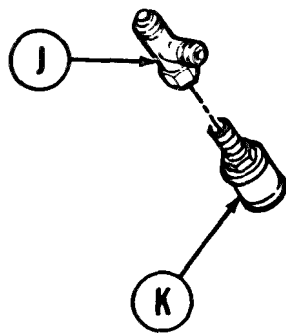
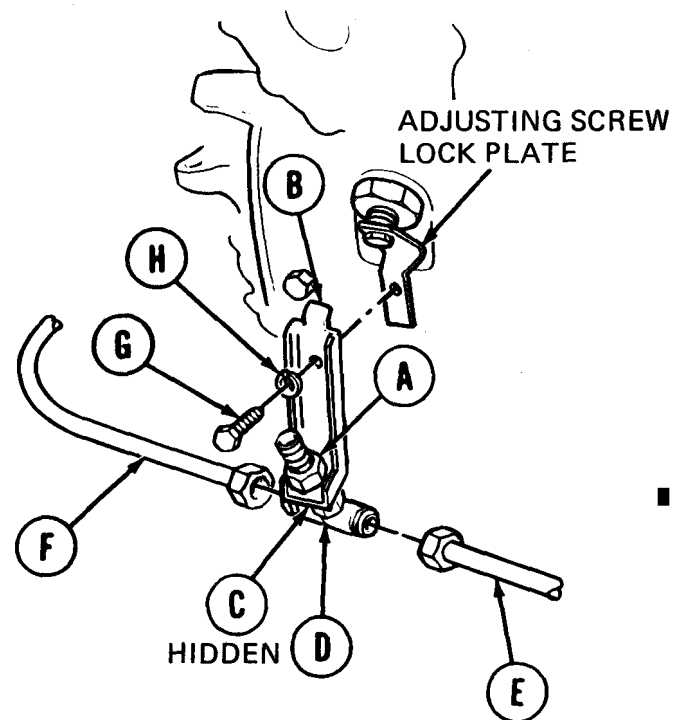


**NOTE**

Do not tighten nut of tee (D) at this time. It will have to be aligned later.

## BRAKE QUICK-DISCONNECT AND HOSE ASSEMBLY REPLACEMENT (Sheet 5 of 7)

5. Remove plastic plugs from tube assemblies (E and F) and position assembled parts (A thru D) with tee (D) between tube assemblies (E and F).
6. Tighten nuts of tube assemblies (E and F) to tee (D) finger tight.
7. Remove screw (G) and lockwasher (H) holding adjusting screw lock plate.
8. Position bracket (B) over adjusting screw lock plate. Insert screw (G) and lockwasher (H). Tighten finger tight.
9. Using 9/16 inch socket, tighten screw (G).
10. Using adjustable wrench to hold tee (D) and 11/16 inch wrench, tighten nuts of tube assemblies (E and F).
11. Using 11/16 inch wrench, tighten nut of tee (D).
12. Thread nut of tee (J) on coupling half (K) finger tight.
13. Using 13/16 inch wrench to hold coupling half (K) and 11/16 inch wrench on nut of tee (J), tighten nut.



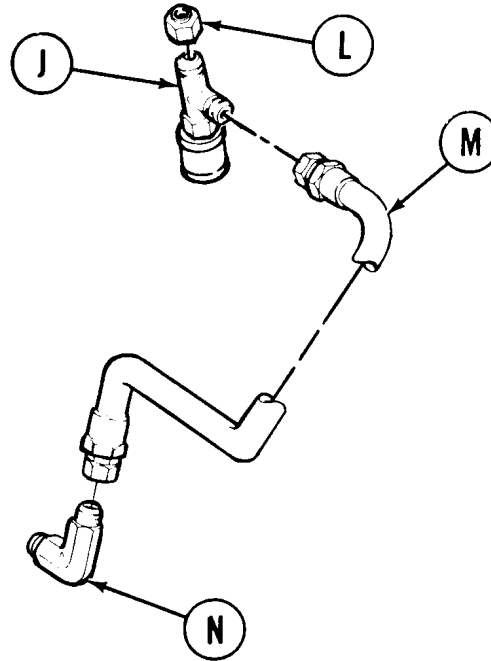
Go on to Sheet 6

TA169177

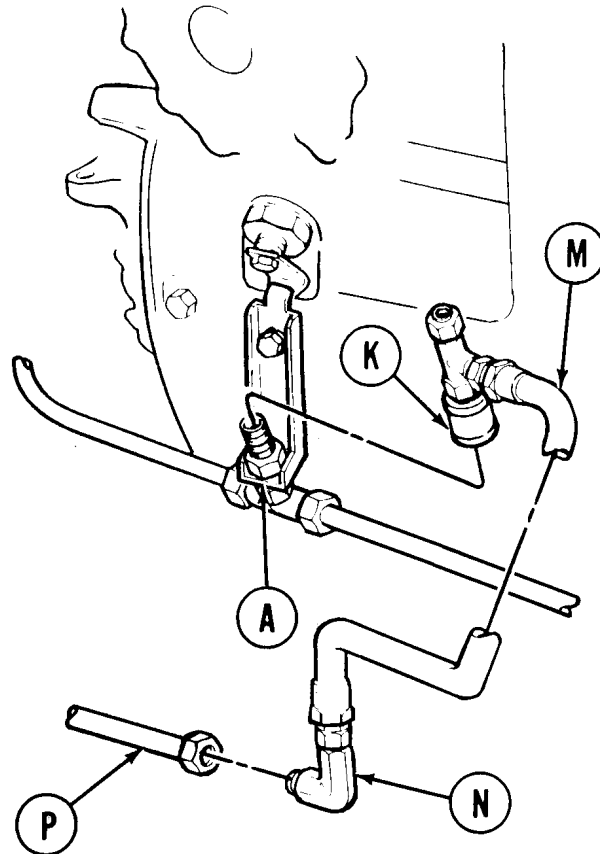
Change 5 13-51

**BRAKE QUICK-DISCONNECT AND HOSE ASSEMBLY REPLACEMENT (Sheet 6 of 7)**

14. Thread cap (L) on tee (J).
15. Using adjustable wrench to hold tee (J), use 11/16 inch wrench and tighten cap (L).
16. Thread nuts of hose assembly (M) on tee (J) and elbow (N).
17. With elbow (N) facing as shown, using adjustable wrench to hold elbow (N) and 11/16 inch wrench on nut of hose assembly (M), tighten nut.
18. Using adjustable wrench to hold tee (J) and 11/16 inch wrench on nut of hose assembly (M), tighten nut.



19. Position assembled parts (J thru N) in vehicle with elbow (N) positioned at nut of tube assembly (P). Tighten nut finger tight.
20. Using adjustable wrench to hold elbow (N) and 11/16 inch wrench on nut of tube assembly (P), tighten nut.



Go on to Sheet 7

TA249438

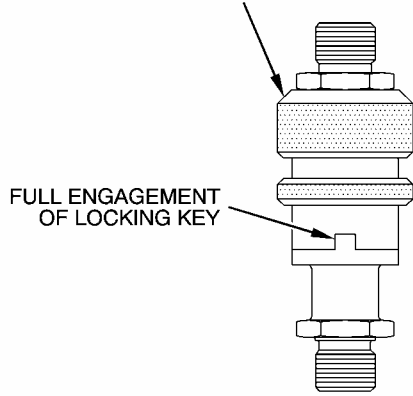


**BRAKE QUICK-DISCONNECT AND HOSE ASSEMBLY REPLACEMENT (Sheet 7 of 7)**

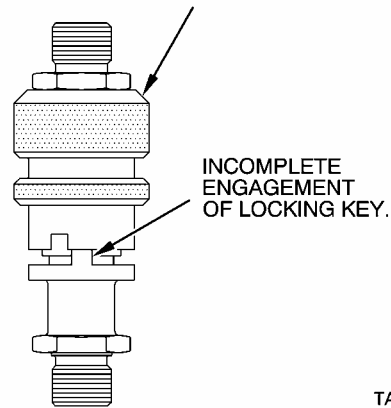
**WARNING**

Failure to correctly connect quick disconnect (full engagement) will result in brake failure and could cause serious injury or death.

FULL ENGAGEMENT OF LOCKING KEY WILL ALLOW COLLAR AND INNER ELEMENT TO BE FLUSH. COUPLING WILL NOT PULL APART WHEN YOU PULL UP ON HOSE.

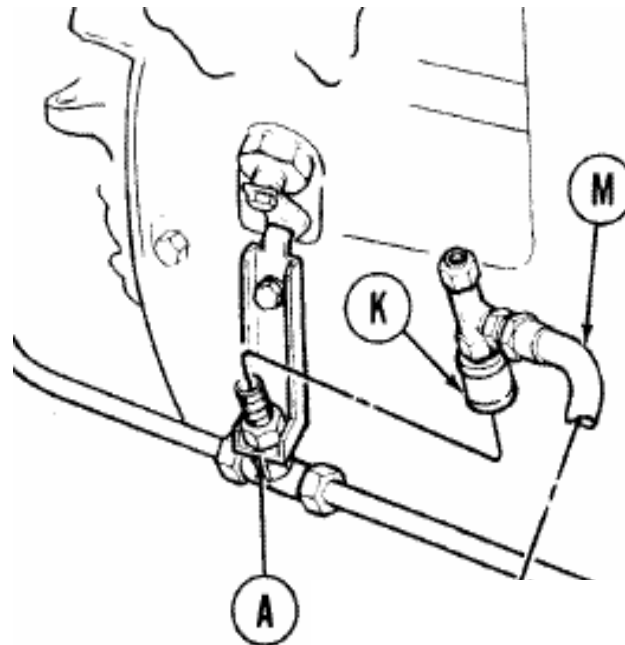


INCOMPLETE ENGAGEMENT OF LOCKING KEY WILL CAUSE THE COLLAR AND INNER ELEMENT NOT TO BE FLUSH.



TA270973

21. Use hand to connect brake quick-disconnect (K) to coupling half (A).
22. Pull up on hose assembly (M) to ensure quick-disconnect halves (K) and (A) are in full engagement.
23. Perform brake bleeding procedures (page 13-86).
24. Install transmission shroud (page 9-6).
25. Place shift lever in P (park) position and remove blocks from track (TM 5-5420-226-10).



End of Task

**BRAKE LEFT HAND SLAVE CYLINDER AND TUBE ASSEMBLY REPLACEMENT (Sheet 1 of 4)**

PROCEDURE INDEX

PROCEDURE	PAGE
Removal	13-54
Cleaning and Inspection	13-56
Installation	13-56

TOOLS: 9/16 in. socket with 1/2 in. drive  
 5 in. extension and ratchet with 1/2 in. drive  
 Putty knife  
 11/16 in. combination box and open end wrench  
 13/16 in. combination box and open end wrench

SUPPLIES: Container  
 1/2 in. plastic cap  
 Lint-free cloth (Item 12, Appendix D)  
 1/2 in. plastic plug  
 1/2 in. masking tape (Item 57, Appendix D)  
 Dry cleaning solvent (Item 55, Appendix D)  
 Gaskets

Gloves (Item 69, Appendix D)  
 Goggles (Item 70, Appendix D)

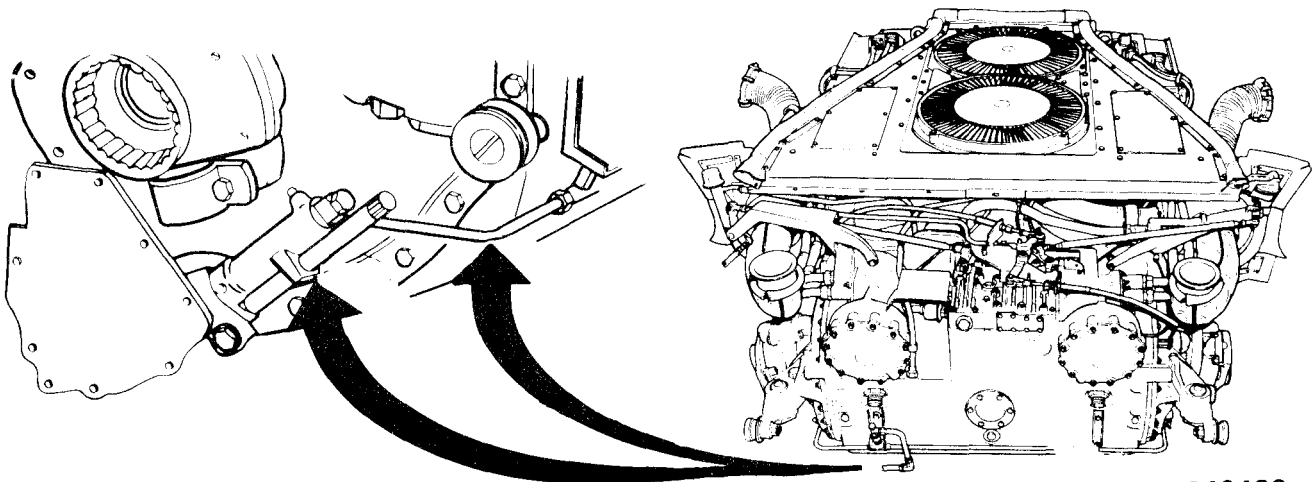
REFERENCE: TM 5-5420-226-10

PRELIMINARY PROCEDURE: Remove powerplant (page 5-2)

REMOVAL:

**NOTE**

Clean all parts and general area prior to disassembly.



Go on to Sheet 2

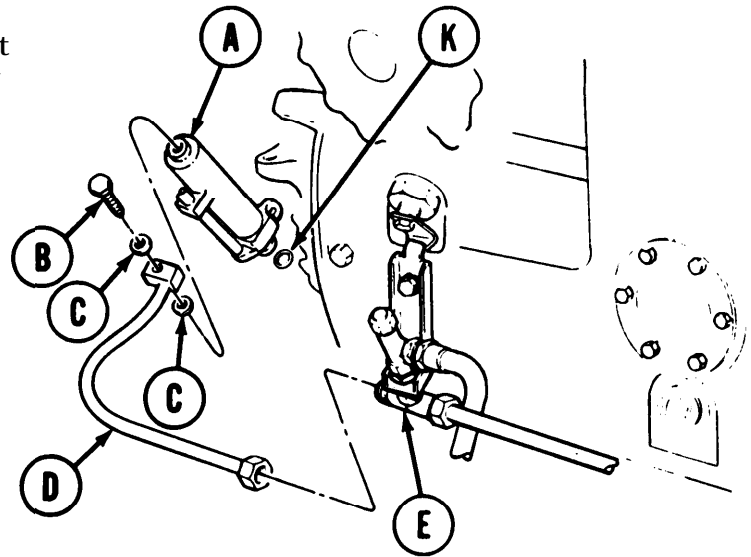
TA249439

**BRAKE LEFT HAND SLAVE CYLINDER AND TUBE ASSEMBLY REPLACEMENT (Sheet 2 of 4)**

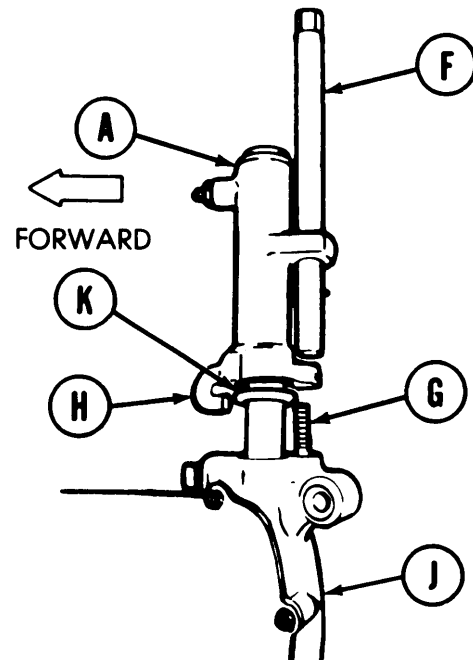
1. Position container under slave cylinder (A) to catch brake fluid.
2. Using 13/16 inch wrench, remove bolt (B) and two gaskets (C). Throw away gaskets.

**NOTE**

Allow brake fluid to drain, then throw away fluid. Check bolt (B) to make sure internal passages are open and clean.



3. Using 11/16 inch wrench, disconnect nut on tube assembly (D) from tee (E) and install plastic cap on tee.
4. Install plastic plug in nut of tube assembly (D) and masking tape over parts in other end.
5. Using 9/16 inch socket, disconnect mounting nut (F) from stud (G).
6. Move slave cylinder (A) forward and wiggle it side to side while pulling up until catch (H) clears housing assembly. Continue this procedure until it comes loose from housing assembly (J).
7. Using putty knife, remove packing (K) from groove of slave cylinder (A) and throw away.



Go on to Sheet 3

TA169180

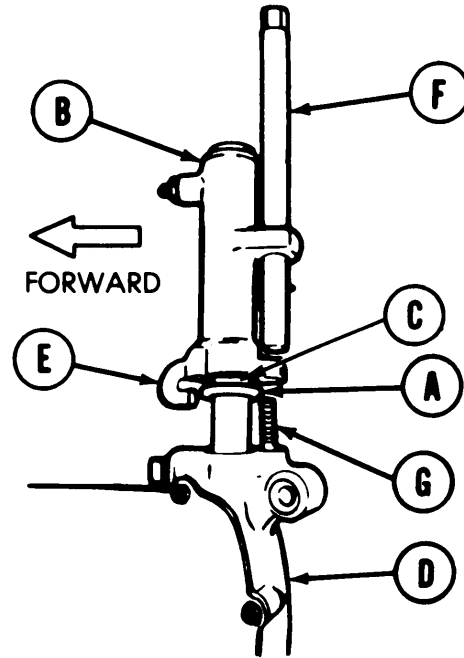
**BRAKE LEFT HAND SLAVE CYLINDER AND TUBE ASSEMBLY REPLACEMENT (Sheet 3 of 4)**

CLEANING AND INSPECTION:

**WARNING**

**Cleaning agent specified is flammable. Use only in well ventilated areas. Keep away from flames, sparks, or heat. Do not smoke while using. Prevent contact with eyes, mouth, and/or skin. Wear rubber gloves when performing cleaning procedures.**

1. Clean all metallic parts in dry cleaning solvent.
2. Inspect all parts for damage or wear. Replace all unserviceable parts.
3. Inspect tube assembly nut for cracks. Replace tube assembly if any cracks are found.

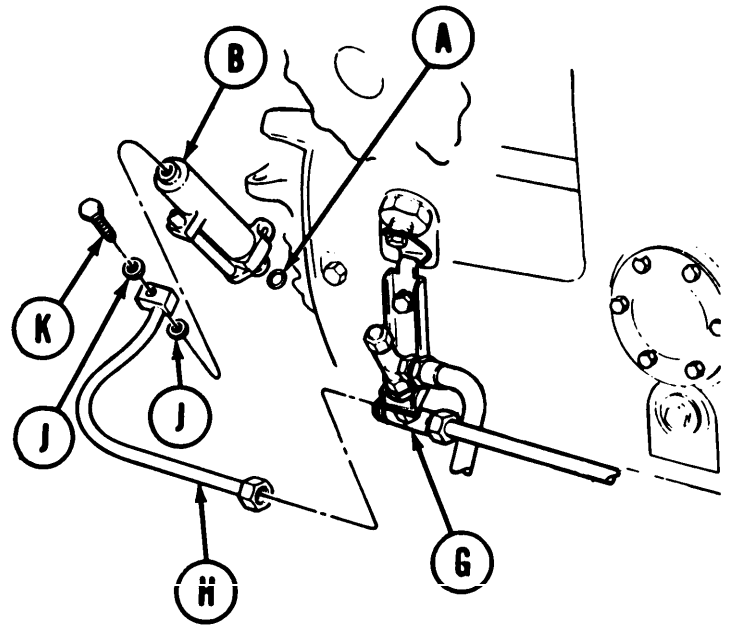


INSTALLATION:

1. Insert new packing (A) in groove of slave cylinder (B).
2. Position and slide slave cylinder (B) down over housing assembly push rod (C). Wiggle it back and forth while pushing down. Push slave cylinder (B) forward when on housing assembly (D), then pull back to make sure catch (E) engages in housing assembly (D).
3. Tighten mounting nut (F) to stud (G) finger tight.
4. Using 9/16 inch socket, tighten mounting nut (F).

**BRAKE LEFT HAND SLAVE CYLINDER AND TUBE ASSEMBLY REPLACEMENT (Sheet 4 of 4)**

5. Remove plastic cap from tee (G) and plastic plug and masking tape from tube assembly (H).
6. Thread nut of tube assembly (H) on tee (G) finger tight.
7. Position two new gaskets (J) and end of tube assembly (H) over part in slave cylinder (B).
8. Insert bolt (K) and tighten finger tight.
9. Using 13/16 inch wrench, tighten bolt (K).
10. Using 11/16 inch wrench, tighten nut of tube assembly (H) to tee (G).
11. Install powerplant (page 5-14).
12. Perform brake bleeding procedure (page 13-86).
13. Place shift lever in P (park) position and remove blocks from track (TM 5-5420-226-10).



End of Task

**BRAKE RIGHT HAND SLAVE CYLINDER AND TUBE ASSEMBLY REPLACEMENT (Sheet 1 of 6)**

PROCEDURE INDEX

PROCEDURE	PAGE
Removal	13-58
Cleaning and Inspection	13-60
Installation	13-61

**TOOLS:** Ratchet with 1/2 in. drive  
5 in. extension with 1/2 in. drive  
9/16 in. socket with 1/2 in. drive  
7/16 in. socket with 1/2 in. drive  
11/16 in. combination box and open end wrench  
Putty knife  
13/16 in. combination box and open end wrench

**SUPPLIES:** Container  
1/2 in. plastic cap  
1/2 in. plastic plug  
1/2 in. masking tape (Item 57, Appendix D)  
Dry cleaning solvent (Item 55, Appendix D)  
Rags (Item 65, Appendix D)  
Gasket (AN 901-6C)(2 required)

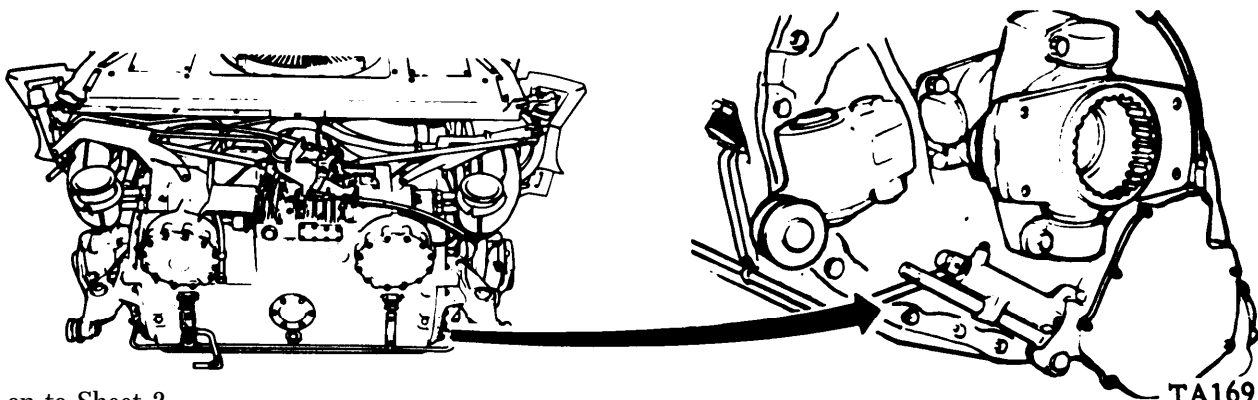
**REFERENCE:** TM 5-5420-226-10

**PRELIMINARY PROCEDURE:** Remove powerplant (page 5-2)

**REMOVAL:**

**NOTE**

**Clean all parts and general area prior to disassembly.**



Go on to Sheet 2

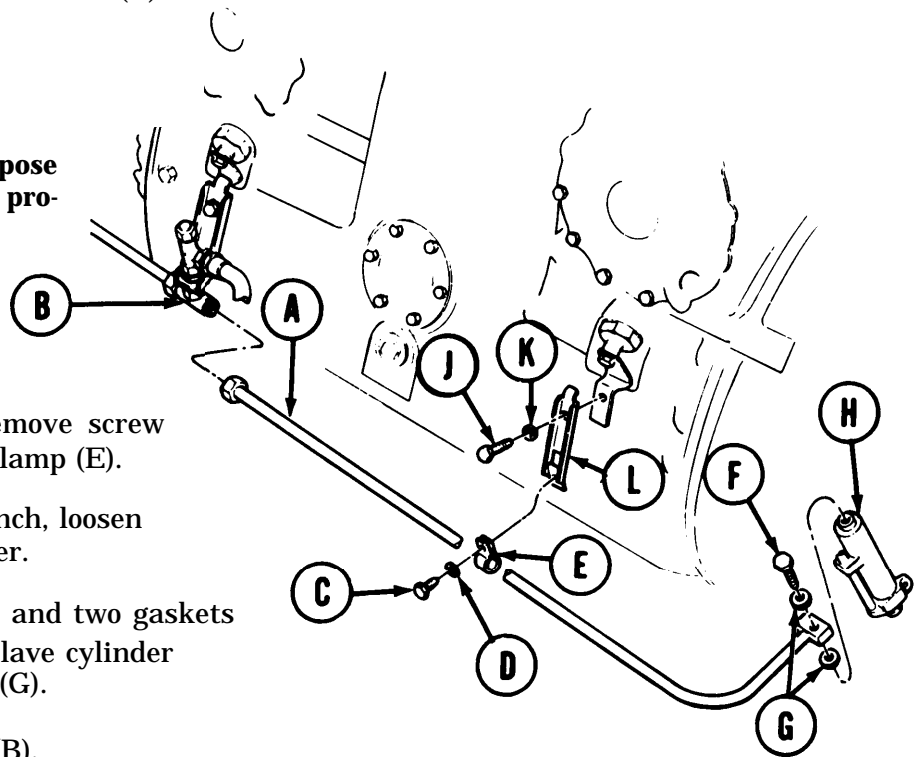
TA169183

**BRAKE RIGHT HAND SLAVE CYLINDER AND TUBE ASSEMBLY REPLACEMENT (Sheet 2 of 6)**

1. Position container under tube (A) and tee (B) to catch brake fluid.
2. Using 11/16 inch wrench, disconnect nut of tube assembly (A) from tee (B).

**NOTE**

**Allow brake fluid to drain. Dispose of fluid in accordance with local procedures.**



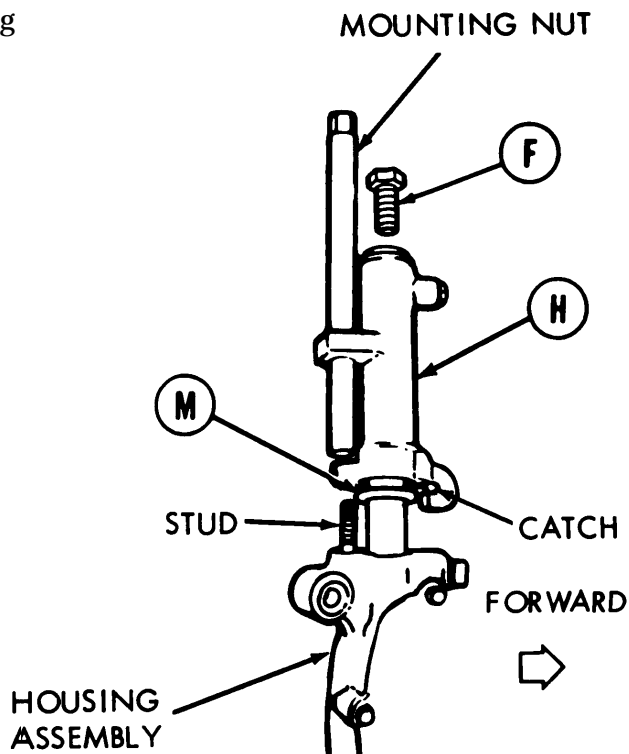
3. Using 7/16 inch socket, remove screw (C), lockwasher (D), and clamp (E).
4. Using 13/16 inch box wrench, loosen bolt (F) from slave cylinder.
5. Remove bolt (F), tube (A), and two gaskets (G) as an assembly from slave cylinder (H). Throw away gaskets (G).
6. Install plastic cap on tee (B).
7. Install plastic plug in nut of tube assembly (A) and masking tape on parts in other end.
8. Using 9/16 inch socket, remove screw (J), lockwasher (K), and bracket (L).

**NOTE**

**Replace screw (J) and lockwasher (K) to hold adjusting screw lock plate in place until installation of bracket (L).**

**BRAKE RIGHT HAND SLAVE CYLINDER AND TUBE ASSEMBLY REPLACEMENT (Sheet 3 of 6)**

9. Using 9/16 inch mcket, disconnect mounting nut from stud.
10. Move slave cylinder (H) forward and wiggle it side to side while pulling up until catch clears housing assembly. Continue this procedure until it comes loose from housing assembly.
11. Remove slave cylinder (H).
12. Using putty knife, remove packing (M) from groove of slave cylinder (H) and throw away packing.



CLEANING AND INSPECTION:

**WARNING**

**Cleaning agent specified is flammable. Use only in well ventilated areas. Keep away from flames, sparks, or heat. Do not smoke while using. Prevent contact with eyes, mouth, and/or skin. Wear rubber gloves when performing cleaning procedures.**

1. Clean all metallic parts in dry cleaning solvent.
2. Inspect all parts for damage or wear. Replace all unserviceable parts.
3. Inspect tube assembly nut for cracks. Replace tube assembly if any cracks are found.
4. Check bolt (F) for open and clean internal passages.

Go on to Sheet 4

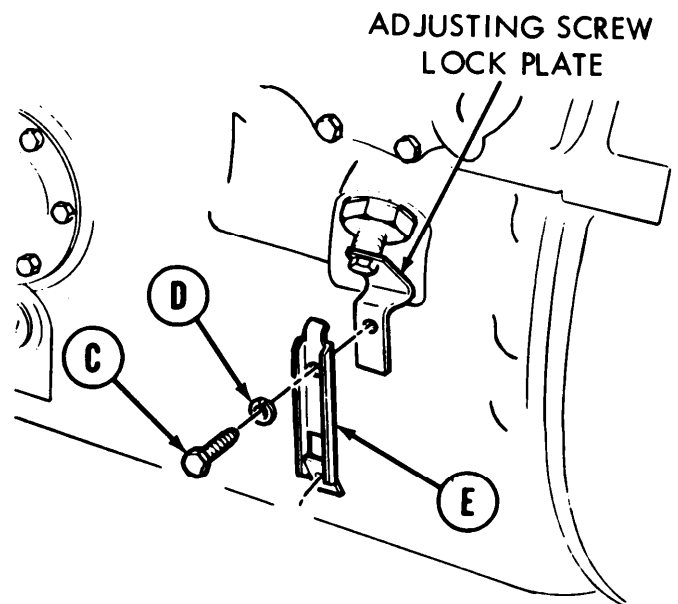
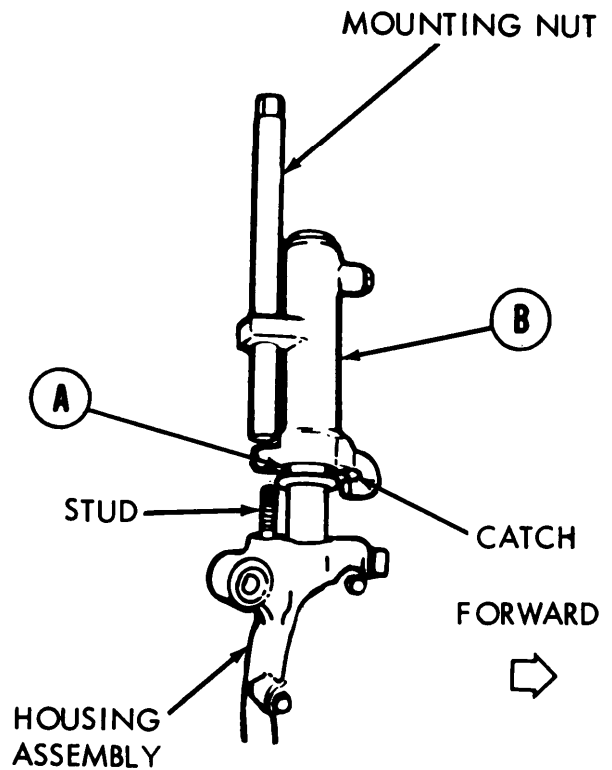
TA169185



**BRAKE RIGHT HAND SLAVE CYLINDER AND TUBE ASSEMBLY REPLACEMENT (Sheet 4 of 6)**

**INSTALLATION:**

1. Insert new packing (A) in groove of slave cylinder (B).
2. Position and slide slave cylinder (B) down over housing assembly push rod. Wiggle it back and forth while pushing down. Push slave cylinder forward when on housing assembly, then pull back to make sure catch engages in housing assembly.
3. Tighten mounting nut to stud, finger tight.
4. Using 9/16 inch socket, tighten mounting nut.
5. Using 9/16 inch socket, remove screw (C) and lockwasher (D) from adjusting screw lock plate.
6. Position and align adjusting screw lock plate and bracket (E). Insert screw (C) and lockwasher (D) finger tight.
7. Using 9/16 inch socket, tighten screw (c).

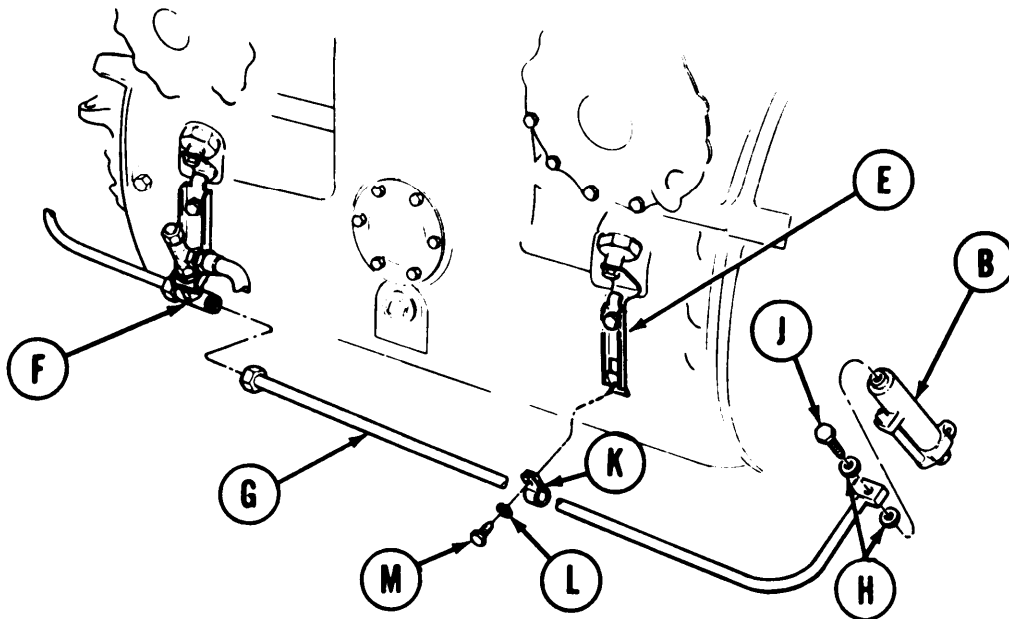


Go on to Sheet 5

TA169186

**BRAKE RIGHT HAND SLAVE CYLINDER AND TUBE ASSEMBLY REPLACEMENT (Sheet 5 of 6)**

8. Remove plastic cap from tee (F) and plastic plug and masking tape from tube assembly (G).
9. Thread nut of tube assembly (G) on tee (F) finger tight.
10. Position two new gaskets (H), bolt (J), and end of tube assembly (G) as an assembly over hole in slave cylinder (B).
11. Insert bolt (J) and tighten finger tight.



12. Using 13/16 inch wrench, tighten bolt (J).
13. Using 11/16 inch wrench, tighten nut of tube assembly (G) to tee (F).
14. Place clamp (K) over tube assembly (G) and position clamp on bracket (E).
15. Place lockwasher (L) on screw (M) and insert through clamp (K) and bracket (E). Tighten finger tight.
16. Using 7/16 inch socket, tighten screw (M).

Go on to Sheet 6

TA169187

**BRAKE RIGHT HAND SLAVE CYLINDER AND TUBE ASSEMBLY REPLACEMENT (Sheet 6 of 6)**

17. Install powerplant (page 5-14).
18. Perform brake bleeding procedure (page 13-86).

End of Task

**BRAKE CONTROL HOUSING REPAIR (Sheet 1 of 14)**

PROCEDURE INDEX

PROCEDURE	PAGE
Removal	13-64
Cleaning and Inspection	13-70
Installation	13-70

- TOOLS:**
- |  |  |
|--|--|
| Retaining ring pliers (external)                     | 7/16 in. socket with 1/2 in. drive                         |
| 6 in. steel rule                                     | Ratchet with 1/2 in. drive                                 |
| 1/4 in. drive punch                                  | Slip joint pliers  |
| 1/2 in. drive punch                                  | 15/16 in. open end wrench                                  |
| Hammer   | 15/16 in. socket with 1/2 in. drive                        |
| 7/8 in. combination box and open end wrench          | 9/16 in. socket with 1/2 in. drive                         |
| 9/16 in. combination box and open end wrenches (two) | Torque wrench with 1/2 in. drive (0-175 lb-ft) (0-237 N•m) |
| 3/4 in. socket with 1/2 in. drive                    | 5 in. extension with 1/2 in. drive                         |
|  | 9/16 in. deep well socket with 1/2 in. drive               |

- SUPPLIES:**
- Cotter pins (two)
  - Gasket 10911888
  - Preformed packings MS28775-112 (6 required)
  - Dry cleaning solvent (Item 55, Appendix D)
  - Shims 11655170
  - Rags (Item 65, Appendix D)
  - Stud

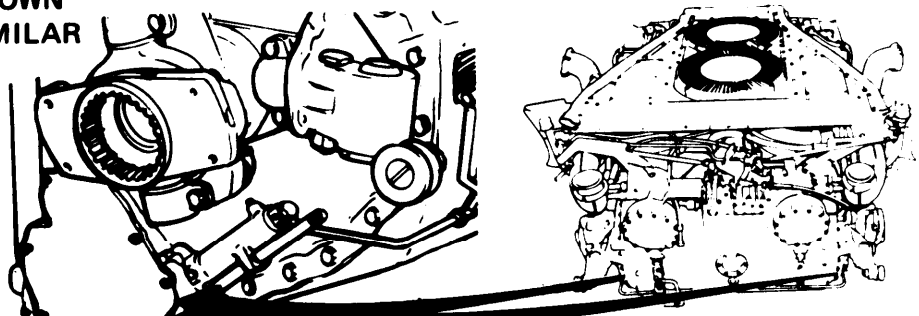
- PRELIMINARY PROCEDURES:**
- Remove powerplant (page 5-2)
  - Remove slave cylinders (pages 13-54, 13-58) (as applicable)

**REMOVAL:**

**NOTE**

**Clean all parts and general area prior to disassembly**

**LEFT SIDE SHOWN  
RIGHT SIDE SIMILAR**



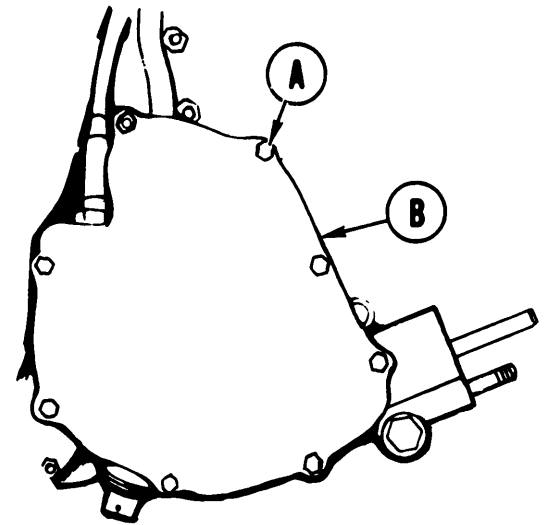
Go on to Sheet 2

TA169188

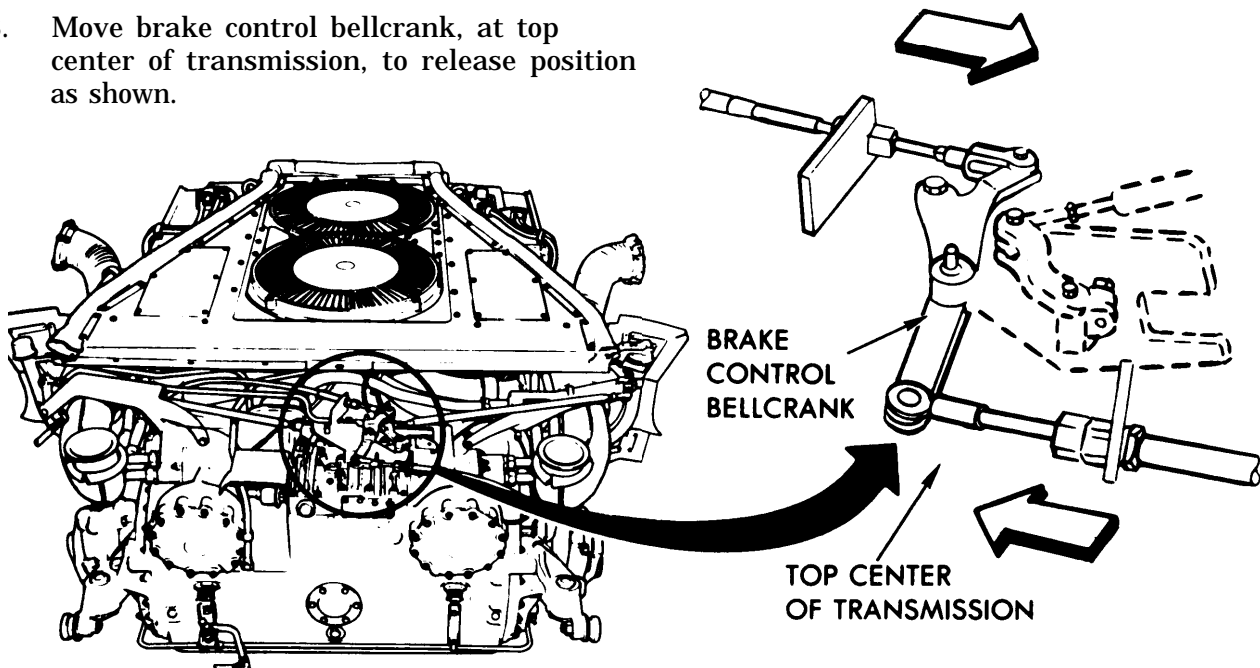
**BRAKE CONTROL HOUSING REPAIR (Sheet 2 of 14)****NOTE**

**This task is for left hand brake control housing. Procedure for right hand housing is exactly the same.**

1. Using 7/16 inch socket, remove eight nuts and lockwashers (A).
2. Remove cover and gasket (B). Throw gasket away.



3. Move brake control bellcrank, at top center of transmission, to release position as shown.

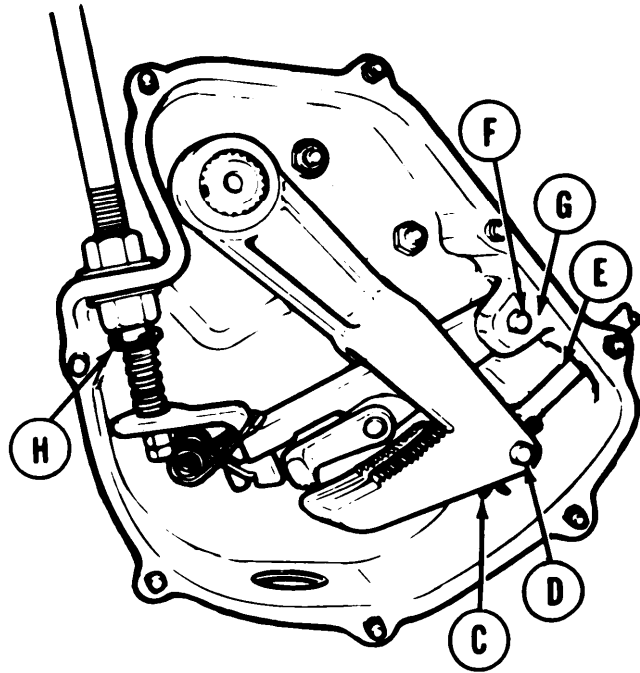


Go on to Sheet 3

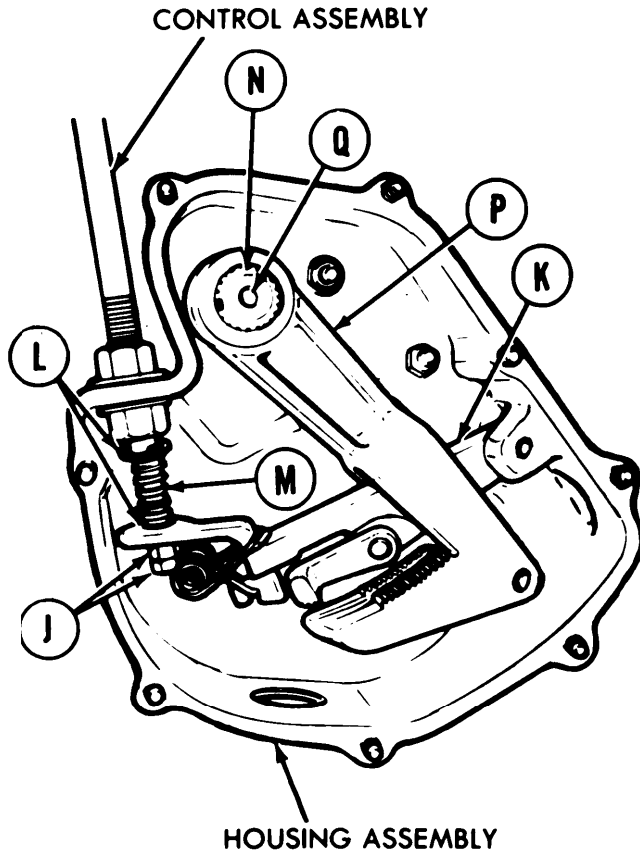
TA169189

**BRAKE CONTROL HOUSING REPAIR (Sheet 3 of 14)**

4. Using pliers, remove cotter pin (C). Throw cotter pin away.
5. Remove pin (D) by pulling out. Remove push rod (E).
6. Using pliers, pull pin (F) from housing clevis (G).
7. Using pliers, remove cotter pin (H). Throw cotter pin away.



8. Using two 9/16 inch wrenches, remove two nuts (J) by removing lower nut first while holding upper one.
9. Move lever assembly (K) clear of control assembly and remove two washers (L) and spring (M).
10. Using retaining ring pliers, remove snap ring (N).
11. Slide lever (P) off shaft (Q) and remove lever (P) and lever assembly (K) with attached parts from control housing.



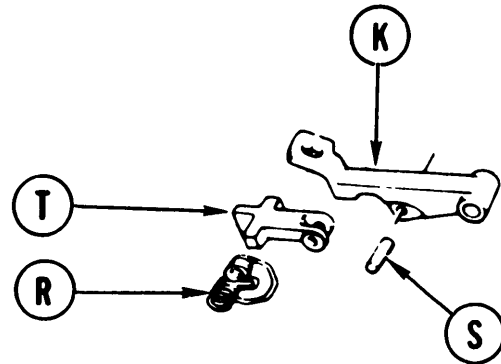
Go on to Sheet 4

TA169190

**BRAKE CONTROL HOUSING REPAIR (Sheet 4 of 14)**

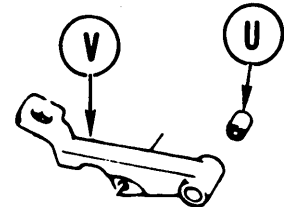
12. Remove spring (R) from lever assembly (K).

13. Place lever assembly (K) in a vise.

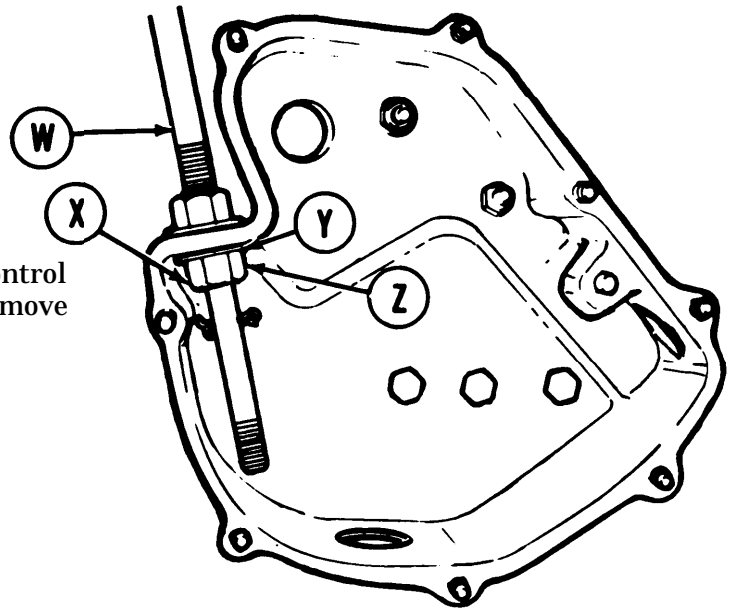


14. Using 1/4 inch punch and hammer, drive out pin (S) and remove pawl (T).

15. Using 1/2 inch punch and hammer, drive bearing (U) out of lever (V).



16. Using 9/16 inch wrench on flats of control assembly (W) and 7/8 inch wrench, remove nut (X) packing with retainer (Y) and packing (Z) (inside nut) from control assembly (W). Throw packings away.



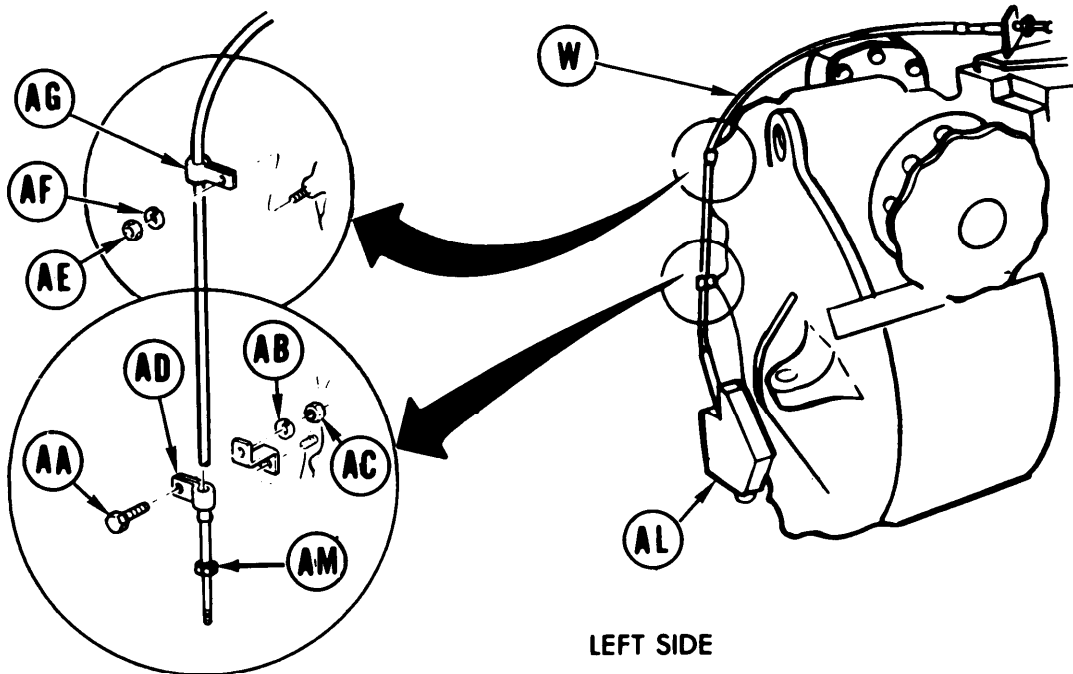
Go on to Sheet 5

TA169191

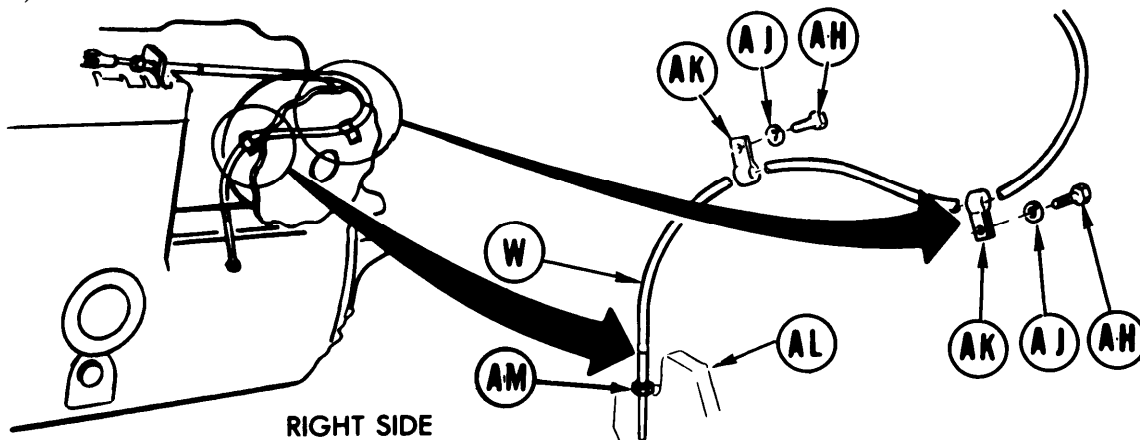
**BRAKE CONTROL HOUSING REPAIR (Sheet 5 of 14)**

**NOTE**

**If left control cable is to be removed, perform steps 17 and 18. For right control cable perform step 19.**



17. Using 7/16 inch socket, remove screw (AA), lockwasher (AB), and nut (AC) releasing clamp (AD).
18. Using 3/4 inch socket and extension, remove nut (AE) and washer (AF) releasing clamp (AG).



19. Using 3/4 inch socket, remove two screws (AH) and washers (AJ) releasing clamps (AK).
20. Pull control assembly (W) from housing assembly (AL).
21. Using 9/16 inch wrench on flats of control assembly (W), use 15/16 inch wrench and remove nut (AM).

Go on to Sheet 6

TA169192

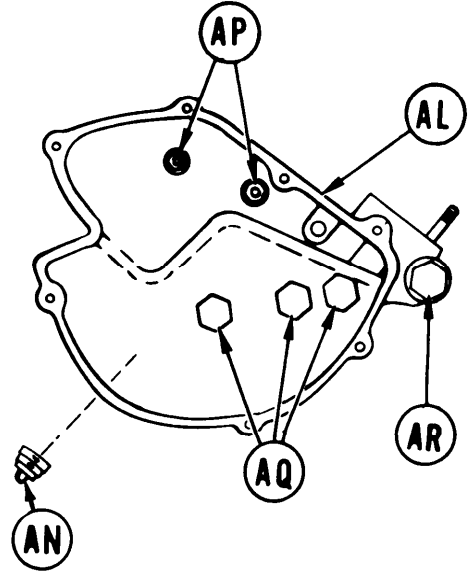


**BRAKE CONTROL HOUSING REPAIR (Sheet 6 of 14)**

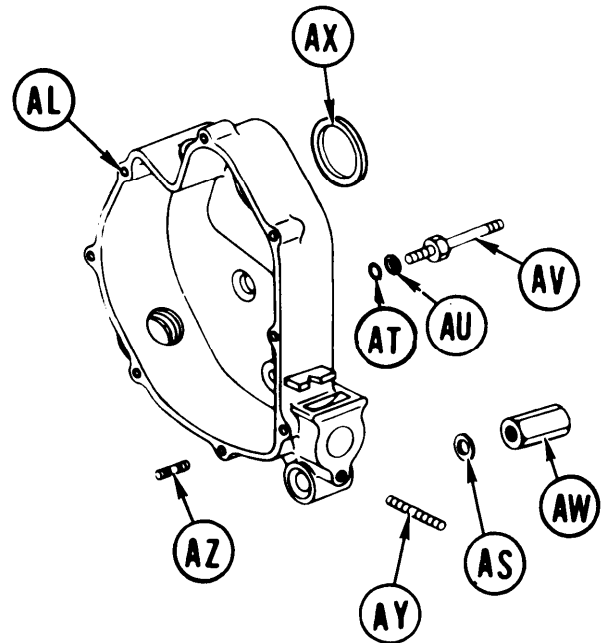
22. Using 15/16 inch wrench, remove plug (AN).
23. Using 9/16 inch socket with extension, remove two nuts, lockwashers, and flat washers (AP).

**NOTE**

**Shims are located between housing assembly (AL) and transmission on bolts (AQ and AR), be careful when removing control housing so as not to lose shims.**



24. Using 15/16 inch socket and extension, remove three bolts and packings (AQ) (under head) and bolt (AR). Throw packings away.
25. Remove housing assembly (AL) and shims (AS).
26. Remove two packings (AT) and shims (AU). Throw packings away.
27. Using 9/16 inch deep well socket, remove two studs (AV).
28. Using 3/4 inch socket, remove four spacer nuts (AW).
29. Remove gasket (AX). Throw gasket away.
30. Remove stud (AY) and eight studs (AZ).



Go on to Sheet 7

TA169193

**BRAKE CONTROL HOUSING REPAIR (Sheet 7 of 14)**

CLEANING AND INSPECTION:

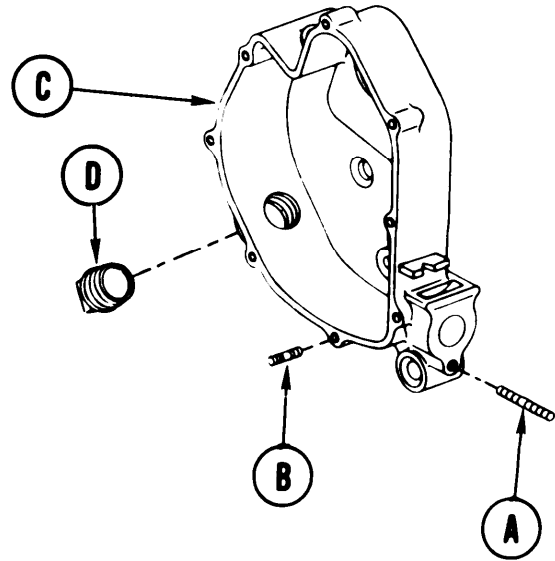
**WARNING**

Cleaning agent specified is flammable. Use only in well ventilated areas. Keep away from flames, sparks, or heat. Do not smoke while using. Prevent contact with eyes, mouth, and/or skin. Wear rubber gloves when performing cleaning procedures.

1. Clean all metallic parts in dry cleaning solvent.
2. Inspect all parts for damage or wear.
3. Replace all unserviceable parts.

INSTALLATION:

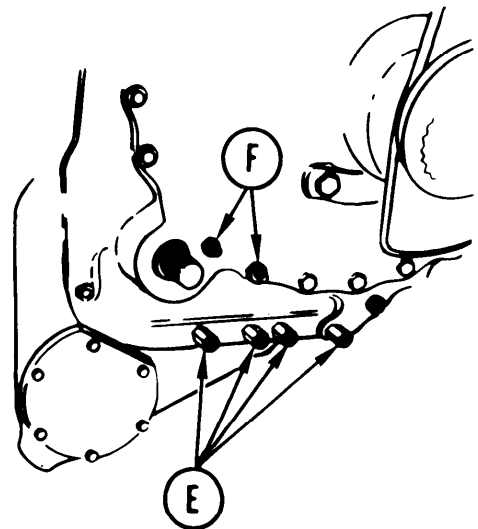
1. Install stud (A) and eight studs (B) in housing assembly (C).
2. Using 15/16 inch wrench, install plug (D) in housing assembly (C).



**NOTE**

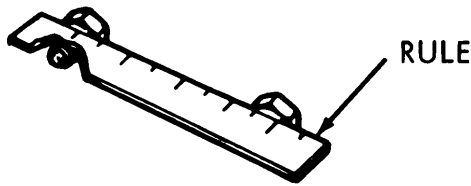
**If new transmission has been installed, remove four nuts and lockwashers from spacer nut (E) locations, and two screws and lockwashers from stud (F) locations.**

3. Using 9/16 inch deep well socket, install two studs (F). Using 9/16 inch socket and torque wrench, tighten to 20-25 lb-ft (27-34 N•m).
4. Using 3/4 inch socket, install four spacer nuts (E). Using 3/4 inch socket and torque wrench, tighten to 55-60 lb-ft (74-81 N•m).



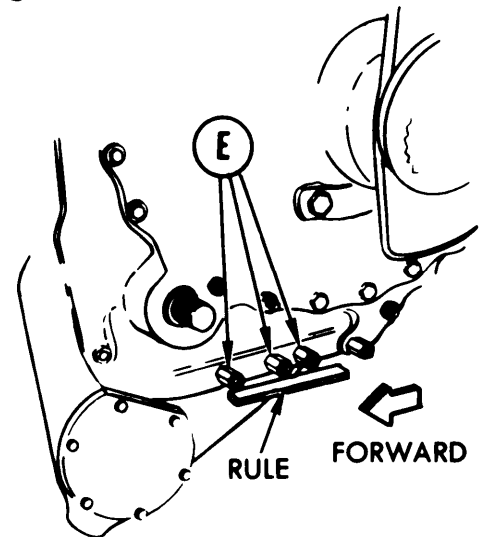
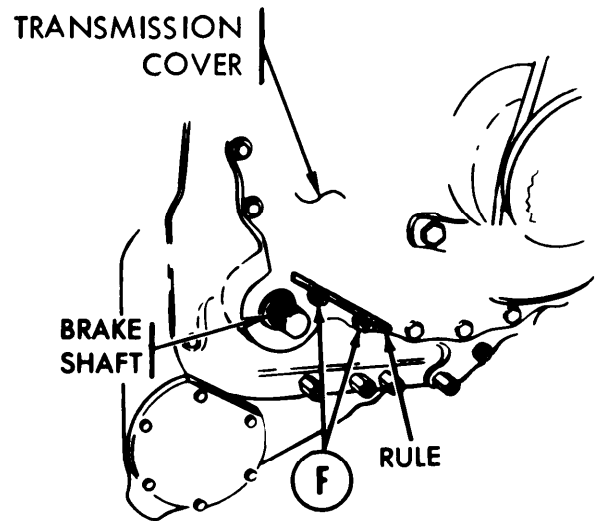
**BRAKE CONTROL HOUSING REPAIR (Sheet 8 of 14)**

- Using rule, check that top surface of hex on stud (F) (the one closest to brake shaft) stands out beyond transmission cover surface.



**NOTE**

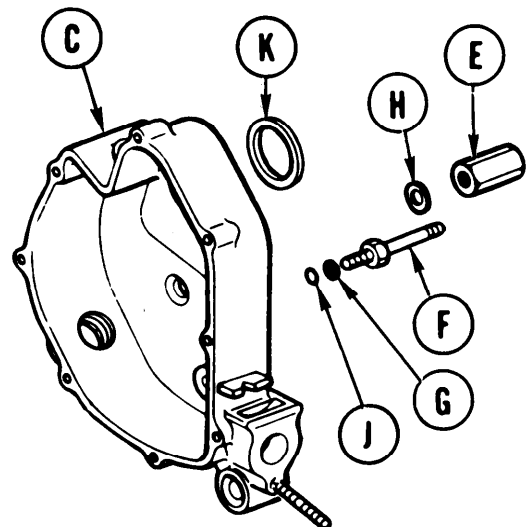
If hex of stud (F) (the one closest to brake shaft) does not stand out beyond transmission cover surface, add shims (G). If shims are added, an equal number should be added to the other stud (F) (the one farthest from brake shaft).



- Using rule, check that end surfaces of three forward spacer nuts (E) are equal in height. If they are not, add shims (H) as necessary between spacer nuts (E) and housing assembly (C).

- Place shim (G) and new packing (J) on each stud (F).

- Position new gasket (K) in groove of housing assembly (C).

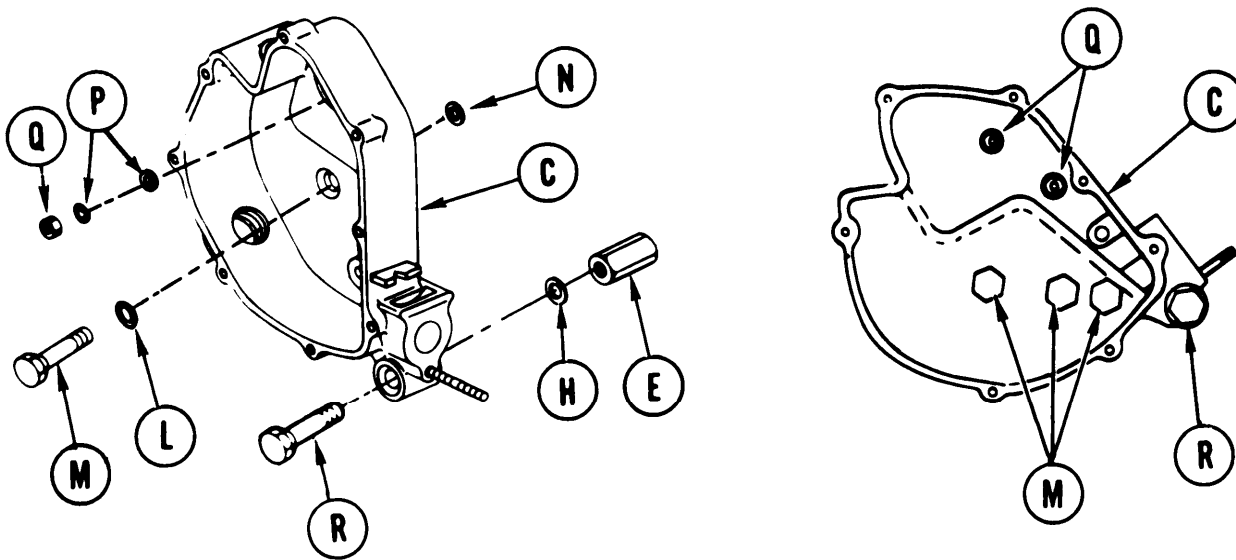


Go on to Sheet 9

TA169195

**BRAKE CONTROL HOUSING REPAIR (Sheet 9 of 14)**

9. Place new packings (L) on three bolts (M) and insert bolts in housing assembly (C).
10. Place one shim (N) on each bolt (M) (on back side of brake housing (C)) in addition to any shims added in step 6.
11. Carefully position housing assembly (C) on transmission and start each bolt (M). Tighten finger tight.
12. Place a flat washer and lockwasher (P) and nut (Q) on each of two studs. Tighten finger tight.



13. With housing assembly (C) firmly positioned, insert as many shims (H) as necessary to fill gap between brake housing and spacer nut (E).
14. Insert bolt (R) (no packing under head) and tighten finger tight.
15. Using torque wrench, extension, and 9/16 inch socket, tighten two nuts (Q) to 20-25 lb-ft (27-34 N•m).
16. Using torque wrench, extension and 15/16 inch socket, tighten three bolts (M) to 55-60 lbft (74-81 N•m). Tighten bolt (R) to 20-25 lb-ft (27-34 N•m).

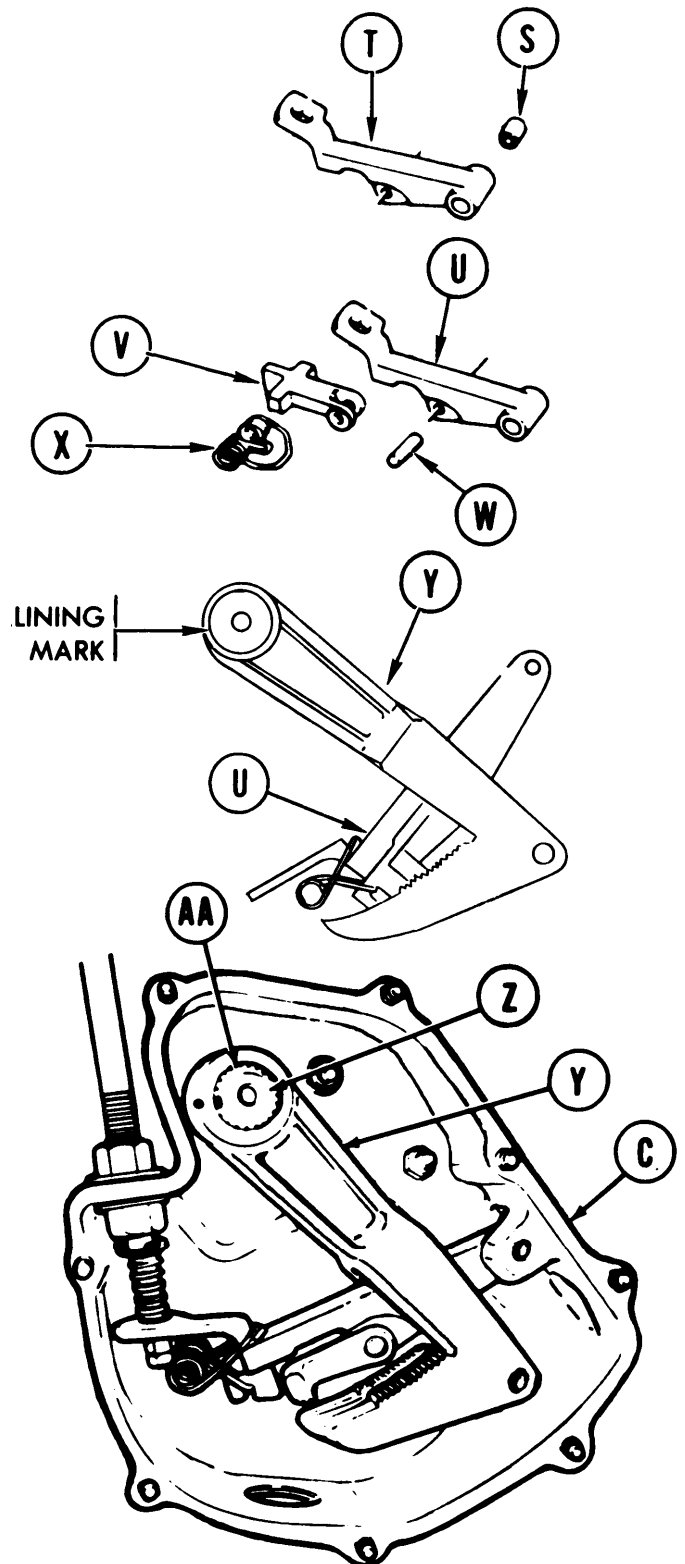
**BRAKE CONTROL HOUSING REPAIR (Sheet 10 of 14)**

17. Using vise, press bearing (S) into lever (T).

18. Position lever (U) assembly on pawl (V) and start pin (W) through pawl and lever assembly. Position in vise and press pin through.

19. Place large loop of spring (X) over end of lever assembly (U) and other loop over end of pawl (V).

20. Insert lever assembly (U) with its attached parts through cut out in lever (Y).



**NOTE**

**When installing lever (Y) in housing assembly (C) make sure aligning mark (dot) on lever (Y) is in line with wide slot in shaft (Z).**

21. Slide lever (Y) with its assembled parts on shaft (z).
22. Using retaining ring pliers, install snap ring (AA) in groove of shaft (Z).

Go on to Sheet 11

TA169197

**BRAKE CONTROL HOUSING REPAIR (Sheet 11 of 14)**

23. Insert push rod(AB) through hole in housing and position in clevis of lever (Y).

24. Insert pin (AC) and, using pliers, install new cotter pin (AD).

25. Thread nut (AE) all the way on control assembly (AF) to provide enough threads for parts (AG thru AJ).

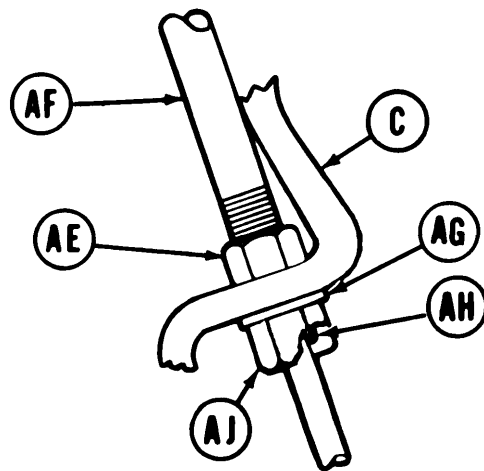
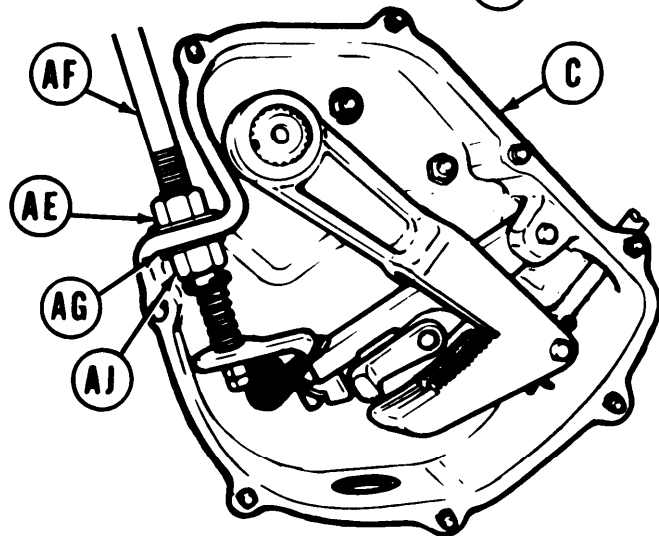
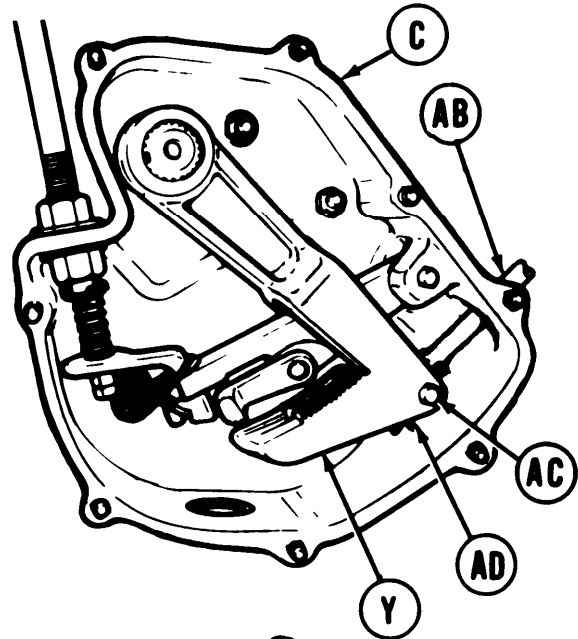
26. Insert end of control assembly (AF) through hole of housing assembly (C).

27. Place new packing with retainer (AG) on control assembly (AF).

28. Place new packing (AH) on control assembly (AF).

29. Thread nut (AJ) on control assembly (AF) tighten fingertight.

30. Using a 9/16 inch wrench on flats of control assembly (AF) and 7/8 inch wrench on nut (AJ), tighten nut until nut and packing bottom on shoulder of housing assembly.



Go on to Sheet 12

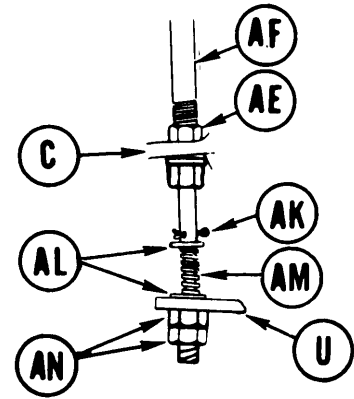
TA169198

**BRAKE CONTROL HOUSING REPAIR (Sheet 12 of 14)**

31. Using a 9/16 inch wrench a flats of ccontrol assembly (AF) and a 15/16 inch wrench on nut (AE), tighten nut.

32. Using pliers, install new cotter pin (AK).

33. Position two washers (AL) and spring (AM) on control assembly (AF).

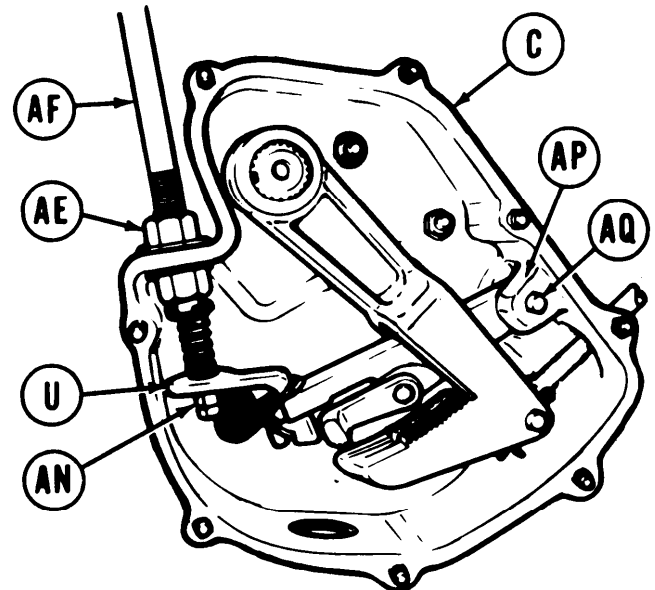


34. Position lever assembly (U) on control assembly (AF) and thread two nuts (AN) on control assembly fingertight.

**NOTE**

**Do not tighten nuts (AN). They will be tightened during adjustment procedure.**

35. Position lever assembly (U) in housing clevis (AP) and, using pliers, insert pin (AQ).



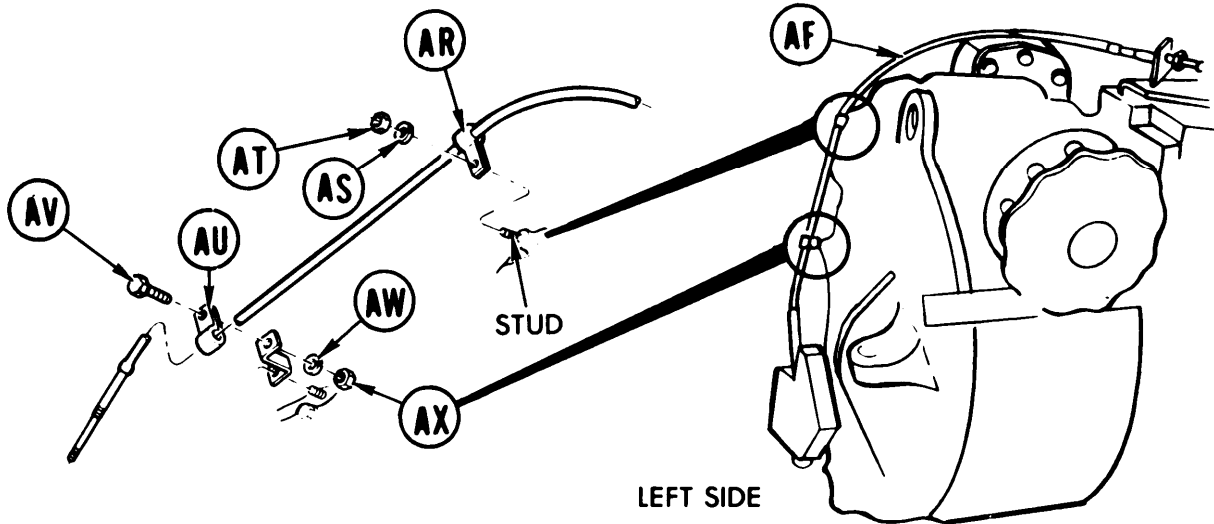
Go on to Sheet 13

TA169199

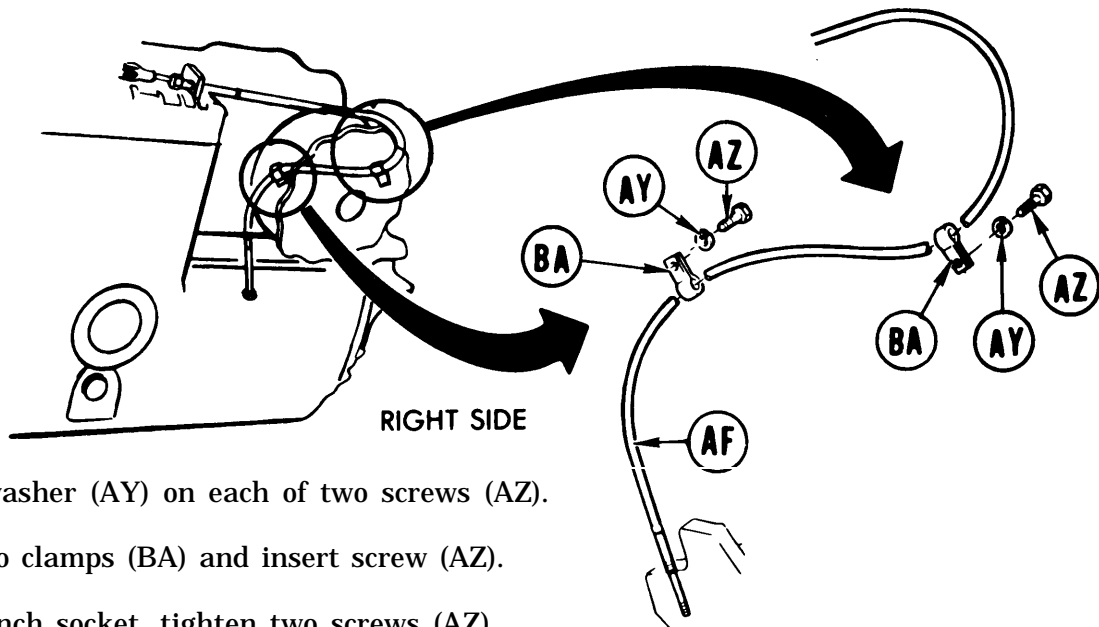
**BRAKE CONTROL HOUSING REPAIR (Sheet 13 of 14)**

**NOTE**

**If left control cable (AF) was removal, perform steps 36 thru 40. For right control cable perform steps 41 thru 43.**



36. Position clamp (AR) on stud, add lockwasher (AS) and nut (AT), and tighten finger tight.
37. Using 3/4 inch socket and extension, tighten nut (AT).
38. Position clamp (AU) and insert screw (AW).
39. Place lockwasher (AW) and nut (AX) on screw (AV) finger tight.
40. Using 7/16 inch socket, tighten screw (AV).



41. Place lockwasher (AY) on each of two screws (AZ).
42. Position two clamps (BA) and insert screw (AZ).
43. Using 3/4 inch socket, tighten two screws (AZ).

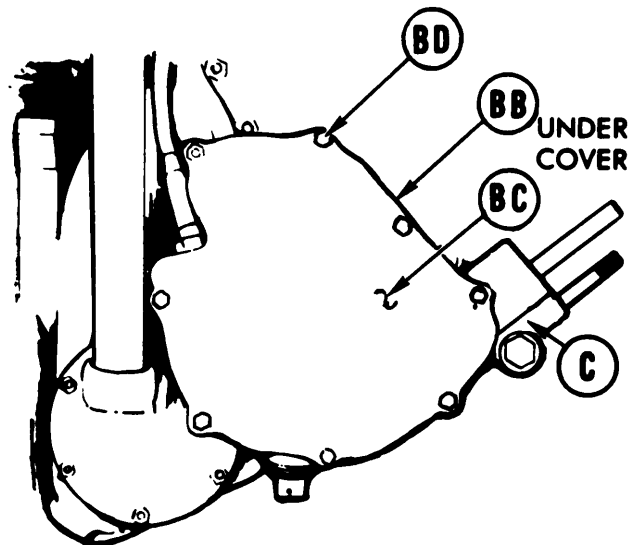
Go on to Sheet 14

TA169200



**BRAKE CONTROL HOUSING REPAIR (Sheet 14 of 14)**

44. Perform parking brake adjustment (page 13-130).
45. Position new gasket (BB) and install cover (BC) on studs of housing assembly (C).
46. Install eight lockwashers and nuts (BD).
47. Install slave cylinder (pages 13-56, 13-61) (as applicable).
48. Install powerplant (page 5-14).



End of Task

TA169201

**BRAKES ADJUSTMENT (Sheet 1 of 8)**

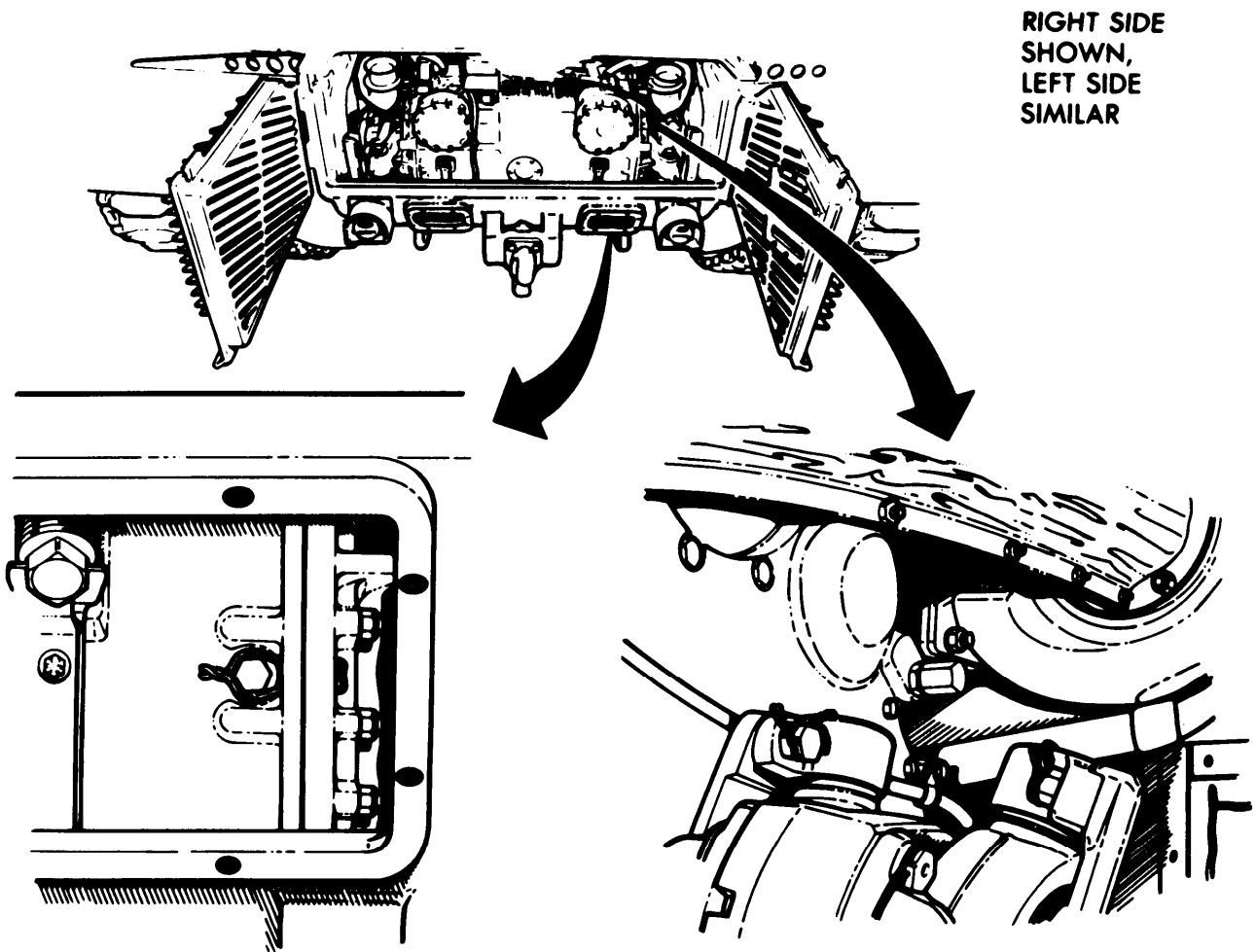
TOOLS: 7/16 in. combination box and open end wrench  
15/16 in. combination box and open end wrench  
7/8 in. combination box and open end wrench  
Diagonal cutting pliers  
1 in. combination box and open end wrench  
Slip joint pliers

SUPPLIES: Lockwire (Item 61, Appendix D)  
Gaskets (MS35769-2) (two required)

PERSONNEL: Two

REFERENCES: TM 5-5420-226-10

PRELIMINARY PROCEDURES: Block vehicle tracks (TM 5-5420-226-10)  
Place transmission in "N" neutral (TM 5-5420-226-10)  
Remove transmission shroud (page 9-2)  
Remove rear transmission access covers (page 16-34)



Go on to Sheet 2

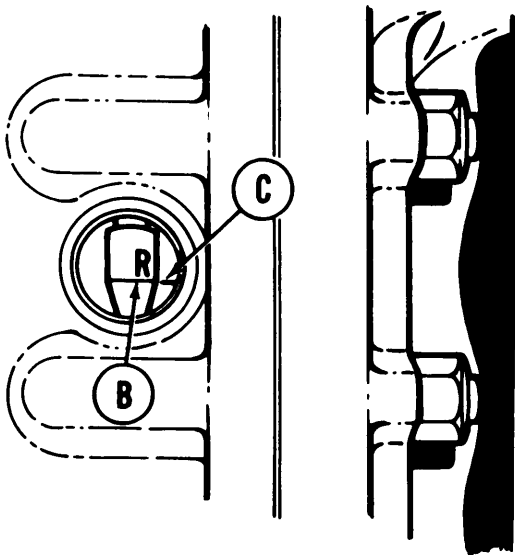
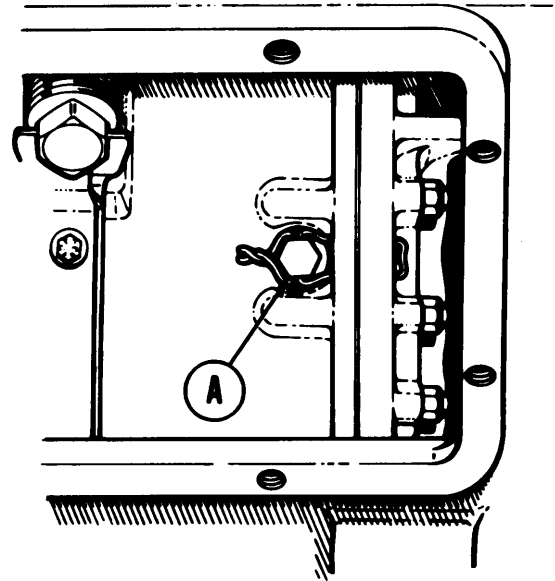
TA169202

**BRAKES ADJUSTMENT (Sheet 2 of 8)**

**NOTE**

**Both right and left brakes must be adjusted. Left brake adjustment is located equally opposite right brake adjustment on transmission.**

1. Using pliers, cut two locking wires holding two brake inspection hole plugs (A). Remove locking wires.
  
2. Using 7/8 inch wrench, remove two brake inspection hole plugs and gaskets (A).



3. Check whether index line (B) marked R and index mark (C) are lined up.

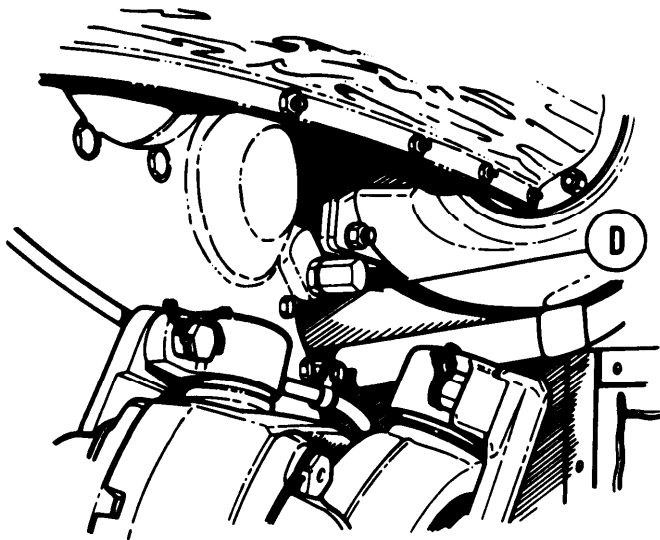
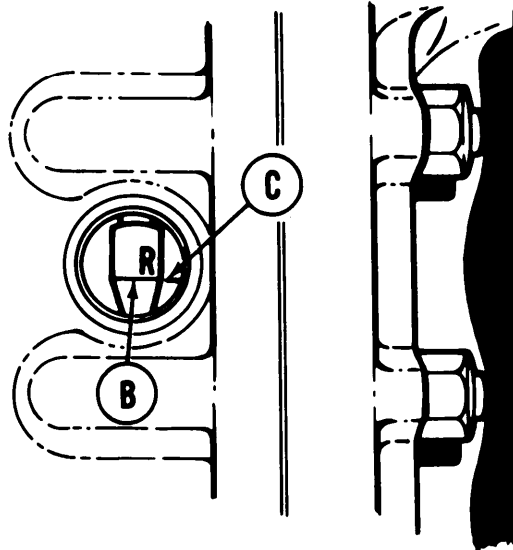
Go on to Sheet 3

TA169203

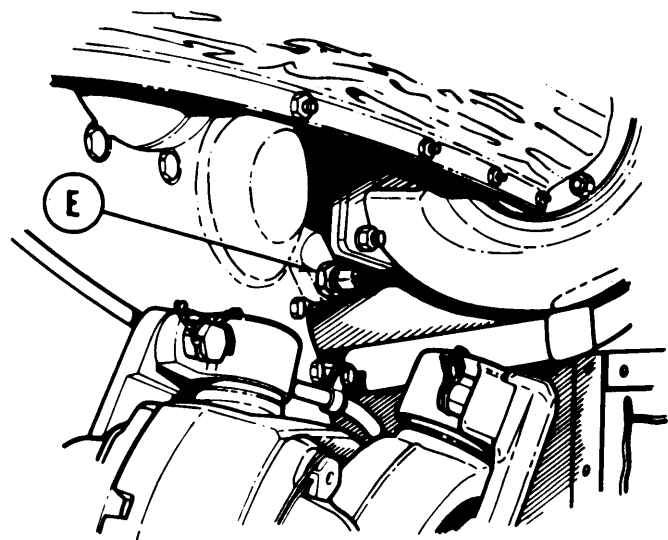
**BRAKES ADJUSTMENT (Sheet 3 of 8)**

NOTE

If index line (B) marked R, and index mark (C) are lined up, skip step 4 and go to step 10. If they are not lined up, go to step 4.



4. Using 1 inch wrench, remove brake adjusting worm cap (D).



5. Using 15/16 inch wrench, loosen locknut (E).

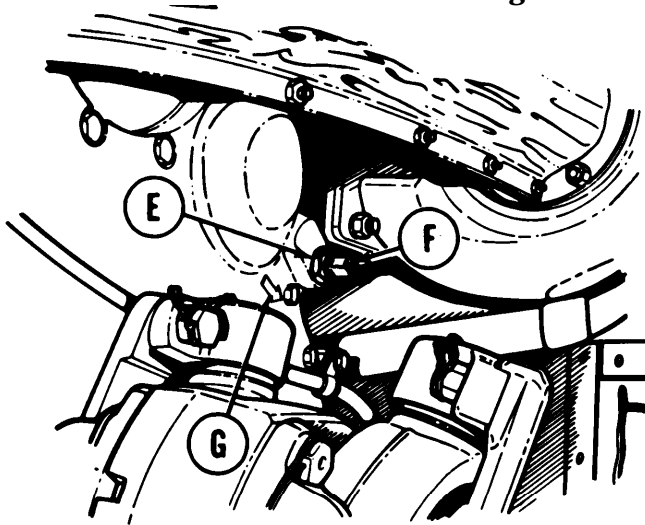
Go on to Sheet 4

TA169204

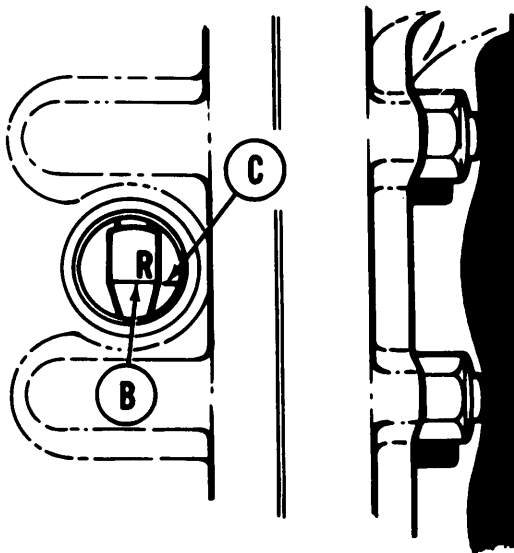
**BRAKES ADJUSTMENT (Sheet 4 of 8)**

**CAUTION**

**Make sure brakes are fully released before making brake adjustment. Failure to fully release brakes can cause internal damage to cross-drive transmission.**



6. Using 7/16 inch wrench, turn brake adjusting worm (F) about 25 turns in opposite direction of arrow (G) on transmission end cover (right side, turn clockwise; left side, turn counterclockwise).
7. Using 7/16 inch wrench, attempt to line up index line (B) marked R with index mark (C) by turning brake adjustment worm (F) in direction of arrow (G) on transmission end cover (right side, turn counterclockwise; left side, turn clockwise).
8. If index line (B) marked R, and index mark (C) are lined up, using 7/16 inch wrench, hold brake adjusting worm (F). Using 15/16 inch wrench, tighten locknut (E).



**NOTE**

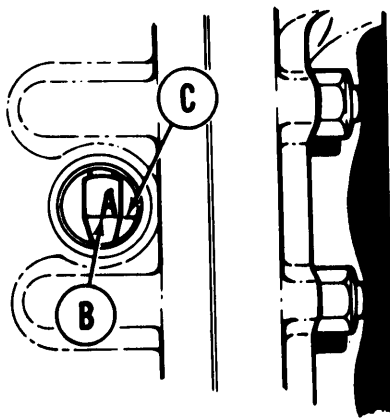
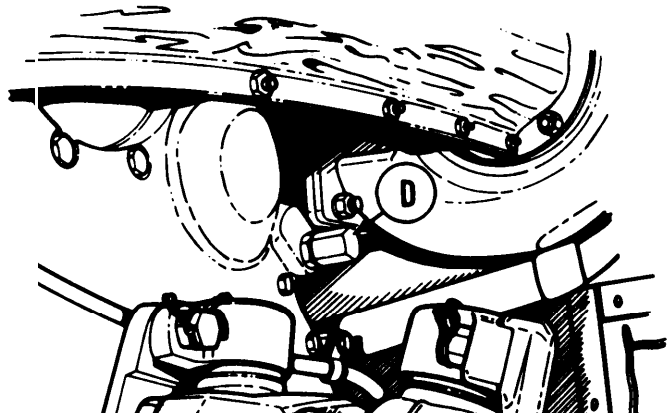
**If index line (B) marked R, and index mark (C) are not lined up, notify supervisor that brakes require higher level maintenance.**

Go on to Sheet 5

TA169205

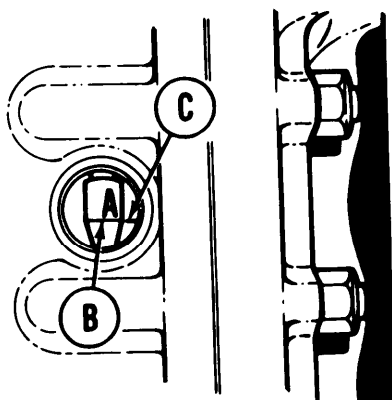
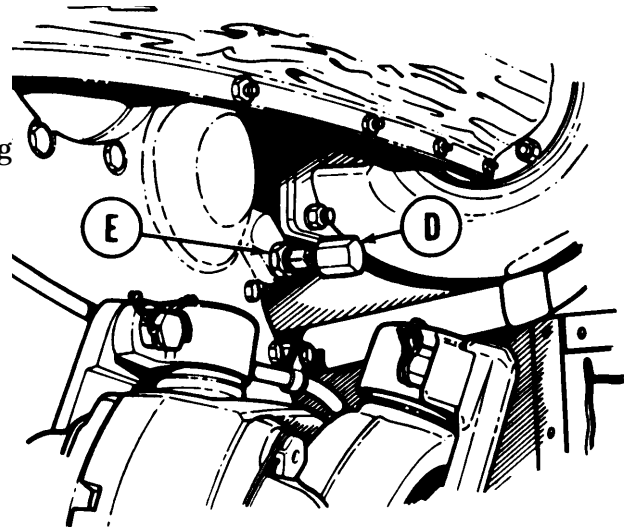
**BRAKES ADJUSTMENT (Sheet 5 of 8)**

9. Using 1 inch wrench, install brake adjusting worm cap (D).
10. Fully apply brakes (TM 5-5420-226-10).



11. Check whether index line (B) marked A and index mark (C) are lined up.
12. If index line (B) marked A and index mark (C) are lined up within 1/64 inch, brakes are adjusted. Release brakes and go to step 24.
13. If index line (B) marked A and index mark (C) are not lined up within 1/64 inch, release brakes and go to step 14.

14. Using 1 inch wrench, remove brake adjusting worm cap (D).
15. Using 15/16 inch wrench, loosen locknut (E).

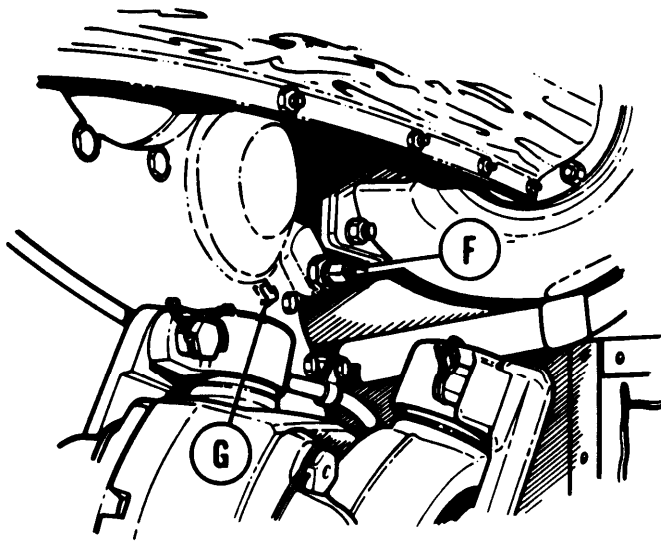


16. Fully apply brakes (TM 5-5420-226-10). If index line (B) marked A moves past index mark (C), brake is too loose.

Go on to Sheet 6

TA169206

**BRAKES ADJUSTMENT (Sheet 6 of 8)**

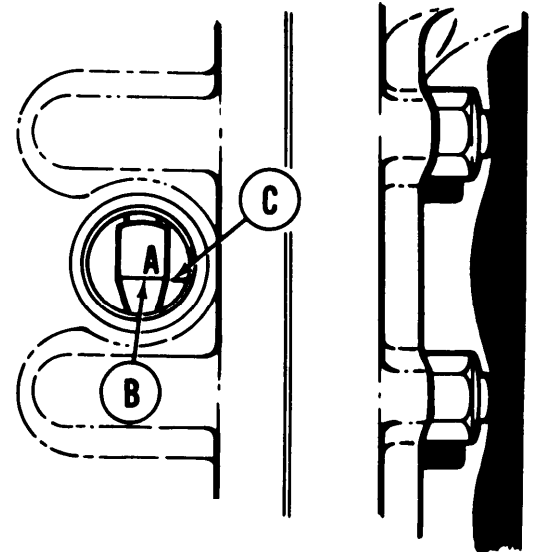


17. Release brakes.

18. Using 7/16 inch wrench, turn brake adjusting worm (F) in direction of arrow (G) on transmission end cover (right side, turn counterclockwise; left side, turn clockwise).

19. If index line (B) marked A does not move back to index mark (C), brake is too tight.

20. Using 7/16 inch wrench, turn brake adjusting worm (F) about 25 turns toward opposite direction of arrow (G) on transmission end cover (right side, turn clockwise; left side, turn counterclockwise).



**NOTE**

**Always try to bring index line (B) marked A, and index mark (C) into line by turning brake adjusting worm (F) counterclockwise.**

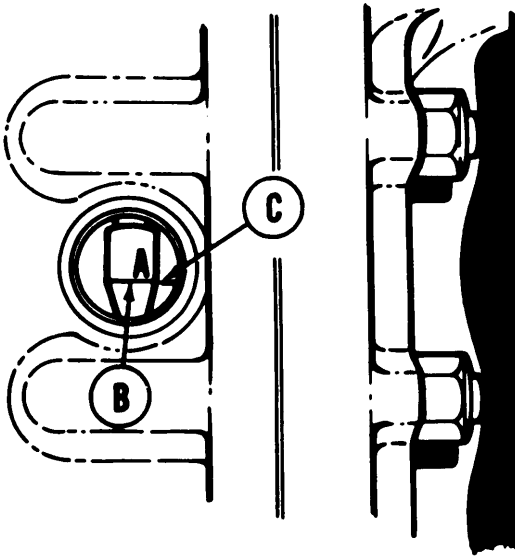
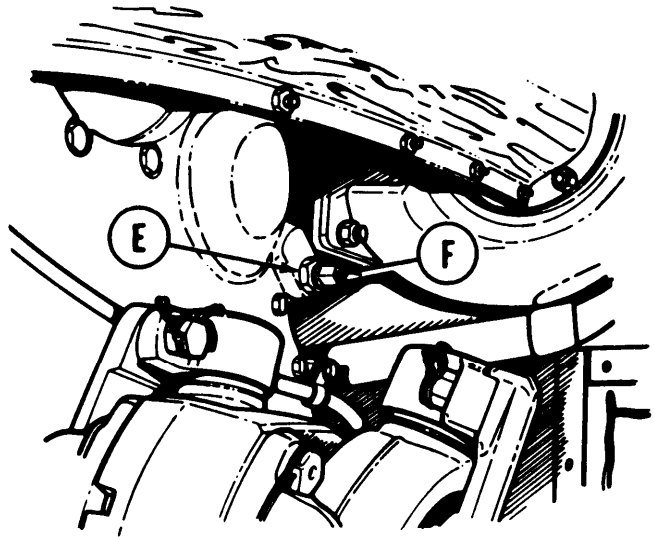
**CAUTION**

**Always release brakes before making adjustments.**

21. Using 7/16 inch wrench, turn brake adjusting worm (F) in direction of arrow (G) until index line (B) marked A, lines up with index mark (C) when brakes are applied.

**BRAKES ADJUSTMENT (Sheet 7 of 8)**

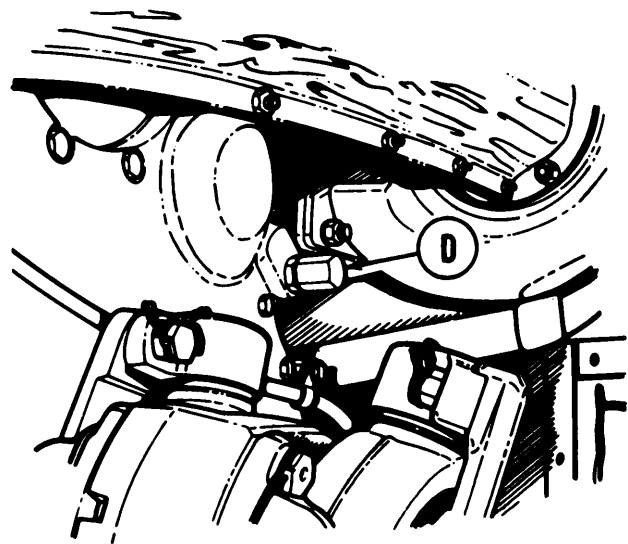
22. When brakes have been adjusted, using 7/16 inch wrench, hold adjusting worm (F). Using 15/16 inch wrench, tighten locknut (E).



**NOTE**

If index line (B) marked A cannot be lined up with index mark (C) within 1/64 inch, notify supervisor that brakes require higher level maintenance.

23. Using 1 inch wrench, install brake adjusting worm cap (D).

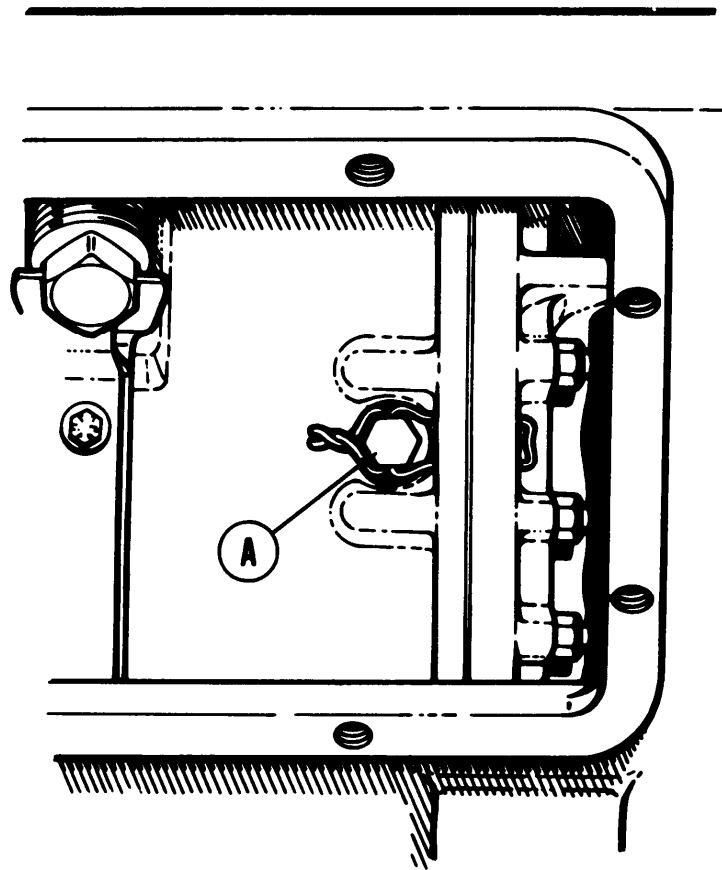


Go on to Sheet 8

TA169208



## BRAKES ADJUSTMENT (Sheet 8 of 8)



24. Using 7/8 inch wrench, install two brake inspection hole plugs and gaskets (A).
25. Using pliers, install locking wire to two brake inspection hole plugs.
26. Install rear transmission access covers (page 16-42).
27. Install transmission shroud (page 9-6).
28. Place transmission in "P" park position and remove blocks from track (TM 5-5420-226-10).
29. Road test vehicle to check brake adjustment (TM 5-5420-226-10).

End of Task

TA169209

HYDRAULIC BRAKE SYSTEM BLEEDING (Sheet 1 of 4)

TOOLS: 1-1/8 in. open end wrench  
11/16 in. open end wrench  
3/8 in. open end wrench  
3/4 in. open end wrench  
Filler and bleeder (4910-00-273-3658)  
9/16 in. open end wrench

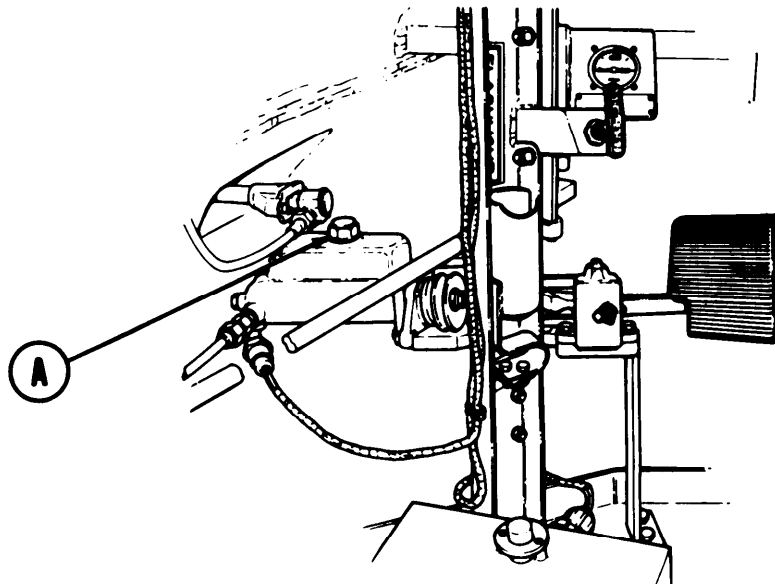
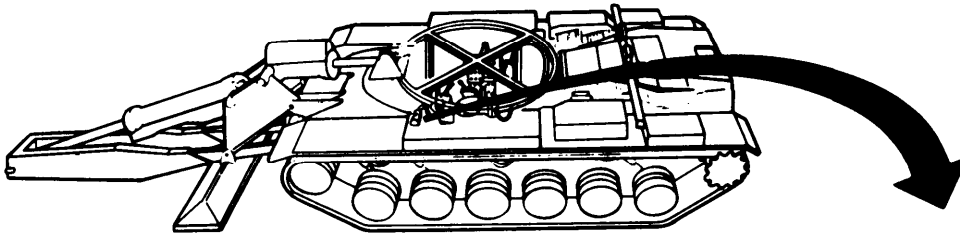
SUPPLIES: Brake fluid (Item34, Appendix D)

PERSONNEL: Two

REFERENCE: TM 5-5420-226-10

PRELIMINARY PROCEDURE: Remove transmission shroud (page 9-2).

1. Block vehicle tracks to prevent movement (TM 5-5420-226-10).
2. Place transmission lever to neutral "N" (TM 5-5420-226-10).
3. Using 1-1/8 inch wrench, remove master cylinder filler cap (A).

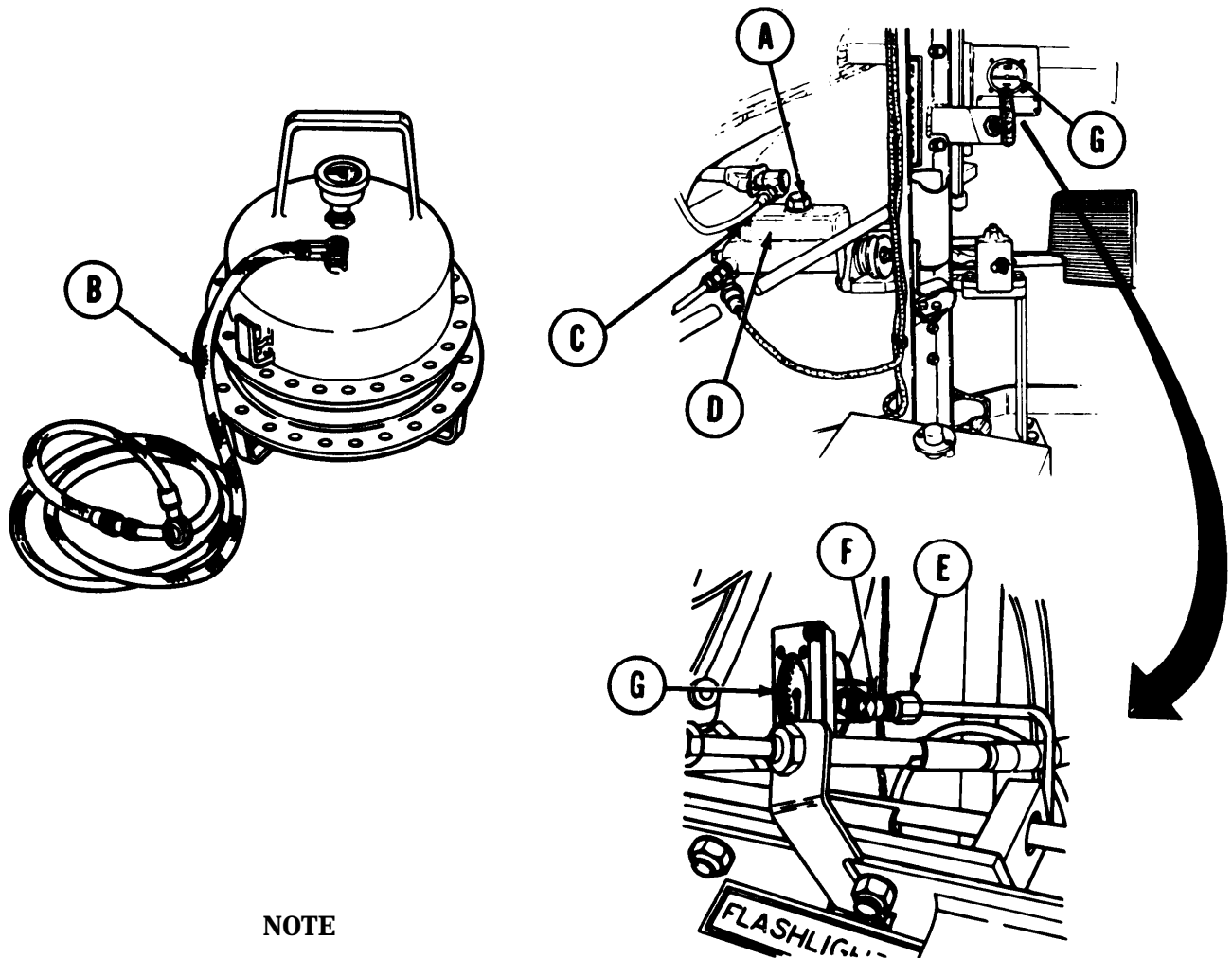


Go onto Sheet 2

TA169210

HYDRAULIC BRAKE SYSTEM BLEEDING (Sheet 2 of 4)

4. Connect the filler and bleeder hydraulic system (B) to filler cap (A) hole.



NOTE

Filler and bleeder hydraulic system will maintain pressure and fill master cylinder with fluid.

SIDE VIEW

5. Using 3/8 inch wrench, open bleeder valve (C) on master cylinder (D). Let hydraulic fluid run until no air bubbles are detected in hydraulic fluid. Close bleeder valve (C).
6. Using 9/16 inch wrench on nut (E) and 3/4 inch wrench on elbow (F), loosen nut (E) and bleed gage (G) until no air bubbles are observed in hydraulic fluid. Tighten nut (E) holding elbow (F).

Go on to Sheet 3

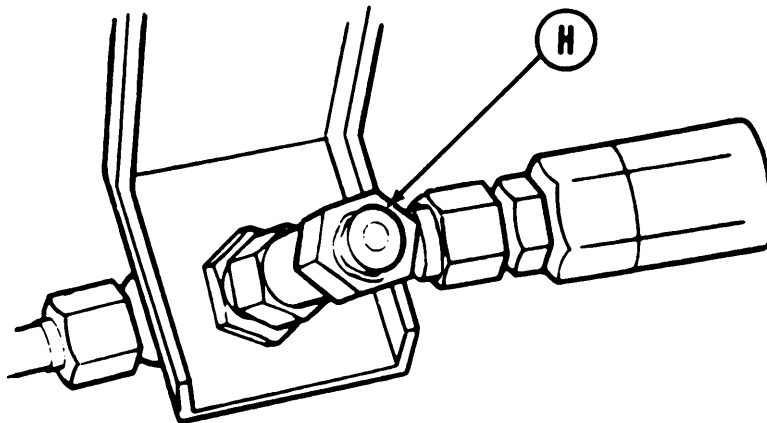
TA169211

HYDRAULIC BRAKE SYSTEM BLEEDING (Sheet 3 of 4)

NOTE

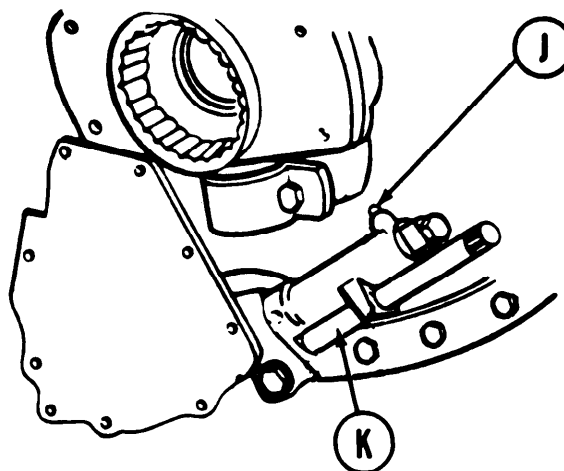
Steps 7 thru 9 require that one person be at driver's station and one person be at rear of vehicle.

- Using 11/16 inch wrench, open bleed nut (H) and observe hydraulic fluid until air bubbles are no longer present. Close bleed nut (H).



- Using 3/8 inch wrench, open bleed nut (J) on slave cylinder (K) until no air bubbles are observed in hydraulic fluid. Close bleed nut (J).

- Repeat step 8 for opposite slave cylinder.

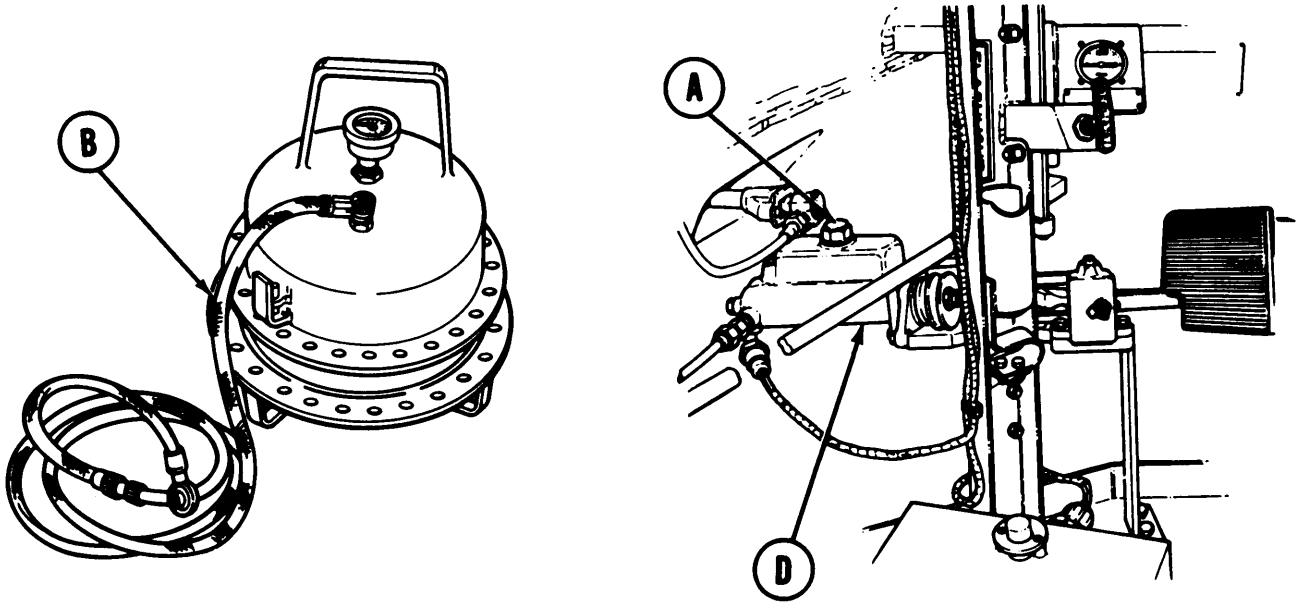


Go on to Sheet 4

TA169211

## HYDRAULIC BRAKE SYSTEM BLEEDING (Sheet 4 of 4)

10. Remove filler and bleeder hydraulic system (B) from filler cap (A) hole.



11. Using 1-1/8 inch wrench, install filler cap (A) to master cylinder (D).
12. Place transmission lever in "P" park position (TM 5-5420-226-10).
13. Install transmission shroud (page 9-6).
14. Remove blocks from vehicle tracks (TM 5-5420-226-10).

End of Task

TA169213

PARKING BRAKE CONTROL ASSEMBLY AND LINKAGE REPLACEMENT (Sheet 1 of 17)

PROCEDURE INDEX

PROCEDURE	PAGE
Removal	13-90
Installation	13-98

- TOOLS:
- 7/16 in. open end wrench
  - 9/16 in. open end wrench
  - 7/8 in. open end wrench
  - 15/16 in. open end wrench
  - 8 in. adjustable wrench
  - 9/16 in. socket with 1/2 in. drive
  - 5 in. extension with 1/2 in. drive
  - Ratchet handle with 1/2 in. drive
  - 1/4 in. punch
  - 1/8 in. punch
  - Hammer
  - Slip joint pliers
  - Torque wrench with 3/8 in. drive(0-200 lb-in)
  - Flat-tip screwdriver

SPECIAL TOOLS: 7/8 in. crowfoot wrench with 3/8 in. drive (Item 42, Chapter 3, Section I)

- SUPPLIES:
- Spring pins MS39086-47 (2 required)
  - Preformed packing MS28775-10
  - Dry cleaning solvent (Item 55, Appedix D)
  - Black grease pencil
  - Sealing compound (Item 24, Appendix D)
  - 15 ft lacing wire (Item 61, Appendix D)
  - Split bushing 10915816

PERSONNEL: Two

REFERENCE: TM 5-5420-226-10

- PRELIMINARY PROCEDURES:
- Block tracks to prevent vehicle movement (TM 5-5420-226-10)
  - Place transmission shift lever in N (neutral) (TM 5-5420-226-10)
  - Remove powerplant (page 5-2)
  - Remove operator's floor access cover (page 17-17)

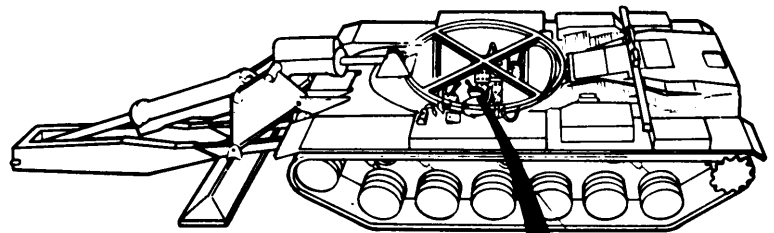
Go on to Sheet 2

TA169214

## PARKING BRAKE CONTROL ASSEMBLY AND LINKAGE REPLACEMENT (Sheet 2 of 17)

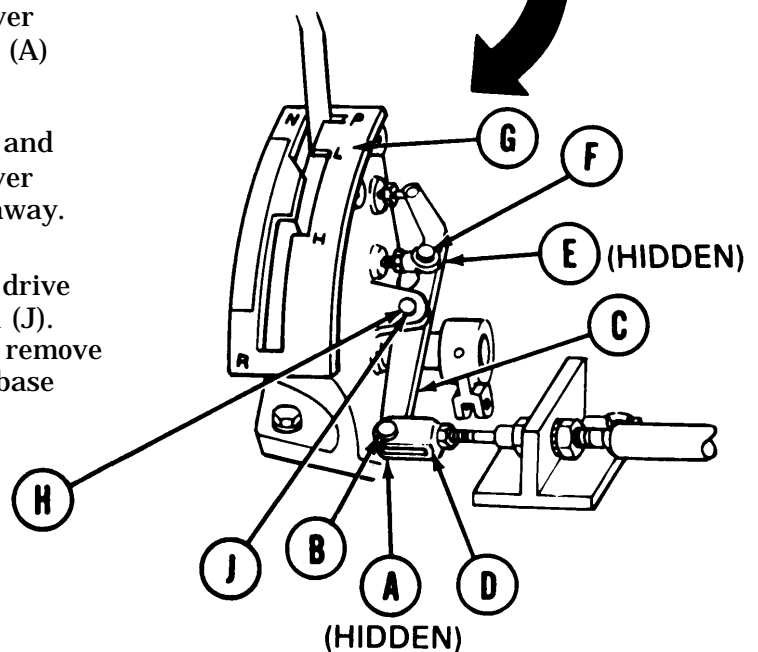
## NOTE

Although the parking brake cable control assembly on the newer model vehicles is a two piece cable and the older model vehicles (not yet modified) have a one piece cable, both are removed exactly the same way. However, if only the two piece cable needs replacing go to steps 25 through 30 and step 34. If complete two piece cable is to be removed and replaced, use steps 1 through 34.



## REMOVAL:

1. Using pliers, remove cotter pin (A) and straight headed pin (B) securing lever (C) to clevis (D). Throw cotter pin (A) away.
2. Using pliers, remove cotter pin (E) and straight headed pin (F) securing lever (C) to base. Throw cotter pin (E) away.
3. Using hammer and 1/8 inch punch, drive out spring pin (H) from straight pin (J). Using hammer and 1/4 inch punch, remove straight pin (J) from lever (C) and base (G). Throw spring pin (H) away.

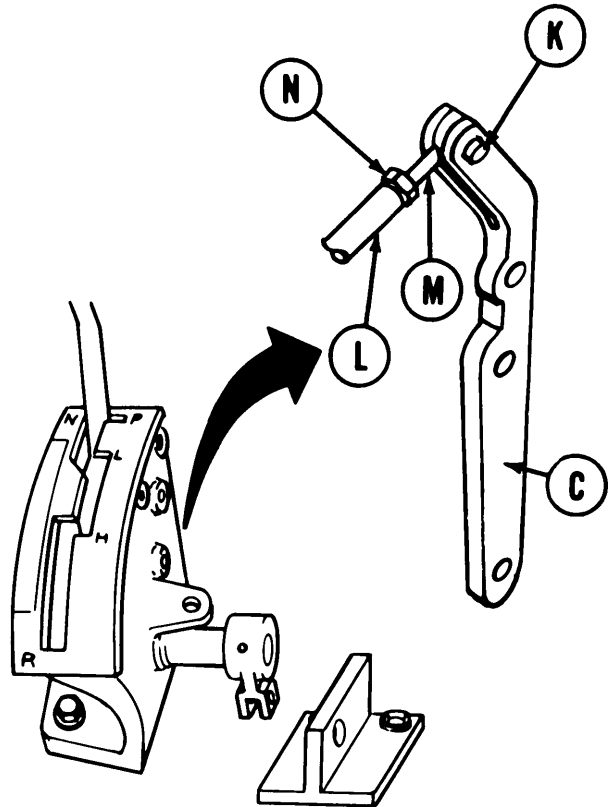


Go on to Sheet 3

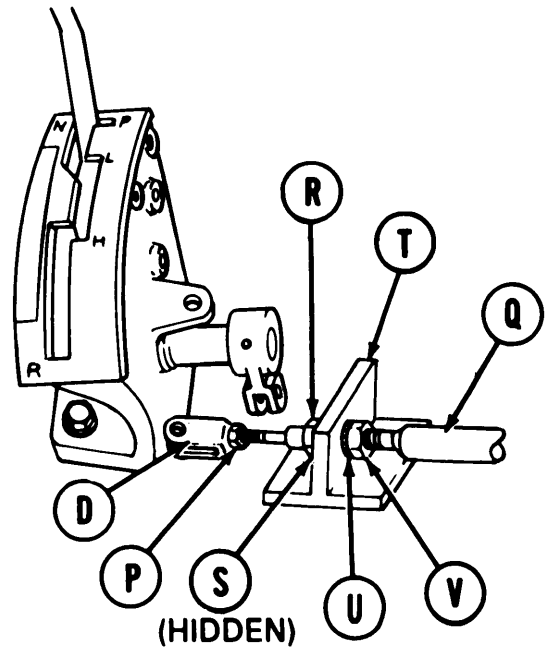
TA169215

PARKING BRAKE CONTROL ASSEMBLY AND LINKAGE REPLACEMENT (Sheet 3 of 17)

4. Remove lever (C), spring pin (K), straight pin (L), rod end connector (M), and nut (N) as a unit.
5. Using 7/16 inch wrench, hold nut (N), use pliers and remove straight pin (L) from rod end connector (M).
6. Using 7/16 inch wrench, remove nut (N) from rod end connector (M).
7. Using hammer and punch, drive out spring pin (K) from lever (C). Throw spring pin (K) away.



8. Using 9/16 inch wrench, hold nut (P), use 8 inch adjustable wrench to remove clevis (D) from control assembly (Q).
9. Using 9/16 inch wrench, remove nut (P) from control assembly (Q).
10. Using 15/16 inch wrench, remove nut (R) and lockwasher (S) from control assembly (Q).
11. Pull control assembly (Q) through support bracket (T).
12. Using 15/16 inch wrench, remove lockwasher (U) and nut (V) from control assembly (Q).



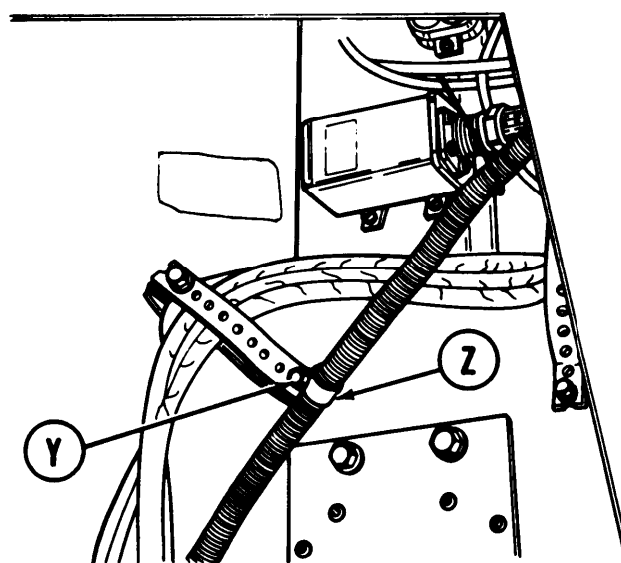
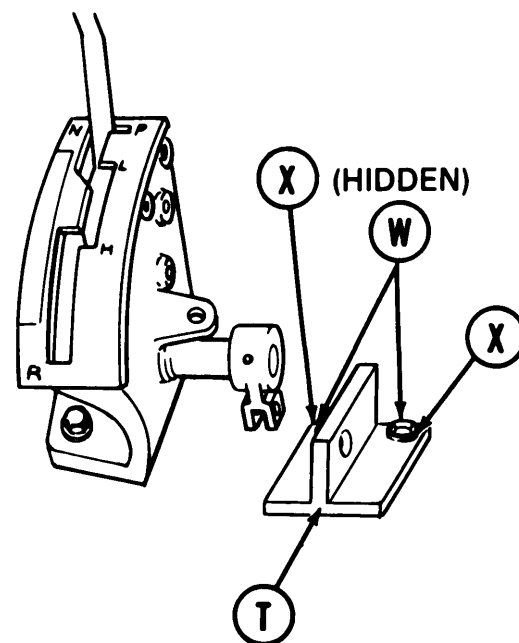
Go on to Sheet 4

TA169216



**PARKING BRAKE CONTROL ASSEMBLY AND LINKAGE REPLACEMENT (Sheet 4 of 17)**

13. Using 9/16 inch socket and 5 inch extension, remove two screws (W) and lockwashers (X).
14. Remove bracket (T).
15. Using 7/16 inch wrench, remove screw (Y).
16. Using screwdriver, remove clamp (Z).



**UNDER PLATFORM FLOOR**

Go on to Sheet 5

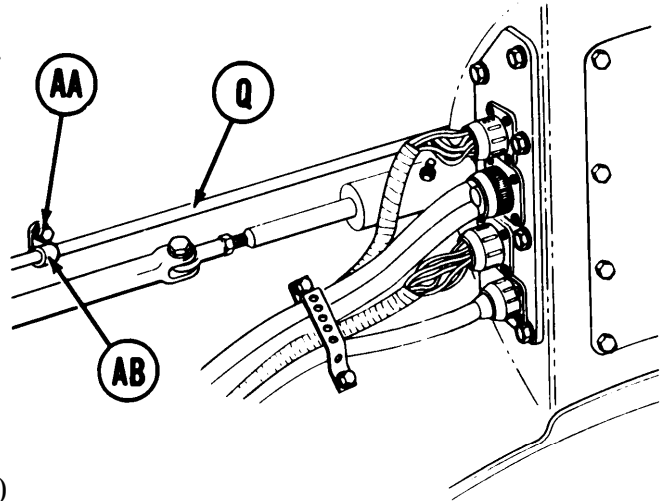
TA169217

PARKING BRAKE CONTROL ASSEMBLY AND LINKAGE REPLACEMENT (Sheet 5 of 17)

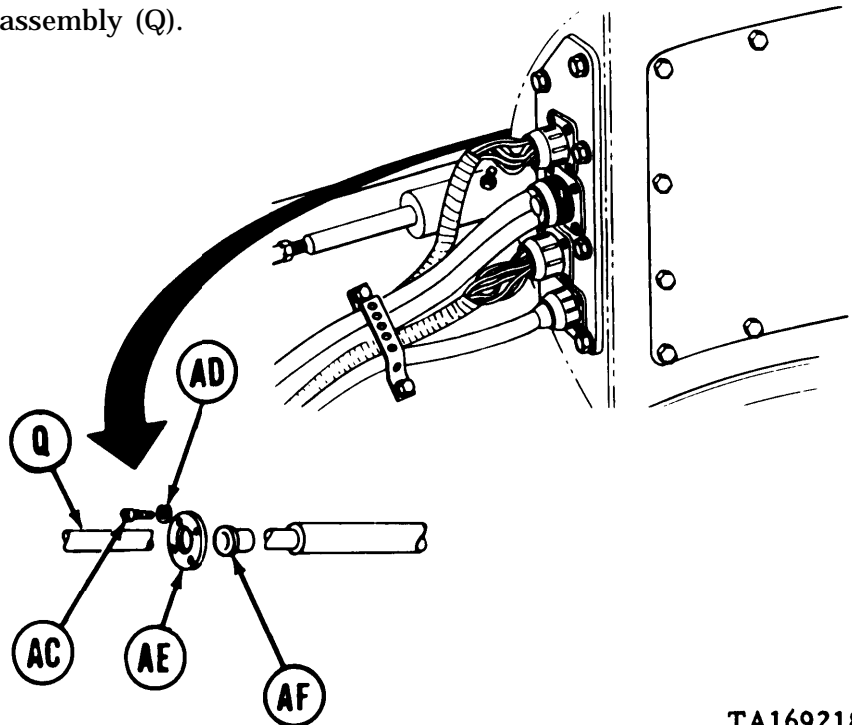
17. Using 9/16 inch wrench, remove lockwasher and screw (AA).
18. Using screwdriver, remove clamp (AB).

**NOTE**

Use black grease pencil and mark control assembly (Q) at bulkhead wall.



19. Using screwdriver, remove four screws (AC) and lockwashers (AD) securing retainer (AE) and control assembly (Q) to bulkhead.
20. Grasp control assembly (Q) with both hands and pull forward 1 to 2 inches. Remove split bushing (AF). Throw bushing (AF) away.
21. Grasp control assembly (Q) with both hands where the control assembly comes from under subfloor and goes along bulkhead wall. Pull toward rear of launcher until control assembly end (Q) is free from under subfloor.
22. Slide retainer (AE) off cable assembly (Q).

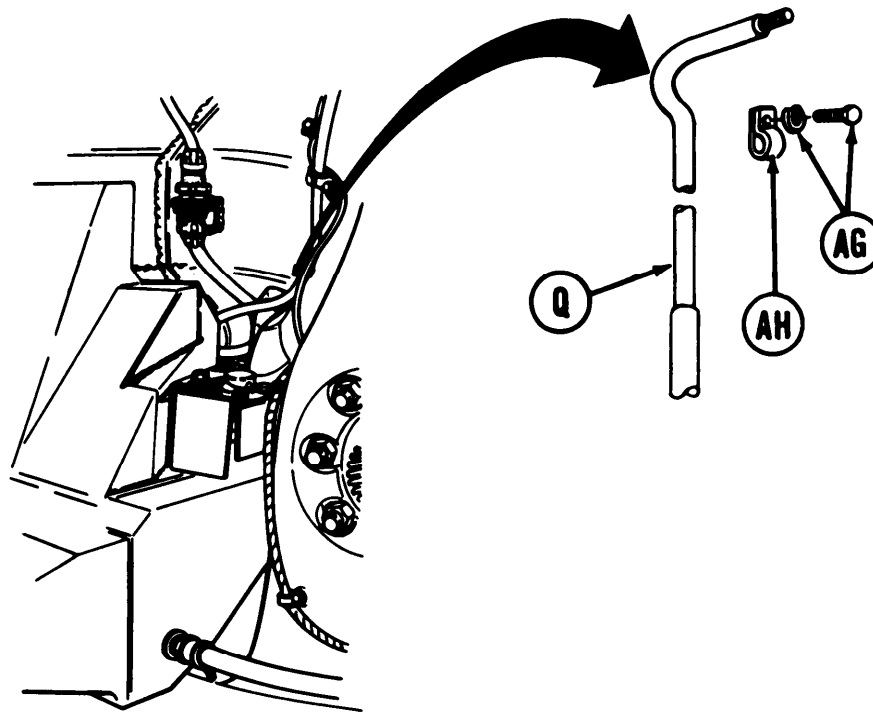


Go on to Sheet 6

TA169218

**PARKING BRAKE CONTROL ASSEMBLY AND LINKAGE REPLACEMENT (Sheet 6 of 17)**

23. Using 9/16 inch wrench, remove screw and lockwasher (AG).
24. Using screwdriver, remove clamp (AH) from cable assembly (Q).

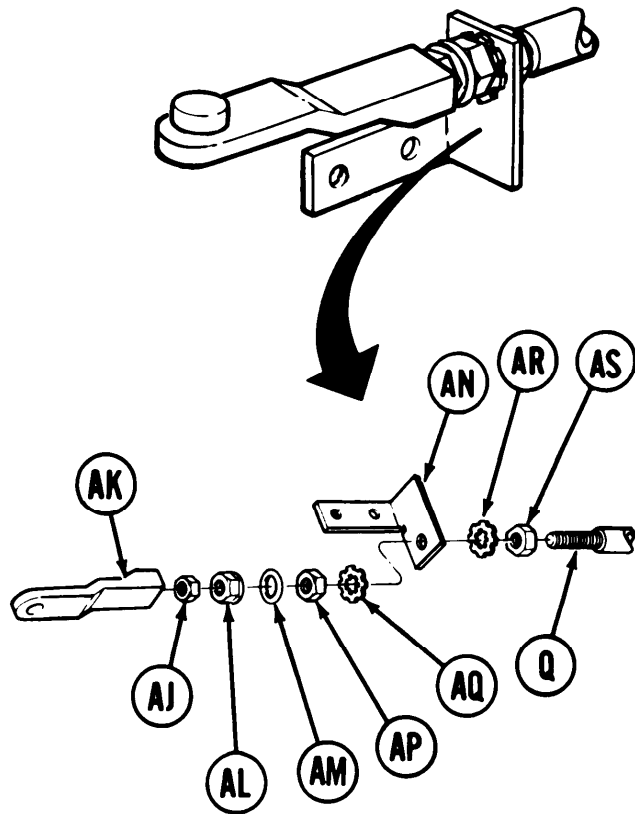


Go on to Sheet 7

TA169219

PARKING BRAKE CONTROL ASSEMBLY AND LINKAGE REPLACEMENT (Sheet 7 of 17)

25. From engine compartment, using 9/16 inch wrench hold nut (AJ), use adjustable wrench and remove rod end connector (AK) from control assembly (Q).
26. Using 9/16 inch wrench, remove nut (AJ).
27. Using 15/16 inch wrench, remove brake control nut (AL) and preformed packing (AM) from control assembly (Q). Throw packing (AM) away.
28. Using adjustable wrench to hold support bracket (AN), use 15/16 inch wrench to remove nut (AP) and lockwasher (AQ).
29. Remove support bracket (AN) and lockwasher (AR) from control assembly (Q).
30. Using 15/16 inch wrench, remove nut (AS) from control assembly (Q).

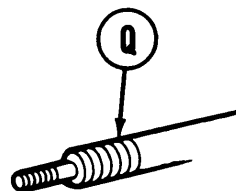


Go on to Sheet 8

TA169220

## PARKING BRAKE CONTROL ASSEMBLY AND LINKAGE REPLACEMENT (Sheet 8 of 17)

31. Attach wire to end of control assembly (Q) located inside compartment (commander's side). Make sure that wire is wrapped tightly several times around end of control assembly (Q) and other end is secured to a wrench or other movable object which will not allow the free end of wire to pass through the bulkhead opening.



## NOTE

**Two technicians are required to remove control assembly (Q) from vehicle, one technician inside compartment at commander's position and one technician inside engine compartment.**

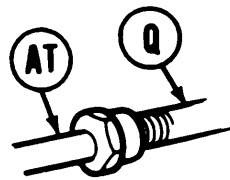
32. Person in engine compartment grasp control assembly (Q) with both hands and pull toward rear of vehicle, while person inside compartment feeds control assembly (Q) with wire through bulkhead.

**PARKING BRAKE CONTROL ASSEMBLY AND LINKAGE REPLACEMENT (Sheet 9 of 17)**

33. When control assembly (Q) is clear of tube located behind fuel tank, the technician in the engine compartment will disconnect wire from control assembly (Q) and remove control assembly (Q) from vehicle. Make sure wire is secured so it will not slide out of tube.

**NOTE**

**Step 34 applies to two piece cable only.**



34. Using adjustable wrench, hold control assembly (Q). Using 7/8 inch wrench, loosen connector (AT) on control assembly (Q). Separate control assembly (Q) into two pieces.

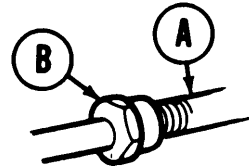
**INSTALLATION:**

**NOTE**

**Steps 1 and 2 apply only to two piece cables.**

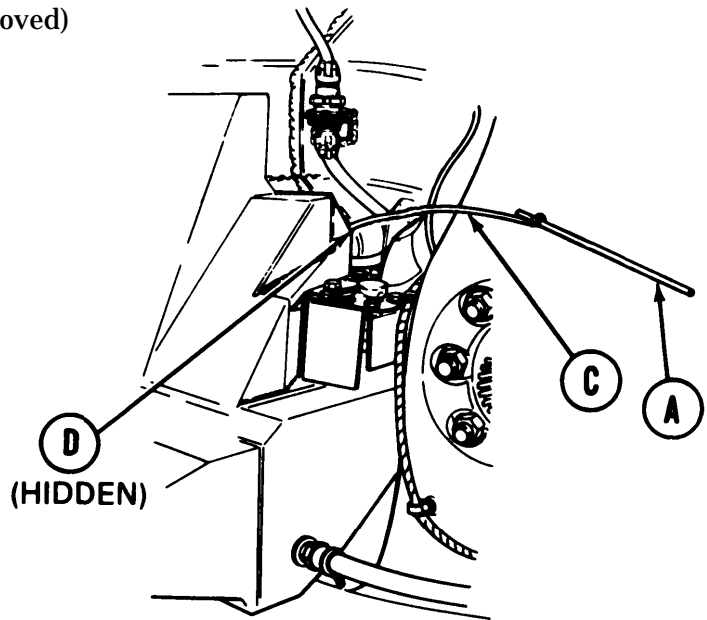
**PARKING BRAKE CONTROL ASSEMBLY AND LINKAGE REPLACEMENT (Sheet 10 of 17)**

1. Using adjustable wrench to hold control assembly (A), use 7/8 inch wrench to tighten connector (B) joining the two pieces of control assembly (A) together.



2. Using torque wrench and 7/8 inch crow-foot, tighten connector (B) on control assembly (A) to 35-50 lb-in. (8.9- 12.7 N•m).

3. Place old and new control assemblies (A) side-by-side. Make sure that length of end fittings match. Using black grease pencil, mark the replacement cable at the same location that the old (removed) control assembly was marked.



4. Attach wire (C) extending from tube (D) at the engine compartment tightly to the forward end of new control assembly (A).

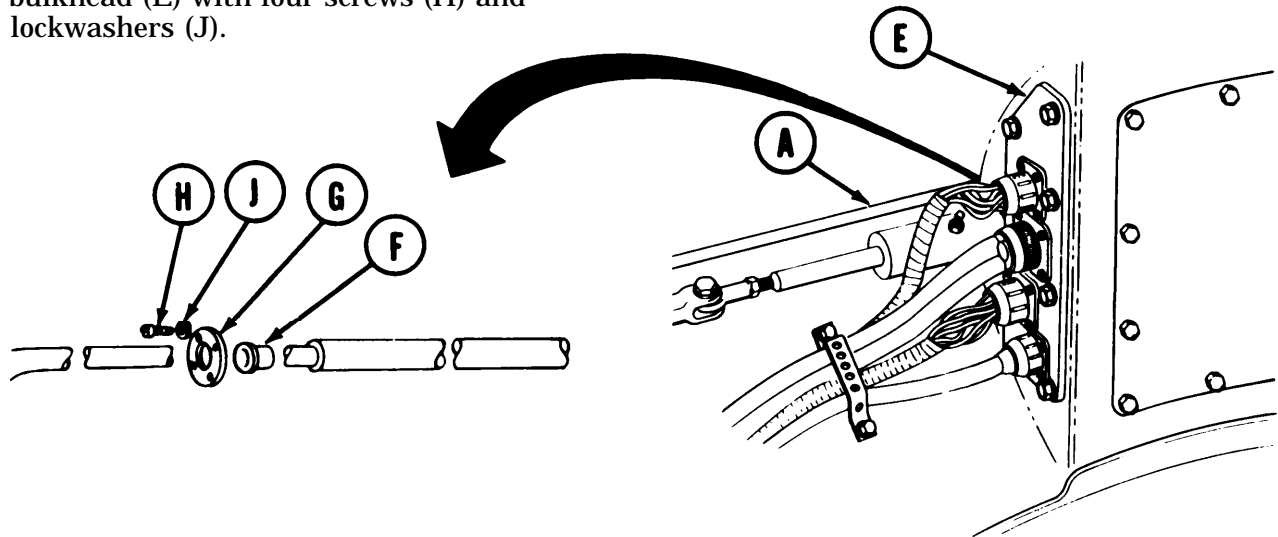
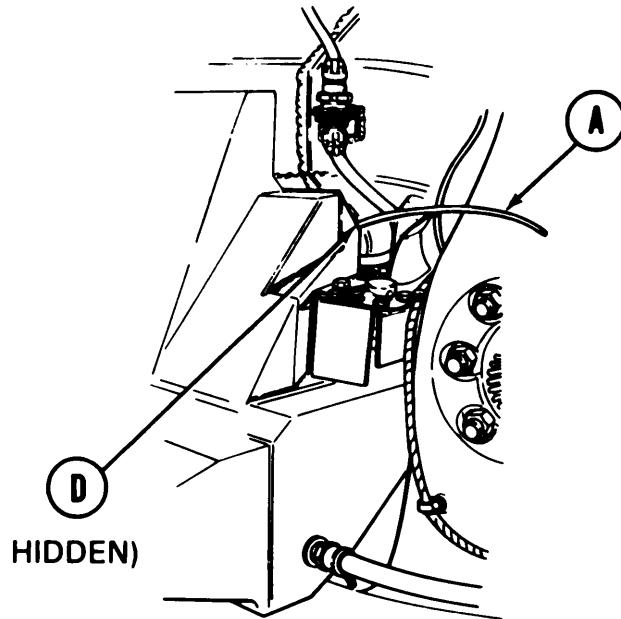
**PARKING BRAKE CONTROL ASSEMBLY AND LINKAGE REPLACEMENT (Sheet 11 of 17)**

5. With one person inside compartment at commander's position pulling wire extending from bulkhead, second person carefully threads control assembly (A) through tube (D) located behind fuel tank until control assembly (A) end is visible at bulkhead (E) inside compartment.

6. Continue to pull control assembly (A) through bulkhead (E) until black grease pencil reference mark is at bulkhead wall location.

7. Position new split bushing (F) over control assembly (A) with sealing compound. Allow 20 minutes to dry, then put bushing (F) into bulkhead (E).

8. Slide retainer (G) onto control assembly (A). Using screwdriver, install retainer (G) to bulkhead (E) with four screws (H) and lockwashers (J).



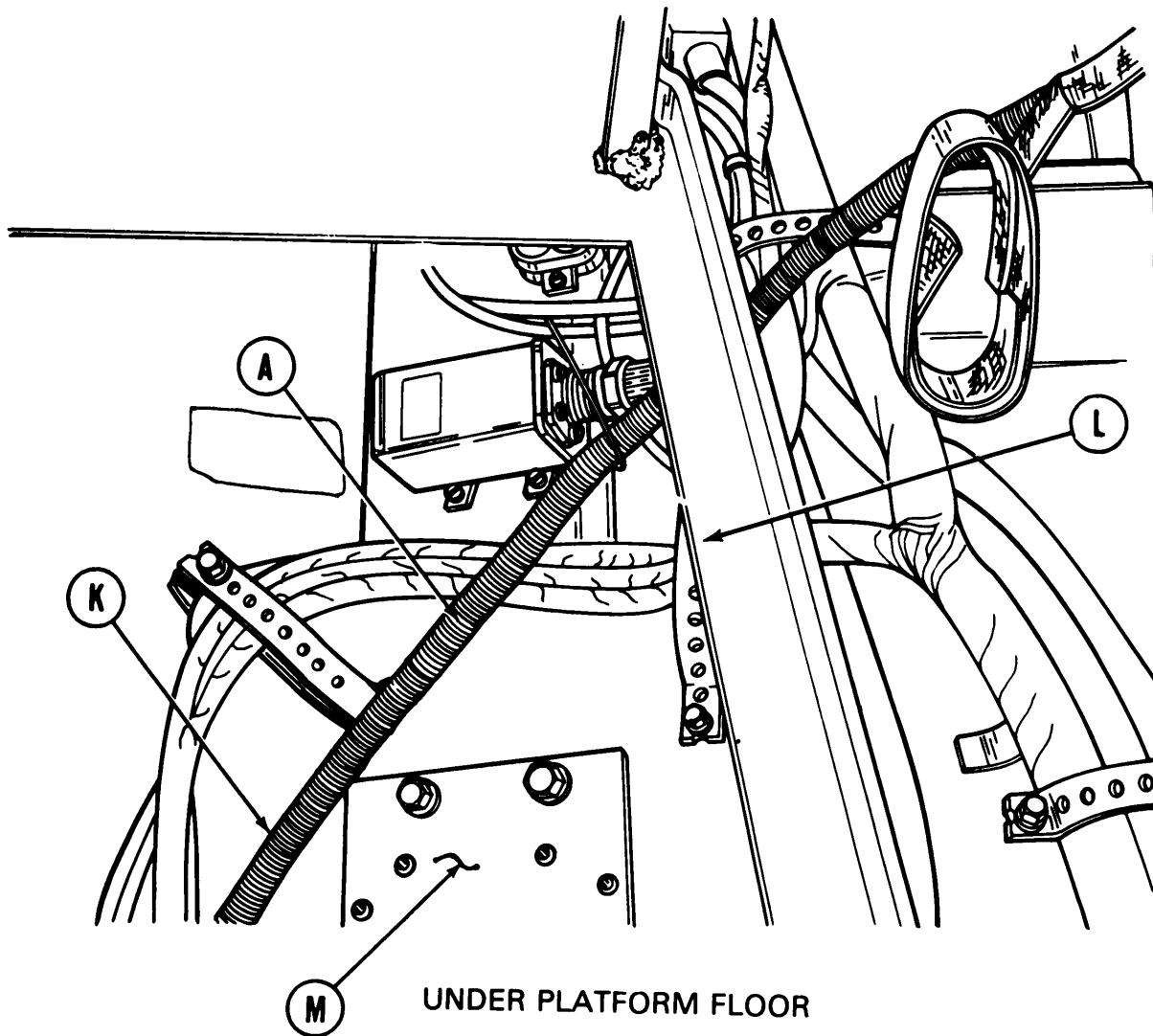
Go on to Sheet 12

TA169224



**PARKING BRAKE CONTROL ASSEMBLY AND LINKAGE REPLACEMENT (Sheet 12 of 17)**

9. Remove wire (K) from forward end of control assembly (A) and place outside of vehicle.
10. Thread control assembly (A) along bulkhead wall and under subfloor at location (L). Pull control assembly (A) across access area (M) and through access hole.

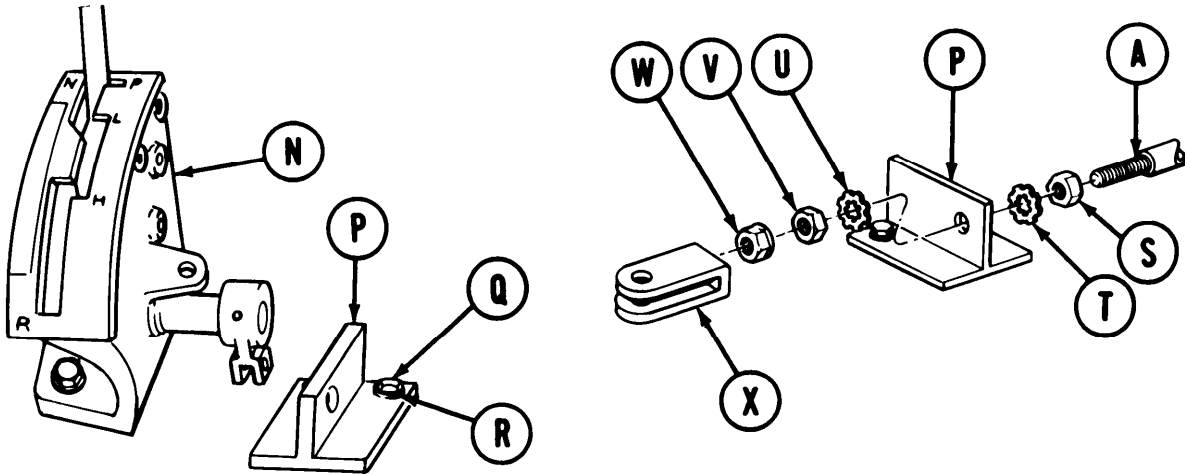


Go on to Sheet 13

TA169225

**PARKING BRAKE CONTROL ASSEMBLY AND LINKAGE REPLACEMENT (Sheet 13 of 17)**

11. Pull control assembly (A) toward base (N) and place support bracket (P) into position with holes alined.
12. Using 9/16 inch socket and 5 inch extension, install two screws (Q) and lockwashers (R).



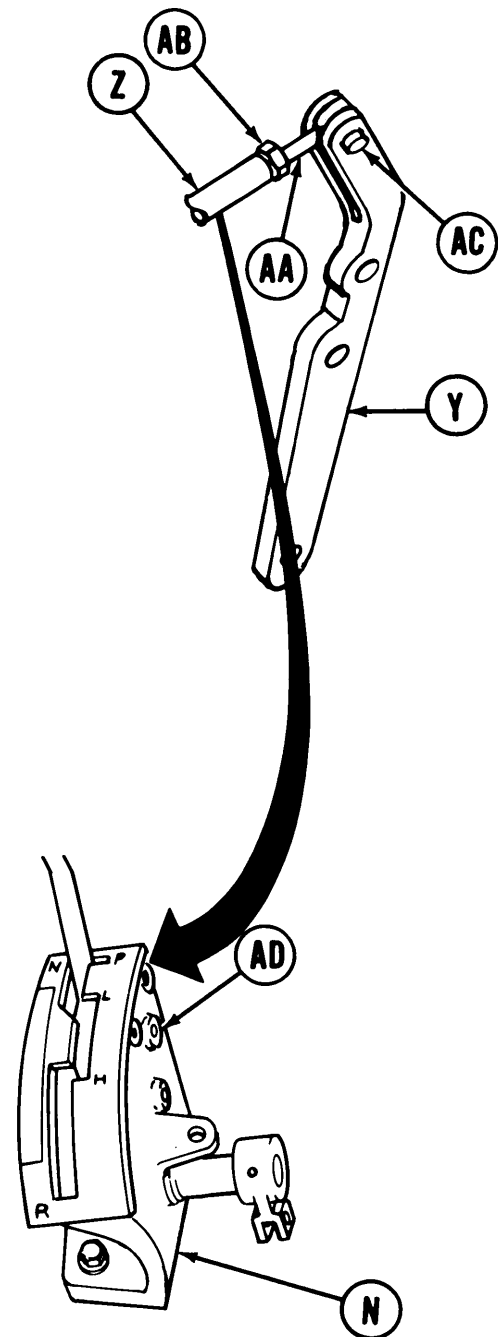
13. Using 15/16 inch wrench, install nut (S) and lockwasher (T).
14. Pull control assembly (A) through support bracket (P).
15. Using 15/16 inch wrench, install lockwasher (U) and nut (V).
16. Using 9/16 inch wrench, install nut (W). Do not tighten nut (W).
17. Using adjust able wrench, install clevis (X) onto control assembly (A).

Go on to Sheet 14

TA169226

**PARKING BRAKE CONTROL ASSEMBLY AND LINKAGE REPLACEMENT (Sheet 14 of 17)**

18. Locate lever (Y), pin(Z), rod end (AA), nut (AB), and new spring pin (AC).
19. Using 7/16 inch wrench, install nut (AB) onto rod end connector (AA).
20. Using pliers to hold pin.(Z), use adjustable wrench to install rod end connector (AA) onto pin (Z).
21. Using pliers to hold pin (Z), use 7/16 inch wrench to tighten nut (AB).
22. Position split end of lever (Y) over rod end connector (AA). Using pliers, install new spring pin (AC) through lever (Y) and rod end connector (AA).
23. Position assembled lever (Y) so pin (Z) fits into hole in base (N) at (AD).



Go on to Sheet 15

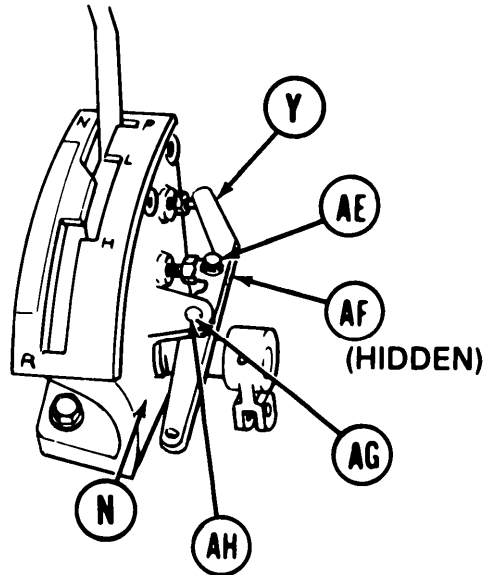
TA169227

PARKING BRAKE CONTROL ASSEMBLY AND LINKAGE REPLACEMENT (Sheet 15 of 17)

24. Position lever (Y) onto base(N) and secure with straight headed pin (AE).

25. Using pliers, secure straight headed pin (AE) with new cotter pin (AF).

26. Using hammer and 1/4 inch punch, install straight pin (AG) and, using hammer and 1/8 inch punch, install new spring pin (AH) securing lever (Y) to base (N).

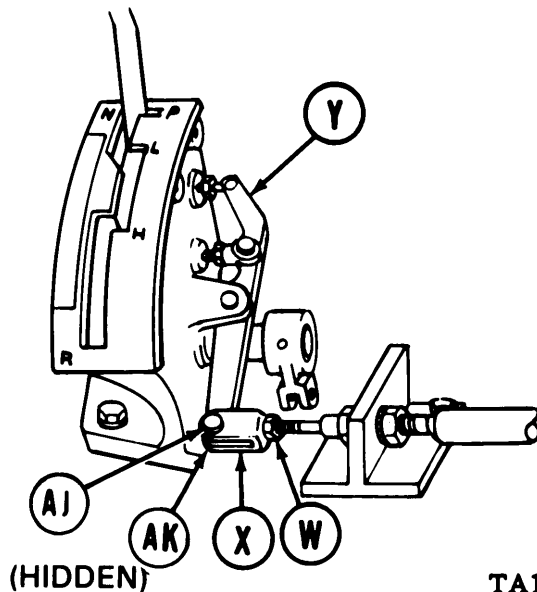


27. Position clevis (X) onto lever (Y) with holes alined.

28. Install straight headed pin (AJ).

29. Using pliers, install new cotter pin (AK).

30. Using 9/16 inch wrench, tighten nut (w).



Go on to Sheet 16

TA169228

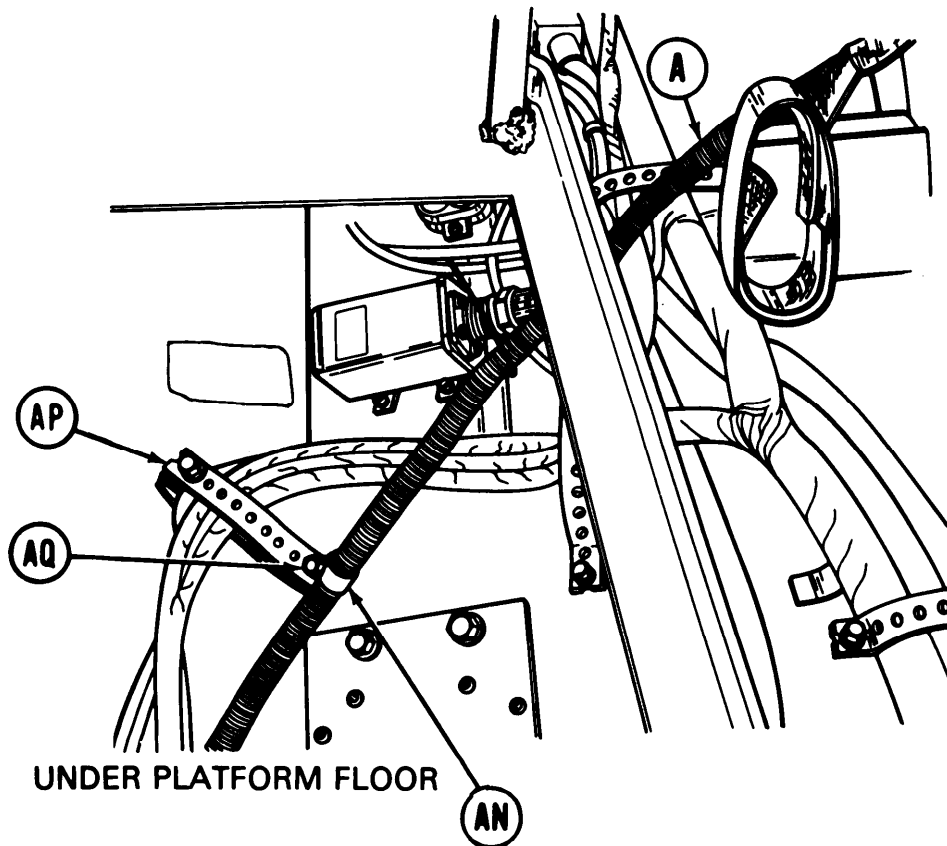
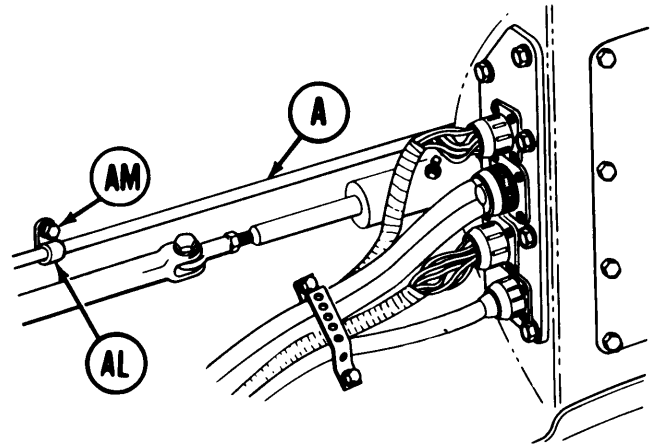
**PARKING BRAKE CONTROL ASSEMBLY AND LINKAGE REPLACEMENT (Sheet 16 of 17)**

31. Position clamp (AL) onto control assembly (A) with hole alined.

32. Using 9/16 inch wrench, install screw and lockwasher (AM).

33. Position clamp (AN) onto control assembly (A) with hole alined to bracket (AP).

34. Using 7/16 inch wrench, install screw and lockwasher (AQ).



Go on to Sheet 17

TA169229

PARKING BRAKE CONTROL ASSEMBLY AND LINKAGE REPLACEMENT (Sheet 17 of 17)

35. Go to engine compartment.

36. Using 15/16 inch wrench, install nut (AR) onto control assembly (A).

37. Install lockwasher (AS), bracket (AT), and lockwasher (AU) onto control assembly (A).

38. Using 15/16 inch wrench, install nut (AV) onto control assembly (A).

39. Install new packing (AW) onto brake control nut (AX).

40. Using 15/16 inch wrench, install brake control nut (AX) onto control assembly (A).

41. Using 9/16 inch wrench, install nut (AY) onto control assembly (A).

42. Using 9/16 inch wrench to hold nut (AY), use adjustable wrench to install connector (AZ) onto control assembly (A).

43. Position clamp (BA) onto control assembly (A).

44. Using 9/16 inch wrench, install screw and lockwasher (BB).

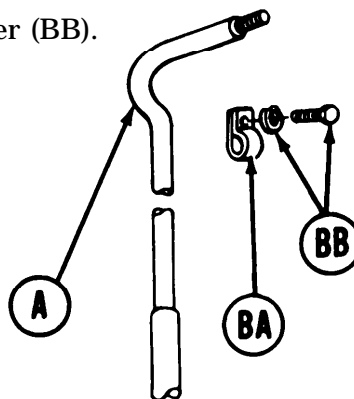
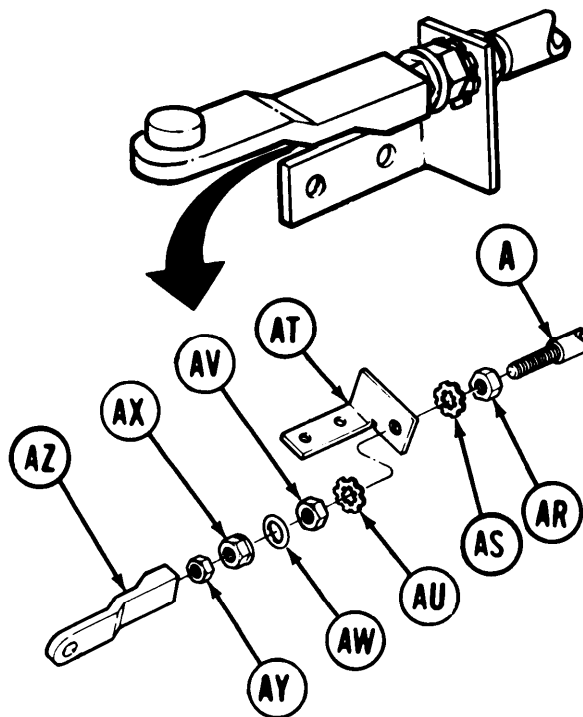
45. Install powerplant (page 5-14).

46. Perform parking brake adjustment (page 13-130).

47. Install operator's floor access cover (page 17-17).

48. Place transmission shift lever at P (park) (TM 5-5420-226-10).

49. Remove blocks from tracks (TM 5-5420-226-10).



End of Task

TA169230

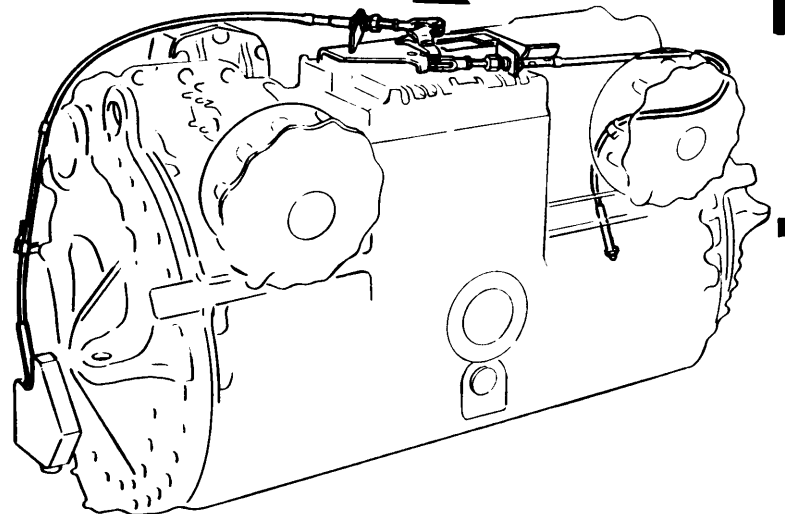
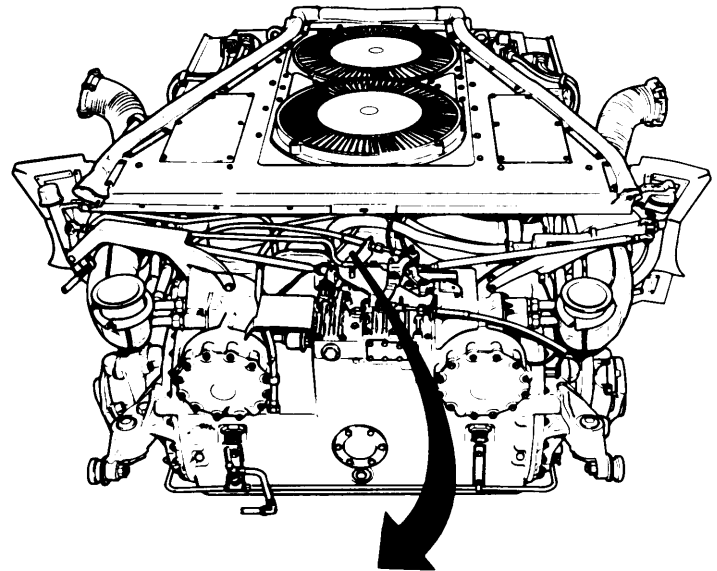
**PARKING BRAKE CONTROL ASSEMBLY (ENGINE COMPARTMENT) REPLACEMENT (Sheet 1 of 15)**

PROCEDURE INDEX

PROCEDURE	PAGE
Removal	13-107
Installation	13-114

- TOOLS:** 9/16 in. socket with 1/2 in. drive  
 Screwdriver, flat-tip, 1/4 in. tip  
 Screwdriver, flat-tip, 3/8 in. tip  
 7/16 in. socket with 1/2 in. drive  
 3/4 in. socket with 1/2 in. drive  
 Universal joint with 1/2 in. drive  
 Ratchet with 1/2 in. drive  
 10 in. extension with 1/2 in. drive  
 7 in. long nosed pliers  
 Torque wrench, 0-1751b-ft with 1/2 in. drive  
 7/16 in. open end wrench  
 9/16 in. open end wrench (2)  
 8 in. adjustable wrench  
 15/16 in. open end wrench (2)  
 7/8 in. open end wrench  
 6 in. scale  
 9/16 in. crowfoot with 1/2 in. drive

- SUPPLIES:** Gasket  
 Preformed packings  
 Packing with retainer  
 Grease pencil  
 Paper (Item 80, Appendix D)



**PRELIMINARY PROCEDURES:**

- Block tracks to prevent vehicle movement (TM 5-5420-226-10)
- Place shift lever at N (neutral position) (TM 5-5420-226-10)
- Remove powerplant (page 5-2)

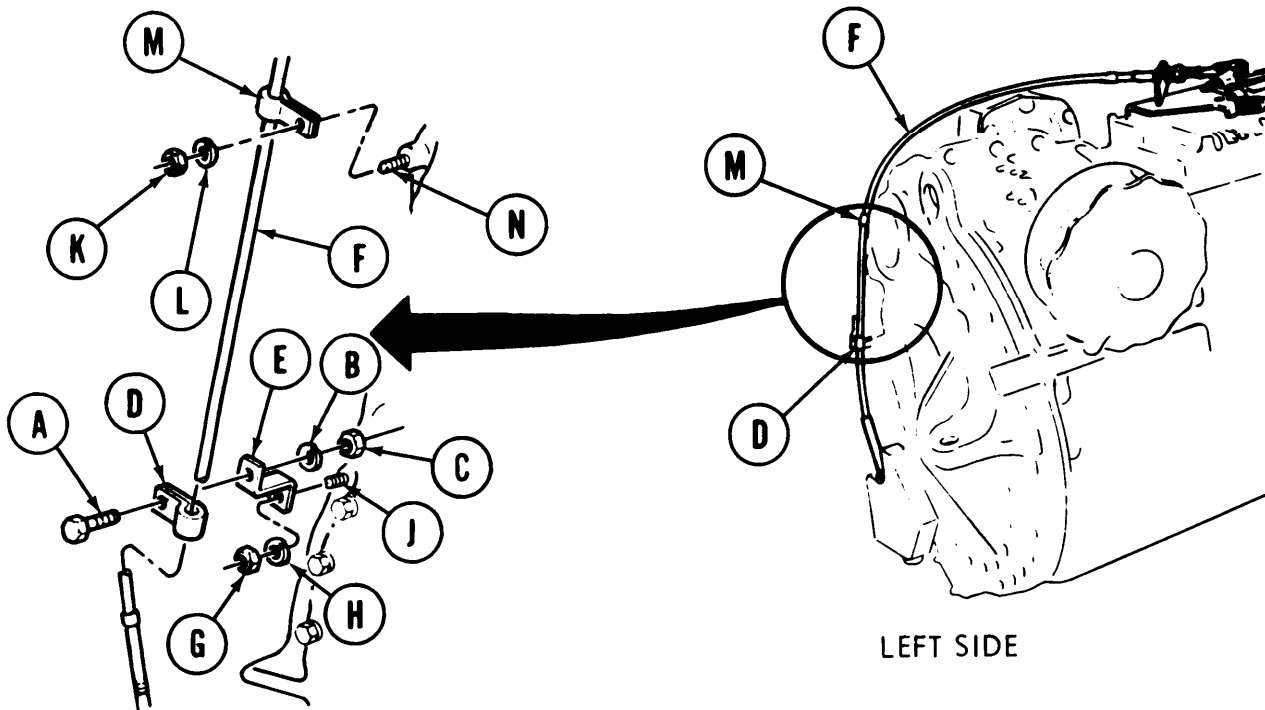
Go on to Sheet 2

PARKING BRAKE CONTROL ASSEMBLY (ENGINE COMPARTMENT) REPLACEMENT (Sheet 2 of 15)

REMOVAL:

NOTE

Replacement of left and right control assembly is the same, except for location of clamps and routing of cable assemblies.



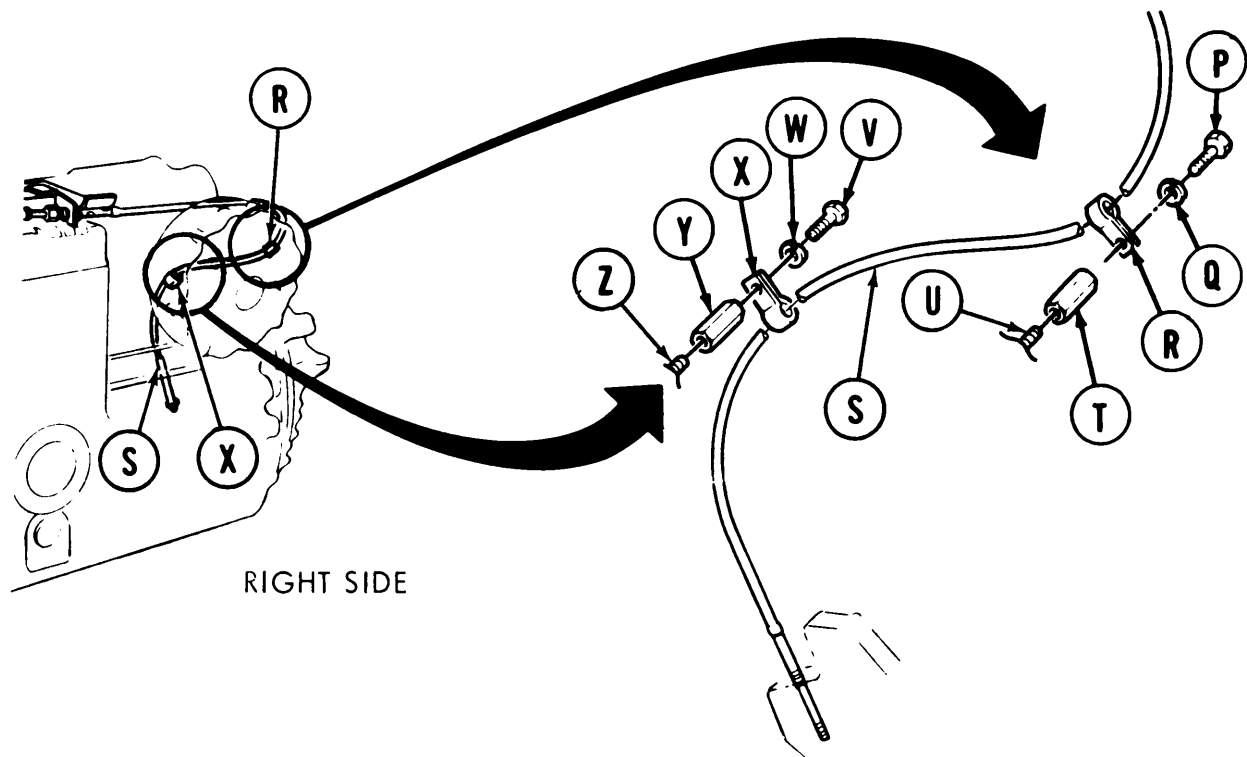
1. Using 7/16 inch socket and 7/16 inch wrench, remove screw (A), washer (B), and nut (C) holding clamp (D) to bracket (E).
2. Using flat-tip screwdriver to pry open, remove clamp (D) from control assembly (F).
3. Using 3/4 inch socket with 10 inch extension, remove nut (G) and washer (H) from stud (J).
4. Remove bracket (E).
5. Using 3/4 inch socket, 10 inch extension, and universal joint remove nut (K) and washer (L).
6. Using flat-tip screwdriver to pry open, remove clamp (M) from stud (N) and control assembly (F).

Go on to Sheet 3

TA169232



PARKING BRAKE CONTROL ASSEMBLY (ENGINE COMPARTMENT) REPLACEMENT(Sheet 3 of 15)

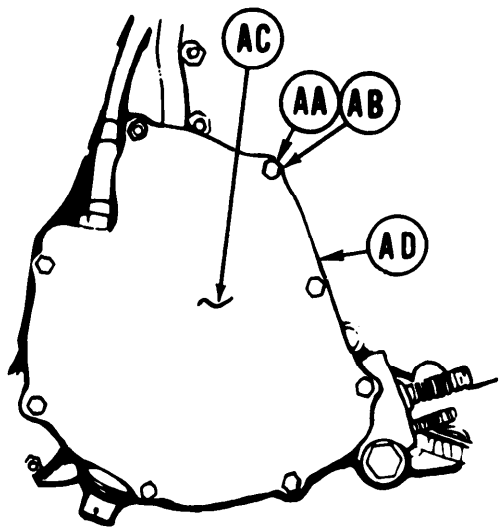


7. Using 3/4 inch socket, remove screw (P) and washer (Q).
8. Using flat-tip screwdriver to pry open, remove clamp (R) from control assembly (s).
9. Using 3/4 inch socket, remove spacer nut (T) from stud (U).
10. Using 3/4inch socket,screw (V) and washer (W).
11. Using flat-tip screwdriver to pry open, remove clamp (X) from control assembly (s).
12. Using 3/4 inch socket, remove spacer nut (Y) from stud(Z).

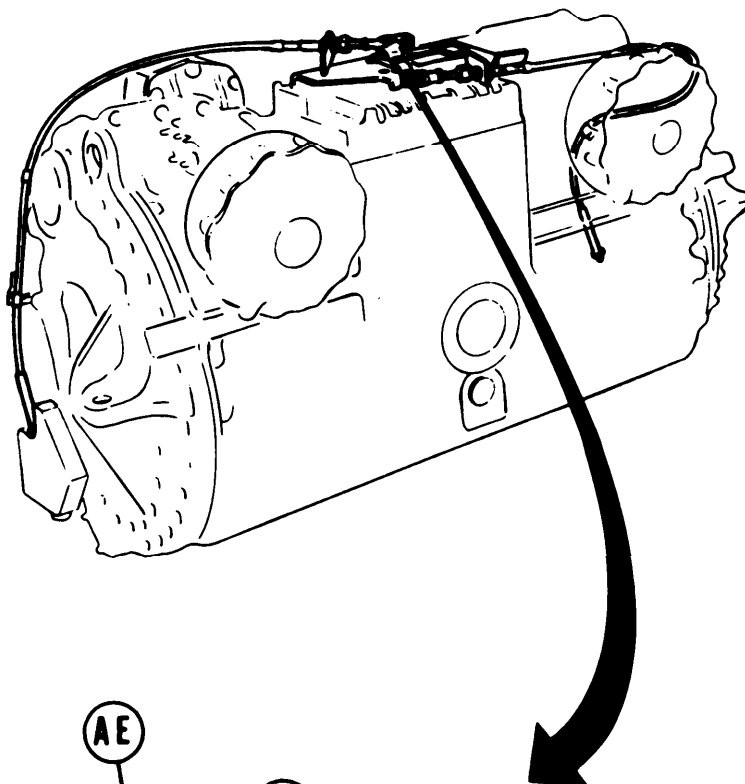
Go onto Sheet 4

TA169233

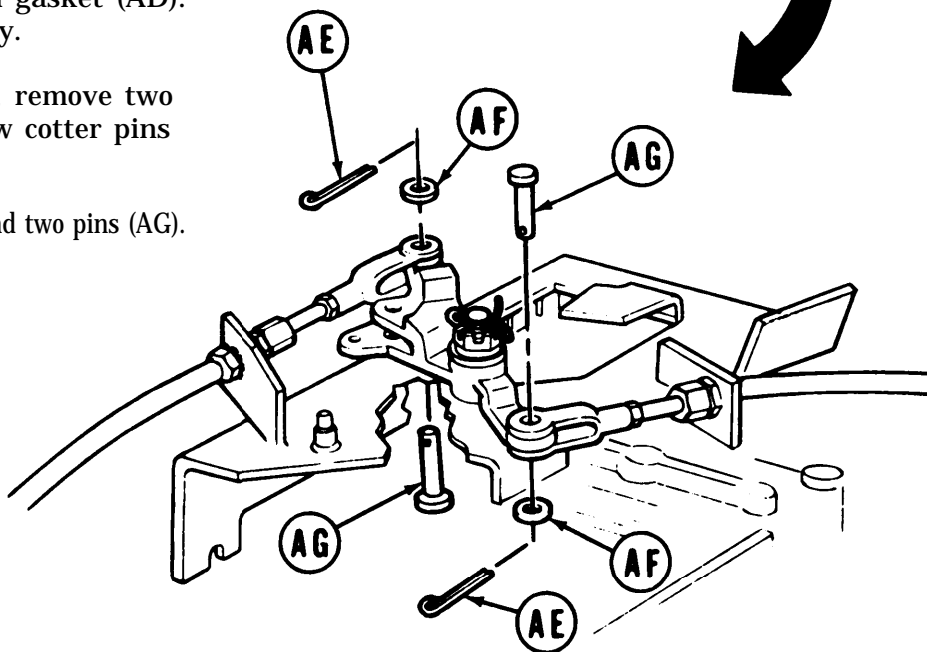
PARKING BRAKE CONTROL ASSEMBLY (ENGINE COMPARTMENT) REPLACEMENT (Sheet 4 of 15)



LEFT SIDE SHOWN



13. Using 7/16 inch socket, remove eight nuts (AA) and washers (AB).
14. Remove cover (AC) and gasket (AD). Throw gasket (AD) away.
15. Using long nosed pliers, remove two cotter pins (AE). Throw cotter pins (AE) away.
16. Remove washers (AF) and two pins (AG).

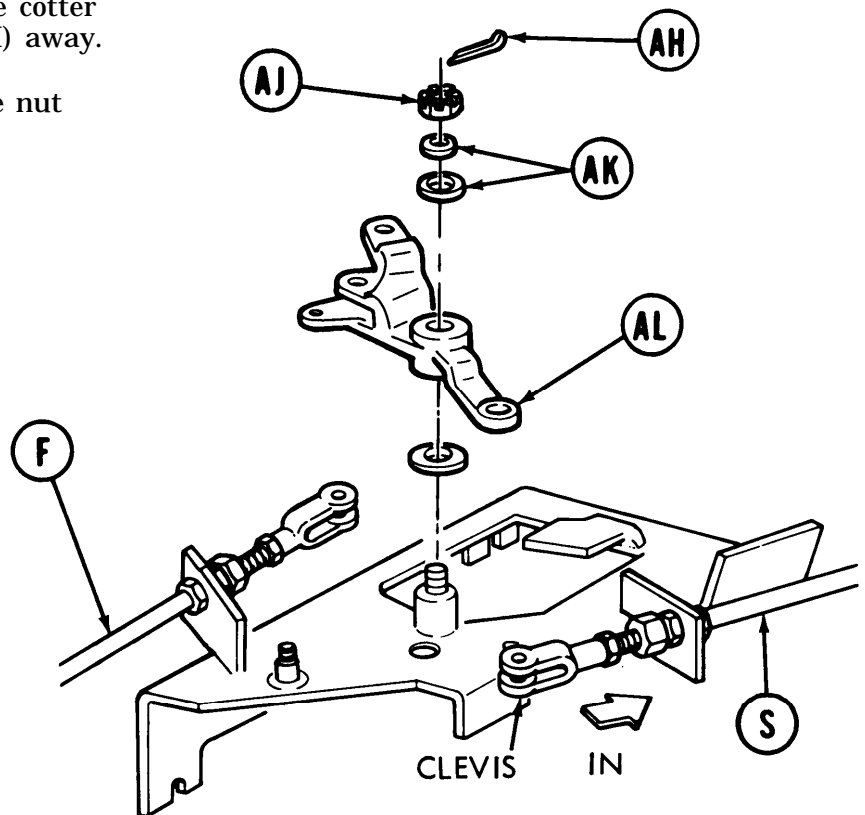


RIGHT CONTROL  
ASSEMBLY TA169234

Go on to Sheet 5

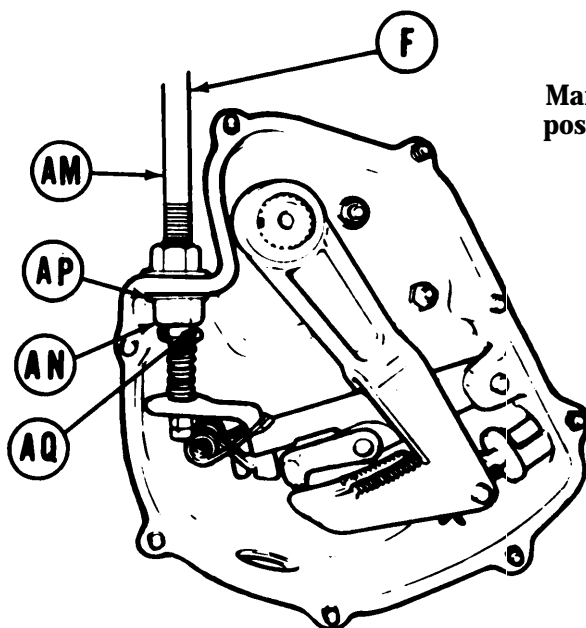
**PARKING BRAKE CONTROL ASSEMBLY (ENGINE COMPARTMENT) REPLACEMENT (Sheet 5 of 15)**

17. Using long nosed pliers, remove cotter pin (AH). Throw cotter pin (AH) away.
18. Using 9/16 inch wrench, remove nut (AJ).
19. Remove two flat washers (AK).
20. Remove bellcrank (AL).



**NOTE**

Manually move control assemblies (F) and (S) into "P park position by pushing both clevis in.

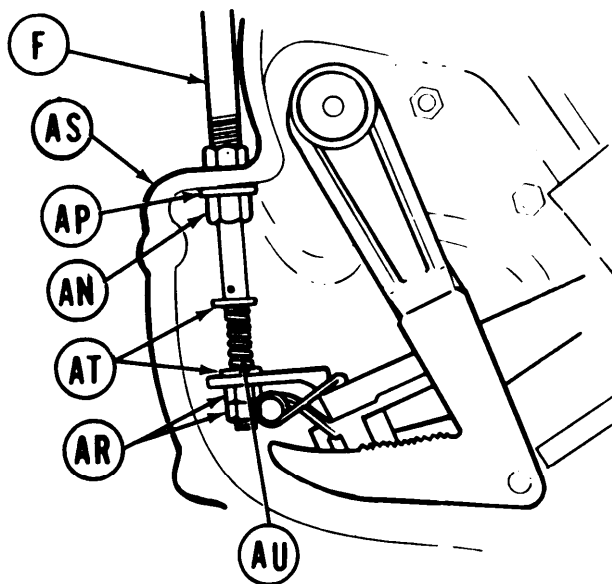


21. Using 9/16 inch wrench on flats (AM) of control assembly (F) and 7/8 inch wrench on nut (AN), back off nut (AN) until it falls.
22. Using flat-tip screwdriver, pry packing with retainer (AP) off control assembly until it falls onto nut (AN).
23. Using long nosed pliers, remove cotter pin (AQ). Throw cotter pin (AQ) away.

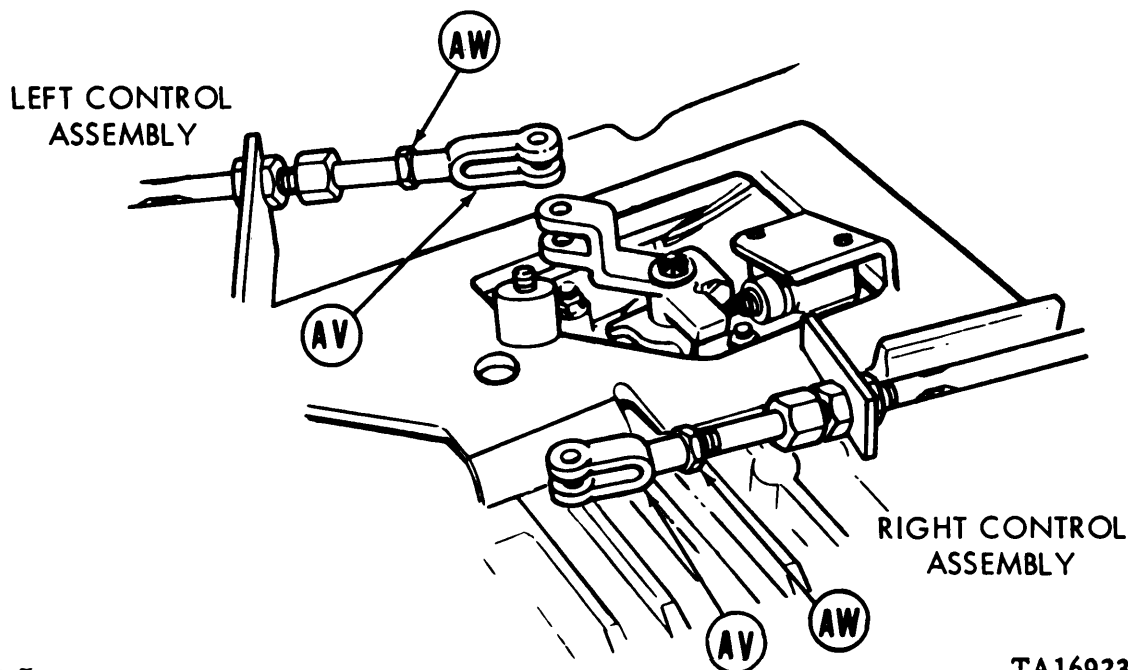
Go on to Sheet 6

TA169235

PARKING BRAKE CONTROL ASSEMBLY (ENGINE COMPARTMENT) REPLACEMENT (Sheet 6 of 15)



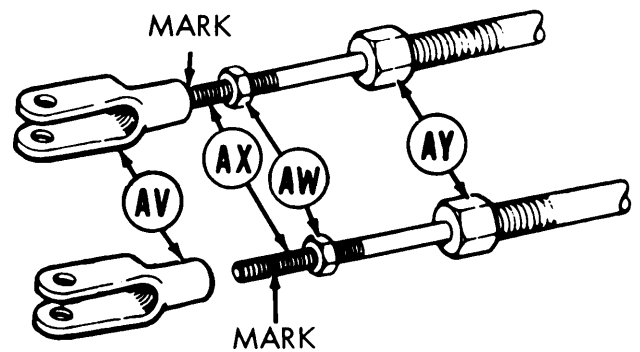
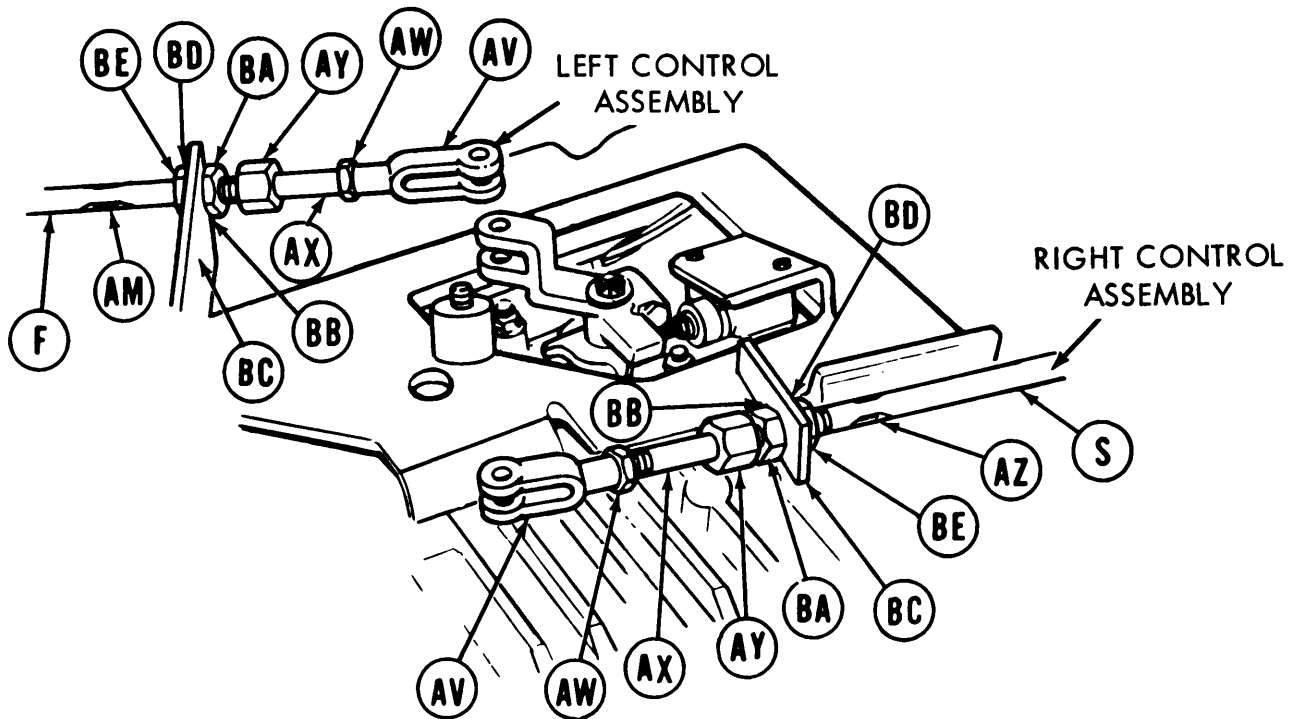
24. Using two 9/16 inch wrenches, remove two nuts (AR) by removing lower nut first while holding upper nut.
25. Pull control assembly (F) out of housing (AS). When control assembly (F) is pulled out, washers (AT), spring (AU), packing with retainer (AP), and nut (AN) will fall free.
26. Throw packing with retainer (AP) away.
27. Using flat-tip screwdriver, remove and throw away preformed packing from inside of nut (AN).
28. Using screwdriver through holes of both clevises (AV) to hold, use 9/16 inch wrench and back off both nuts (AW).



Go on to Sheet 7

TA169236

PARKING BRAKE CONTROL ASSEMBLY (ENGINE COMPARTMENT) REPLACEMENT (Sheet 7 of 15)



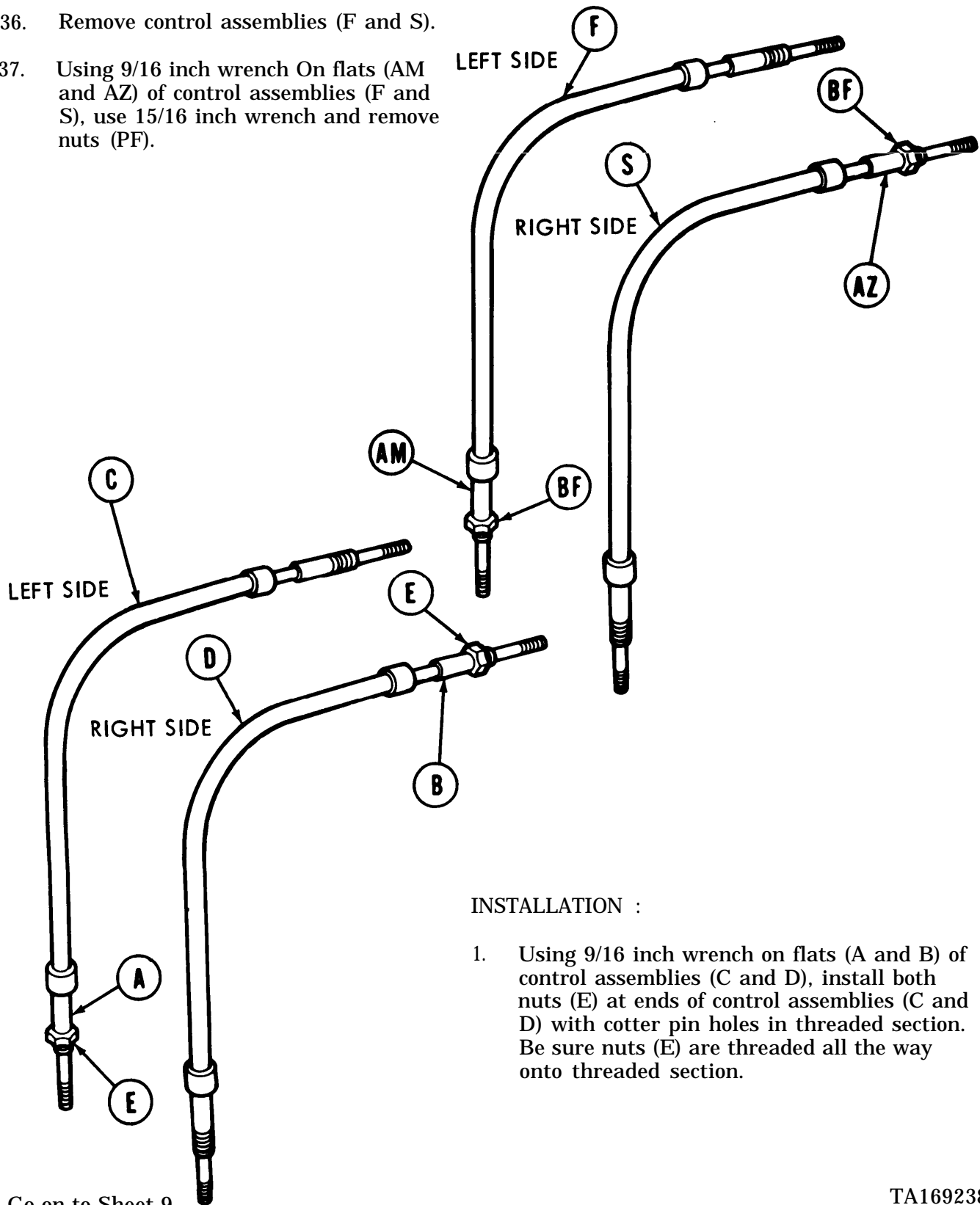
29. Using grease pencil, mark the distance that both clevises (AV) are threaded onto control assembly inner rods (AX).
30. Remove both clevises (AV).
31. Using fingers, remove nuts (AW).
32. Using 15/16 inch wrench, remove both nuts (AY).
33. Using 9/16 inch wrench to hold flats (AM and AZ) of control assemblies (F and S) and using 15/16 inch wrench, remove nuts (BA) and washers (BB).
34. Pull control assemblies (F and S) out of brackets (BC).
35. Using 15/16 inch wrench, remove washers (BD) and nuts (BE).

Go on to Sheet 8

TA169237

PARKING BRAKE CONTROL ASSEMBLY (ENGINE COMPARTMENT) REPLACEMENT (Sheet 8 of 15)

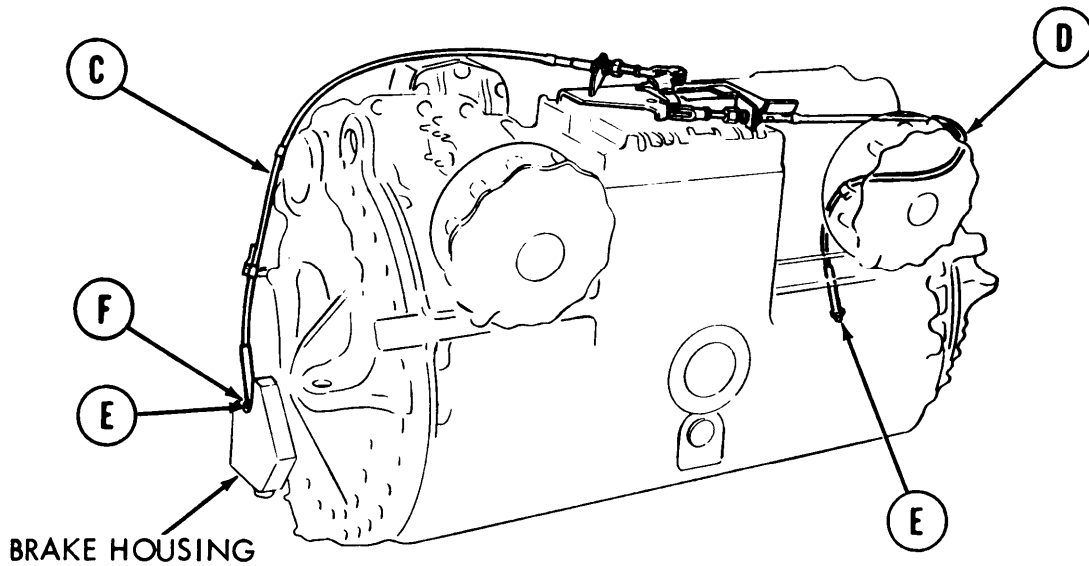
36. Remove control assemblies (F and S).
37. Using 9/16 inch wrench On flats (AM and AZ) of control assemblies (F and S), use 15/16 inch wrench and remove nuts (PF).



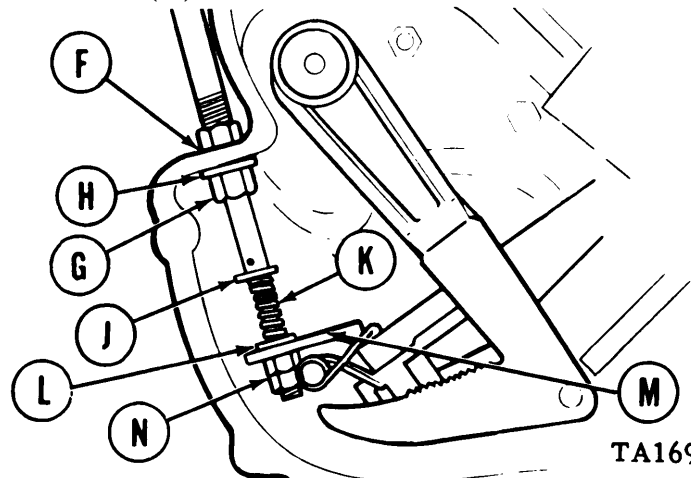
Go on to Sheet 9

TA169238

PARKING BRAKE CONTROL ASSEMBLY (ENGINE COMPARTMENT) REPLACEMENT (Sheet 9 of 15)



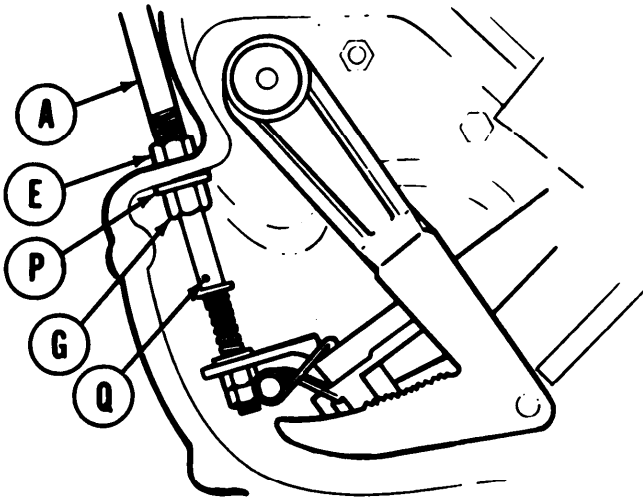
2. Position control assemblies (C and D) to transmission. Place ends with nuts(E) at brake housings.
3. Position control assemblies (C and D) through holes (F) in brake housings.
4. Install new preformed packing into nuts (G) before installing.
5. While inserting control assemblies (C and D), install the following parts in the following order: new packing with new retainer (H), nut with new packing (G), washer (J), spring (K), and washer (L).
6. Continue inserting control assemblies (C and D), guide ends of rods through brake lever (M), and install nuts (N) onto rod ends. It may be necessary to compress springs (K) to permit rod ends to pass through brake levers (M).



Go on to Sheet 10

TA169239

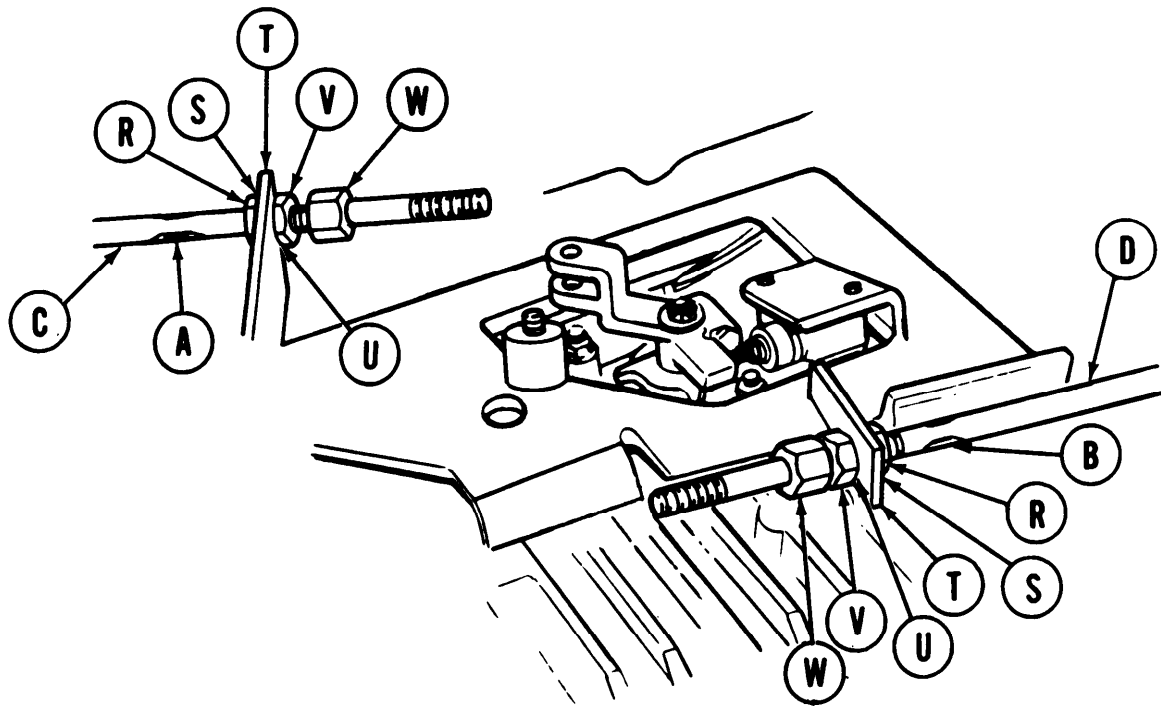
PARKING BRAKE CONTROL ASSEMBLY (ENGINE COMPARTMENT) REPLACEMENT (Sheet 10 of 15)



7. Using 9/16 inch wrench on control assembly flats (A) to hold, use 7/8 inch wrench and tighten nut (G) until it cannot be tightened any more.
8. Using 9/16 inch wrench on control assembly flats (A) to hold, use 15/16 inch wrench to tighten nut (E) to housing (P). Using another 15/16 inch wrench, tighten nut (E).
9. Using long nosed pliers, install two new cotter pins into holes (Q). Bend cotter pins to prevent them from falling out.



PARKING BRAKE CONTROL ASSEMBLY (ENGINE COMPARTMENT) REPLACEMENT (Sheet 11 of 15)



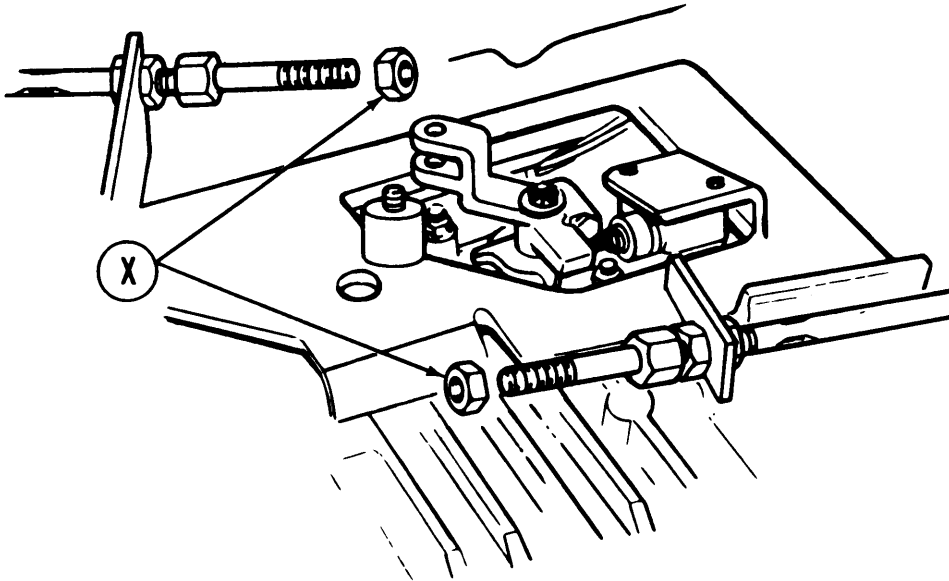
10. Install nuts (R) and washers (S) over end of control assemblies (C and D). Thread nuts (R) to ends of threaded sleeves.
11. Insert ends of control assemblies (C and D) through brackets (T).
12. Install washers (U) and nuts (V) onto control assemblies (C and D).
13. Install new preformed packings into nuts (W) and install nuts (W) onto control assemblies (C and D).
14. Using 9/16 inch wrench on flats (A and B) to hold, use 15/16 inch wrench and tighten nuts (W) until they cannot be tightened any more.
15. Using two 15/16 inch wrenches, tighten nuts (R and V) to bracket (T).

Go on to Sheet 12

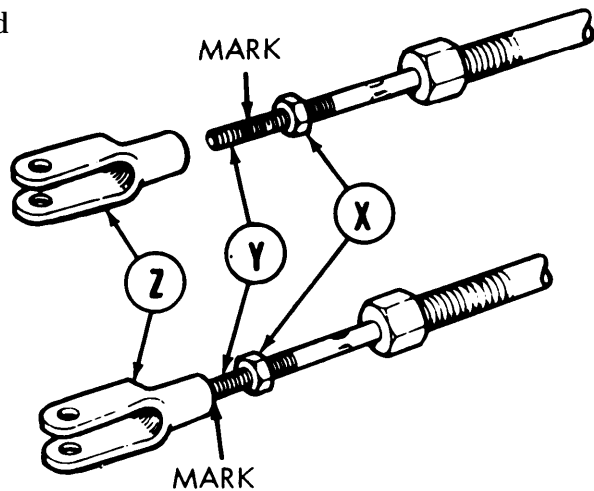
TA169241

PARKING BRAKE CONTROL ASSEMBLY (ENGINE COMPARTMENT) REPLACEMENT (Sheet 12 of 15)

16. Install nuts (X) onto ends of control assemblies.
17. Measure, record, and mark on control assembly rod ends (Y) the distance both clevises (Z) are to be threaded on. (The distance was measured and recorded during removal of clevis step 29 .)



18. Install both clevises (Z) on rod ends. Thread clevis up to measured mark.

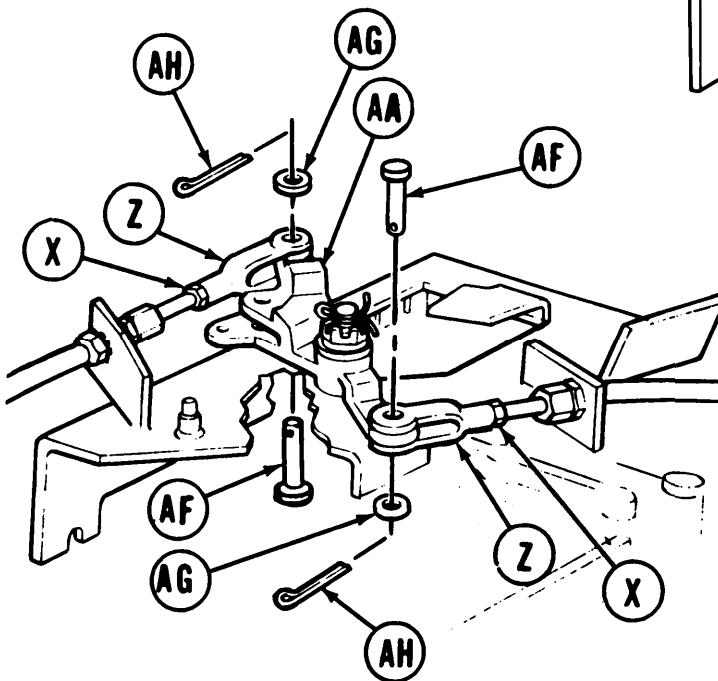
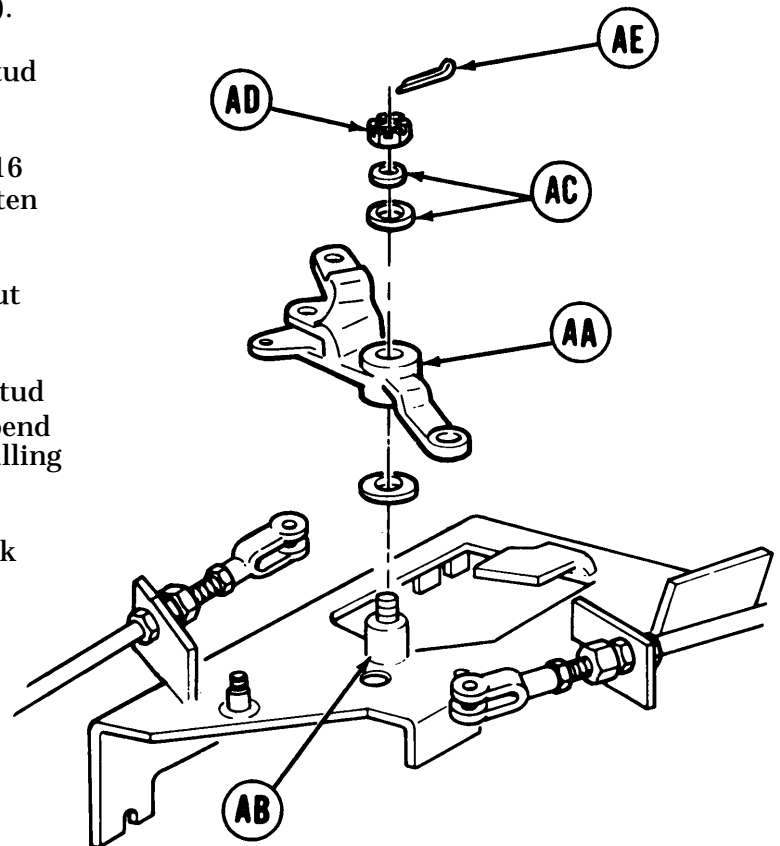


Go on to Sheet 13

TA169242

**PARKING BRAKE CONTROL ASSEMBLY (ENGINE COMPARTMENT) REPLACEMENT (Sheet 13 of 15)**

19. Install bellcrank (AA) onto stud (AB).
20. Install two flat washers (AC) onto stud (AB).
21. Install nut (AD) onto stud. Using 9/16 inch socket and torque wrench, tighten nut (AD) to 19-21 lb-ft (26-34 N•m).
22. Back off nut (AD) to aline slots in nut with hole in stud (AB).
23. Install new cotter pin (AE) through stud (AB) hole. Using long nosed pliers, bend cotter pin (AE) to prevent it from falling out.
24. Position both clevises (Z) to bellcrank (AA).

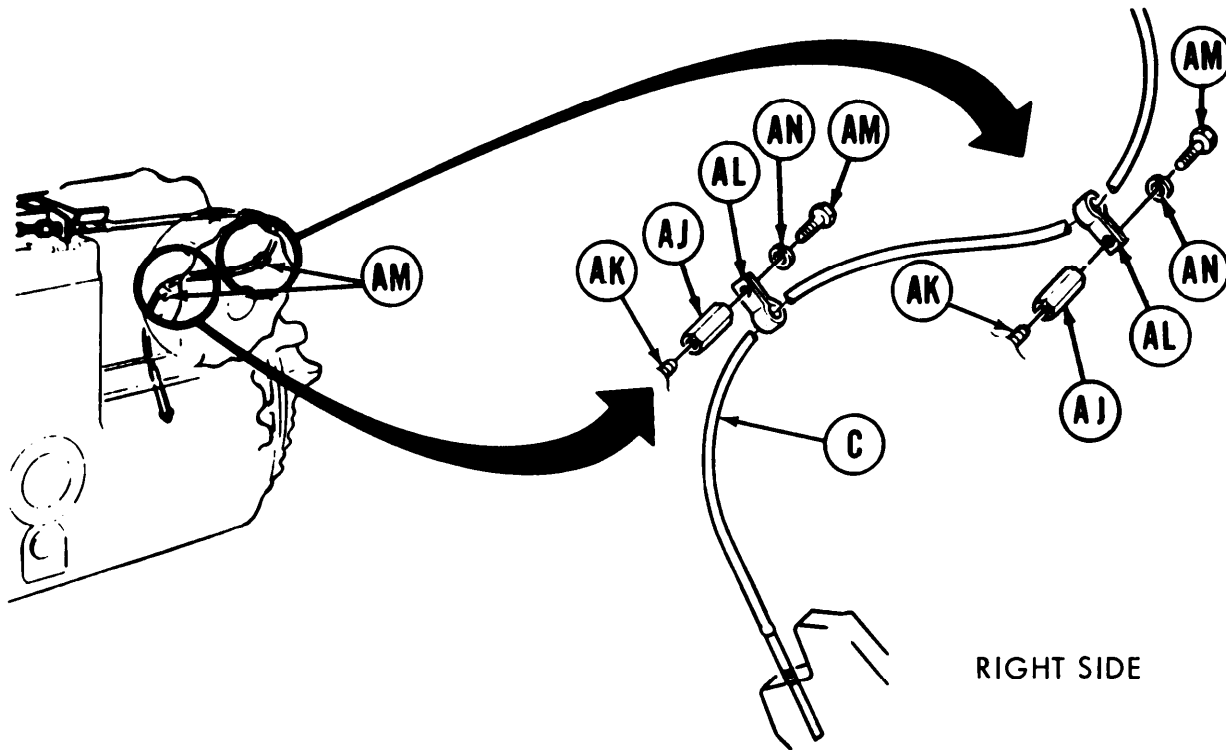


25. Install pins (AF) and washers (AG) to secure clevis (Z) to bellcrank (AA).
26. Install new cotter pins (AH) through hole in pins (AF).
27. Using long nosed pliers, bend cotter pins (AH) to prevent them from falling out.
28. Using screwdriver to hold clevis (Z), use 9/16 inch crowfoot and torque wrench to tighten nuts (X) to 28-30 lb-ft (38-41 N•m).

Go on to Sheet 14

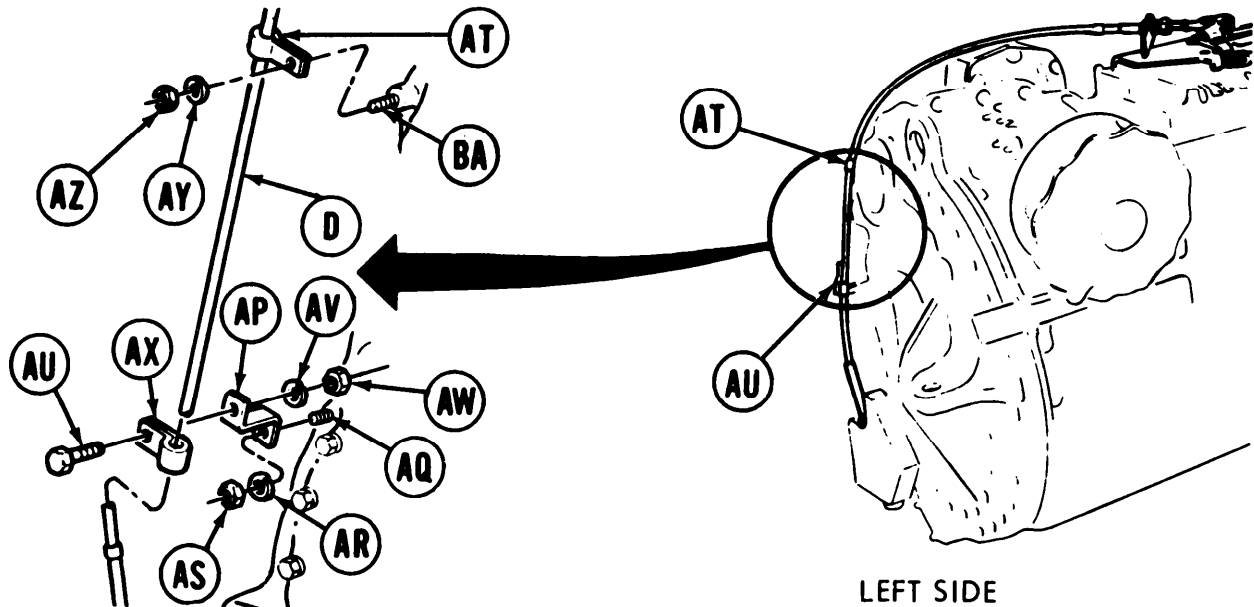
TA169243

PARKING BRAKE CONTROL ASSEMBLY (ENGINE COMPARTMENT) REPLACEMENT (Sheet 14 of 15)



29. Using 3/4 inch socket, install both spacer nuts (AJ) to studs (AK). Using torque wrench, tighten nuts (AJ) to 54-59 lb-ft (72-80 N•m).
30. Using screwdriver to pry open, position clamps (AL) on control assembly (C).
31. Install screws (AM) and washers (AN) to secure clamps (AL). Using 3/4 inch socket, tighten screws (AM).
32. Adjust clamps (AL) to maintain a minimum of 3/4 inch clearance between control assembly and turbocharger.

## PARKING BRAKE CONTROL ASSEMBLY (ENGINE COMPARTMENT) REPLACEMENT (Sheet 15 of 15)



33. Position bracket (AP) on transmission stud (AQ).
34. Install washer (AR) and nut (AS) to secure bracket (AP). Using 3/4 inch socket, tighten nut (AS).
35. Using torque wrench, tighten nut (AS) to 54-59 lb-ft(72-80 N•m)
36. Using screwdriver to pry open, install clamp (AT) on control assembly (D).
37. Install screw (AU), lockwasher (AV) and nut (AW) to secure clamp (AX) to bracket (AP).
38. Using 7/16 inch open end wrench to hold nut (AW) and 7/16 inch socket and torque wrench on screw (AU), tighten screw (AU) to 6-8 lb-ft (8-11 N•m).
39. Adjust clamp (AT) to allow clearance between control assembly and transmission oil filler tube bracket.
40. Install washer (AY) and nut (AZ) to secure clamp (AT) to stud (BA).
41. Using 3/4 inch socket, universal joint, and extension, tighten nut (AZ).
42. Using torque wrench, tighten nut (AZ) to 54-59 lb-ft (72-80 N•m).
43. Adjust clamp to maintain minimum 3/4 inch clearance between control assembly (D) and turbocharger.
44. Perform parking brake pawl and bellcrank adjustment (page 13-130).
45. Install powerplant (page 5-14).
46. Remove blocks from tracks and place shift lever in P (park) (TM 5-5420-226-10).

End of Task

TA169245

**BELLCRANK REPLACEMENT**

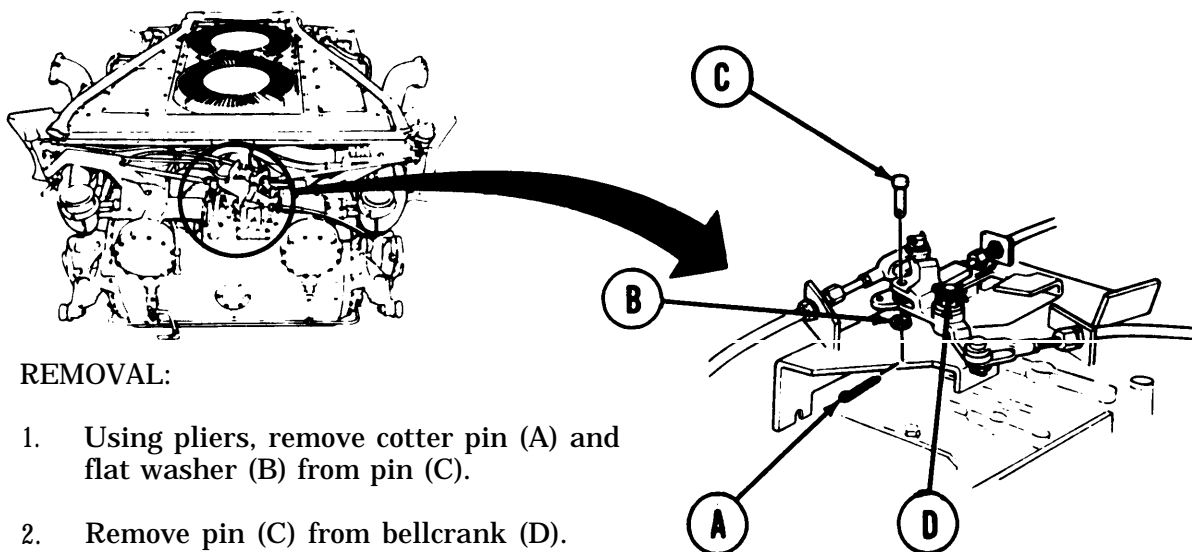
PROCEDURE INDEX

PROCEDURE	PAGE
Removal	13-122
Installation	13-124

TOOLS: 9/16 in. combination box and open end wrench  
 Torque wrench with 1/2 in. drive (0-175 lb-ft) (0-237 N•m)  
 Long round nose pliers (needle nose)  
 Bench vise  
 Vise jaw caps  
 1 lb. hammer  
 Punch drive pin 3/8 in. dia.  
 9/16 in. socket with 1/2 in. drive

SUPPLIES: Bushing 10911710

PRELIMINARY PROCEDURES: Block tracks (TM 5-5420-226-10)  
 Place transmission in N (neutral) (TM 5-5420-226-10)  
 Remove transmission shroud (page 9-2).



REMOVAL:

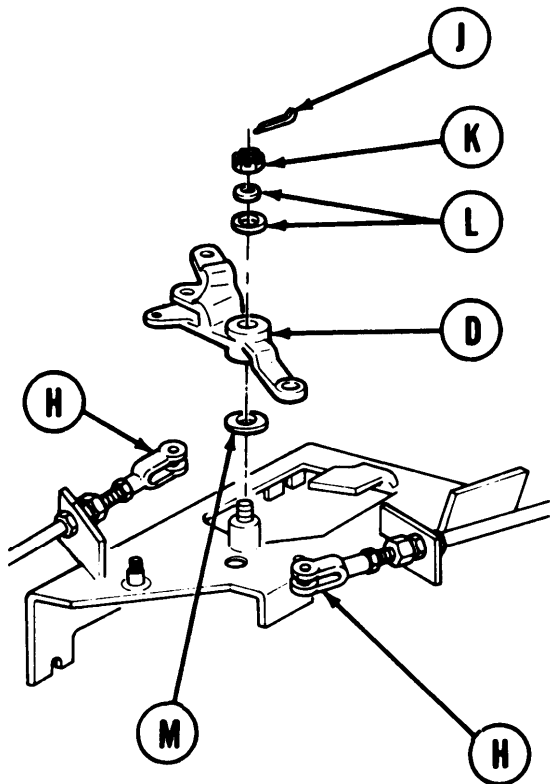
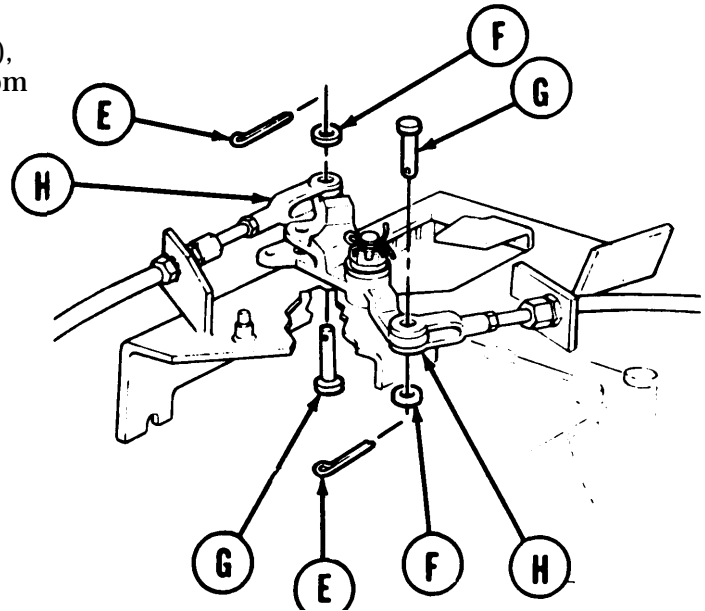
1. Using pliers, remove cotter pin (A) and flat washer (B) from pin (C).
2. Remove pin (C) from bellcrank (D).

Go on to Sheet 2

TA169246

**BELLCRANK REPLACEMENT (Sheet 2 of 4)**

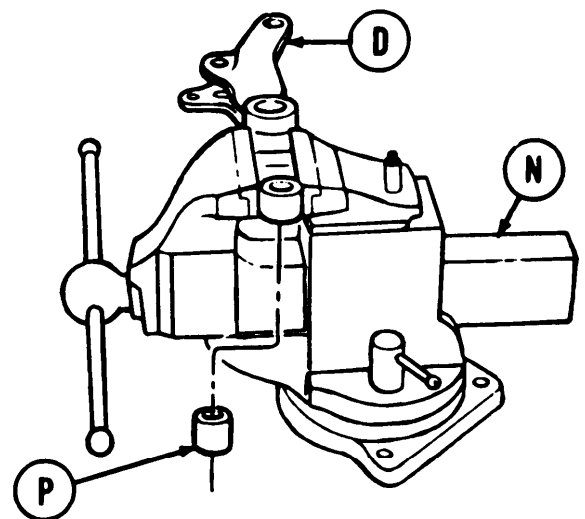
3. Using pliers, remove two cotter pins (E), two washers (F), and two pins (G) from clevises (H).



4. Using pliers, remove cotter pin (J).
5. Using 9/16 inch wrench, remove nut (K) and two flat washers (L).
6. Displace clevises (H).
7. Remove bellcrank (D) and flat washer (M).

Place vise jaw caps on jaws of bench vise (N).

9. Place bellcrank (D) in bench vise (N).
10. Using punch and hammer, drive out bearing (P) from bellcrank (D).



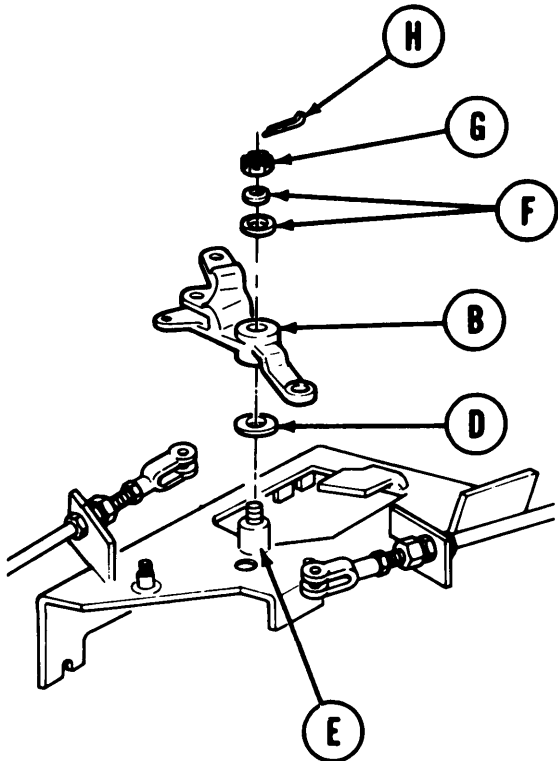
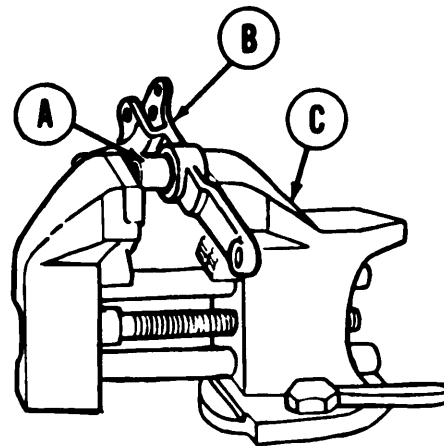
Go on to Sheet 3

TA169247

**BELLCRANK REPLACEMENT (Sheet 3 of 4)**

INSTALLATION:

1. Place new bushing (A) in position in bellcrank (B).
2. Using vise (C) with vise jaw caps on jaws, press bushing (A) into bellcrank (B).



3. Place flat washer (D) and bellcrank (B) in position on control bracket stud (E).
4. Place two flat washers (F) and nut (G) in position on top of bellcrank (B) and onto control bracket stud (E).
5. Using 9/16 inch socket and torque wrench, tighten nut (G) to 19-21 lb-ft (26-28 N•m).

6. Aline slot of nut (G) with hole of control bracket stud (E).
7. Using pliers, install new cotter pin (H). Bend cotter pin (H) so that it will not fall out.

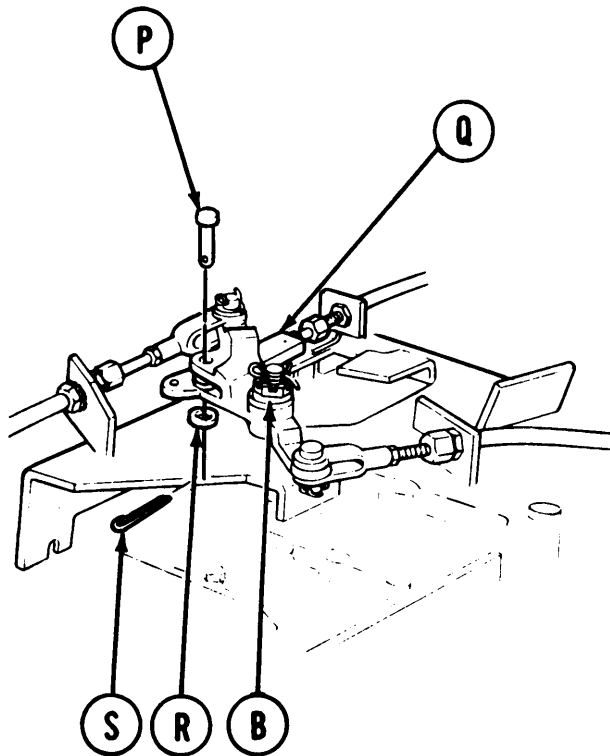
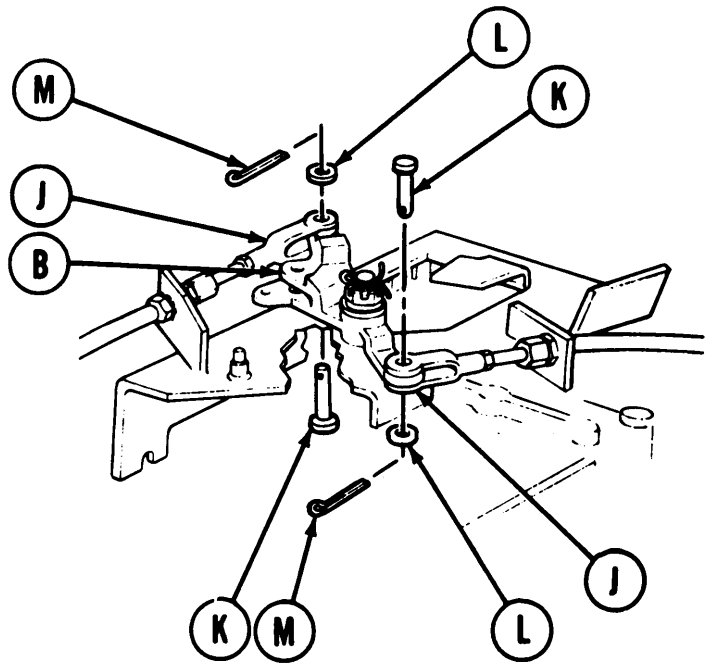
Go on to Sheet 4

TA169248



**BELLCRANK REPLACEMENT (Sheet 4 of 4)**

8. Aline holes of bellcrank (B) with holes in both clevises (J).
9. Place two pins (K) through both clevises (J) and bellcrank (B).
10. Using pliers, install two flat washers (L) and two new cotter pins (M).



11. Place pin (P) through cable (Q) and bellcrank (B).
12. Using pliers, install flat washer (R) and new cotter pin (S). Bend cotter pin so it will not fall out.

13. Install transmission shroud (page 9-6).
14. Remove blocks from tracks (TM 5-5420-226-10).
15. Place shift lever into P (park) (TM 5-5420-226-10).

End of Task

TA169249

**PARKING BRAKE CABLE ADJUSTMENT (Sheet 1 of 4)**

TOOLS: 15/16 in. open end wrench (2 required)  
Ratchet with 1/2 in. drive  
Slip joint pliers  
6 in. ruler  
Torque wrench with 1/2 in. drive (0-175 lb~ft) (0-237 N•m)

SPECIAL TOOL: 9/16 in. crowfoot with 1/2 in. drive ( Chapter 3, Section I)

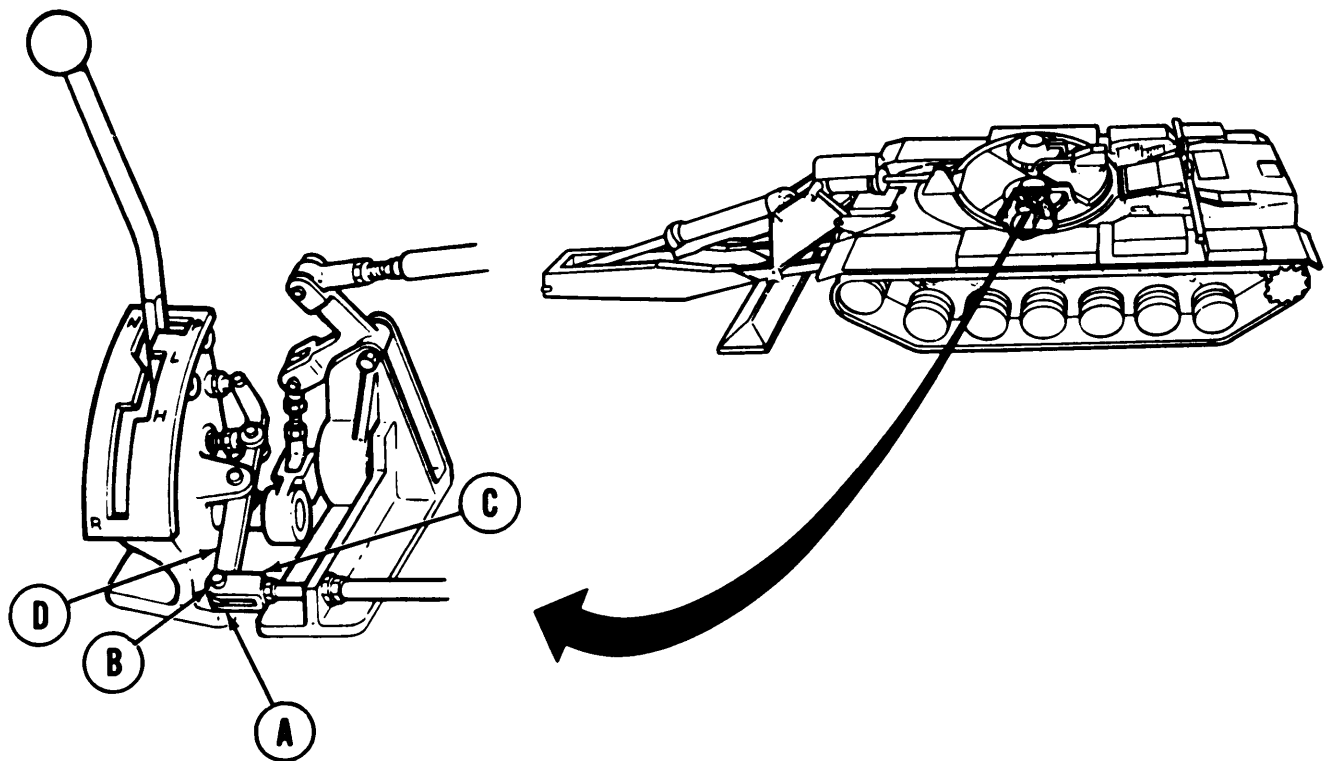
SUPPLIES: Cotter pins  
Pencil  
Pin (1/8 in. diameter welding rod, 4 in. long)  
Paper

REFERENCE: TM 5-5420-226-10

PRELIMINARY PROCEDURES: Remove transmission stroud (page 9-2)  
Block vehicle tracks (TM 5-5420-226-10)

**CABLE ADJUSTMENT:**

1. Set transmission shift lever to P (park) position (TM 5-5420-226-10 ).
2. Using pliers, remove cotter pin (A) and pin (B) holding brake cable clevis (C) to parking brake lever (D). Throw away cotter pin (A).



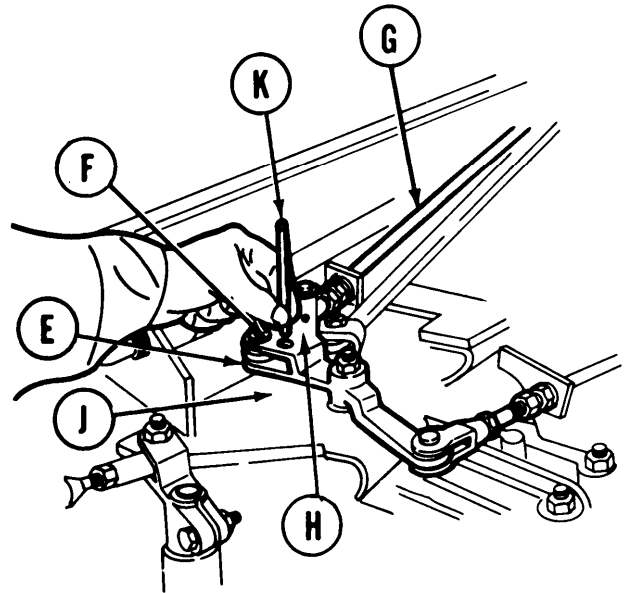
Go on to Sheet 2

TA169250

**PARKING BRAKE CABLE ADJUSTMENT (Sheet 2 of 4)**

- Using pliers, remove clip (E) and pin (F) holding brake cable (G) to bellcrank (H) at brake controls bracket (J).

- Rotate bellcrank (H) to align holes in bellcrank (H) with hole in brake controls bracket (J). Insert 1/8 inch pin (K) through bellcrank (H) and bracket (J).

**NOTE**

**Pin (K) must slide up and down freely while performing the remaining adjustment.**

- Push parking brake cable (G) inward until it stops.
- Check forward end of cable at driver's compartment for free movement.

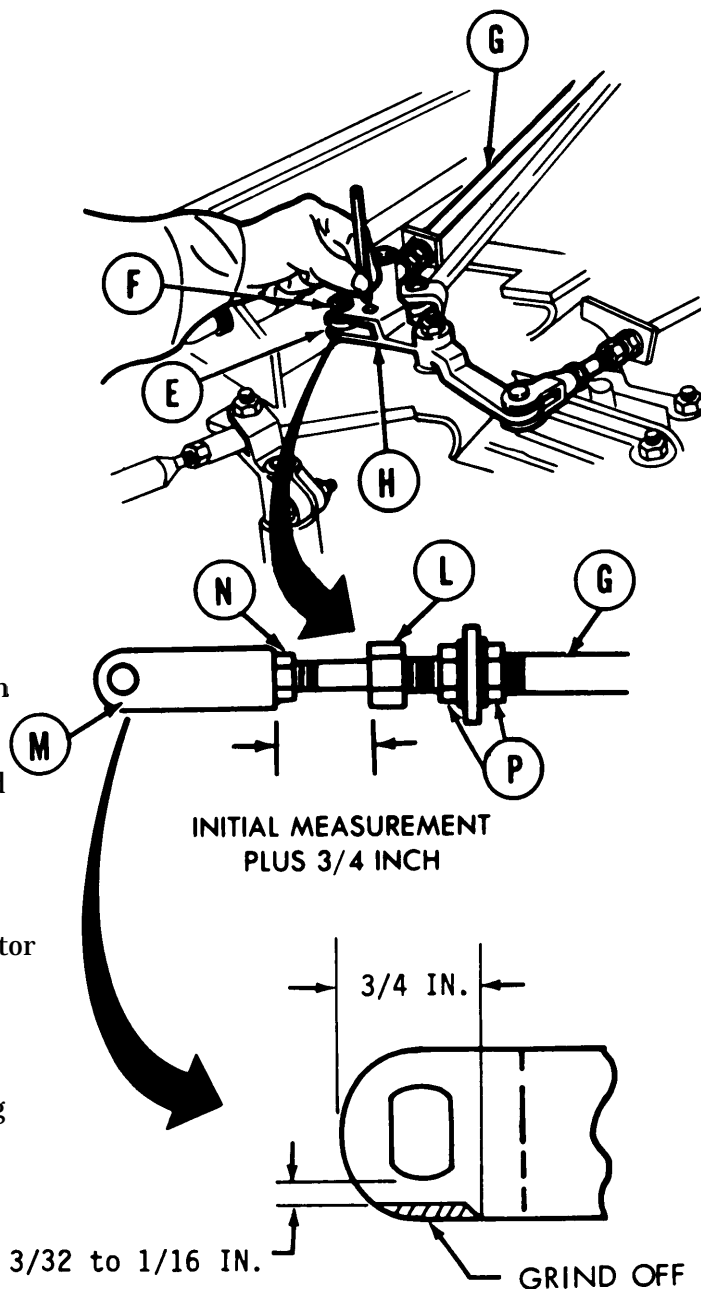
PARKING BRAKE CABLE ADJUSTMENT (Sheet 3 of 4)

7. Using ruler, measure distance between nut (L) and connector (M) after brake cable (G) is pushed inward as far as possible. Record reading.
8. Pull brake cable (G) outward 3/4 inch farther than reading taken in step 7.

NOTE

**Do not change 3/4 inch position when performing steps 9 and 10.**

9. Position connector (M) in bellcrank (H). Insert pin (F) and clip (E). Using torque wrench and 9/16 crow foot wrench, tighten jamnut (N) to 28-30 lb-ft (38-41 N•m). Do not allow cable (G) to turn or damage will result. Nuts and clevises must thread freely on cables (step 10).
10. If pin cannot be freely inserted in connector (M), using 15/16 inch wrench, loosen two nuts (P) and adjust cable travel maintaining distance in step 8 until connector (M) and bellcrank (H) will align. Tighten two nuts (P) after inserting pin and clip. Tighten nuts (P) to 45-50 lb-ft (61-68 N m).

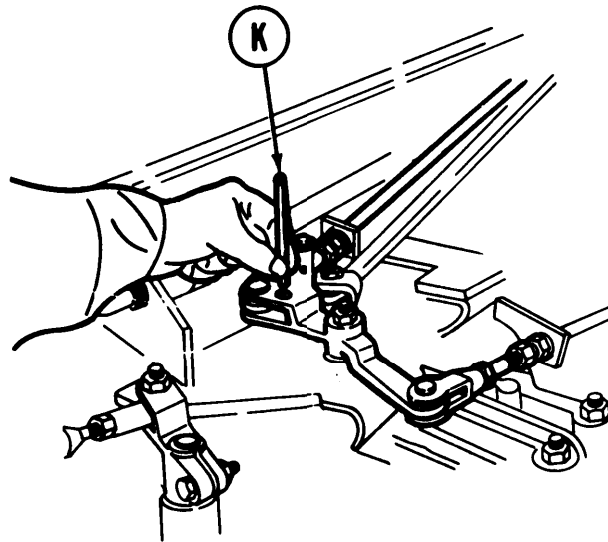
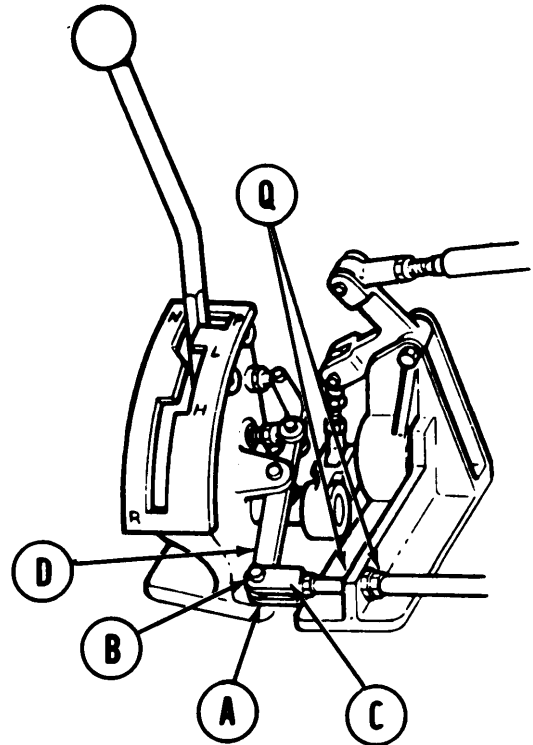


NOTE

**An interference may exist between clevis and locating pin during this adjustment procedure. It may be necessary to grind clevis as shown to eliminate this interference.**

**PARKING BRAKE CABLE ADJUSTMENT (Sheet 4 of 4)**

11. Install parking brake cable clevis (C) to parking brake lever (D), using pin(B) and cotter pin (A).
12. If clevis (C) will not align with parking brake lever (D), using two 15/16 inch wrenches, loosen two nuts (Q) and adjust cable until clevis (C) aligns with lever (D). Install pin (B) and new cotter pin (A).
13. Remove locating pin (K) installed in step 4.
14. Check parking brake for normal operation.
15. Install transmission shroud (page 9-6).
16. Remove blocks from vehicle tracks (TM 5-5420-226-10).



End of Task

TA169253

**PARKING BRAKE PAWL AND BELLCRANK ADJUSTMENT (Sheet 1 of 4)**

TOOLS: 9/16 in. open end wrench (2 required)  
15/16 in. combination box and open end wrench (2 required)  
Ratchet with 1/2 in. drive  
7/16 in. socket with 1/2 in. drive  
Pry bar  
Slip joint pliers

FABRICATED TOOLS: Gage block (2 required)

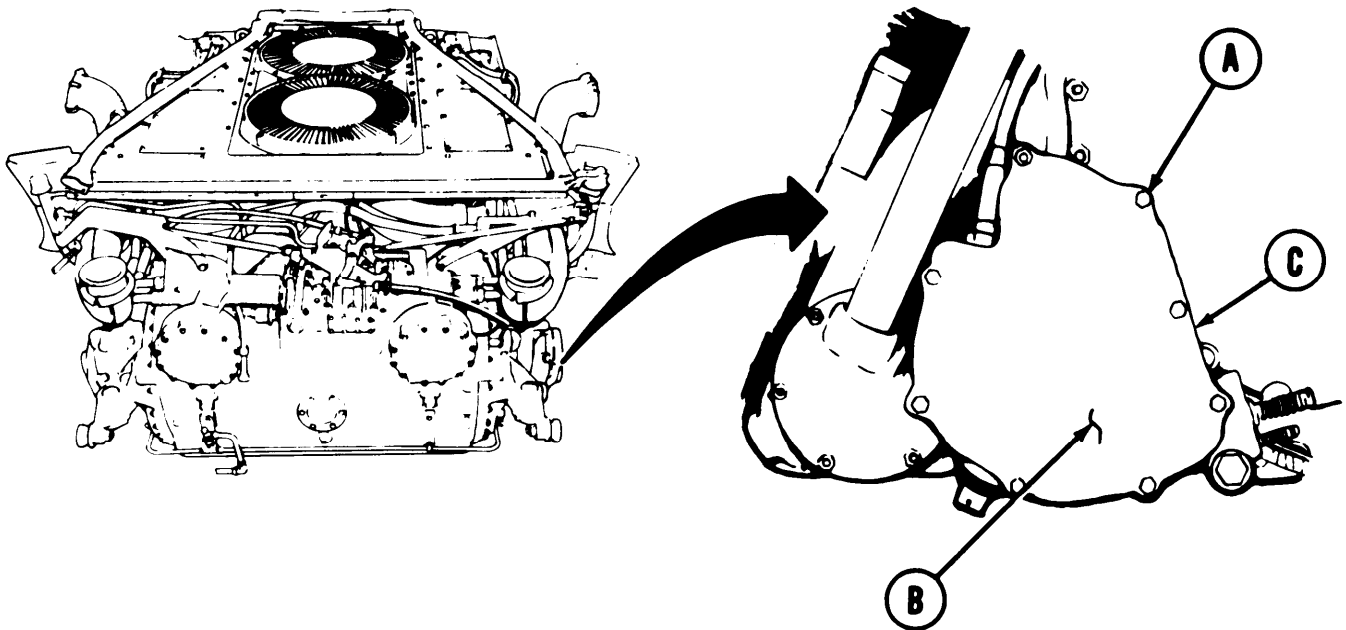
SUPPLIES: 1/8 in. drill or welding rod 4 in. long

REFERENCE: TM 5-5420-226-10

PRELIMINARY PROCEDURE: Remove powerplant (page 5-2)

**ADJUSTMENT**

1. Using 7/16 inch socket, remove eight nuts and eight washers (A) securing covers and gaskets (B) to each brake housing assembly (C).

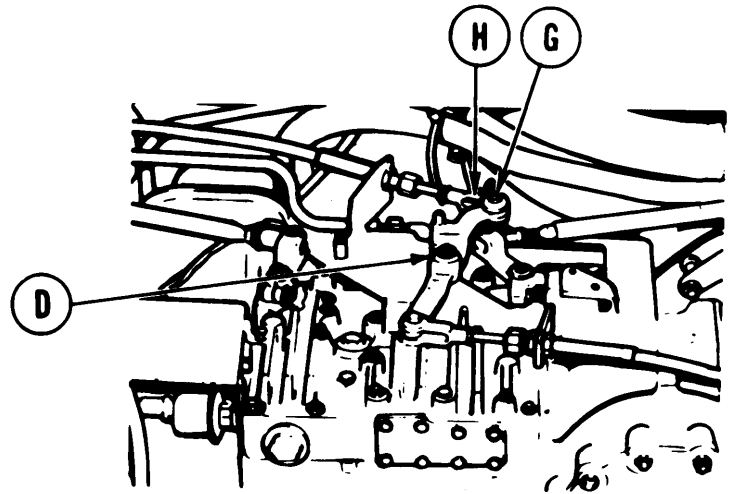


Go on to Sheet 2

TA169254

**PARKING BRAKE PAWL AND BELLCRANK ADJUSTMENT (Sheet 2 of 4)**

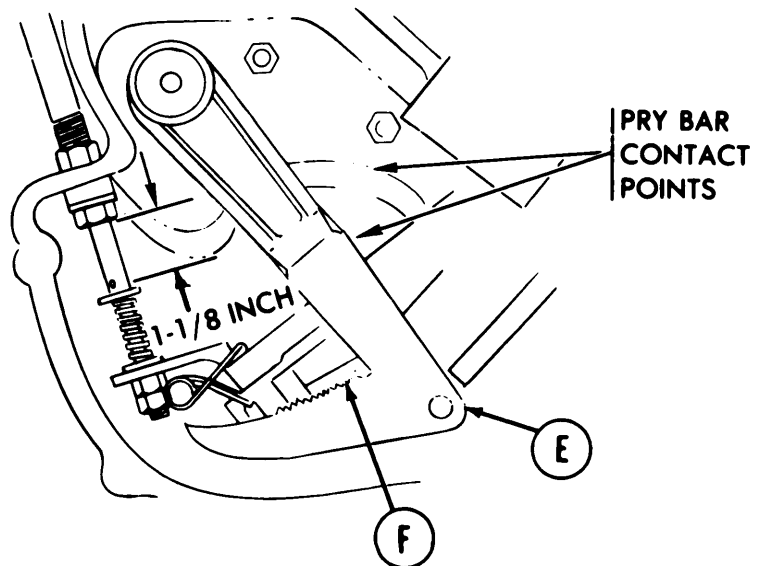
2. Using pry bar, rotate bell crank (D) counterclockwise to park position.
3. Using pry bar between housing and brake lever (E), force brake lever (E) until first three teeth on brake lever (E) are fully engaged with three teeth on pawl (F).



**NOTE**

**Observe during the following steps that some vehicles may have clips rather than cotter pins. Clips should be reused and cotter pins replaced.**

4. Using slip joint pliers, remove cotter pin, washer, and pin (G) holding brake cable clevis (H) to bell crank (D). Throw cotter pin away.



Go on to Sheet 3

TA169255

**PARKING BRAKE PAWL AND BELL CRANK ADJUSTMENT (Sheet 3 of 4)**

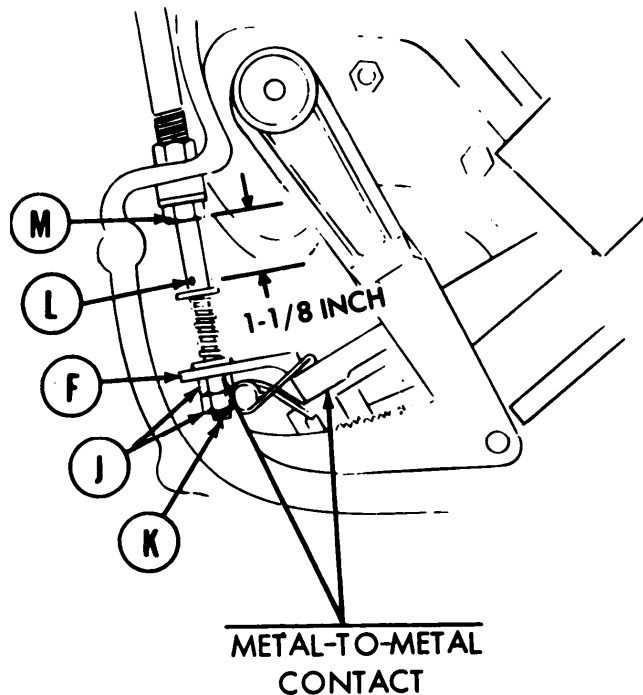
5. Using two 9/16 inch wrenches, loosen two nuts (J) on end of cable (K). Do not allow cable to turn or damage to cable will result.

6. Pull push cable (K) down until 1-1/8 inch gage block just fits between cotter pin (L) and sleeve nut (M).

7. With gage block in place, rotate upper nut (J) until metal-to-metal contact exists between upper nut (J) and lever assembly (F).

8. Using 9/16 inch wrench, back off upper nut (J) 1-1/2 to 2 turns, then do steps 9 thru 19.

9. While holding upper nut (J) in place with 9/16 inch wrench tighten lower nut (J) securely with another 9/16 inch wrench. Do not allow cable to turn, or damage to cable will result.





**PARKING BRAKE PAWL AND BELL CRANK ADJUSTMENT (Sheet 4 of 4)**

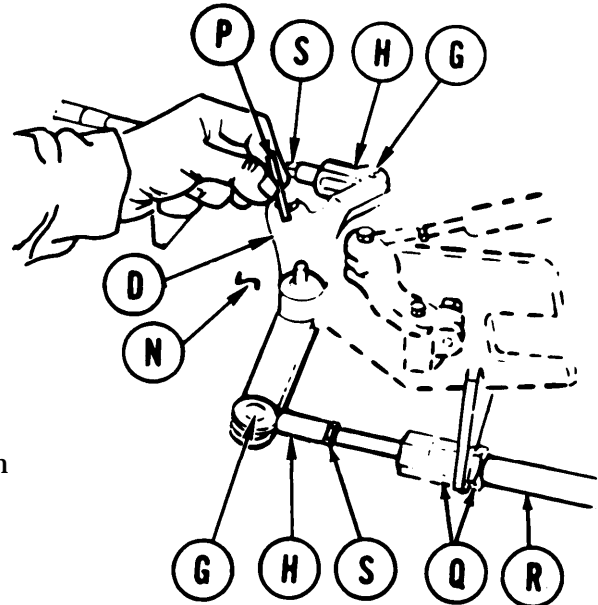
10. Rotate bellcrank assembly (D) to align holes in bellcrank (D) and bracket (N). Insert 1/8 inch locating pin (P) through holes in bellcrank (D) and bracket (N).

**NOTE**

**Locating pin (P) must slide up and down freely in alignment holes when clevis pins (G) are installed.**

**NOTE**

**It may be necessary to remove locating pin (P) and move bellcrank assembly (D) before clevis (H) can be adjusted.**



11. Using two 15/16 inch wrenches, loosen two nuts (Q) and move cable assembly (R) until clevis pin (G) and locating pin (P) slide freely in their respective holes. If clevis pin (G) will not slide in freely, loosen jamnut (S) and adjust clevis (H) until clevis pin (G) will slide in freely.
12. Install clevis pin (G) and, using slip joint pliers, install washer and new cotter pin on clevis pin (G).
13. Using two 15/16 inch wrenches, tighten nuts (Q).
14. If loosened, use 9/16 inch wrench to tighten nut (S).
15. Remove 1-1/8 inch gage block and locating pin.
16. Repeat steps 1 thru 16 for the opposite side brake.
17. Using pry bar, rotate bellcrank (D) clockwise to release brakes.
18. Using socket, install brake housing cover and new cover gasket.
19. Install powerplant (page 5-14).

End of Task

TA169257



**CHAPTER 14**  
**TRACK AND SUSPENSION SYSTEM MAINTENANCE**  
**INDEX**

<u>Procedure</u>	<u>Page</u>
Roadwheel Replacement .....	14-2
Hub Assembly Replacement .....	14-6
Roadwheel Arm Replacement .....	14-13
Hub and Arm Assembly Repair .....	14-19
Roadwheel Support Housing Assembly Repair and Replacement .....	14-24
Suspension Torsion Bar Replacement .....	14-26
Torsion Bar Anchor Replacement .....	14-33
Track Support Roller Replacement .....	14-36
Track Support Roller Assembly Repair .....	14-46
Compensating Idler Wheel Replacement .....	14-50
Compensating Idler Hub and Arm Replacement .....	14-53
Track Drive Sprocket Repair and Replacement .....	14-56
Track Assembly Replacement .....	14-65
Track Adjusting Link Replacement .....	14-75
Track Adjusting Link Repair .....	14-80
Track Link Pad Replacement .....	14-83
Track Link Replacement .....	14-84.1
Bumper Assembly Replacement .....	14-87
Bumper Assembly Repair .....	14-89
Shock Absorber Replacement .....	14-91
Shock Absorber Repair .....	14-93
Shock Absorber Upper Mounting Brackets Replacement .....	14-94.1
Shock Absorber Upper Front Mounting Bracket Repair .....	14-95
Shock Absorber Upper Middle and Rear Mounting Brackets Repair .....	14-97
Shock Absorber Lower Mounting Brackets Replacement .....	14-99
Shock Absorber Lower Mounting Bracket Repair .....	14-100

**ROADWHEEL REPLACEMENT (Sheet 1 of 4)**

PROCEDURE INDEX

PROCEDURE	PAGE
Removal	14-2
Cleaning and Inspection	14-5
Installation	14-5

- **TOOLS:** 1-5/16 in. socket with 3/4 in. drive  
Ratchet with 3/4 in. drive  
16 in. extension with 3/4 in. drive  
Hinged handle with 3/4 in. drive  
Torque wrench with 3/4 in. drive (0-6001b-ft) (0-813 N•m)  
Wire brush

**SPECIAL TOOL:** Roadwheel arm lifter (Item 12, Chapter 3, Section I)

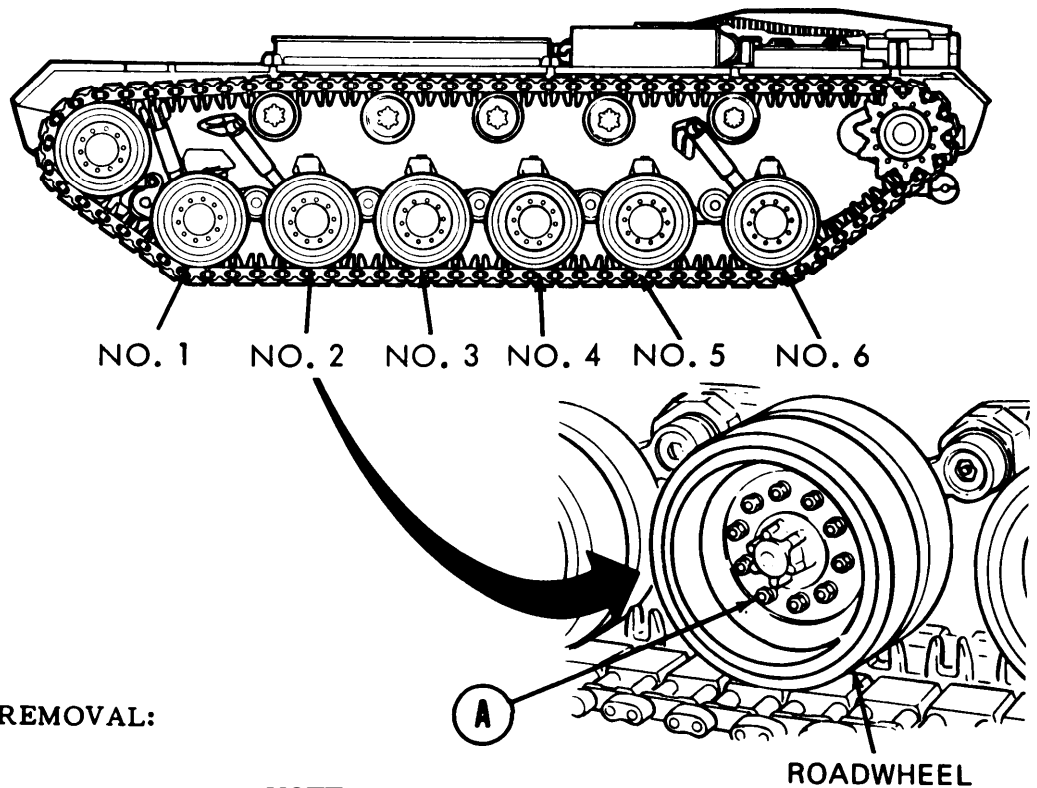
**PERSONNEL:** Two

- **SUPPLIES:** Rags (Item 65, Appendix D)  
Wooden blocks

**REFERENCES:** TM 5-5420-226-10

Go on to Sheet 2

**ROADWHEEL REPLACEMENT (Sheet 2 of 4)**



**REMOVAL:**

**NOTE**

**There are six roadwheel positions - No. 1 through No. 6 - on each side of vehicle.**

**There are two roadwheels at each of these 12 positions for 24 roadwheels at ground level.**

**WARNING**

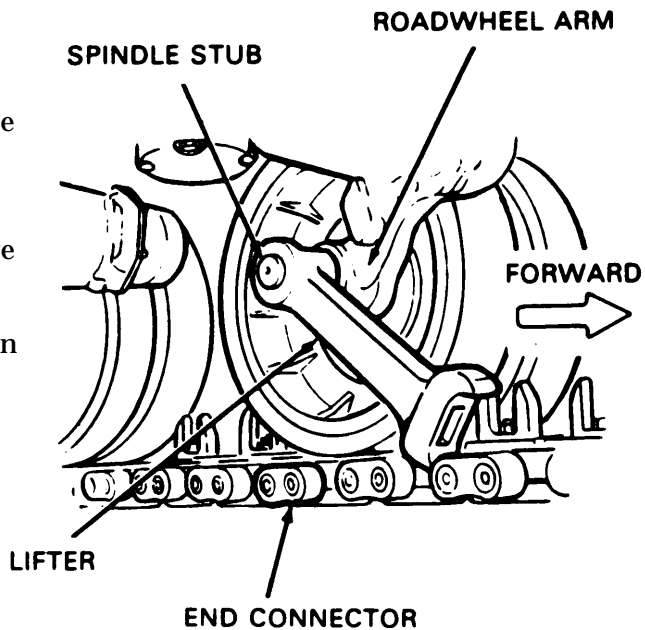
**Position vehicle on firm level ground to prevent vehicle movement that may result in injury or death to personnel.**

1. Using 1-5/16 inch socket wrench, extension and hinged handle loosen 10 nuts (A) . Do not remove nuts (A) .

Go on to Sheet 3

**ROADWHEEL REPLACEMENT (Sheet 3 of 4)**

2. Get roadwheel arm lifter tool.
3. Place lifter to inside of track over spindle stub, track pad, and end connector that is forward of roadwheel.
4. Have second person start engine and drive vehicle forward slowly.
5. Direct second person to stop vehicle when lifter is straight up and down.

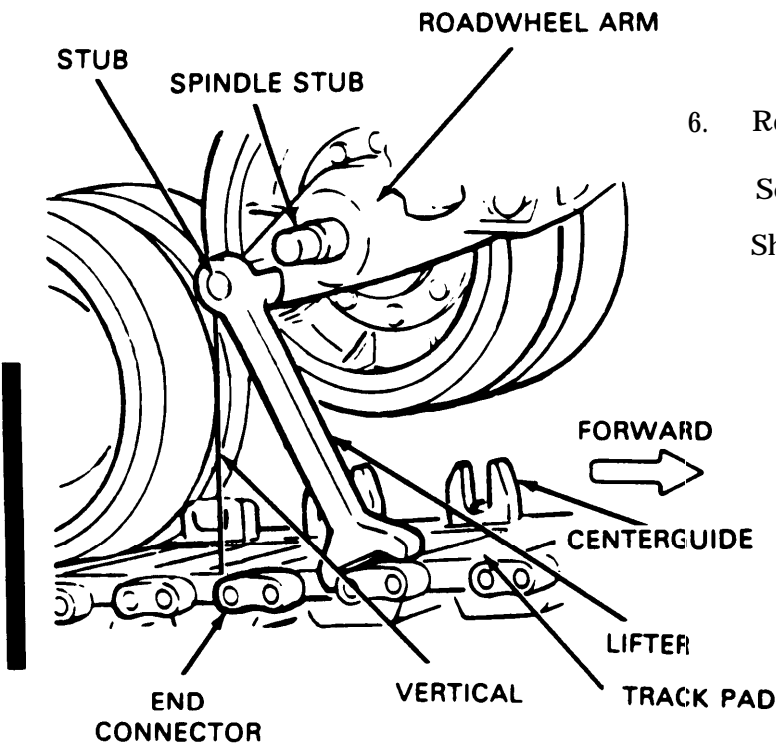


6. Roadwheel should be up off track centerguides.  
Set vehicle brakes TM 5-5420-226-10).  
Shut engine off TM 5-5420-226-10).

**WARNING**

Failure to block vehicle properly may result in injury or death to personnel.

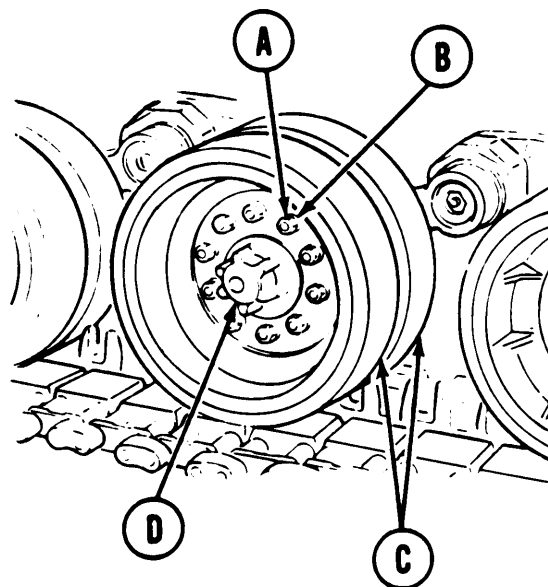
- 8.1 On both sides of vehicle, position wooden blocks between track and roadwheel at front and rear of roadwheel.



Go onto Sheet 4

**ROADWHEEL REPLACEMENT (Sheet 4 of 4)**

9. Using 1-5/16 inch socket with extension and hinged handle, remove 10 self-linking nuts (A) and 20 flat washers (B) securing roadwheel (C) to wheel hub (D). Discard 10 self linking nuts (A).
10. Using second person for help, pull one roadwheel, then the other, off mounting studs. Do not damage studs.



**CLEANING AND INSPECTION:**

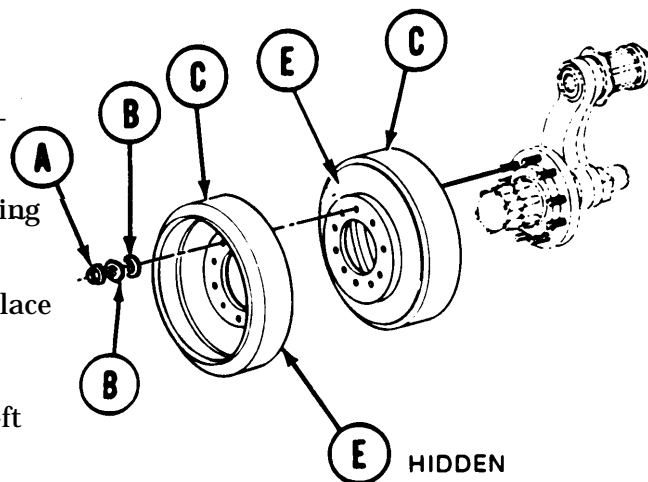
Inspect and clean mounting hub surface with wire brush and rag prior to mounting road wheels.

**INSTALLATION:**

**NOTE**

**Do not damage hub mounting studs when installing roadwheels.**

1. Position inside roadwheel (C) with wear surface (E) facing out.
2. Position outside road wheel (C) with wear surface (E) facing in.
3. Install 20 flat washers (B) and 10 new self-locking nuts (A).
4. Have second person back vehicle up so lifting arm can be removed.
5. If track was removed or disconnected, replace or reconnect (TM 5-5420-226-10).
6. Using 13/16 inch socket with extension and torque wrench, tighten nuts (A) to 320-350 lb-ft (434475 N•m) lubricated.



End of Task

HUB ASSEMBLY REPLACEMENT (Sheet 1 of 7)

PROCEDURE INDEX

PROCEDURE	PAGE
Disassembly	14-6
Cleaning and Inspection	14-8
Assembly	14-9

TOOLS: 9/16 in. socket with 1/2 in. drive  
 Drift punch  
 Ratchet with 1/2 in. drive  
 Hammer  
 Hinged bar with 1/2 in. drive  
 2-1/2 in. socket with 3/4 in. drive  
 Ratchet with 3/4 in. drive  
 Pinch bar  
 Torque wrench with 3/4 in. drive (0-600 lb-ft) (0-814 N•m)  
 Long round nose pliers

SPECIAL TOOLS: Face Wrench Socket (Item 28, Chapter 3, Section I)  
 Seal Inserter (Item 21, Chapter 3, Section 1)  
 Manual Control Handle (Item 11, Chapter 3, Section I)  
 Bearing Inserter Set (Item 17, Chapter 3, Section I)  
 Bearing Inserter Set (Item 16, Chapter 3, Section I)

SUPPLIES: Grease (Item 37, Appendix D)  
 Gaskets  
 Seal  
 Bearing nut lock  
 Preformed packing

REFERENCES: LO 5-5420-226-12

PRELIMINARY PROCEDURES: Remove roadwheels (page 14-3).

DISASSEMBLY:

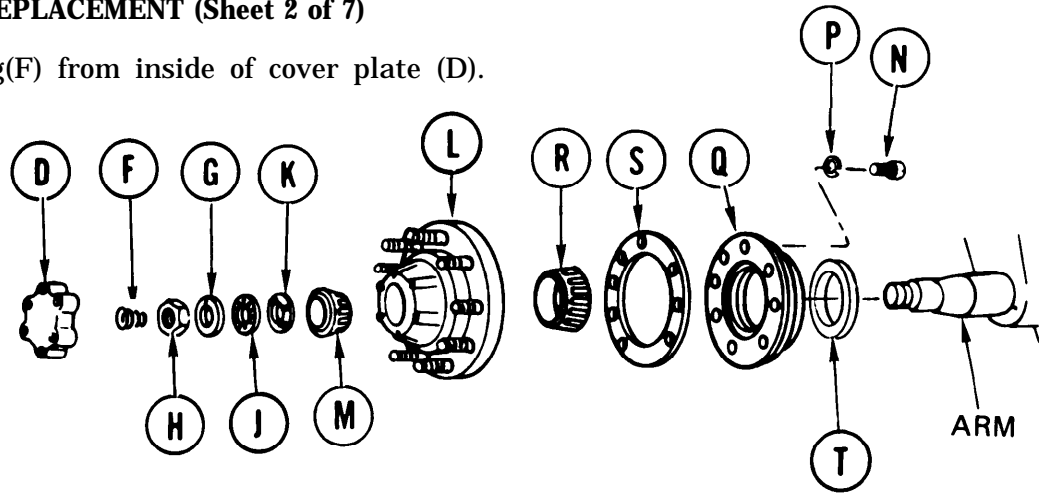
- Using 9/16 inch socket, remove six screws (A), lockwashers (B), and washers (C).
- Remove cover plate (D) and gasket (E). Discard, gasket (E),

Go on to Sheet 2



**HUB ASSEMBLY REPLACEMENT (Sheet 2 of 7)**

3. Remove spring(F) from inside of cover plate (D).



4. Using hammer and drift punch, bend back tab of bearing nut lock (G).

5. Using 2-1/2 inch socket, loosen nut (H). Remove nut (H), bearing nut lock (G), and lock (J). Discard bearing nut lock (G).

6. Using face wrench socket with 3/4-inch ratchet, remove nut (k).

7. Using pinch bar on hub, if necessary, remove hub (L) and bearing (M).

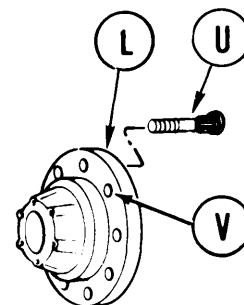
8. Using 9/16 inch socket with hinged handle, remove eight screws (N) and lockwashers (P) securing seal assembly (Q) to hub (L).

9. Remove inner bearing (R), gasket (S), and seal assembly (Q). Discard gasket (S).

10. Separate preformed packing (T) from arm assembly. Discard packing (T).

11. Using hammer and drift punch, drive out any bolts (U) with stripped threads or other damage. Discard bolts (U).

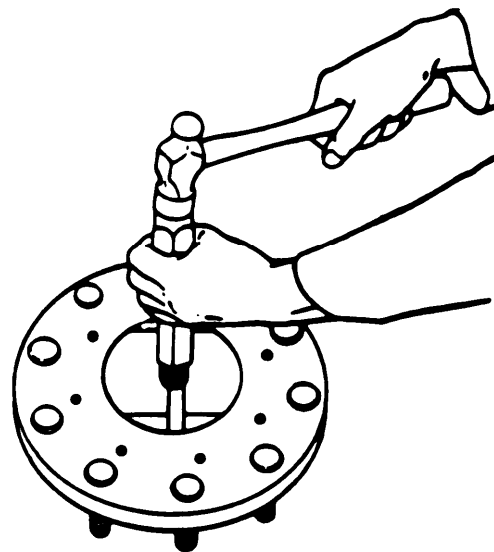
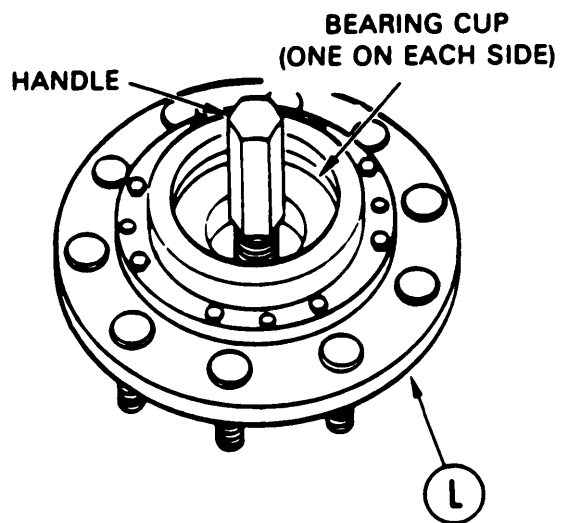
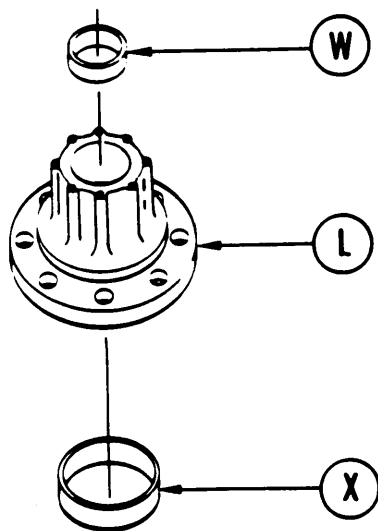
12. If inserts (V) are stripped or damaged, turn hub (L) into support maintenance for repair.



Go on to Sheet 3

**HUB ASSEMBLY REPLACEMENT (Sheet 3 of 7)**

13. Position bearing inserter set (Item 16, Chapter 3, Section I) on outer bearing cup (W) in hub (L).
14. Using hammer, tap handle to drive outer bearing cup (W) from hub (L).
15. Repeat steps 13 and 14 to remove inner bearing cup (X) from hub (L). using bearing inserter set (Item 17, Chapter 3, Section I).



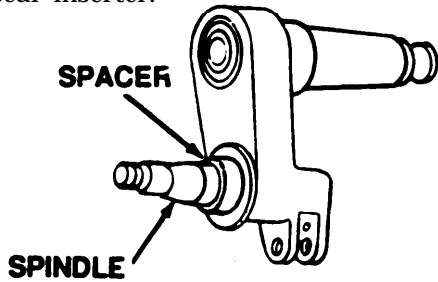
**CLEANING AND INSPECTION:**

1. Clean all parts including bearings.
2. Inspect hub and cover plate for cracks or damage. There should be no cracks.
3. Minor nicks, scratches, gouges, and pitting are okay if they are not on machined surfaces.

Go on to Sheet 4

**HUB ASSEMBLY REPLACEMENT (Sheet 4 of 7)**

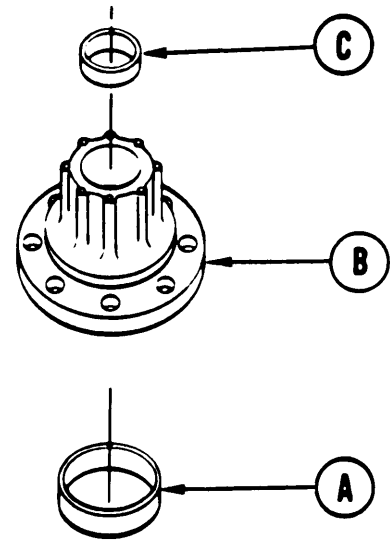
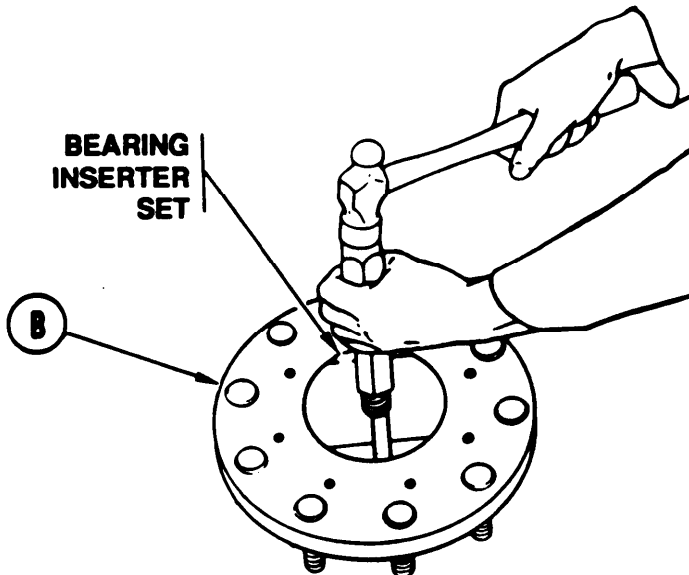
4. Inspect bearings and cups for damage. Replace as necessary.
5. Check seal assembly for rust, missing rivets, or other damage. Replace seal as required using seal inserter.



6. Inspect all nuts, washers, and screws for wear and damaged threads.
7. Inspect spacer on spindle for scratches, nicks, or dents. If damaged, notify support maintenance.

**ASSEMBLY:**

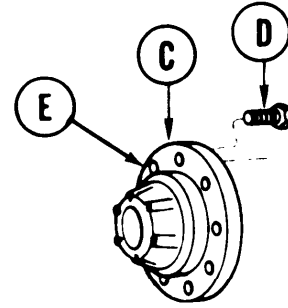
1. Grease both bearing cup. Position bearing inserter set (Item 17, Chapter 3, Section I) to inner cup (A) in hub (B).
2. Using hammer, tap remover-replacer to seat inner cup (A) into place in hub (B).
3. Using bearing inserter set (Item 16, Chapter 3, Section I) repeat steps 1 and 2 to seat outer cup (C) in hub (B).



Go on to Sheet 5

HUB ASSEMBLY REPLACEMENT (Sheet 5 of 7)

4. Using hammer and drift punch, install new bolts (D) into hole (E) of hub (C) (if required).



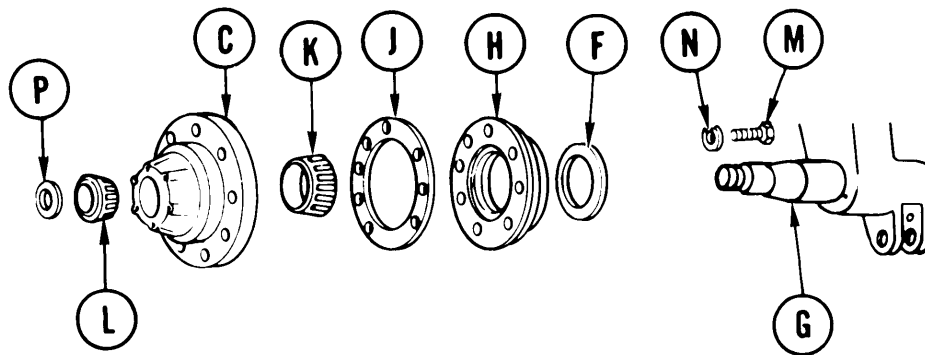
5. Grease new preformed packing. Install packing (F) into groove on arm assembly (G).

6. Install seal assembly (H) with new gasket (J) onto arm assembly spindle (G).

7. Pack both inner and outer bearings (K and L) with grease.

- a. Position inner bearing (K) on arm assembly spindle (G).

9. Install hub (C) onto arm assembly spindle (G), making sure seal assembly (H) aligns to five pins on interface of arm assembly spindle (G).



10. Install eight screws (M) and lockwashers (N) to secure seal assembly (H) to hub (C).

11. Using 9/16 inch socket, tighten screws (M) alternately.

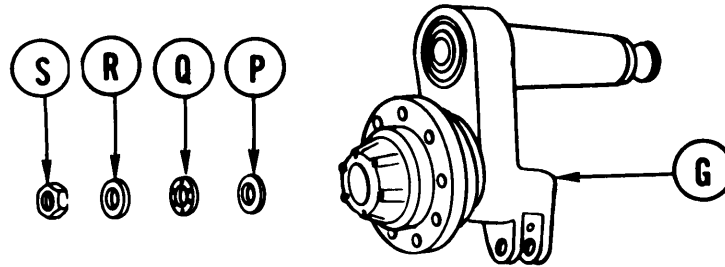
12. Install outer bearing (L) onto spindle. Push hub (C) onto spindle and bearing (L) until bearing seats.

13. Install round nut (P) with dowel. Using face wrench socket with 3/4 inch drive ratchet, tighten nut (P) while rotating hub (C) one way, then opposite.

Go on to Sheet 6

**HUB ASSEMBLY REPLACEMENT (Sheet 6 of 7)**

14. When nut (P) is tight and parts seem to be seated, back off nut (P) and, using torque wrench, tighten nut (P) to 50-70 lb-ft (68-95 N•m).



15. Back off round nut (P) 1/4 turn.

16. Install lock (Q) so that hole of lock (Q) fits over nut (P) dowel.

NOTE

If lock hole does not line up to dowel of nut, turn lock over and try other side.

17. Position new bearing nut lock (R) to one hole in lock (Q).

18. Screw nut (S) onto arm assembly spindle (G). Tighten nut (S) up against bearing unit.

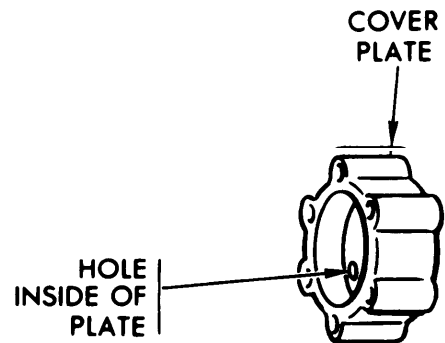
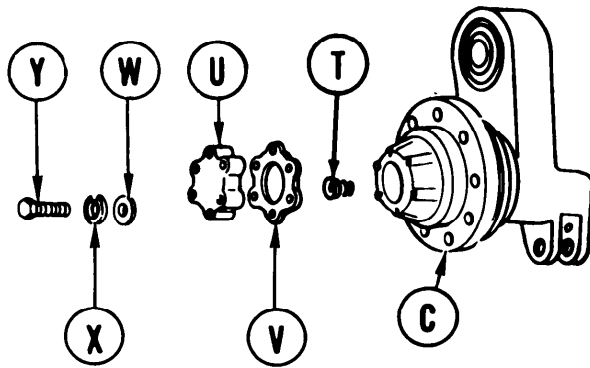
19. Using 2-1/2 inch socket, tighten nut (S).

20. Using hammer and drift punch, bend one end of bearing nut lock (R) back over nut (S).

Go on to Sheet 7

TA169275

HUB ASSEMBLY REPLACEMENT (Sheet 7 of 7)



21. Install spring (T) into cover plate (U). Tang of large end of spring (T) goes into hole inside of cover plate (U).
22. Install cover plate (U) with new gasket (V) to hub (C).
23. Install six washers (W), lockwashers (X), and screws (Y) to secure cover plate (U) to hub (C).
24. Using 9/16 inch socket, tighten six screws (Y).
25. Service hub and arm assembly (LO 5-5420-226-12).
26. Install roadwheels (page 14-5).

End of Task

TA169276

**ROADWHEEL ARM REPLACEMENT (Sheet 1 of 6)**

PROCEDURE INDEX

PROCEDURE	PAGE
Removal	14-13
Installation	14-17

**TOOLS:** Punch

- Hammer
- 3/4 in. socket with 1/2 in. drive
- Ratchet with 1/2 in. drive
- Torque wrench with 1/2 in. drive (0-600 lb-ft) (0-814 N•m)
- Internal puller
- 3/4 in. crowfoot wrench with 1/2 in. drive
- 3/4 in. combination box and open end wrench
- Automotive wrench
- Crowbar
- 5/8 in. socket with 1/2 in. drive
- Mechanical puller adapter
- Slide hammer puller
- Handle

**SPECIAL TOOLS:** Seal inserter (Item 21, Chapter 3, Section I)

**SUPPLIES:**

- Gasket
- Seal
- Grease (Item 38, Appendix D)
- 5/8-13 UNC threaded screws (2 required)
- Lockwashers (6 required)

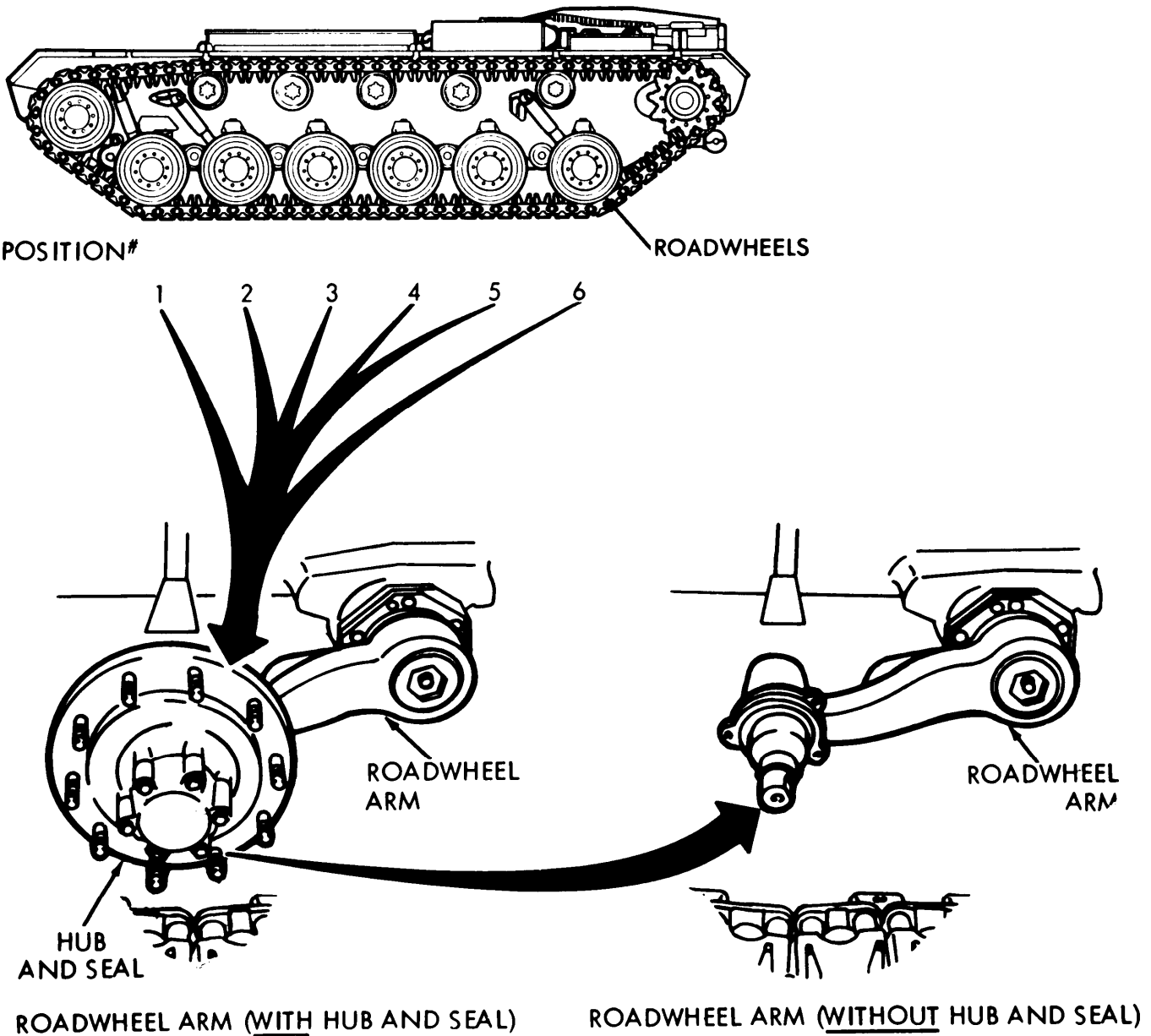
**PERSONNEL:** Three

**PRELIMINARY PROCEDURES:**

- Remove roadwheels (page 14-3)
- Remove wheel hub if necessary (page 14-6).
- Remove torsion bar (page 14-26).
- Remove shock absorbers when removing arms at roadwheel positions No. 1,2, and 6 (page 14-91).
- Disconnect track adjusting link at No. 1 roadwheel position (page 14-76)

Go on to Sheet 2

ROADWHEEL ARM REPLACEMENT (Sheet 2 of 6)



NOTE

Hub and seal assemblies are on all left and right roadwheels at positions 1 thru 6. They may or may not be removed from roadwheel arm before removing arm itself. It is easier to remove arm with hub and seal off.

Go on to Sheet 3

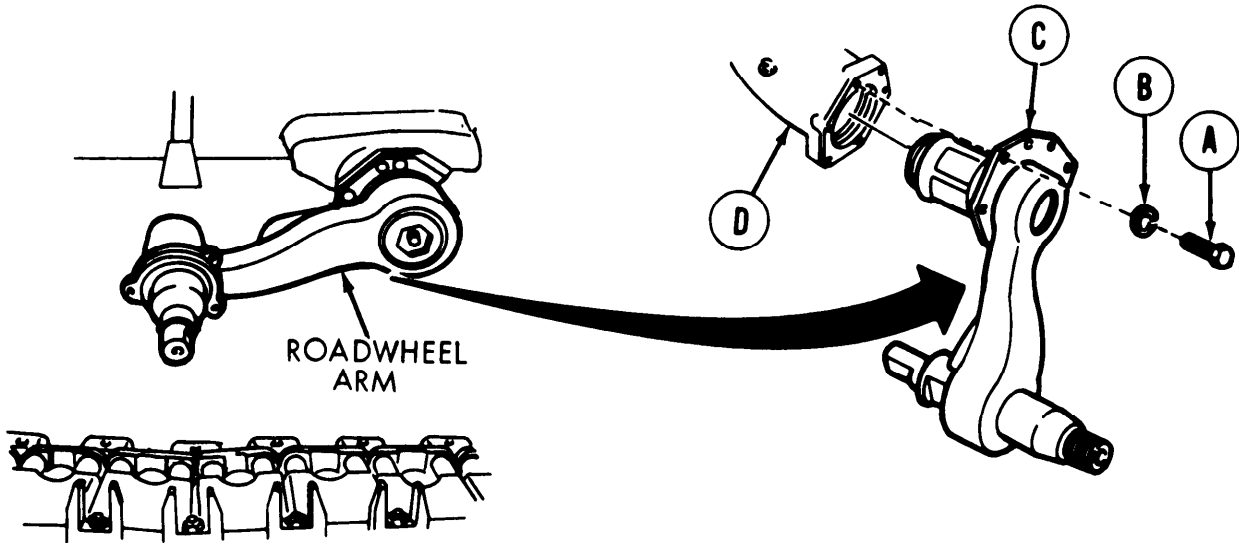
TA169278



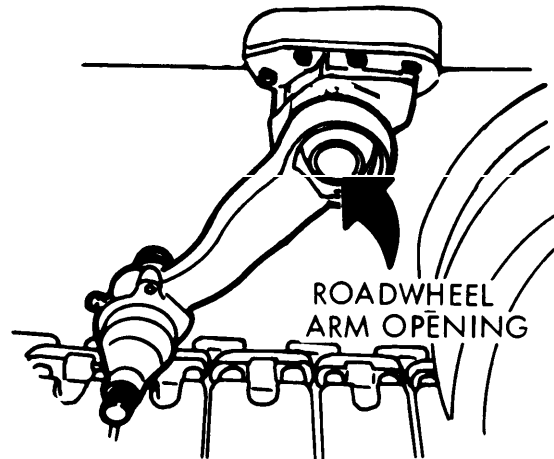
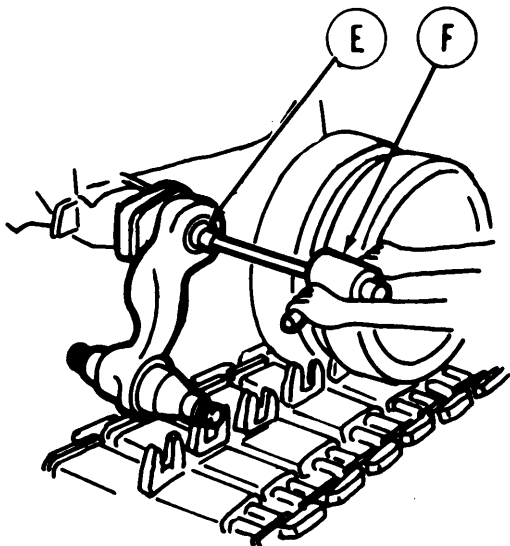
**ROADWHEEL ARM REPLACEMENT (Sheet 3 of 6)**

**REMOVAL:**

- Using 3/4 inch wrench, remove six screws (A) and lockwashers (B) securing arm (C) to support housing (D).



- Using automotive wrench, screw adapter (E) all the way into roadwheel arm (C) opening.



- Install slide hammer (F) to adapter (E).

**NOTE**

**There should be no side to side movement of slide hammer (F). If there is, remove and reinstall adapter (E) and slide hammer (F).**

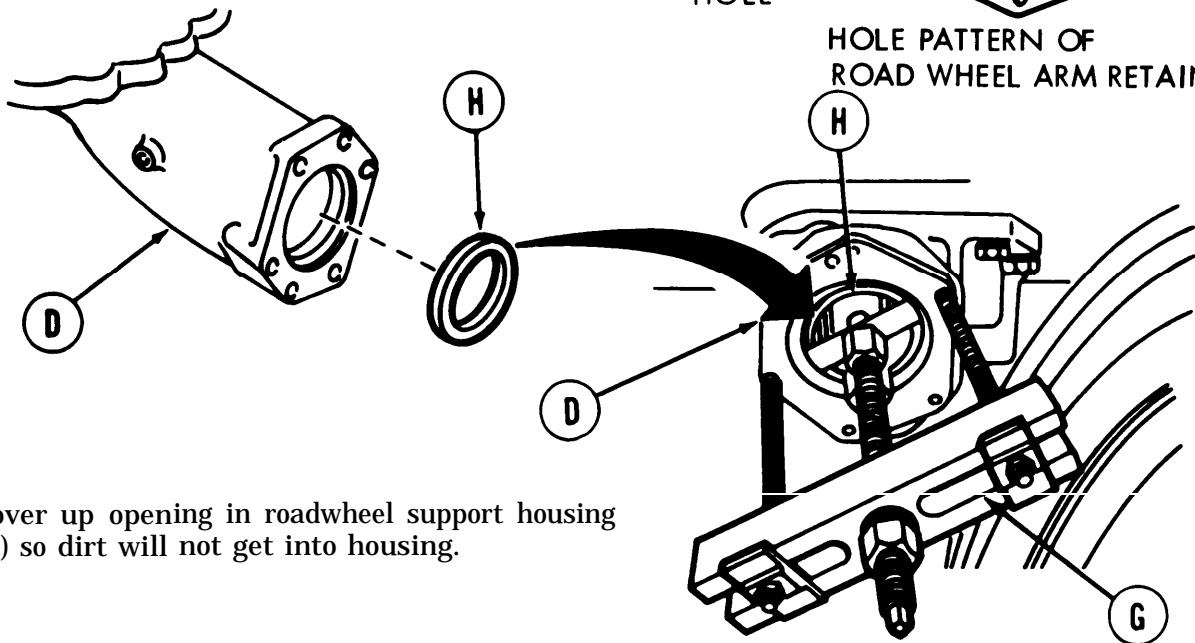
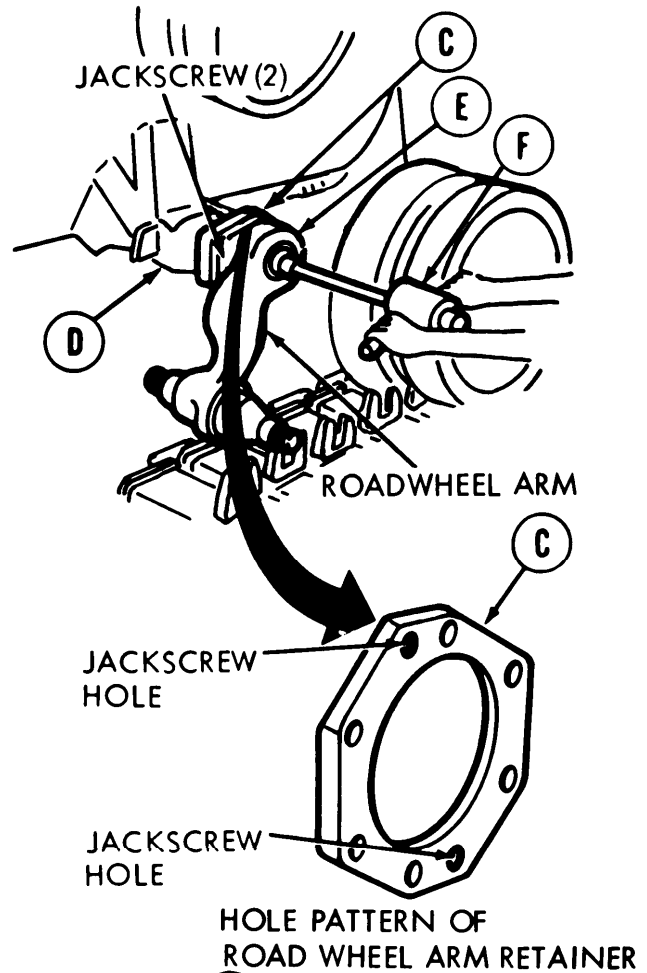
- Have second technician use crowbar and support roadwheel arm.
- Using both hands, slide hammer (F) on puller from adapter (E) end with force (away from hull).

Go on to Sheet 4

TA169279

ROADWHEEL ARM REPLACEMENT (Sheet 4 of 6)

6. If roadwheel arm (C) does not come out of support housing (D) after repeated hits with slide hammer (F), perform steps 7, 8 and 9.
7. Screw two 5/8-13 UNC threaded screws into two retaining jackscrew holes.
8. Using 5/8 inch socket, alternately and evenly tighten jackscrews.
9. Use slide hammer (F) while tightening jackscrews, if used, to free arm (C) from support housing (D).
10. When arm (C) is loose in support housing (D), remove slide hammer (F) and adapter (E).
11. Using another technician, remove roadwheel arm (C) and gasket. Remove gasket and throw away.
12. Using internal puller (G), remove inner grease seal (H) from support housing (D). Throw seal (H) away.



13. Cover up opening in roadwheel support housing (D) so dirt will not get into housing.

Go on to Sheet 5

TA169280

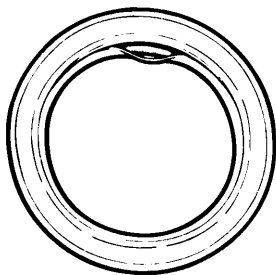
**ROADWHEEL ARM REPLACEMENT (Sheet 5 of 6)**

**INSTALLATION:**

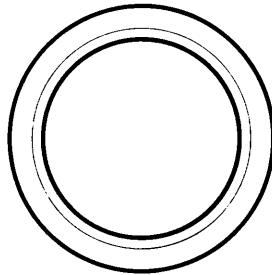
1. Remove covering from roadwheel support housing (A) opening.

**NOTE**

Identify **FRONT** and **BACK** of inner grease seal (B). Rubber grease seal retaining lip can be pulled away from metal inner edge on **FRONT** of seal. Pull back retaining lip on seal and expose grease garter spring. **BACK** of seal has rubber grease retainer bonded to metal case and cannot be pulled away.



FRONT VIEW



BACK VIEW

2. Place new seal (B) into roadwheel housing (A) so back of seal (B) goes in toward hull. You should see front of seal when installed.
3. Using seal inserter and handle, tap handle with hammer to secure seal (B) in place.
4. Coat all parts on upper spindle (C) with grease.
5. Install new gasket (D) to mounting face of arm retainer (E).

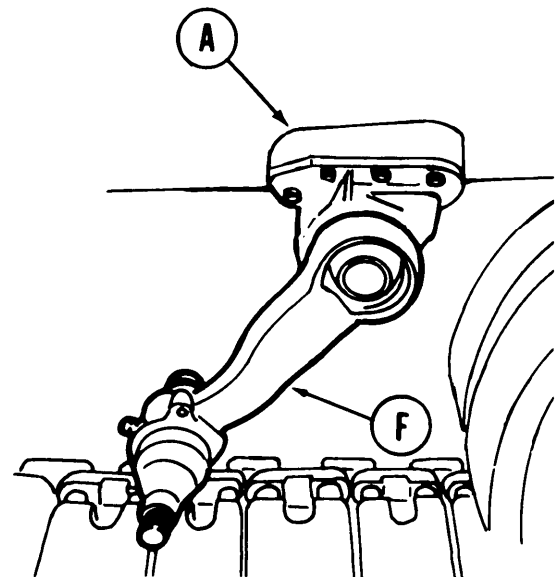
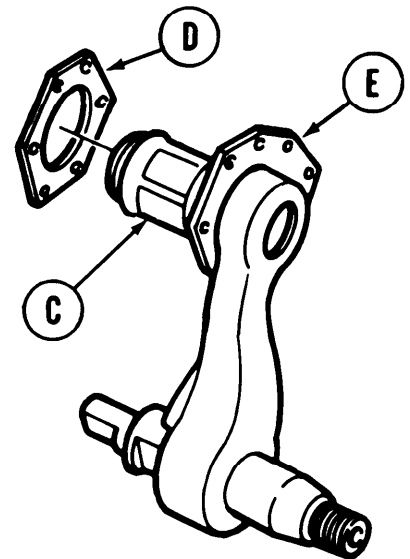
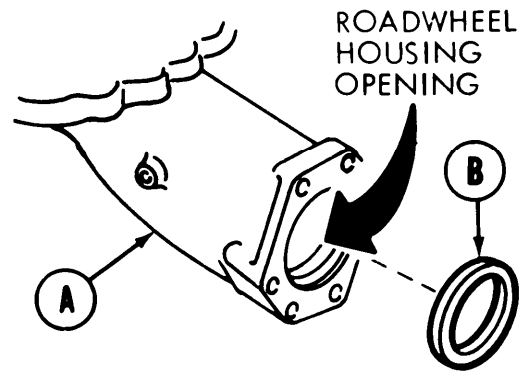
**NOTE**

The upper spindle (C) must be properly aligned with support housing (A) while roadwheel arm (F) is being installed.

**CAUTION**

Do not use excessive force while installing roadwheel arm (F). Damage to seal (B) may result.

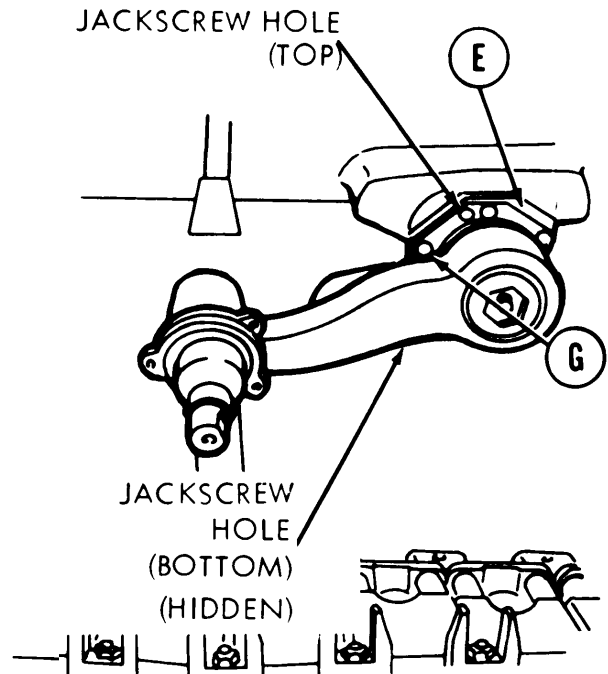
6. Using two technicians, install upper spindle (C) completely into support housing (A).



Go on to Sheet 6

ROADWHEEL ARM REPLACEMENT (Sheet 6 of 6)

7. Position retainer (E) so that its jack-screw holes are at top and bottom of upper spindle.
8. Using punch, aline six mounting holes in retainer (E) to holes in housing.
9. Put six lockwashers and screws (G) into mounting holes.
10. Using crow foot wrench and torque wrench, tighten six screws (G) alternately and evenly to 95-125 lb-ft (129-169 N•m).
11. Connect adjusting link at No. 1 roadwheel position, if necessary (page 14-78).
12. Install shock absorbers if roadwheel arm was removed from positions No. 1, 2 and 6 (page 14-92).
13. Install suspension torsion bar (page 14-29).
14. Install hub and seal assembly, if removed (page 14-9).
15. Install roadwheels (page 14-5).



**HUB AND ARM ASSEMBLY REPAIR (Sheet 1 of 9)**

PROCEDURE INDEX

PROCEDURE	PAGE
Disassembly	14-19
Cleaning and Inspection	14-21
Assembly	14-21

**TOOLS:** Drive pin punch  
 Pry bar  
 Hammer  
 Long round nose pliers  
 File

Handle  
 Chisel

**SPECIAL TOOLS:** Spanner wrench (Item 26, Chapter 3, Section I)  
 Shock absorber bearing replacer (Item 25, Chapter 3, Section I)  
 Seal inserter (Item 21, Chapter 3, Section I)  
 Inserter and remover (Item 15, Chapter 3, Section I)

**SUPPLIES:** Grease (Item 37, Appendix D)  
 Dry cleaning solvent (Item 55, Appendix D)  
 Key washer  
 Seal  
 Washer  
 Goggles (Item 71, Appendix D)  
 Gloves (Item 72, Appendix D)

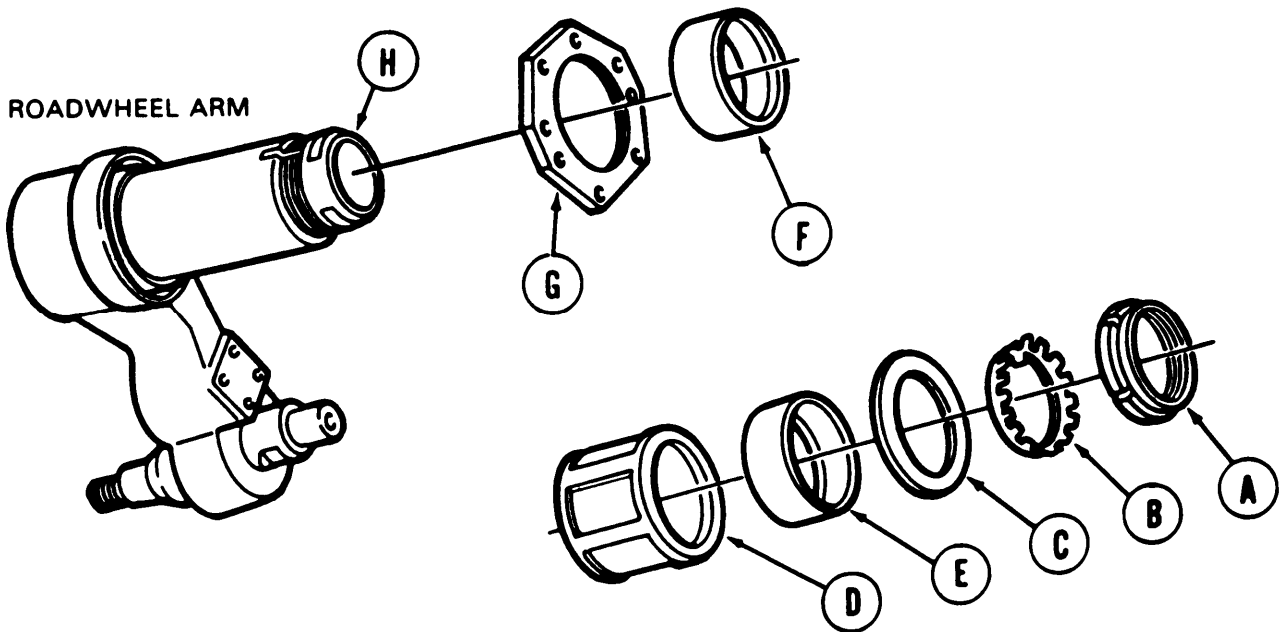
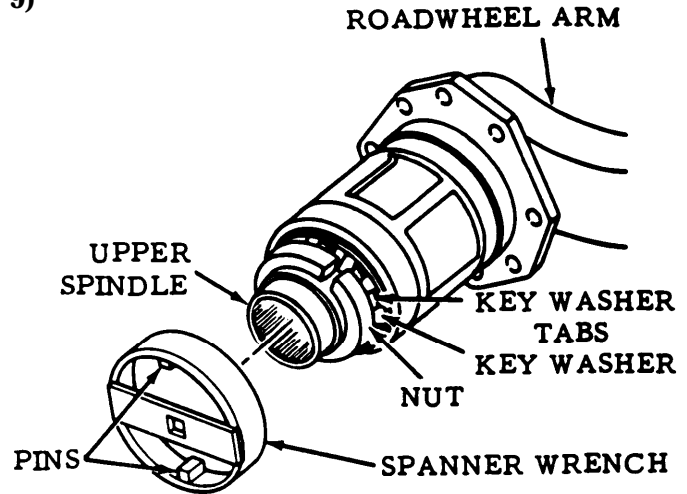
**PRELIMINARY PROCEDURE:** Remove arm assembly (page 14-13).

Go on to Sheet 2

**HUB AND ARM ASSEMBLY REPAIR (Sheet 2 of 9)**

DISASSEMBLY:

1. Using pliers, bend key washer tabs back out of slot in nut.
2. Put spanner wrench on nut (A) so pins fit into slots. Using spanner wrench and handle, remove nut.
3. Remove key washer (B) and bearing washer (C). Discard bearing washer (C).



**NOTE**

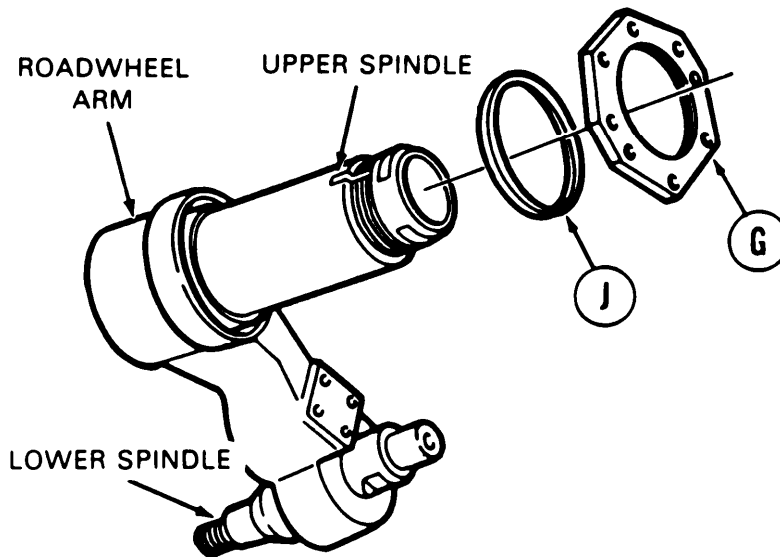
**Keep inner and outer races of bearings together as matched set. If you throw away one race, throw away other one.**

4. Use sleeve spacer (D) like a slide hammer to loosen inboard bearing (E). Remove bearing.
5. Remove sleeve spacer (D) and outboard bearing (F).
6. Pull oil seal retainer (G) off upper spindle (H).

Go on to Sheet 3

**HUB AND ARM ASSEMBLY REPAIR (Sheet 3 of 9)**

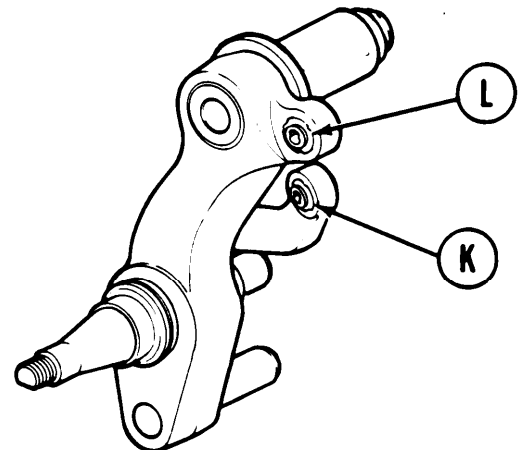
- Using pry bar, remove seal (J) from retainer (G) with care. Do not damage retainer. Discard seal (J).



**NOTE**

**Roadwheel arm numbers 1, 2, and 6 require bearing replacement. For roadwheel number 1, perform steps 8,9, and 10. For roadwheel numbers 2 and 6, perform steps 8 and 10. For roadwheel numbers 3, 4, and 5, go to cleaning and inspection, page 14-21.**

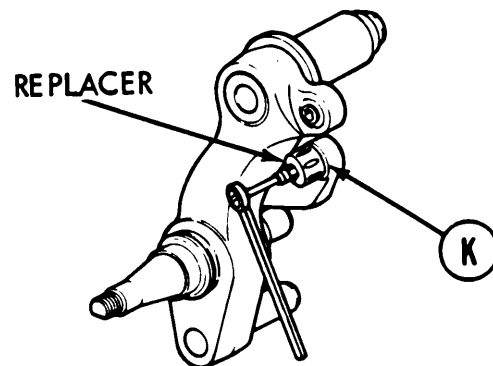
- Using hammer and chisel, cut off stakes on three places, each side of shock absorber bearing (K) and track adjusting link bearing (L).



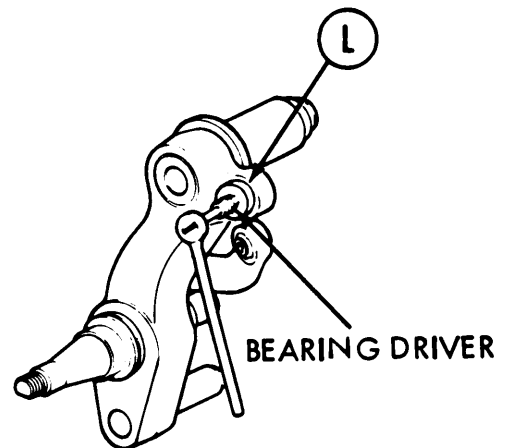
Go on to Sheet 4

**HUB AND ARM ASSEMBLY REPAIR (Sheet 4 of 9)**

9. Install replacer on bearing (K). Turn replacer nut until bearing (K) is removed. Discard bearing (K).



10. Install bearing driver on bearing (L). Turn nut of bearing driver until bearing (L) is removed. Discard bearing (L).

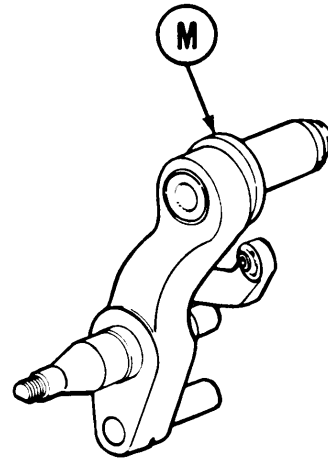


Go on to Sheet 5



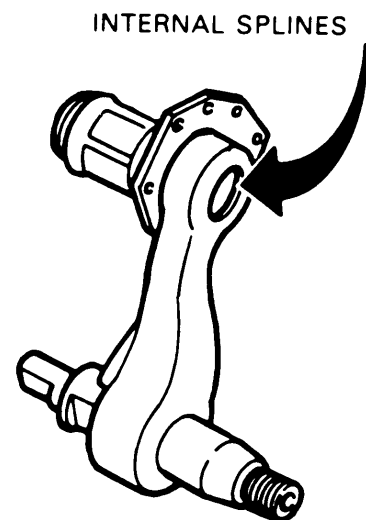
**HUB AND ARM ASSEMBLY REPAIR (Sheet 5 of 9)**

11. Inspect deflector (M) for bending, cracking, or wear. If damaged, carefully remove deflector (M) by tapping around its outer face with hammer and chisel.

**CLEANING AND INSPECTION:****WARNING**

**Dry cleaning solvent P-D-680 is toxic and flammable. To avoid injury, wear protective goggles and gloves and use in a well-ventilated area. Avoid contact with skin, eyes, and clothes, and do not breathe vapors. Do not use near open fire or excessive heat. The flash point for Type I dry cleaning solvent is 100°F (38°C), and for Type II is 140°F (60°C). If you become dizzy while using dry cleaning solvent, get fresh air immediately and get medical aid. If contact with eyes is made, wash your eyes with water and get medical aid immediately.**

1. Using dry cleaning solvent, clean all parts, especially bearings.
2. Check arm for cracks. If arm is cracked or bad, turn in to support maintenance and replace with new arm.
3. Inspect both upper and lower spindles of arm, especially threads.
4. Check internal splines of arm for broken, cracked, or deformed splines. If bad, replace arm.
5. Using file, smooth out any rust spots, pits, or other damaged places on arm. Do not file spindle.
6. Inspect bearings for missing needle rollers and scuffs or scratches, especially on inner races.
7. Replace defective parts as required.

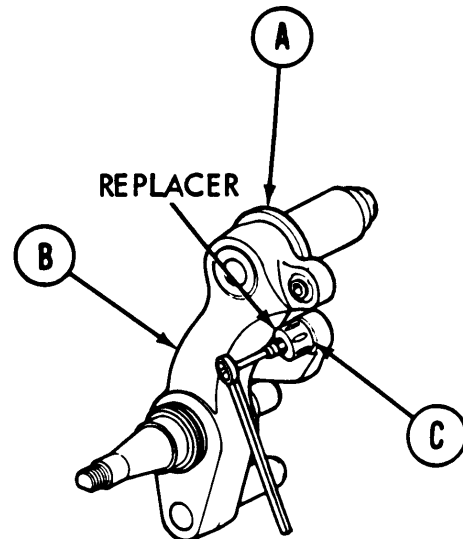


Go on to Sheet 6

**HUB AND ARM ASSEMBLY REPAIR (Sheet 6 of 9)**

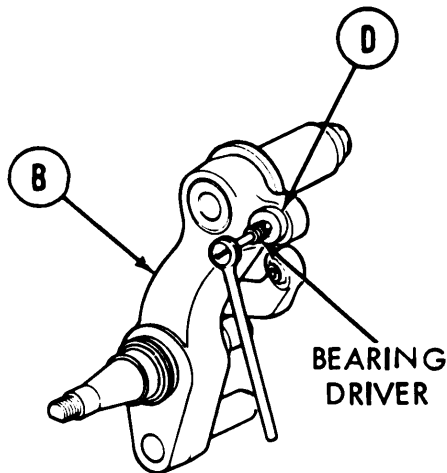
**ASSEMBLY:**

1. If deflector (A) was removed, carefully position new deflector in place over upper spindle against machined ridge in arm (B). Assure base of U-shaped deflector (A) is toward arm and open end toward threaded end of spindle. Tap deflector (A) lightly with hammer to assure it seats fully against arm (B).
2. Position shock absorber bearing (C) on arm (B). Install replacer over bearing (C) and arm (B). Turn replacer nut until bearing (C) is centered in arm (B). Remove replacer.
3. Stake bearing (C) to arm (B) at three equally spaced locations on each side of bearing (C).



**NOTE**

**If replacing bearing for mechanical track adjusting link, perform steps 4 and 5. If replacing bearing for grease actuated track adjusting link, perform steps 6 and 7.**



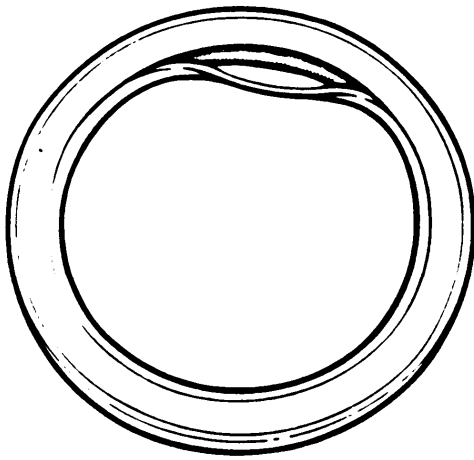
4. Position bearing (D) on arm (B). Install bearing driver over bearing (D). Turn nut of bearing driver until bearing (D) is centered in arm (B). Remove bearing driver.
5. Stake bearing (D) to arm (B) at three equally spaced locations on each side of bearing (D).

Go on to Sheet 7

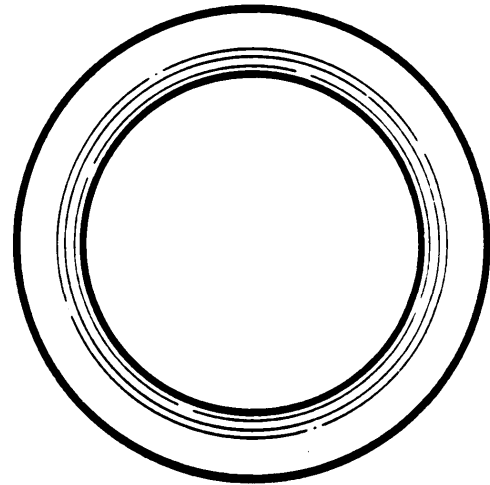
## HUB AND ARM ASSEMBLY REPAIR (Sheet 7 of 9)

## NOTE

Identify FRONT and BACK of outer grease seal. Rubber grease seal retaining lip can be pulled away from metal inner edge on FRONT of seal. Pull back retaining lip on seal and expose garter spring. BACK of seal has rubber grease retainer bonded to metal case and cannot be pulled away.



FRONT VIEW



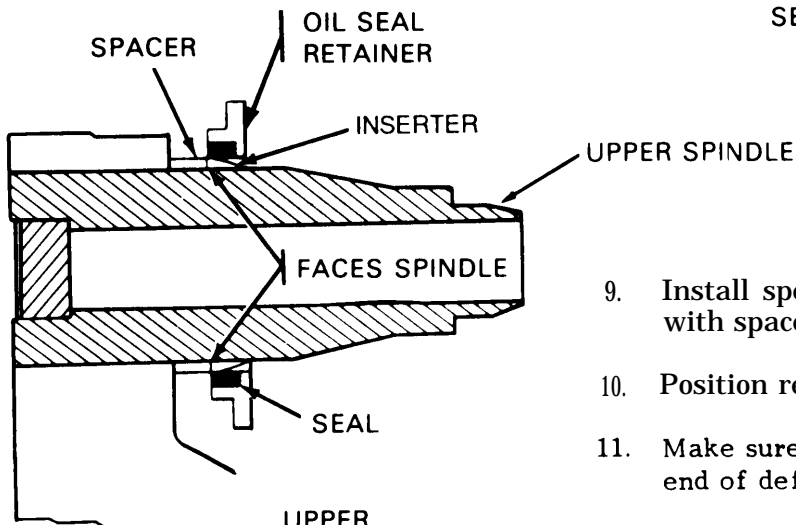
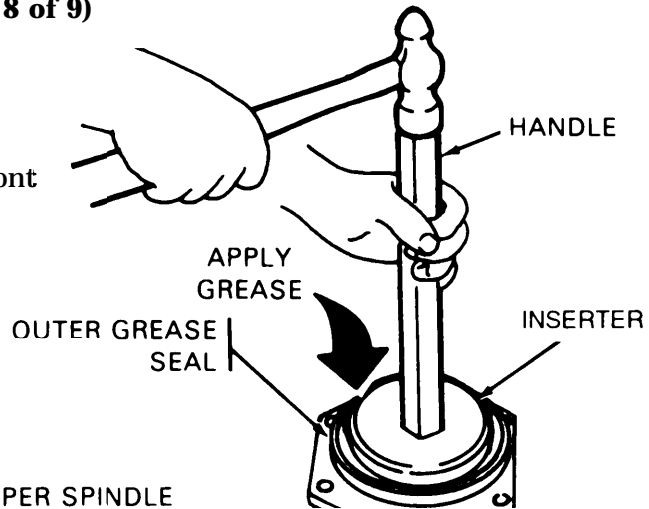
BACK VIEW

OUTER GREASE SEAL

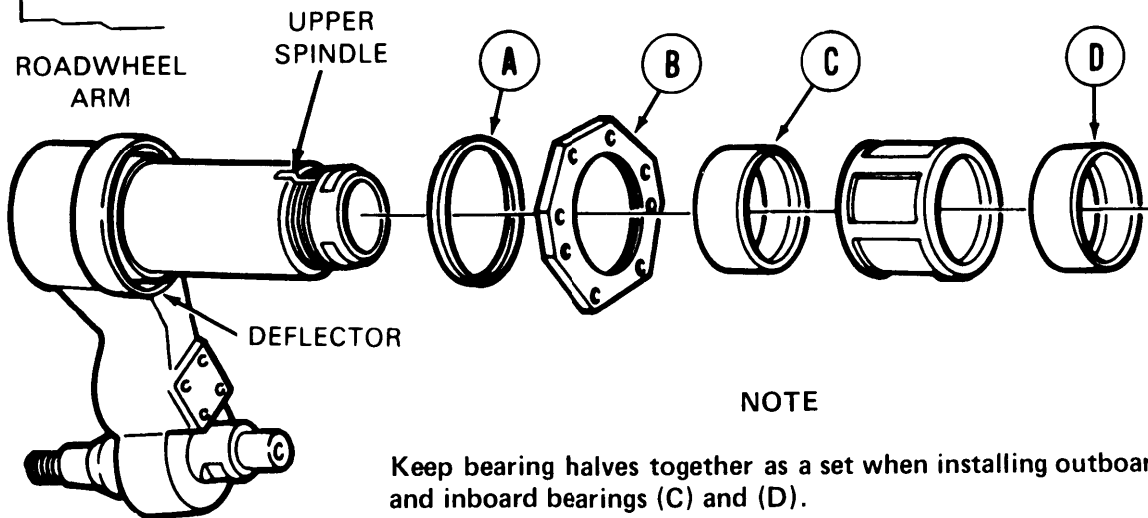
Go on to Sheet 8

**HUB AND ARM ASSEMBLY REPAIR (Sheet 8 of 9)**

6. Coat outer edge of seal (A) with grease.
7. Position seal (A) into retainer (B) with front of seal facing upward.
8. Using inserter and handle, tap handle with hammer to install seal (A).



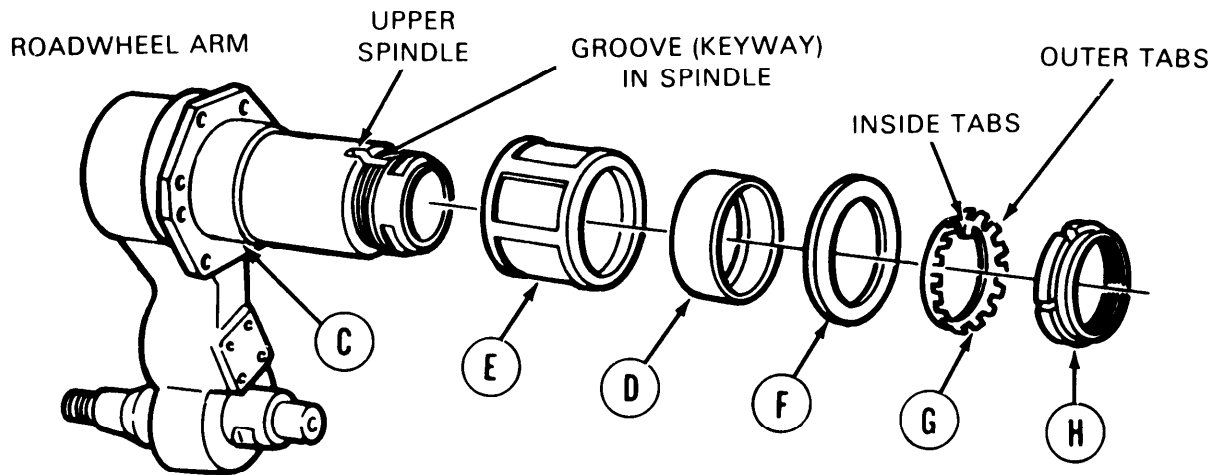
9. Install special oil seal inserter to face with spacer on upper spindle of arm.
10. Position retainer (B) onto upper spindle.
11. Make sure seal in retainer (B) fits into open end of deflector on roadwheel arm.



12. Coat inner and outer races of outboard bearings (C) with grease. Install inner race on spindle. Install outer race over it.

Go on to Sheet 9

**HUB AND ARM ASSEMBLY REPAIR (Sheet 9 of 9)**

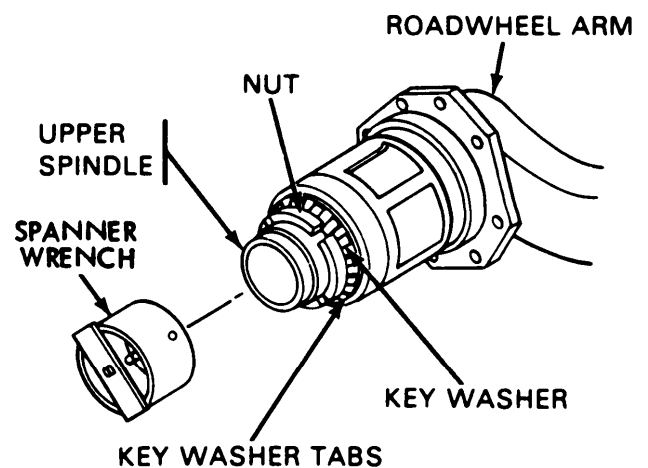


13. Apply grease to sleeve spacer (E) and bearing washer (F).
14. Install sleeve spacer (E) onto spindle up against outboard bearing (C).
15. Repeat step 12 to install inboard bearing (D).
16. Install bearing washer (F) onto spindle up against inboard bearing (D) with stepside of washer (F) facing bearing (D).
17. Install key washer (G) on spindle of arm so that inside tab fits into groove.

**NOTE**

**Make sure outer tabs of key washer are pointing towards nut (H) .**

18. Screw nut (H) onto threaded end of spindle.
19. Using spanner wrench, tighten nut (H) until parts on spindle cannot be turned by hand.
20. Back off nut (H) just enough so parts can be turned by hand through one complete turn on spindle.
21. Using pliers, bend tab on key washer (G) into alining slot on nut (H).
22. Install roadwheel arm (page 14-17).



End of Task

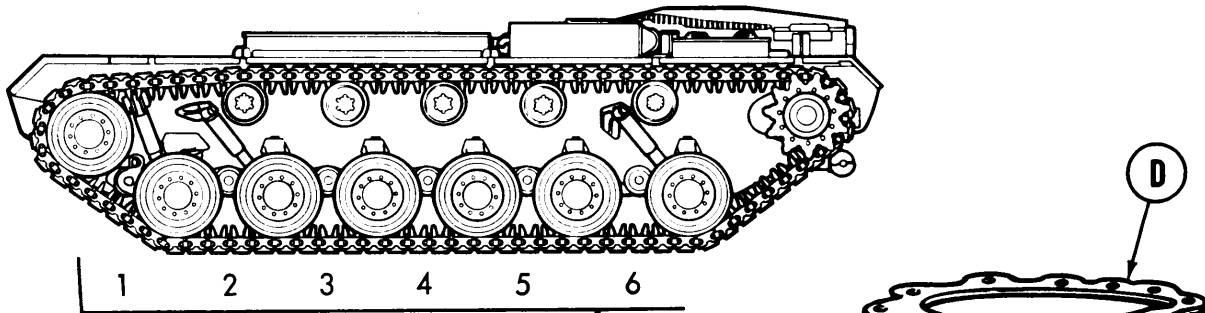
**ROADWHEEL SUPPORT HOUSING ASSEMBLY REPAIR AND REPLACEMENT (Sheet 1 of 2)**

TOO LS : 1-5/16 in. socket with 3/4 in. drive      Adjustable wrench  
 Ratchet with 3/4 in. drive                              Slip joint pliers  
 Hammer    Torque wrench with 3/4 in. drive (0-600 lb-ft)  
 Drift pin punch    36 in. extension bar

SUPPLIES: Gasket  
 Grease (Item 37, Appendix D)  
 Sealing compound (Item 25, Appendix D)  
 Lockwashers (9 required)

PERSONNEL: Two

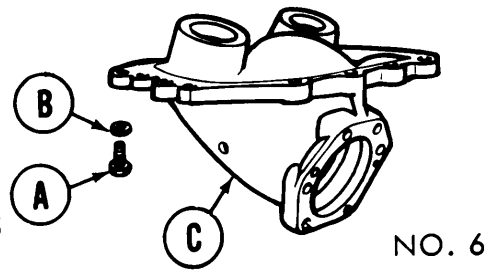
PRELIMINARY PROCEDURES: Remove roadwheels (page 14-2).  
 Disconnect No. 1 roadwheel track adjusting link (page 14-75) (where necessary).  
 Disconnect shock-absorber at bottom (where necessary) (page 14-91).  
 Remove both torsion bars from left and right side (page 14-26).  
 Remove roadwheel arm (page 14-13).  
 Remove torsion bar anchor (page 14-33).



**NOTE**  
 There are six support housings on each side of vehicle.

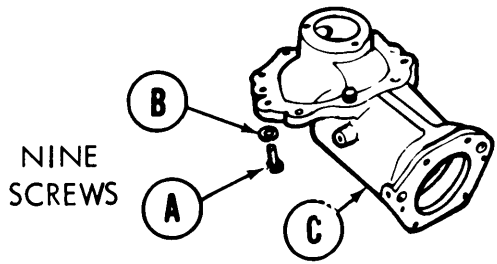
**NOTE**  
 Use jack to support housing during removal and installation.

LEFT-15  
 SCREWS  
 RIGHT-15  
 SCREWS



**REMOVAL:**

- Using socket with ratchet, remove screws (A) and lockwashers (B) securing roadwheel support housing (C) to hull.
- Remove housing (C) and gasket (D) from hull mounting place. Discard gasket (D).



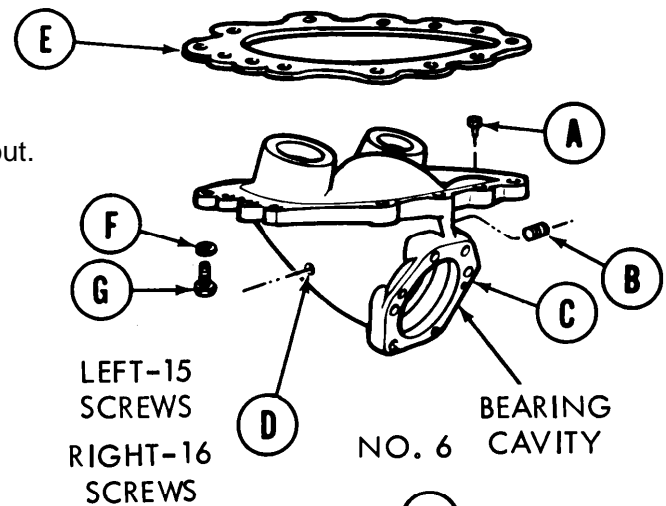
NO. 1 THRU NO. 5

Go on to Sheet 2

**ROADWHEEL SUPPORT HOUSING ASSEMBLY REPAIR AND REPLACEMENT (Sheet 2 of 2)**

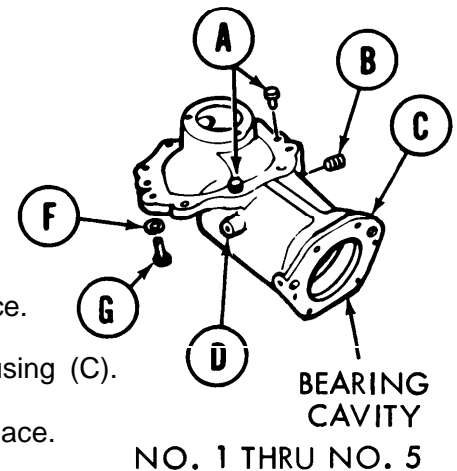
**REPAIR:**

1. Using hammer, tap two straight pins (A) to loosen them. Using pliers, pull pins (A) out.
2. Using adjustable wrench, remove plug (B) from housing (C).
3. Inspect housing (C). Replace if necessary.
4. Coat support housing bearing cavity with grease.
5. Using adjustable wrench, install plug (B).
6. Inspect grease fitting (D). Replace if necessary.



**INSTALLATION:**

1. Using hammer and drift punch, drive two pins (A) into place.
2. Apply sealing compound to mating surfaces of hull and housing (C).
3. Lift housing (C) and gasket (E) and position to mounting place.
4. Aline holes in gasket (E) and housing (C) with holes in hull mounting place.
5. Install lockwashers (F) and screws (G) securing housing (C) to hull.
6. Using socket, alternately tighten screws (G).
7. Using torque wrench, socket, and extension bar, tighten screws (G) to 450 to 475 lb-ft (610-644 N•m).
8. Install torsion bar anchor (page 14-34).
9. Install roadwheel arm (page 14-17).
10. Install torsion bars (page 14-29).
11. Connect bottom of shock absorbers (where necessary) (page 14-92).
12. Connect rear of adjusting link (if necessary) (page 14-78).
13. Install roadwheels (page 14-5).



End of Task

SUSPENSION TORSION BAR REPLACEMENT (Sheet 1 of 7)

PROCEDURE INDEX

PROCEDURE	PAGE
Removal	14-26
Installation	14-29

**TOOLS:** 3/4 in. socket with 1/2 in. drive  
Ratchet with 1/2 in. drive  
Mallet  
Crowbar (or pinch bar)  
Rod (or drift pin)  
15 in. adjustable wrench  
8 in. extension with 3/4 in. drive  
36 in. extension bar  
Automotive wrench  
Slide hammer puller  
Mechanical puller adapter

**SPECIAL TOOLS:** Roadwheel arm lifter (Item 12, Chapter 3, Section I)  
Socket wrench adapter (Item 27, Chapter 3, Section I)

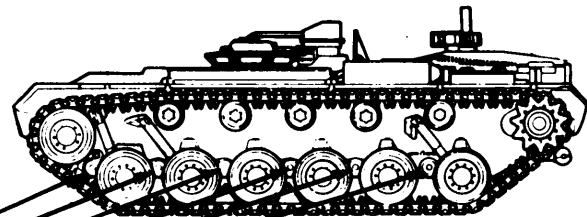
**SUPPLIES:** Grease, (Item 37, Appendix D)  
Blocks

**PERSONNEL:** Two

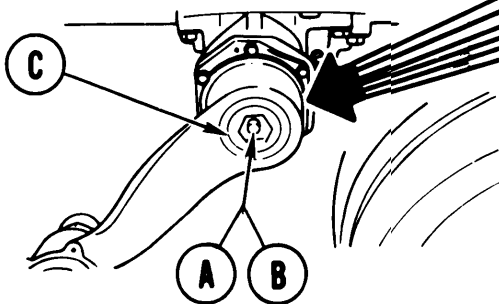
**PRELIMINARY PROCEDURES:** Remove hub assembly (page 14-6).

**NOTE**

**There are 12 torsion bars. Six on each Side of Vehicle.**



**REMOVAL:**



1. Using socket, remove screw (A) and lockwasher (B) securing end plug (C).

Go on to Sheet 2

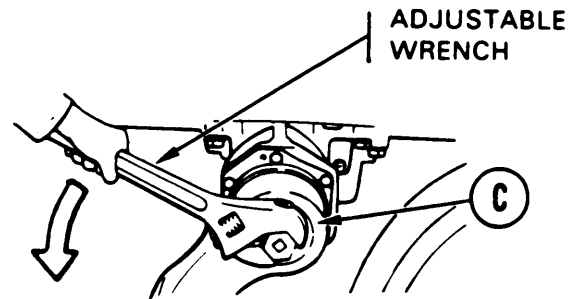


**SUSPENSION TORSION BAR REPLACEMENT (Sheet 2 of 7)**

2. Install socket wrench adapter into end plug (C).

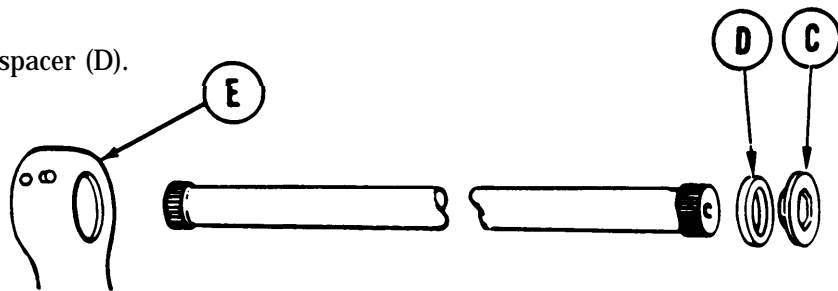
**NOTE**

**It may be necessary to use 36 inch bar extension.**



3. Using adjustable wrench or socket wrench adapter, loosen end plug (C).

4. Remove end plug (C) and spacer (D).



5. Have second person start engine. Then shift transmission into reverse and slowly back vehicle up.
6. Direct second person to stop vehicle when support arm (E) is in down position.

7. Using mallet, tap roadwheel arm lifter off spindle stub. Remove lifter.

Go on to Sheet 3

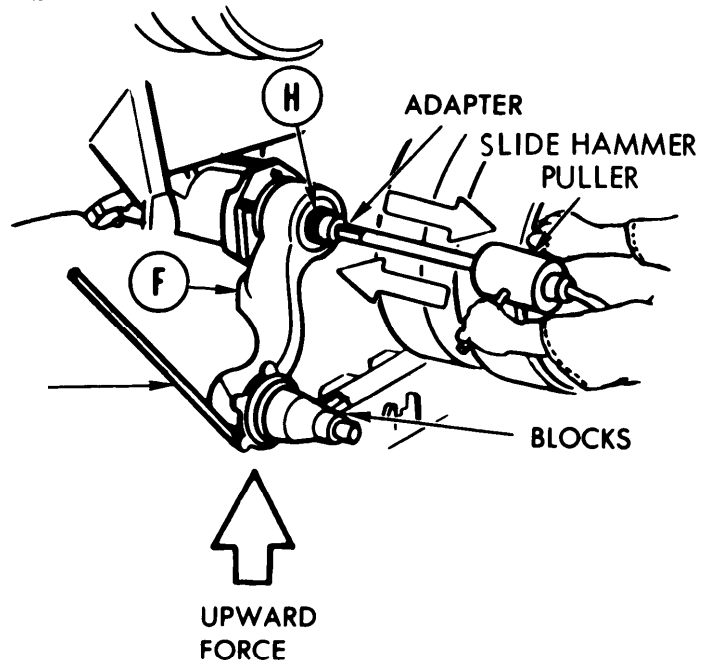
SUSPENSION TORSION BAR REPLACEMENT (Sheet 3 of 7)

- Using crowbar (or pinch bar), apply upward force to bottom of support arm (F).

- Have second person position blocks under support arm (F) while force is being applied

- Remove crowbar.

- Using adjustable wrench, screw adapter into threaded hole of torsion bar (H).

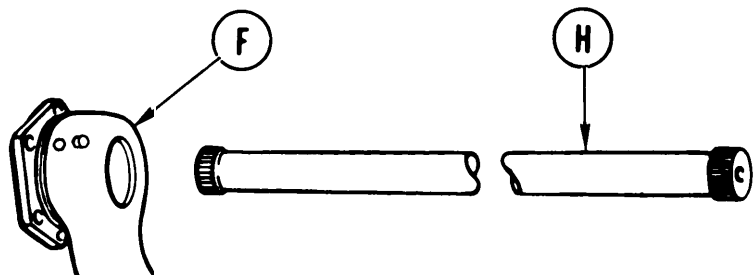


NOTE

**The adapter must be tightened each striking movement.**

- Using slide hammer puller with adapter, pull torsion bar (H) by sliding slide hammer puller along the slide hammer rod.

- Keep on pulling torsion bar (H) with some force until torsion bar (H) spline is free from side of hull.

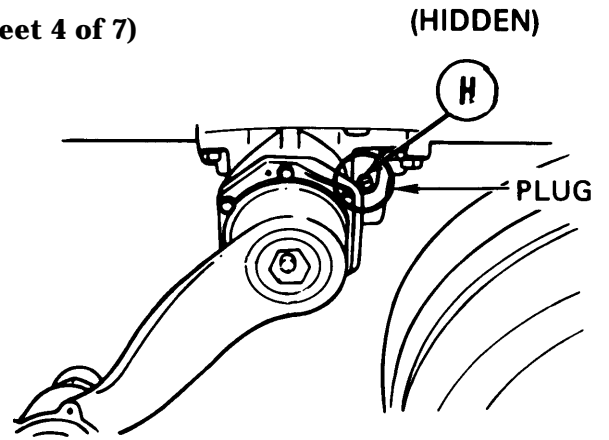


- Pull torsion bar (H) out of support arm (F).

Go on to Sheet 4

**SUSPENSION TORSION BAR REPLACEMENT (Sheet 4 of 7)**

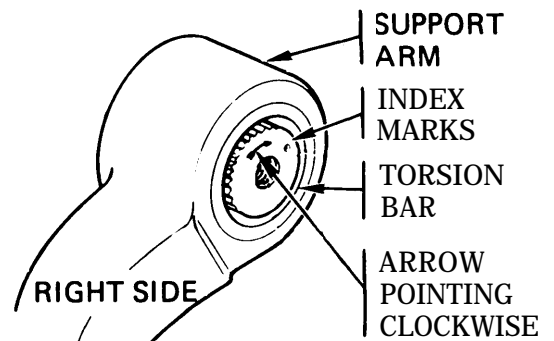
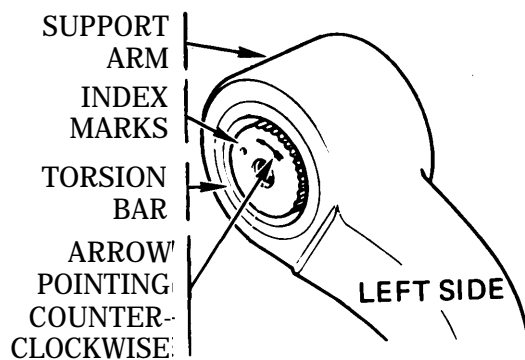
15. If torsion bar is broken, use adjustable wrench to remove plug at opposite side of vehicle.
16. Stick rod through plug hole. Using mallet, tap rod to drive torsion bar (H) out from other end.
17. Replace torsion bar (H) or other parts found defective.



INSTALLATION:

**CAUTION**

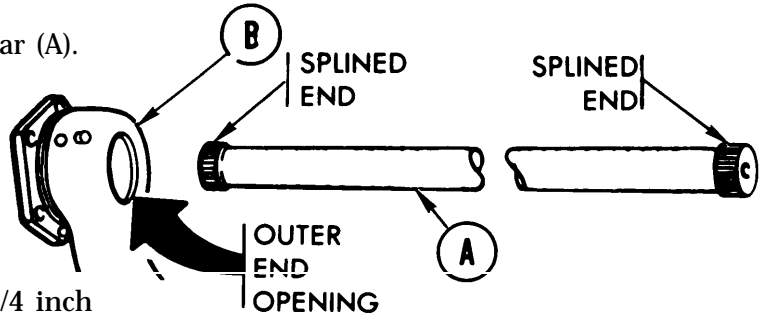
**Six torsion bars on one side of vehicle are different from six bars on other side. Left side bars have arrow pointing counter clockwise. Right side bars have arrows pointing clockwise.**



Go on to Sheet 5

SUSPENSION TORSION BAR REPLACEMENT (Sheet 5 of 7)

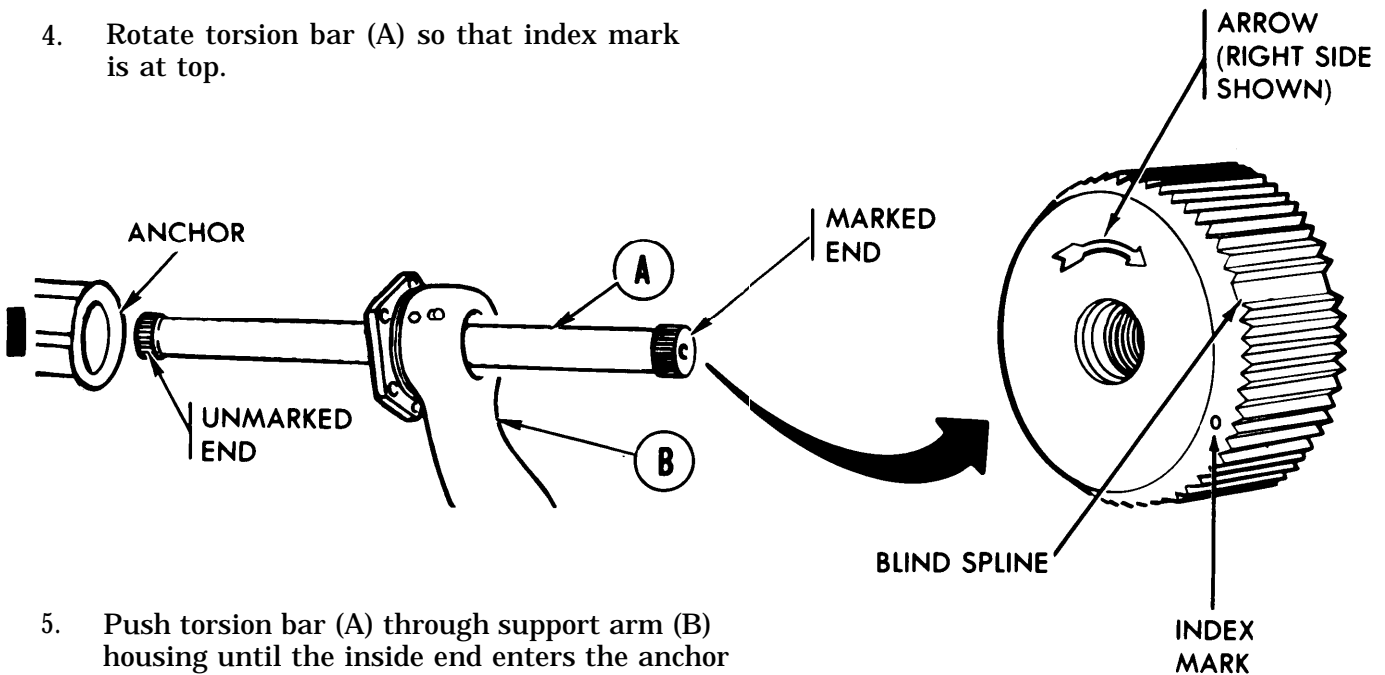
1. Apply grease to splined ends of torsion bar (A).



2. Fill outer end opening with grease (1/4 inch deep).

3. Insert unmarked end of torsion bar (A) into roadwheel support arm (B).

4. Rotate torsion bar (A) so that index mark is at top.

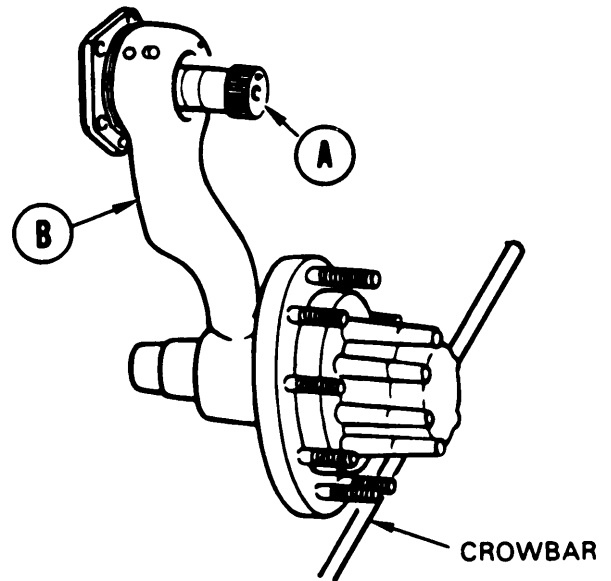


5. Push torsion bar (A) through support arm (B) housing until the inside end enters the anchor on the other side of vehicle, when this is done about 1/2 inch of the torsion bar will be out of the support arm (B) housing.

Go on to Sheet 6

**SUSPENSION TORSION BAR REPLACEMENT (Sheet 6 of 7)**

6. Using crowbar (or pinch bar), apply upward pressure to support arm (B) until blind spline on bar (A) and index marks on support arm (B) are aligned.

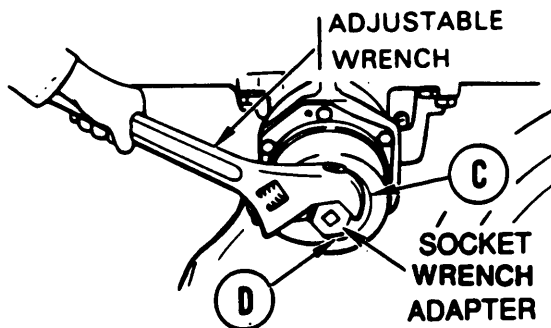


7. Using slide hammer puller and adapter, push end of bar (A) in as far as it will go. Remove blinks and crowbar.

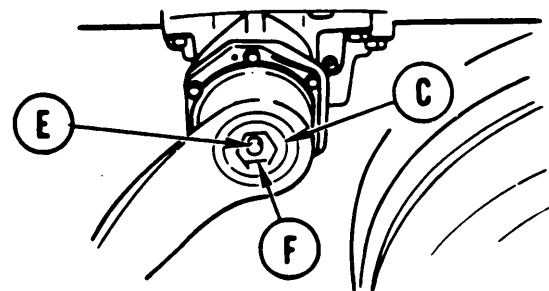
8. Remove slide hammer and adapter.

9. Apply grease to end of bar (A).

10. Using adjustable wrench with socket wrench adapter, screw end plug (C) and spacer (D) into place. Remove socket wrench adapter.



11. Secure spacer (D) and end plug (C) with lockwasher (E) and sinew (F).

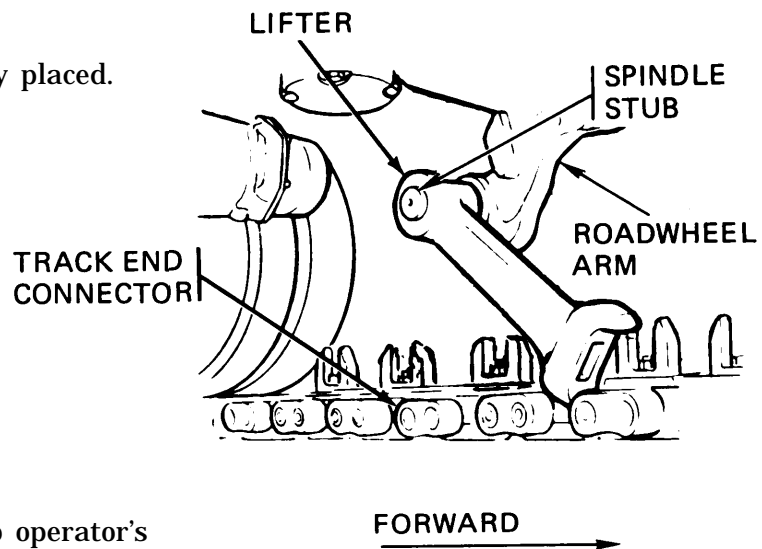


12. Using deep socket with ratchet, tighten screw (F).

Go on to Sheet 7

**SUSPENSION TORSION BAR REPLACEMENT (Sheet 7 of 7)**

13. Position lifter to inside of roadwheel over spindle stub and onto track end connector.
14. Make sure that lifter is correctly placed.



15. Have second technician get into operator's seat and start vehicle.
16. Direct technician to drive vehicle forward slowly.
17. When lifter is straight up and down, tell second person to STOP vehicle.
18. Install roadwheel hub (page 14-9).

End of Task

TA169296

**TORSION BAR ANCHOR REPLACEMENT (Sheet 1 of 3)**

**TOOLS:** Putty knife  
 3/4 in. socket with 1/2 in. drive  
 Extractor tool set

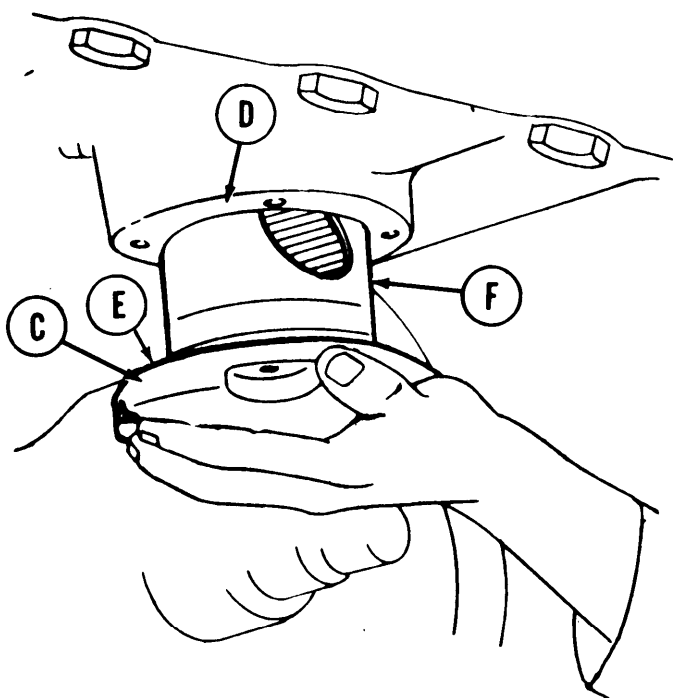
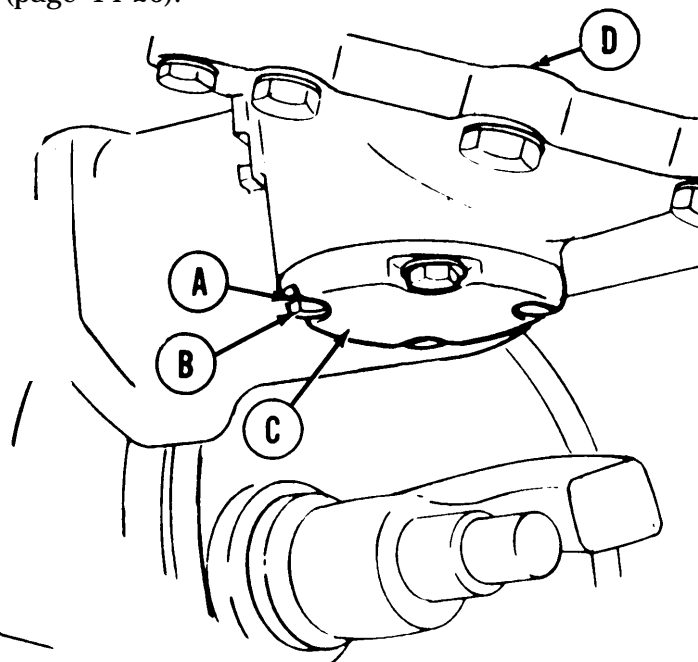
Pry bar  
 Portable drill and drill set  
 Ratchet with 1/2 in. drive  
 Crowbar

**SUPPLIES:** Gasket  
 Pins (2 required)  
 Lockwashers (4 required)  
 Corrosion preventive (Item 76, Appendix D)  
 Solid film lubricant (Item 77, Appendix D)

**PRELIMINARY PROCEDURE:** Remove torsion bar from exact opposite side of vehicle (page 14-26).

**REMOVAL:**

1. Using socket, remove four screws (A) and lockwashers (B) securing cover (C) to roadwheel housing (D).



2. Using prybar, pry cover (C) free from housing (D).
3. Remove cover (C), gasket (E), and anchor (F) as assembly from housing (D). Discard gasket (E).

Go to Sheet 2

**TORSION BAR ANCHOR REPLACEMENT (Sheet 2 of 3)**

**NOTE**

**If anchor cannot be removed, perform steps 4 thru 9. If anchor was removed, go to step 10.**

4. Using socket head screw key, remove two plugs (G) from cover (C).
5. Reverse cover (C) and secure to anchor (F) using two previously removed screws (A).

**NOTE**

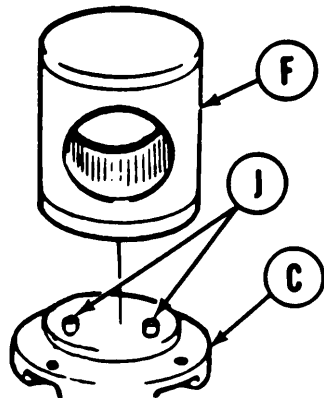
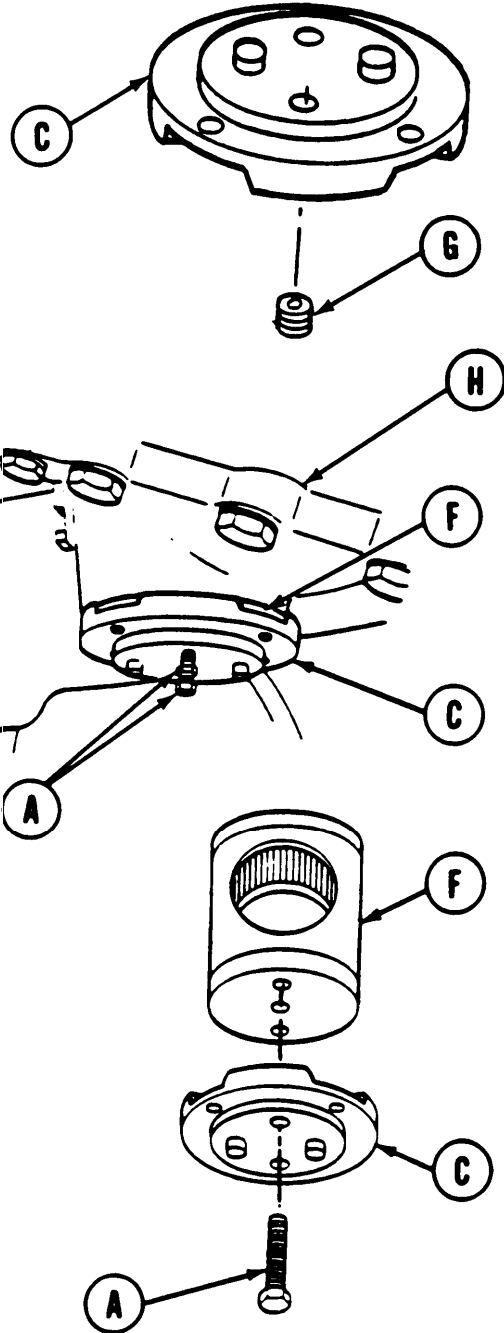
**Cover (C) will rest against road-wheel housing (H).**

6. Using socket, alternately tighten screws (A) until snug.

**WARNING**

**Hold cover (C) in place while performing step 7. Cover (C) and anchor (F) could fall free from vehicle, causing injury.**

7. Alternately tighten screws (A) to pull anchor (F) from vehicle evenly.
8. Remove cover (C) and anchor (F) from vehicle.
9. Remove two screws (A) securing cover (C) to anchor (F).



10. Separate anchor (F) from cover (C).
11. If pins (J) must be removed from cover, using drill, make 1/4 inch hole in top of pin.
12. Using extractor tool, remove pins (J) from cover.

Go on to Sheet 3

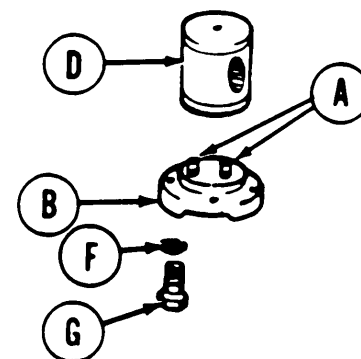
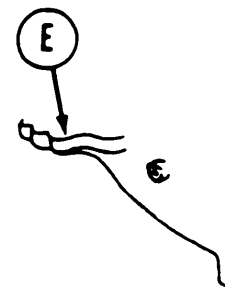
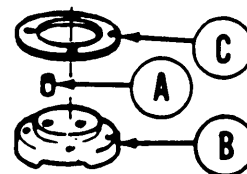


**TORSION BAR ANCHOR REPLACEMENT (Sheet 3 of 3)**

13. Apply corrosion preventive to the inside of the torsion bar anchor housing and solid film lubricant to the torsion bar anchor.
14. Remove them, as necessary, to repair suspension system.

**INSTALLATION:**

1. Press two pins (A) into cover (B), if they were removed.
2. Install gasket (C) to cover (B).
3. Position anchor (D) onto cover (B) so that two pins (A) fit into holes in anchor.
4. Lift cover (B) and anchor (D) as an assembly. Mount in roadwheel housing (E) opening.
5. Install four new lockwashers (F) and screws (G) to secure cover (B) to housing (E).
6. Using socket wrench, tighten four screws (G).
7. Install torsion bar at opposite side of tank (page 14-29).



End of Task

**TRACK SUPPORT ROLLER REPLACEMENT (Sheet 1 of 10)**

PROCEDURE INDEX

PROCEDURE	PAGE
Removal	14-36
Installation	14-42

TOOLS: Ratchet with 1/2 in. drive  
 9/16 in. socket with 1/2 in. drive  
 2-1/2 in. socket with 3/4 in. drive  
 Hydraulic jack  
 Hammer  
 Flat-tip screwdriver  
 Straight punch 3/4 in. dia. 10 in. long  
 Ratchet with 3/4 in. drive  
 Pliers  
 Grease gun  
 3/16 in. alining punch  
 3/8 in. punch  
 Slide hammer puller

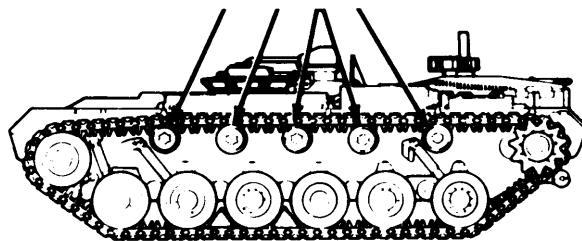
SPECIAL TOOLS: Face wrench socket (Item 28, Chapter 3, Section I)  
 Seal Inserter (Item 22, Chapter 3, Section I)  
 Axle remover adapter (Item 7, Chapter 3, Section I)

SUPPLIES: Cotter pin  
 Gasket (2 required)  
 Grease (Item 37, Appendix D)  
 Rags (Item 65, Appendix D)  
 Seals  
 Nut lock  
 1/2 in. rod  
 Wooden planks 2 in. by 6 in. by 4 ft. (or metal plates)(2 required)  
 Wooden safety block 2 in. by 6 in. by 2 ft.  
 lockwashers (6 required)

PERSONNEL: Two

REFERENCES: TM 5-5420-226-10  
 LO 5-5420-226-12

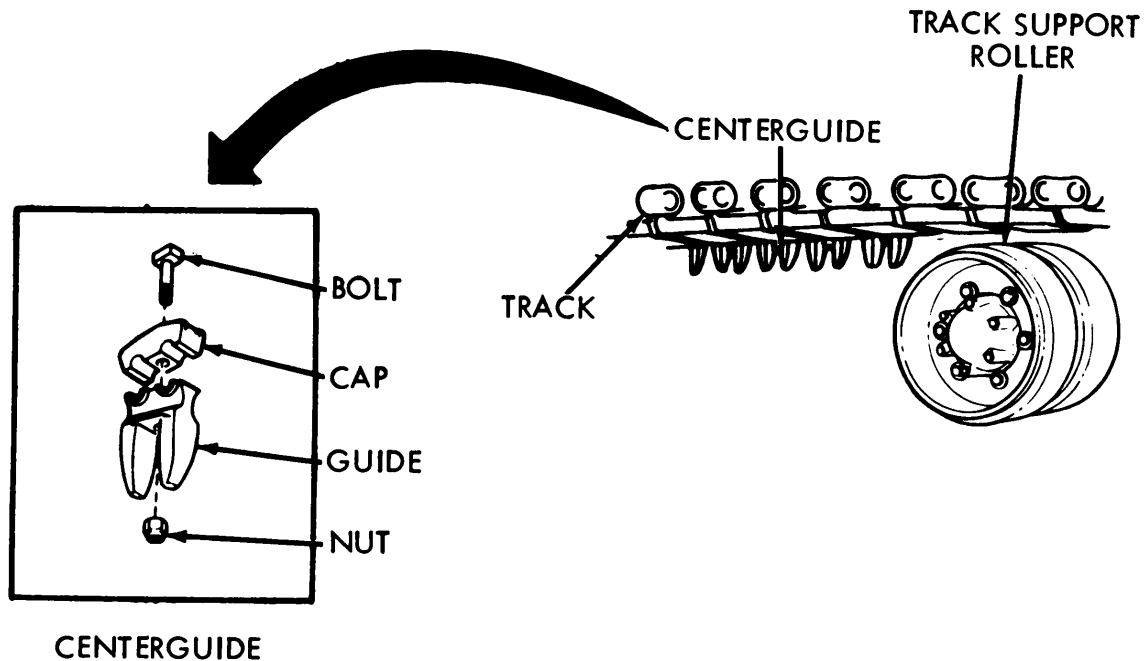
TRACK SUPPORT ROLLERS



Go on to Sheet 2

**TRACK SUPPORT ROLLER REPLACEMENT (Sheet 2 of 10)****REMOVAL:**

1. Remove two track centerguides (TM 5-5420-226-10) just in front of support roller to be removed.



2. Have second technician start engine (TM 5-542 G226-10).
3. Have second technician drive vehicle slowly until area where centerguides were removed is over track support roller.
4. Have second technician stop vehicle and shut engine off (TM 5-5420-226-10).
5. Apply parking brake (TM 5-5420-226-10).
6. Loosen track tension (TM 5-5420-22610).

Go on to Sheet 3

TA169301

TRACK SUPPORT ROLLER REPLACEMENT (Sheet 3 of 10)

NOTE

If plank or base plate is not available position jack on roadwheel near roller and raise track.

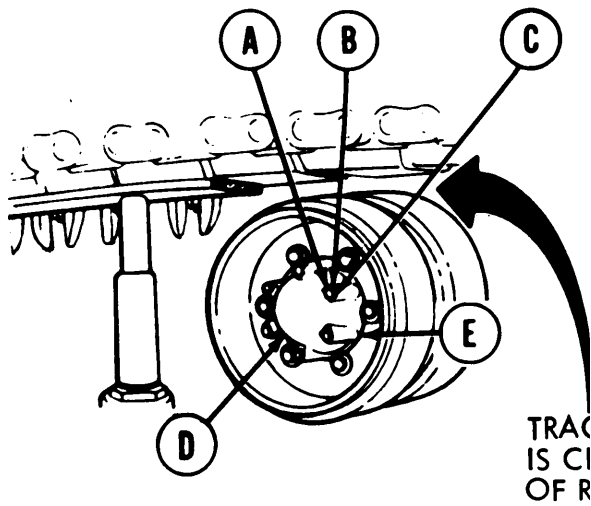
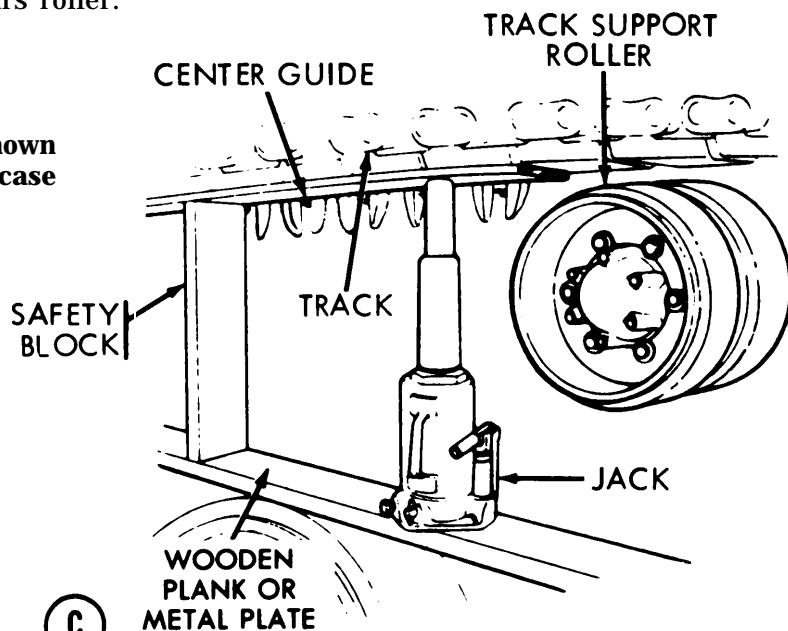
NOTE

If hydraulic jack is not available, disconnect track (TM 5-5420-226-10). Then move vehicle in reverse until track is off of roller.

7. Using wooden plank or metal plate as base on roadwheel, position hydraulic jack.
8. Using jack, raise track so it clears roller.

**WARNING**

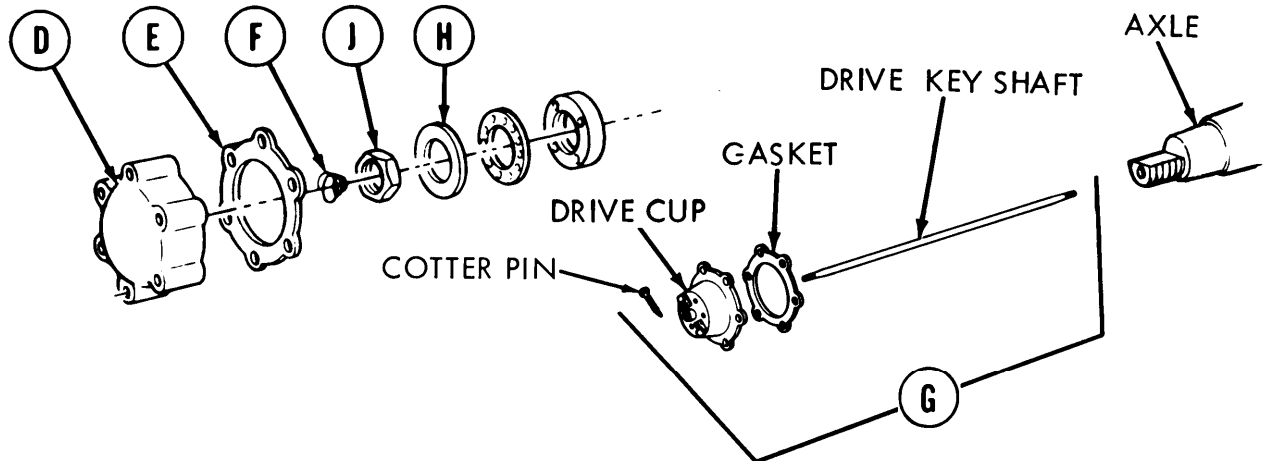
Safety block must be installed as shown to prevent injury to personnel in case of jack failure.



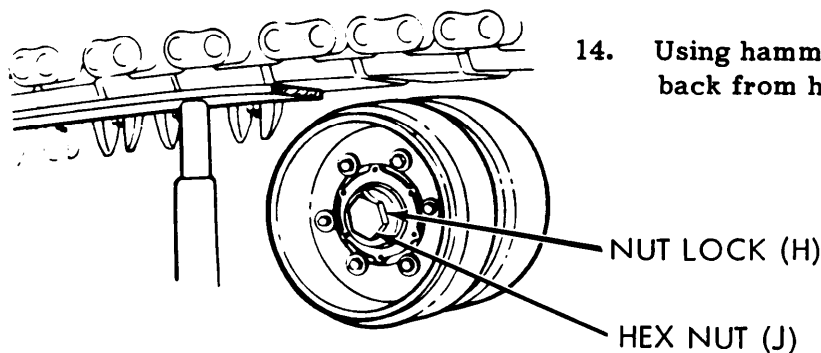
9. Using 9/16 inch socket, remove six screws (A), lockwashers (B), and flat washers (C) securing access cover plate (D) and gasket (E).

**TRACK SUPPORT ROLLER REPLACEMENT (Sheet 4 of 10)**

10. Remove access cover plate (D) and gasket (E). Throw gasket (E) away.



11. Remove static ground spring (F) from cover plate (D) on all support rollers, except left front.
12. Pull speedometer drive assembly (G) from support axle on left front support roller ONLY.
13. Using pliers, remove cotter pin from speedometer drive assembly (G). Throw cotter pin away.



14. Using hammer and punch, bend nut lock (H) back from hex nut (J).

Go on to Sheet 5

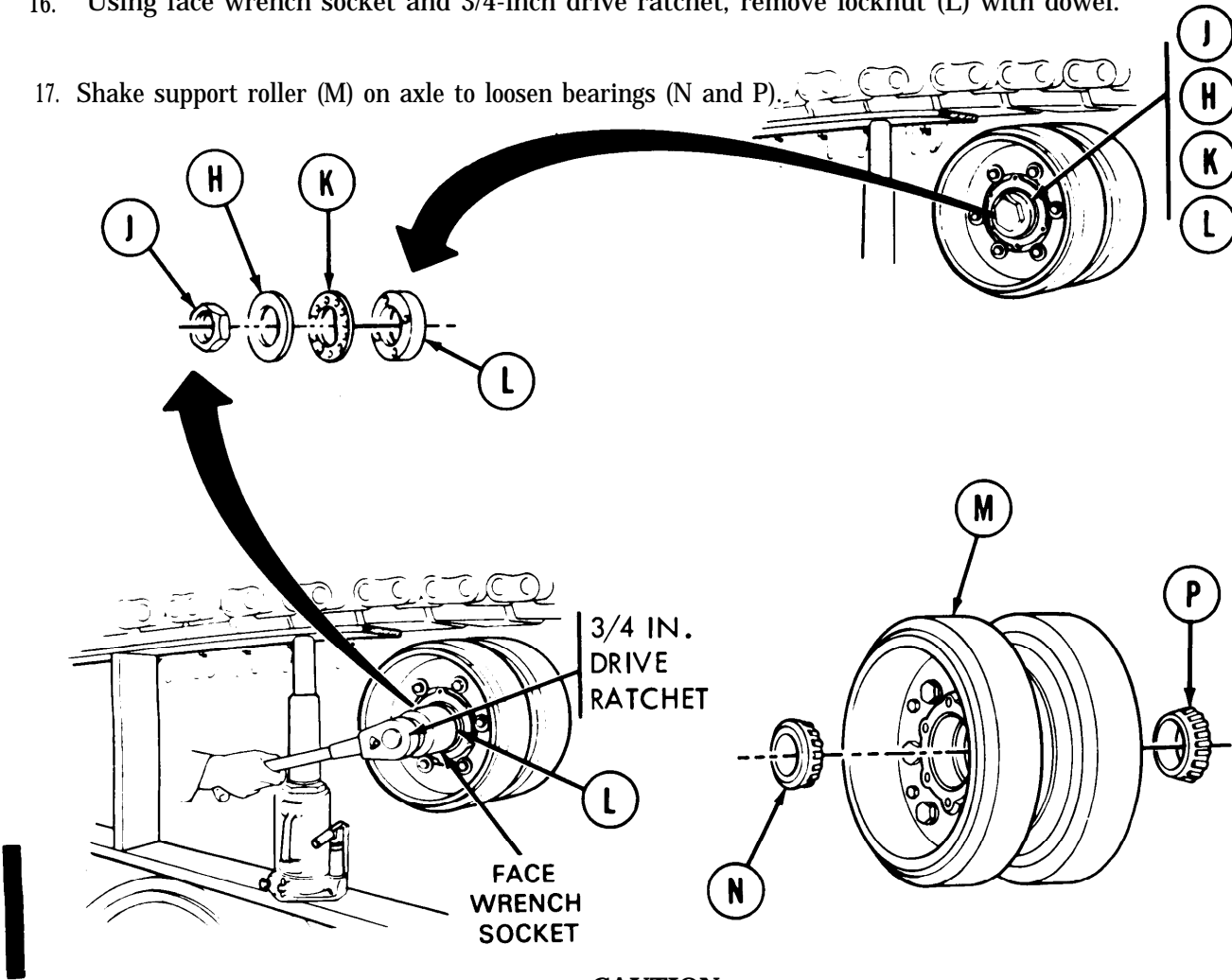
TA169303

**TRACK SUPPORT ROLLER REPLACEMENT (Sheet 5 of 10)**

**NOTE**

**It may be necessary to start nut lock (H) with screwdriver**

15. Using 2-1/2 inch socket, remove nut (J), nut lock (H) and lock (K). Discard lock (H),
16. Using face wrench socket and 3/4-inch drive ratchet, remove locknut (L) with dowel.
17. Shake support roller (M) on axle to loosen bearings (N and P).



**CAUTION**

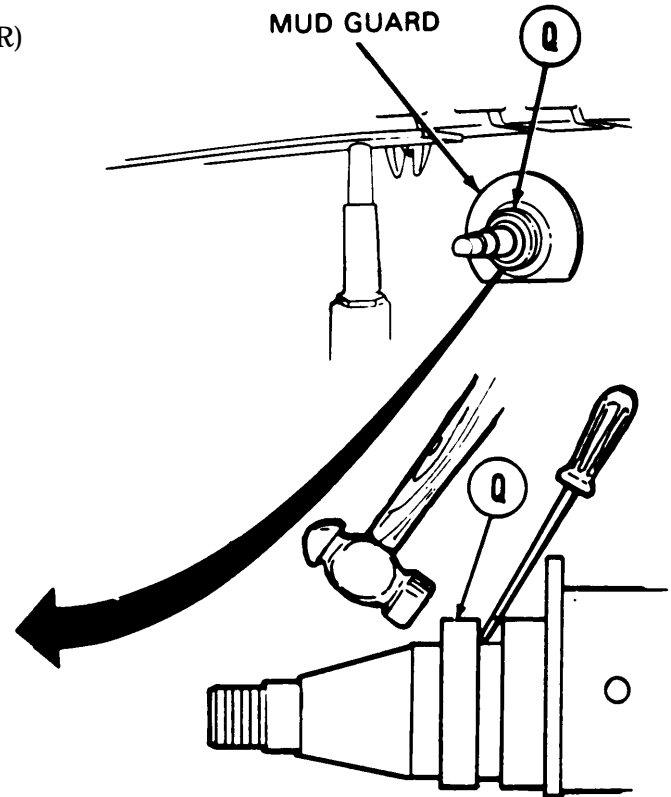
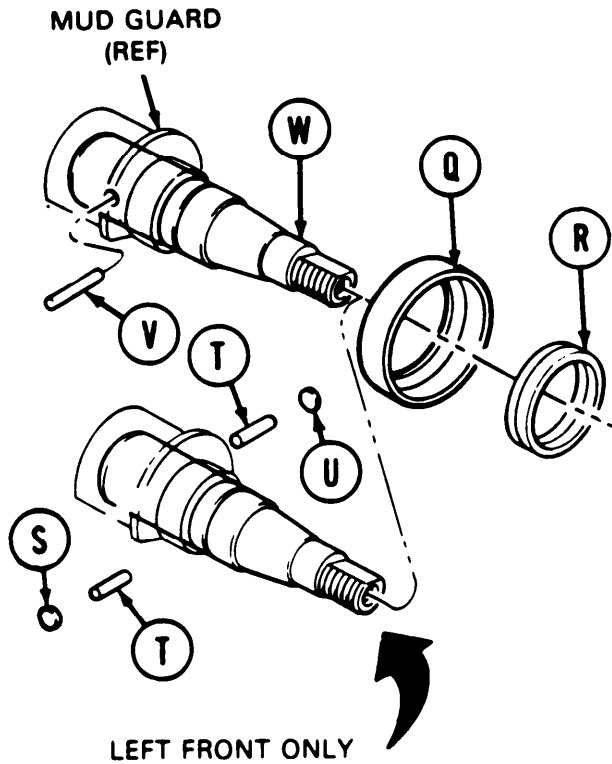
**Do not damage axle when removing support roller parts.**

18. Pull outer bearing (N) and roller (M) off axle.
19. Pull inner bearing (P) off axle.

Go on to Sheet 6

**TRACK SUPPORT ROLLER REPLACEMENT (Sheet 6 of 10)**

20. Using hammer, tap around deflector (Q) to free it and seal (R).
21. Using screwdriver, pry deflector (Q) and seal (R) from axle as shown.
22. Remove deflector (Q) and seal (R) from axle. Discard seal (R).



23. On left front support roller **ONLY**, using 3/16 inch alining punch and hammer, tap around edges of plug (S) until plug can be pried free with screwdriver.

**NOTE**

**If plugs in steps 23 and 24 cannot be removed as written, drill a hole in one or the other plug and use a 1/2 inch rod to punch out plug. Replace plug which has been drilled.**

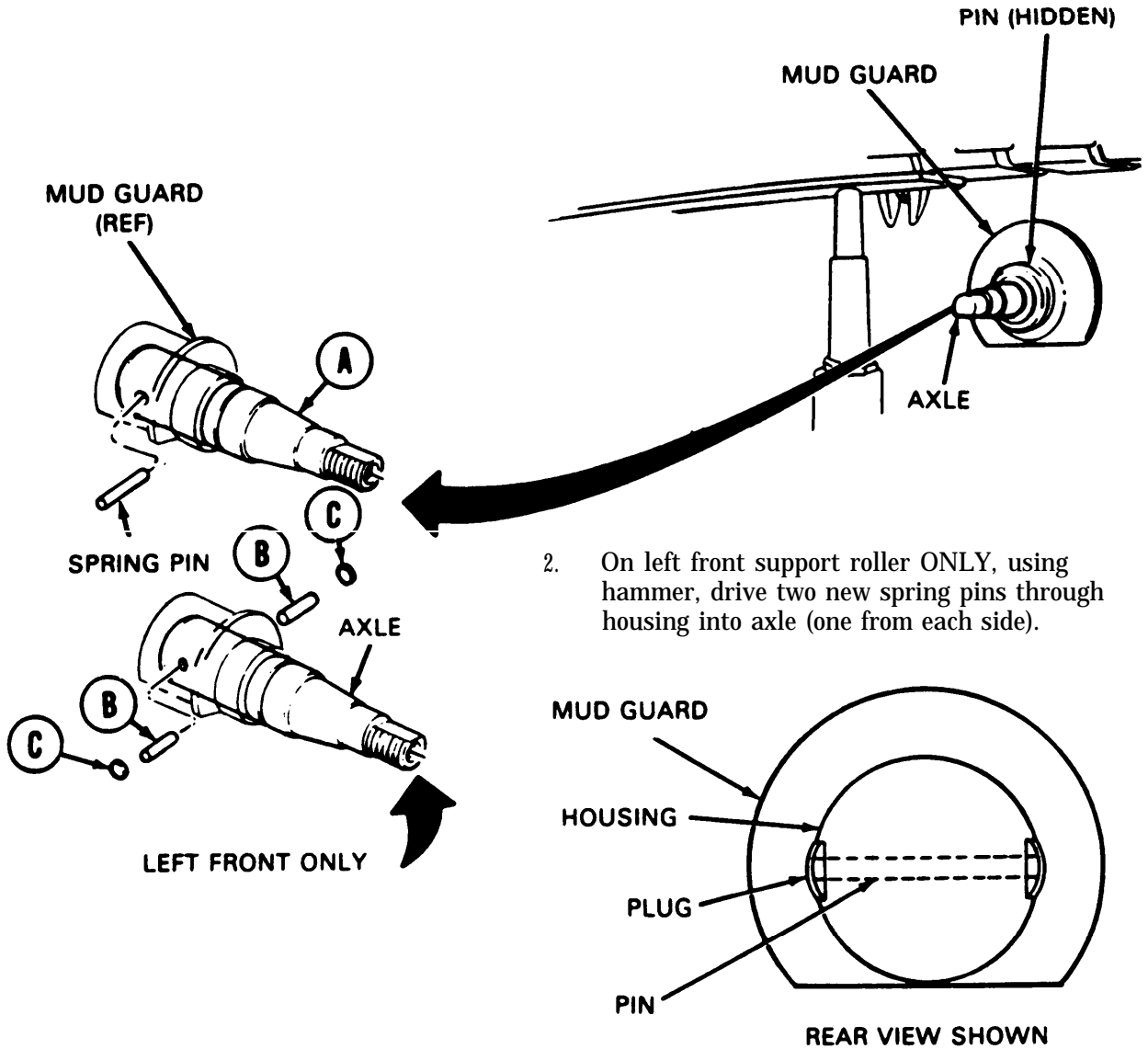
24. Using hammer and 3/8 inch punch, drive two spring pins (T) and other plug (U) out of axle. Discard pins (T).
25. Using hammer and 3/8 inch punch, drive pin (V) out of other axles. Discard pins (V).
26. Using axle remover adapter and slide hammer puller, remove axle (W).

Go on to Sheet 6.1

**TRACK SUPPORT ROLLER REPLACEMENT (Sheet 6.1 of 10)**

**INSTALLATION:**

1. Aline hole in axle (A) hole in housing when mounting axle.



2. On left front support roller ONLY, using hammer, drive two new spring pins through housing into axle (one from each side).

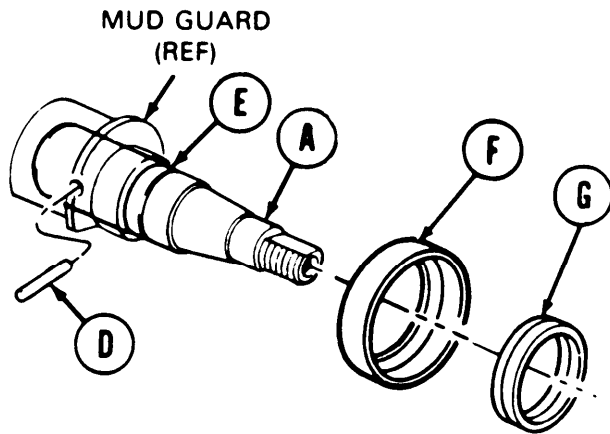
3. Continue driving spring pins (B) in until they are both flush (even) with housing surface, as shown
4. Position dome of both plugs (C) to outside. Using hammer and 3/4 inch punch, drive plugs into place (both sides).
- 4.1. When plugs are fully seated, using hammer and 3/16 inch alining punch, force edges of dome into hull housing.

Go on to Sheet 7



**TRACK SUPPORT ROLLER REPLACEMENT (Sheet 7 of 10)**

- 4.2. On other support rollers, using hammer, tap new spring pin (D) through hole in housing and axle (A).
- 4.3. Make sure spacer (E) is correctly installed on axle (A).

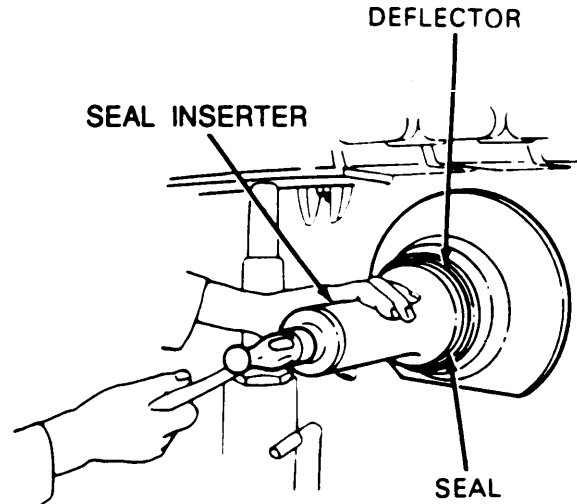
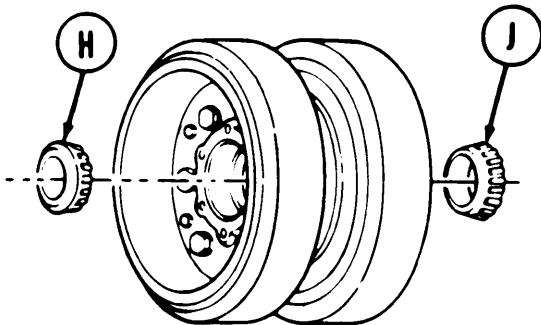


**NOTE**

**Open groove of deflector (F) and lip seal (G) must face outward.**

- 4.4. Mount deflector (F) and new seal (G) over axle (A).
- 4.5. Using hammer and seal inserter, tap deflector and seal into place.

- 4.6. Pack inner bearing cone (H) with grease.
- 4.7. Pack outer bearing cone (J) with grease.

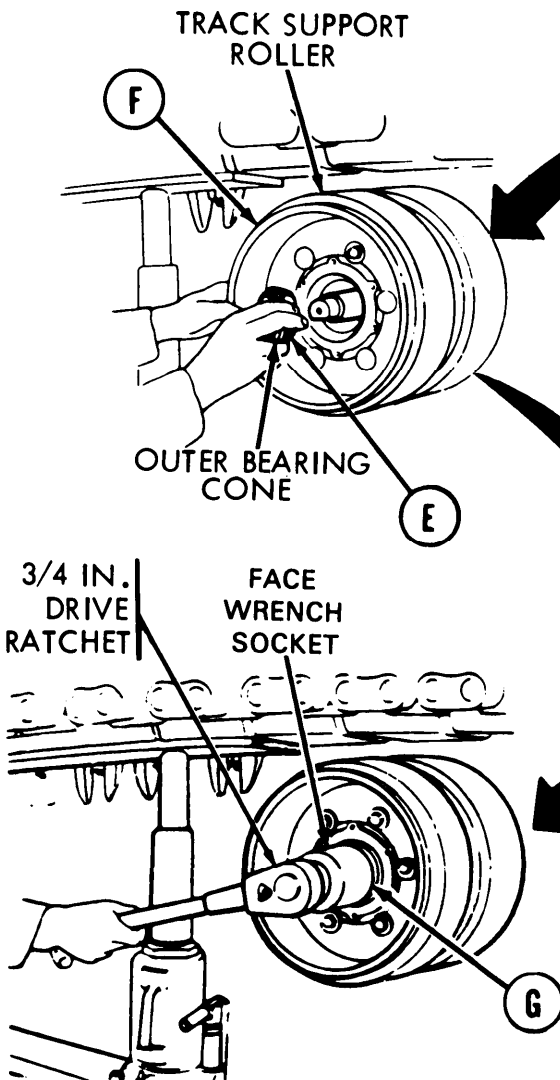
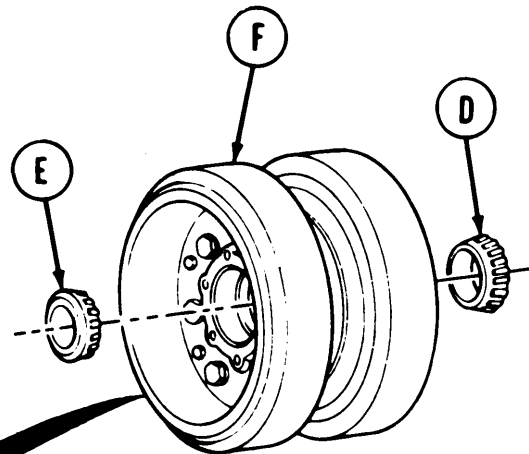


Go on to Sheet 8

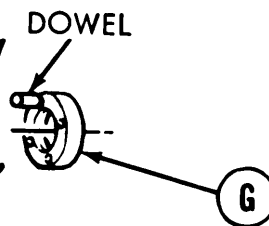


**TRACK SUPPORT ROLLER REPLACEMENT (Sheet 8 of 10)**

5. Position inner bearing cone (D) to support roller assembly (F).
6. Have second person position support roller (F) and inner bearing cone (D) on support axle



7. Install outer bearing cone (E) into position on axle .
8. Screw round nut (G) onto shaft. Using face wrench socket, tighten round nut (G).



9. Loosen round nut (G) about 1/2 turn so support roller (F) turns easy.
10. Rotate support roller (F) while retightening nut (G) until bearings bind. Back nut off 1/8 turn.

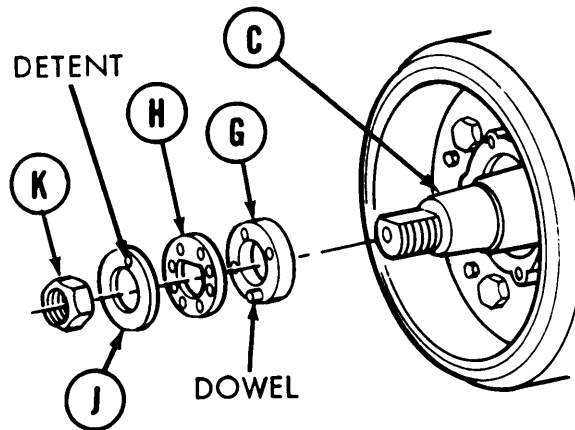
Go on to Sheet 9

**TRACK SUPPORT ROLLER REPLACEMENT (Sheet 9 of 10)**

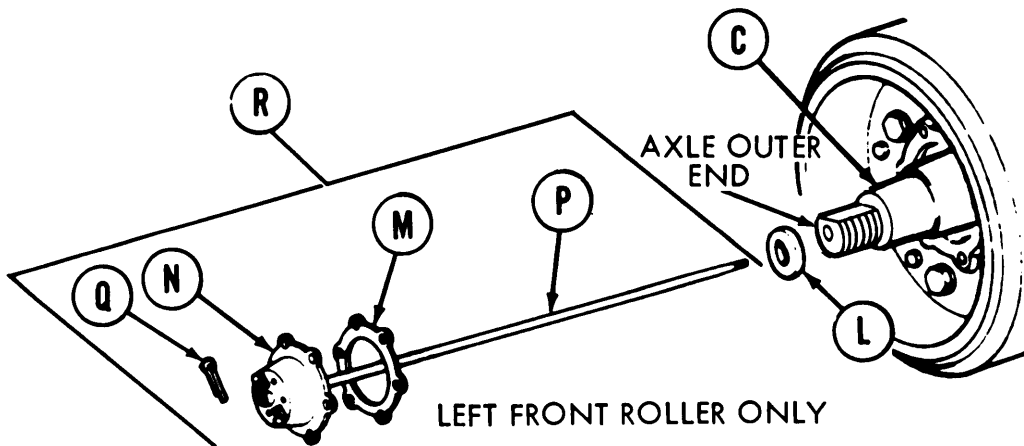
11. Install lock (H) and align hole in lock (H) to dowel of nut (G).

**NOTE**

**If hole in lock (H) does not line up to dowel of nut (G) turn lock (H) over for closer alignment.**



12. Install a new nut lock (J) onto axle (C).
13. Make sure detent of nut lock (J) seats in hole of lock (H).
14. Install hex nut (K). Using 2-1/2 inch socket tighten nut.
15. Using hammer and screwdriver, bend nut lock (J) around hex nut (K).
16. For left front support roller only, do steps 17 thru 21.
17. Grease seal (L).
18. Install seal (L) to axle outer end with lip facing out.



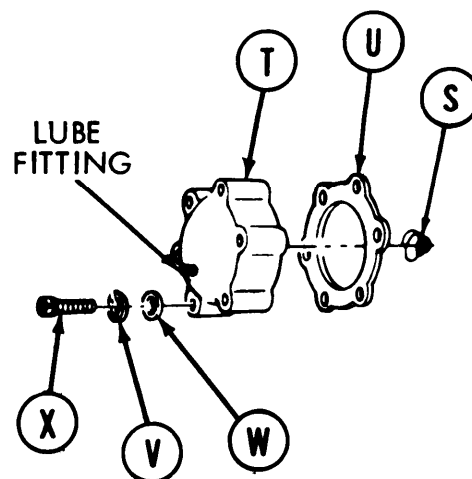
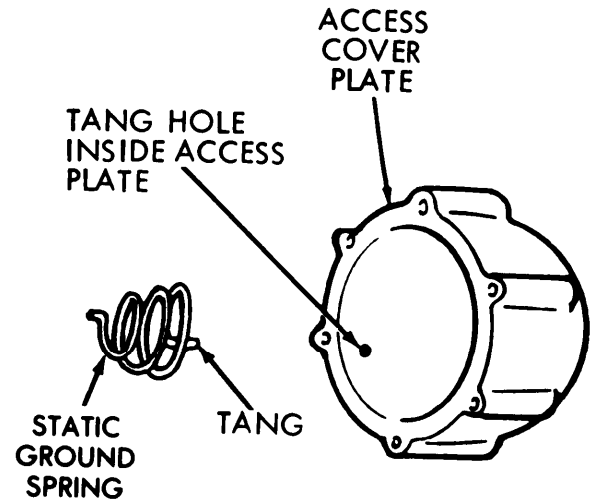
19. Install new gasket (M) to drive cup (N).
20. Push drive key shaft (P) through cup (N) and install new cotter pin (Q) with pliers.
21. Install speedometer drive assembly (R) through seal (L) and into axle (C). Rotate shaft (P) until splines on its end mate to keyway in hull mounted adapter.

Go on to Sheet 10

TA169308

**TRACK SUPPORT ROLLER REPLACEMENT (Sheet 10 of 10)**

22. For all support rollers, do steps 23 and 24.
23. Place static ground spring (S) into access cover plate (T) so tang is in hole inside cover plate (T).
24. Twist spring (S) into place.
25. Position new gasket (U) and cover plate (T) to hub, and secure to hub with six lock-washers (V), flat washers (W) and screws (X).
26. Using 9/16 inch socket, tighten screws (X) alternately.
27. Using grease gun to lube fitting on cover plate, lube support roller.
28. If jack was used, lower it. Remove jack and planks (or plates).
29. Have second technician start engine and move vehicle so two centerguides can be installed (TM 5-5420-226-10).
30. Install centerguides (TM 5-5420-226-10).
31. Adjust track tension (TM 5-5420-226-10).
32. Test drive vehicle a short way (TM 5-5420-226-10).



End of Task

TA169309

**TRACK SUPPORT ROLLER ASSEMBLY REPAIR (Sheet 1 of 4)**  
**PROCEDURE INDEX**

PROCEDURE	PAGE
Disassembly	14-46
Assembly	14-49

**TOOLS:** 9/16 in. socket with 1/2 in. drive  
 Ratchet with 1/2 in. drive  
 Sin. long extension with 1/2 in. drive  
 Ball peen hammer  
 Torque wrench with 1/2 in. drive 175 lb-ft capacity  
 Remover-replacer

**SPECIAL TOOLS:** Bearing inserter set (Item 17, Chapter 3, Section I)  
 Manual control handle (Item 12, Chapter 3, Section I)

**SUPPLIES:** Grease (Item 37, Appendix D)                      Gloves (Item 72, Appendix D)  
 Dry cleaning solvent (Item 55, Appendix D)              Goggles (Item 71, Appendix D)  
 Rags (Item 65, Appendix D)

**PRELIMINARY PROCEDURE:** Remove track support roller assembly (page 14-36).

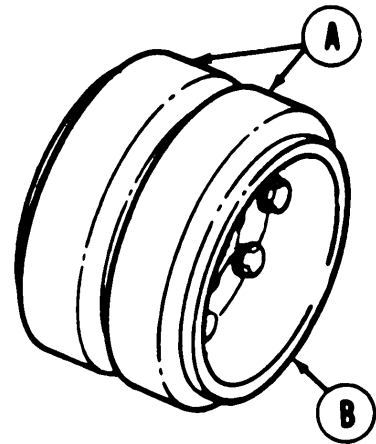
**DISASSEMBLY:**

**WARNING**

**Cleaning agent specified is flammable. Use only in well ventilated areas. Keep away from flames, sparks, or heat. Do not smoke while using. Prevent contact with eyes, mouth, and/or skin. Wear rubber gloves when performing cleaning procedures.**

**CAUTION**

**Do not use dry cleaning solvent on rubber strips (A).**



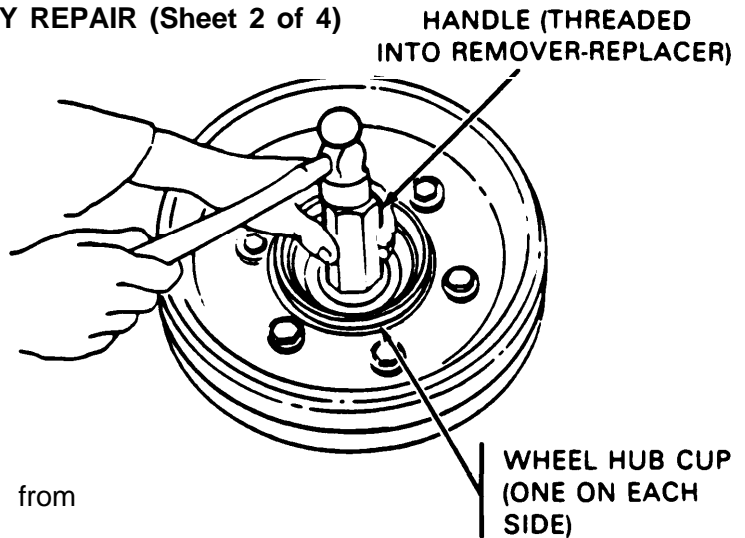
- Using dry cleaning solvent and rags, clean any grease or dirt on support roller assembly (B).

Go on to Sheet 2

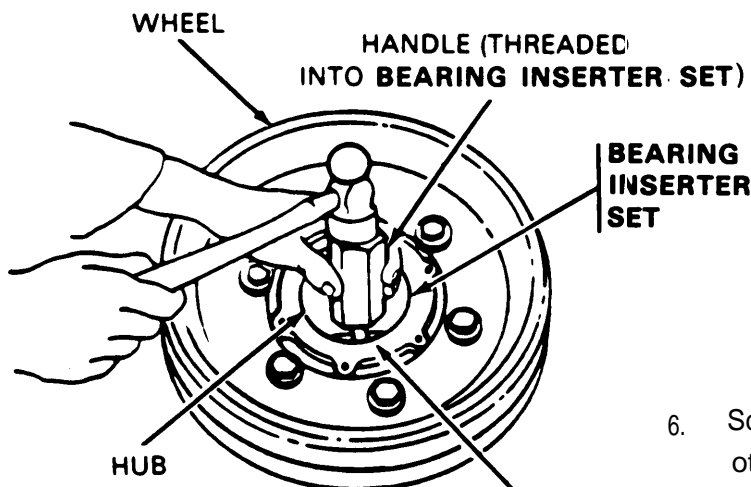
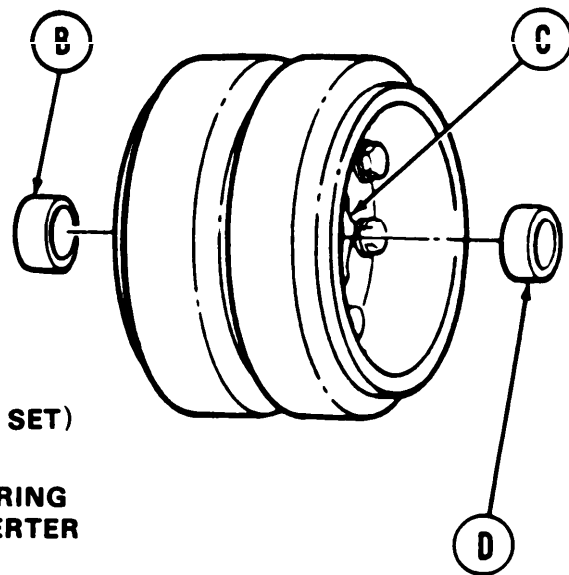
**TRACK SUPPORT ROLLER ASSEMBLY REPAIR (Sheet 2 of 4)**

**NOTE**

If special tools do not fit into hub, stop work and order a complete new support roller assembly, then install support roller on vehicle (page 14-48).



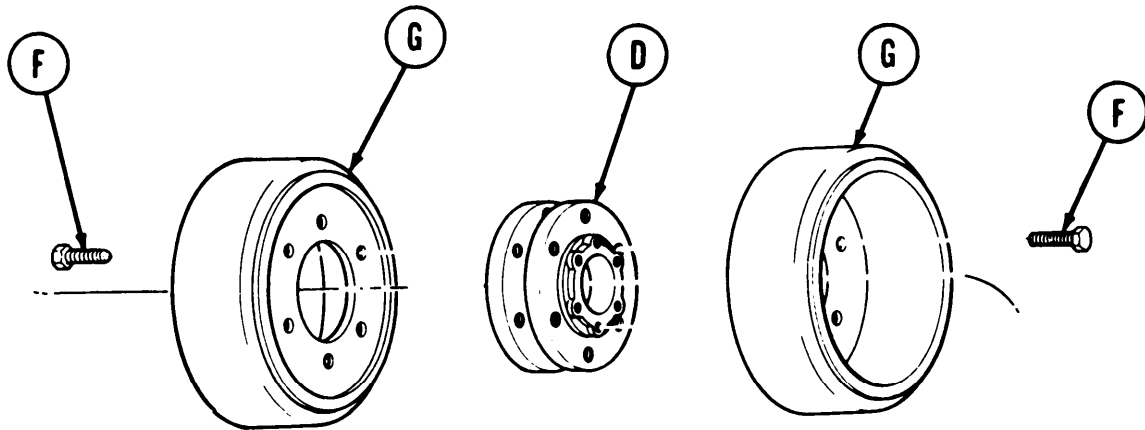
2. Position remover-replacer to inside of inner wheel hub cup (B).
3. Screw handle into remover-replacer from other side of hub (C).
4. Using hammer, tap handle to drive inner bearing cup (B) out of hub. Remove cup.
5. Position bearing inserter set to inner edge of outer bearing cup (C).



6. Screw handle into bearing inserter set on other side of hub (C).
7. Using hammer, tap handle to drive outer bearing cup (D) from hub (C). Remove cup.

Go on to Sheet 3

TRACK SUPPORT ROLLER ASSEMBLY REPAIR (Sheet 3 of 4)



8. Using socket with ratchet and 5 inch extension, remove six screws (F) securing wheel (G) on one side of hub (D).
9. Repeat Step 8 to wheel (G) on other side of hub (D).

Go on to Sheet 4

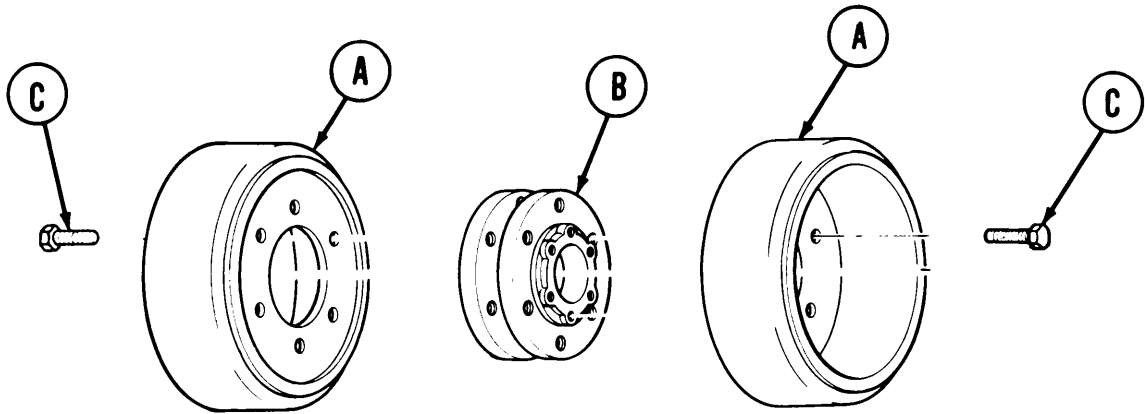
TA169312



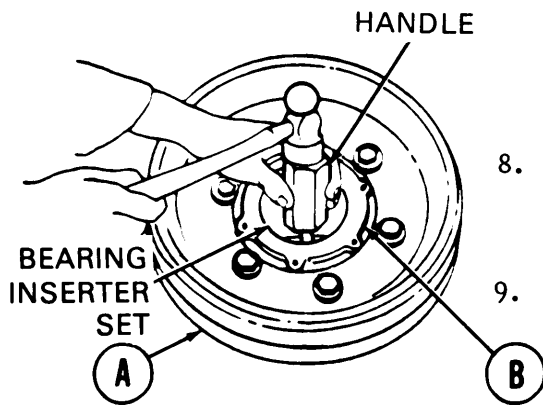
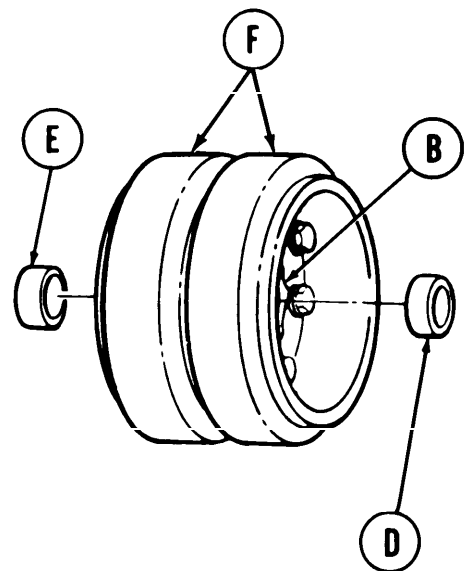
**TRACK SUPPORT ROLLER ASSEMBLY REPAIR (Sheet 4 of 4 )**

**ASSEMBLY:**

1. Place wheels (A) onto hub (B).
2. Using socket, 5 inch extension, and ratchet, install six screws (C) to each wheel (A).
3. Using torque wrench, tighten all 12 screws (C) to 1 10-130 lb-ft (149 - 176 Nžm).



4. Position outer wheel bearing cup (D) with its smallest end toward center of hub (B).
5. Install bearing inserter set over edge of cup (D).
6. Screw handle into bearing inserter set.
7. Tap handle to seat outer cup (D) in hub (B).



8. Repeat steps 4 thru 7 using hammer with handle and remover-replacer to seat inner cup (E) in hub (B).
9. Install support roller assembly (F) to vehicle (page 14-42).

End of Task

COMPENSATING IDLER WHEEL REPLACEMENT (Sheet 1 of 3)

PROCEDURE INDEX

PROCEDURE	PAGE
Removal	14-50
Cleaning and Inspection	14-52
Installation	14-52

TOOLS: 1-1/2 in. socket with 3/4 in. drive  
Ratchet with 3/4 in. drive  
16 in. extension with 3/4 in. drive  
Hinged handle with 3/4 in. drive  
Torque wrench with 3/4 in. drive (0-6001b-ft) (0-813 N•m)  
Wire brush

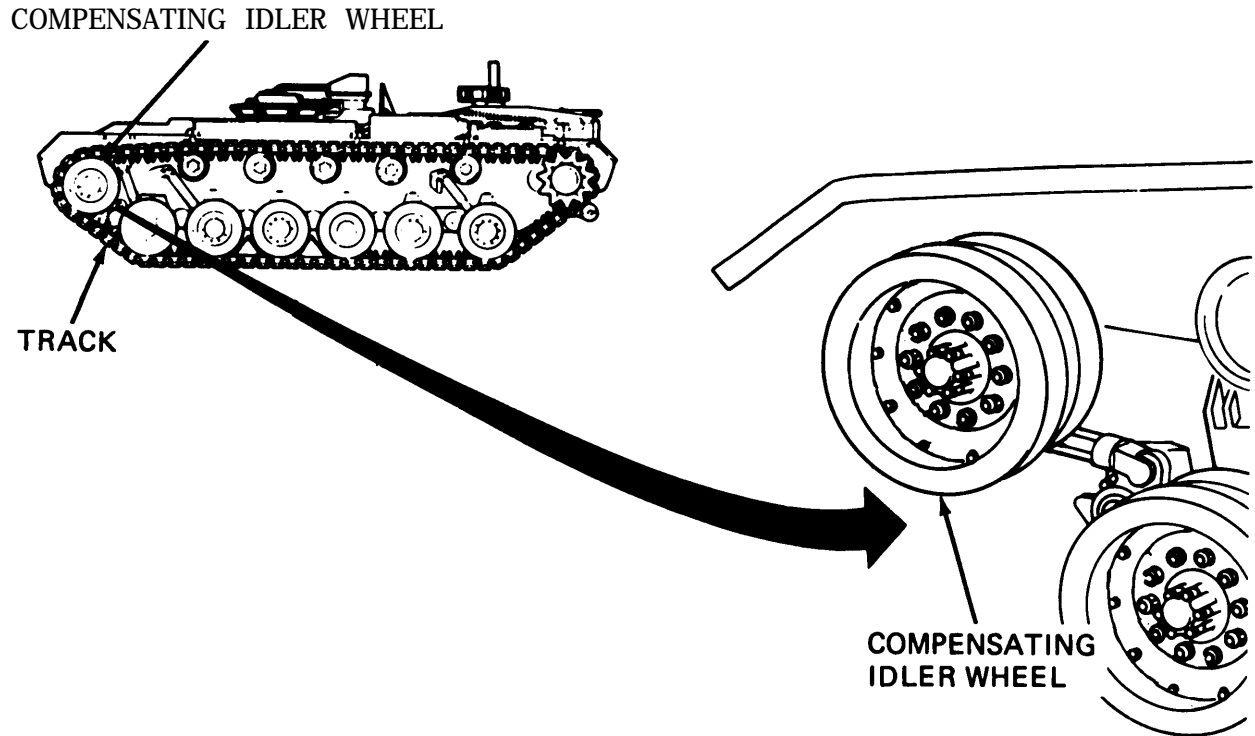
PERSONNEL: Two

SUPPLIES: Rags (Item 65, Appendix D)

REFERENCES: TM 5-5420-226-10.

PRELIMINARY PROCEDURE: Disconnect track (TM 5-5420-226-10).

COMPENSATING IDLER WHEEL REPLACEMENT (Sheet 2 of 3)



REMOVAL:

NOTE

**There's a compensating idler wheel at front top of each side of vehicle. Each compensating idler consists of two roadwheels. Thus, there are four roadwheels.**

Go on to Sheet 3

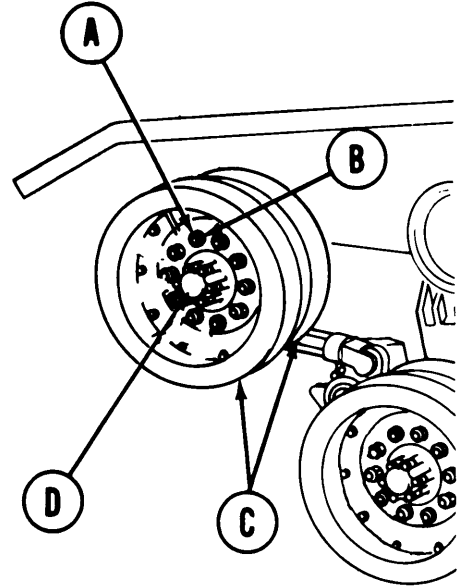
TA169315

COMPENSATING IDLER WHEEL REPLACEMENT (Sheet 3 of 3)

1. Using 1-1/2 inch socket with extension and hinged handle, remove 10 nuts (A) and flat washers (B) securing roadwheel (C) to wheel hub (D).
2. Using second technician for help, pull one roadwheel - then the other, off mounting studs.

CLEANING AND INSPECTION:

Inspect and clean mounting hub surface with wire brush and rag prior to mounting roadwheels.

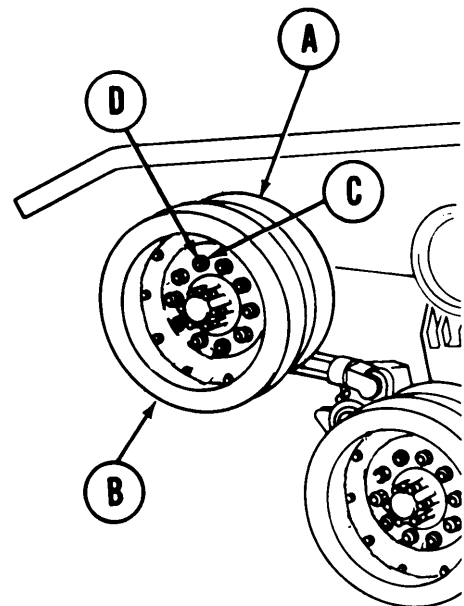


INSTALLATION:

NOTE

**Do not damage hub mounting studs when installing roadwheels.**

1. Position inside compensating idler wheel (A).
2. Position outside compensating idler wheel (B).
3. Install 10 flat washers (C) and nuts (D).
4. Using 1-1/2 inch socket wrench with extension and torque wrench, tighten nuts (D) to 400-500 lb-ft (542 -678 N•m).
5. Reconnect track (TM 5-5420-226-10).



End of Task

TA169316

**COMPENSATING IDLER HUB AND ARM REPLACEMENT (Sheet 1 of 3)**

**TOOLS:** 7/8 in. socket with 3/4 in. drive  
 Ratchet with 3/4 in. drive  
 Torque wrench with 3/4 in. drive (0-600 lb-ft) (0-813 N•m)  
 16 in. extension with 3/4 in. drive

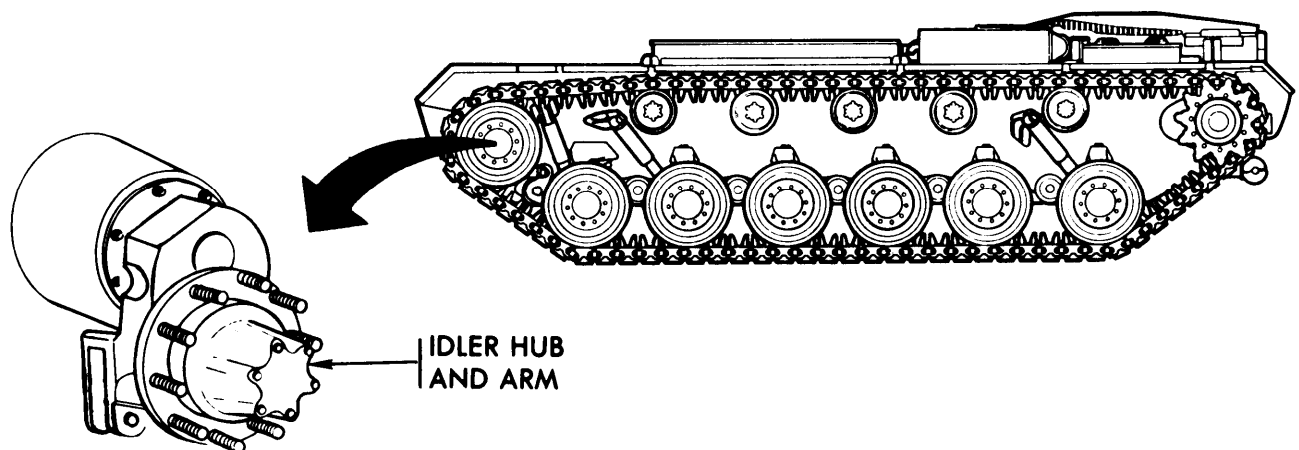
**SUPPLIES:** Preformed packing 546990  
 Two 2 in. (5/8-11 UNC) capscrews  
 Grease (Item 37, Appendix D)

**PERSONNEL:** Three

**REFERENCES:** TM 5-5420-226-10  
 LO 5-5420-226-12

**PRELIMINARY PROCEDURES:** Remove track adjusting link (page 14-75).

**REMOVAL:**



**NOTE**

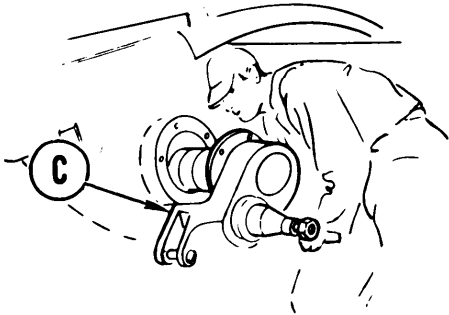
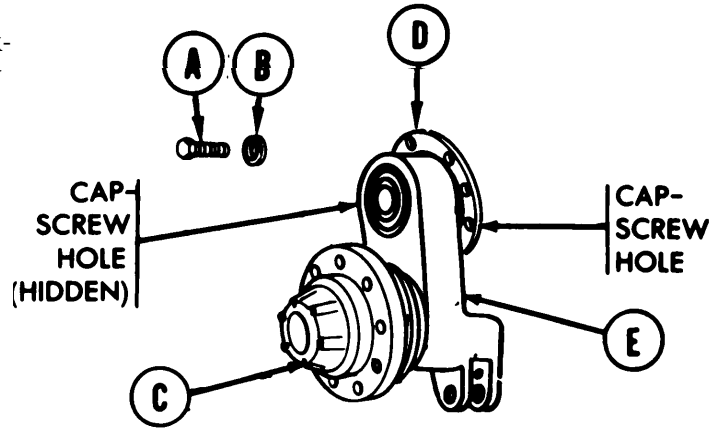
**When removing screws in next step, have second technician move the hub to align screws with removal slots.**

Go on to Sheet 2

TA169317

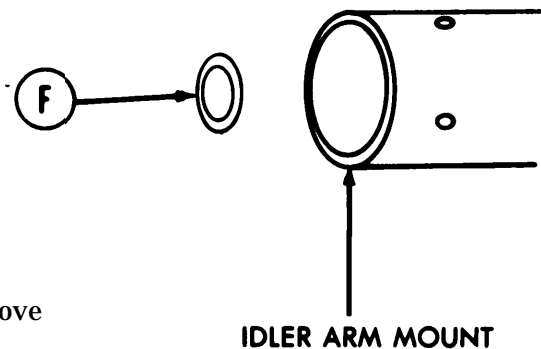
COMPENSATING IDLER HUB AND ARM REPLACEMENT (Sheet 2 of 3)

1. Using socket, remove six screws (A) and lock-washers (B) securing hub and arm assembly (C) to hull.
2. Install two capscrews into holes in oil seal retainer (D) of idler arm (E).



3. Using two other technicians, support hub and arm assembly (C).
4. Screw two capscrews alternately into retainer (D).

5. Using two technicians, remove hub and assembly (C).
6. Remove preformed packing (F) from groove in idler arm mount. Throw packing (F) away.
7. Remove capscrews from retainer (D).



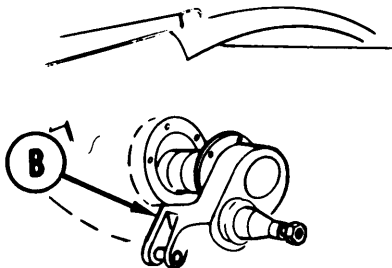
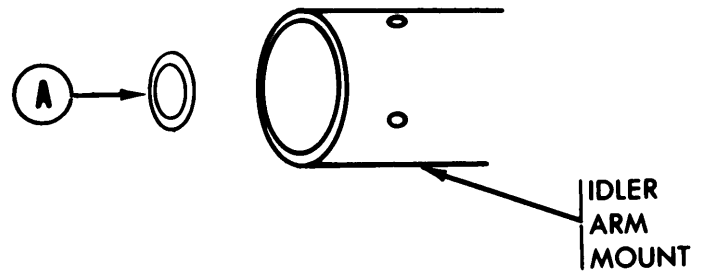
Go on to Sheet 3

TA169318

**COMPENSATING IDLER HUB AND ARM REPLACEMENT (Sheet 3 of 3)**

**INSTALLATION:**

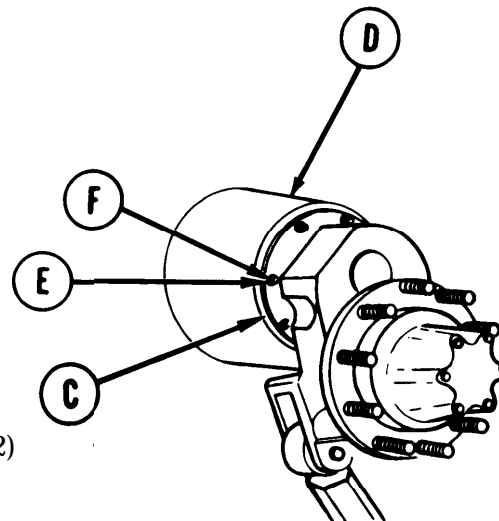
1. Grease new packing (A). Install it to groove in idler arm mount.



2. Using three technicians, lift hub and arm assembly (B) to mounting position.
3. Push arm of assembly (B) into mount opening.
4. Aline holes in grease seal retainer (C) with mounting holes on hub (D).

5. Install all six lockwashers (E) and screws (F).

6. Using socket, and extension with torque wrench, tighten screws (F) to 140-165 lb-ft (190-224 N m).



7. Grease idler arm mount housing (LO 5-5420-226-12)
8. Install adjusting link (page 14-78).
9. Install compensating idler wheels (page 14-52).
10. Test drive vehicle a short way (TM 5-5420-226-10).

End of Task

TA169319

**TRACK DRIVE SPROCKET REPAIR AND REPLACEMENT (Sheet 1 of 9)**

PROCEDURE INDEX

PROCEDURE	PAGE
Removal	14-56
Disassembly	14-59
Inspection	14-61
Assembly	14-61
Installation	14-63

- **TOOLS:** 1-1/2 in. socket with 3/4 in drive  
 Impact wrench with 3/4 in. drive  
 16 in. extension with 3/4 in. drive  
 15/16 in. socket with 3/4 in. drive (2 required)  
 Ratchet with 3/4 in. drive  
 Sledge hammer  
 Pinchbar  
 Torque wrench with 3/4 in. drive (0-600 lb-ft) ((0814 N•m)  
 3/8 in. drift

- **SPECIAL TOOLS:** Wire rope assembly (Item 24, Chapter 3, Section I)  
 Final drive dowel remover (Item 14, Chapter 3, Section I)

- **SUPPLIES:** Chalk (Item 11, Appendix D)  
 Lubricant (Item 41, Appendix D)  
 Wood block  
 5/8-18 UNF bolt (3 in. long) (3 required)  
 Nut and bushing assemblies (ten required)

**PERSONNEL:** Three

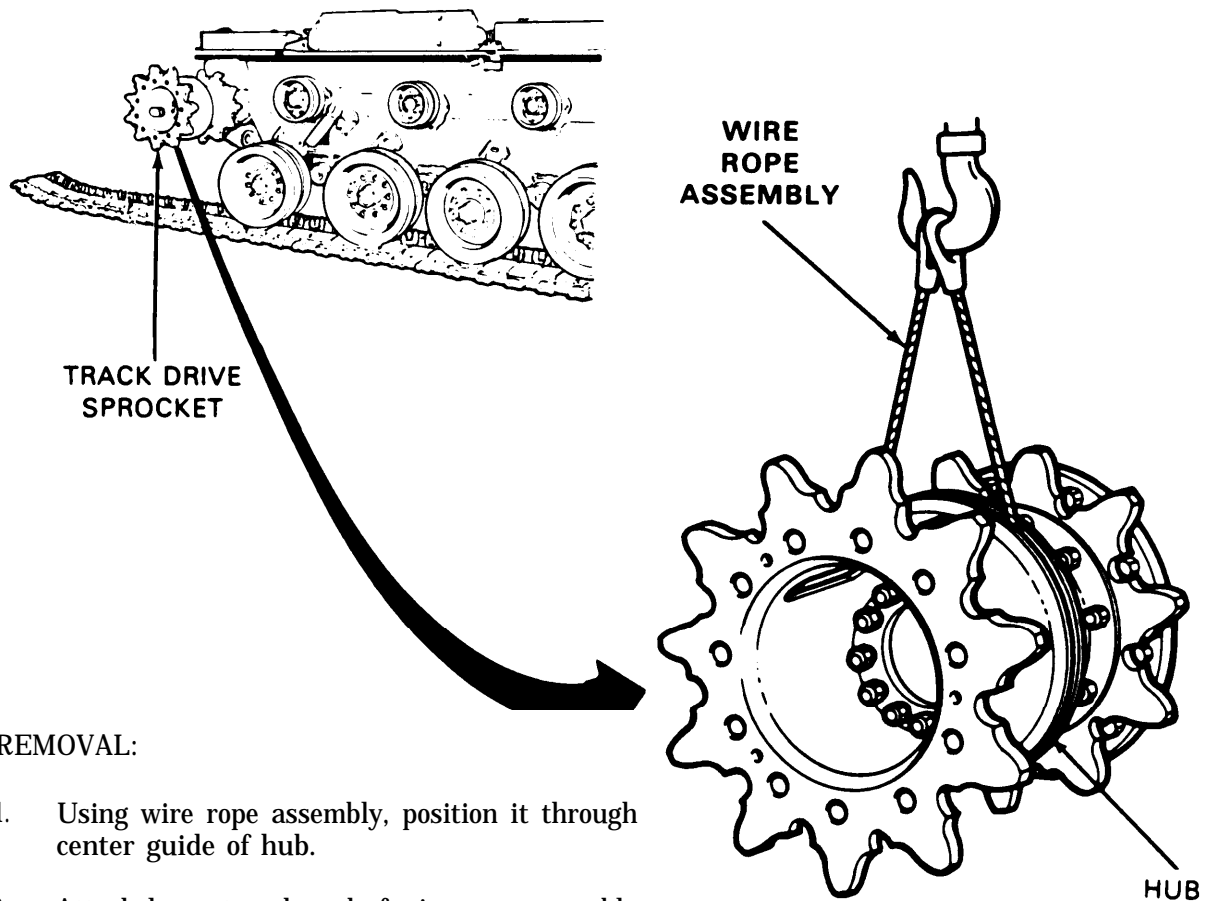
**REFERENCE:** TM 5-5420-226-10

**PRELIMINARY PROCEDURE:** Remove track from drive sprocket (page 14-65)

Go on to Sheet 2



## TRACK DRIVE SPROCKET REPAIR AND REPLACEMENT (Sheet 2 of 9)

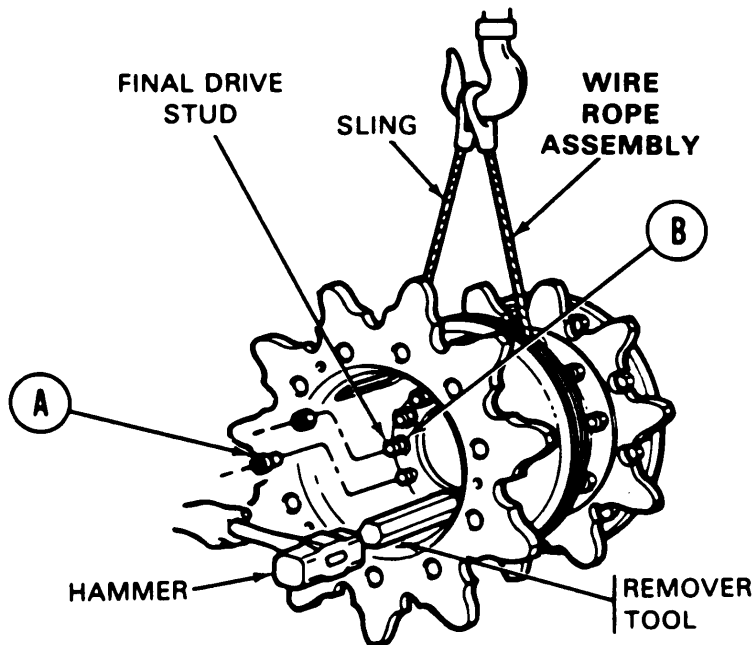


## REMOVAL:

1. Using wire rope assembly, position it through center guide of hub.
2. Attach loop at each end of wire rope assembly to hoist capable of lifting 600 pounds.
3. Use three persons, two on ground and one operating hoist.
4. Direct person operating hoist to take up slack of wire rope assembly.
5. Check wire rope assembly for tightness around sprocket. Make sure wire rope assembly is tight and secure.

Go on to Sheet 3

TRACK DRIVE SPROCKET REPAIR AND REPLACEMENT (Sheet 3 of 9)



NOTE

**These vehicles may use either one piece nut and bushing assemblies or two piece nuts and bushings to secure sprocket and hub assembly to final drive. If one piece, do steps 7, and 10. If two piece, do all steps.**

6. Using 1-1/2 inch socket with extension and handle, remove 10 nuts (A) securing sprocket and hub assembly to final drive hub. Discard nuts.
7. Thread remover tool tightly onto stud. Using sledge hammer, strike remover tool to loosen tapered bushing (B) from final drive studs.
8. Remove tool. Remove bushing.
9. Do steps 7 and 8 to remove other nine hub tapered bushings (B). Replace bushings if needed.

NOTE

**If sprocket has been on hub for long period of time, it may be necessary to strike it repeatedly with 20 pound sledge hammer until it becomes unsealed from hub.**

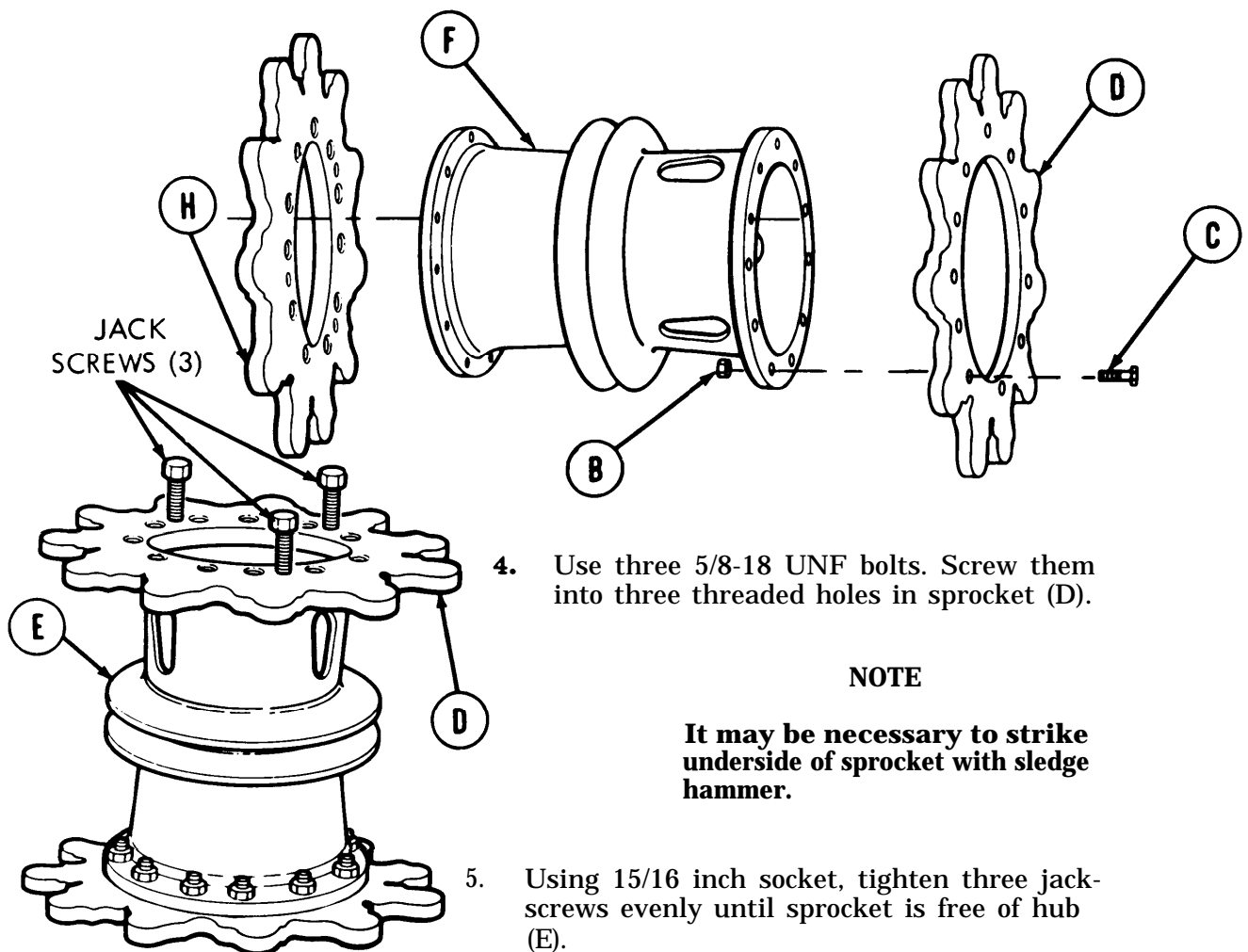
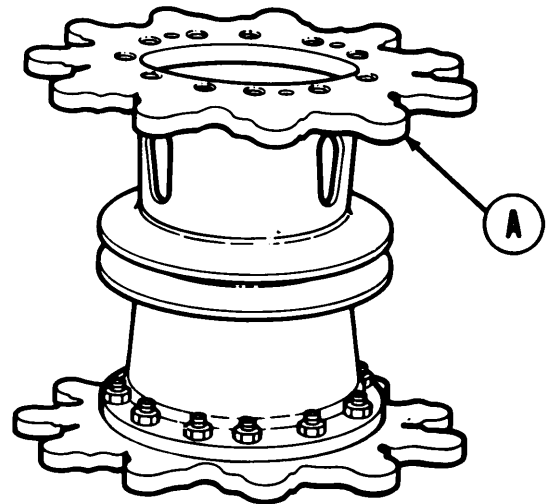
10. Using second person to assist, pull sprocket and hub assembly free of mounting place on vehicle.
11. Using hoist and wire rope assembly, move sprocket and hub assembly away from vehicle.

Go on to Sheet 4

**TRACK DRIVE SPROCKET REPAIR AND REPLACEMENT (Sheet 4 of 9)**

**DISASSEMBLY:**

1. With help of other two technicians, sit sprocket and hub assembly on end so that sprocket (A) faces up.
2. Using 15/16 inch socket, remove 11 nuts (B).
3. Using 15/16 inch socket, remove 11 bolts (C).



4. Use three 5/8-18 UNF bolts. Screw them into three threaded holes in sprocket (D).

**NOTE**

**It may be necessary to strike underside of sprocket with sledge hammer.**

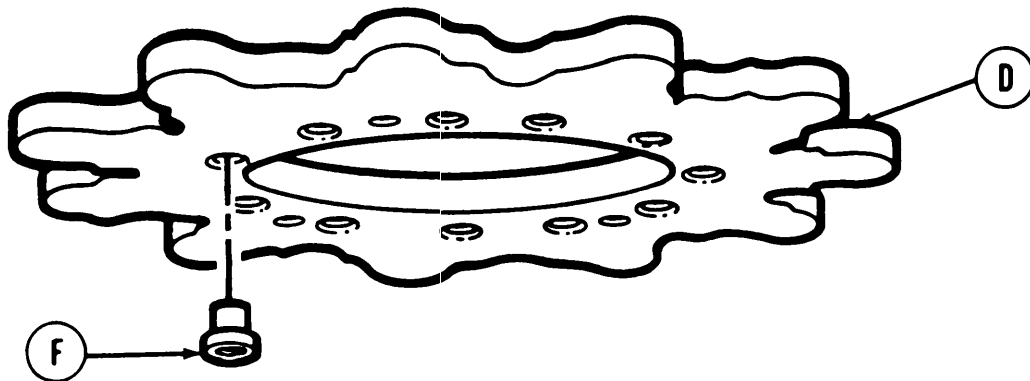
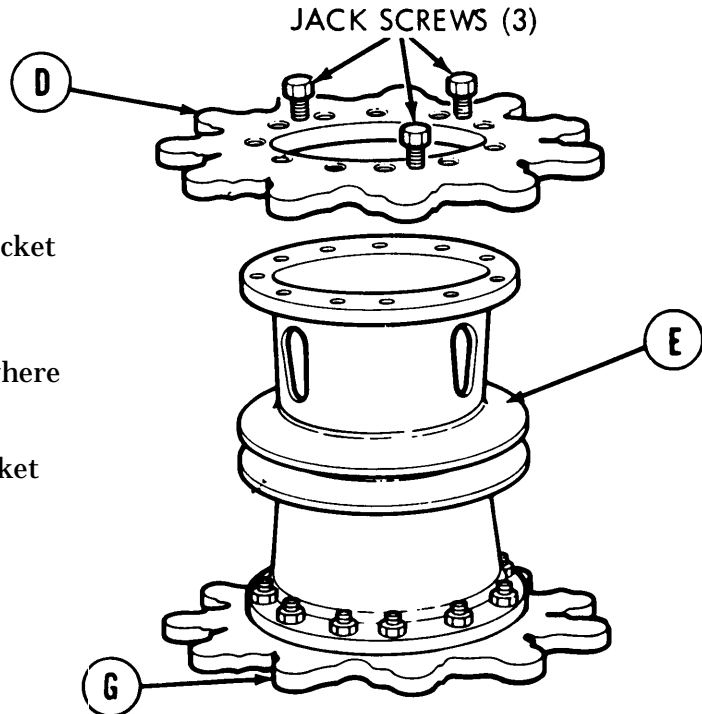
5. Using 15/16 inch socket, tighten three jack-screws evenly until sprocket is free of hub (E).

Go on to Sheet 5

TA169323

TRACK DRIVE SPROCKET REPAIR AND REPLACEMENT (Sheet 5 of 9)

6. Using two other technicians, lift sprocket (D) off hub (E).
7. Using chalk, mark sprocket (D) either "INNER" or "OUTER" depending on where it was mounted to hub (E).
8. Remove three jackscrews from sprocket (D).



9. Replace bushings (F) if needed. Using hammer and punch, drive 11 tapered bushings (F) out of sprocket (D).
10. With help from one other technician, use pinchbar to set hub (E) so other sprocket (G) faces up.
11. Repeat steps 14 thru 21 to remove other sprocket (G).

INSPECTION:

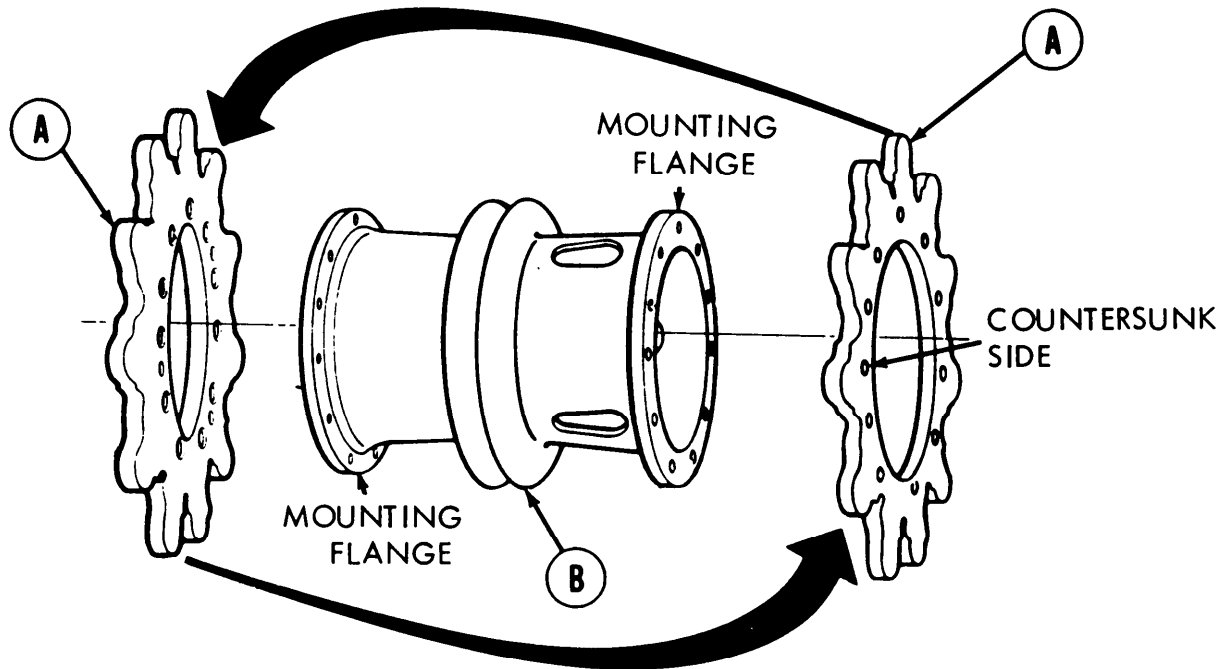
1. Inspect sprockets for wear by checking wear marks or by using wear gage.
2. Inspect all parts for damage. Replace any damaged or worn parts.

Go on to Sheet 6

TA169324

**TRACK DRIVE SPROCKET REPAIR AND REPLACEMENT (Sheet 6 of 9)****ASSEMBLY:**

1. If two sprockets (A) are not replaced, reverse them when reassembling.

**NOTE**

**Sprocket marked "OUTER" becomes inner one. Sprocket marked "INNER" becomes outer one.**

2. Mounting flange of hub (B) should be facing up.
3. Mount sprocket (A) into position to hub (B) with countersunk side of hole facing up.

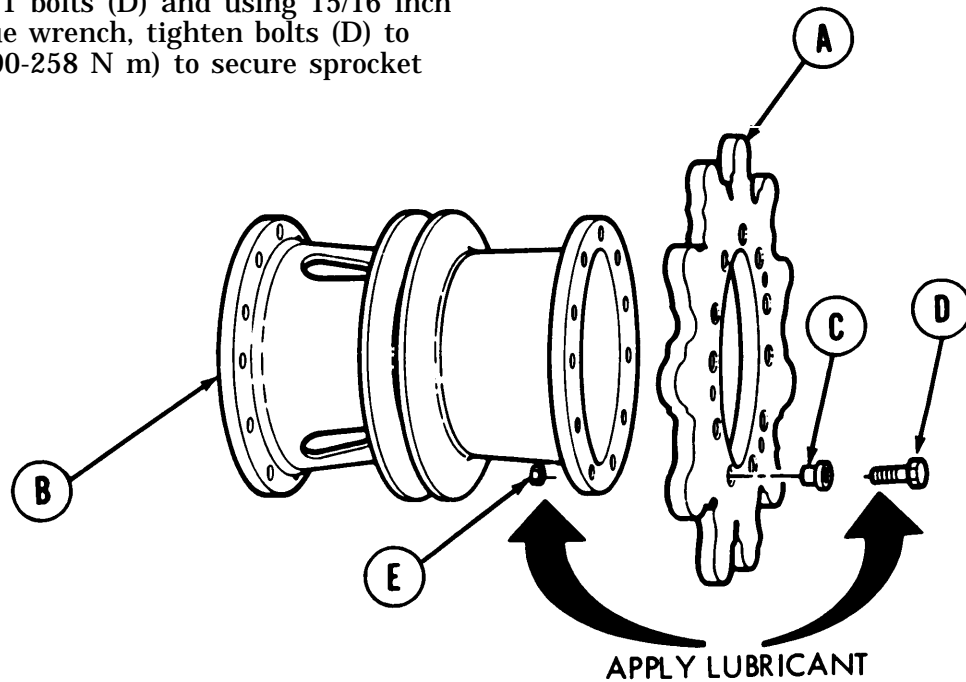
Go on to Sheet 7

TA169325

**TRACK DRIVE SPROCKET REPAIR AND REPLACEMENT (Sheet 7 of 9)**

Using hammer and block, tap at all tapered bushings (C) into place in sprocket (A).

5. Apply light coat of lubricant to threads of 11 bolts (D) and new nuts (E) before installing them.
6. Manually install 11 bolts (D) and using 15/16 inch socket and torque wrench, tighten bolts (D) to 140-190 lb-ft (190-258 N m) to secure sprocket (A) to hub (B).



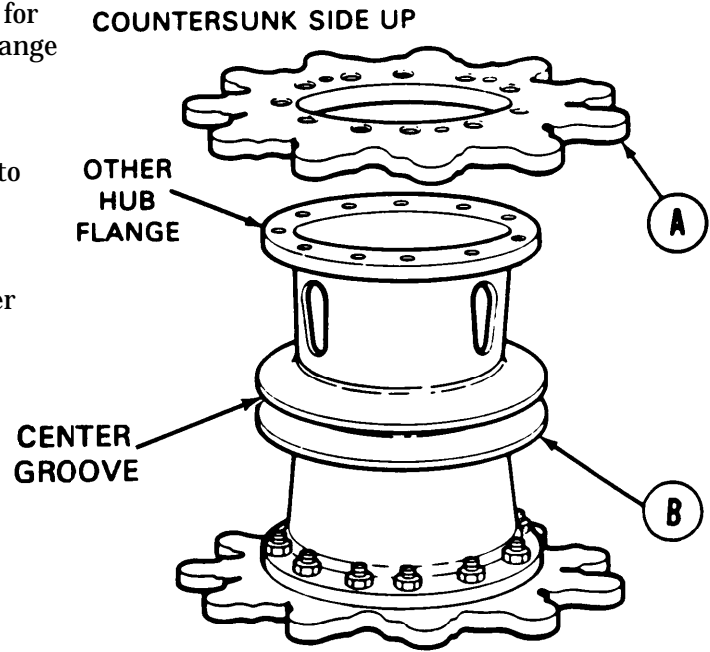
7. Install 11 nuts (E) onto bolts (D).
8. Using 15/16 inch socket and torque wrench, tighten nuts (E) to 115-165 lb-ft (156-224 N m).

Go on to Sheet 8

TA169326

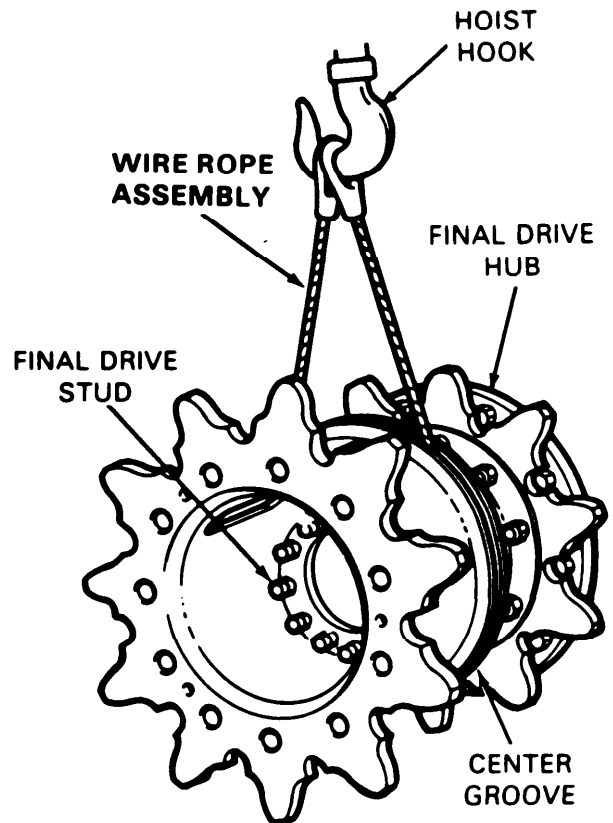
**TRACK DRIVE SPROCKET REPAIR AND REPLACEMENT (Sheet 8 of 9)**

9. Using pinch bar and two other persons for assistance, stand hub on end so other flange faces up.
10. Three persons lift other sprocket (A) onto hub flange (B).
11. Repeat steps 4 through 9 to install other sprocket (A) to hub.



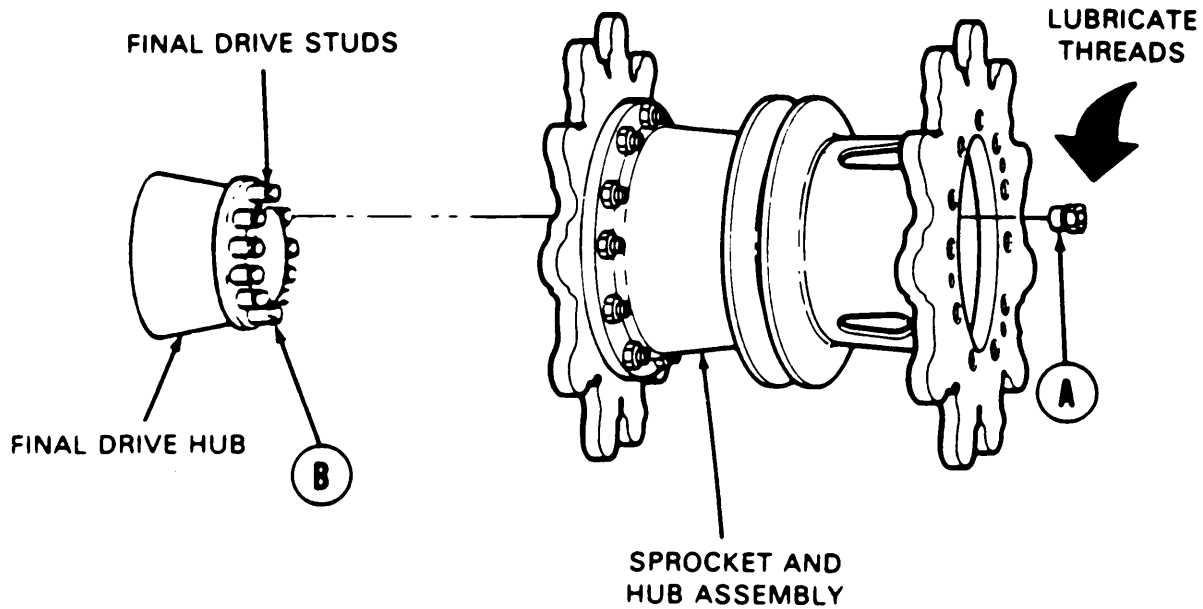
**INSTALLATION:**

1. Position wire rope assembly through center groove of hub.
2. Place loops at both ends of wire rope assembly over hook of hoist.
3. Using second person to guide sprocket and hub assembly, carefully lift it into mounting position.



Go on to Sheet 9

TRACK DRIVE SPROCKET REPAIR AND REPLACEMENT (Sheet 9 of 9)



4. Mount sprocket and hub assembly onto final drive studs (B).
5. Apply lubricant to nut and bushing assemblies (A).
6. Screw 10 new nuts and bushing assemblies (A) onto studs (B).
7. Using 1-1/2 inch socket with extension and impact wrench, tighten nuts alternately (in crisscross pattern).
8. Using torque wrench and extension, wet torque nuts in a two step procedure:
  - a. Step 1. 100-150 lb-ft(136-203 N•m).
  - b. Step 2. 450-460 lb-ft(610-624 N•m).
9. install track on rear sprocket.

End of Task



**TRACK ASSEMBLY REPLACEMENT (Sheet 1 of 10)**

PROCEDURE INDEX

PROCEDURE	PAGE
Removal	14-65
Instillation	14-68

**TOOLS:** Sledge hammer

- 15/ 16 in. socket with 3/4 in. drive
- Hinged handle ((breaker' bar) with 3/4 in. drive
- Ratchet with 3/4 in. drive
- 2 lb hammer
- Crowbar, pinch point
- 1-5/16 in. socket with 3/4 in. drive
- 1-1/2 in. socket with 3/4 in. drive
- Torque wrench with 3/4 in. drive (0-600 lb-ft) (0814 N•m)
- 10 in. extension with 3/4 in. drive

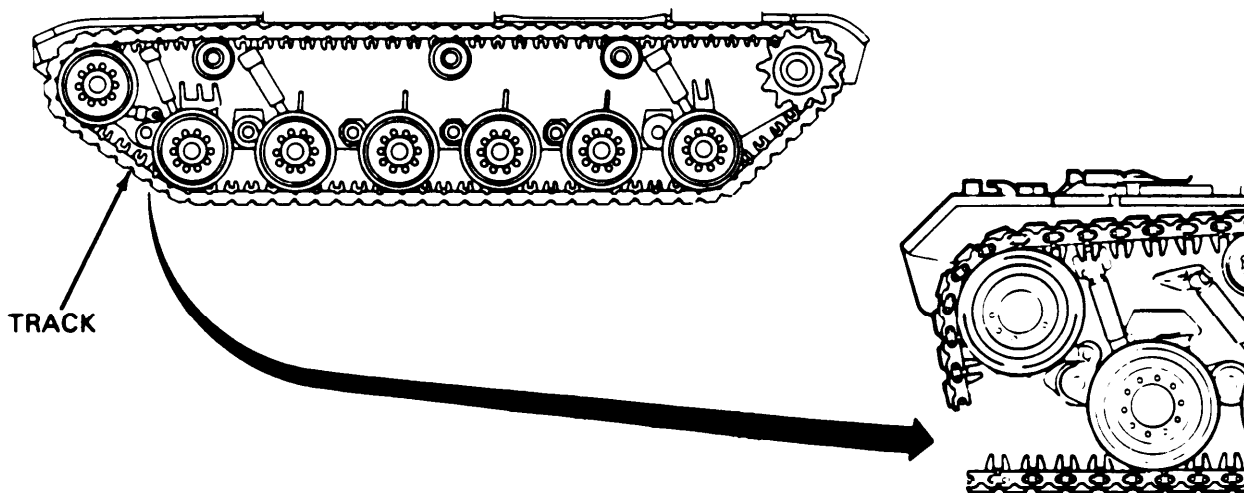
- SPECIAL TOOLS:** Track end connector puller and pump (Item 10, Chapter 3, Section I)  
 Track torquing tool kit (Item 13, Chapter 3, Section I)  
 Track connecting fixture (Item 18, Chapter 3, Section I)

**SUPPLIES** Rope (Item 78, Appendix D) (50 ft.)

**PERSONNEL:** Three

**REFERENCES:** TM 5-5420-226-10

**PRELIMINARY PROCEDURE:** Loosen track tension (TM 5-5420-226-10).  
 Remove rear fender and shield (if required) (page 16-57)



Go on to Sheet 2

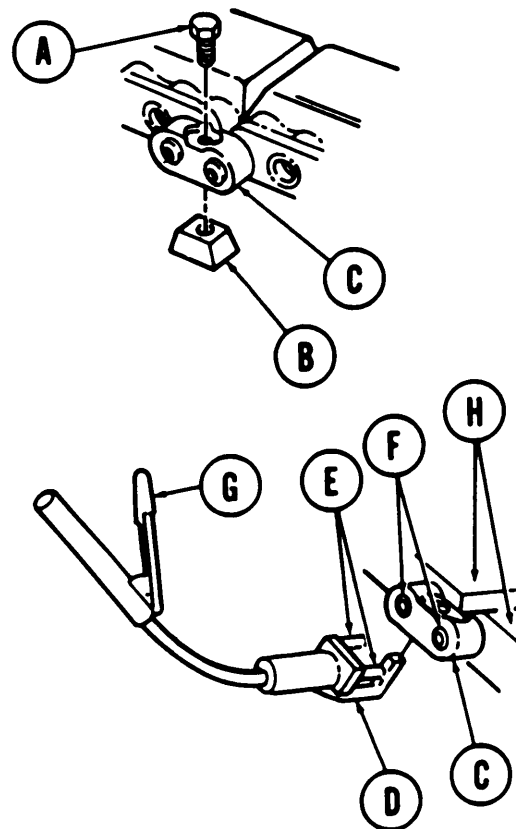
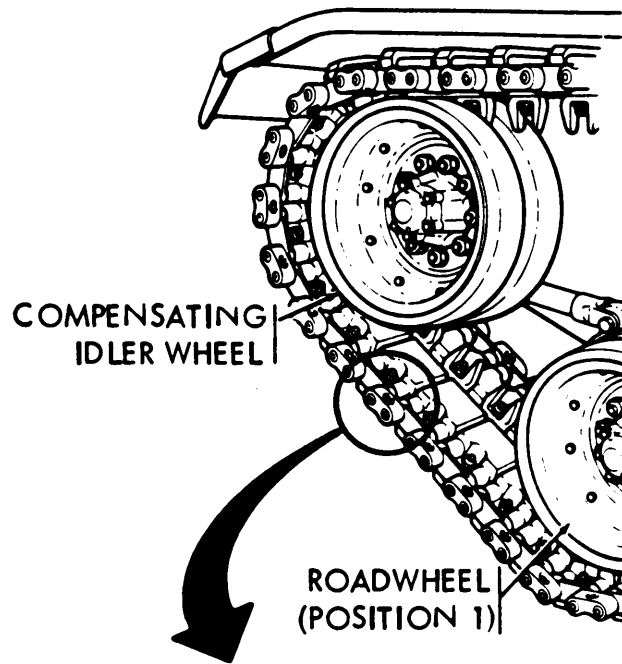
TRACK ASSEMBLY REPLACEMENT (Sheet 2 of 10)

NOTE

Disconnect track up front between compensating idler wheel and roadwheel at position No. 1 (on either side).

REMOVAL:

1. Using 15/16 inch socket with ratchet, loosen bolt (A) securing wedge (B) to end connector (C).
2. Using hammer, tap wedge (B) to loosen it.
3. Remove bolt (A) and wedge (B). Discard bolt (A) and wedge (B).
4. Repeat steps 1 thru 3 to remove bolt and wedge at opposite side of track.
5. Put hook (D) of track end connector puller and pump behind end connector (C).
6. Aline studs (E) of puller with shoe pins (F).
7. Pump handle (G) until gap between end connector (C) and track shoes (H) is about 1 inch.



Go on to Sheet 3

**TRACK ASSEMBLY REPLACEMENT (Sheet 3 of 10)**

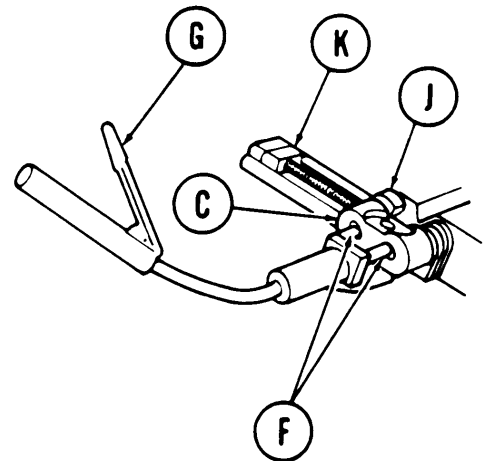
8. Hook and tighten jaws (J) of track connecting fixture (K) around track shoe pins (F).

9. Pump handle (G) until end connector (C) comes off.

10. Repeat steps 5 thru 9 at opposite side of track.

11. Deleted

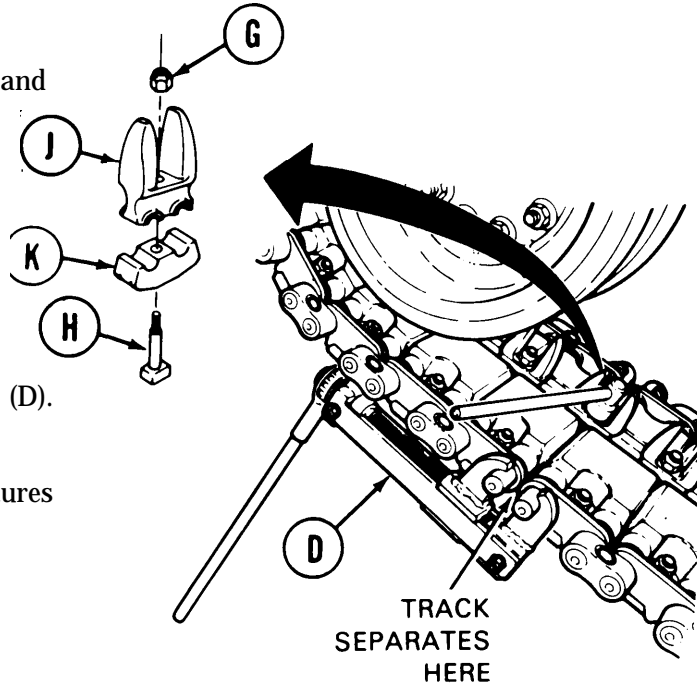
12. Deleted



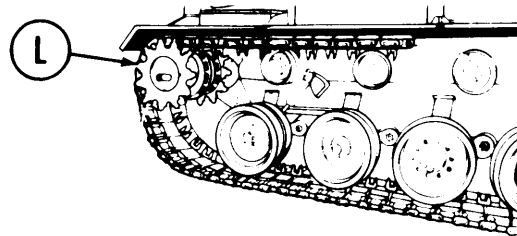
Go on to Sheet 4

TRACK ASSEMBLY REPLACEMENT (Sheet 4 of 10)

13. Using 1-5/16 inch socket with hinge handle and extension, loosen nut (G) securing centerguide bolt (H).
14. Using sledge hammer, strike centerguide (J) to loosen it.
15. Remove nut (G), centerguide (J), cap (K), and bolt (H).
16. Using tool handle, loosen both track fixtures (D).
17. Using crowbar to support track, remove fixtures (D). Let track fall free to separate.

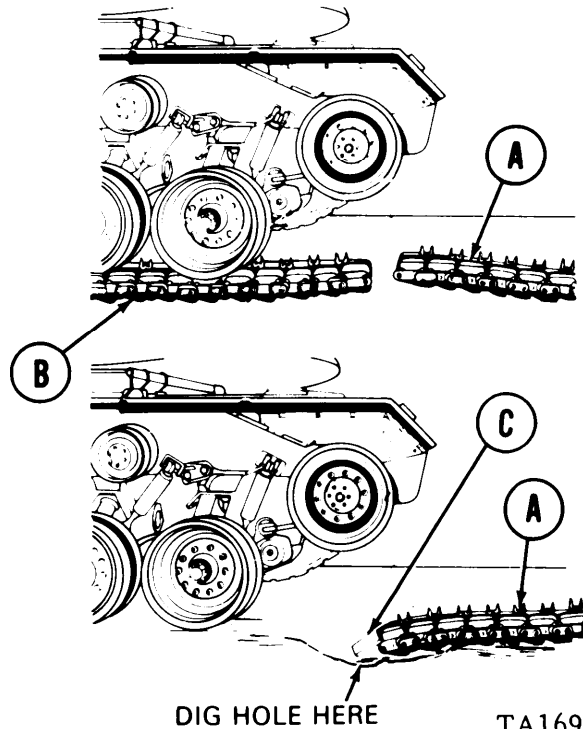


18. Start engine and put transmission in R (reverse) (TM 5-5420-226-10).
19. Move steering control handle away from track being removed. Use brake to control slow speed until track is off sprocket (L).



INSTALLATION:

1. If track is to be replaced and roadwheels are still on track, position new track (A) to mate with old track (B) as shown.
2. If roadwheels are on ground (old track (B) removed), use plank (C) as shown.



**NOTE**

**If plank (C) or similar object is not available, dig a hole under first few links of new track.**

3. Make sure new track (A) is in line with roadwheels.
4. Start engine (TM 5-5420-226-10).

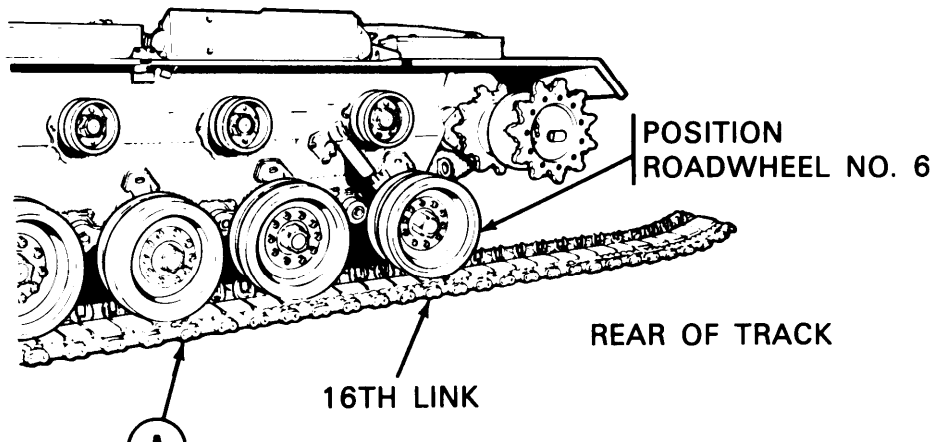
Go on to Sheet 5

DIG HOLE HERE

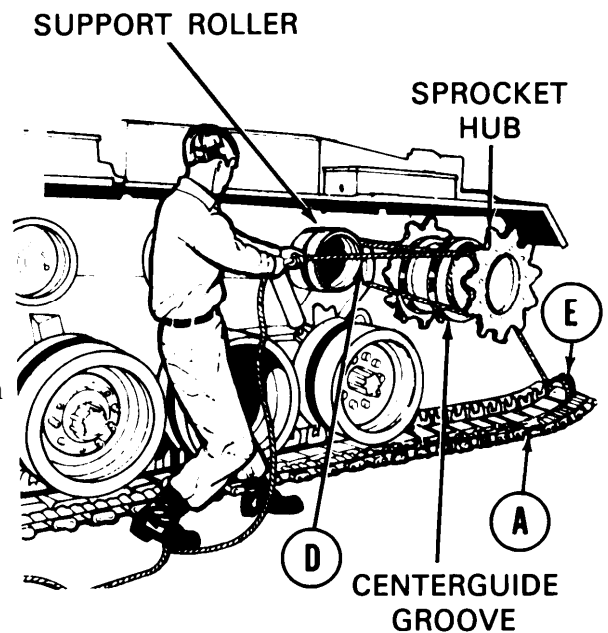
TA169331

**TRACK ASSEMBLY REPLACEMENT (Sheet 5 of 10)**

5. Drive vehicle onto new track (A). Keep moving vehicle until roadwheel no. 6 position is on 16th link from rear of track (A).



6. Stop vehicle. Shut off engine (TM 5-5420-226-10).
7. Apply parking brake (TM 5-5420-226-10).
8. Tie rope (D) to center of link pin (E) at rear of new track (A).
9. Place rope (D) over centerguide groove of sprocket hub.
10. String rope (D) through center groove between rear support roller.
11. Bring rope (D) back from support roller to sprocket hub once again and wrap rope under and around sprocket (two turns).

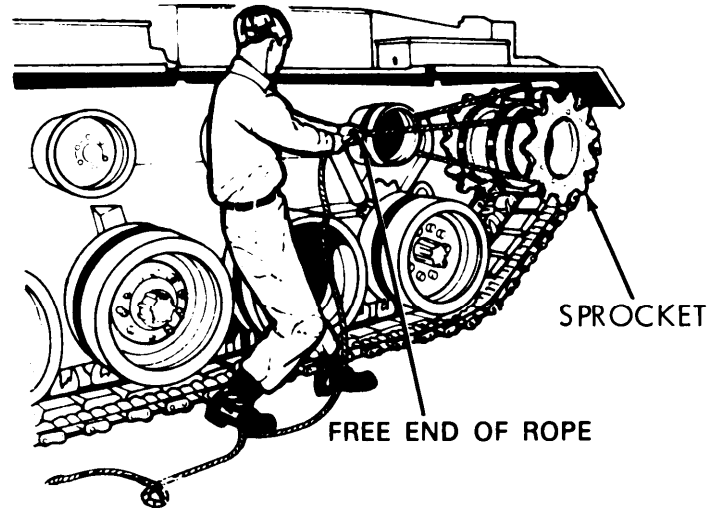


Go on to Sheet 6

TA169332

TRACK ASSEMBLY REPLACEMENT (Sheet 6 of 10)

12. Have one person pull on free end of rope.

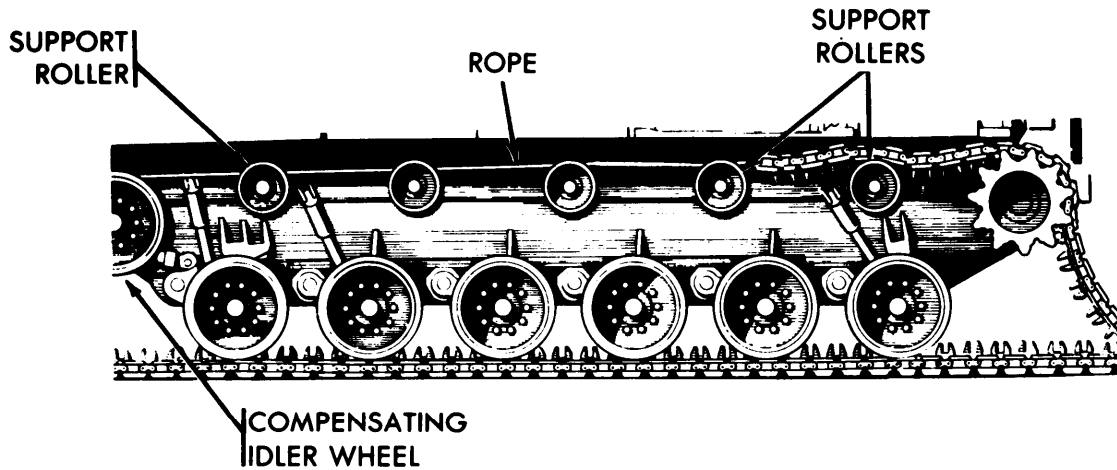


13. Have another person start engine (TM 5-5420-226-20-3).
14. Run engine at idle speed Release parking brake (TM 5-5420-226-10).
15. Place transmission shift lever in N (neutral).
16. Position steering control to LEFT PIVOT STEER if track is being installed to right side.
17. Position steering control to RIGHT PIVOT STEER if track is being installed to left side.
18. While one person pulls on free end of rope, driver in vehicle slowly speeds up engine to rotate sprocket.
19. When sprocket teeth have picked up three track lines, driver applies parking brakes.
20. Place transmission shift lever in P (park) and stop engine (TM 5-5420-226-10).

Go on to Sheet 7

## TRACK ASSEMBLY REPLACEMENT (Sheet 7 of 10)

21. Remove rope from around sprocket and rear support roller.



22. With rope still attached to rear of track, pull rope forward over all support rollers and compensating idler wheel.

## NOTE

**Make sure rope goes in groove between rollers and compensating idler wheel.**

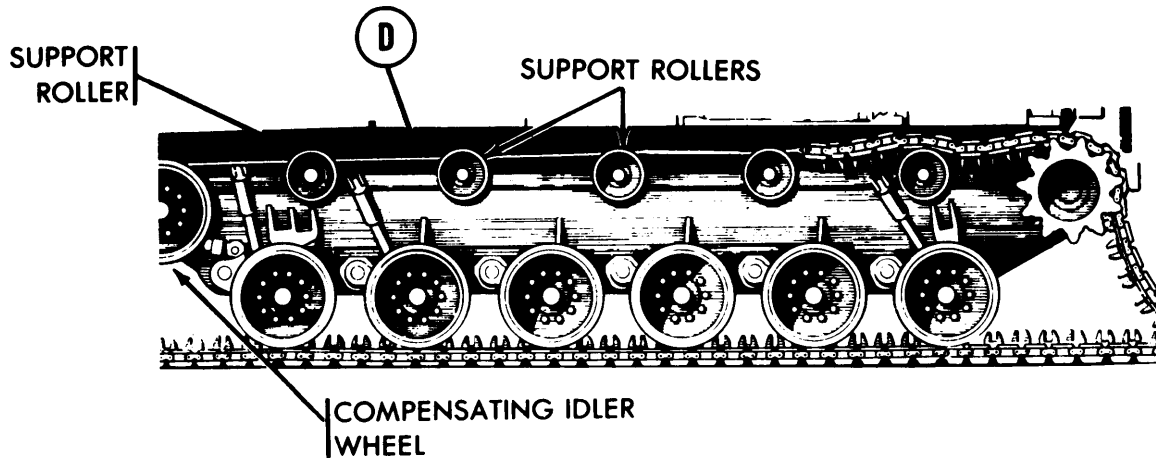
23. Have technician start engine and run engine at idle.
24. Release parking brake (TM 5-5420-226-10).
25. Shift transmission lever in L (low).
26. Have technician pulling on rope walk in front of and to one side of vehicle as it moves slowly.

Go on to Sheet 8

TA169334

TRACK ASSEMBLY REPLACEMENT (Sheet 8 of 10)

27. Speed engine just enough so technician pulling on rope (D) can steer track up over all support rollers and compensating idler wheel.

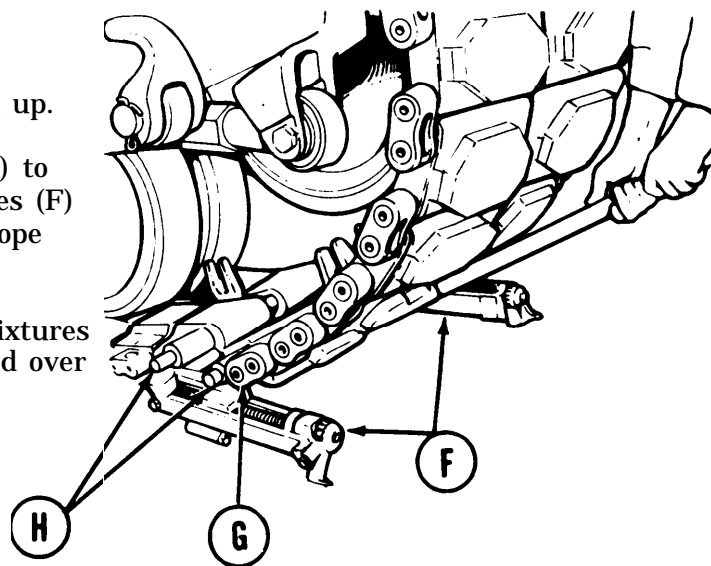


28. When track is over compensating idler wheel, is tight around sprocket, and is ready to be connected, shut down engine. Apply parking brakes (TM 5-5420-226-10).
29. Shorten track adjusting link as much as possible (TM 5-5420-226-10).

30. Using crowbar lift lower end of track up.

31. Connect track connecting fixtures (F) to both ends of track. Make sure fixtures (F) are around track pins (H). Remove rope (D).

32. Using tool handles, tighten up both fixtures until end connector (G) can be started over track end pins (H).

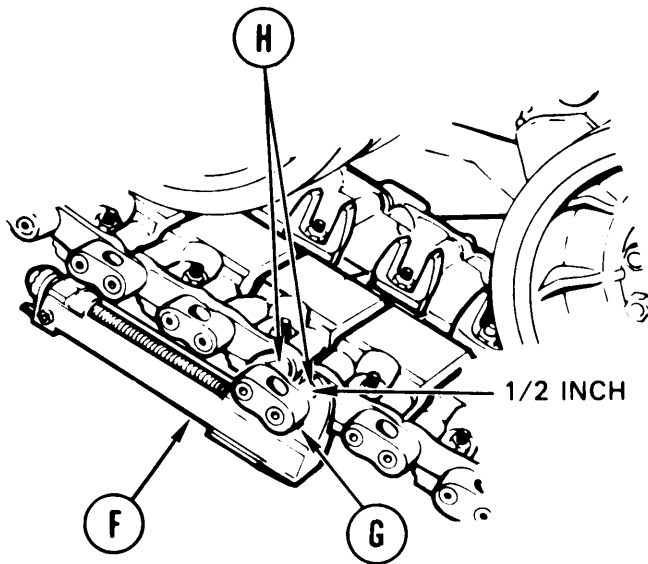


TA169335

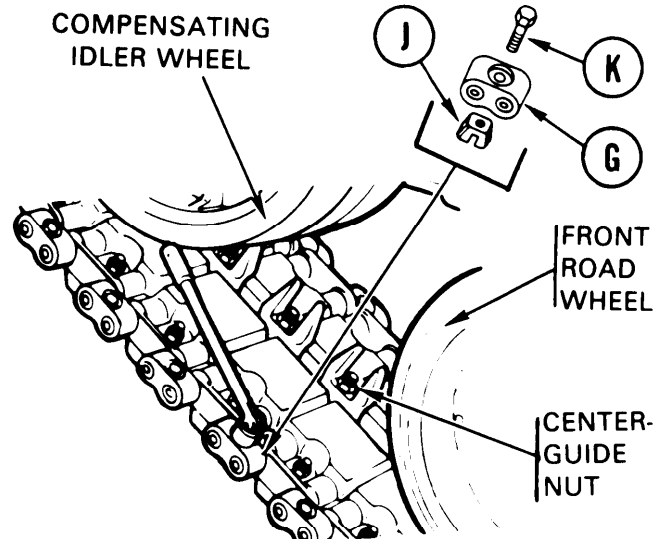


**TRACK ASSEMBLY REPLACEMENT (Sheet 9 of 10)**

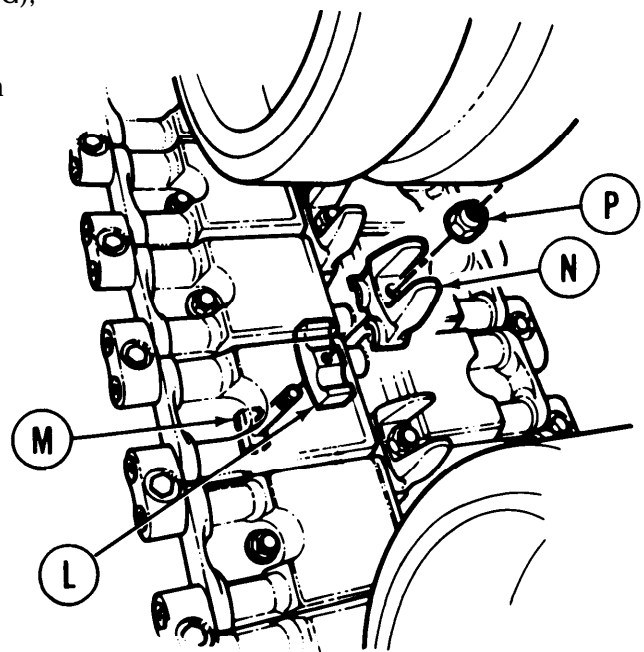
33. Using hammer, drive two end connectors (G) onto two pins (H) held together by fixture (F) clamps.
34. Leave 1/2 inch space between end connectors (G) and fixtures (F).



35. Remove track connecting fixtures (F).
36. Using hammer, drive both end connectors (G) all the way onto link pins (H).



37. Place wedge (J) to underside of end connector (G),
38. Using 15/16 inch socket, install bolt (K) through wedge (J). Tighten bolt snug.
39. Install cap (L), bolt (M), centerguide (N), and nut (P).
40. Using 1-5/16 inch socket and extension, tighten nut (P) to secure centerguide (N) in place.
41. Using 1-5/16 inch socket and torque wrench, torque nut (P) to 15-20 lb-ft (20-27 N•m).



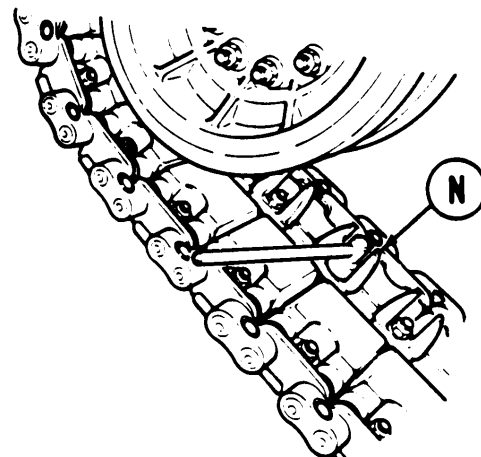
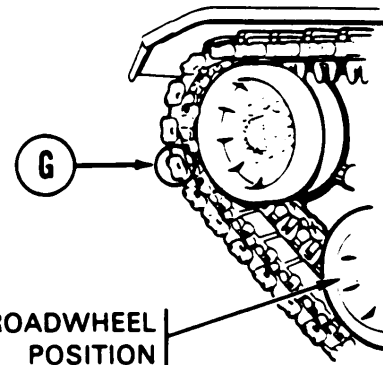
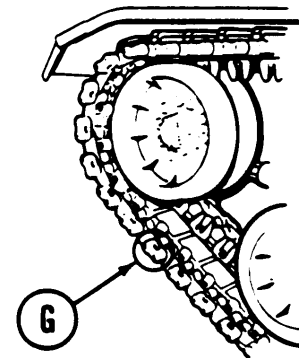
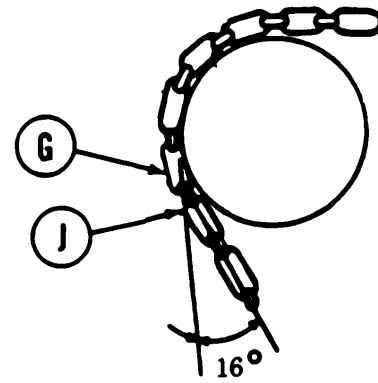
Go on to Sheet 9.1

TRACK ASSEMBLY REPLACEMENT (Sheet 9.1 of 10)

**NOTE**

If track torquing tool kit is available, go to step 49. If not available, go to step 42.

42. Have other person start engine (TM 5-5420-226-10). Slowly move vehicle until track link in front of end connector (G), just installed, is fully engaged over the compensating idler wheel and the track link, after end connector (G) is just touching the compensating idler wheel.
43. Using torque wrench with 15/16 inch socket, tighten end connector wedge (J) bolts to 180-200 lb-ft (244-271 N•m).
44. Move tank until end connector (G) is in lower position.
45. Move tank until end connector (G) is located in same position as step 42. Using torque wrench, tighten to 180-200 lb-ft (244-271 N •m).
46. Repeat steps 42 thru 44 until torque stays at 180-200 lb-ft (244-271 N•m).
47. Move tank until centerguide (N) is between compensating idler wheel and No. 1 roadwheel position.
48. Using torque wrench, tighten centerguide nut (P) to 350 lb-ft (474-515 N•m).



Go on to Sheet 9.2

**TRACK ASSEMBLY REPLACEMENT (Sheet 9.2 of 10)**

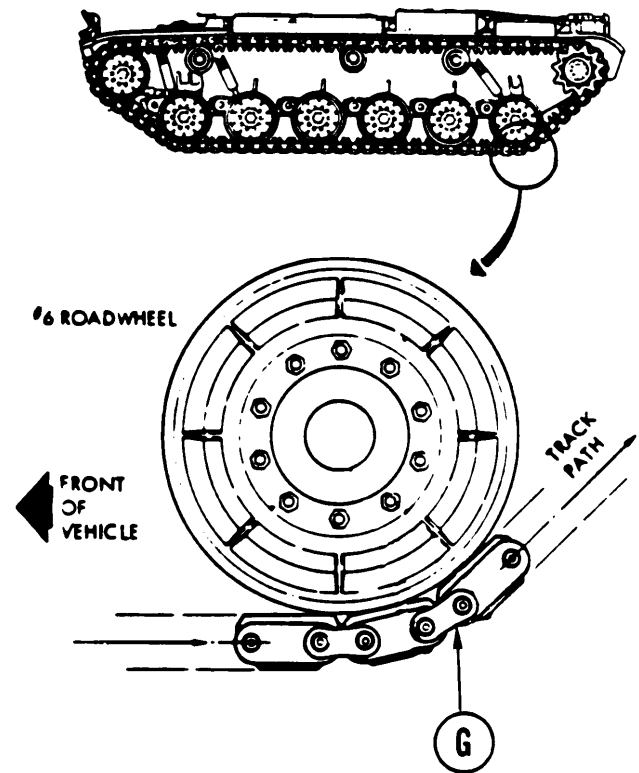
For ease of access, end connector to be tightened must be positioned at number 6 roadwheel.

49. Start engine (TM 5-5420-226-10). Slowly move vehicle until end connector (G) nut to be tightened is positioned at number 6 roadwheel.

**WARNING**

**Tightening inboard end connector requires personnel to be under the vehicle. Perform steps 50 through 53 to prevent injury to personnel (refer to TM 5-5420-226-10).**

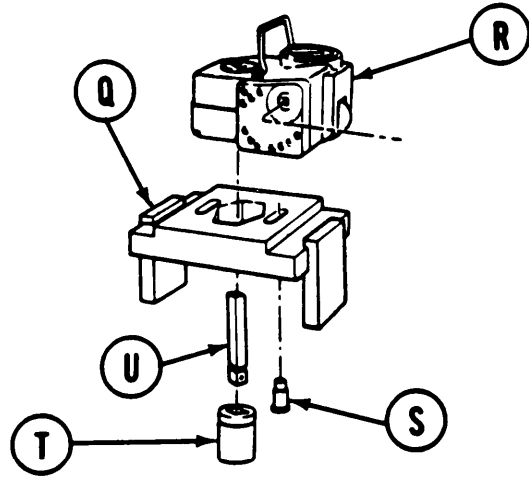
50. Set transmission shift lever to park.
51. Set and lock brakes.
52. Block tracks to prevent vehicle movement.
53. Shut engine off (TM 5-5420-226-10).



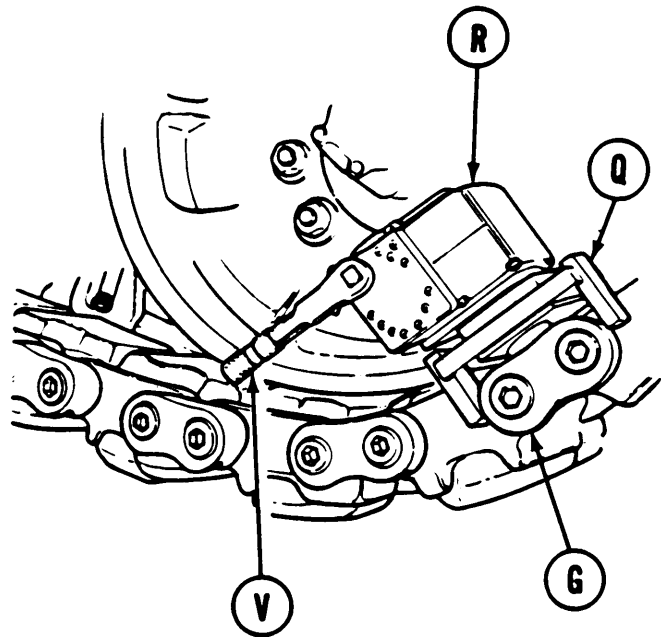
Go on to Sheet 9.3

**TRACK ASSEMBLY REPLACEMENT (Sheet 9.3 of 10)**

- 54. Fasten adapter (Q) to torque pack (R) using shoulder screw (S).
- 55. Place 15/16 inch socket (T) on drive bar (U) and install drive bar (U) into torque pack (R).



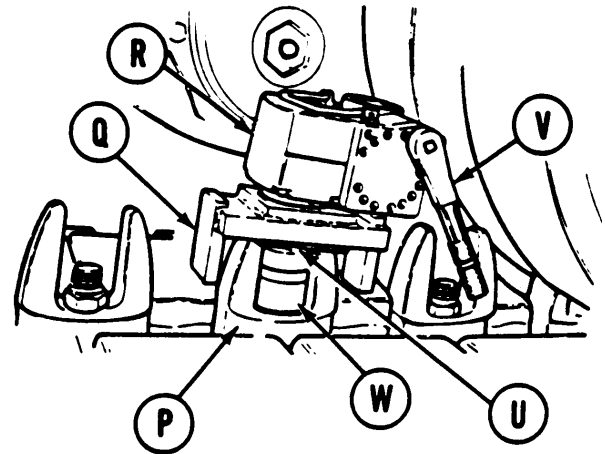
- 56. Position torque pack (R) with adapter (Q), drive bar (U), and socket (T) over nut on end connector (G) to be tightened. Ensure adapter (Q) legs are seated firmly against shoe assemblies on both sides.
- 57. Install ratchet (V) on torque pack (R) and rotate ratchet until socket (T) engages nut on end connector (G).
- 58. Rotate ratchet (V) clockwise until torque pack dial indicates 180-200 lb-ft (244-271 N•m).
- 59. Wait approximately 15 seconds, read dial, and repeat step 58 until dial reading stabilizes at 180-200 lb-ft (244-271 N•m).
- 60. Rotate ratchet (V) counterclockwise until dial reading indicates O. Remove torque pack.
- 61. Repeat steps 56 thru 60 to tighten inboard end connector.
- 62. Remove 15/16 inch socket (T) from torque pack (R).



Go on to Sheet 10

**TRACK ASSEMBLY REPLACEMENT (Sheet 10 of 10)**

63. Place 1-5/16 inch socket (W) on drive bar (U).
64. Position torque pack (R) with adapter (Q), drive bar (U), and socket (W) over centerguide nut (P) to be tightened. Ensure adapter (Q) legs envelop top of centerguide ears.
65. Install ratchet (V) on torque pack (R) and rotate ratchet until socket (W) engages centerguide nut (P).
66. Rotate ratchet (V) clockwise until torque pack dial indicates 350-380 lb-ft (474-515 N•m).
67. Wait approximately 15 seconds, read dial, and repeat step 66 until dial reading stabilizes at 350-380 lb-ft (474-515 N•m).
68. Rotate ratchet (V) counterclockwise until dial reading indicates O. Remove torque pack.
69. Apply track tension (TM 5-5420-226-10).
70. Install rear fender and shield (if required) (page 16-78).



End of Task



**TRACK ADJUSTING LINK REPLACEMENT (Sheet 1 of 5)**

PROCEDURE INDEX

PROCEDURE	PAGE
Removal	14-75
Installation	14-78

TOOLS: Slip joint pliers  
 Ratchet with 3/4 in. drive  
 3/4 in. socket with 3/4 in. drive  
 1-1/8 in. socket with 3/4 in. drive  
 Pry bar  
 Wire brush  
 Hammer  
 Slide hammer puller

SPECIAL TOOLS: Roadwheel adapter (Item 8, Chapter 3, Section I)

SUPPLIES: Rags (Item 65, Appendix D)  
 Cotter pins (2 required)  
 Lockwashers (2 required)

PERSONNEL: Three

PRELIMINARY PROCEDURES: Remove compensating idler wheels (page 14-50).  
 Remove front fender (page 16-45).

**NOTE**

**This adjusting link replacement procedure is for left side of vehicle. Right side adjusting link procedure is similar.**

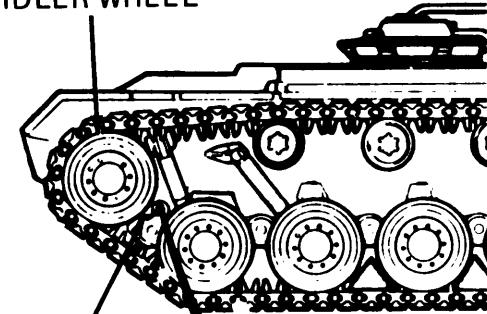
Go on to Sheet 2

TRACK ADJUSTING LINK REPLACEMENT (Sheet 2 of 5)

FRONT OF VEHICLE

REMOVAL:

COMPENSATING  
IDLER WHEEL



TRACK  
ADJUSTING  
LINK

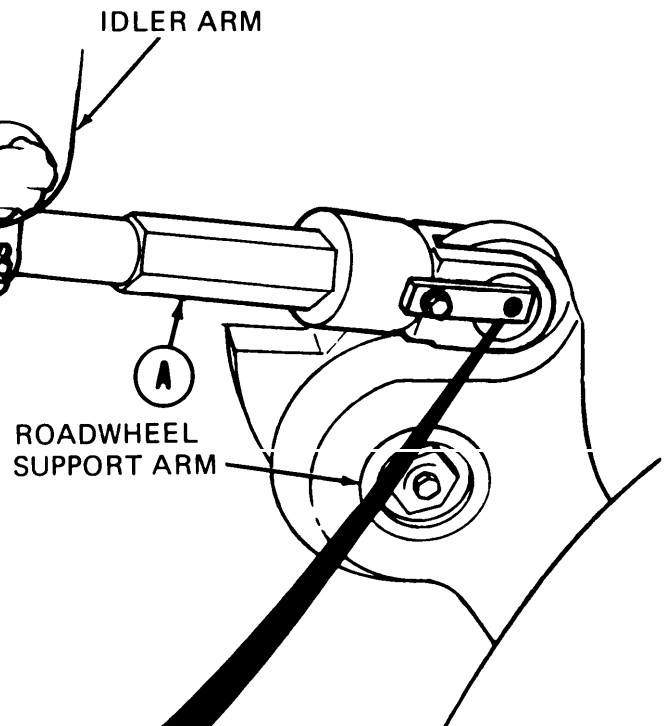
1. Using wire brush and rag, clean off both ends of adjusting link (A).

2. Using pliers, straighten cotter pin (B) and remove it from slotted nut (C) at roadwheel support arm. Throw cotter pin (B) away.

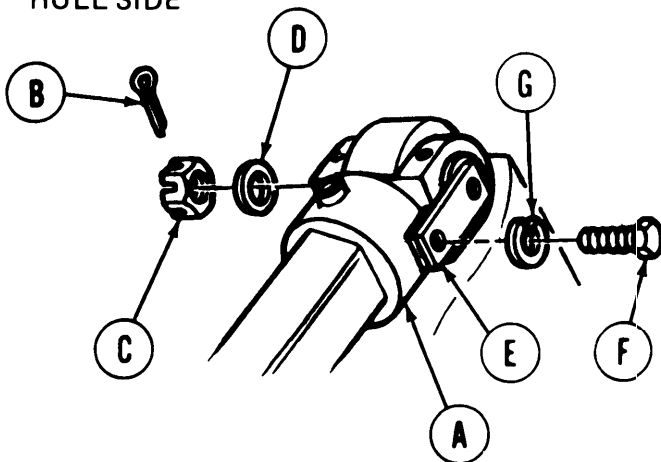
IDLER ARM

3. Using 1-1/8 inch socket, remove nut (C) and washer (D) from pin (E).

4. Using 3/4 inch socket, remove screw (F) securing pin (E) to link (A). Remove lock-washer (G).



HULL SIDE



Go on to Sheet 3

TA169340



**TRACK ADJUSTING LINK REPLACEMENT (Sheet 3 of 5)**

5. Go to other end of adjusting link (A).
6. Using pliers, straighten cotter pin (H) and remove it from slotted nut (J). Throw cotter pin (H) away.
7. Using 1-1/8 inch socket with ratchet, loosen nut (J).
8. Remove nut (J) and washer (K).
9. Using 3/4-inch socket, remove screw (L). Remove lockwasher (M).
10. Pick up nut (J) and screw it a couple of turns onto pin (N).
11. Using hammer, tap pin (N) to loosen it.
12. Screw adapter into end of pin (E). Screw end of slide hammer puller into adapter, and using slide hammer puller, remove pin (E) and shim (P) from link (A).
13. Using second technician to hold link (A), rotate arm so that pin (N) will be over front slope of vehicle.
14. Remove nut (J) from pin (N).

**NOTE**

**Have third technician hold link (A) when pin (N) is removed.**

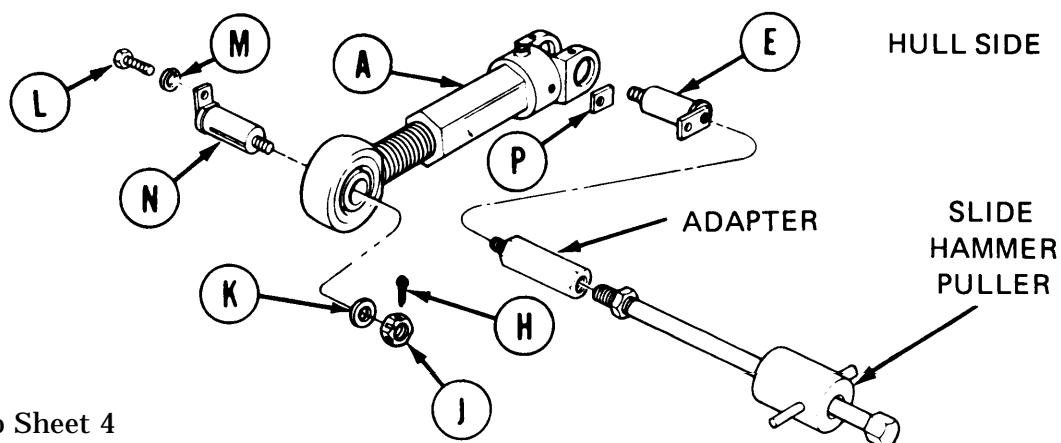
**NOTE**

**Use caution when removing pin (N) because link (A) may fall away.**

15. Using pry bar, remove pin (N) from link (A).
16. Remove link (A) from vehicle. Lower idler arm to normal position.

**NOTE**

**If pin (N) is hard to remove, screw adapter onto pin (E). Screw end of slide hammer puller into adapter and use slide hammer puller to remove pin (N) from link (A).**



Go on to Sheet 4

TA169341

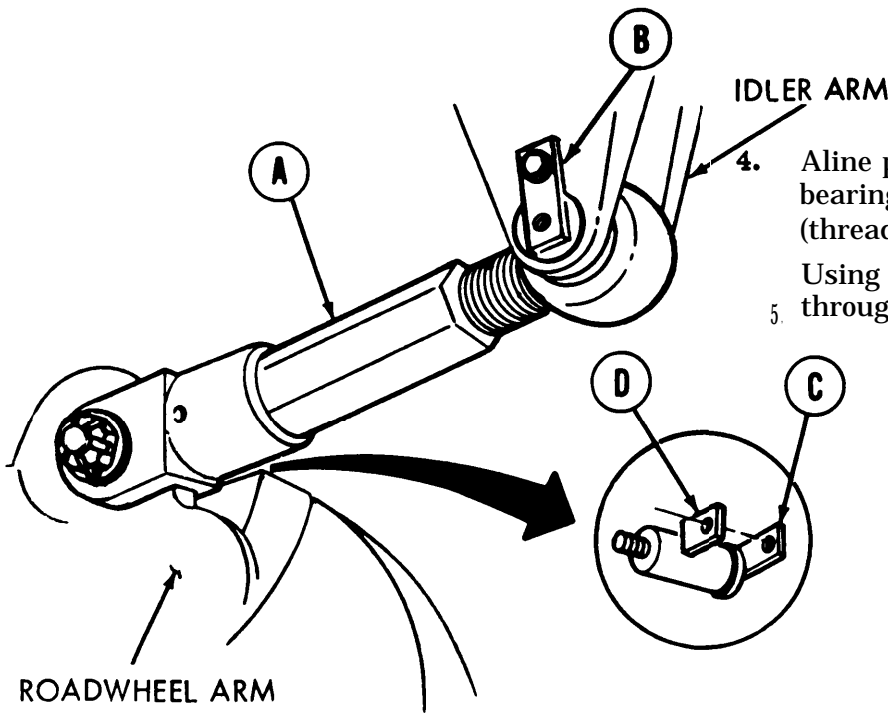
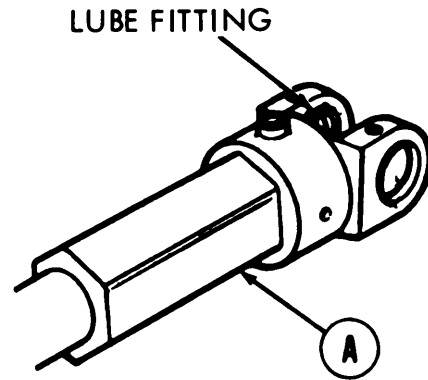
**TRACK ADJUSTING LINK REPLACEMENT (Sheet 4 of 5)**

**INSTALLATION:**

Before mounting link (A), position it so lubrication fitting is on top (pointing outward).

Rotate arm until link mount is above slope at front of vehicle.

With help of second technician, lift link (A) into mounted position on vehicle.



4. Aline pin (B) grooves with two splines in bearing. Insert pin (B) from hull side (threads facing away from hull).

5. Using hammer, drive pin (B) into place through link (A).

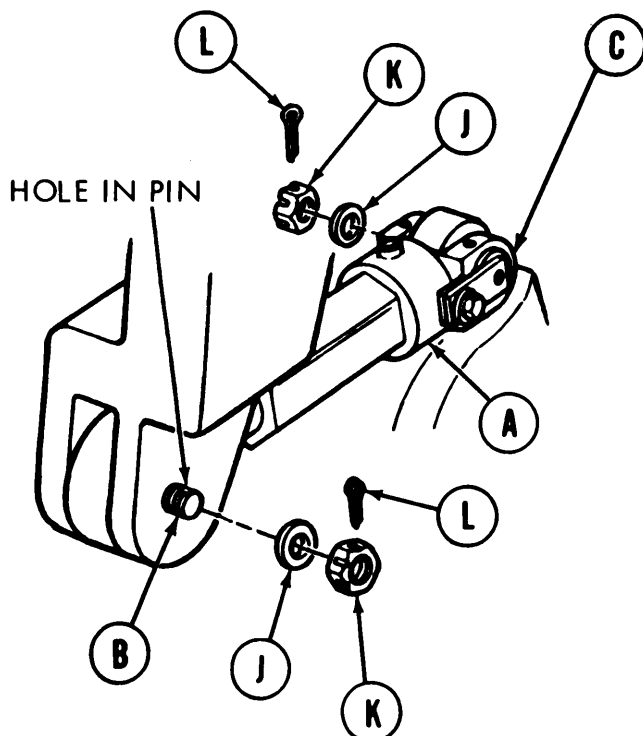
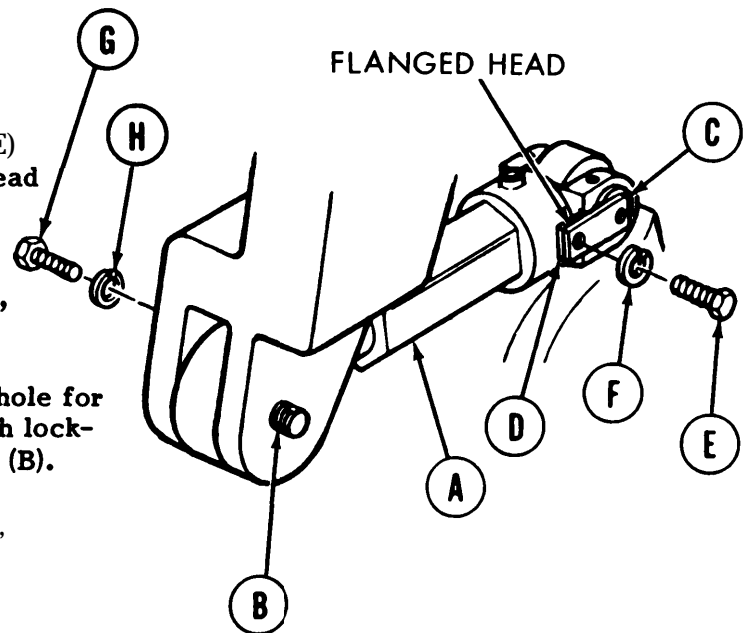
6. Lower arm and position other end of link (A) on mount at roadwheel.
7. Aline pin (C) with two splines in bearing. Insert pin (C) from outside (threads facing toward hull).
8. Using hand to hold shim (D) in place between mount and pin (C), use hammer and drive pin (C) through link (A).

Go on to Sheet 5

TA169342

**TRACK ADJUSTING LINK REPLACEMENT (Sheet 5 of 5)**

9. Aline flanged head of pin (C) with hole for screw (E). Insert screw (E) through lock washer (F), flanged head of pin (C), and shim (D).
10. Using 3/4-inch socket with ratchet, tighten screw (E).
11. Aline flanged head of pin (B) with hole for screw (G). Insert screw (G) through lock washer (H) and flanged head of pin (B).
12. Using 3/4-inch socket with ratchet, tighten screw (G).



13. Using 1-1/8 inch socket, install both washers (J) and nuts (K) onto pins (B and C).
14. Using pliers, install new cotter pins (L) through slots in nuts (K) and holes in pins (B and C).
15. Install compensating idler wheels (page 14-52).
16. Install front fender (page 16-50).
17. Adjust track (TM 5-5420-226-10).

End of Task

TA169343

**TRACK ADJUSTING LINK REPAIR (Sheet 1 of 3)**

**TOOLS:** 3/4 in. sliding tee  
7/16 in. combination box and open end wrench  
9/16 in. combination box and open end wrench  
Hammer  
Cold chisel  
Center punch  
Grease gun  
Mounted vise

**SPECIAL TOOLS:** Inserter and remover (Item 15, Chapter 3, Section I)

**SUPPLIES:** Lube fitting  
Rags (Item 65, Appendix D)  
Grease (Item 37, Appendix D)  
Lockwasher

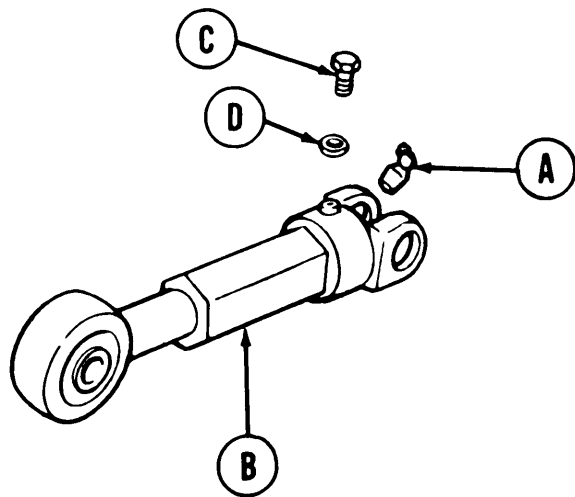
**REFERENCE:** TM 5-5420-226-10

**PERSONNEL:** Two

**PRELIMINARY PROCEDURES:** Remove track adjusting link assembly (page 14-75).

**DISASSEMBLY:**

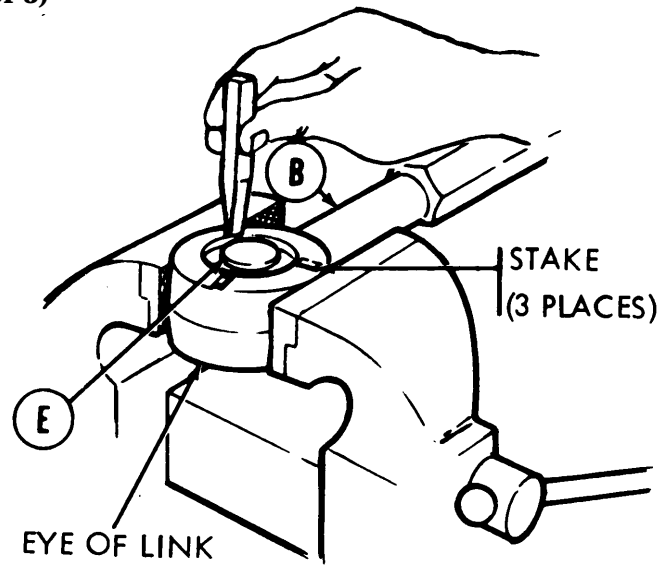
1. Using 7/16 inch wrench, remove grease fitting (A) from link (B). Discard grease fitting (A).
2. Using 9/16 inch wrench, remove bolt (C) and lockwasher (D).



Go on to Sheet 2

**TRACK ADJUSTING LINK REPAIR (Sheet 2 of 3)**

3. Place link (B) in a vise and using hammer on chisel, cut stakes at three places (both sides) that hold bearing (E) in eye end of link (B).
4. Position inserter and remover to bearing (E) in link (B). Using 3/4 inch siding tee, press bearing (E) out of link eye.
5. Inspect parts (A) through (E). Replace them as necessary.



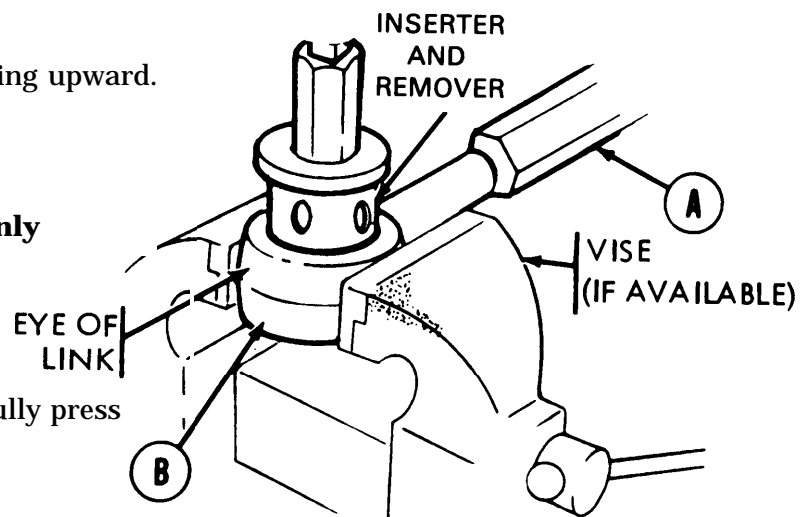
**ASSEMBLY:**

1. Position link (A) so eye end is facing upward.

**NOTE**

**Make sure bearing (B) is evenly mounted in link eye.**

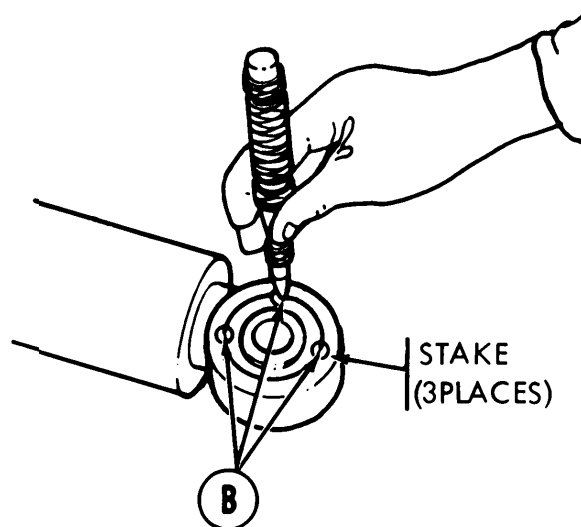
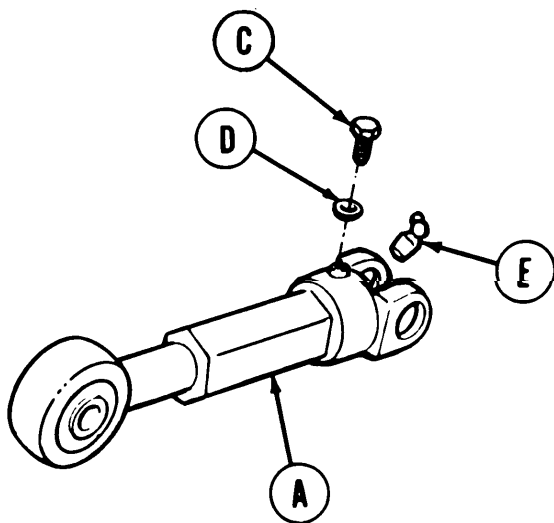
2. Using inserter and remover, carefully press bearing (B) into eye of link (A).



Go on to Sheet 3

**TRACK ADJUSTING LINK REPAIR (Sheet 3 of 3)**

- Using hammer and punch, stake bearing (B) into link (A) in three places (both sides).
- Install bolt (C) and lockwasher (D) at other end of link.



- Using 9/16 inch wrench, tighten bolt (C) in place.
- Using 7/16 inch wrench, install and tighten new grease fitting (E) into position in link (A).

**NOTE**

**For easy access with grease gun, fitting (E) should be pointing outward when link (A) is installed to vehicle.**

- Using grease gun, squirt grease through fitting (E) to make sure it is not plugged.
- Install track adjusting link assembly (page 14-78).

End of Task

TA169346

**TRACK LINK PAD REPLACEMENT (Sheet 1 of 2)**

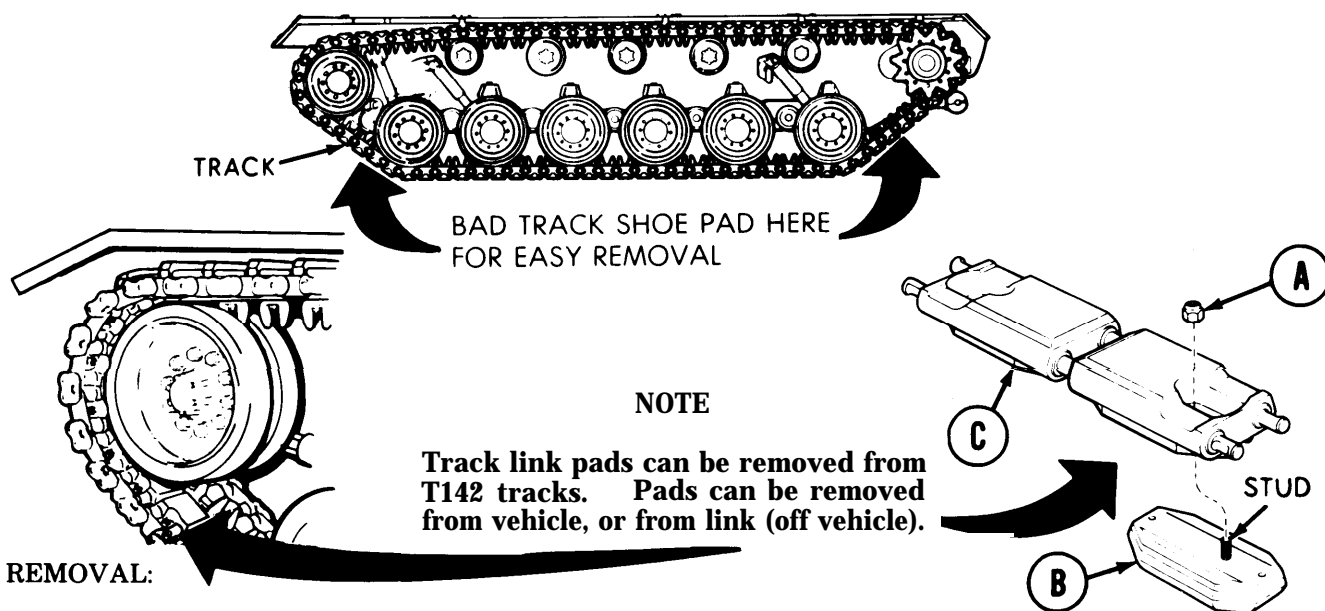
**TOOLS:** 1-1/8 in. socket with 3/4 in. drive  
 Ratchet with 3/4 in. drive  
 Ball peen hammer  
 T-handle with 3/4 in. drive  
 Torque wrench with 3/4 in. drive (0-600 lb-ft) (0-814 N • m)

**SPECIAL TOOLS:** Track torquing tool kit (Item 13, Chapter 3, Section I)

**SUPPLIES:** Track pad parts kit

**REFERENCES:** TM 5-5420-226-10

**PRELIMINARY PROCEDURES:** Position vehicle for easy removal and installation of track shoe pad (TM 5-5420-226-10).  
 Apply parking brake (TM 5-5420-226-10).



**REMOVAL:**

1. Using socket with ratchet (or T-handle), loosen nut (A). Remove nut. Discard nut
2. Using hammer, drive shoe pad (B) out of link (C). Discard pad.

**INSTALLATION:**

1. Position new pad (B) in link (C). Screw nut (A) onto pad (B) stud,

**NOTE**

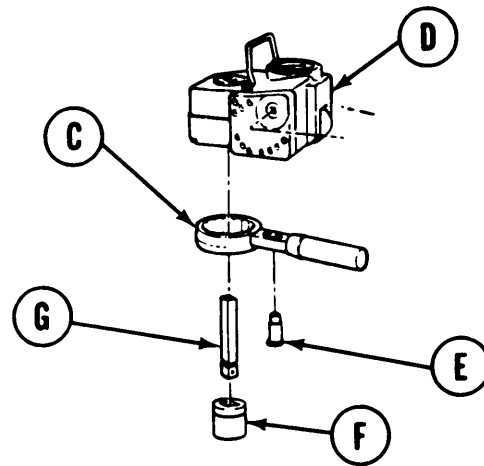
**If track torquing tool kit is available, go to step 3. If not available, do step 2 only.**

2. Using torque wrench, tighten nut to 260-280 lb-ft (352-379 N • m),

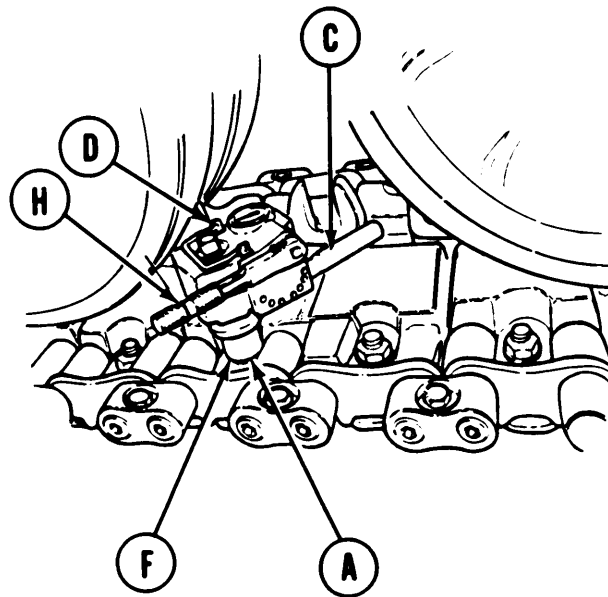
Go on to Sheet 2

**TRACK LINK PAD REPLACEMENT (Sheet 2 of 2)**

3. Position reaction lever (C) on torque pack (D) and secure using shoulder screw (E).
4. Place 1-1/8 inch socket (F) on drive bar (G) and install drive bar (G) into torque pack (D).



5. Position torque pack (D) with drive bar (G) and socket (F) over center pad nut (A) to be tightened.
6. Install ratchet (H) on torque pack (D) and rotate ratchet until socket (F) engages center pad nut (A).
7. Rotate ratchet (H) clockwise until torque pack dial indicates 260-280 lb-ft (352-379 N•m).
8. Wait approximately 15 seconds, read dial, and repeat step 7 until dial reading stabilizes at 260-280 lb-ft (352-379 N•m).
9. Rotate ratchet (V) counterclockwise until dial reading indicates O. Remove torque pack.



End of Task



**TRACK LINK REPLACEMENT (Sheet 1 of 3)**

**TOOLS:** 15/16 in. socket with 3/4 in. drive  
Ratchet with 3/4 in. drive  
1-5/16 in. socket with 3/4 in. drive  
Hammer  
Hinged handle with 3/4 in. drive  
10 in. extension with 3/4 in. drive  
1-1/2 in. socket with 3/4 in. drive  
T-slide handle with 3/4 in. drive

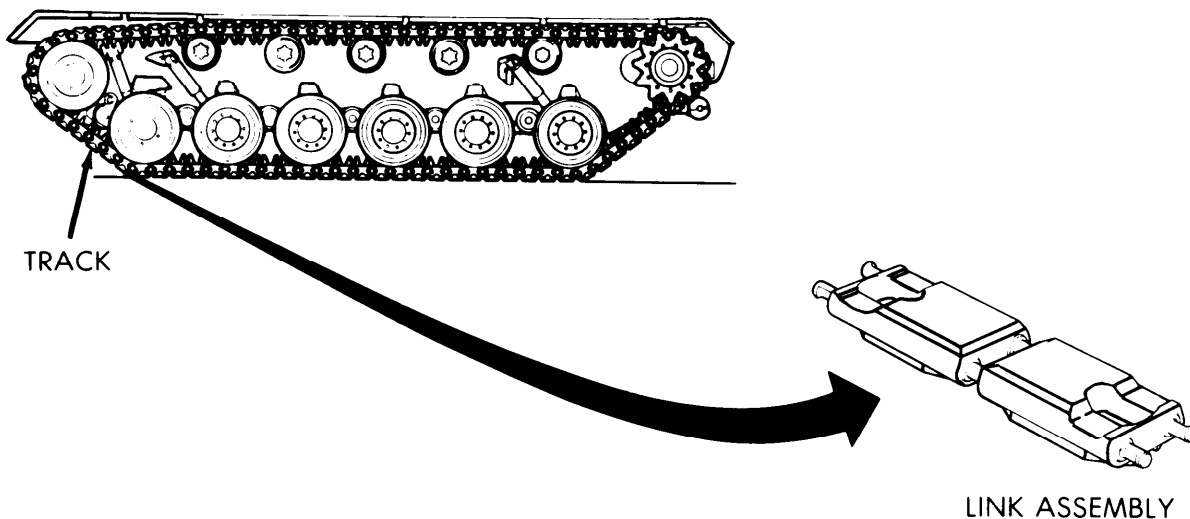
**SPECIAL TOOLS:** Track end connector puller and pump (Item 10, Chapter 3, Section I)

**REFERENCES:** TM 5-5420-226-10

**PRELIMINARY PROCEDURE:** Disconnect track (TM 5-5420-226-10).

**NOTE**

**Do not install T97 track or components on vehicles equipped with T142 track.**



Go on to Sheet 2



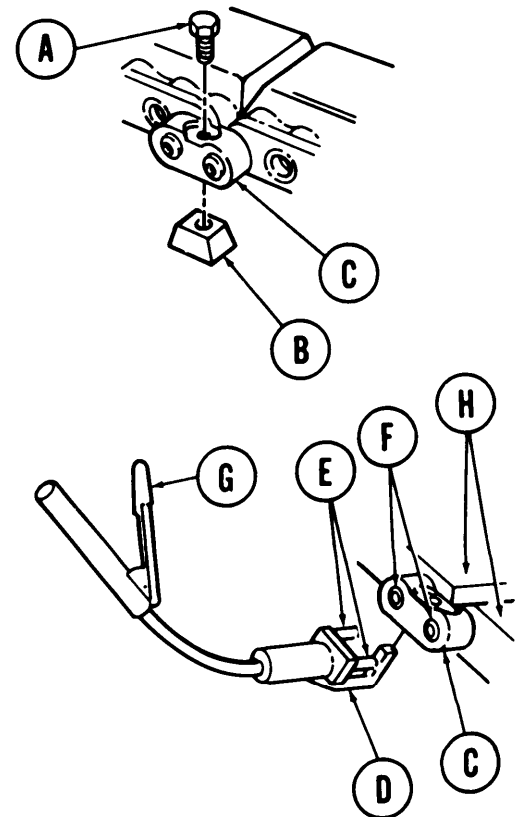
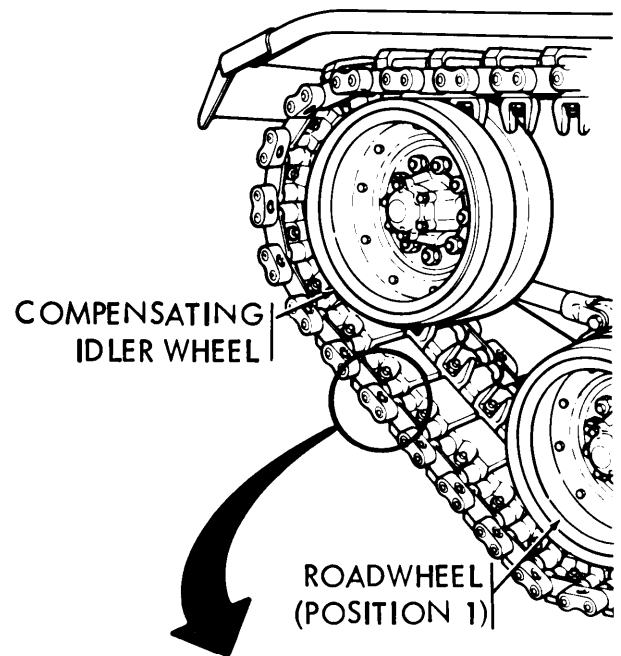
## TRACK LINK REPLACEMENT (Sheet 2 of 3)

## NOTE

Position link to be replaced between compensating idler wheel and road wheel No. 1. Disconnect track at link to be replaced. It will be necessary to remove end connectors and centerguide on both sides of link.

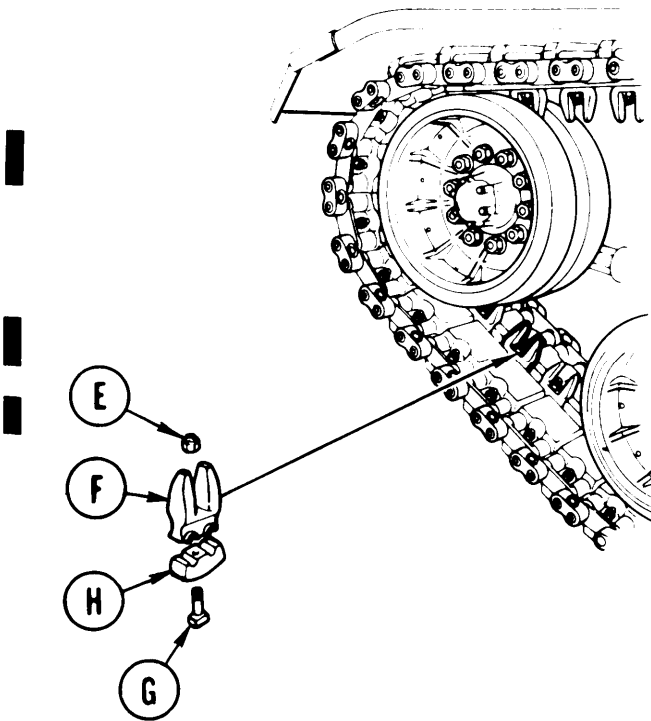
## REMOVAL:

1. Using 15/16 inch socket with ratchet, loosen bolt (A) securing wedge (B) to end connector (C).
2. Using hammer, tap wedge (B) to loosen it.
3. Remove bolt and wedge. Discard bolt (A) and wedge (B).
4. Repeat steps 1 thru 3 to remove bolt and wedge at opposite side of track.
5. Put hook (D) of track end connector puller and pump behind end connector (C).
6. Aline studs (E) of track end connector puller and pump with shoe pins (F).
7. Pump handle (G) until end connector (C) comes off.
8. Repeat steps 5, 6, and 7 to remove opposite end connector.



Go on to Sheet 3

**TRACK LINK REPLACEMENT (Sheet 3 of 3)**



9. Using 1-5/16 inch socket, T-slide handle, and extension, loosen nut (E).
10. Remove nut (E) and centerguide (F). Discard nut (E) and centerguide (F).
11. Using hammer, tap bolt (G) loose.
12. Remove bolt (G) and cap (H). Discard bolt (G) and cap (H).
13. Remove link assembly from track. Discard link assembly.

**INSTALLATION:**

**CAUTION**

**Replace link with one that has same thickness as other links in track. Thicker link can cause vibration.**

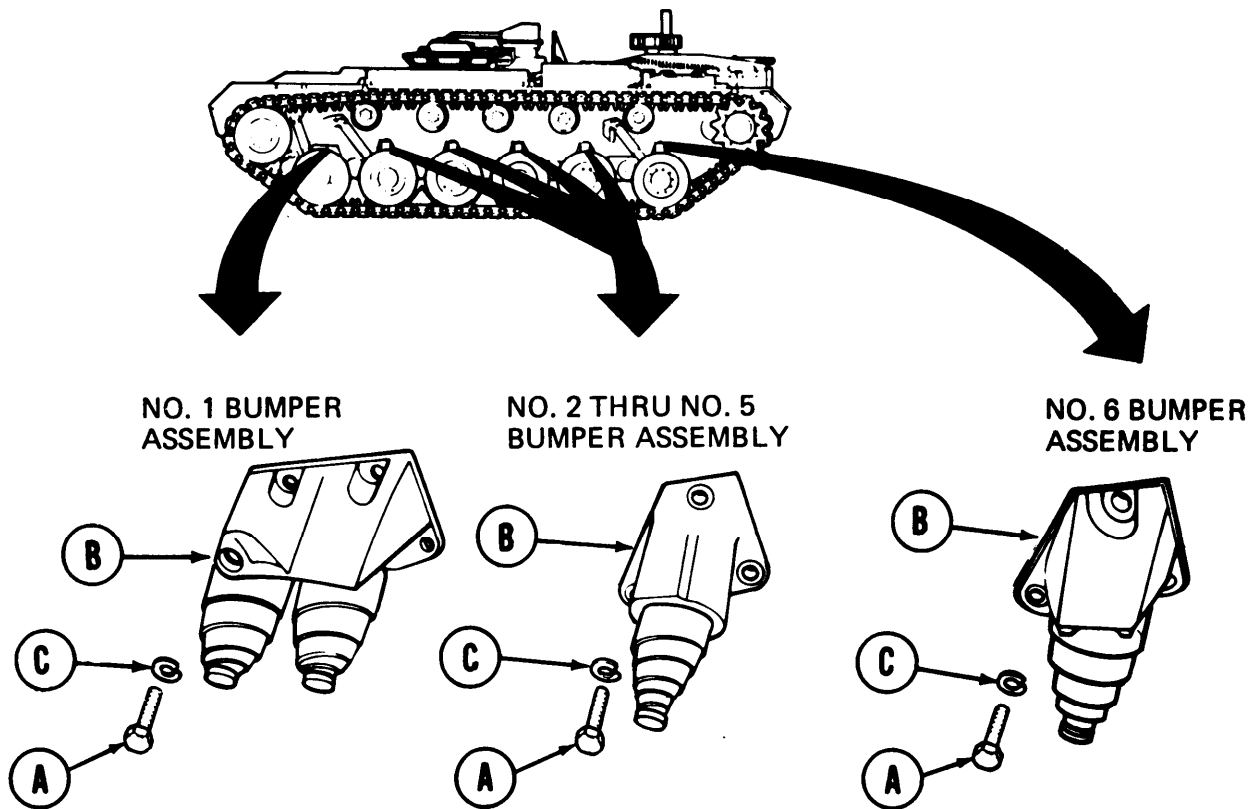
1. Connect track with new track link assembly (TM 5-5420-22610).
2. Torque new end connector and centerguides (page 14-74) .
3. Tighten track tension (TM 5-5420-226-10).

End of Task

**BUMPER ASSEMBLY REPLACEMENT (Sheet 1 of 2)**

**TOOLS:** 1-5/16 in. socket with 3/4 in. drive  
 Ratchet handle with 3/4 in. drive  
 Socket handle wrench with 3/4 in. drive (breaker bar)

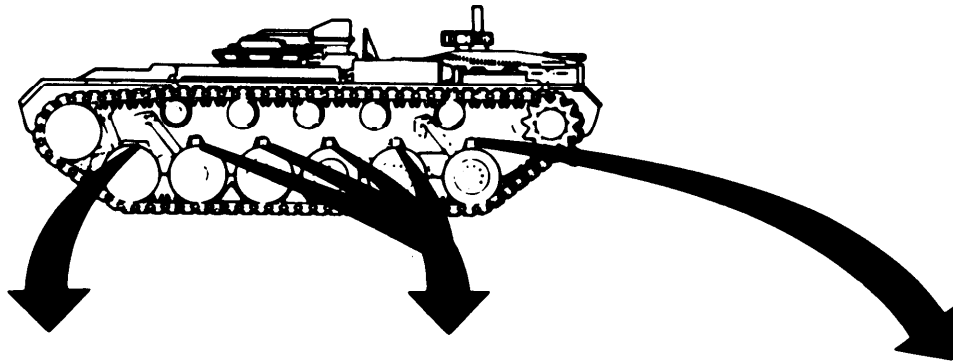
**PRELIMINARY PROCEDURE:** Apply parking brake (TM 5-5420-226-10).



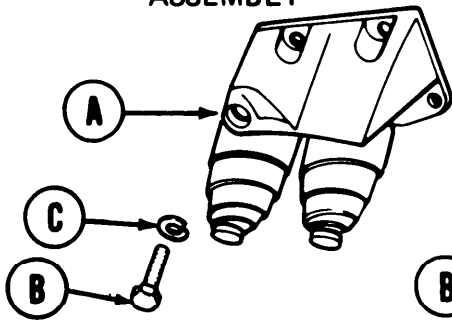
**REMOVAL:**

1. Using socket and breaker bar, loosen four screws (A) (no. 1 bumper assembly) three screws (A) (no. 2 thru no. 6 bumper assembly) securing bumper assembly (B) to hull.
2. Using socket and ratchet, remove screws (A) and lockwashers (C) securing bumper assembly (B) to hull.
3. Remove bumper assembly (B).

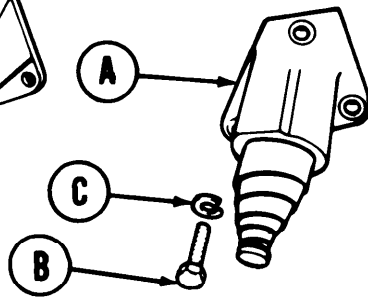
BUMPER ASSEMBLY REPLACEMENT (Sheet 2 of 2)



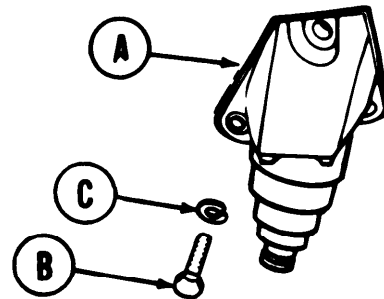
NO. 1 BUMPER ASSEMBLY



NO. 2 THRU NO. 5 BUMPER ASSEMBLY



NO. 6 BUMPER ASSEMBLY



INSTALLATION:

1. Position bumper assembly (A) on hull.
2. Using socket and ratchet, install four screws (B) and lockwashers (C) no. 1 bumper assembly) three screws (B) and lockwashers (C) (no. 2 thru no. 6 bumper assembly) to secure bumper assembly to hull.

End of Task

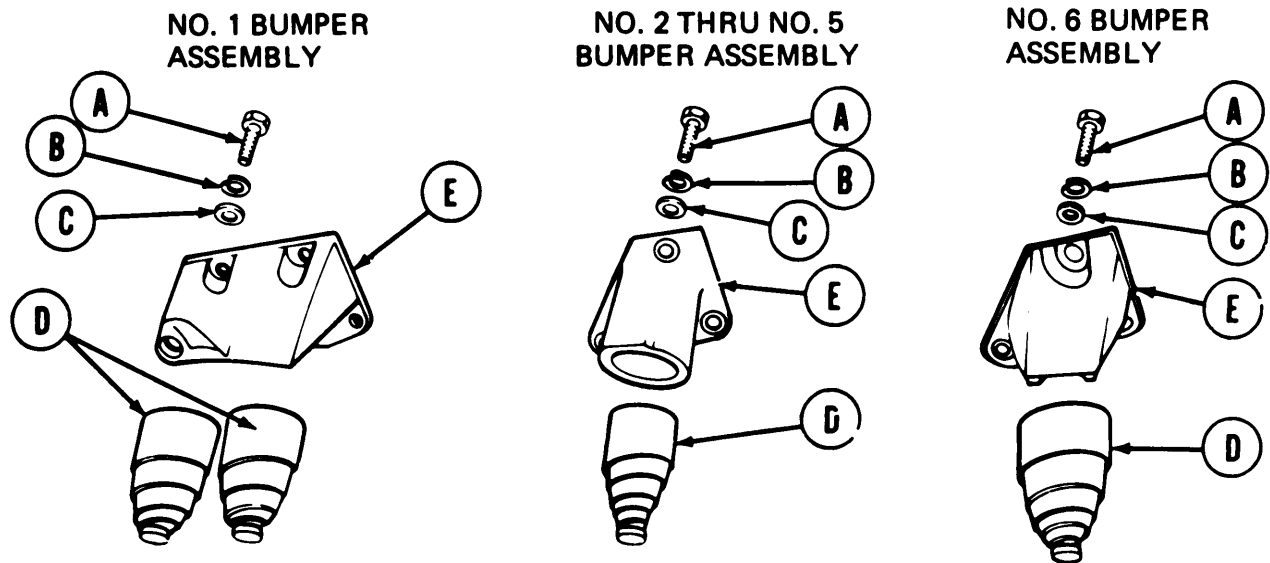
TA169352

**BUMPER ASSEMBLY REPAIR (Sheet 1 of 2)**

**TOOLS:** 15/16 in. socket with 3/4 in. drive  
 Ratchet handle with 3/4in. drive  
 Vise

**SUPPLIES:** Dry cleaning solvent (Item 55, Appendix D)  
 Sealing compound (Item 31, Appendix D)

**PRELIMINARY PROCEDURE:** Remove bumper assembly (page 14-87).



**DISASSEMBLY:**

1. Position bumper assembly in vise.

**NOTE**

**No. 1 bumper assembly consists of two springs mounted with two screws, lockwashers, and washers. No. 2 thru no. 6 bumper assembly consists of one spring, screw, lockwasher, and Washer.**

2. Using socket and ratchet, remove screws (A), lockwashers (B), and flatwashers (C) securing spring (D) to bracket (E).
3. Remove springs (D) from bracket (E).

**CLEANING AND INSPECTION:**

**WARNING**

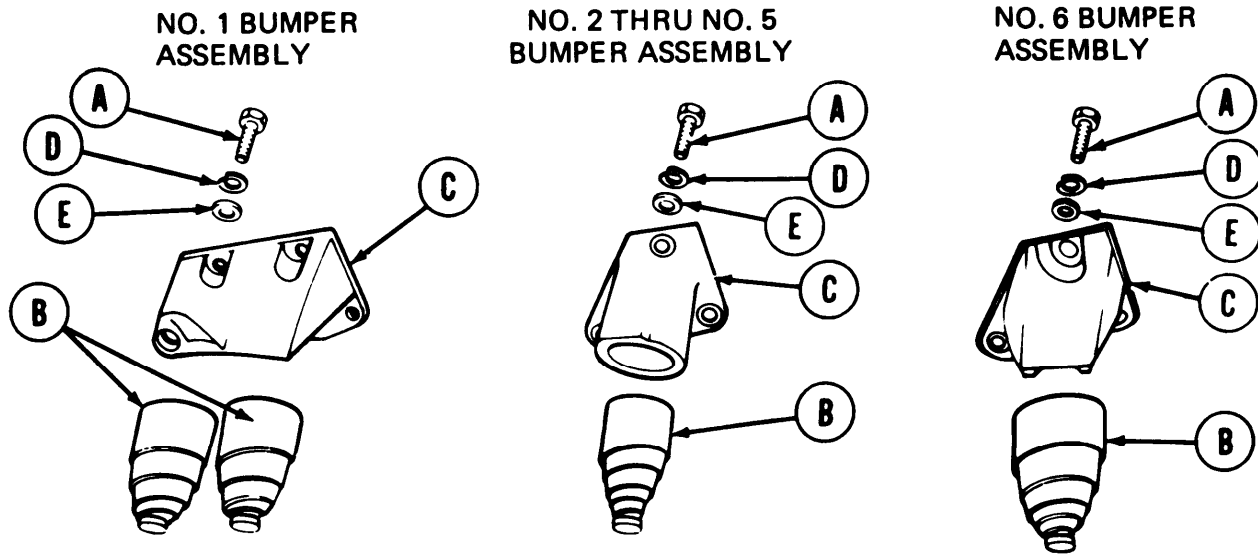
**Cleaning agent specified is flammable. Use only in well ventilated areas. Keep away from flames, sparks, or heat. Do not smoke while using. Prevent contact with eyes, mouth, and/or skin. Wear rubber gloves when performing cleaning procedures.**

1. Using dry cleaning solvent, clean all removed parts.
2. Inspect springs (D) for cracks and damage.

Go on to Sheet 2

TA169353

BUMPERASSEMBLY REPAIR (Sheet 2 of 2)



ASSEMBLY:

1. Apply sealing compound to threads of screws (A).
2. Insert springs (B) into bracket (C).
3. Using socket and ratchet, install screws (A), lockwashers (D), and flatwashers (E) securing springs (B) to bracket (C).
4. Install bumper assembly (page 14-88).

End of Task

TA169354



**SHOCK ABSORBER REPLACEMENT (Sheet 1 of 2)**

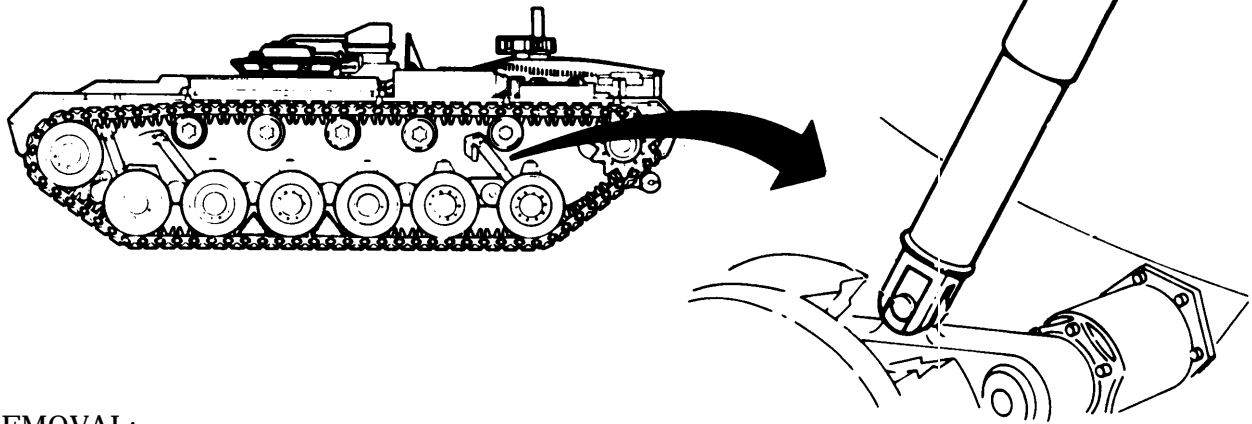
**TOOLS:** Slip joint pliers  
 26 in. pinch bar  
 12 lb. hand hammer  
 Long round nose pliers

**SUPPLIES:** Cotter pin

**PERSONNEL:** Two

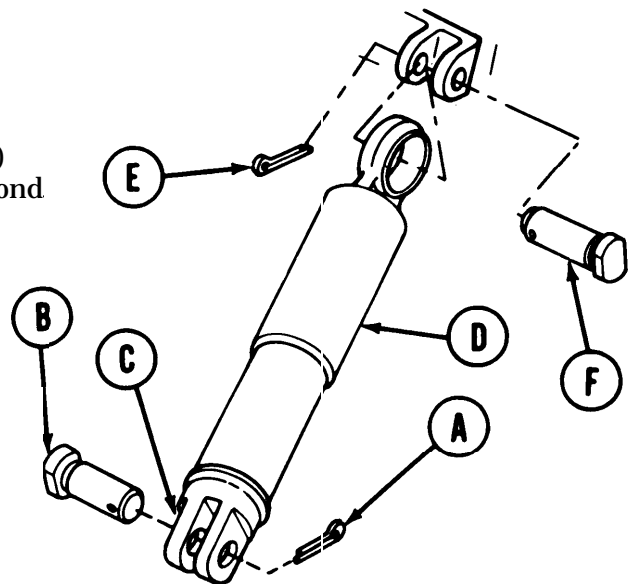
**REFERENCE:** TM 5-5420-226-10

**PRELIMINARY PROCEDURE:** Put transmission lever in P (Park) position (TM 5-5420-226-10).



**REMOVAL:**

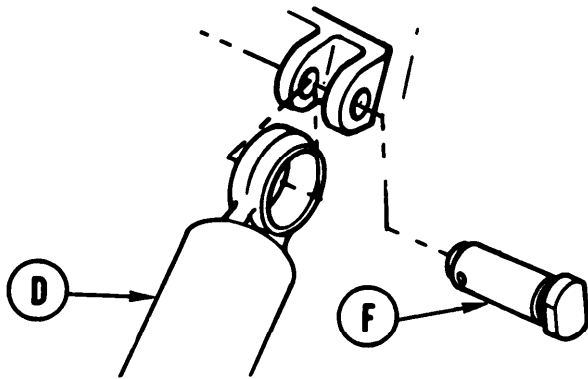
1. Using slip joint pliers, remove cotter pin (A) from lower grooved pin (B). Throw cotter pin (A) away.
2. Using pinch bar, pry lower grooved pin (B) out of shock absorber yoke (C), while second technician holds shock absorber (D).
3. Using long round nose pliers, remove cotter pin (E) from upper grooved pin (F). Throw cotter pin (E) away.



Go on to Sheet 2

TA169355

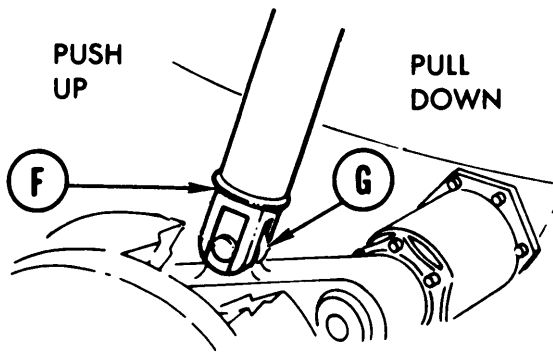
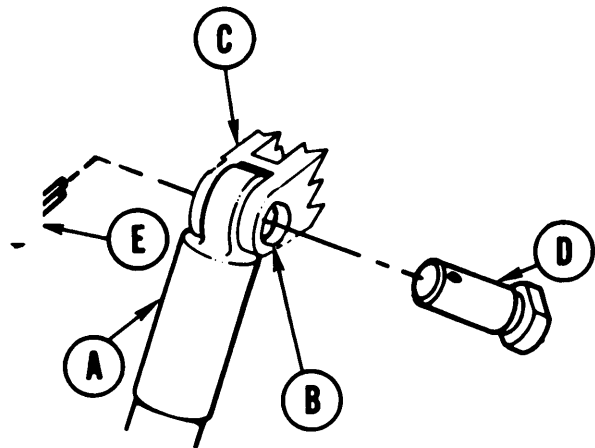
SHOCK ABSORBER REPLACEMENT (Sheet 2 of 2)



4. While one technician holds shock absorber (D), second technician, using hammer, drive out upper grooved pin (F).
5. Remove shock absorber (D).

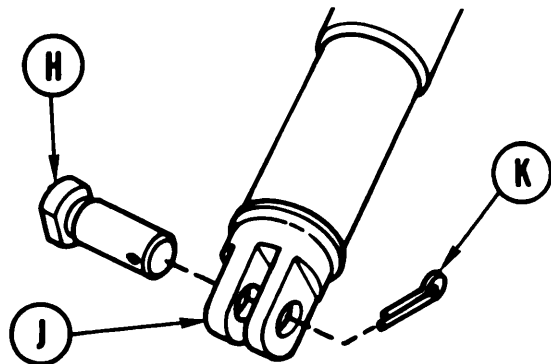
INSTALLATION:

1. With one technician holding shock absorber (A), aline upper eye (B) with hull mounting bracket (C) and with keyways.
2. Using fingers, insert upper grooved pin (D) in position through yoke (C) and eye (B).
3. Using long round nose pliers, install new cotter pin (E).



4. Aline lower shock absorber yoke (F) with roadwheel support arm (G). Aline keyways by pushing up or pulling down on yoke.

5. Using fingers, install lower grooved pin (H) through shock absorber yoke (J), with cotter pin hole facing out.
6. Using long round nose pliers, install new cotter pin (K).



End of Task

TA169356

**SHOCK ABSORBER REPAIR (Sheet 1 of 2)**

**TOOLS:** Hammer  
 Chisel  
 1-1/2 in. socket with 3/4 in. drive  
 Ratchet with 3/4 in. drive  
 Vise  
 Center punch

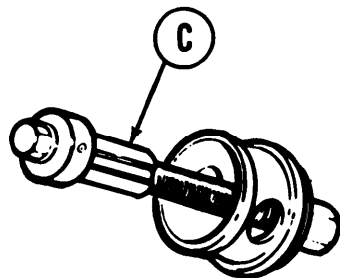
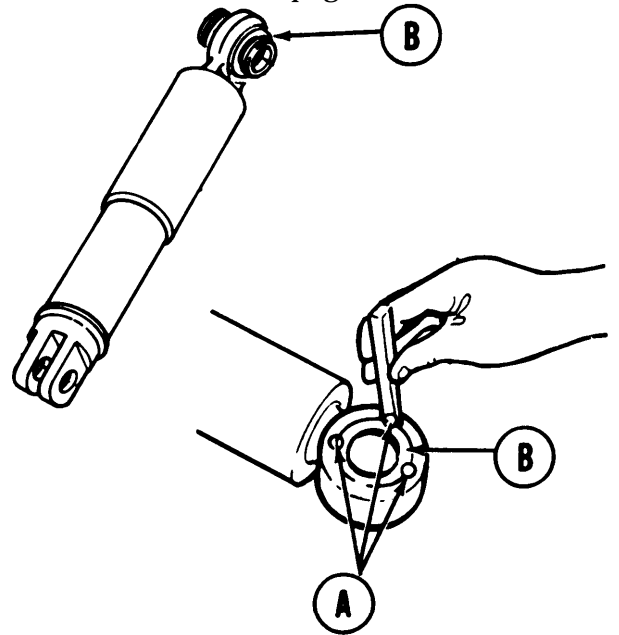
**SPECIAL TOOLS:** Shock absorber bearing tool assembly (Item 25, Chapter 3, Section I)

**SUPPLIES** Bearing 7748753

**PRELIMINARY PROCEDURE:** Remove shock absorber from vehicle (page 14-91).

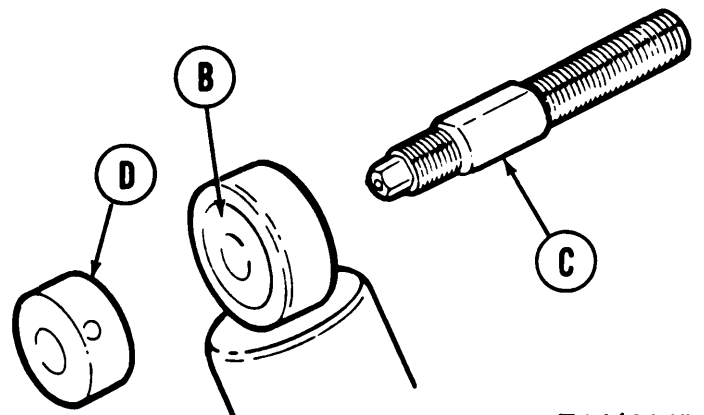
**DISASSEMBLY:**

- Using hammer and chisel, cut off stakes (A) (three places, each side).



- Get special tool for removing bearing (B).

- Put shorter threaded end of screw (C) through bore of bearing (B).
- Screw base (D) of special tool onto shorter end. Base should mate to one side of bearing bore.

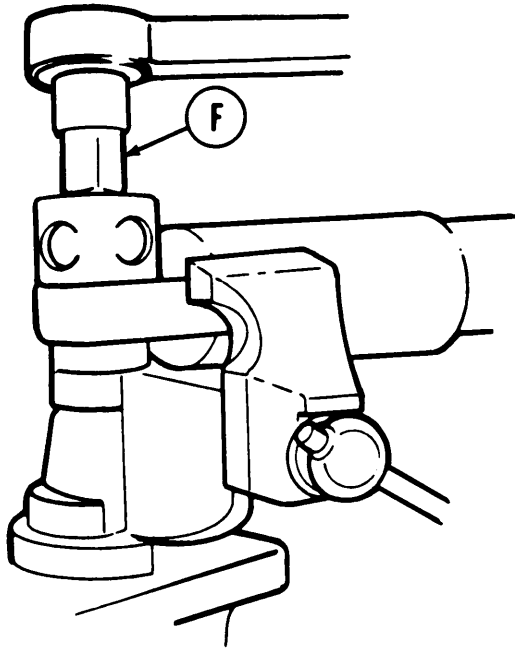
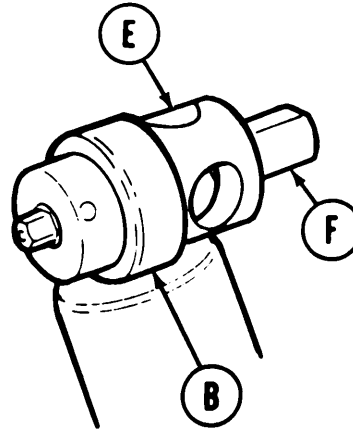


Go on to Sheet 2

TA169357

**SHOCK ABSORBER REPAIR (Sheet 2 of 2)**

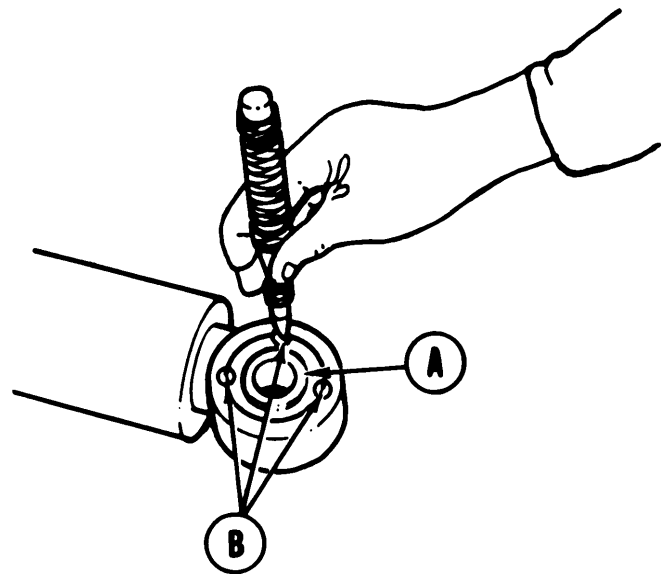
5. Position remover (E) onto longer threaded end of screw. Remover (E) should mate to surface of bearing (B) at other side.
6. Screw nut (F) onto longer end until it mates with remover.
7. Put shock absorber in vise.



8. Using socket with ratchet, turn nut (F) of special tool to force bearing (B) out of shock absorber.
9. Throw bearing (B) away.

**ASSEMBLY:**

1. Using special tool as shown, install new bearing (A) in shock absorber.
2. Using hammer and center punch, stake (B) bearing (three places, each side) to hold bearing in place.
3. Install shock absorber (page 14-92).



End of Task

**SHOCK ABSORBER UPPER MOUNTING BRACKETS REPLACEMENT (Sheet 1 of 2)**

**TOOLS:** 1-5/16 in. socket with 3/4 in. drive  
 15/16 in. socket with 3/4 in. drive  
 Ratchet with 3/4 in. drive  
 Cutting torch  
 Welding torch  
 Grinding tool

**SUPPLIES:** Bushing (4 required)

**REFERENCES:** TM 43-0139  
 TM 9-237

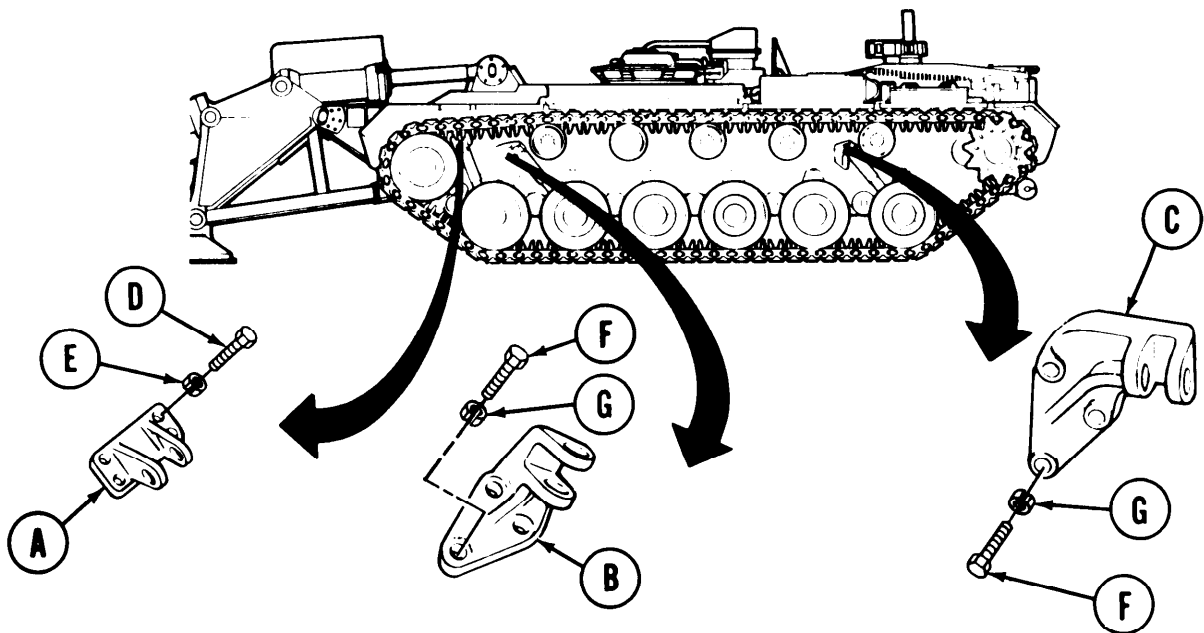
**PRELIMINARY PROCEDURE:** Remove shock absorber (page 14-91)

**REMOVAL**

**NOTE**

- Do step 1 for front bracket (A).
- Do step 2 for intermediate or rear bracket (B or C).

1. Using 15/16-inch socket and ratchet, remove four screws (D) and lockwashers (E) securing bracket (A).
2. Using 1-5/16-inch socket and ratchet, remove three screws (F) and lockwashers (G) securing bracket (B or C).



3. Using cutting torch, carefully burn away weld securing bracket (A, B or C) to hull.
4. Remove bracket (A, B or C).

Go on to Sheet 2

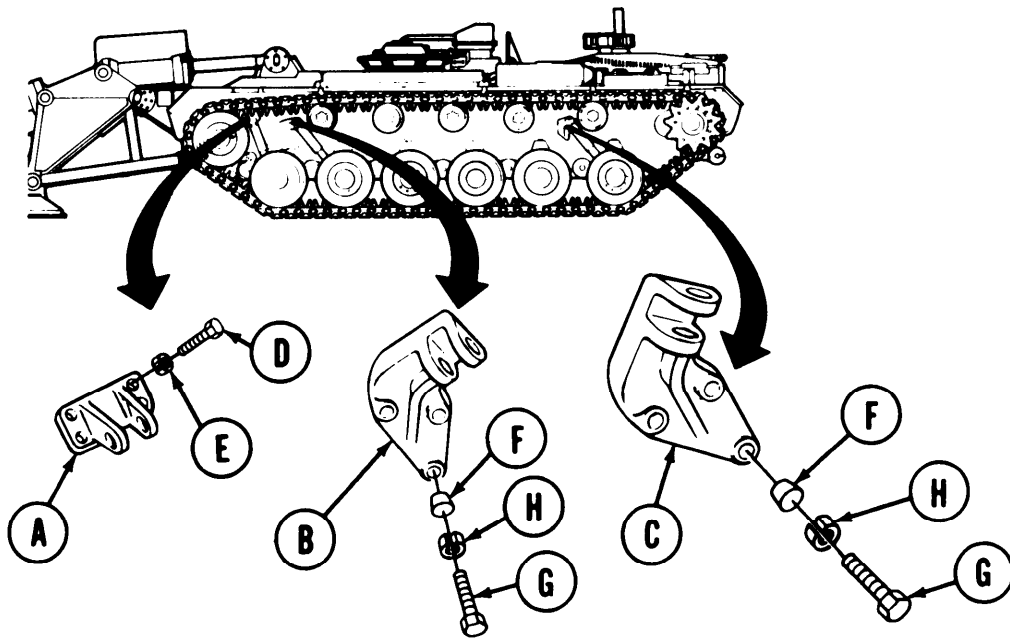
## SHOCK ABSORBER UPPER MOUNTING BRACKETS REPLACEMENT (Sheet 2 of 2)

### INSTALLTION:

1. Using grinding tool, remove old weld from hull.
2. Place bracket (A, B or C) in position on hull.

### NOTE

- Do step 3 to install front bracket (A).
  - Do step 4 to install intermediate or rear bracket (B or C).
3. Using 15/16 socket and ratchet, install four screws (D) and lockwashers (E) to secure bracket (A).
  4. Install three bushings (F) and using 1-5/16 socket and ratchet, install three screws (G) and lockwashers (H).



5. Using welding torch, weld bracket (A, B or C) along all sides to hull in accordance with TM 9-237.
6. Spot paint welded area (TM 43-0139).
7. Install shock absorber (page 14-92).

End of Task

**SHOCK ABSORBER UPPER FRONT MOUNTING BRACKET REPAIR (Sheet 1 of 2)**

TOOLS: Hammer  
Remover and replacer  
Bushing tool handle

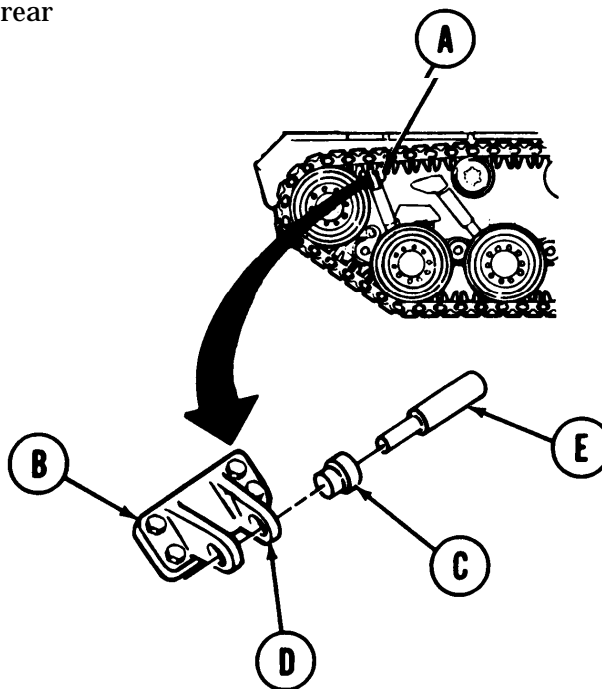
SUPPLIES: Bushing (2 required)

REFERENCES: TM 5-5420-226-10

PRELIMINARY PROCEDURE: Remove shock absorber (page 14-91)

**REMOVAL:**

1. For ease of removal of front bracket bushing, remove two track center guides at position (A) to rear of front bracket (B) (TM 5-5420-226-10).
2. Position remover and replacer (C) on rear bushing (D) of bracket (B).
3. Position handle (E) on remover and replacer (C) and, using hammer, drive rear bushing (D) out of bracket (B).
4. Remove handle (E) and remover and replacer (C).



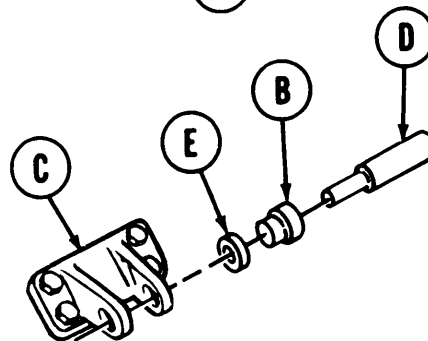
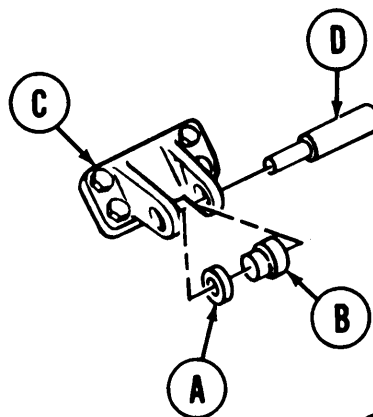
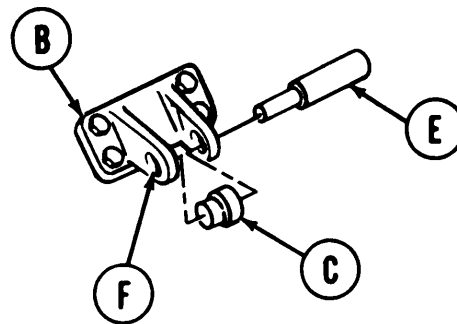
Go on to Sheet 2

**SHOCK ABSORBER UPPER FRONT MOUNTING BRACKET REPAIR (Sheet 2 of 2)**

5. Position remover and replacer (C) on forward bushing (F) of bracket (B).
6. Position handle (E) through bracket (B) on remover and replacer (C) and, using hammer, drive bushing (F) out of bracket (B).

**INSTALLATION:**

1. Position forward bushing (A) on remover and replacer (B) and align bushing (A) in bracket (C).
2. Position handle (D) through bracket (C) on remover and replacer (B) and, using hammer, drive bushing (A) into bracket (C) until flush with surface.
3. Remove handle (D) and remover and replacer (B).
4. Position rear bushing (E) on remover and replacer (B) and align bushing (E) with bracket (C).
5. Position handle (D) on remover and replacer (B) and, using hammer, drive bushing (E) into bracket (C) until flush with surface.
6. Install two track center guides (TM 5-5420-226-10).
7. Install shock absorber (page 14-92).



End of Task



**SHOCK ABSORBER UPPER MIDDLE AND REAR MOUNTING BRACKETS REPAIR  
(Sheet 1 of 2)**

TOOLS: Hammer  
Remover and replacer  
Bushing tool handle

SUPPLIES: Bushing (2 required)

REFERENCES: TM 5-5420226-10

PRELIMINARY PROCEDURE Remove shock absorber (page 14-91)

**NOTE**

**Replacement procedures are the same for the middle and rear brackets (A and B) bushings.**

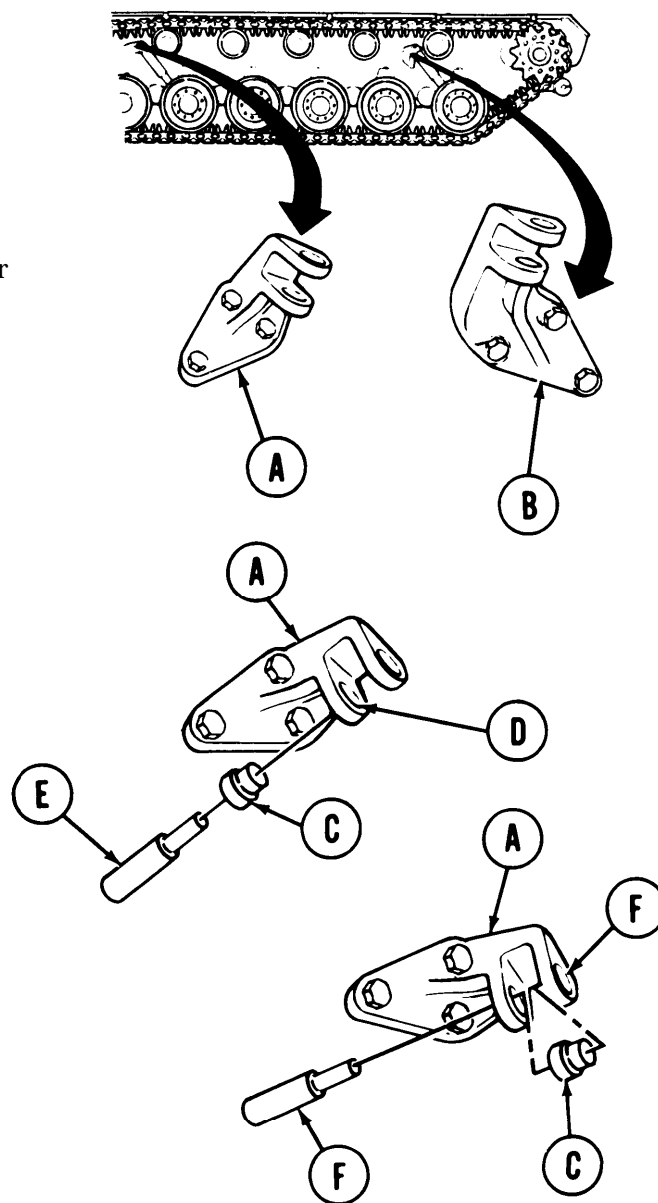
**REMOVAL**

1. Position remover and replacer (C) on forward bushing (D) of bracket (A).
2. Position handle (E) on remover and replacer (C) and, using hammer, drive bushing (D) out of bracket (A).
3. Remove handle (E) and remover and replacer (C).

Position remover and replacer (C) on rear bushing (F).

Position handle (E) through bracket (A) on remover and replacer (C) and, using hammer, drive bushing (F) out of bracket (A).

6. Remove handle (E) and remover and replacer (C).

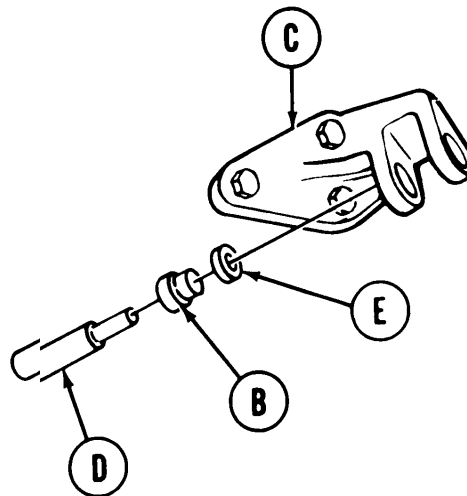
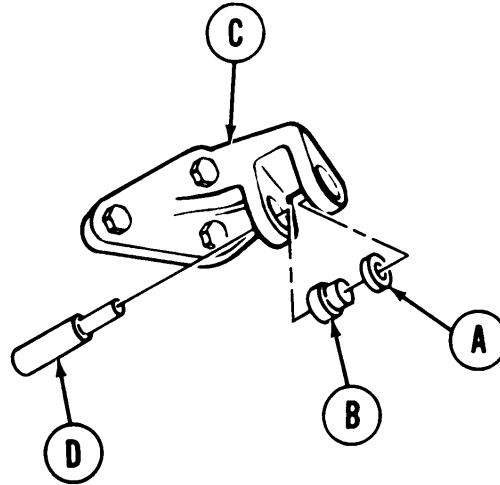


Go on to Sheet 2

## SHOCK ABSORBER UPPER MIDDLE AND REAR MOUNTING BRACKETS REPAIR (Sheet 2 of 2)

### INSTALLATION:

1. Position rear bushing (A) on remover and replacer (B) and align bushing (A) in bracket (C).
2. Position handle (D) through bracket (C) on remover and replacer (B) and, using hammer, drive bushing (A) into bracket (C) until flush with surface.
3. Remove handle (D) and remover and replacer (B).
4. Position forward bushing (E) on remover and replacer (B) and align bushing (E) with bracket (C).
5. Position handle (D) on remover and replacer (B) and, using hammer, drive bushing (E) into bracket (C) until flush with surface.
6. Install shock absorber (page 14-92).



End of Task

**SHOCK ABSORBER LOWER MOUNTING BRACKETS REPLACEMENT (Sheet 1 of 1)**

TOOLS: Cutting torch  
 Welding torch  
 Grinding tool  
 1-1/8 in. socket with 3/4 inch drive  
 Ratchet with 3/4 in. drive

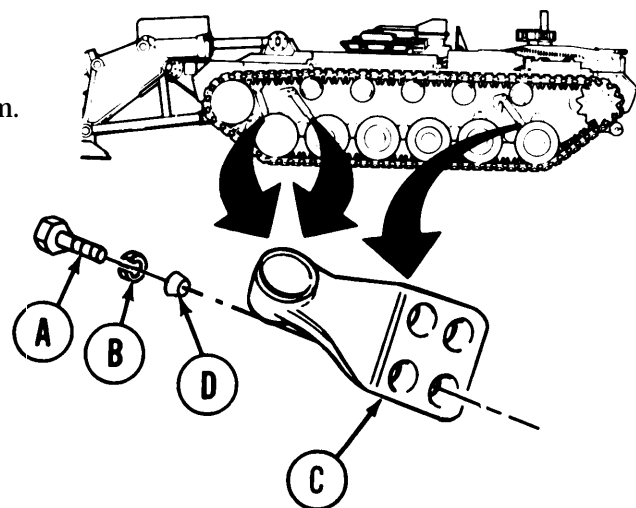
SUPPLIES: Bushing (4 required)

REFERENCES: TM 43-0139  
 TM 5-5420-226-20  
 TM 9-237

PRELIMINARY PROCEDURE: Remove shock absorber (page 14-91)  
 Remove roadwheel assembly (page 14-2)  
 Remove roadwheel arm (page 14-13)

**REMOVAL**

1. Using socket and ratchet, remove four screws (A) and lockwashers (B) securing bracket (C).
2. Using cutting torch, carefully burn away weld securing bracket (C) to roadwheel arm.
3. Remove bracket (C).

**INSTALLATION:**

1. Using grinding tool, remove old weld from roadwheel arm.
2. Install four bushings (D) in bracket (C) mounting holes.
3. Place bracket (C) in position on roadwheel arm and, using socket and ratchet, secure bracket with four screws (A) and lockwashers (B).
4. Using welding torch, weld bracket (C), along all sides, to roadwheel arm in accordance to MIL-STD-1261, class 3 and TM 9-237.
5. Spot paint welded area (TM 43-0139).
6. Install roadwheel arm (page 14-17).
7. Install roadwheel assembly (page 14-5).
8. Install shock absorber (page 14-92).

End of Task

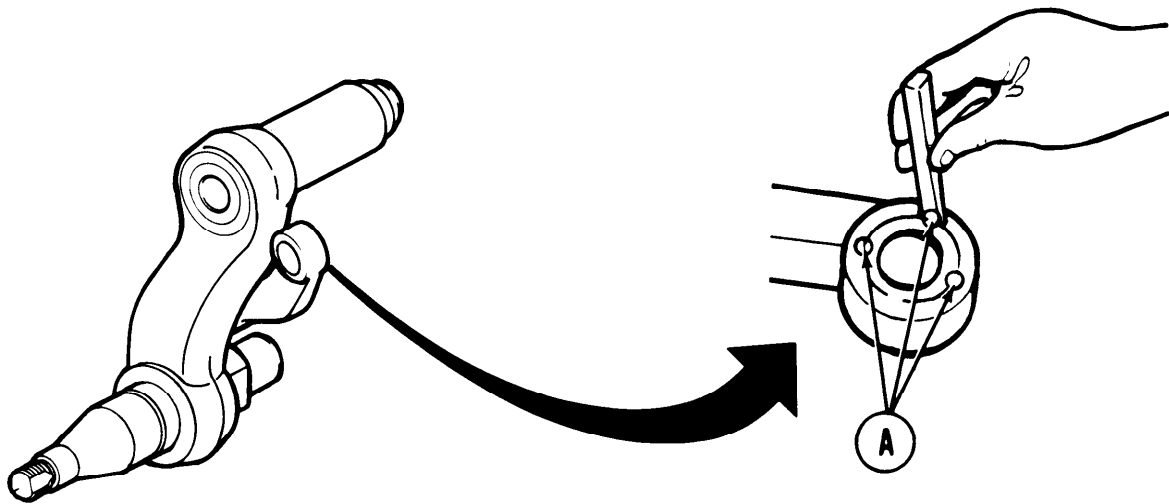
**SHOCK ABSORBER LOWER MOUNTING BRACKETS REPAIR (Sheet 1 of 2)**

TOOLS: Center punch  
Hammer  
Chisel  
1-1/2 in. socket with 3/4 in. drive  
Ratchet with 3/4 in. drive

SPECIAL TOOLS: Remover/Replacer bearing (Item 16, Chapter 3, Section I)  
Handle (Item 11, Chapter 3, Section I)

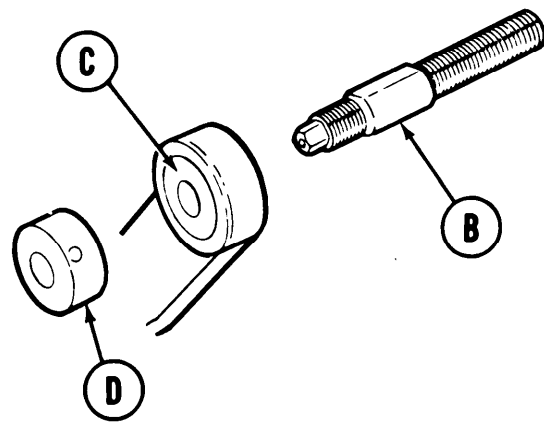
SUPPLIES: Bearing

PRELIMINARY PROCEDURE: Remove roadwheel arm (page 14-13).



**DISASSEMBLY:**

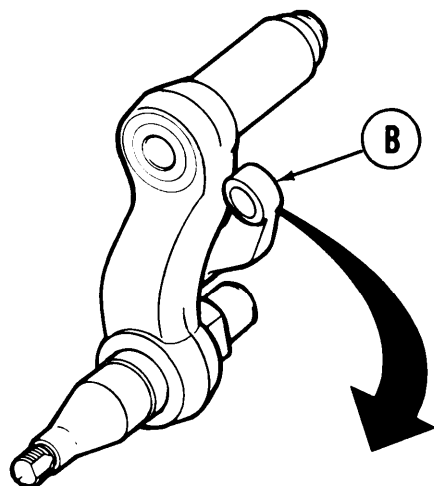
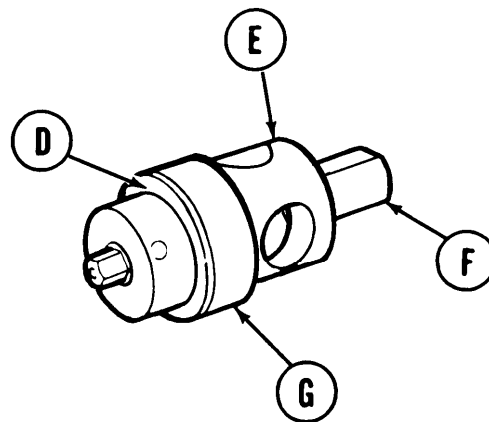
1. Using hammer and chisel, cut off stakes (A) (three places, each side).
2. Put shorter threaded end of screw (B) through bore of bearing (C).
3. Screw base (D) of special tool onto shorter end. Base (D) should mate to one side of bearing (C).



Go on to Sheet 2

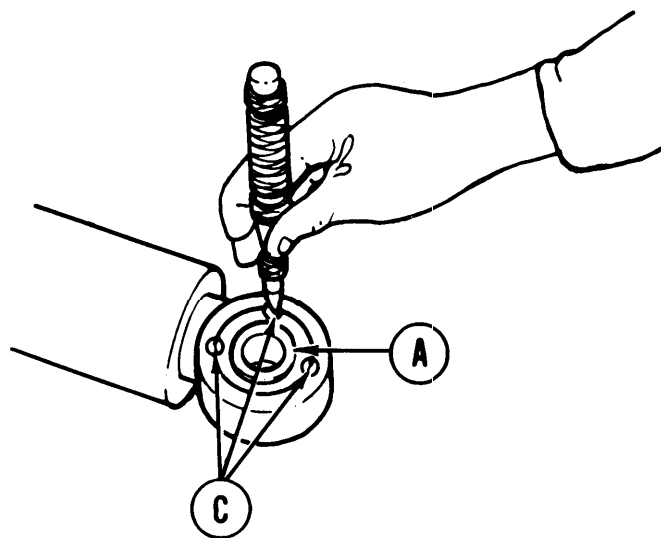
**SHOCK ABSORBER LOWER MOUNTING BRACKETS REPAIR (Sheet 2 of 2)**

4. Position remover (E) onto longer threaded end of screw. Remover (E) should mate to surface of bearing (D).
5. Screw nut (F) onto longer end until it mates with remover (E).
6. Using socket and ratchet, turn nut (F) to force bearing (D) out of bracket (G).
7. Discard bearing (D).



**ASSEMBLY:**

1. Using special tool as shown, install new bearing (A) in bracket (B).
2. Using hammer and center punch, stake bearing (C) (three places, each side) to hold bearing (C) in place.
3. Install roadwheel arm (page 14-17).



End of Task



**CHAPTER 15**  
**STEERING CONTROL MAINTENANCE**

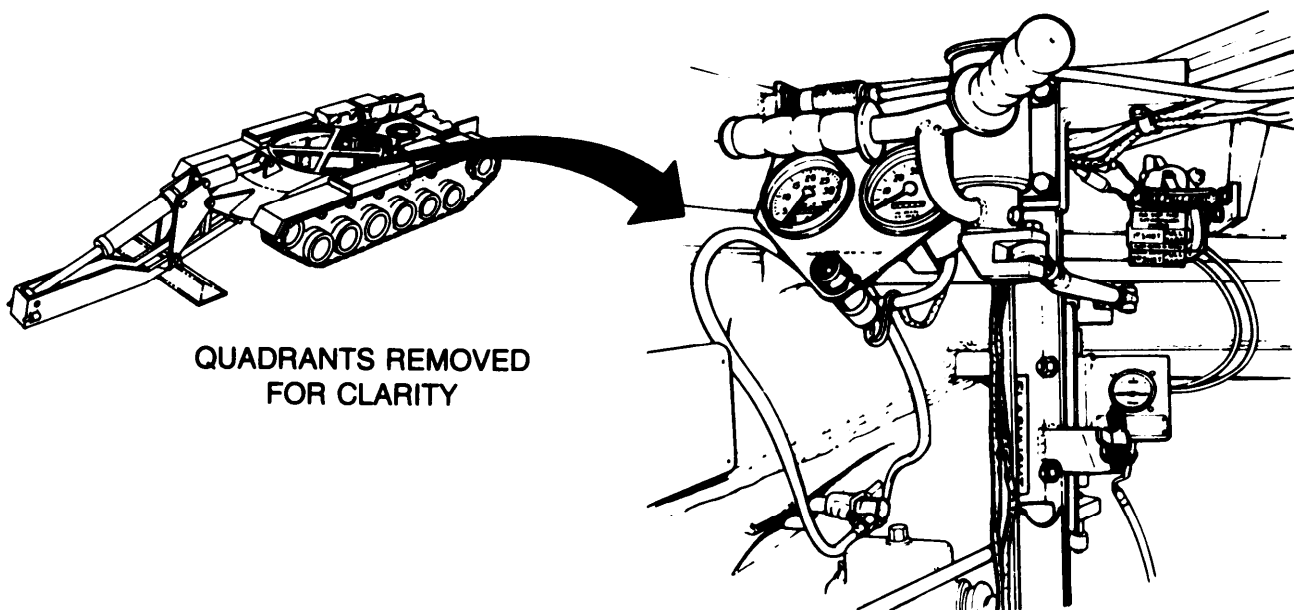
**INDEX**

Procedure	Page
Steering Control Handle Assembly Replacement . . . . .	15-2
Steering Control Handle, Mount and Sleeve Replacement . . . . .	15-4
Steering Control Rod Replacement . . . . .	15-6
Steering Control Lever Assembly Replacement . . . . .	15-9
Front Steering Control Tube Replacement . . . . .	15-13
Steering Control Clevis and Stud Replacement . . . . .	15-16
Steering Control to Transmission Shaft Connecting Link Replacement . .	15-19
Link Assembly Replacement . . . . .	15-21
Connecting Link Replacement . . . . .	15-24
Rod End Replacement . . . . .	15-26
Steering Control Bracket Replacement. . . . .	15-27
Steering Control Extension Stud Replacement. . . . .	15-29
Steering Control Linkage Adjustment . . . . .	15-31

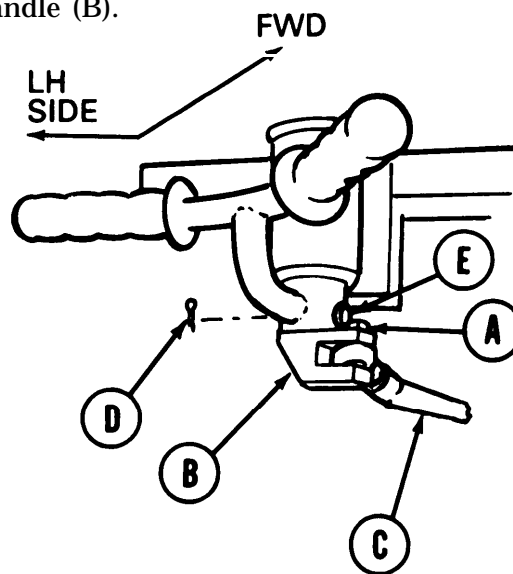
STEERING CONTROL HANDLE ASSEMBLY REPLACEMENT (Sheet 1 of 2)

TOOLS: 9/16 in. combination box and open end wrench  
Hammer  
Slip joint pliers  
1/8 in. drive punch

REFERENCE: TM 5-5420-226-10



1. Using 9/16 inch wrench, remove bolt (A) from handle (B).
2. Push rod (C) to one side.
3. Using slip joint pliers, remove cotter pin (D).
4. Using hammer and punch, remove pin (E).
5. Remove handle (B).



Go on to Sheet 2

TA169362

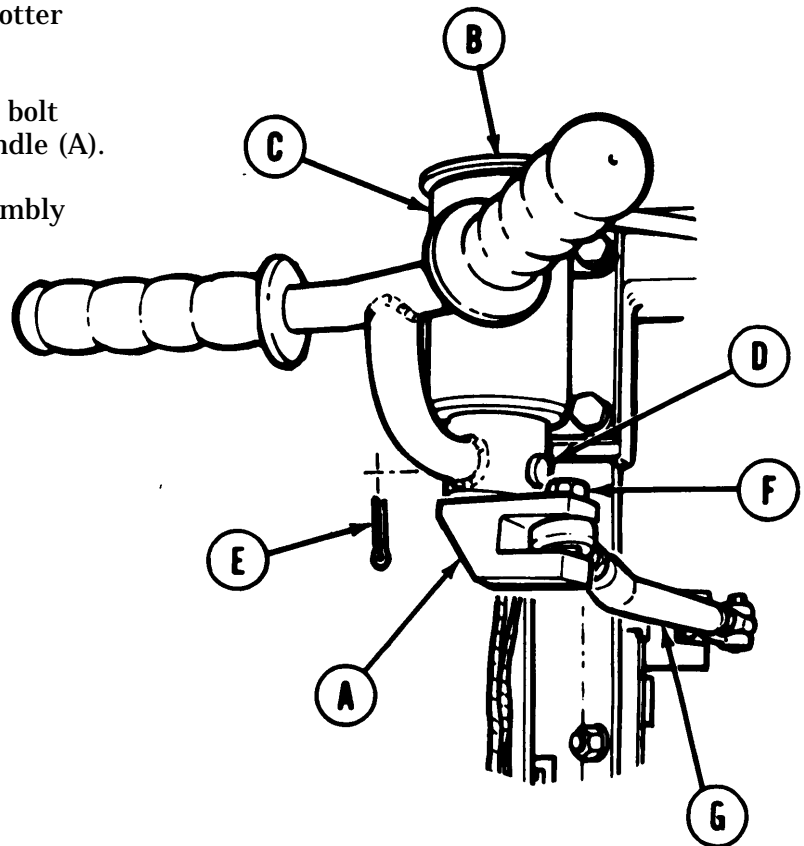


**STEERING CONTROL HANDLE ASSEMBLY REPLACEMENT (Sheet 2 of 2)**

INSTALLATION:

1. Install handle (A) on sleeve (B) of mount (C).
2. Aline holes in sleeve (B) and handle (A).
3. Using hammer and punch, install pin (D).
4. Using slip joint pliers, install cotter pin (E) in pin (D).
5. Using 9/16 inch wrench, install bolt (F) through rod end (G) into handle (A).
6. Check operation of handle assembly (TM 5-5420-226-10).

End of Task

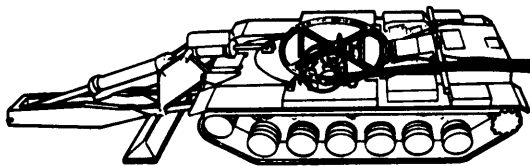


STEERING CONTROL HANDLE, MOUNT AND SLEEVE REPLACEMENT (Sheet 1 of 2)

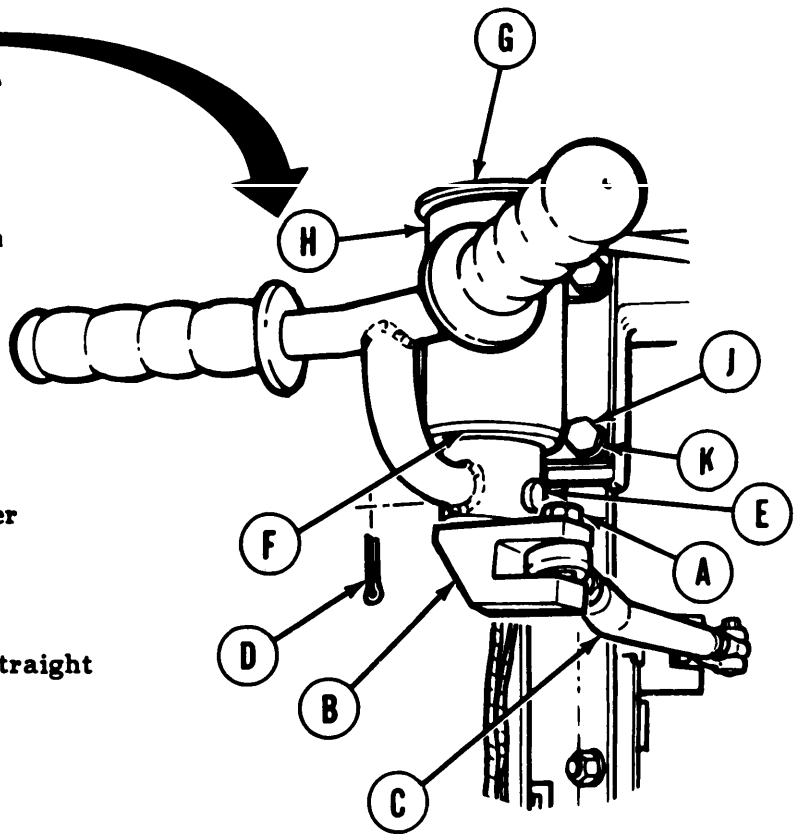
TOOLS: 9/16 in. open end wrench  
Hammer  
1/8 in. drive punch  
Slip joint pliers  
Snap ring pliers

REMOVAL:

QUADRANTS REMOVED  
FOR CLARITY



1. Using wrench, remove bolt (A) from clevis of handle (B).
2. Push rod (C) to one side.
3. Using slip joint pliers, remove cotter pin (D) from straight pin (E).
4. Using hammer and punch, remove straight pin (E) from handle (B).
5. Remove handle (B) from vehicle.



6. Using snap ring pliers, remove retaining ring (F). Remove sleeve (G) from mount (H).
7. Using wrench, remove four screws (J) and lockwashers (K). Remove mount (H).

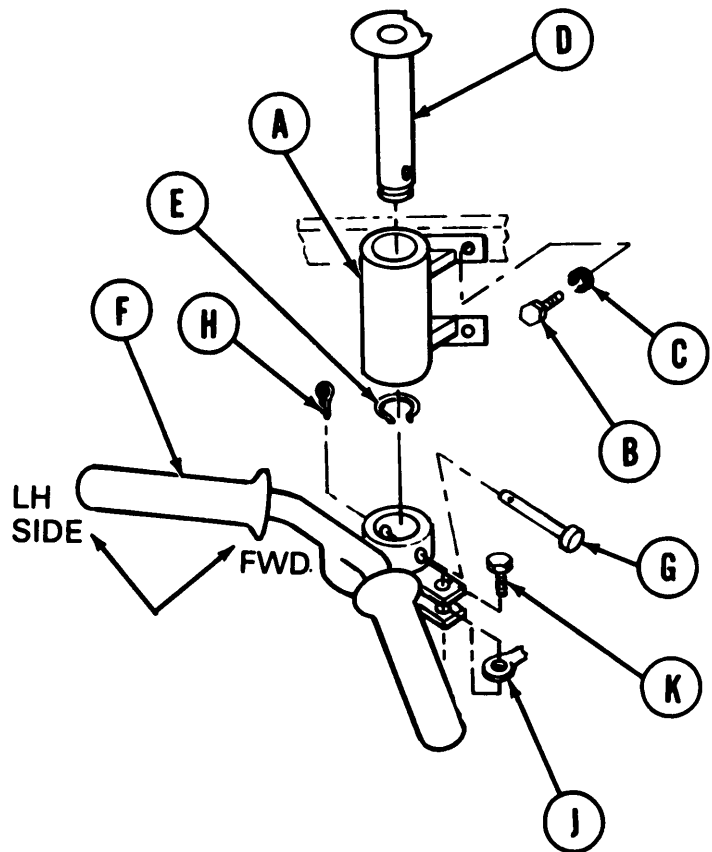
Go on to Sheet 2

TA169364

**STEERING CONTROL HANDLE, MOUNT AND SLEEVE REPLACEMENT (Sheet 2 of 2)**

INSTALLATION:

1. Using wrench, secure mount (A) to mounting block with four screws (B) and lockwashers (C).
2. Install sleeve (D) in mount (A).
3. Using snap ring pliers, install retaining ring (E) on sleeve (D).
4. Install all handle (F) over sleeve (D).
5. Line up holes in sleeve (D) and handle (F).
6. Install all pin (G) in handle (F) and sleeve (D).
7. Using slip joint pliers, install cotter pin (H) through straight pin (G).
8. Insert rod end (J) into clevis of handle (F).
9. Using wrench, install screw (K) to secure rod end (J) to handle (F).
10. Check operation of handle assembly (TM 5-5420-226-10).



End of Task

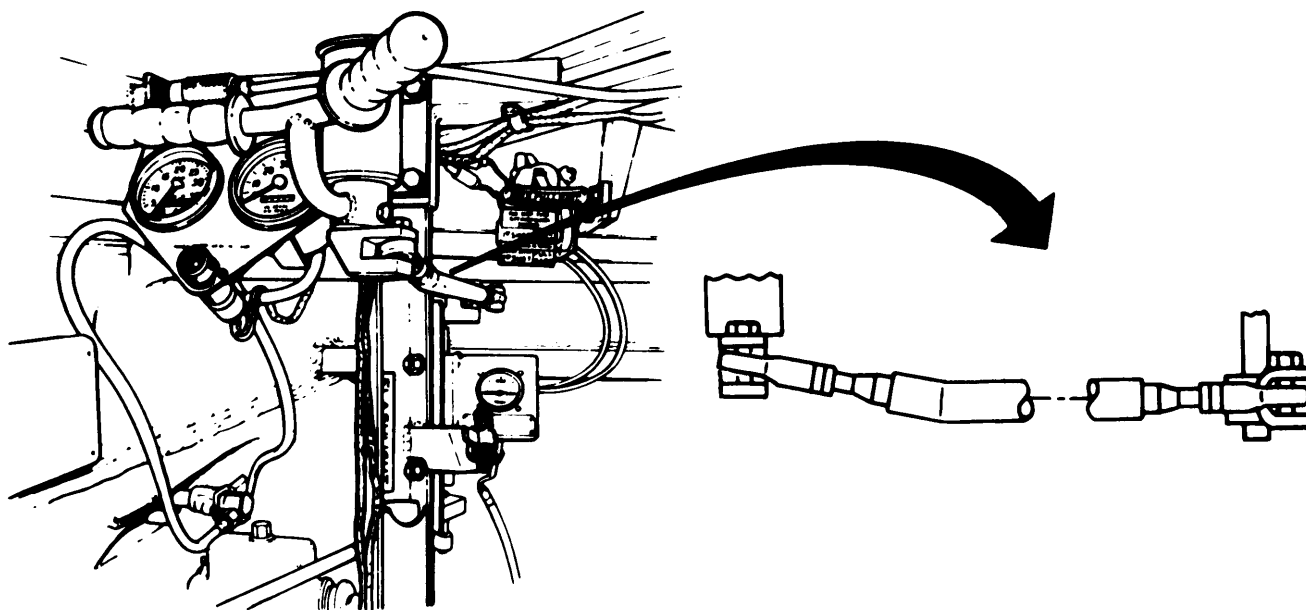
TA169365

STEERING CONTROL ROD REPLACEMENT (Sheet 1 of 3)

TOOLS: 9/16 in. combination box and open end wrench (2 required)  
Rule  
Torque wrench with 1/2 in. drive (0-200 lb-in.)  
9/16 in. crowfoot adapter with 3/8 in. drive

SUPPLIES: Paper  
Pencil

REFERENCE: TM 5-5420-226-10

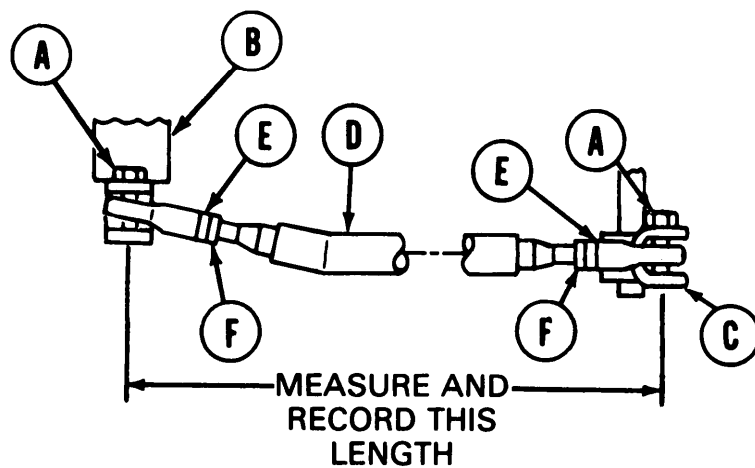


Go on to Sheet 2

TA169366

**STEERING CONTROL ROD REPLACEMENT (Sheet 2 of 3)****REMOVAL:**

1. Using 9/16 inch wrench, remove bolt (A) from steering control handle (B).
2. • Using 9/16 inch wrench, remove bolt (A) from link (C).
3. Remove rod (D).
4. Using steel tape, measure center-to-center distance of holes in rod ends (E).
5. Using pencil and paper, write down center-to-center distance.



6. Using 9/16 inch wrench to hold rod ends (E), use another 9/16 inch wrench to loosen jamnuts (F).
7. Using 9/16 inch wrench, remove rod ends (E) and jamnuts (F).

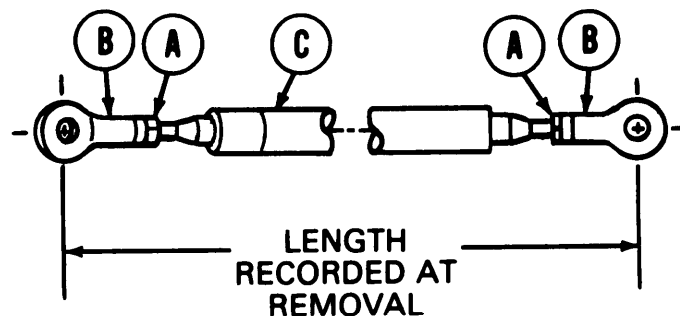
Go on to Sheet 3

TA169367

STEERING CONTROL ROD REPLACEMENT (Sheet 3 of 3)

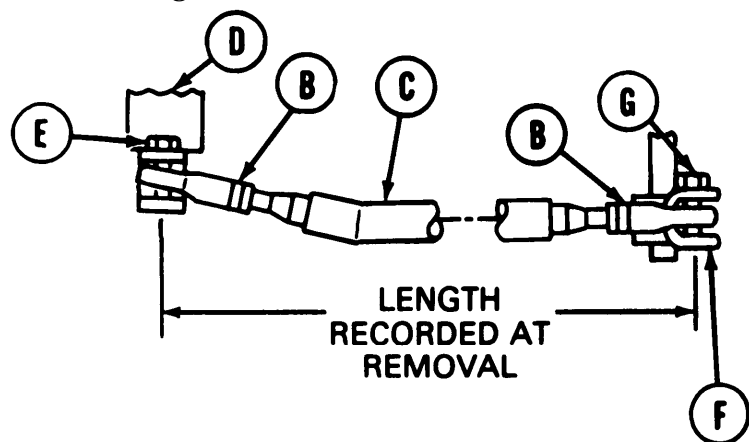
INSTALLATION:

1. Using 9/16 inch wrench, install jamnuts (A) and rod ends (B) on rod (C).
2. Using 9/16 inch wrench and steel tape, obtain measurement between centers of holes in rod ends (B).
3. Using torque wrench and crowfoot adapter, tighten nuts (A) against rod ends (B) to a minimum torque of 192 lb-in. (22 N m).



4. Position rod end (B) in steering control handle (D).
5. Using 9/16 inch wrench, install bolt (E) in steering control handle (D).

6. Position other rod end (B) in link (F).



7. Using 9/16 inch wrench, install bolt (G) in link (F).

8. Test operation of steering control rod (C) linkage (TM 5-5420-226-10).

End of Task

TA169368

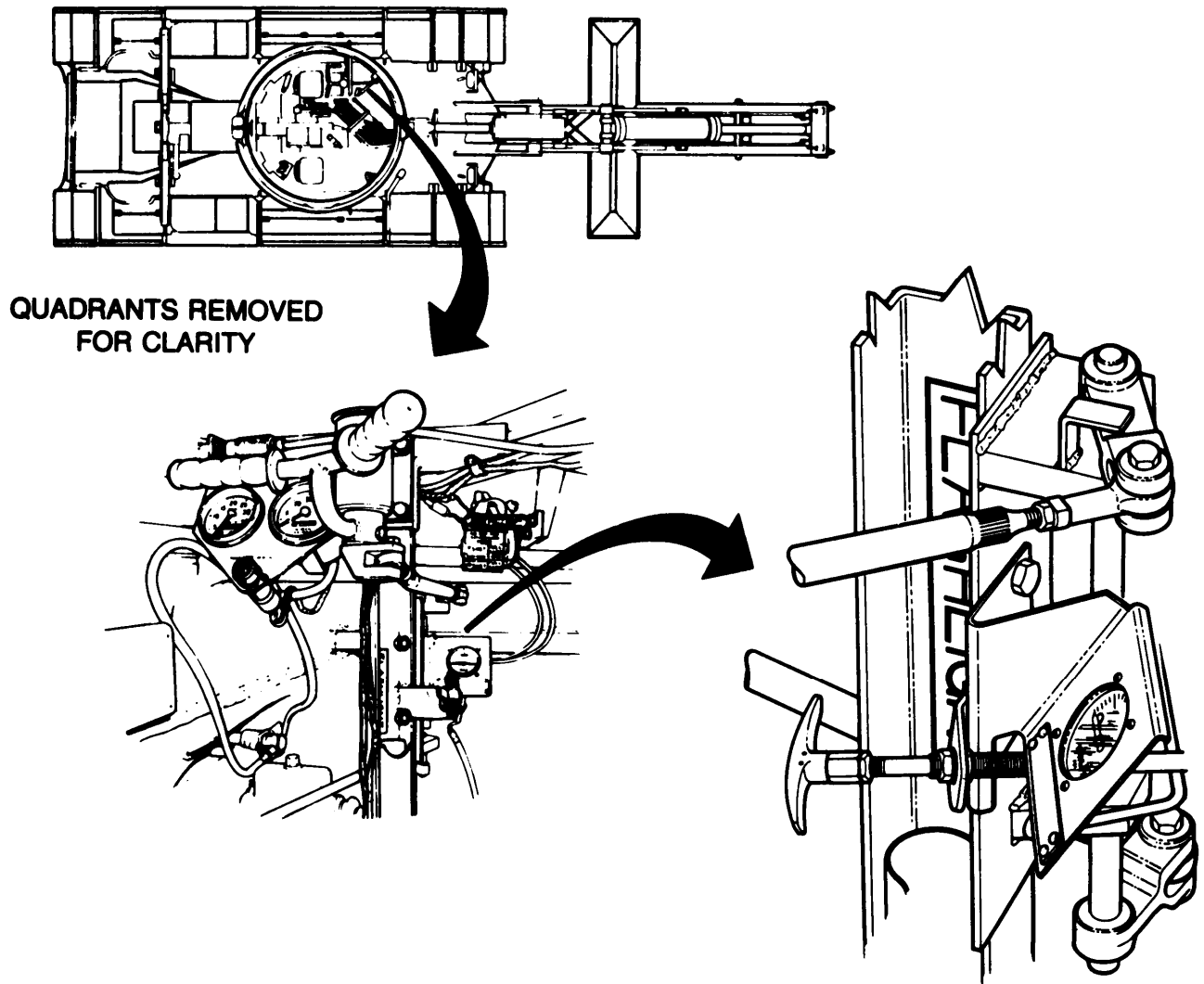
STEERING CONTROL LEVER ASSEMBLY REPLACEMENT (Sheet 1 of 4)

PROCEDURES INDEX

PROCEDURES	PAGE
Removal	15-9
Installation	15-12

TOOLS: 3/4 in. combination box and open end wrench (two required)  
 9/16 in. combination box and open end wrench

REFERENCE: TM 5-5420-226-10

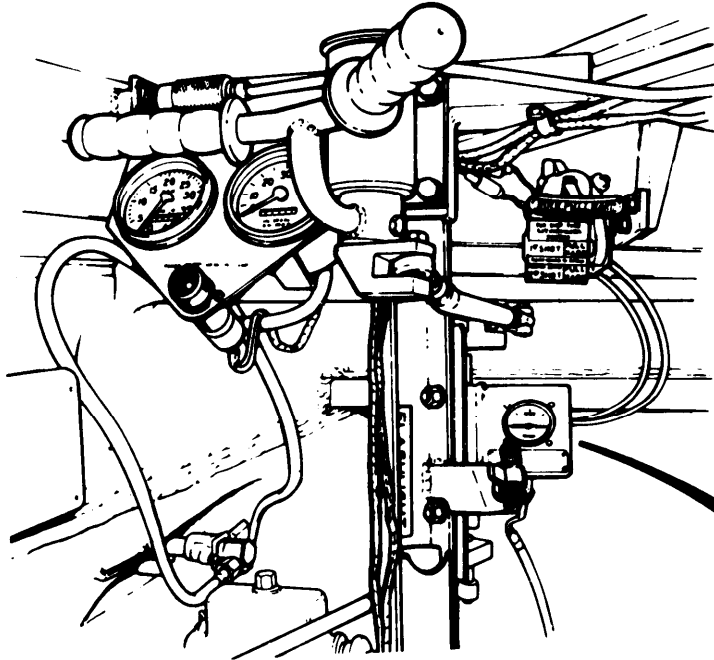


Go on to Sheet 2

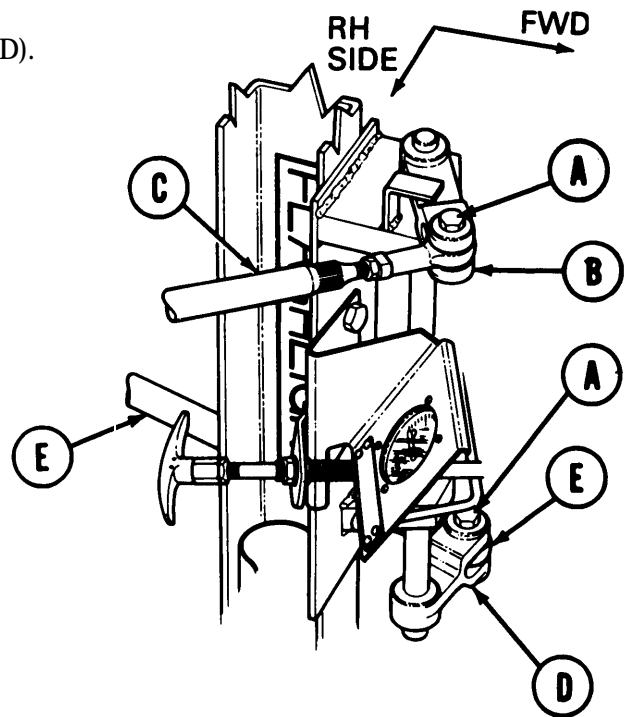
TA169369

STEERING CONTROL LEVER ASSEMBLY REPLACEMENT (Sheet 2 of 4)

REMOVAL:



1. Using 9/16 inch wrench, remove bolt (A) from link (B).
2. Push rod (C) to one side.
3. Using 9/16 inch wrench, remove bolt (A) from link (D).
4. Push rod (E) to one side.



Go on to Sheet 3

TA169370

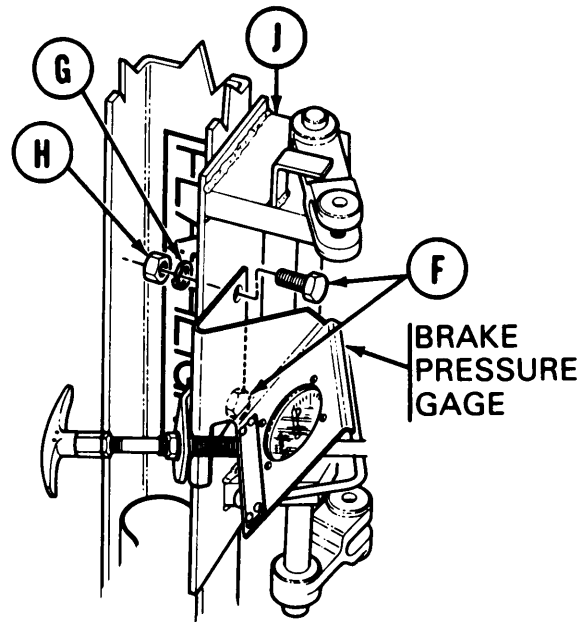


STEERING CONTROL LEVER ASSEMBLY REPLACEMENT (Sheet 3 of 4)

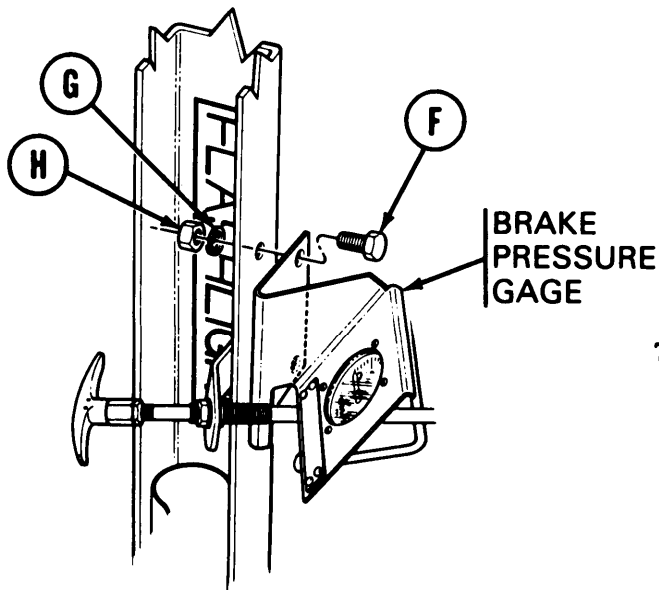
- Using two 3/4 inch wrenches, remove two bolts (F), lockwasher (G), and nuts (H).

NOTE

Brake pressure gage is mounted in bracket and held by bolts (F). Support bracket when removing lever assembly (J).



- Remove lever assembly (J).



- Install one bolt (F), washer (G), and nut (H) finger tight to support gage bracket.

Go on to Sheet 4

TA169371

STEERING CONTROL LEVER ASSEMBLY REPLACEMENT (Sheet 4 of 4)

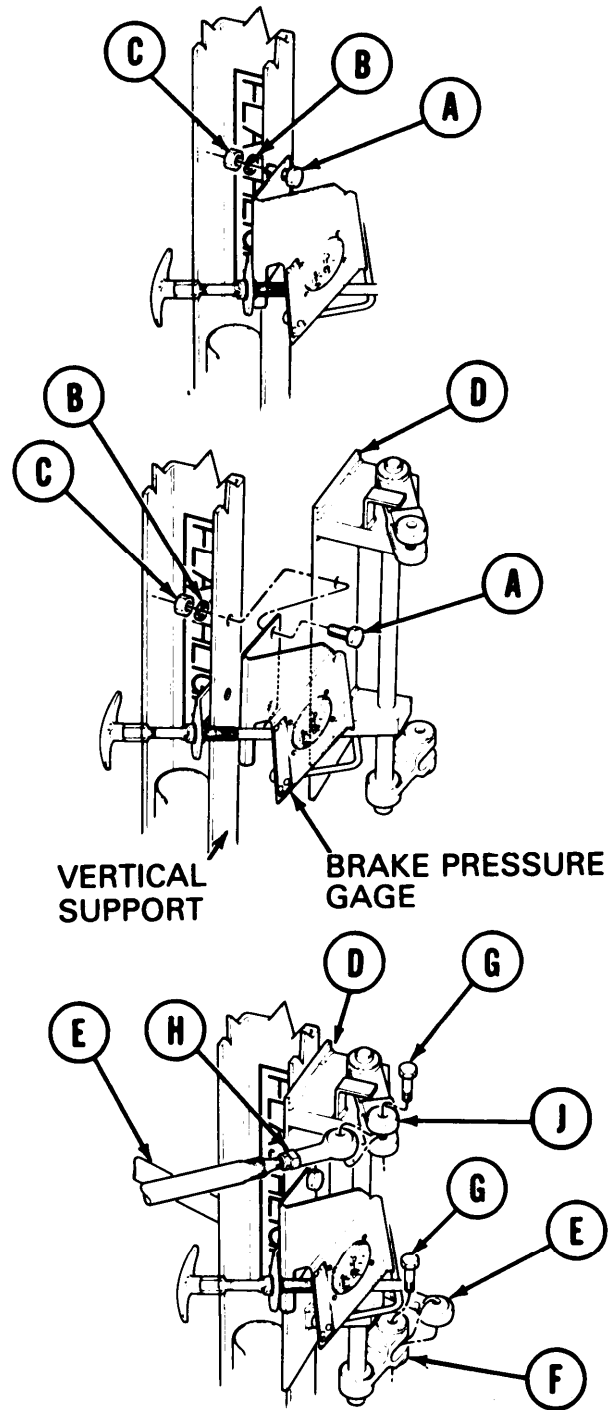
INSTALLATION:

1. Remove bolt (A), lockwasher (B), and nut (C) which support gage bracket.

NOTE

**Tie up bracket to support it while lever assembly is being installed.**

2. Aline holes in lever assembly (D) with holes in vertical support.
3. Using two 3/4 inch wrenches, install two bolts (A), lockwashers (B), and nuts (C) through gage bracket, lever assembly (D), and vertical support.
4. Aline end of rod (E) in link (F).
5. Using 9/16 inch wrench, install bolt (G) in link (F).
6. Aline end of rod (H) in link (J).
7. Using 9/16 inch wrench, install bolt (G) in link (J).
8. Test operation of lever assembly (D) linkage (TM 5-5420-226-10).



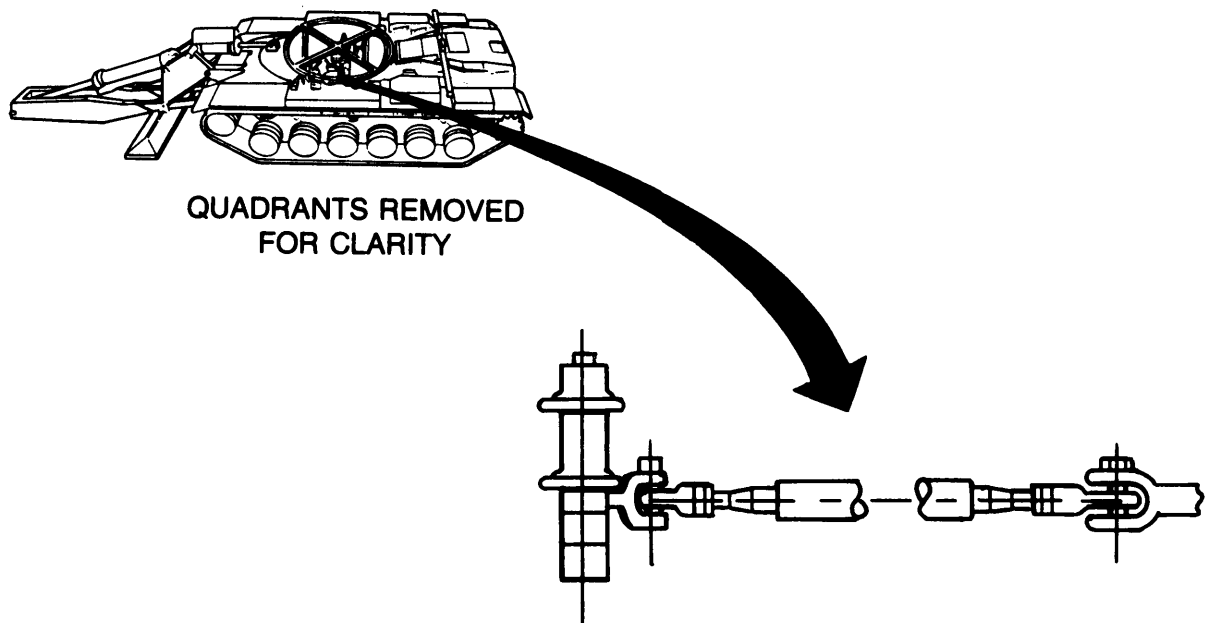
End of Task

**FRONT STEERING CONTROL TUBE REPLACEMENT (Sheet 1 of 3)**

**TOOLS:** 9/16 in. combination box open end wrench (2 required)  
Rule  
Torque wrench with 3/8 in. drive (0-200 lb-in)  
9/16 in. crowfoot adapter with 3/8 in. drive

**SUPPLIES:** Paper  
Pencil

**REFERENCE:** TM5-5420-226-10

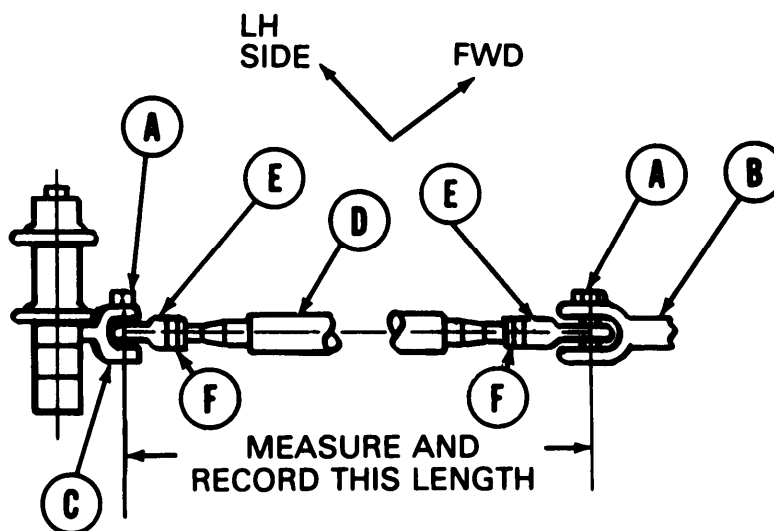


Go on to Sheet 2

TA169373

FRONT STEERING CONTROL TUBE REPLACEMENT (Sheet 2 of 3)

REMOVAL:



1. Using 9/16 inch wrench, remove bolt (A) from link (B).
2. Using 9/16 inch wrench, remove bolt (A) from link (C).
3. Remove tube (D).
4. Using steel rule, measure center-to-center distance of holes in rod ends (E).
5. Using pencil and paper, write down center-to-center distance.
6. Using 9/16 inch wrench to hold rod ends (E), use 9/16 inch wrench to loosen jamnuts (F).
7. Using 9/16 inch wrench, remove rod ends (E) and jamnuts (F).

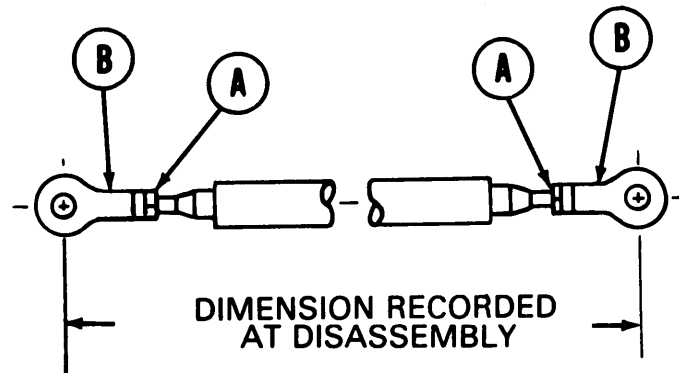
Go on to Sheet 3

TA169374

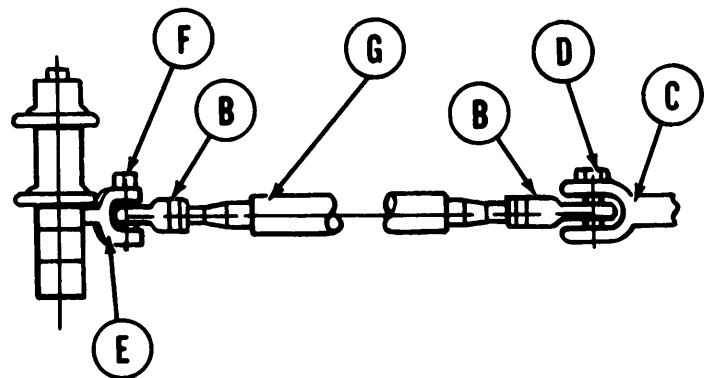
**FRONT STEERING CONTROL TUBE REPLACEMENT (Sheet 3 of 3)**

**INSTALLATION:**

1. Using 9/16 inch wrench, install jamnuts (A) and rod ends (B) on rod.
2. Using steel tape, measure between centers of holes in rod ends (B).
3. Using 9/16 inch wrench, turn rod ends (B) until recorded measurement is obtained.
4. Using torque wrench and crowfoot adapter, tighten jamnut (A) against rod ends (B) to a minimum torque of 192 lb-in, (22 N m).



5. Aline rod end (B) in link (C).
6. Using 9/16 inch wrench, install bolt (D) in link (C).
7. Aline other rod end (B) in link (E).
8. Using 9/16 inch wrench, install bolt (F) in link (E).
9. Test operation of front steering control tube (G) in linkage (TM 5-5420-226-10).



End of Task

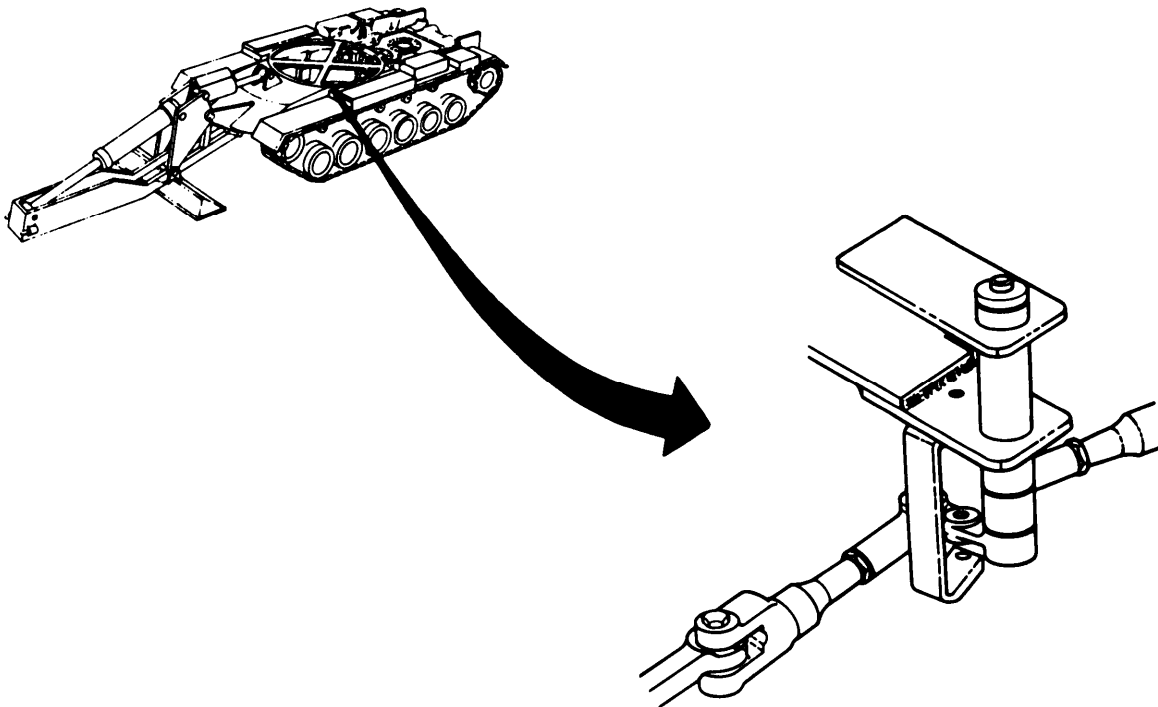
**STEERING CONTROL CLEVIS AND STUD REPLACEMENT (Sheet 1 of 3)**

**TOOLS:** 9/16 in. combination box open end wrench (2 required)  
Rule  
Torque wrench with 3/8 in. drive (0-200 lb. in.)  
9/16 in. crowfoot adapter with 3/8 in. drive

**SUPPLIES:** Paper  
Pencil

**REFERENCE:** TM 5-5420-226-10

**QUADRANTS REMOVED  
FOR CLARITY**

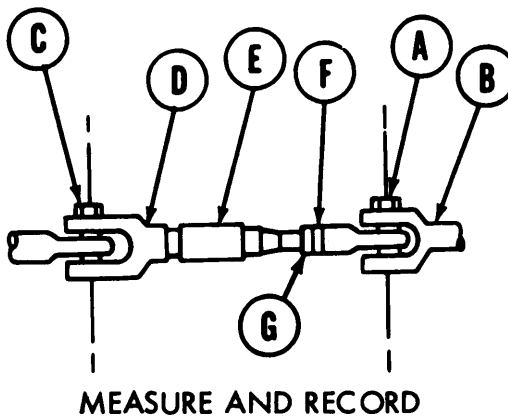


Go on to Sheet 2

TA169376

## STEERING CONTROL CLEVIS AND STUD REPLACEMENT (Sheet 2 of 3)

## REMOVAL:



1. Using 9/16 inch wrench, remove bolt (A) from link (B).
2. Using 9/16 inch wrench, remove bolt (C) from clevis (D).
3. Remove rod (E).
4. Using rule, measure center to center distance of holes in rod end (F) and clevis (D).
5. Using pencil and paper, write down center to center distance.
6. Using 9/16 inch wrench to hold rod end (F), use another 9/16 inch wrench to loosen jamnut (G).
7. Using 9/16 inch wrench, remove rod end (F) and jamnut (G).

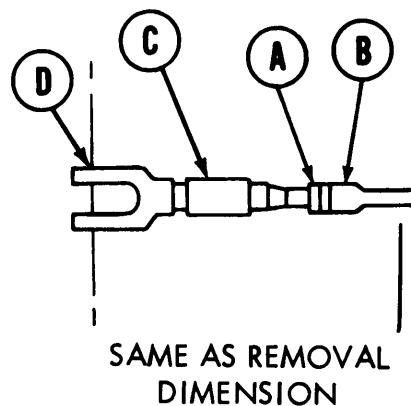
Go on to Sheet 3

TA165377

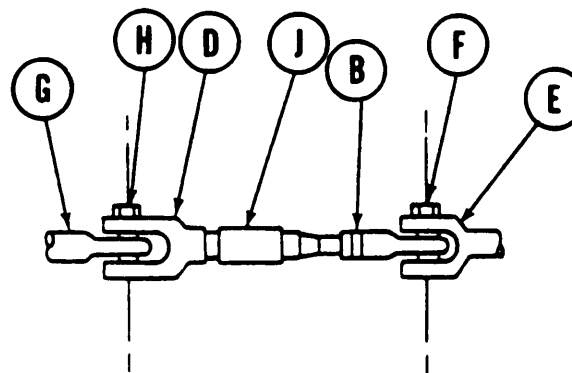
STEERING CONTROL CLEVIS AND STUD REPLACEMENT (Sheet 3 of 3)

INSTALLATION:

1. Using 9/16 inch wrench, install jamnut (A) and rod end (B) on rod (C).
2. Using steel tape, measure between center of hole in rod end (B) and center of hole in clevis (D).
3. Using 9/16 inch wrench, turn rod end (B) to obtain same dimension recorded at removal.
4. Using torque wrench and crowfoot adapter, tighten jamnut (A) against rod end (B) to a minimum torque of 16-18 lb-in. (21.7-24.4 N m).



5. Aline rod end (B) in link (E).
6. Using 9/16 inch wrench, install bolt (F) in link (E).
7. Aline rod end (G) in clevis (D).
8. Using 9/16 inch wrench, install bolt (H) in clevis (D).
9. Test operation of clevis (D) and stud (J) linkage (TM 5-5420-226-10).



End of Task

TA169378

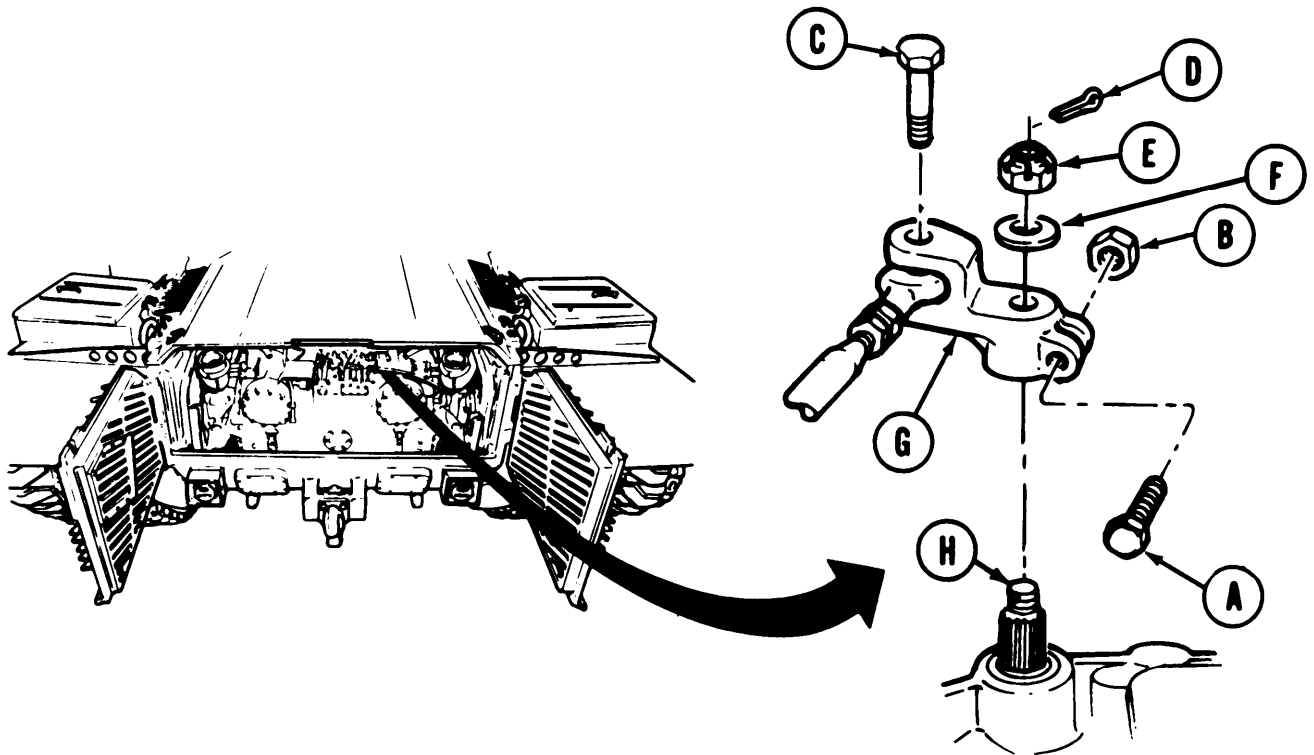


**STEERING CONTROL TO TRANSMISSION SHAFT CONNECTING LINK REPLACEMENT  
(Sheet 1 of 2)**

**TOOLS:** Torque wrench with 1/2 in. drive (0-175 lb-ft)  
Slip joint pliers  
9/16 in. socket with 1/2 in. drive  
9/16 in. open end wrench (2 required)

**SUPPLIES:** Cotter pin

**PRELIMINARY PROCEDURES:** Remove transmission shroud (page 9-2)  
Remove top deck (page 16-21)



**REMOVAL:**

1. Using wrenches on bolt (A) and nut (B), remove nut (B) and bolt (A).
2. Using wrench on screw (C), remove screw (C).
3. Using pliers, remove cotter pin (D). Throw cotter pin (D) away.
4. Using wrench on nut (E), remove nut (E) and washer (F).
5. Remove link (G) from transmission stud (H).

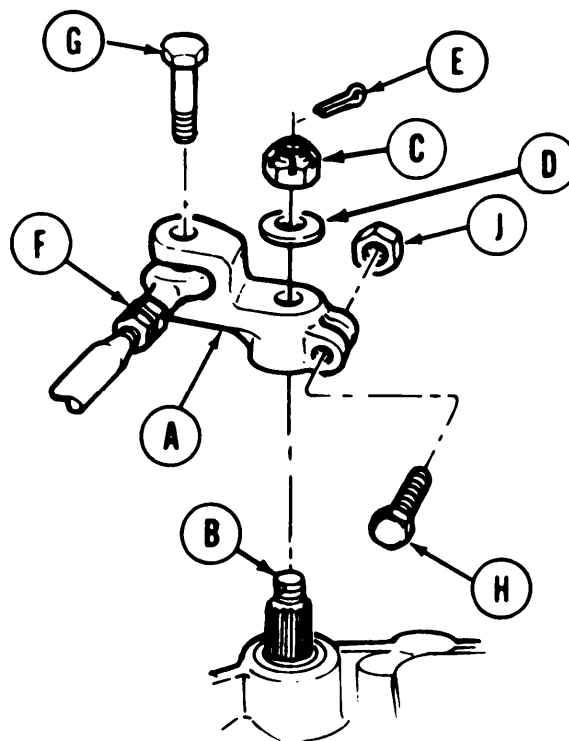
Go on to Sheet 2

TA169379

**STEERING CONTROL TO TRANSMISSION SHAFT CONNECTING LINK REPLACEMENT**  
(Sheet 2 of 2)

INSTALLATION:

1. Position link (A) over stud (B) with blind splines alined.
2. Using wrench, install nut (C) and washer (D) on stud (B). Using socket and torque wrench tighten nut (C) to 15-20 lb-ft (20-27 N m).
3. Using pliers, install new cotter pin (E) through nut (C) and stud (B).
4. Position rod end (F) in link (A).
5. Using wrench, install screw (G). Using socket and torque wrench, tighten screw (G) to 15-20 lb-ft (20-27 N m).
6. Using socket and wrench on bolt (H) and nut (J), install bolt (H) and nut (J) on link (A).
7. Install transmission shroud (page 9-6).
8. Install top deck (page 16-23).

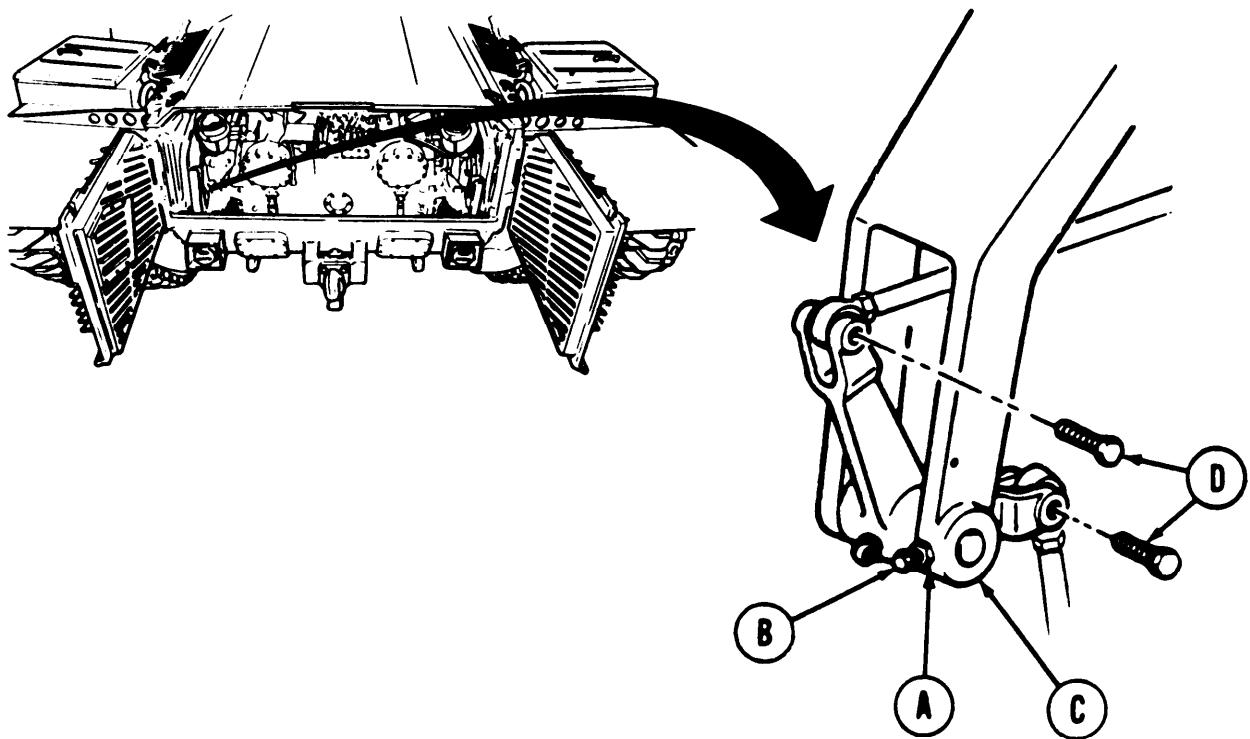


End of Task

**LINK ASSEMBLY REPLACEMENT (Sheet 1 of 3)**

**TOOLS:** 1/4 in. pin punch  
 9/16 in. socket with 1/2 in. drive  
 7/16 in. open end wrench  
 Hammer  
 Ratchet with 1/2 in. drive  
 Torque wrench with 1/2 in. drive (0-175 lb-ft)  
 3/8 in. open end wrench  
 1/8 in. allen wrench

**PRELIMINARY PROCEDURES:** Remove transmission shroud (page 9-2)  
 Remove top deck (page 16-21)

**REMOVAL:**

1. Using 7/16 inch wrench, loosen locknut (A).
2. Using allen wrench, remove setscrew (B) and nut (A) from connecting bracket (C).
3. Using 9/16 inch socket, remove two bolts (D).

Go on to Sheet 2

TA169381

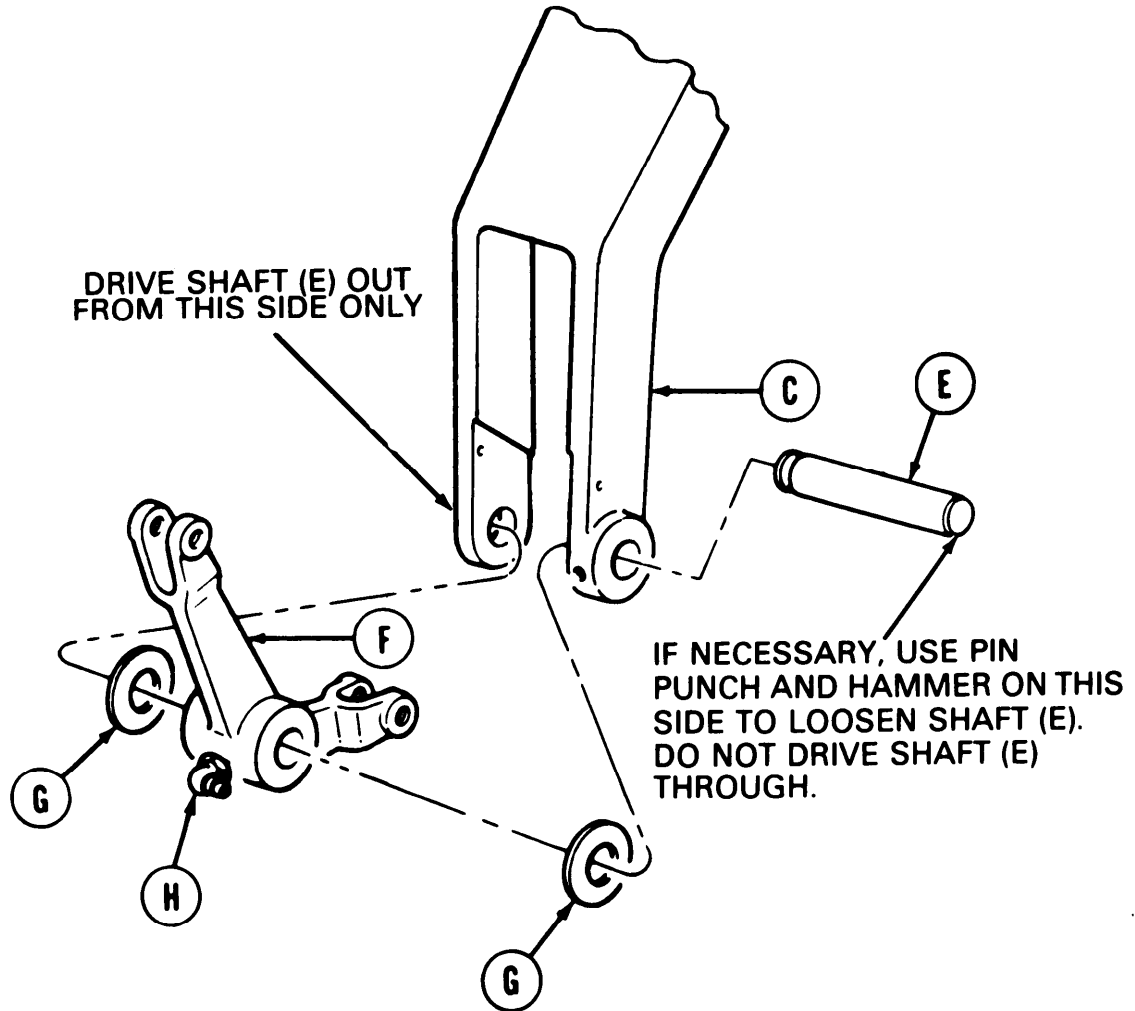
LINK ASSEMBLY REPLACEMENT (Sheet 2 of 3)

- Using hammer and pin punch, remove shaft (E) from bracket (C) and link (F).

**CAUTION**

**Support link (F) with free hand to prevent link (F) from falling under transmission.**

- Remove link (F) and washers (G) from link (C).



- Using 3/8 inch open end wrench, remove grease fitting (H) from link (F).

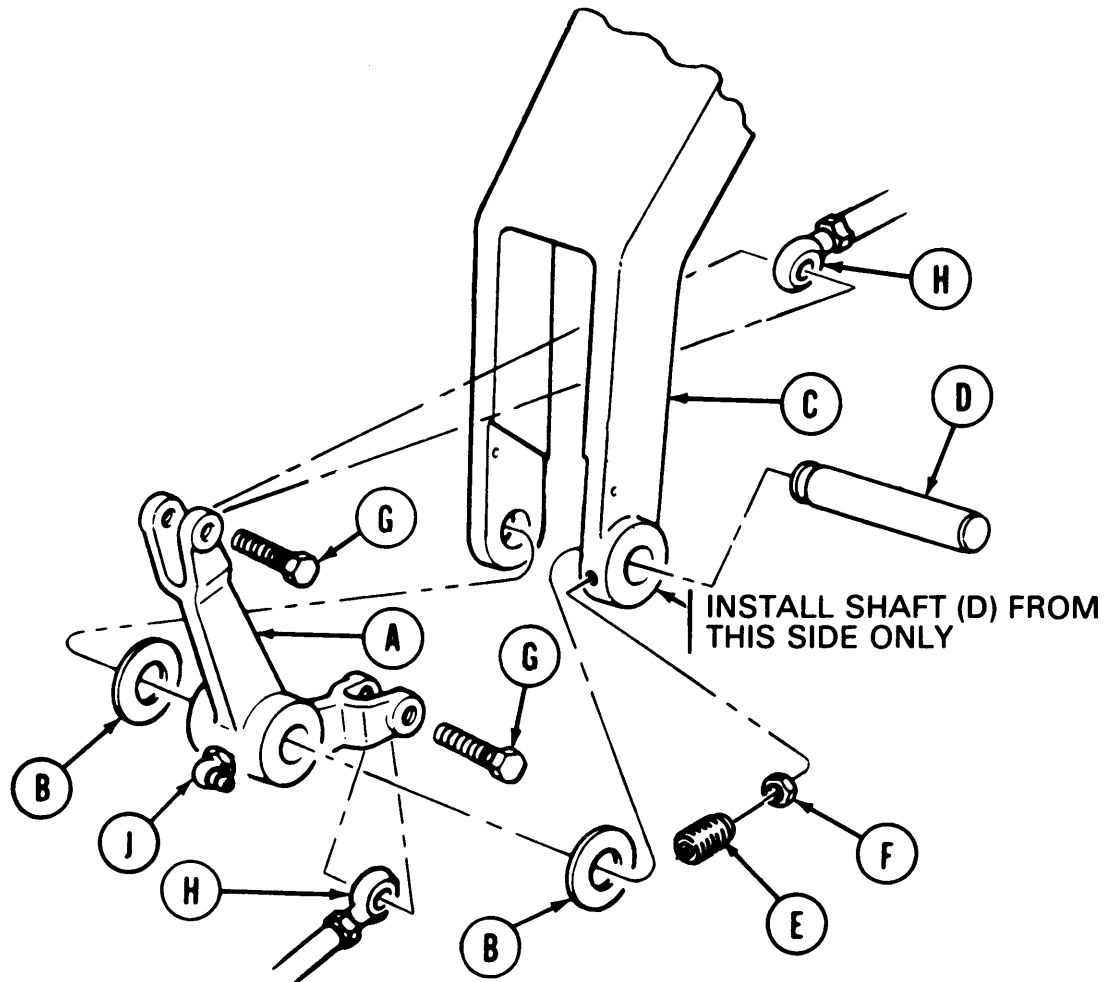
Go on to Sheet 3

TA169382

**LINK ASSEMBLY REPLACEMENT (Sheet 3 of 3)**

**INSTALLATION:**

1. Position link (A) and two washers (B) in connecting link bracket (C).
2. Using hammer, drive shaft (D) through bracket (C), washers (B), and link (A) until shaft (D) is flush with bracket (C).



3. Using allen wrench, install setscrew (E) and nut (F) into bracket (C). Using 7/16 inch wrench to hold nut (F), tighten setscrew (E) into groove of shaft (D). Tighten nut (F) against bracket (C).
4. Using 9/16 inch socket, install two bolts (G) through link (A) and rod end bearings (H). Using torque wrench, tighten bolts (G) to 15-30 lb-ft (22-27 N m).
5. Using 3/8 inch wrench, install grease fitting (J) into link (A).
6. Install transmission shroud (page 9-6).
7. Install top deck (page 16-23).

End of Task

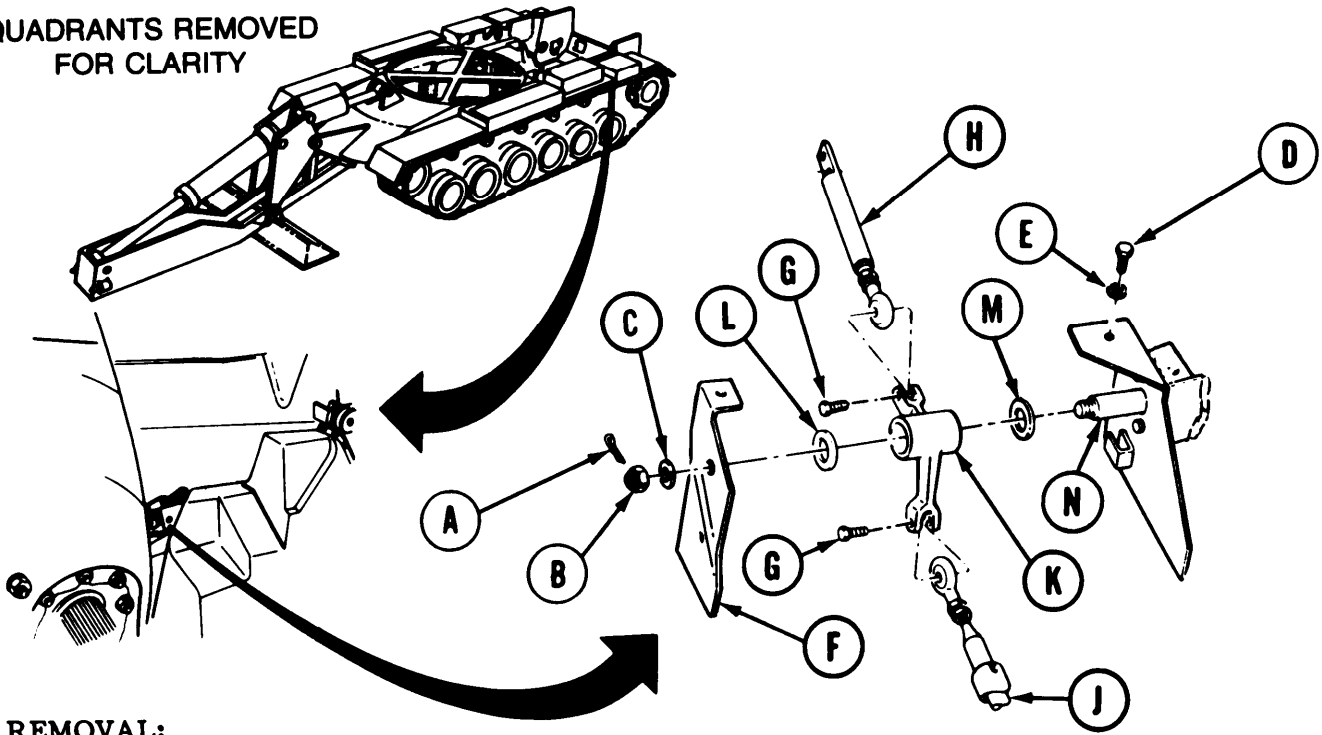
TA169383

CONNECTING LINK REPLACEMENT (Sheet 1 of 2)

TOOLS: Pliers, slip joint  
7/16 in. box wrench  
3/4 in. box wrench  
9/16 in. box wrench

PRELIMINARY PROCEDURE: Remove powerplant (page 5-2)

QUADRANTS REMOVED  
FOR CLARITY



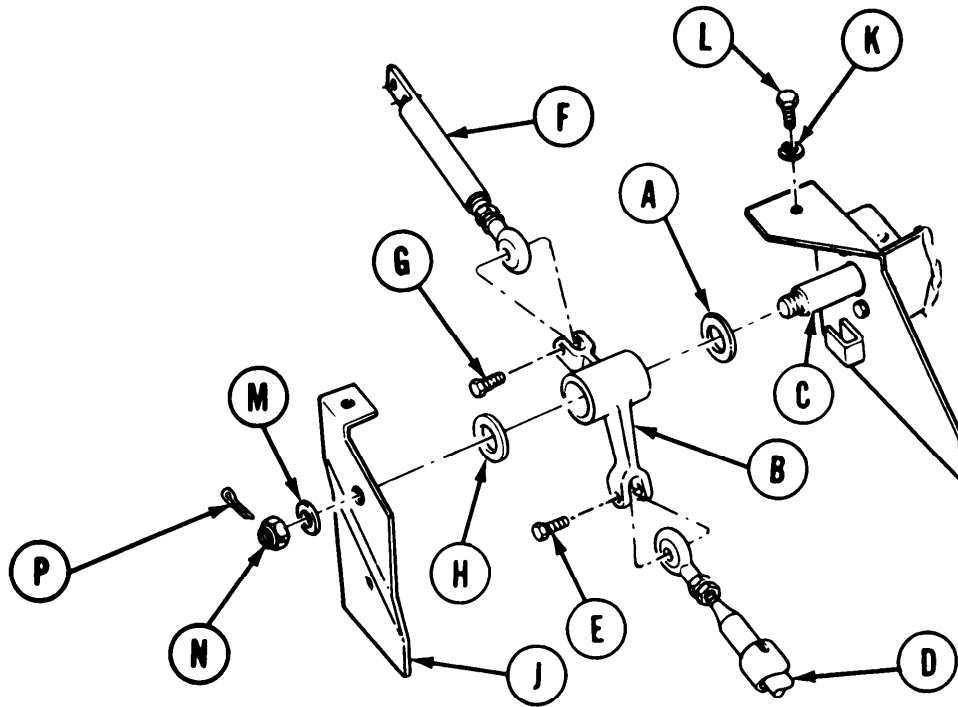
REMOVAL:

1. Using pliers, remove cotter pin (A).
2. Using 3/4 inch wrench, remove nut (B) and washer (C).
3. Using 7/16 inch wrench, remove screw (D) and washer (E)
4. Remove shield (F).
5. Using 9/16 inch wrench, remove two bolts (G) from connecting rods (H) rod (J).
6. Remove connecting rods (H) and (J) from link (K).
7. Using hands, remove washer (L), connecting link (K), and washer (M) from shaft (N).

Go on to Sheet 2

TA169384

## CONNECTING LINK REPLACEMENT (Sheet 2 of 2)



## INSTALLATION

1. Position washer (A) and connecting link (B) onto shaft (C).
2. Position connecting rod (D) onto clevis of connecting link (B) and secure with bolt (E).
3. Install connecting rod (F) onto connecting link (B) and secure with bolt (G).
4. Using 9/16 inch wrench, tighten bolts (E and G).
5. Install washer (H) and shield (J) onto shaft (C) and, using 7/16 inch wrench, install and secure washer (K) and screw (L) into shield (J).
6. Using 3/4 inch wrench, install and secure washer (M) and nut (N).
7. Using pliers, install cotter pin (P).
8. Install powerplant (page 5-14).

End of Task

TA169385

**TM 5-5420-226-20-3**

**ROD END REPLACEMENT (Sheet 1 of 1)**

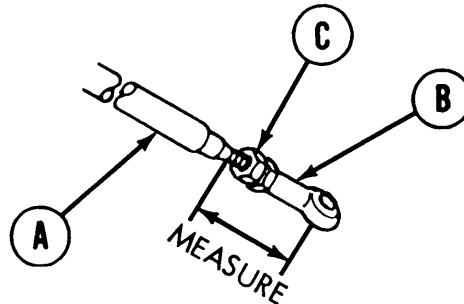
TOOLS: 9/16 in. open end wrench (2 required)  
Ruler

SUPPLIES: Pencil  
Paper

REFERENCE: TM 5-5420-226-10

**REMOVAL:**

1. Using ruler, measure from beginning of threads on rod (A) to center of hole in rod end (B). Write down this measurement.
2. Using pencil and paper, note whether rod end (B) is parallel or perpendicular to hull floor.
3. Holding rod end (B) with 9/16 inch wrench, use 9/16 inch wrench to loosen nut (C).
4. Using 9/16 inch wrench, remove rod end (B).



**INSTALLATION:**

1. Using 9/16 inch wrench, install rod end (B) on rod (A) in original, position, either parallel or perpendicular to hull floor. Turn rod end (B) onto rod (A) until the measurement taken during removal is obtained.
2. Using two 9/16 inch wrenches, tighten nut (C) to rod end (B).
3. Check steering operation (TM 5-5420-226-10).

End of Task

TA169386



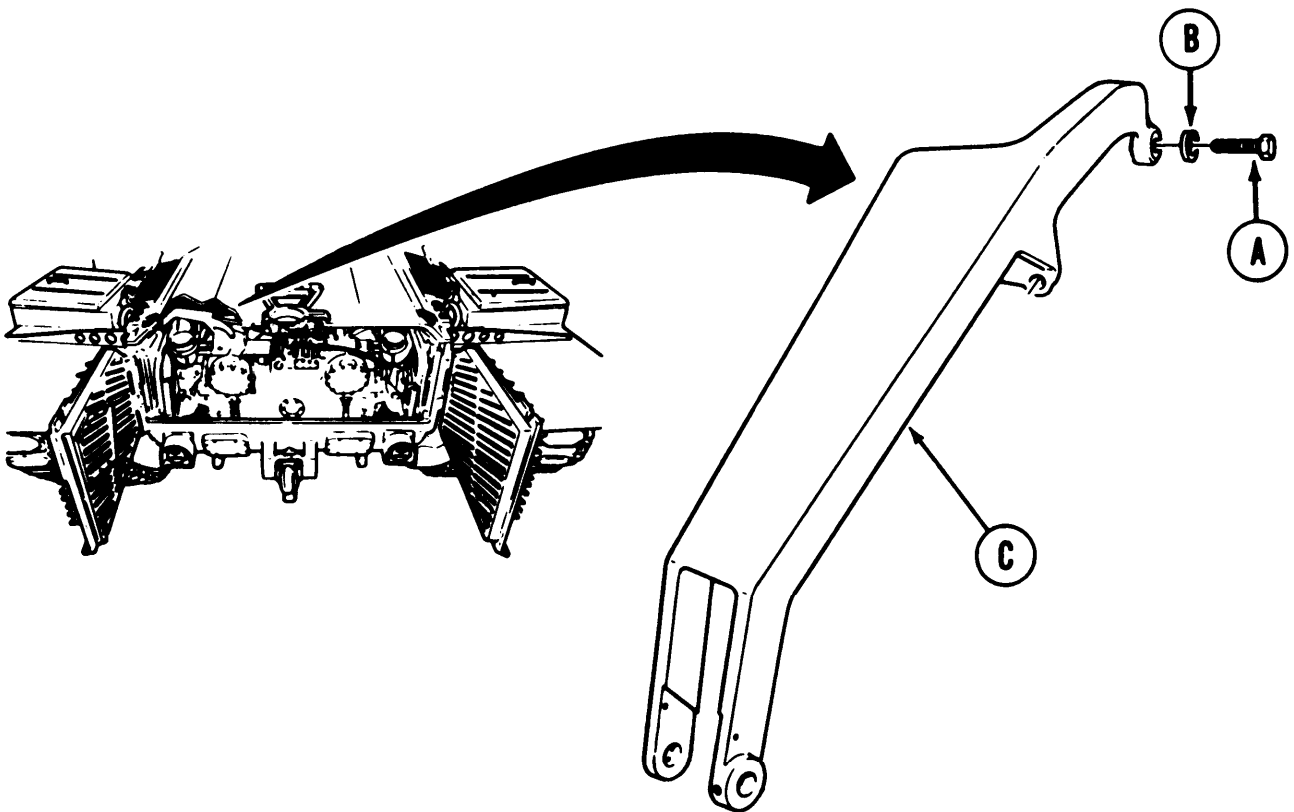
**STEERING CONTROL BRACKET REPLACEMENT (Sheet 1 of 2)**

TOOLS: 3/4 in. socket with 1/2 in. drive  
 1/2 in. drive ratchet  
 3/4 in. open end wrench  
 1/2in. drive hinged handle

PRELIMINARY Remove link assembly (15-24).

REMOVAL:

1. Using 3/4 inch open end wrench, remove one screw (A) and washer (B) holding bracket (C) to transmission.

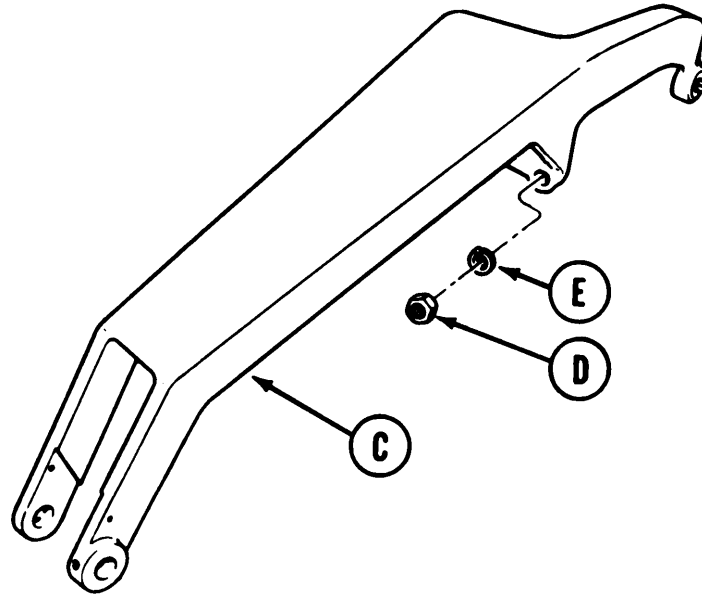


Go on to Sheet 2

TA169387

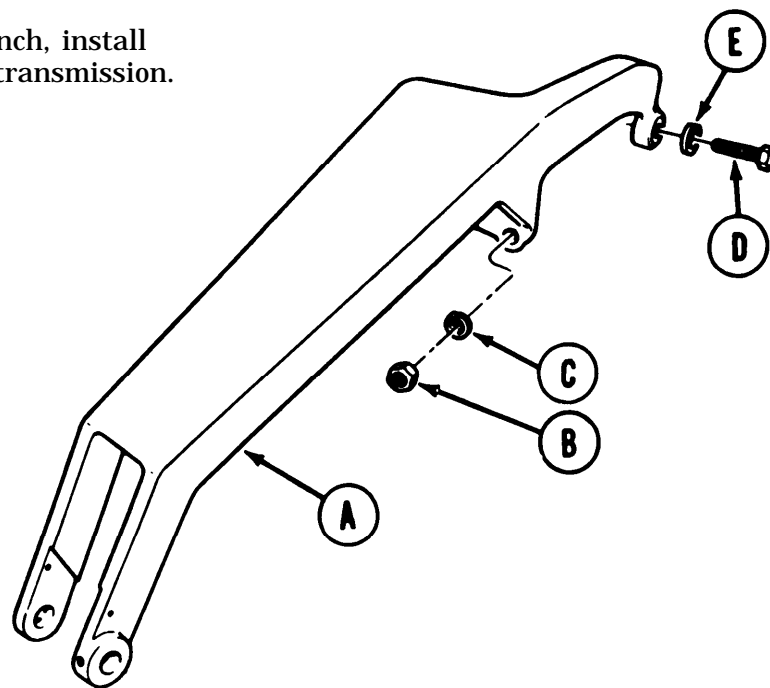
**STEERING CONTROL BRACKET REPLACEMENT (Sheet 2 of 2)**

- Using 3/4 inch socket, remove two nuts (D) and lockwashers (E) holding bracket (C) to transmission.
- Remove bracket (C) from transmission.



**INSTALLATION:**

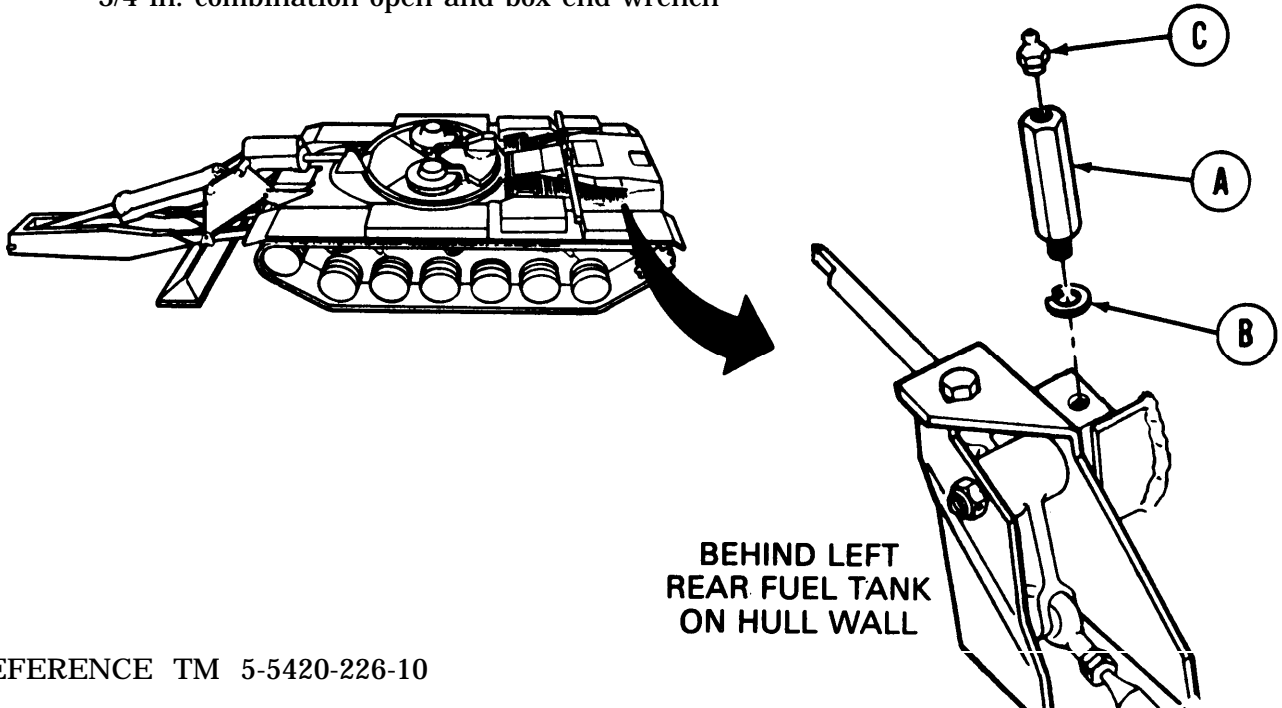
- Using 3/4 inch socket, install bracket (A) to transmission with two nuts (B) and lockwashers (C).
- Using 3/4 inch open end wrench, install screw (D) and washer (E) to transmission.
- Install link assembly (15-25).



End of Task

**STEERING CONTROL EXTENSION STUD REPLACEMENT (Sheet 1 of 2)**

**TOOLS:** 3/4 in. socket with 1/2 in. drive (deep well)  
 5/16 in. combination open and box end wrench  
 Ratchet with 1/2 in. drive  
 10 in. extension with 1/2 in. drive  
 3/4 in. combination open and box end wrench



REFERENCE TM 5-5420-226-10

PRELIMINARY PROCEDURE: Open top left grille door (TM 5-5420-226-10)

**REMOVAL:**

1. Using 3/4 inch socket and extension remove stud (A) and lockwasher (B).
2. Using 3/4 inch wrench to hold stud (A), use 5/16 inch wrench and remove fitting (C) from stud (A).

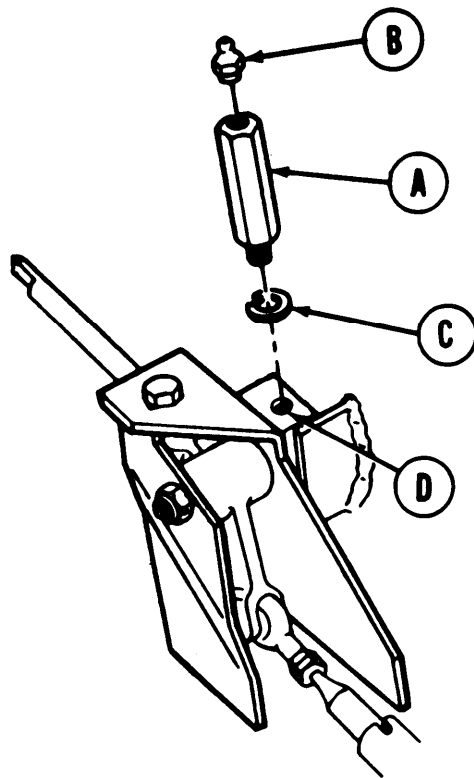
Go on to Sheet 2

TA169389

**STEERING CONTROL EXTENSION STUD REPLACEMENT (Sheet 2 of 2)**

**INSTALLATION:**

1. Using 3/4 inch wrench to hold stud (A), use 5/16 inch wrench and install fitting (B) into stud (A).
2. Position lockwasher (C) onto bracket (D) and, using 3/4 inch socket and extension, install stud (A) into bracket (D).
3. Close top left rear grille door (TM 5-5420-226-10).



End of Task

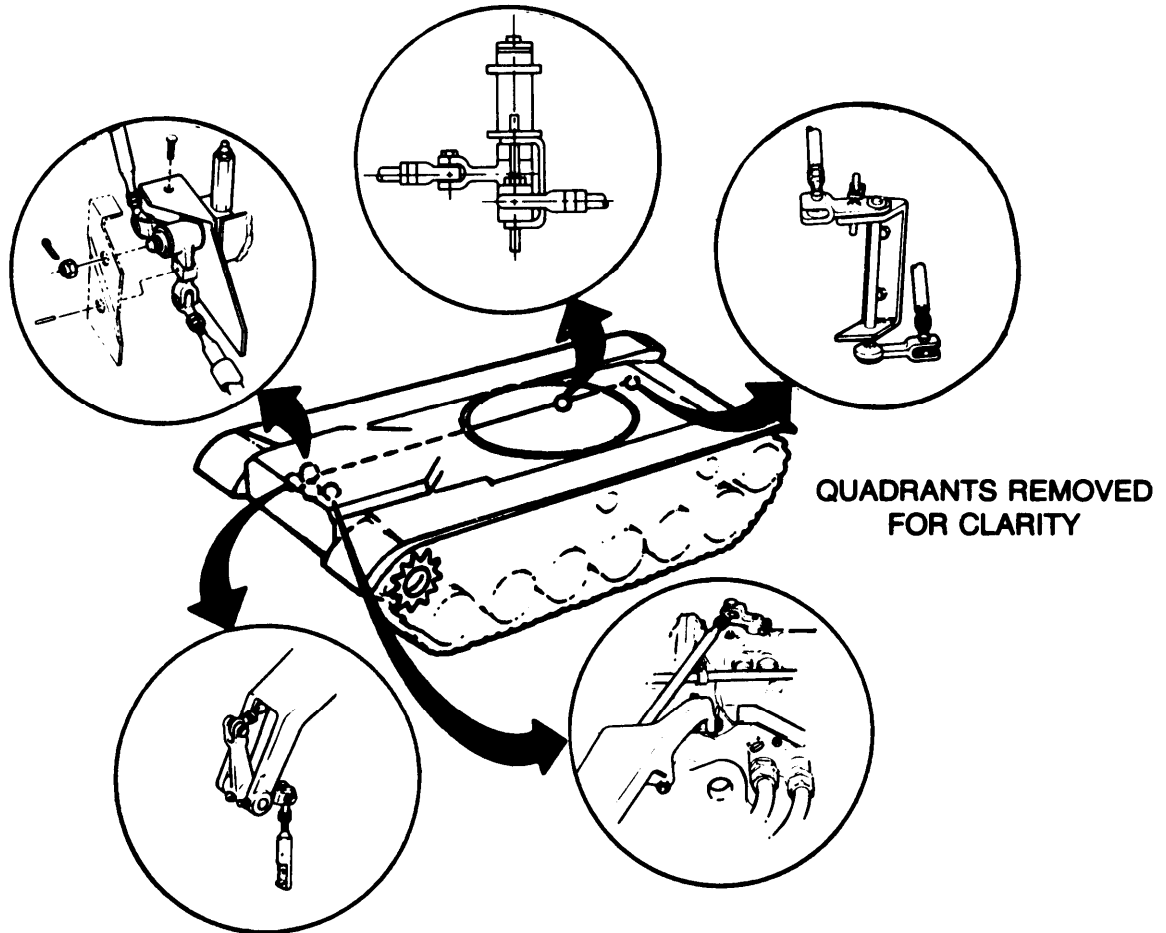
**STEERING CONTROL LINKAGE ADJUSTMENT (Sheet 1 of 22)**

**TOOLS:** 7/16 in. combination box and open end wrench  
 9/16 in. combination box and open end wrench (2 required)  
 3/4 in. combination box and open end wrench  
 Torque wrench with 1/2 in. drive (0-175 lb-ft)  
 9/16 in. socket with 1/2 in. drive  
 Needle nose pliers  
 9/16 in. crowfoot with 1/2 in. drive

**SUPPLIES:** Metal locating pins (4 required -1/8 in. by 2-1/2 in. long)  
 Metal pin (1/16 in. by 2 in. long)  
 Cotter pin

**REFERENCE:** TM 5-5420-226-10

**PRELIMINARY PROCEDURES:** Adjust track tension (TM 5-5420-226-10)  
 Block tracks (TM 5-5420-226-10)  
 Remove transmission shroud (page 9-2)



STEERING CONTROL LINKAGE ADJUSTMENT (Sheet 2 of 22)

ADJUSTMENT:

NOTE

When the engine, transmission, or entire powerplant is exchanged in a vehicle, driver's steering control must be checked for centering and adjustment. If the vehicle centering and linkage adjustment was satisfactory before the new powerplant was installed, go to step 119.

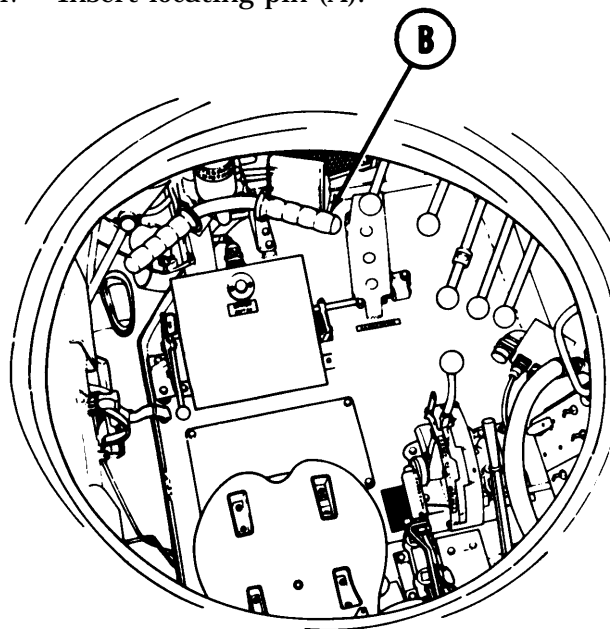
NOTE

Check to make sure rod end bearings are serviceable before proceeding with any linkage adjustments.

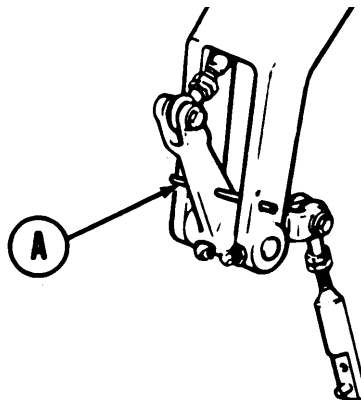
NOTE

It may be necessary to manually move link assembly before locating pin (P) can be inserted.

1. Insert locating pin (A).



DRIVER'S STATION



ENGINE COMPARTMENT

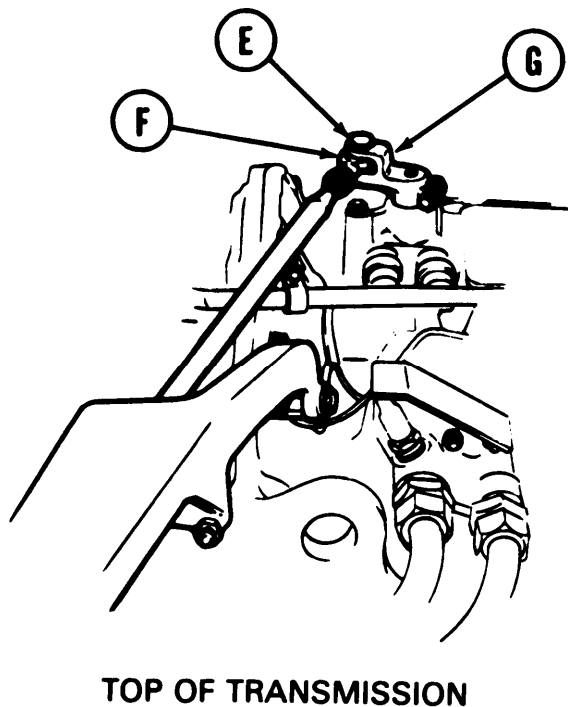
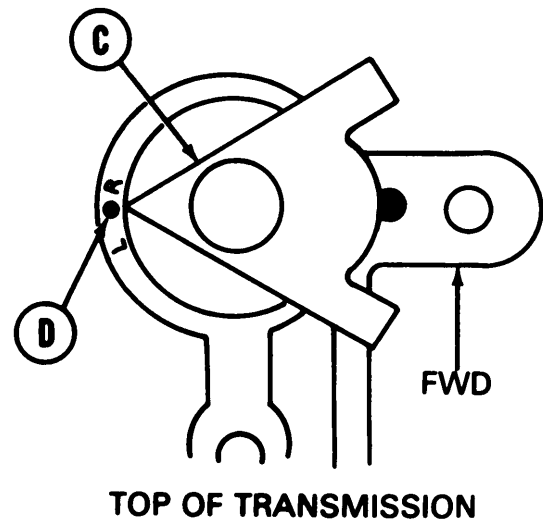
2. Check to see if driver's steering control (B) centers. If steering control (B) is centered, go on to step 3. If steering control (B) is not centered, go on to step 27.

Go on to Sheet 3

TA169392

**STEERING CONTROL LINKAGE ADJUSTMENT (Sheet 3 of 22)**

3. Check to make sure indicator (C) on top of transmission is pointing to index mark (D). If indicator (C) is pointing to index mark (D), notify support maintenance personnel. If indicator (C) is not pointing to index mark (D), go on to step 4.



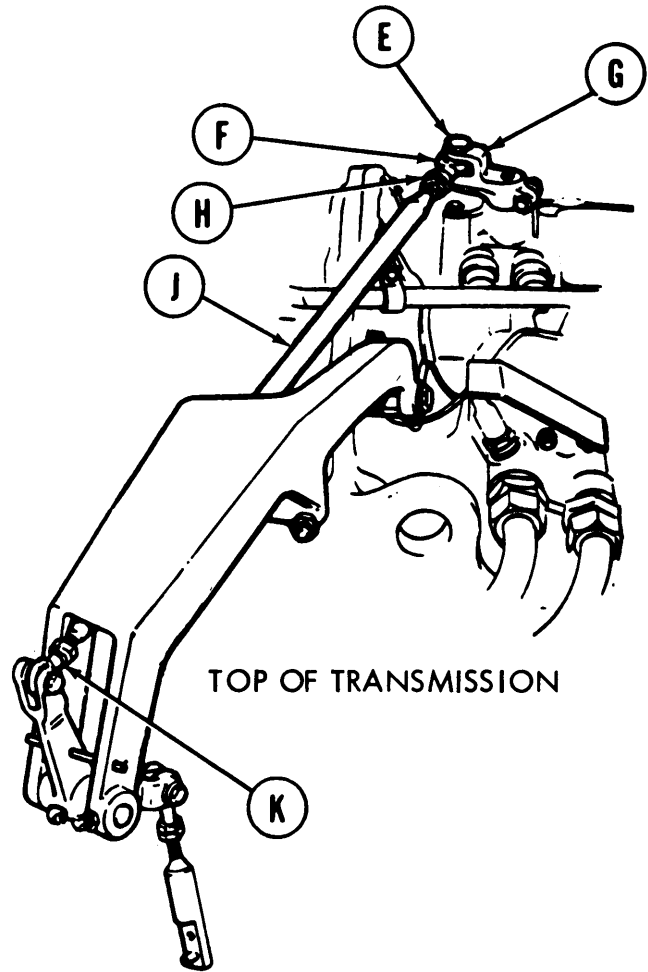
4. Using 9/16 inch wrench, remove screw (E).
5. Remove steering rod end (F) from clevis (G).
6. Make sure indicator (C) points to index mark (D). If indicator still does not point to index mark, notify support maintenance. If indicator does point to index mark, go on to step 7.

Go on to Sheet 4

TA169393

STEERING CONTROL LINKAGE ADJUSTMENT (Sheet 4 of 22)

7. Using 9/16 inch wrench to hold steering rod end (F), use 9/16 inch wrench to loosen jamnut (H).
8. Using 9/16 inch wrench, adjust length of control rod (J) by turning steering rod end (F) clockwise or counterclockwise until screw (E) drops freely through clevis (G) and steering rod end (F).
9. Using small gage wire, check to see if control rod (J) is into steering rod ends (F) and (K) past witness holes. If control rod (J) is past witness holes in both steering rod ends (F) and (K), go on to step 24. If control rod (J) is not past witness hole in steering rod end (K), go on to step 20. If control rod (J) is not past witness hole in steering rod end (F), go on to step 10.



10. Using 9/16 inch wrench, turn steering rod end (F) clockwise until control rod (J) is just past witness hole in steering rod end (F).
11. Using 9/16 inch wrench to hold steering rod end (F), use 9/16 inch wrench to tighten jamnut (H).

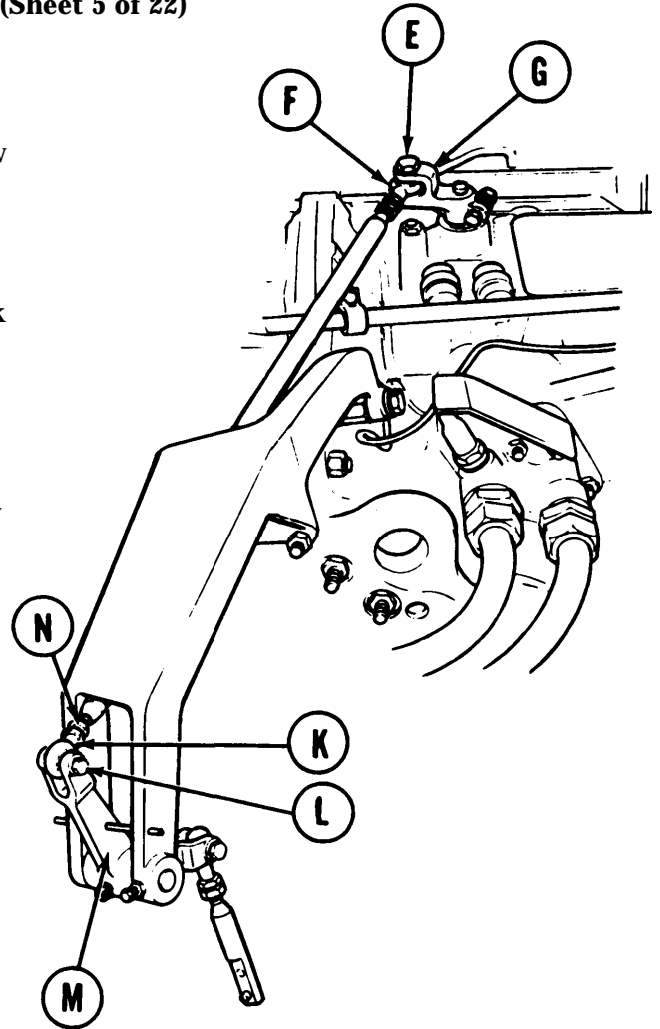
Go on to Sheet 5

TA169394



## STEERING CONTROL LINKAGE ADJUSTMENT (Sheet 5 of 22)

12. Using 9/16 inch wrench, remove screw (L).
13. Remove steering rod end (K) from link assembly (M).
14. Position steering rod end (F) in clevis (G) and using 9/16 inch wrench, install screw (E).
15. Using 9/16 inch socket and torque wrench tighten screw (E) to 16 lb-ft (22 N m).
16. Using 9/16 inch wrench to hold steering rod end (K), use 9/16 inch wrench to loosen jamnut (N).
17. Using 9/16 inch wrench, turn steering rod end (K) counterclockwise until screw (L) will pass freely through link assembly (M) and steering rod end (K).
18. Using 9/16 inch wrench, install screw (L) through link assembly (M) and steering rod end (K). Using torque wrench, tighten screw (L) to 16 lb-ft (22 N m).
19. Using 9/16 inch wrench to hold steering rod end (K), use 9/16 inch wrench to tighten jamnut (N) and go on to step 27.

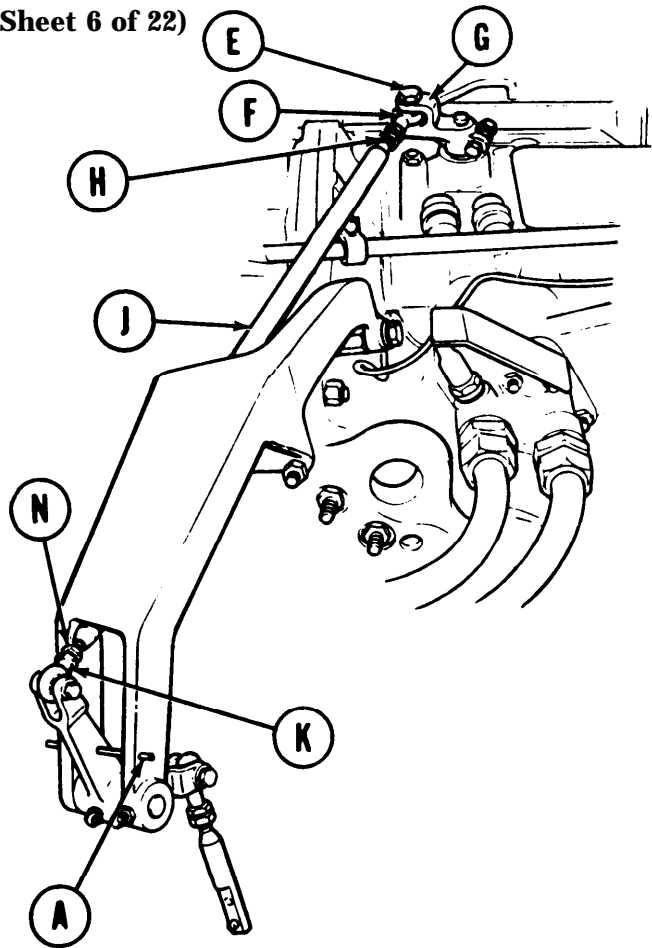


Go on to Sheet 6

TA169395

STEERING CONTROL LINKAGE ADJUSTMENT (Sheet 6 of 22)

20. Using 9/16 inch wrench to hold steering rod end (K), use 9/16 inch wrench to loosen jamnut (N).
21. Using hands, turn control rod (J) clockwise until control rod (J) is just past witness hole in steering rod end (K).
22. Using 9/16 inch wrench, to hold steering rod end (K), use 9/16 inch wrench to tighten jamnut (N).
23. Using 9/16 inch wrench, turn steering rod end (F) counterclockwise until screw (E) will drop freely through clevis (G) and steering rod end (F).
24. Using 9/16 inch wrench, install screw (E) through clevis (G) and steering rod end (F).
25. Using socket and torque wrench, tighten screw (E) to 16 lb-ft (22 N m).
26. Using 9/16 inch wrench to hold steering rod end (F), use 9/16 inch wrench to tighten jamnut (H).
27. Remove locating pin (A).

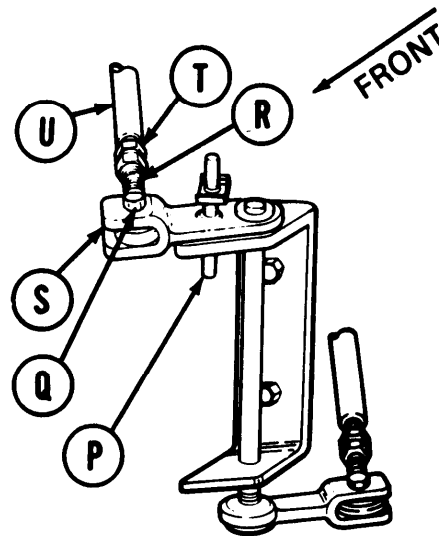


STEERING CONTROL LINKAGE ADJUSTMENT Sheet 7 of 22)

NOTE

It may be necessary to manually move link assembly before locating pin (P) can be inserted.

28. Insert locating pin (P).
29. Check to see if driver's steering control is centered. If steering control is centered, go on to step 52. If steering control is not centered, go on to step 30.
30. Using 9/16 inch wrench, remove screw (Q).
31. Remove steering rod end (R) from clevis (S).



DRIVER'S STATION

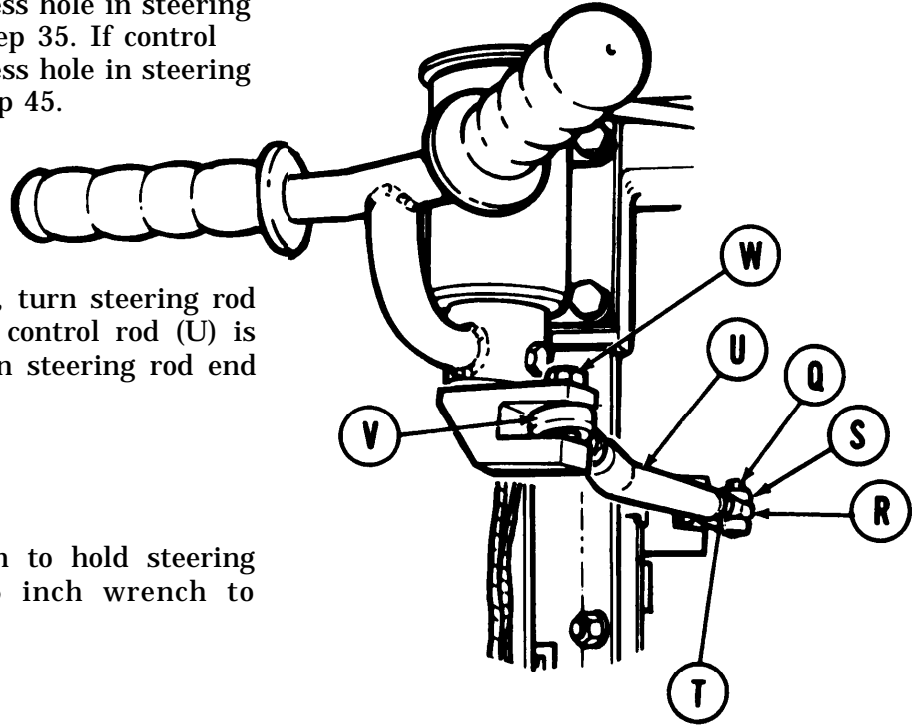
32. Using 9/16 inch wrench to hold steering rod end (R), use 9/16 inch wrench to loosen jamnut (T).
33. Using 9/16 inch wrench, adjust length of control rod (U) by turning steering rod end (R) clockwise or counterclockwise until screw (Q) will drop freely through clevis (S) and steering rod end (R) when steering control is centered.

Go on to step 8.

TA169397

STEERING CONTROL LINKAGE ADJUSTMENT (Sheet 8 of 22)

34. Using small gage wire, check to see if control rod (U) is into steering rod ends (R) and (V) past witness holes. If control rod (U) is past witness holes in both steering rod ends (R) and (V), go on to step 49. If control rod (U) is not past witness hole in steering rod end (R), go on to step 35. If control rod (U) is not past witness hole in steering rod end (V), go on to step 45.

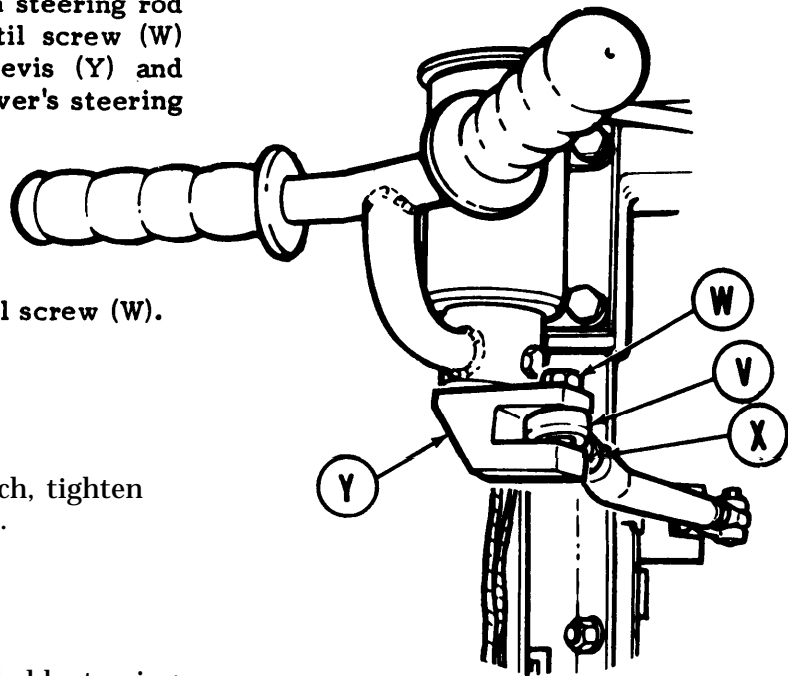


35. Using 9/16 inch wrench, turn steering rod end (R) clockwise until control rod (U) is just past witness hole in steering rod end (R).
36. Using 9/16 inch wrench to hold steering rod end (R), use 9/16 inch wrench to tighten jamnut (T).
37. Using 9/16 inch wrench, remove screw (W).
38. Position steering rod end (R) in clevis (S) and using 9/16 inch wrench, install screw (Q).
39. Using socket and torque wrench tighten screw (Q) to 16 lb-ft (22 N m).

STEERING CONTROL LINKAGE ADJUSTMENT (Sheet 9 of 22)

40. Using 9/16 inch wrench to hold steering rod end (V), use 9/16 inch wrench to loosen jamnut (X).

41. Using 9/16 inch wrench, turn steering rod end (V) counterclockwise until screw (W) will drop freely through clevis (Y) and steering rod end (V) when driver's steering control is centered.



42. Using 9/16 inch wrench install screw (W).

43. Using socket and torque wrench, tighten screw (W) to 16 lb-ft (22 N m).

44. Using 9/16 inch wrench to hold steering rod end (V), use 9/16 inch wrench to tighten jamnut (X). Go on to step 52.

DRIVER'S STATION

45. Using 9/16 inch wrench to hold steering rod end (V), use 9/16 inch wrench to loosen jamnut (X).

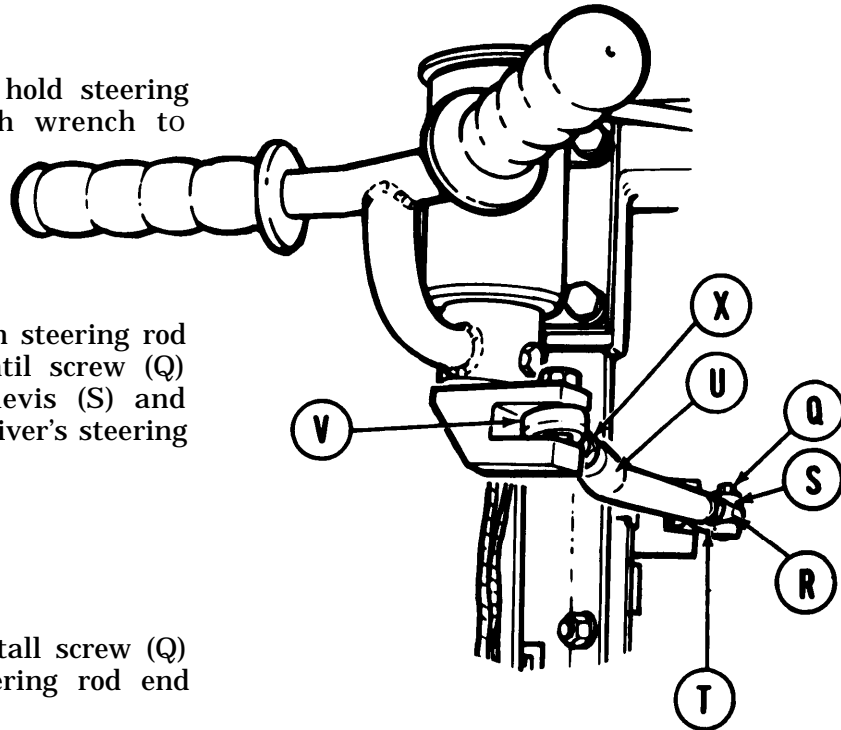
STEERING CONTROL LINKAGE ADJUSTMENT (Sheet 10 of 22)

46. Using hands, turn control rod (U) clockwise until control rod (U) is just past witness hole in steering rod end (V).

47. Using 9/16 inch wrench to hold steering rod end (V), use 9/16 inch wrench to tighten jamnut (X).

48. Using 9/16 inch wrench, turn steering rod end (R) counterclockwise until screw (Q) will drop freely through clevis (S) and steering rod end (R) when driver's steering control is centered.

49. Using 9/16 inch wrench, install screw (Q) through clevis (S) and steering rod end (R).



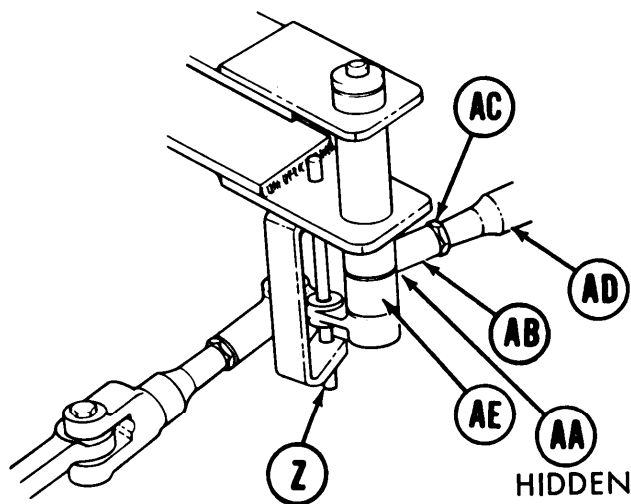
DRIVER'S STATION

50. Using socket and torque wrench, tighten screw (Q) to 16 lb-ft (22 N m).

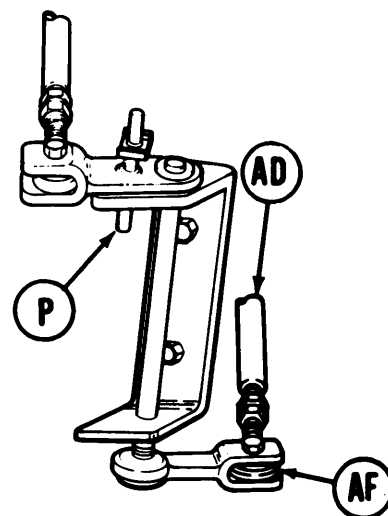
51. Using 9/16 inch wrench to hold steering rod end (R), use 9/16 inch wrench to tighten jamnut (T).

STEERING CONTROL LINKAGE ADJUSTMENT (Sheet 11 of 22)

52. With locating pin (P) still installed, try to insert locating pin (Z). If locating pin (Z) can be inserted, go on to step 75. If locating pin (Z) can not be inserted, go on to step 53.



LEFT OF DRIVER'S STATION



53. Using 9/16 inch wrench, remove screw (AA).
54. Move link assembly and insert locating pin (Z).
55. Using 9/16 inch wrench to hold steering rod end (AB), use 9/16 inch wrench to loosen jamnut (AC).
56. Using 9/16 inch wrench, adjust length of control rod (AD) by turning steering rod end (AB) clockwise or counterclockwise until screw (AA) will drop freely through clevis (AE) and steering rod end (AB).
57. Using small gage wire, check to see if control rod (AD) is into steering rod ends (AB) and (AF) past witness holes. If control rod (AD) is past witness holes in both steering rod ends (AB) and (AF), go on to step 72. If control rod (AD) is not past witness hole in steering rod end (AB), go to step 58. If control rod (AD) is not past witness hole in steering rod end (AF) go on to step 68.

Go on to Sheet 12

TA169401

STEERING CONTROL LINKAGE ADJUSTMENT (Sheet 12 of 22)

58. Using 9/16 inch wrench, turn steering rod end (AB) clockwise until control rod (AD) is just past witness hole in steering rod end (AB).

59. Using 9/16 inch wrench to hold steering rod end (AB), use 9/16 inch wrench to tighten jamnut (AC).

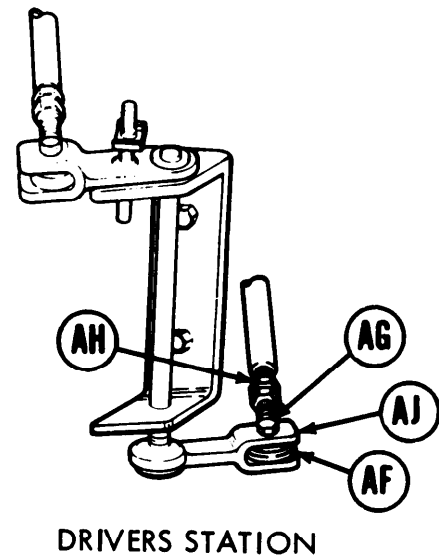
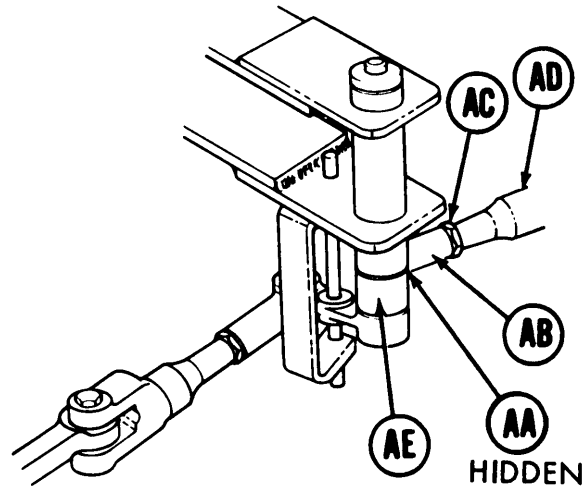
60. Using 9/16 inch wrench, remove screw (AG).

61. Position steering rod end (AB) in clevis (AE) and using 9/16 inch wrench, install screw (AA).

62. Using torque wrench and crowfoot, tighten screw (AA) to 16 lb-ft (22 N•m).

63. Using 9/16 inch wrench to hold steering rod end (AF), use 9/16 inch wrench to loosen jamnut (AH).

64. Using 9/16 inch wrench, turn steering rod end (AF) counterclockwise until screw (AG) will drop freely through clevis (AJ) and steering rod end (AF).



Go on to Sheet 13

TA169402

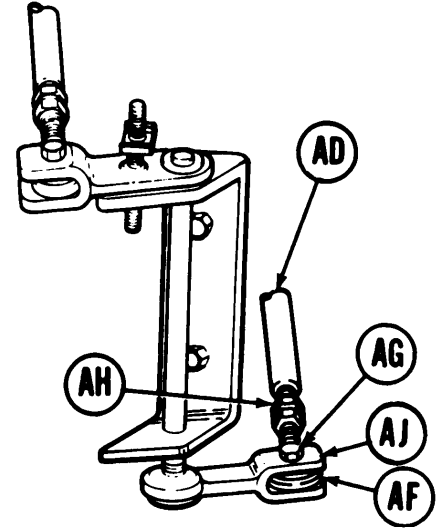


**STEERING CONTROL LINKAGE ADJUSTMENT (Sheet 13 of 22)**

65. Using 9/16 inch wrench, install screw (AG) through clevis (AJ) and steering rod end (AF).

66. Using socket and torque wrench tighten screw (AG) to 16 lb-ft (22 N m).

67. Using 9/16 inch wrench to hold steering rod end (AF), use 9/16 inch wrench to tighten jamnut (AH) and go on to step 75.



68. Using 9/16 inch wrench to hold steering rod end (AF), use 9/16 inch wrench to loosen jamnut (AH).

69. Using hands, turn control rod (AD) clockwise until control rod (AD) is past witness hole in steering rod end (AF).

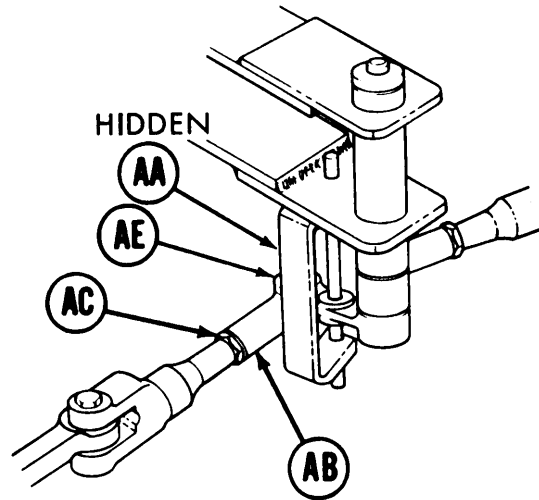
70. Using 9/16 inch wrench to hold steering rod end (AF), use 9/16 inch wrench to tighten jamnut (AH).

Go on to Sheet 14

TA169403

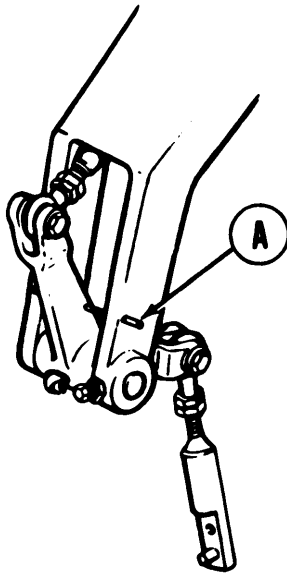
STEERING CONTROL LINKAGE ADJUSTMENT (Sheet 14 of 22)

- 71. Using 9/16 inch wrench, turn steering rod end (AB) counterclockwise until screw (AA) will drop freely through clevis (AE) and steering rod end (AB).
- 72. Using 9/16 inch wrench, install screw (AA).
- 73. Using torque wrench and crowfoot, tighten screw (AA) to 16 lb-ft (22 N•m).



LEFT OF DRIVER'S STATION

- 74. Using 9/16 inch wrench to hold steering rod end (AB), use 9/16 inch wrench to tighten jamnut (AC).



LEFT SIDE OF TRANSMISSION

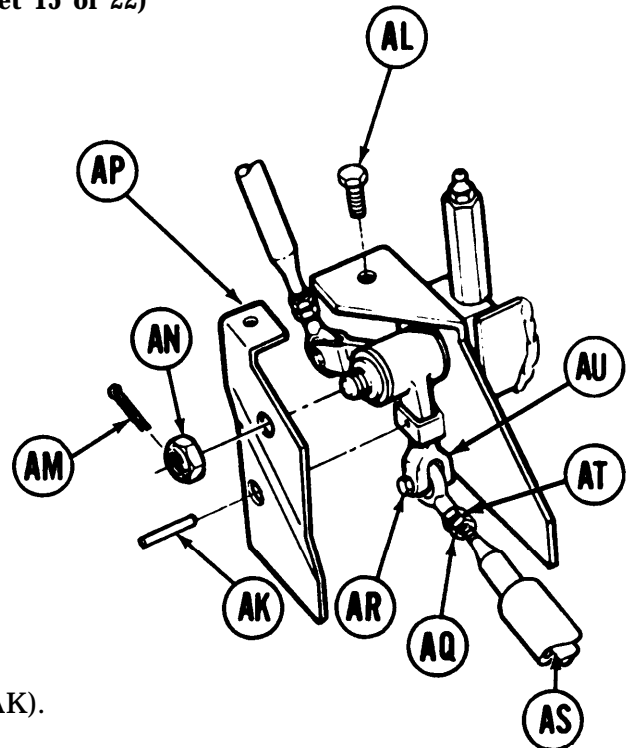
NOTE

Do not remove locator pins already installed.

- 75. Try to insert locating pin (A). If locating pin (A) can be inserted, linkage is in adjustment. Go on to step 128. If locating pin (A) cannot be inserted remove powerplant (page 5-2) and go on to step 76.

**STEERING CONTROL LINKAGE ADJUSTMENT (Sheet 15 of 22)**

76. Try to insert locating pin (AK). If locating pin (AK) can be inserted, go on to step 109. If locating pin (AK) cannot be inserted go to step 77.
77. Using 7/16 inch wrench, remove screw (AL).
78. Using pliers, remove cotter pin (AM). Throw cotter pin (AM) away.
79. Using 3/4 inch wrench, remove nut (AN) and remove plate (AP).
80. Using 9/16 inch wrench, loosen jamnut (AQ).
81. Using 9/16 inch wrench, remove screw (AR).
82. Move link assembly and insert locating pin (AK).
83. Using 9/16 inch wrench, adjust length of control rod (AS) by turning steering rod end (AT) clockwise or counterclockwise until screw (AR) can be freely inserted through clevis (AU) and steering rod end (AT).

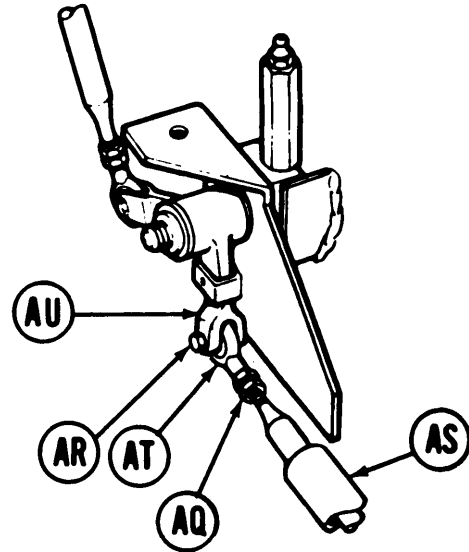


Go on to Sheet 16

TA169405

STEERING CONTROL LINKAGE ADJUSTMENT (Sheet 16 of 22)

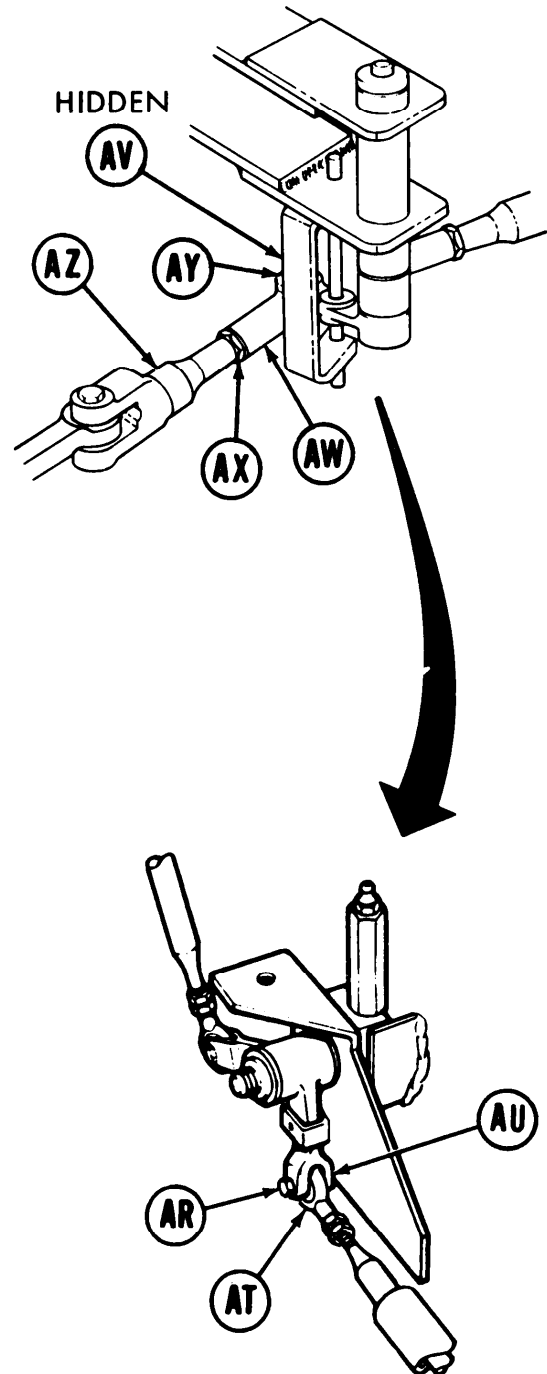
84. Using small gage wire, check if control rod (AS) is past witness hole in steering rod end (AT). If control rod (AS) is past witness hole, go on to step 85. If control rod (AS) is not past witness hole, go on to step 88.
85. Using 9/16 inch wrench to hold steering rod end (AT), use 9/16 inch wrench to tighten jamnut (AQ).
86. Position steering rod end (AT) in clevis (AU) and using 9/16 inch wrench, install screw (AR).
87. Using socket and torque wrench, tighten screw (AR) to 16 lb-ft (22 N m).  
Go on to step 109.
88. Using 9/16 inch wrench, turn steering rod end (AT) clockwise until control rod (AS) is just past witness hole in steering rod end (AT).
89. Using 9/16 inch wrench to hold steering rod end (AT), use 9/16 inch wrench to tighten jamnut (AQ).



LEFT SIDE OF HULL  
(TO REAR OF FUEL TANK)

**STEERING CONTROL LINKAGE ADJUSTMENT (Sheet 17 of 22)**

90. Using 9/16 inch wrench, remove screw (AV).
91. Position steering rod end (AT) in clevis (AU) and using 9/16 inch wrench, install screw (AR).
92. Using torque wrench tighten screw (AR) to 16 lb-ft (22 N•m).
93. Using 9/16 inch wrench to hold steering rod end (AW), use 9/16 inch wrench to loosen jamnut (AX).
94. Using 9/16 inch wrench, turn steering rod end (AW) counterclockwise until screw (AV) will drop freely through clevis (AY) and steering rod end (AW).
95. Using small gage wire, check if control rod (AZ) is past witness hole in steering rod end (AW). If control rod (AZ) is past witness hole, go to step 96. If control rod (AZ) is not past witness hole, go on to step 99.
96. Using 9/16 inch wrench to hold steering rod end (AW), use 9/16 inch wrench to tighten jamnut (AX).

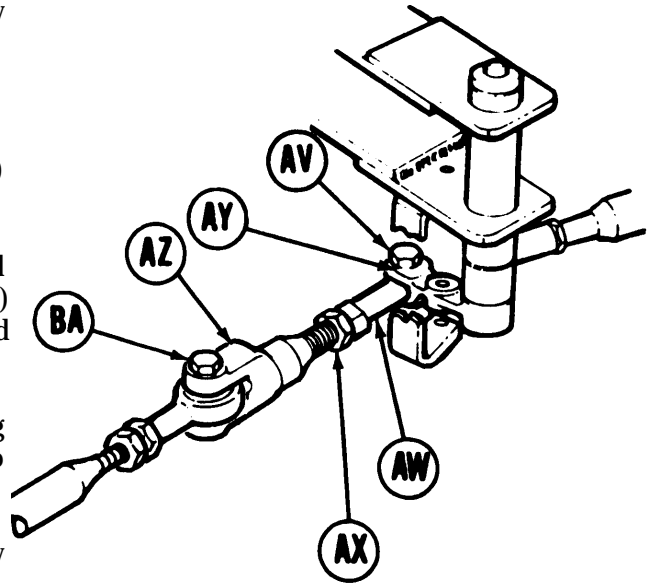


Go on to Sheet 18

TA169407

STEERING CONTROL LINKAGE ADJUSTMENT (Sheet 18 of 22)

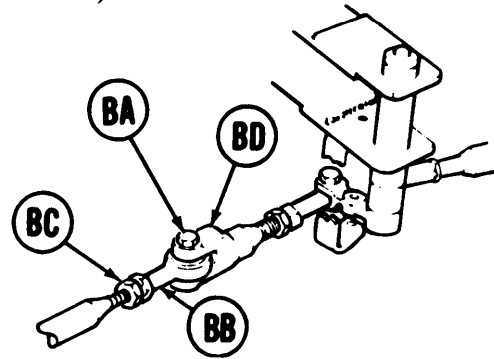
- 97. Using 9/16 inch wrench, install screw (AV).
- 98. Using torque wrench and crowfoot, tighten screw (AV) to 16 lb-ft (22 N•m) and go on to step 109.
- 99\* Using 9/16 inch wrench, turn steering rod end (AW) clockwise until control rod (AZ) is just past witness hole in steering rod end (AW).
- 100. Using 9/16 inch wrench to hold steering rod end (AW), use 9/16 inch wrench to tighten jamnut (AX).
- 101. Using 9/16 inch wrench, remove screw (BA).
- 102. Position steering rod end (AW) in clevis (AY) and using 9/16 inch wrench, install screw (AV).
- 103. Using torque wrench and crowfoot, tighten screw (AV) to 16 lb-ft (22 N•m).



LEFT OF DRIVER'S STATION

**STEERING CONTROL LINKAGE ADJUSTMENT (Sheet 19 of 22)**

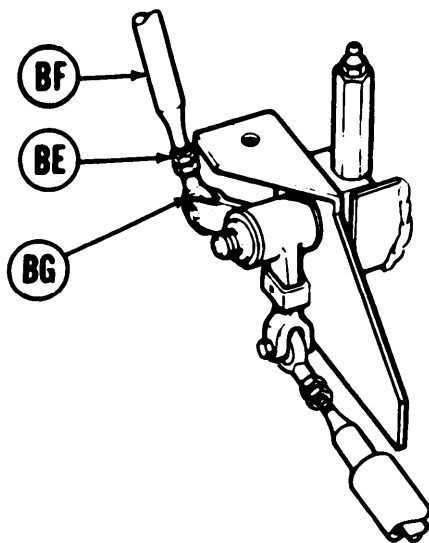
- 104. Using 9/16 inch wrench to hold steering rod end (BB), use 9/16 inch wrench to loosen jamnut (BC).
- 105. Using 9/16 inch wrench, turn steering rod end (BB) counterclockwise until screw (BA) will drop freely through clevis (BD) and steering rod end (BB).



LEFT OF DRIVER, S STATION

- 106. Using 9/16 inch wrench to hold steering rod end (BB), use 9/16 inch wrench to tighten jamnut (BC).
- 107. Using 9/16 inch wrench, install screw (BA) through clevis (BD) and steering rod end (BB).
- 108. Using socket and torque wrench, tighten screw (BA) to 16 lb-ft (22 N•m).

- 109. Using 9/16 inch wrench, loosen jamnut (BE).
- 110. Using hands, turn control rod (BF) counterclockwise until control rod (BF) is not past witness hole in steering rod end (BG).



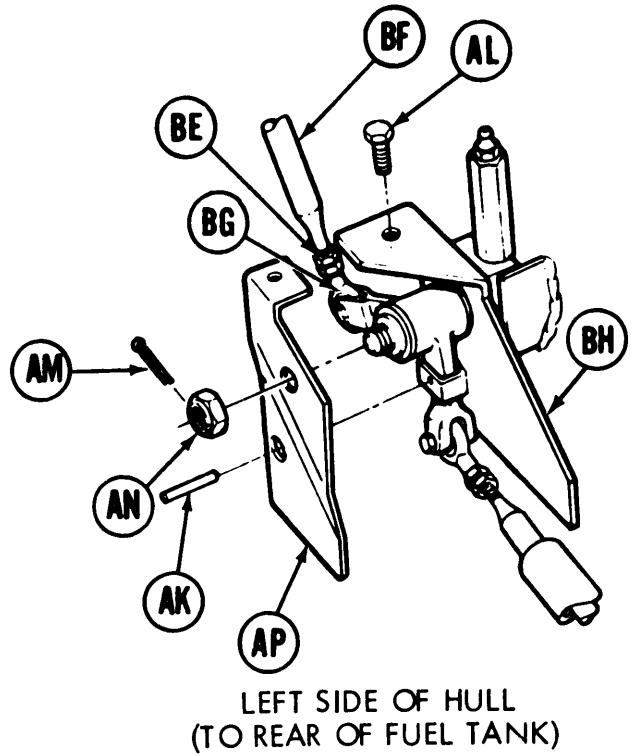
LEFT SIDE OF HULL  
(TO REAR OF FUEL TANK)

Go on to Sheet 20

TA169409

STEERING CONTROL LINKAGE ADJUSTMENT (Sheet 20 of 22)

- 111. Using hands, turn control rod (BF) clockwise until control rod (BF) is just past witness hole in steering rod end (BG).
- 112. Using 9/16 inch wrench to hold steering rod end (BG), use 9/16 inch wrench to tighten jamnut (BE).
- 113. Remove locating pin (AK).
- 114. Position plate (AP) on plate (BH).
- 115. Using 9/16 inch wrench, install screw (AL).
- 116. Using 3/4 inch wrench, install nut (AN).
- 117. Using pliers, install new cotter pin (AM) through nut (AN).
- 118. Install powerplant (page 5-2).





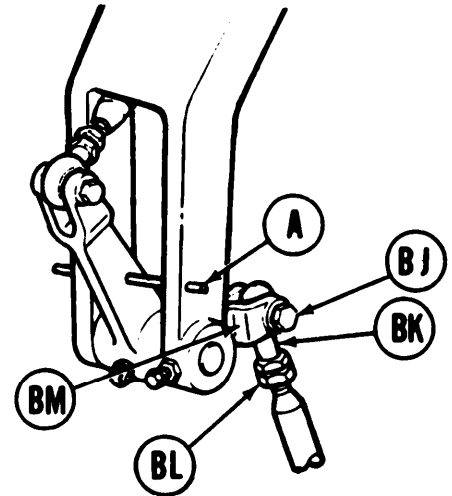
## STEERING CONTROL LINKAGE ADJUSTMENT (Sheet 21 of 22)

119. Try to insert locating pin (A). If locating pin (A) can be inserted, go on to step 128. If locating pin (A) cannot be inserted, go to step 120.

120. Using 9/16 inch wrench, remove screw (BJ).

121. Insert locating pin (A).

122. Using 9/16 inch wrench to hold steering rod end (BK), use 9/16 inch wrench to loosen jamnut (BL).



LEFT SIDE OF TRANSMISSION

123. Using 9/16 inch wrench, turn steering rod end (BK) clockwise or counterclockwise until screw (BJ) can be inserted freely through clevis (BM) and steering rod end (BK).

124. Using 9/16 inch wrench to hold steering rod end (BK), use 9/16 inch wrench to tighten jamnut (BL).

125. Position steering rod end (BK) in clevis (BM) and using 9/16 inch wrench, install screw (BJ).

127. Using socket and torque wrench, tighten screw (BJ) to 16 lb-ft (22 N•m).

Go on to Sheet 22

TA169411

**STEERING CONTROL LINKAGE ADJUSTMENT (Sheet 22 of 22)**

128. Remove all locating pins.

129. Check steering controls with vehicle operating (TM 5-5420-226-10). If steering is unacceptable, notify support maintenance personnel.

130. Install transmission shroud (page 9-6).

131. Unblock tracks (TM 5-5420-226-10).

End of Task

CHAPTER 16

HULL EXTERIOR MAINTENANCE

INDEX

Procedure	Page
Towing Pintle Repair . . . . .	16-2
Tow Cable Hook Replacement . . . . .	16-7
Fuel Filler Cover Assembly Replacement. . . . .	16-8
Intake Grille Door No. 1 Left and Right Replacement . . . . .	16-10
Intake Grille Door No. 2 Left and Right Replacement . . . . .	16-11
Intake Grille Door No. 3 Left and Right Replacement . . . . .	16-12
Intake Grille Door No. 4 Left and Right Replacement . . . . .	16-14
Intake Grille Door No. 5 Left and Right Replacement . . . . .	16-15
Exhaust Doors Replacement. . . . .	16-17
Top Deck Frame Assembly Replacement	
Top Deck Replacement . . . . .	16-21
Top Deck Door Panels Replacement . . . . .	16-25
Top Deck Insulator Panel Replacement. . . . .	16-27
Engine Access Panel Seal Replacement . . . . .	16-31
Engine Oil Filler Cover Replacement . . . . .	16-33
Rear Transmission Access Cover Replacement . . . . .	16-34
Power Take-off Access Cover Replacement . . . . .	16-35
Brake Disconnect Access Cover Replacement . . . . .	16-36
Transmission Drain Access Cover Replacement . . . . .	16-37
Floor Drain Access Cover Replacement . . . . .	16-38
Door Assembly (Escape Hatch) Replacement . . . . .	16-40
Door Assembly (Escape Hatch) Repair . . . . .	16-42
Front Fender Plate No. 1 Replacement. . . . .	16-45
Front Fender Shroud Replacement. . . . .	16-48
Front Fender Plate No. 2 Replacement. . . . .	16-51
Front Fender Plate No. 3 Replacement. . . . .	16-53
Air Cleaner Fender Replacement . . . . .	16-56
Rear Fender Plate, Shield, and Support Replacement. . . . .	16-57
No. 1 and No.2 Outrigger Replacement . . . . .	16-62
Outriggers 3, 4, 5 and 6 Replacement . . . . .	16-65
Center Fender Stowage Box Replacement and Repair . . . . .	16-72
Rear Fender Stowage Box and Fender Replacement and Repair . . . . .	16-78

TOWING PINTLE REPAIR (Sheet 1 of 5)

PROCEDURE INDEX

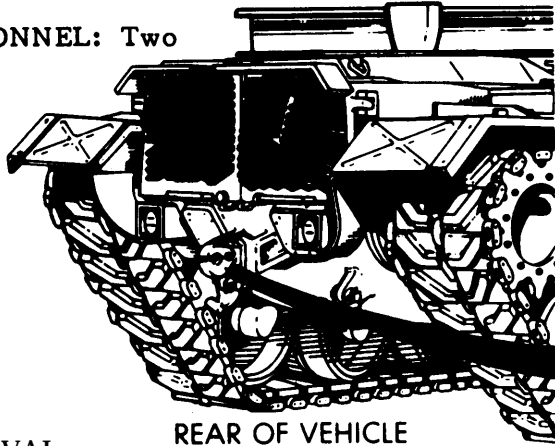
PROCEDURE	PAGE
Removal	16-2
Disassembly	16-3
Cleaning and Inspection	16-4
Assembly	16-4
Installation	16-6

TOOLS: 1-5/16 in. open end wrench  
 Hammer  
 Flat-tip screwdriver  
 Center punch  
 3/8 in. drive punch  
 59 to 62 in. pinchpoint crowbar  
 5/16 in. socket with 3/8 in. drive  
 Slip joint pliers

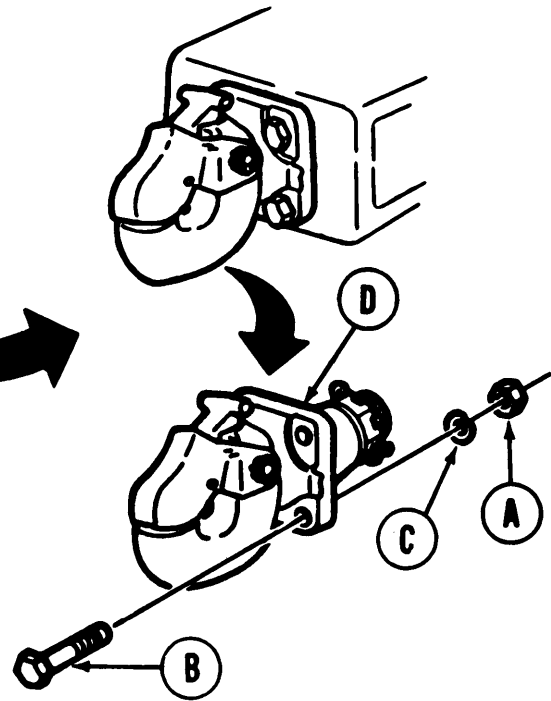
Ratchet with 3/8 in. drive  
 3-1/4 in. socket with 1 in. drive  
 Ratchet with 1 in. drive  
 1-1/2 in. socket with 3/4 in. drive  
 1-5/16 in. socket with 3/4 in. drive  
 8 in. extension with 3/4 in. drive  
 Ratchet with 3/4 in. drive  
 1-1/2 in. open end wrench

SUPPLIES: Dry cleaning solvent (Item 55, Appendix D)  
 Cotter pins  
 Low-pressure air supply (30 psi maxium)

PERSONNEL: Two



REAR OF VEHICLE



REMOVAL:

1. Place 1-5/16 inch wrench on each of the four nuts (A).
2. Holding nut (A) with 1-5/16 inch wrench and using 1-5/16 inch socket, remove four bolts (B), lockwashers (C), and nuts (A).
3. Remove towing pintle (D) from vehicle.

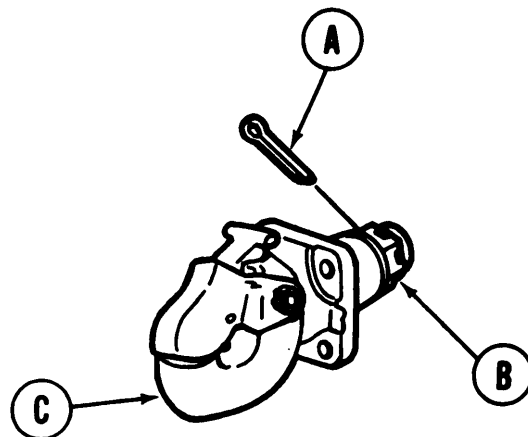
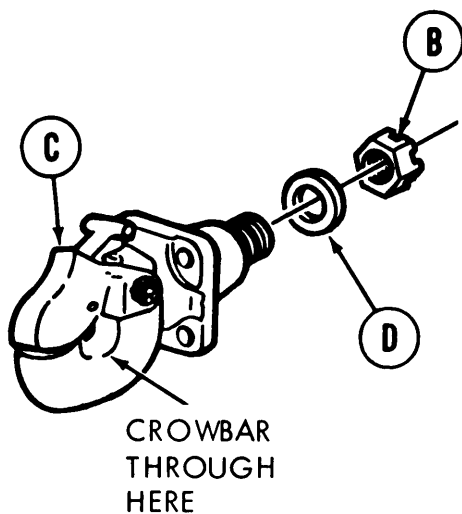
Go on to Sheet 2

TA169414

**TOWING PINTLE REPAIR (Sheet 2 of 5)**

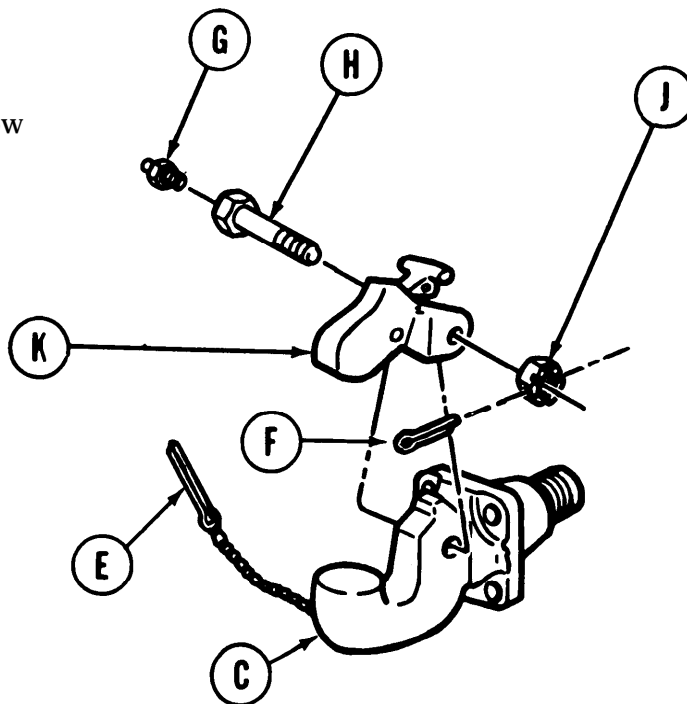
**DISASSEMBLY:**

1. Using pliers and hammer, remove cotter pin (A) from nut (B) at rear of towing pintle (C). Throw cotter pin (A) away.
2. Place crowbar through hole of towing pintle (C).



3. With one technician holding crowbar, and another technician using 3-1/4 inch socket, remove nut (B) and flat washer (D).
4. Pull cotter pin (E) that is hooked to chain out of towing pintle (C).

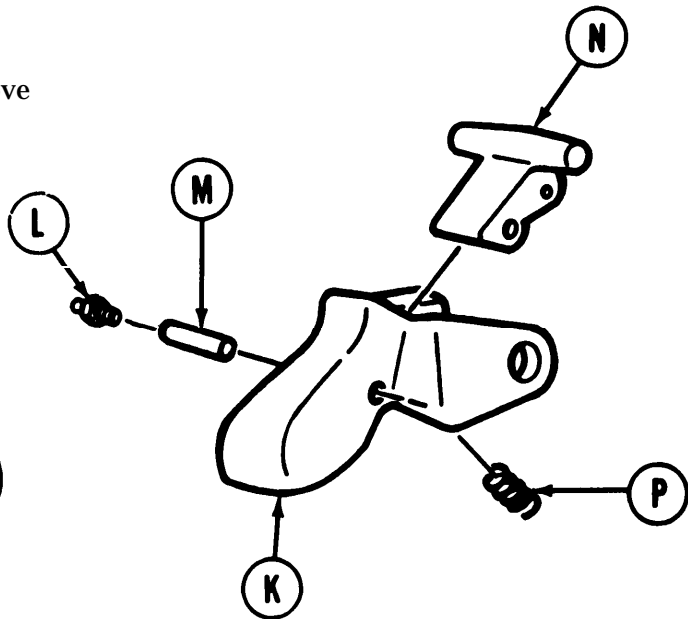
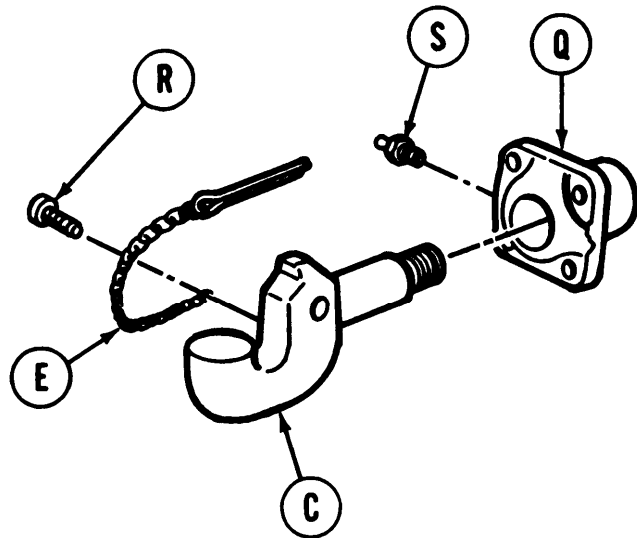
5. Using pliers, remove cotter pin (F). Throw cotter pin (F) away.
6. Using 5/16 inch socket, remove fitting (G).
7. Place 1-1/2 inch wrench on bolt (H).
8. Using 1-1/2 inch socket, remove nut (J) and bolt (H) securing latch (K) to towing pintle (C).
9. Remove latch (K).



TA169415

TOWING PINTLE REPAIR (Sheet 3 of 5)

10. Using 5/16 inch socket, remove fitting (L).
11. Using hammer and 3/8 inch punch, remove staked pin (M) securing latch (N) to latch (K).
12. Remove latch (N) and spring (P) from latch (K) housing.



13. Slide sleeve assembly (Q) off towing pintle (C).
14. Using screwdriver, remove screw (R) and chain and cotter pin (E) from towing pintle (C).

CLEANING AND INSPECTION:

1. Inspect nuts and pintle for excessive wear or stripping of threads. Replace as required.
2. Remove any deformed metal from around cavity from which pin was removed.
15. Using 5/16 inch socket, remove fitting (S).

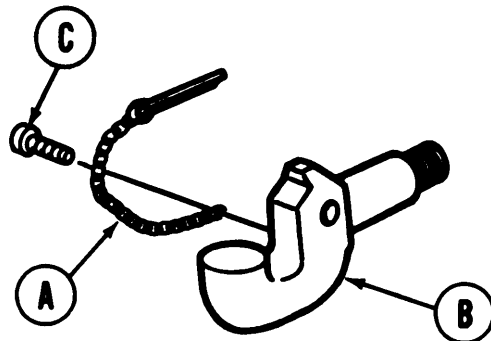
**WARNING**

Cleaning agent specified is flammable. Use only in well ventilated areas. Keep away from flames, sparks, or heat. Do not smoke while using. Prevent contact with eyes, mouth, and/or skin. Wear rubber gloves when performing cleaning procedures.

3. Wash lock cavity with dry cleaning solvent and dry with low pressure compressed air.

ASSEMBLY:

1. Place chain and cotter pin (A) in installation position on towing pintle (B).
2. Using screwdriver, install screw (C) securing chain and cotter pin (A) to pintle (B).

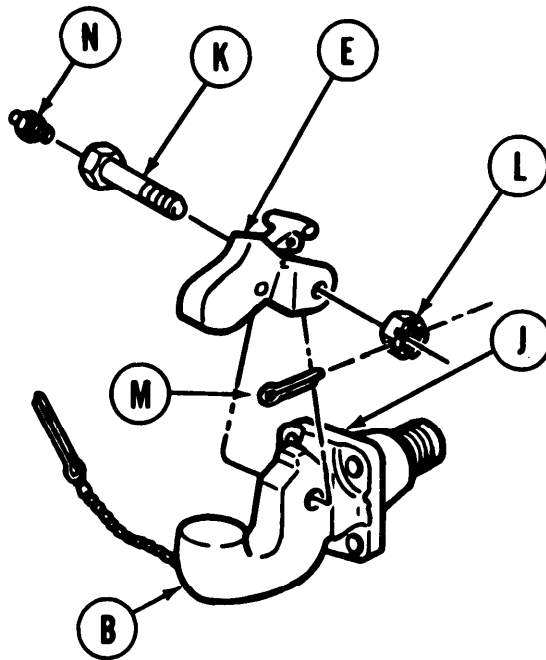
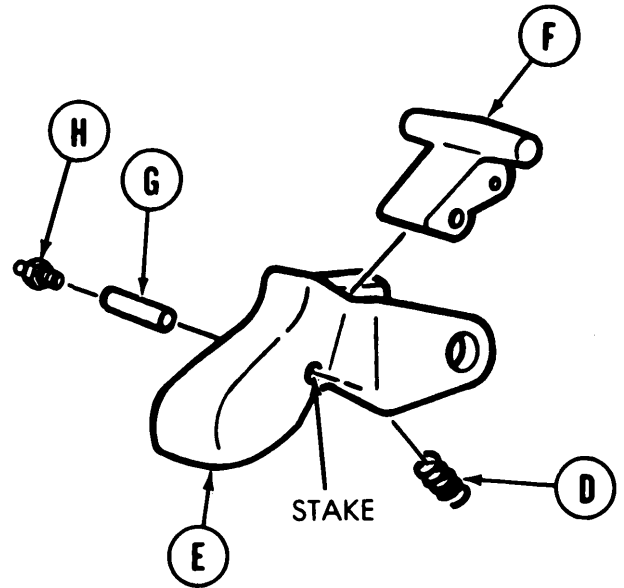


Go on to Sheet 4

TA169416

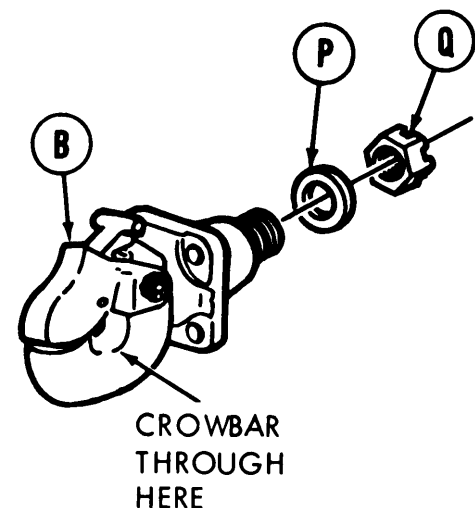
**TOWING PINTLE REPAIR (Sheet 4 of 5)**

3. Place spring (D) in installation position in latch (E).
4. Place latch (F) in installation position in latch (E).
5. Using hammer, install pin (G) securing latch (F) to latch (E).
6. Using hammer and center punch, stake pin (G) in four places to latch (E).
7. Using 5/16 inch socket, install fitting (H) in pin (G).
8. Slide sleeve (J) onto pintle (B).



9. Place latch (E) in installation position on pintle (B).
10. Install bolt (K) through latch (E) and pintle (B). Install nut (L) on bolt (K).
11. Using 1-1/2 inch socket and 1-1/2 inch wrench, tighten bolt (K) and nut (L).
12. Aline hole in bolt (K) with slot in nut (L).
13. Using pliers, install new cotter pin (M) through nut (L) and bolt (K).
14. Using 5/16 inch socket, install fitting (N) in bolt (K).

15. Place flat washer (P) and nut (Q) on towing pintle (B).
16. Place crowbar through hole in towing pintle (B).
17. Using 3-1/4 inch socket, tighten nut (Q), while other technician holds crowbar.

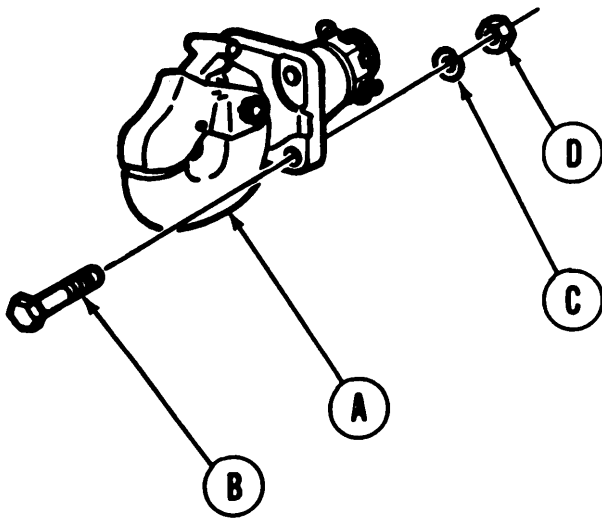
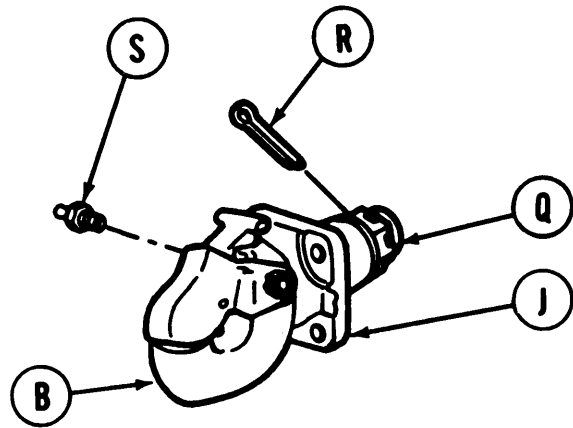


Go on to Sheet 2

TA169417

TOWING PINTLE REPAIR (Sheet 5 of 5)

- 18. Aline hole in pintle (B) with slot on nut (Q).
- 19. Using pliers, install new cotter pin (R) through nut (Q) and pintle (B).
- 20. Using pliers, bend ends of cotter pin (R) to secure cotter pin in place.
- 21. Using 5/16 inch socket, install fitting (S) in sleeve (J) and position as shown.



INSTALLATION:

- 1. Install towing pintle (A) in vehicle mounting brackets.
- 2. Install four bolts (B), lockwashers (C)~ and nuts (D).
- 3. Place 1-5/16 inch wrench on four nuts (D).
- 4. Using 1-5/16 inch socket, tighten four bolts (B).

End of Task

TA169418

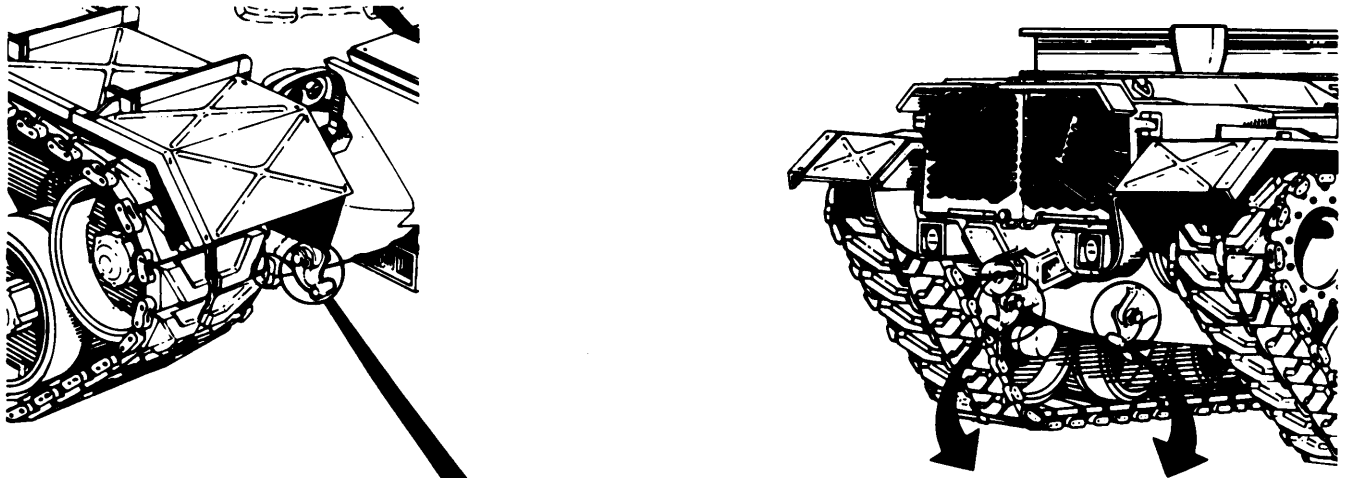


**TOW CABLE HOOK REPLACEMENT (Sheet 1 of 1)**

TOOLS: Long round nose pliers

**NOTE**

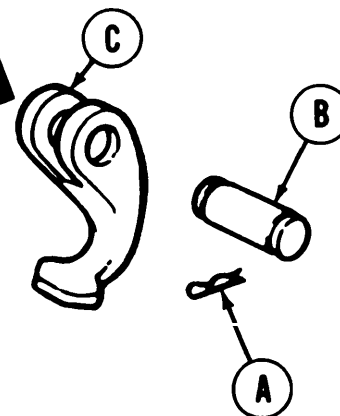
Four hooks are issued with the vehicle. They are located at the front and the rear.

**REMOVAL:**

1. Using pliers, remove two lockpins (A), one from each side of grooved pin (B).
2. Remove grooved pin (B) and hook (C) from vehicle.

**INSTALLATION:**

1. Place hook (C) in position on vehicle.
2. Place grooved pin (B) in position in hook.
3. Using pliers, install two lockpins (A).



End of Task

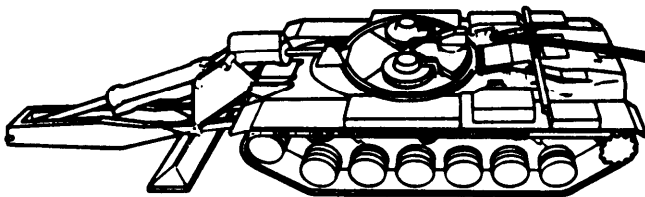
TA169419

FUEL FILLER COVER ASSEMBLY REPLACEMENT (Sheet 1 of 2)

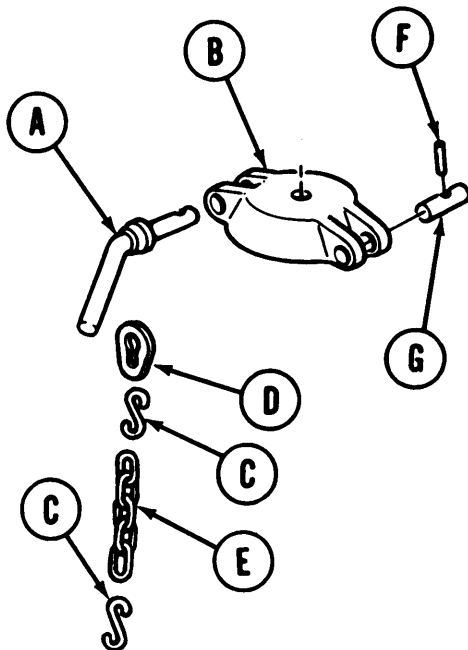
TOOLS: Hammer  
Slip joint pliers  
3/16 in. drive punch

REMOVAL:

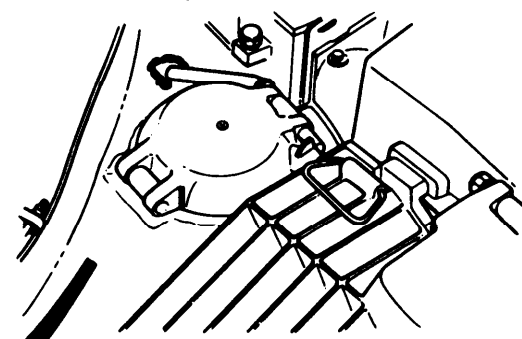
1. Remove handle (A) by pulling out of cover (B).
2. Using pliers, bend back hooks (C) securing ring (D) to handle (A) and vehicle.



3. Remove ring (D) from handle (A).
4. Remove chain (E).

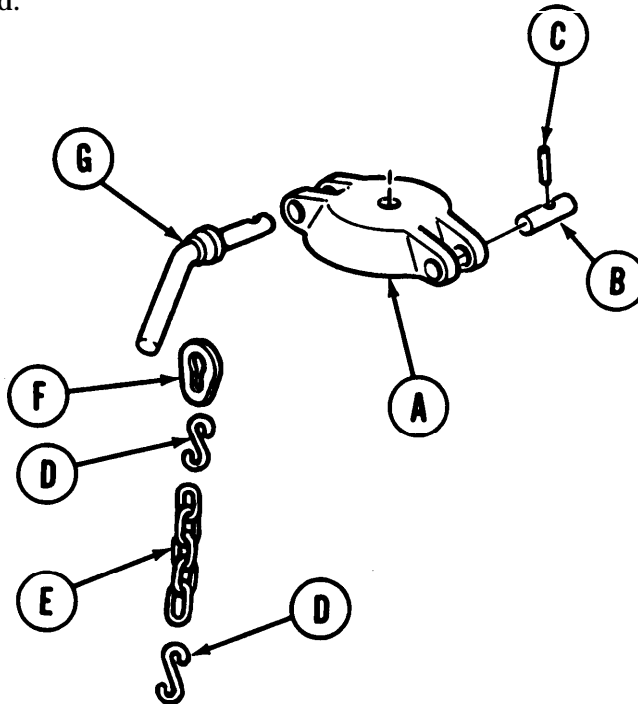


5. Using punch and hammer, remove pin (F) from pin (G) securing cover (B) to vehicle and remove pin (G) and cover (B).



**FUEL FILLER COVER ASSEMBLY REPLACEMENT (Sheet 2 of 2)****INSTALLATION:**

1. Install cover (A) over fuel filler opening.
2. Using hammer and punch, install pin (B) through cover (A) opening and secure with pin (C).
3. Install two hooks (D) to ends of chain (E) and, using pliers, press closed on chain.
4. Using pliers, install ring (F) to handle (G).
5. Using pliers, install hook (D) to ring (F) and vehicle and press closed.



6. Move handle (G) in and out of cover (A) two or three times to make sure handle (G) does not stick in cover (A).

End of Task

TA169421

**TM 5-5420-226-20-3**

**INTAKE GRILLE DOOR NO.1 LEFT AND RIGHT REPLACEMENT (Sheet 1 of 1)**

**TOOLS:** 3/4 in. socket with 1/2 in. drive  
Ratchet with 1/2 in. drive

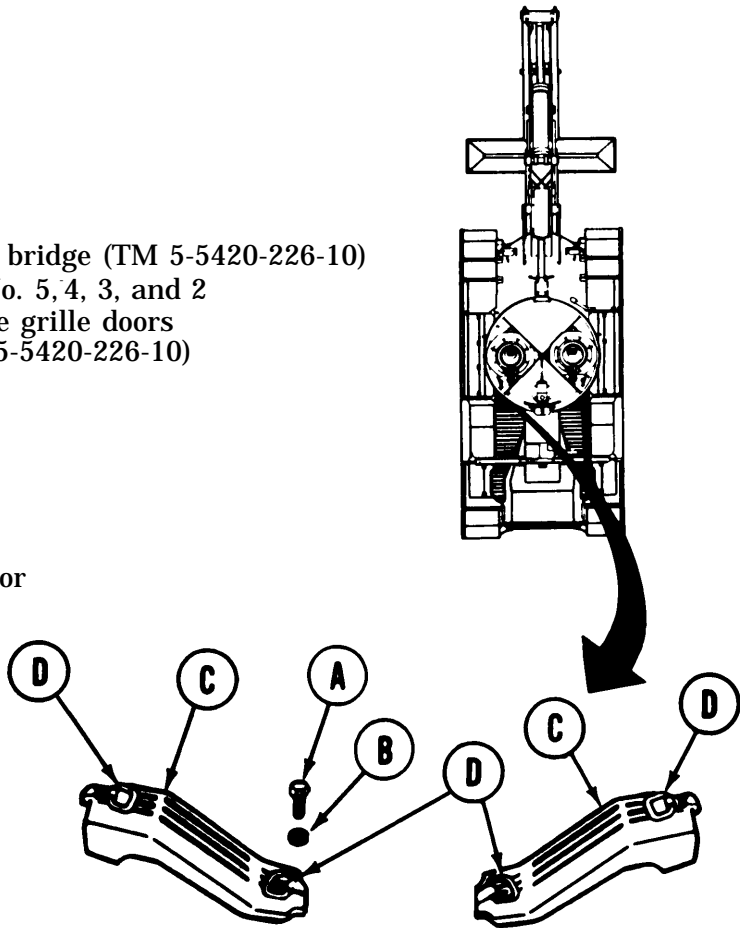
**PERSONNEL:** Two

**REFERENCE:** TM 5-5420-226-10

**PERLIMINARY PROCEDURES:** Launch bridge (TM 5-5420-226-10)  
Open No. 5, 4, 3, and 2  
intake grille doors  
(TM 5-5420-226-10)

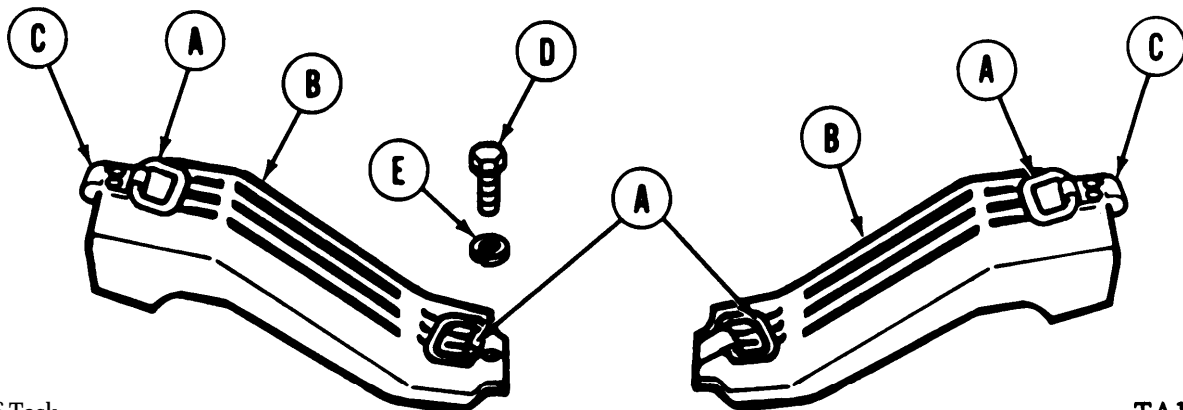
**REMOVAL:**

1. Using socket, remove screw (A) and lockwasher (B) from door (C).
2. Using handle (D), lift door (C) until door (C) disengages from vehicle.
3. Using second technician, remove door (C) from vehicle.
4. Repeat steps 1 through 3 for opposite side of vehicle.



**INSTALLATION):**

1. With two technicians using handle (A), lift door (B) above vehicle and slowly lower, making sure bracket (C) fits into slot in vehicle before lowering door (B) to closed position.
2. Using socket, install screw (D) and lockwasher (E) into door (B) securing door (B) to vehicle.
3. Repeat steps 1 through 3 for opposite side of vehicle.
4. Close Nos. 2, 3, 4, and 5 intake grille doors (TM 5-5420-226-10).



End of Task

TA169422

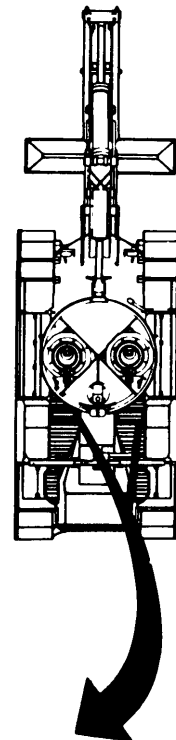
**INTAKE GRILLE DOOR NO. 2 LEFT AND RIGHT REPLACEMENT (Sheet 1 of 1)**

**TOOLS:** 1-1/8 in. socket with 1/2 in. drive  
 Ratchet with 1/2 in. drive  
 Pliers

**PERSONNEL:** Two

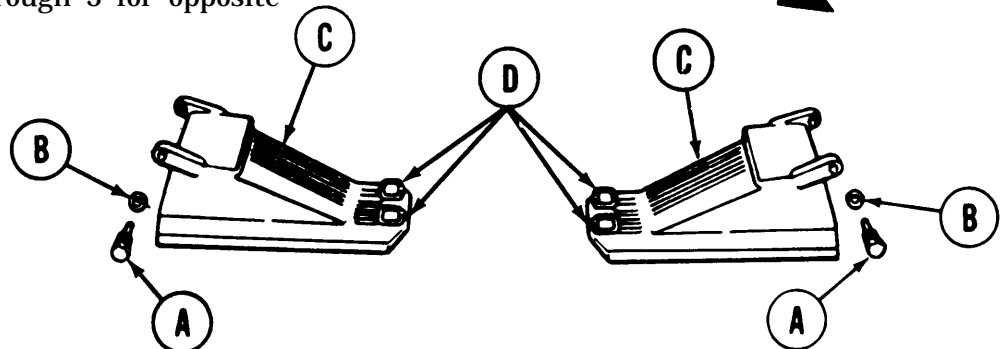
**REFERENCE:** TM 5-5420-226-10

**PRELIMINARY PROCEDURES:** Launch bridge (TM 5-5420-226-10)  
 Open Nos. 4, and 3  
 intake grille doors  
 (TM 5-5420-226-10)



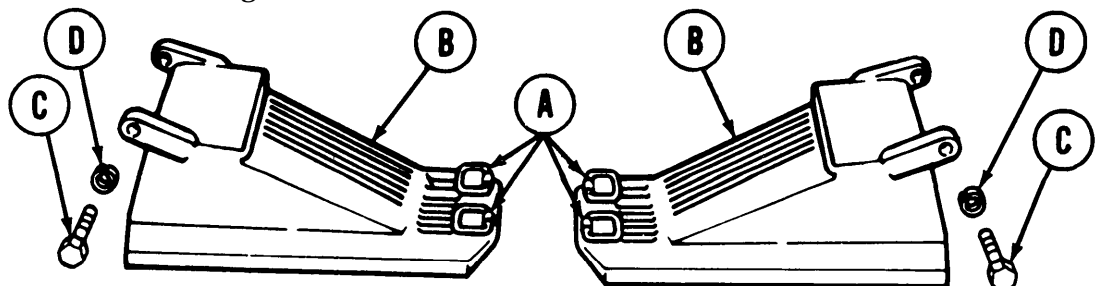
**REMOVAL:**

1. Using socket, remove two screws (A) and lockwashers (B).
2. Using second technician, lift door (C) with handles (D) straight up.
3. Remove door (C) from vehicle.
4. Repeat steps 1 through 3 for opposite side of vehicle.



**INSTALLATION:**

1. With two technicians using handles (A), lift door (B) above vehicle and slowly lower into place. Make sure holes in door (B) hinge align with holes in vehicle.
2. Using two screws (C) and lockwashers (D), secure door (B) to vehicle. Use socket to tighten screws.
3. Repeat steps 1 through 3 for opposite side of vehicle.
4. Close No. 3, 4, and 5 intake grille doors (TM 5-5420-226-10).



End of Task

TA169423

**INTAKE GRILLE DOOR NO. 3 LEFT AND RIGHT REPLACEMENT (Sheet 1 of 2)**

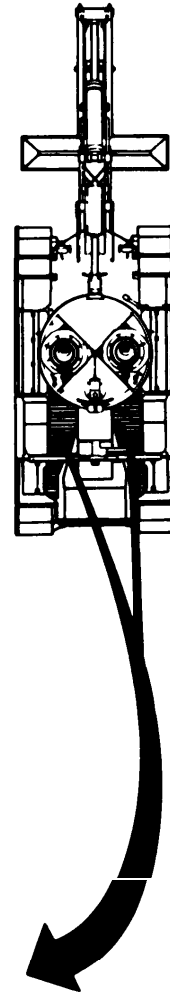
TOOLS: Long round nose pliers

SUPPLIES: Cotter pin

PERSONNEL: Two

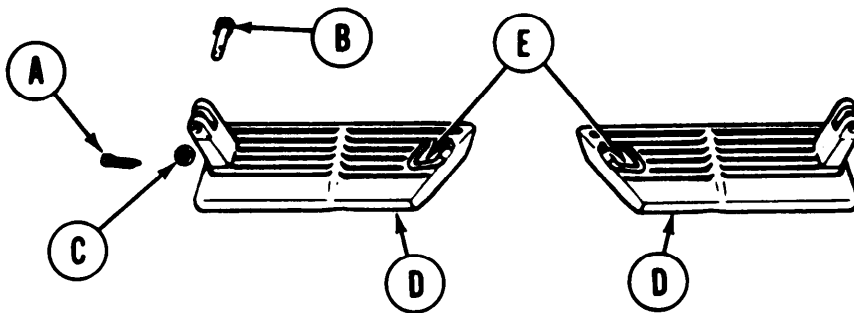
REFERENCE: TM 5-5420-226-10

PRELIMINARY PROCEDURES: Launch bridge (TM 5-5420-226-10)  
Open Nos. 5 and 4  
intake grille doors  
(TM 5-5420-226-10)



**REMOVAL:**

1. Using pliers, remove cotter pin (A) from pin (B) and throw cotter pin (A) away. Remove pin (B) and washer (C) from door (D).
2. Using second technician lift door (D) with handle (E) straight up.



3. Remove door (D) from vehicle.
4. Repeat steps 1 through 3 for opposite side of vehicle.

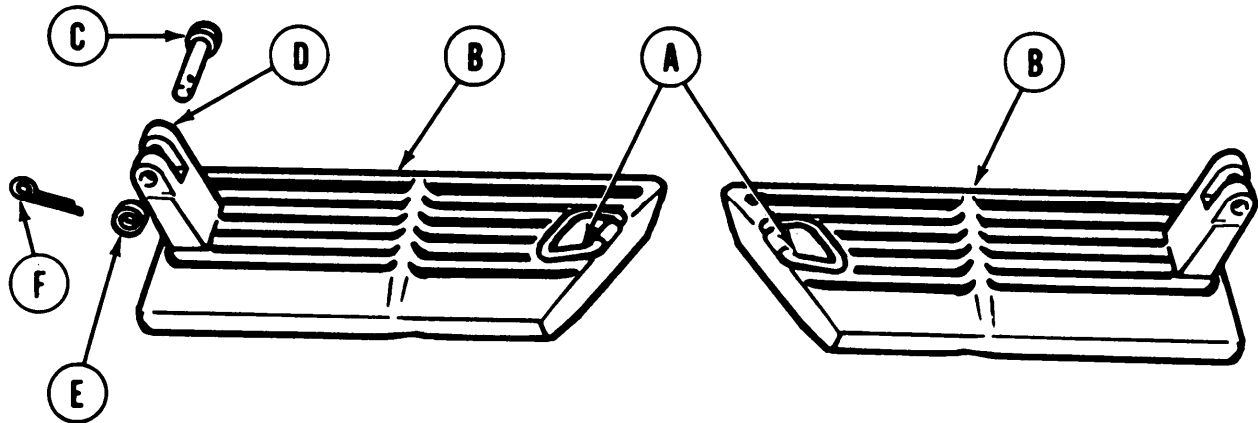
Go on to Sheet 2

TA169424

**INTAKE GRILLE DOOR NO. 3 LEFT AND RIGHT REPLACEMENT (Sheet 2 of 2)**

INSTALLATION :

1. With two technicians using handle (A), lift door (B) above vehicle and slowly lower into place. Make sure hinge on door (B) aligns with holes in vehicle.
2. Insert pin (C) through holes (D). Install washer (E) onto pin (C). Push new cotter pin (F) through hole in pin (C).
3. Using pliers, spread each side of new cotter pin (F) so it cannot be removed from pin (C).
4. Repeat steps 1 through 3 for opposite side of vehicle.
5. Close Nos. 4 and 5 intake grille doors (TM 5-5420-226-10).



End of Task

**INTAKE GRILLE DOOR NO. 4 LEFT AND RIGHT REPLACEMENT (Sheet 1 of 1)**

TOOLS: 1-1/8 in. socket with 1/2 in. drive  
Ratchet with 1/2 in. drive

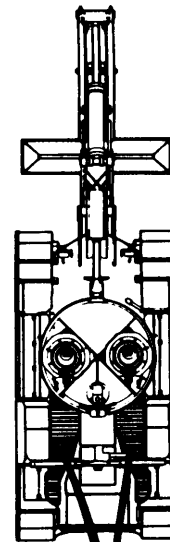
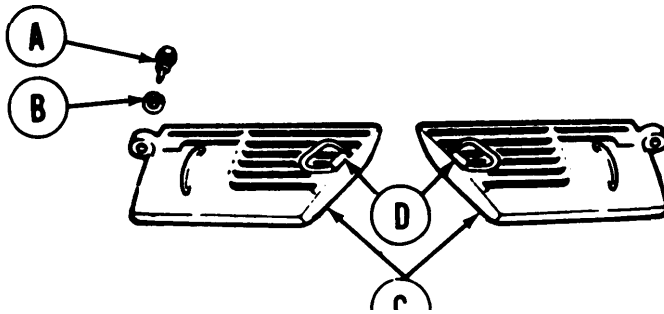
PERSONNEL: Two

REFERENCE: TM 5-5420-226-10

PRELIMINARY PROCEDURES: Launch bridge (TM 5-5420-226-10)  
Open No. 5 intake grill door (TM 5-5420-226-10)

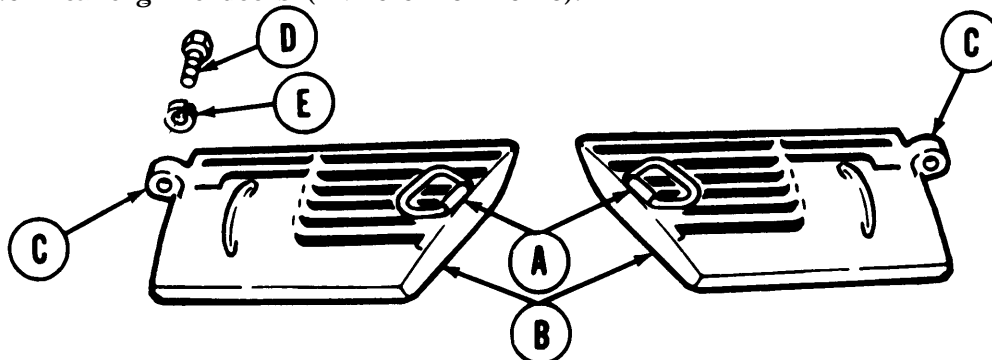
**REMOVAL:**

1. Using socket, remove screw (A) and lockwasher (B) from door (C).
2. Using second technician, lift door (C) with handle (D) straight up.
3. Remove door (C) from vehicle.
4. Repeat steps 1 through 3 for opposite side of vehicle.



**INSTALLATION:**

1. Using handle (A), lift door (B) above vehicle and slowly lower into place. Make sure hinge hole (C) indoor (B) aligns with hole in vehicle.
2. Using screw (D) and lockwasher (E), secure door (B) to vehicle. Use socket to tighten screw (D).
3. Repeat steps 1 and 2 for opposite side of vehicle.
4. Close no.5 intake grille doors (TM 5-5420-226-10).



End of Task

TA169426



**INTAKE GRILLE DOOR NO. 5 LEFT AND RIGHT REPLACEMENT (Sheet 1 of 2)**

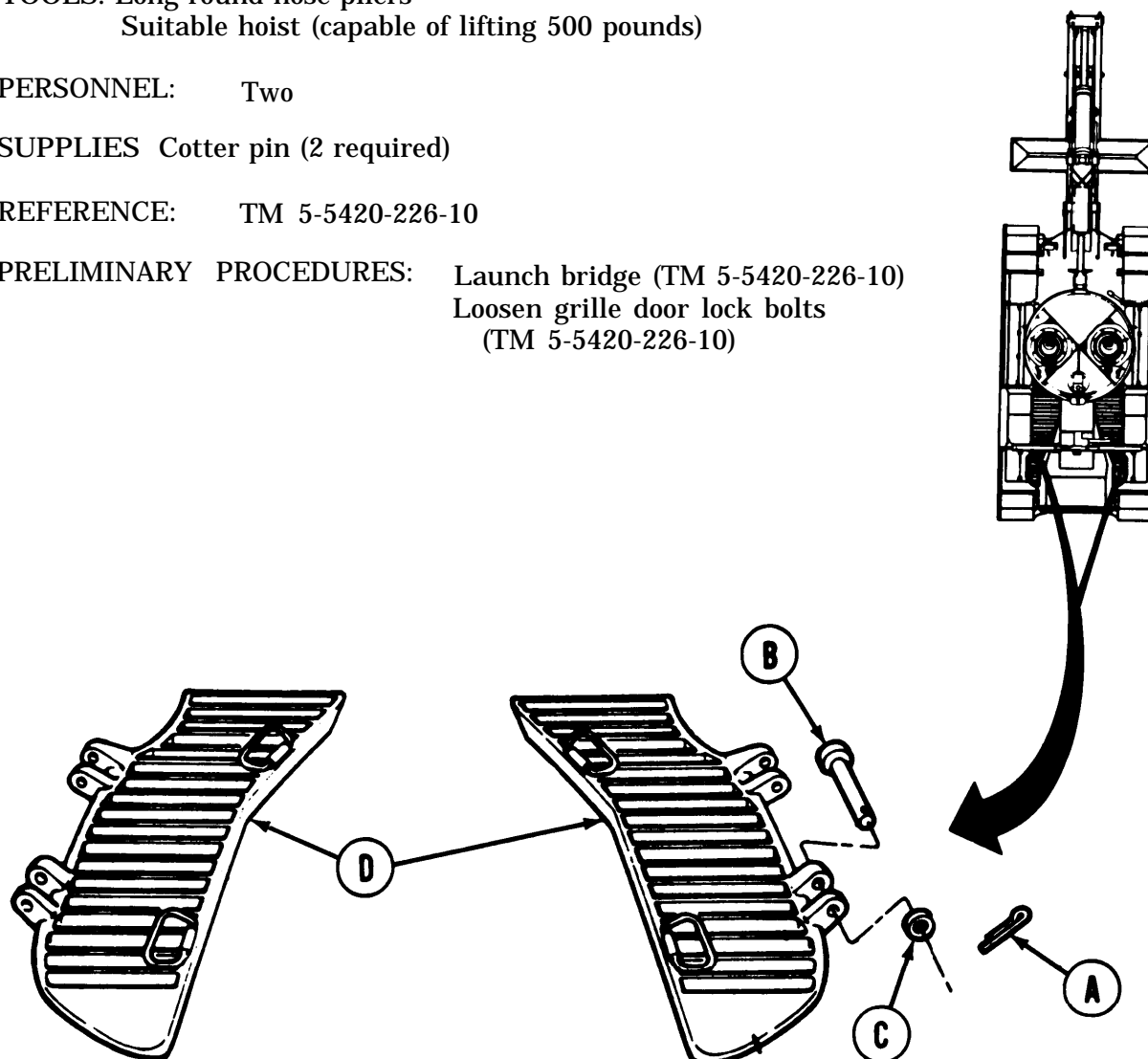
**TOOLS:** Long round nose pliers  
 Suitable hoist (capable of lifting 500 pounds)

**PERSONNEL:** Two

**SUPPLIES** Cotter pin (2 required)

**REFERENCE:** TM 5-5420-226-10

**PRELIMINARY PROCEDURES:** Launch bridge (TM 5-5420-226-10)  
 Loosen grille door lock bolts  
 (TM 5-5420-226-10)



**REMOVAL:**

1. Using pliers, remove two cotter pins (A) from two pins (B). Throw cotter pins (A) away.
2. Remove pins (B) and flat washers (C).
3. Using second technician and suitable hoist, lift door (D) from vehicle.
4. Repeat steps 1 through 3 for opposite side of vehicle.

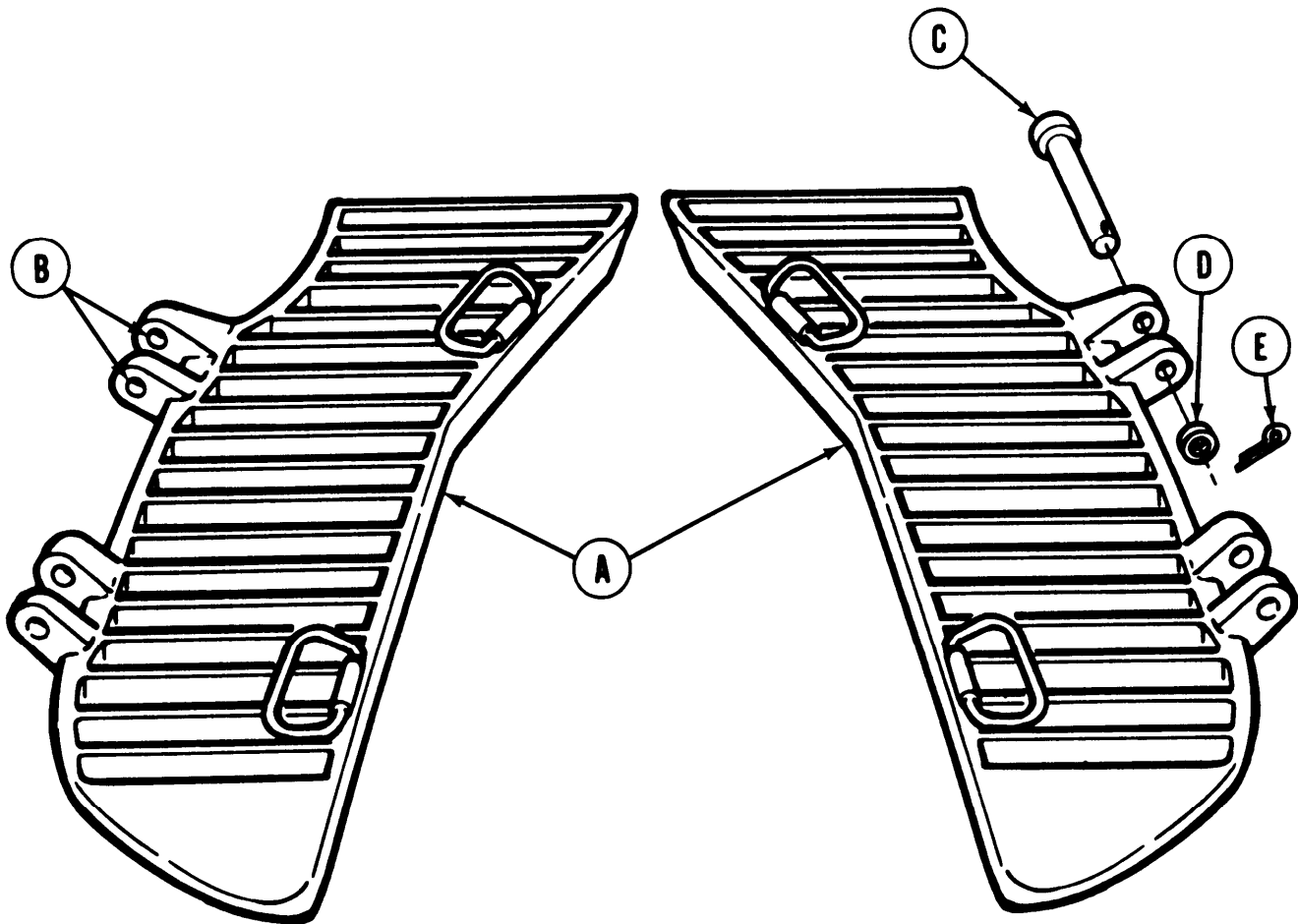
Go on to Sheet 2

TA169427

INTAKE GRILLE DOOR NO. 5 LEFT AND RIGHT REPLACEMENT (Sheet 2 of 2)

INSTALLATION:

1. Using second technician and suitable hoist, raise door (A) over vehicle and slowly lower into place. Make sure hinge holes (B) align with holes in vehicle.
2. Insert two pins (C) through hinge holes (B) and holes in vehicle. Install two flat washers (D) onto two pins (C). Install two new cotter pins (E) through holes in pins (C).
3. Using pliers, spread each side of two cotter pins (E) so cotter pin cannot be removed from pins (C).
4. Repeat steps 1 through 3 for opposite side of vehicle.
5. Tighten grille door lock bolts (TM- 55420-226-10).



End of Task

**EXHAUST DOORS REPLACEMENT (Sheet 1 of 4)**

**PROCEDURE INDEX**

PROCEDURE	PAGE
Removal	16-17
Installation	16-19

**TOOLS:** 1-1/8 in. socket with 1/2 in. drive  
 Ratchet with 1/2 in. drive  
 9/16 in. socket with 1/2 in. drive  
 5 in. extension with 1/2 in. drive  
 Ball peen hammer  
 Needle nose pliers  
 Pinch bar  
 Drift punch  
 Suitable hoist

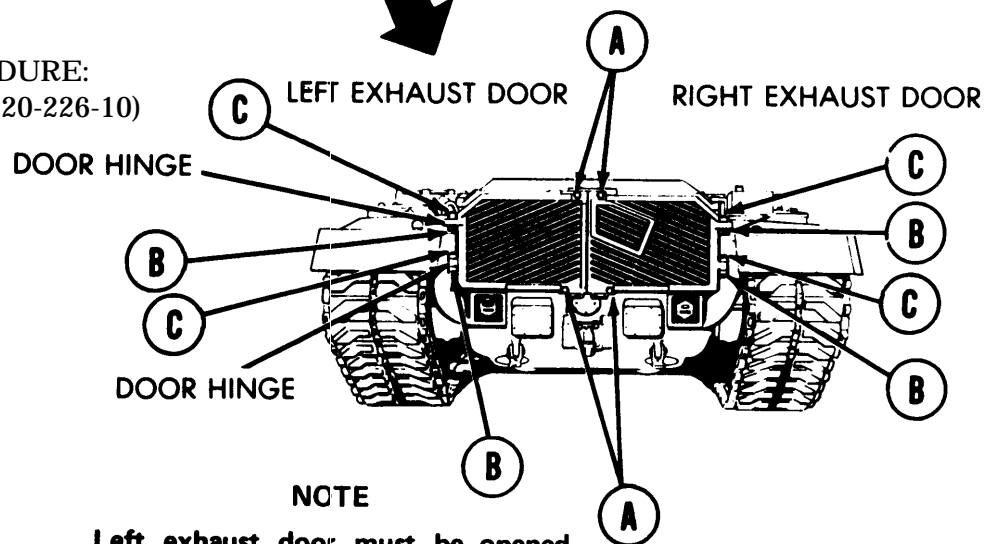
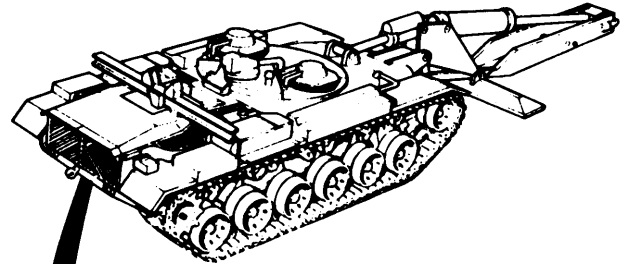
**SPECIAL TOOLS:** Sling (Item 31, Chapter 3, Section 1)

**SUPPLIES:** Cotter pin (4 required)

**REFERENCE:** TM 5-5420-226-10

**PERSONNEL:** Three

**PRELIMINARY PROCEDURE:**  
 Launch bridge (TM 5-5420-226-10)



**NOTE**  
**Left exhaust door must be opened first.**

**REMOVAL:**

- Using 1-1/8 inch socket, remove four screw assemblies (A).
- Using pliers, remove two cotter pins (B) securing headed pins (C) in door hinges. Throw cotter pins (B) away.

Go on to Sheet 2

TA169429

**EXHAUST DOORS REPLACEMENT (Sheet 2 of 4)**

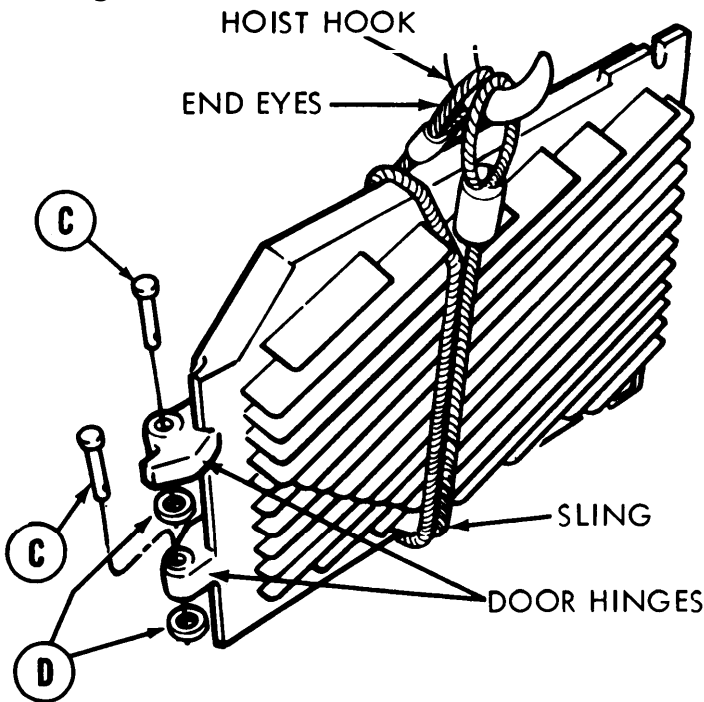
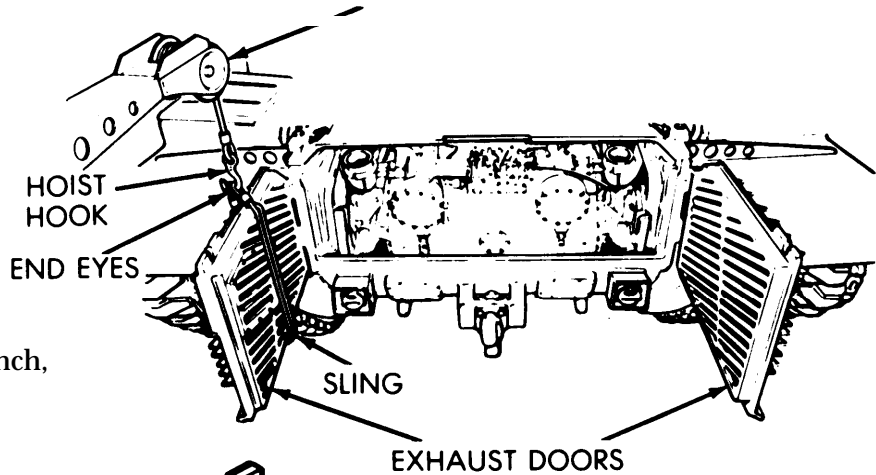
3. Position crane with hoist to rear of vehicle.

4. Wrap sling around door. Put two end eyes of sling over hoist hook.

5. Using hoist, tighten sling around door.

6. Using hammer and drift punch, drive two pins (C) out of hinges.

CRANE (WITH HOIST)

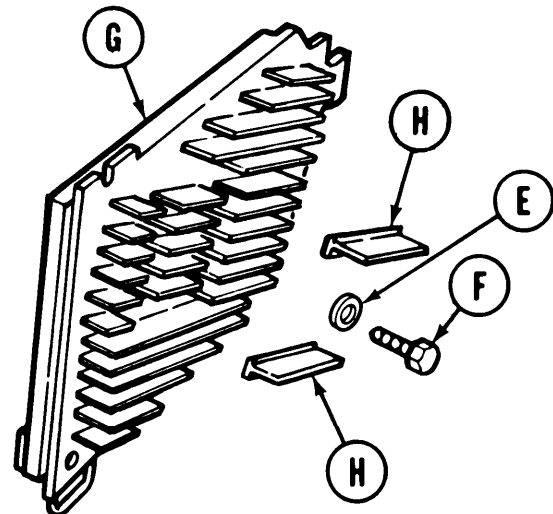


7. Remove two pins (C) and flat washers (D).

8. Using pinch bar, pry door away from hull mounting.

9. Using hoist and sling, move door to clean working area.

10. Repeat steps 2 through 9 for opposite side of vehicle.



11. Using 9/16 inch socket with extension, remove 22 assembled flat washers (E) and screws (F) from right side exhaust door (G) only.

12. Remove two deflectors (H) from right side door only.

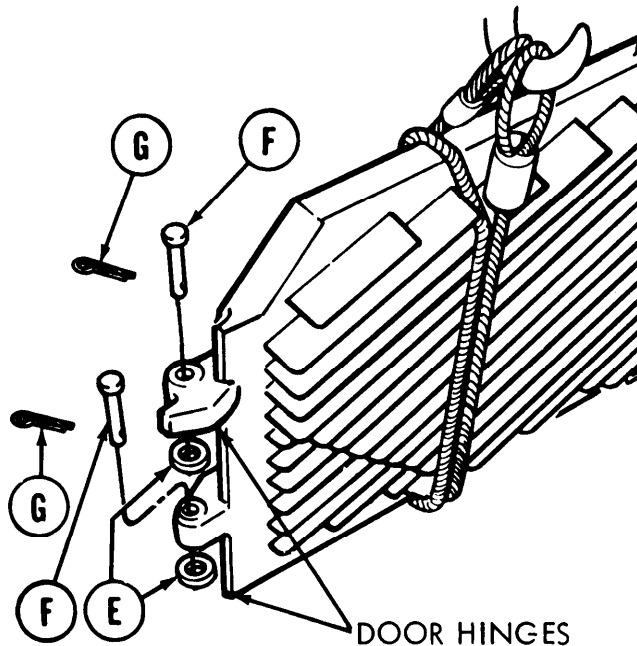
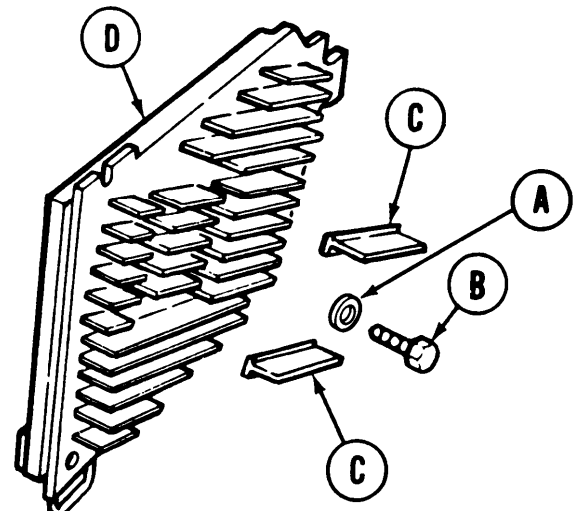
Go on to Sheet 3

TA169430

**EXHAUST DOORS REPLACEMENT (Sheet 3 of 4)**

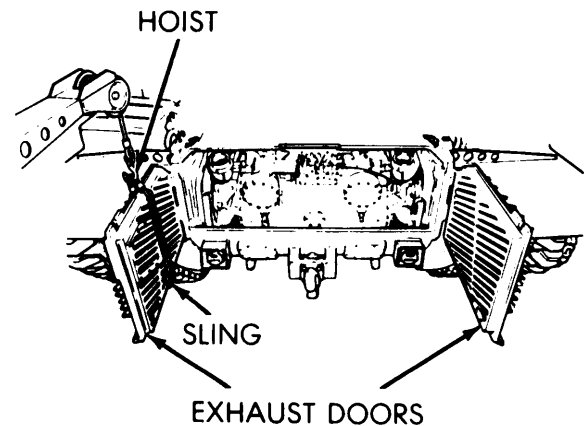
**INSTALLATION :**

1. Install 22 assembled flat washers (A) and screws (B) to secure two deflectors (C) mounted on right side only exhaust door (D). Using 9/16 inch socket with extension, tighten screws (A).
2. Using sling with hoist, lift door to mounting position at rear of hull.
3. Using assist ante from other technicians, mount door to two hinges.



4. Install flat washers (E), use as many as necessary, to aline door screw holes with hull mating holes.
5. Using ball peen hammer, drive two headed straight pins (F) into two door hinges.
6. Using ball peen hammer with pliers, install two new cotter pins (G) through straight pins (F).

7. Using pliers, spread each side of cotter pins (G) so it cannot be removed.
8. Remove sling.
9. Repeat steps 2 through 8 for opposite side of vehicle.
10. Close exhaust doors. (Left door first.)

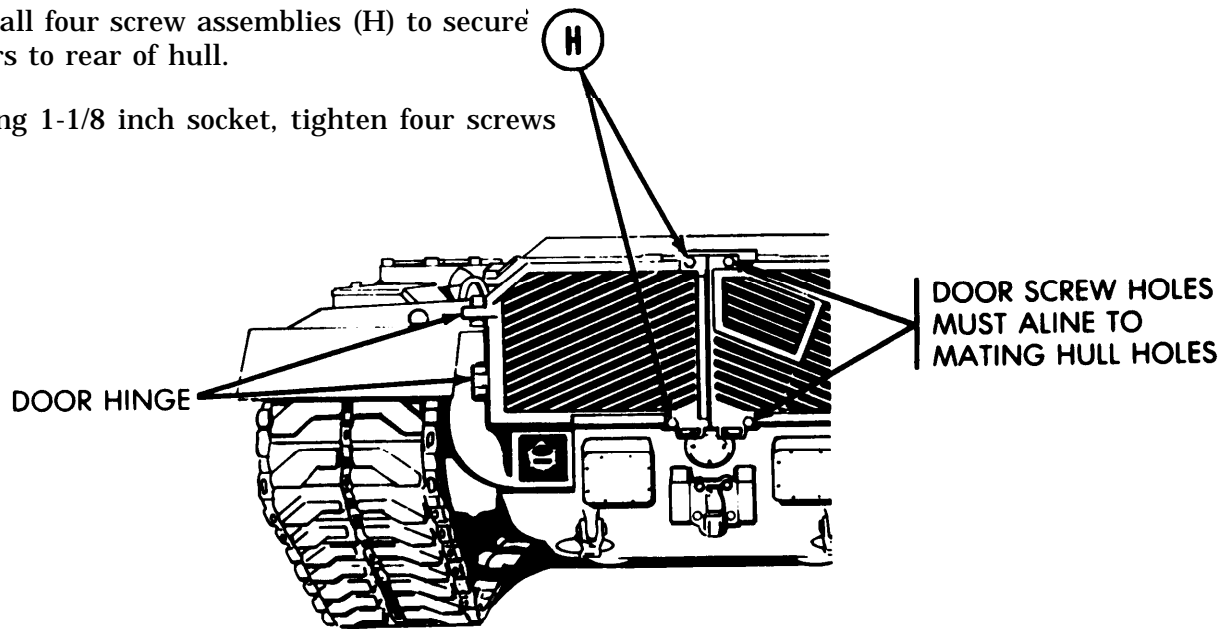


Go on to Sheet 4

TA169431

EXHAUST DOORS REPLACEMENT (Sheet 4 of 4)

11. Install four screw assemblies (H) to secure doors to rear of hull.
12. Using 1-1/8 inch socket, tighten four screws (H).



End of Task

TA169432

TOP DECK FRAME ASSEMBLY REPLACEMENT (Sheet 1 of 10)  
 Top Deck Replacement (Sheet 1 of 4)

SUBTASK INDEX

PROCEDURE	PAGE
Top Deck Replacement	16-21
Top Deck Door Panels Replacement	16-25
Top Deck Insulator Panel Replacement	16-27

PROCEDURE INDEX

PROCEDURE	PAGE
Removal	16-21
Installation	16-23

TOOLS: Socket handle (breaker bar)  
 1-1/2 in. socket with 3/4 in. drive  
 Ratchet with 3/4 in. drive  
 3/4 in. socket with 1/2 in. drive  
 1-1/8 in. socket with 3/4 in. drive  
 15/16 in. socket with 3/4 in. drive  
 1-1/8 in. open end wrench  
 Hoist (4,000 lb minimum capacity)  
 Ratchet with 1/2 in. drive

SUPPLIES: Lockwashers (12 required)

SPECIAL TOOLS: Sling (Item 31, Chapter 3, Section I)

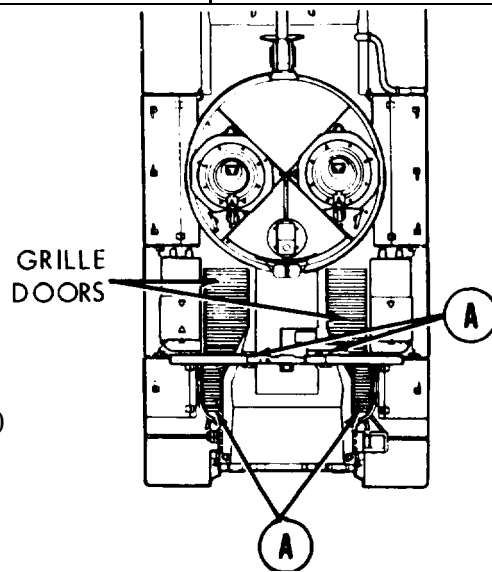
PERSONNEL Three

REFERENCE: TM 5-5420-226-10

PRELIMINARY PROCEDURES: Launch bridge (TM 5-5420-226-10).  
 If equipped, remove MICLIC support bracket (TM 9-1375-215-14&P).  
 Disconnect holddown cylinder hose assemblies CV3 and CV4 at manifold (TM 5-5420-227-24).

REMOVAL:

- Using 15/16 inch socket with ratchet, loosen four locking screws (A) securing top grille doors.



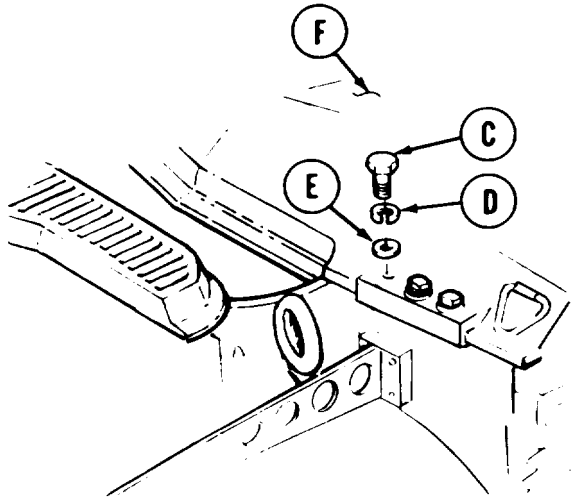
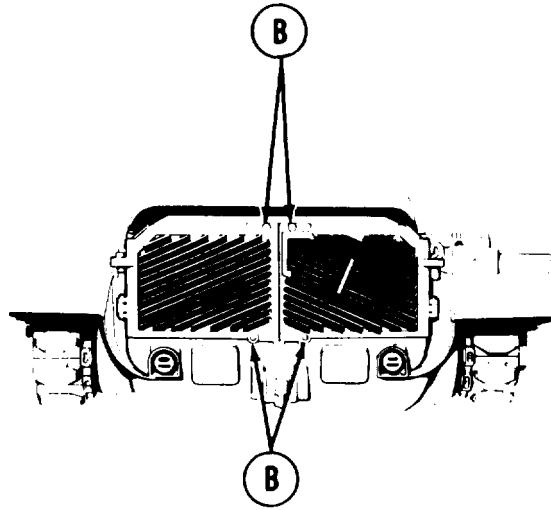
Go on to Sheet 2

TOP DECK FRAME ASSEMBLY REPLACEMENT (Sheet 2 of 10)  
Top Deck Replacement (Sheet 2 of 4)

2. Open eight top deck grille doors (four each side) (TM 5-5420-226-10).
3. Using 1-1/8 inch socket, remove four screw assemblies (B) securing rear exhaust grille doors to hull.
4. Open rear exhaust grille doors.

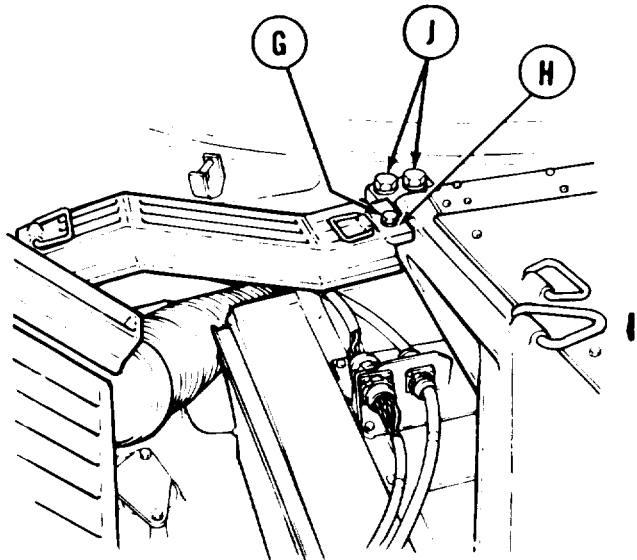
NOTE

It may be necessary to use breaker bar to remove screws (c).



5. Using 1-1/2 inch socket, remove six screws (C), lockwashers (D), and flat washers (E) securing top deck (F) to hull.

6. Using 3/4 inch socket, remove two screws (G) and lockwashers (H) securing two intake grille doors to top deck. Remove doors.
7. Using 1-1/8 inch wrench, loosen four bolts (J) securing top deck to hull.

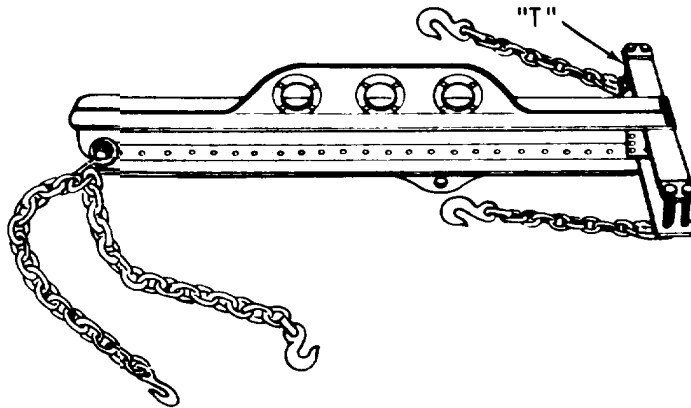


Go on to Sheet 3



TOP DECK FRAME ASSEMBLY REPLACEMENT (Sheet 3 of 10)  
 Top Deck Replacement (Sheet 3 of 4)

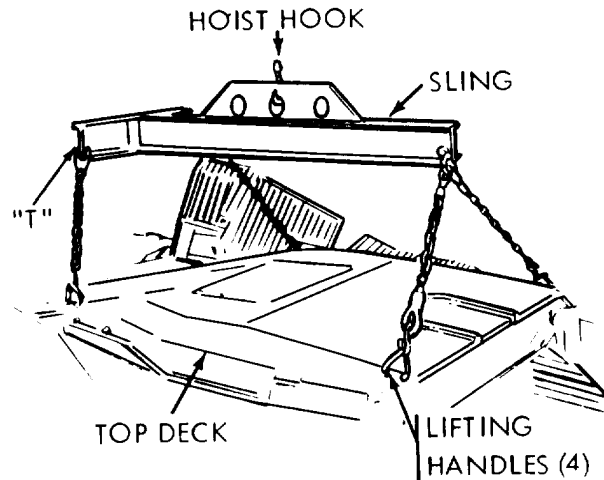
8. Using two other technicians, get sling to lift top deck off vehicle.
9. Place hoist hook through middle eye of sling. Use hoist with at least 4,000 lb capacity to lift top deck.
10. Using hoist, position sling with "T" toward front of vehicle.
11. Guide sling over top deck.
12. Connect four sling hooks to four lifting handles of top deck.



WARNING

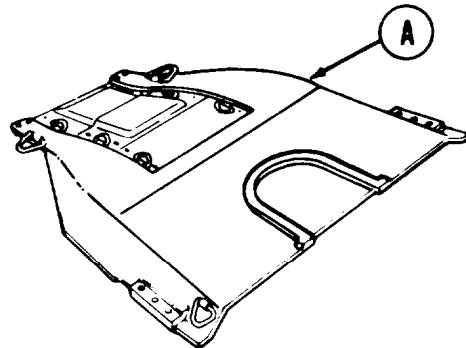
Be careful when lifting top deck. Serious injury to personnel can result from careless handling.

13. Lift top deck off vehicle. Put top deck down in work area.



INSTALLATION:

1. Using hoist with sling, lift top deck (A) into position over powerplant. Sling "T" should be toward front of vehicle.
2. Lower top deck (A) into mounting position.

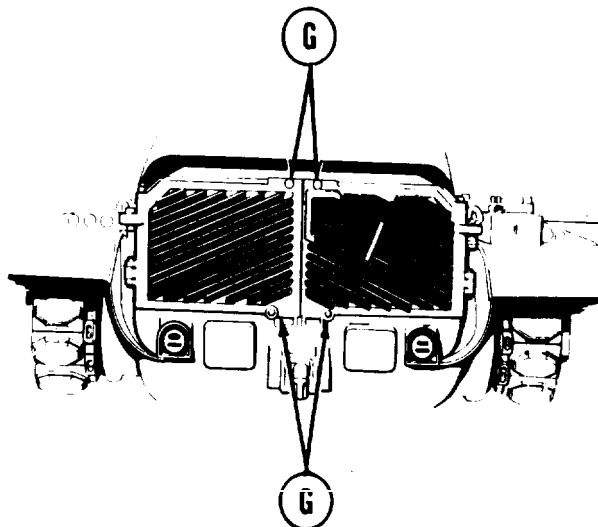
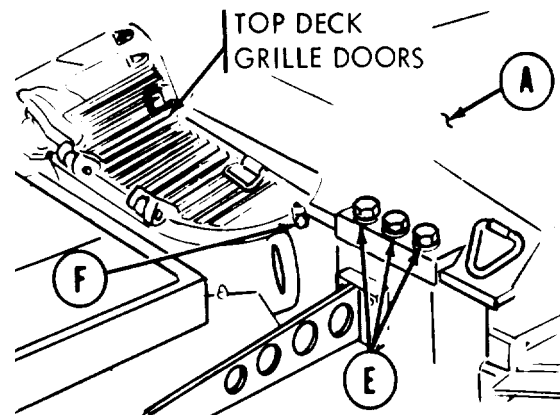
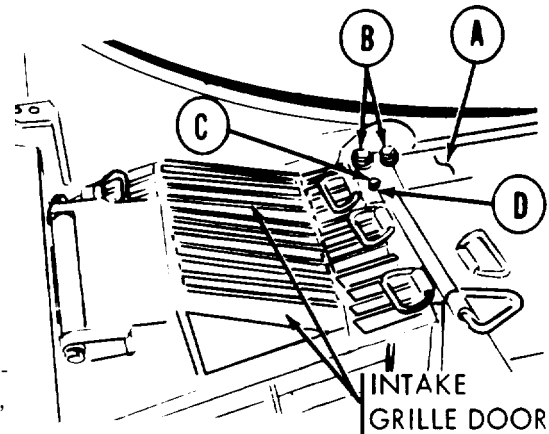


Go on to Sheet 4

TOP DECK FRAME ASSEMBLY REPLACEMENT (Sheet 4 of 10)

Top Deck Replacement (Sheet 4 of 4)

3. Using 1-1/8 inch wrench, tighten four bolts (two each side) (B) securing top deck (A) to front frame.
4. Mount two intake grille doors (one on each side) of top deck.
5. Using 3/4 inch socket, install two screws (C) and lockwashers (D) (one each side) securing two intake grille doors to top deck.
6. If equipped, install MICLIC support bracket (TM 9-1375-215-14&P). If not, install six screws, lockwashers, and flat washers (E) to top deck (A).
7. Using 1-1/2 inch socket, tighten six screws (E).
8. Close top grille doors (four each side). (TM 5-5420-226-10).
9. Using 15/16 inch socket, tighten two locking screws (F) securing top grille doors.



10. Close two exhaust grille doors. Using 1-1/8 inch socket, install four screw assemblies (G) to secure doors.
11. Connect holddown cylinder hose assemblies CV3 and CV4 at manifold (TM 5-5420-227-24).

End of Task

**TOP DECK FRAME ASSEMBLY REPLACEMENT (Sheet 5 of 10)**  
**Top Deck Door Panels Replacement (Sheet 1 of 2)**

**TOOLS:** 9/16 in. socket with 1/2 in. drive  
 Ratchet with 1/2 in. drive  
 Socket handle (breaker bar)

**REFERENCE:** TM 5-5420-226-10

**PRELIMINARY PROCEDURE:** Launch bridge (TM 5-5420-226-10)

**NOTE**

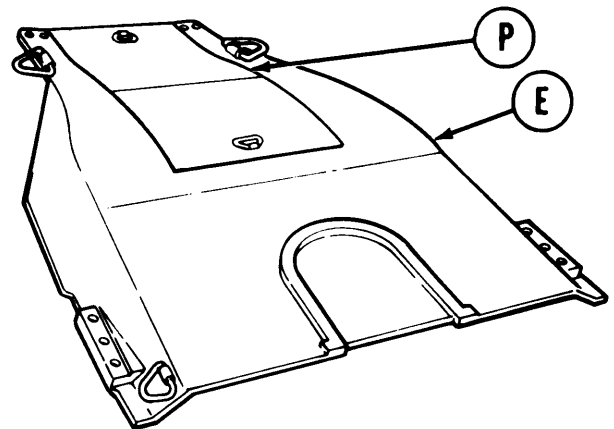
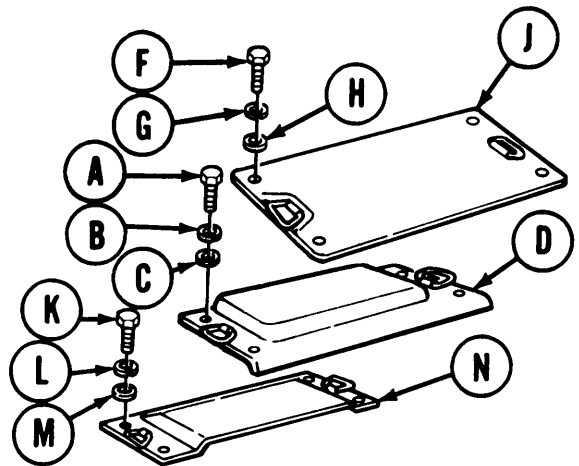
**These door panels may be removed from top deck either with top deck on or off vehicle.**

**NOTE**

**It may be necessary to use breaker bar to remove screws.**

**REMOVAL:**

1. Using 9/16 inch socket, remove four screws (A), lockwashers (B) and flat washers (C) securing engine door (D). Remove door (D) from top deck frame (E).
2. Using 9/16 inch socket, remove four screws (F), lockwashers (G), and flat washers (H) securing cover (J). Remove cover (J) from top deck frame (E).
3. Using 9/16 inch socket, remove four screws (K), lockwashers (L), and flat washers (M) securing door (N). Remove door (N) from top deck frame (E).
4. Remove access cover panel (P) from top deck frame (E).



Go on to Sheet 2

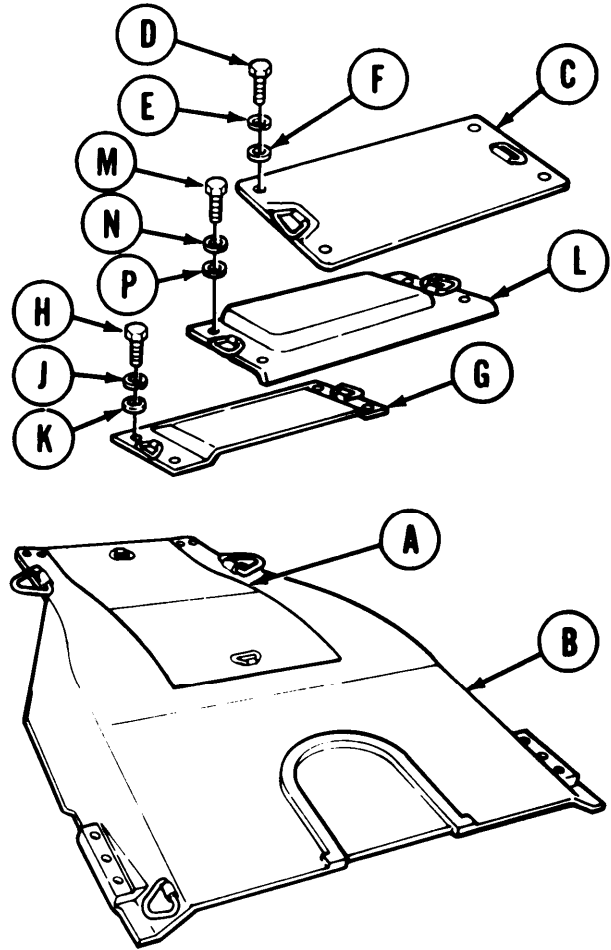
TA169437

TOP DECK FRAME ASSEMBLY REPLACEMENT (Sheet 6 of 10)

Top Deck Door Panels Replacement (Sheet 2 of 2)

INSTALLATION:

1. Install access cover panel (A) into frame (B).
2. Install door (C) into top deck frame (B). Using 9/16-inch socket and ratchet, install four screws (D), lockwashers (E), and flat washers (F) securing door.
3. Install cover (G) into top deck frame (B). Using 9/16 inch socket and ratchet, install four screws (H), lockwashers (J), and flat washers (K) securing cover (G).
4. Install door (L) into top deck frame (B). Using 9/16 inch socket and ratchet, install four screws (M), lockwashers (N), and flat washers (P) securing door (L).



End of Task

**TOP DECK FRAME ASSEMBLY REPLACEMENT (Sheet 7 of 10)**  
**Top Deck Insulator Panel Replacment (Sheet 1 of 4)**

PROCEDURE INDEX

PROCEDURE	PAGE
Removal	16-27
Installation	16-29

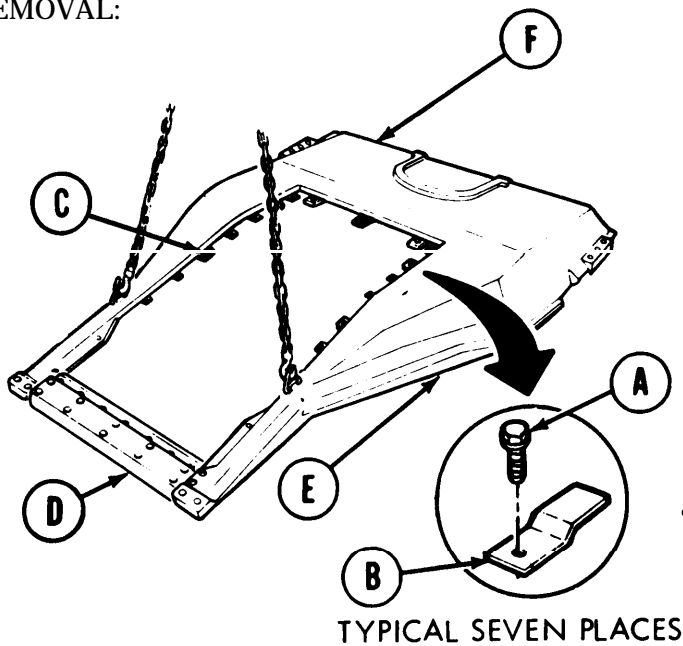
**TOOLS:** Ratchet with 1/2 in. drive  
 7/16 in. socket with 1/2 in. drive  
 9/16 in. socket with 1/2 in. drive  
 Drift pin  
 Hoist (capable of lifting 4,000 pounds)

**SPECIAL TOOLS:** Sling (Item 31, Chapter 3, Section 2)

**PERSONNEL:** Two

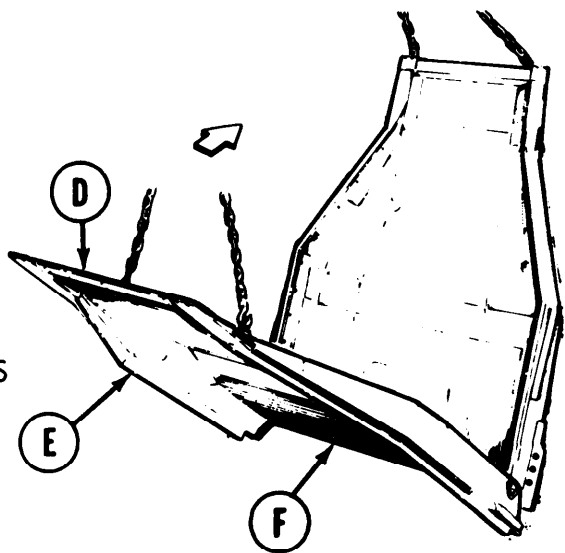
**PRELIMINARY PROCEDURES:** Remove top deck (page 16-21)  
 Remove top deck door panels (page 16-25)

**REMOVAL:**



Using 7/16 inch socket, remove seven screws (A) and strap (B) from frame (C).

Fasten two hoist chains to end (D) of top deck (E).



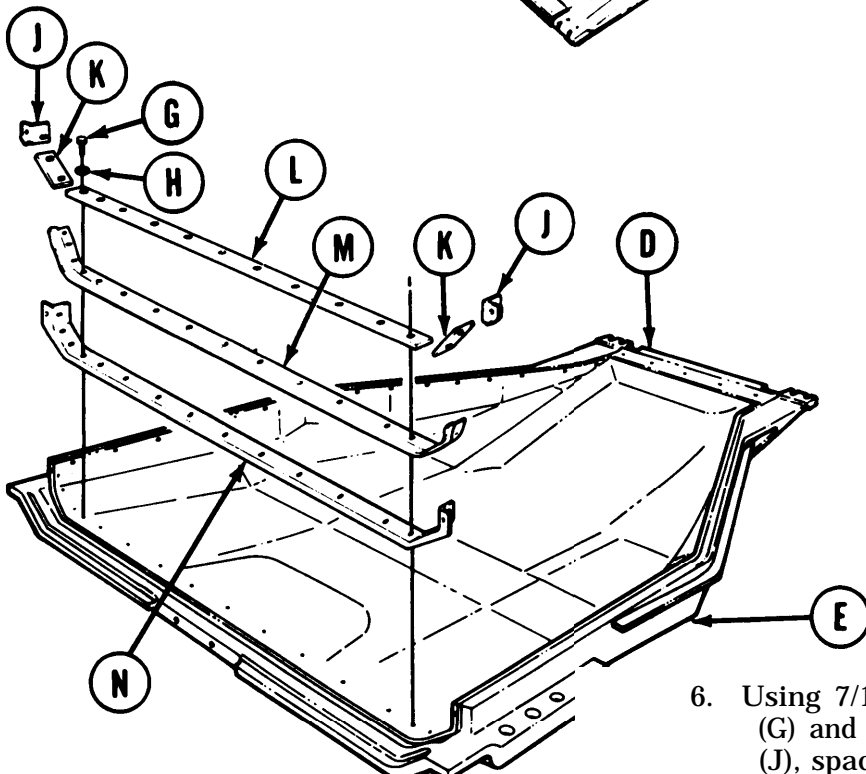
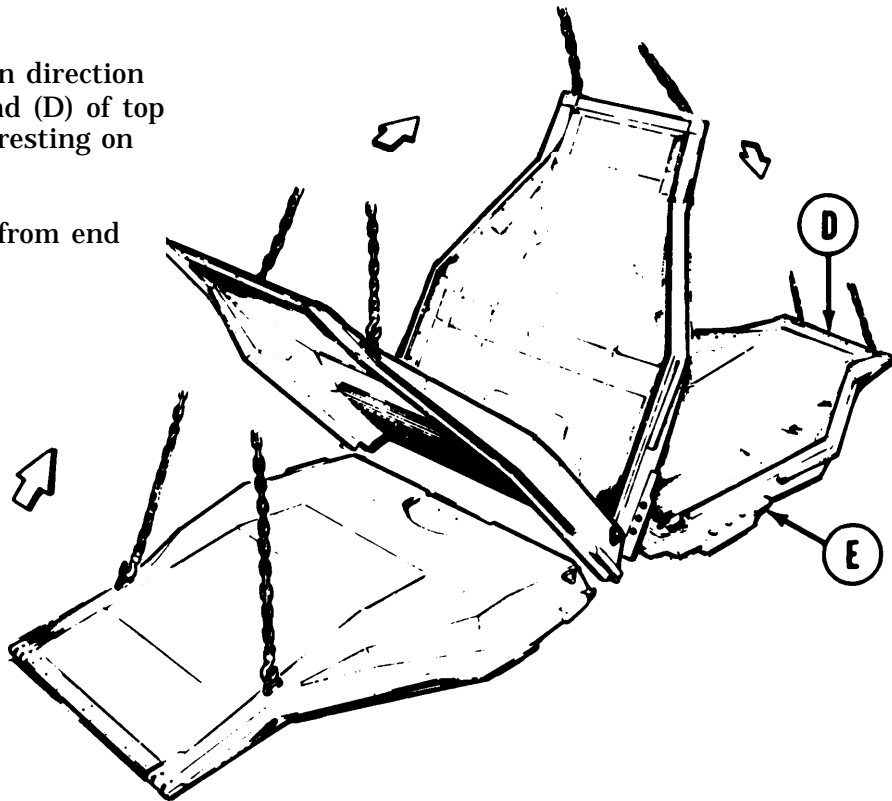
- Using hoist, raise end (D) of top deck (E) until top deck is standing on end (F).

Go on to Sheet 2

TA169439

TOP DECK FRAME ASSEMBLY REPLACEMENT (Sheet 8 of 10)  
Top Deck Insulator Panel Replacement (Sheet 2 of 4)

4. Swing hoist about 1 foot in direction of arrows, slowly lower end (D) of top deck (E) until top deck is resting on its top.
5. Remove two hoist chains from end of top deck (E).

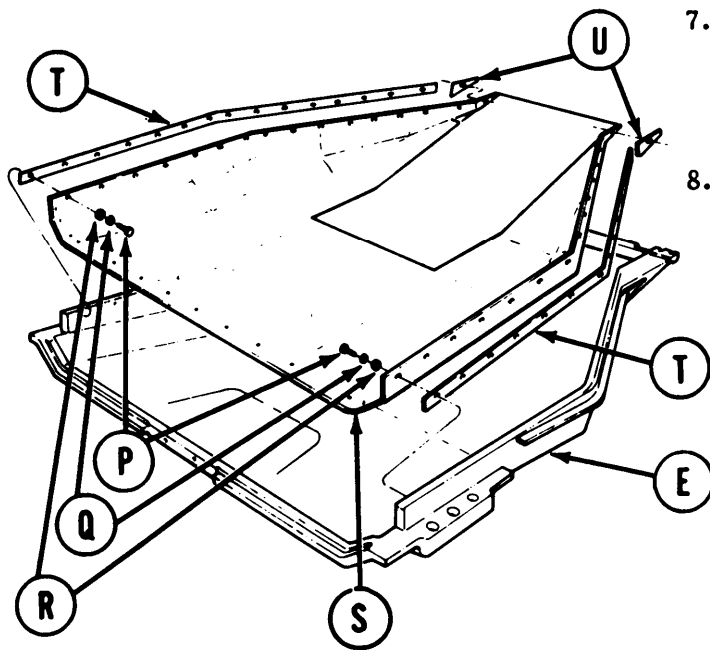


6. Using 7/16 inch socket, remove 19 screws (G) and flat washers (H) holding supports (J), spacers (K), retainer plate (L), seal (M), and support (N):

Go on to Sheet 3

TA169440

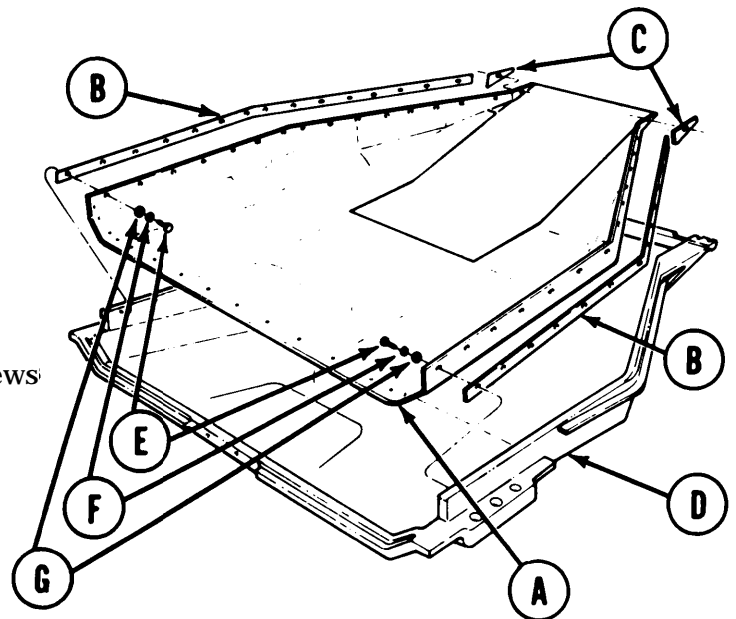
**TOP DECK FRAME ASSEMBLY REPLACEMENT (Sheet 9 of 10)**  
**Top Deck Insulator Panel Replacement (Sheet 3 of 4)**



7. Using 9/16 inch socket, remove 32 screws (P), lockwashers (Q), and flat washers (R) holding insulator panel (S) to top deck (E).
8. Manually remove insulator panel (S) and seals (T and U) from top deck (E).

**INSTALLATION :**

1. Manually position insulator panel (A) and seals (B and C) into top deck (D).
2. Using drift pin to line up screw holes, use 9/16 inch socket to install 32 screws (E), lockwashers (F), and flat washers (G) to hold insulator panel (A) to top deck (D).



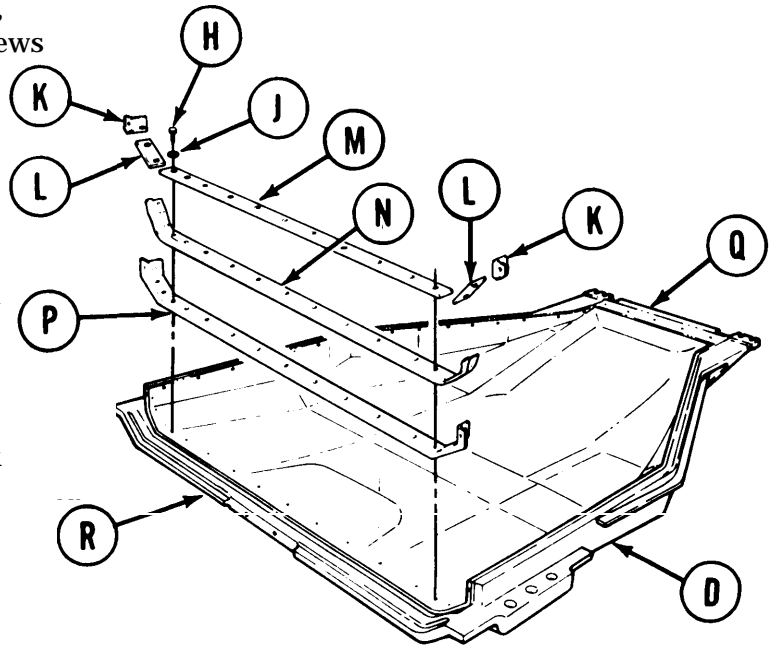
Go on to Sheet 4

TA169441

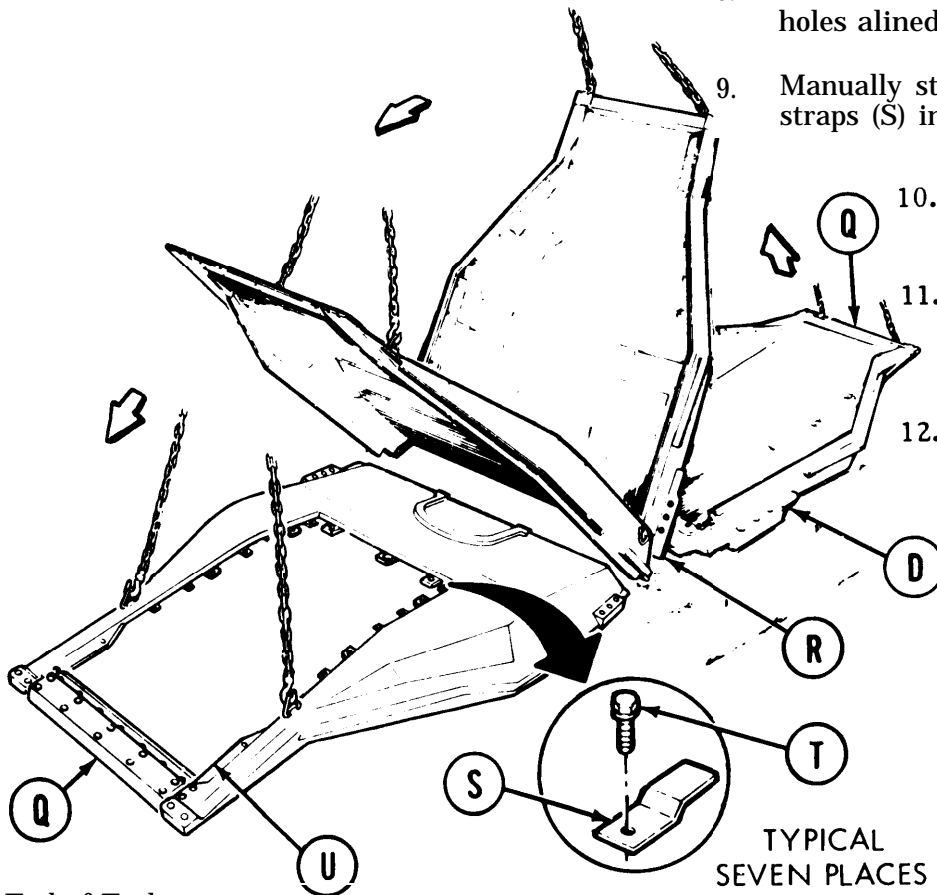
TOP DECK FRAME ASSEMBLY REPLACEMENT (Sheet 10 of 10)

Top Deck Insulator Panel Replacement (Sheet 4 of 4)

3. Using drift pin to line up screw holes, use 7/16 inch socket to install 19 screws (H) and washers (J) holding supports (K), spacers (L), retainer plate (M), seal (N), and support (P).
4. Fasten two hoist chains to end (Q) of top deck (D).
5. Using hoist, raise end (Q) of top deck (D) until top deck is standing on end (R).
6. Swing hoist about 1 foot in direction of arrows, slowly lower end (Q) of top deck (D) until top deck (D) is resting with insulator panel facing down.
7. Remove two hoist chains from ends (Q) of top deck (D).



8. Position seven straps (S) on frame with holes alined.
9. Manually start seven screws (T) through straps (S) into frame (U).



10. Using 7/16 inch socket, tighten seven screws (T).
11. Install top deck door panels (page 16-26).
12. Install top deck (page 16-23).

TYPICAL SEVEN PLACES

End of Task

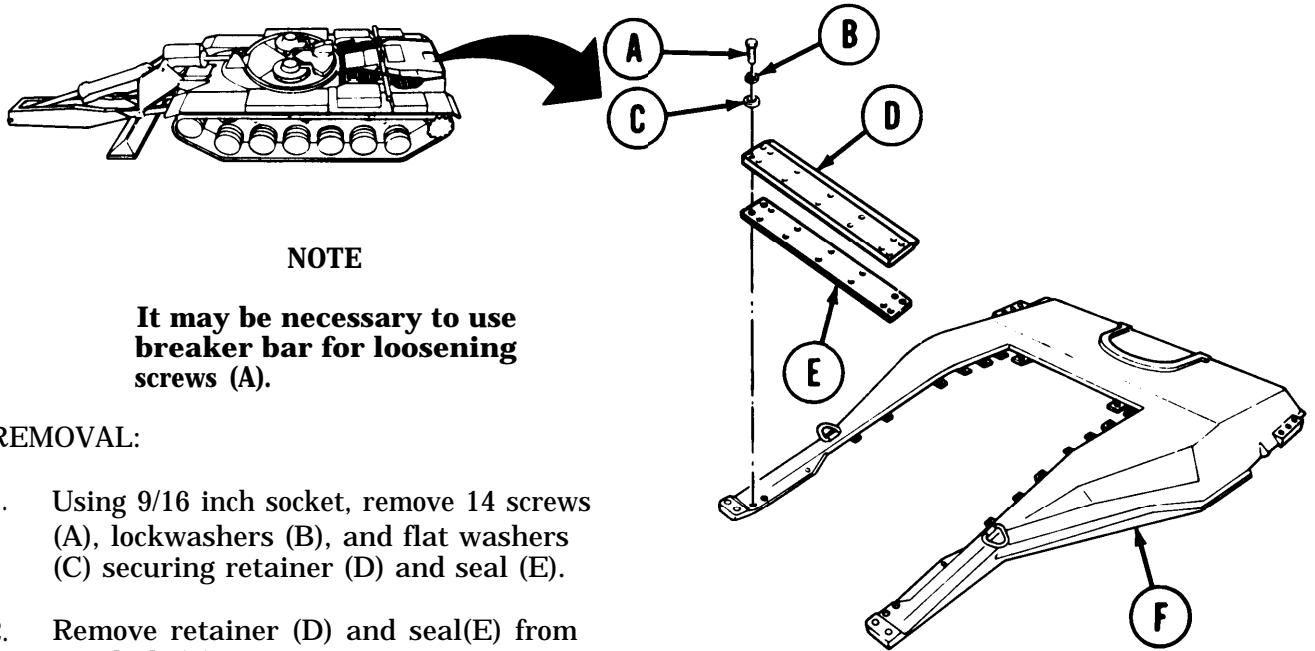
TA169442



**ENGINE ACCESS PANEL SEAL REPLACEMENT (Sheet 1 of 2)**

**TOOLS:** Socket handle (breaker bar)  
 7/16 in. socket with 1/2 in. drive  
 9/16 in. socket with 1/2 in. drive  
 Ratchet with 1/2 in. drive  
 5 in. extension with 1/2 in. drive

**PRELIMINARY PROCEDURE:** Remove three top deck engine doors (page 16-25)

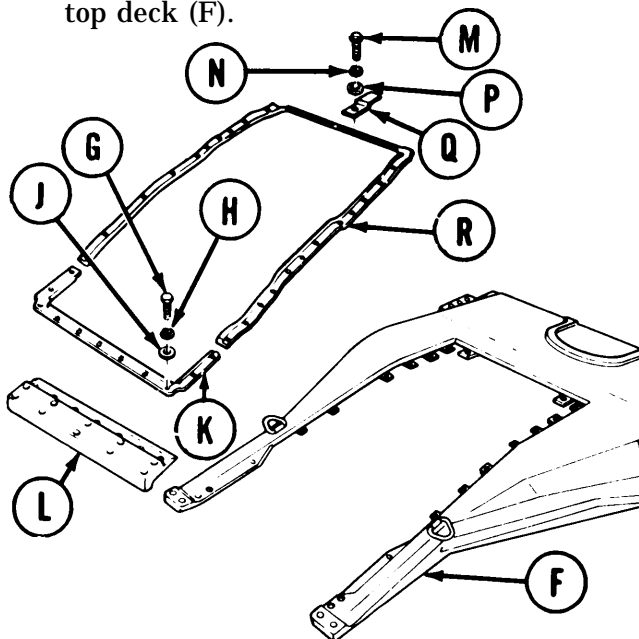


**NOTE**

**It may be necessary to use breaker bar for loosening screws (A).**

**REMOVAL:**

1. Using 9/16 inch socket, remove 14 screws (A), lockwashers (B), and flat washers (C) securing retainer (D) and seal (E).
2. Remove retainer (D) and seal (E) from top deck (F).



3. Using 7/16 inch socket, remove seven screws (G), lockwashers (H) and flat washers (J) securing small seal (K) to support (L).
4. Remove support (L) and small seal (K).
5. Using 7/16 inch socket, remove 21 screws (M), lockwashers (N), flat washers (P), and seven straps (Q) securing large seal (R) to top deck (F).
6. Remove large seal (R).

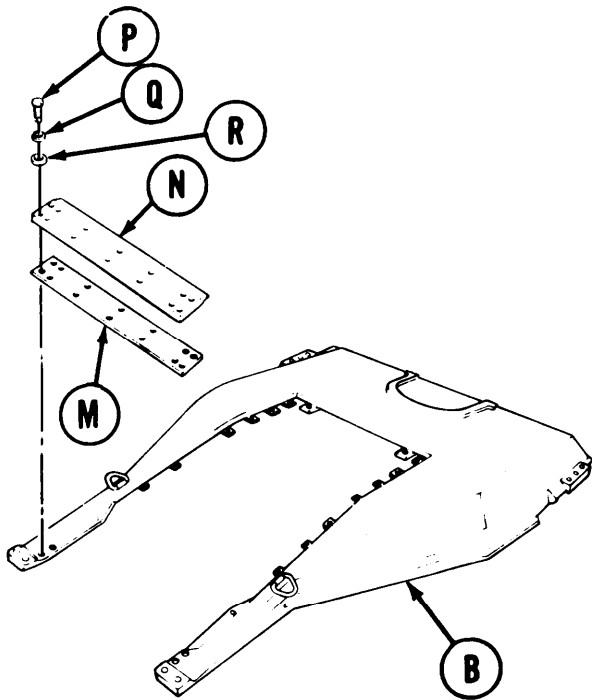
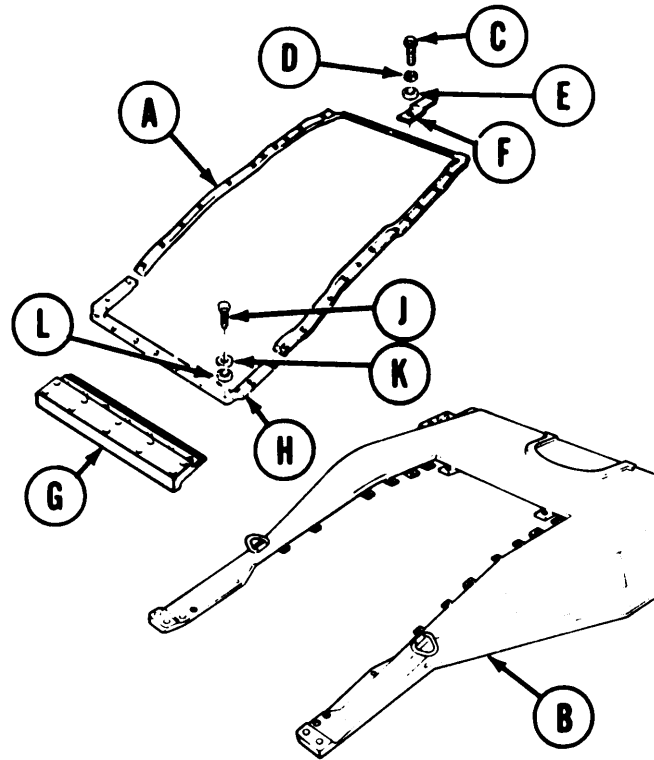
Go onto Sheet 2

TA169443

ENGINE ACCESS PANEL SEAL REPLACEMENT (Sheet 2 of 2)

INSTALLATION:

1. Place large seal (A) in position on top deck (B).
2. Using 7/16 inch socket, install 21 screws (C), lockwashers (D), flat washers (E), and seven straps (F).
3. Place support (G) in position on top deck (B).
4. Place small seal (H) on support (G).
5. Using 7/16 inch socket, install 7 screws (J), lockwashers (K) and flat washers (L).



6. Place seal (M) and retainer (N) in position on top deck (B).
7. Using 9/16 inch sockets install 14 screws (P) lockwashers (Q) and flat washers (R).
8. Install three top deck engine doors (page 16-26).

End of Task

**ENGINE OIL FILLER COVER REPLACEMENT (Sheet 1 of 1)**

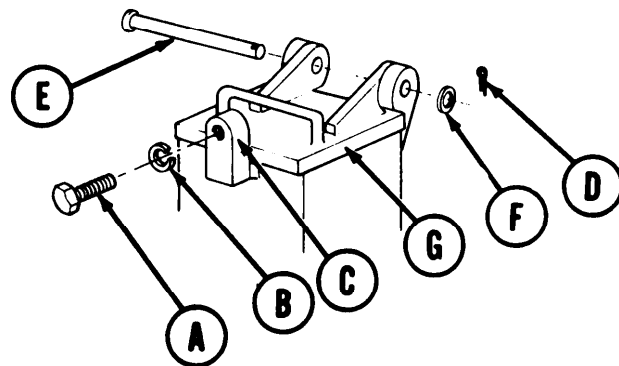
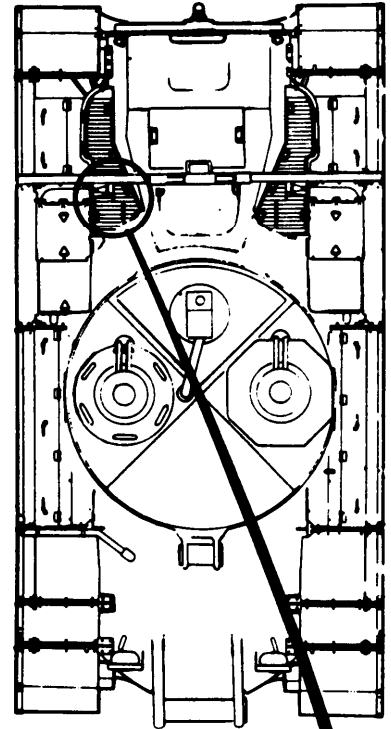
TOOLS: Pliers  
1-1/8 in. open end wrench

**REMOVAL:**

1. Using wrench, remove screw (A) and lockwasher (B) from grille door block (C).
2. Using pliers, remove cotter pin (D) from straight pin (E).
3. Remove straight pin (E) and washer (F) from filler cover (G).
4. Remove filler cover (G).

**INSTALLATION:**

1. Place filler cover (G) in position on vehicle.
2. Using fingers, install straight pin (E) and washer (F) through hinges.
3. Using pliers, install cotter pin (D) through straight pin (E).
4. Using wrench, install screw (A) and washer (B) through grille door block (C).



End of Task

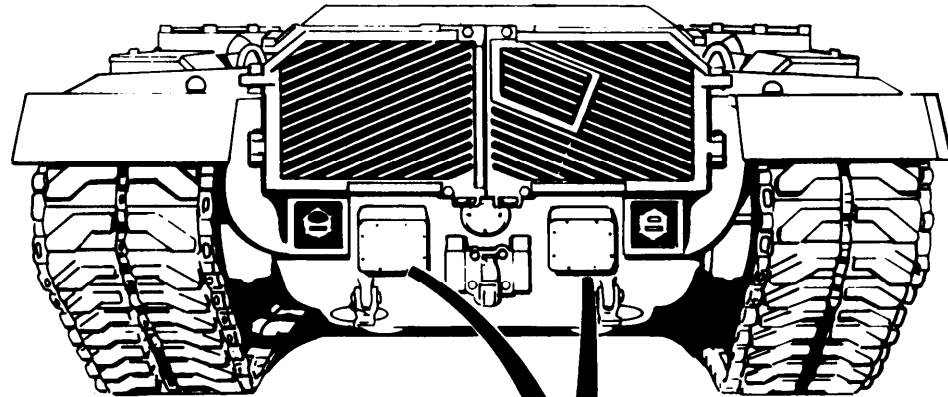
TA169445

REAR TRANSMISSION ACCESS COVER REPLACEMENT (Sheet 1 of 1)

TOOLS: 9/16 in. socket with 1/2 in. drive  
Ratchet with 1/2 in. drive  
Putty knife

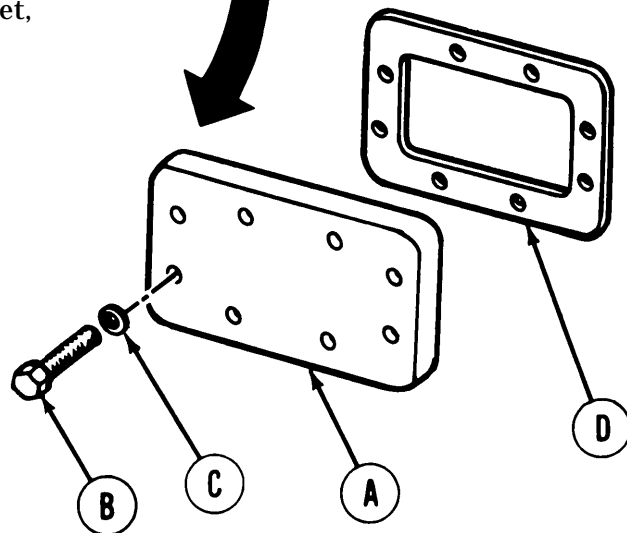
SUPPLIES: Adhesive (Item4, Appendix D)  
Gasket 8364452

PERSONNEL: Two



REMOVAL:

1. With one technician holding access cover (A) and another person using 9/16 inch socket, remove eight screws (B) and lockwashers (C).
2. Remove access cover (A) and gasket (D).
3. Throw gasket (D) away.
4. Using putty knife, scrape off all gasket and adhesive residue.



INSTALLATION :

1. Apply adhesive to new gasket (D).
2. With one technician holding cover (A) and gasket (D) in position on vehicle and another person using 9/16 inch socket, install eight screws (B) and lockwashers (c).

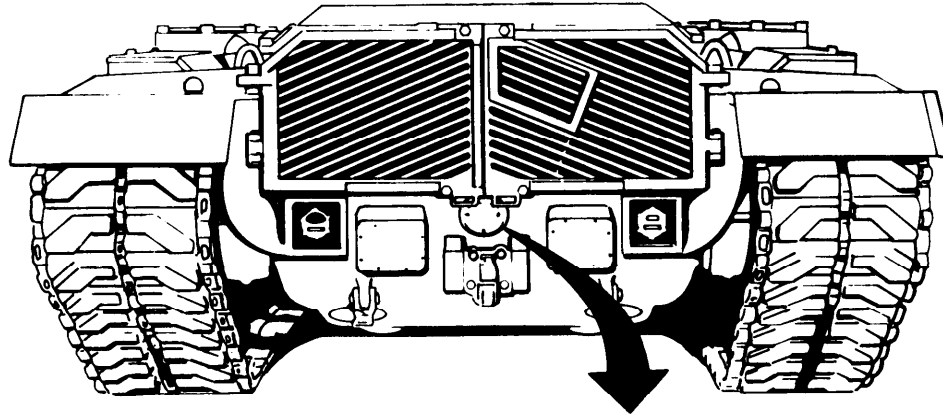
End of Task

TA169446

**POWER TAKE-OFF ACCESS COVER REPLACEMENT (Sheet 1 of 1)**

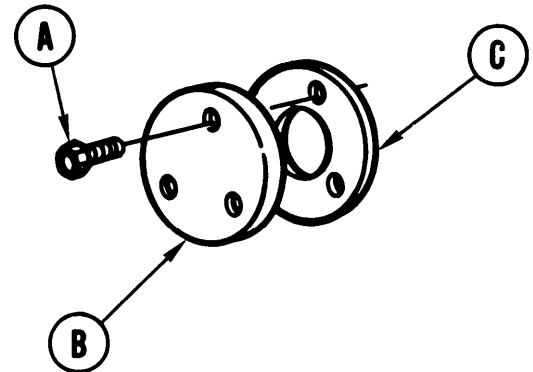
**TOOLS:** 9/16 in. socket with 1/2 in. drive  
 Ratchet with 1/2 in. drive  
 Putty knife

**SUPPLIES:** Adhesive (Item 4, Appendix D)  
 Gasket 7407113



**REMOVAL:**

1. Using socket, remove three bolts (A).
2. Remove cover (B) and gasket (C).
3. Throw gasket (C) away.
4. Using putty knife, scrape off all gasket and adhesive residue.



**INSTALLATION:**

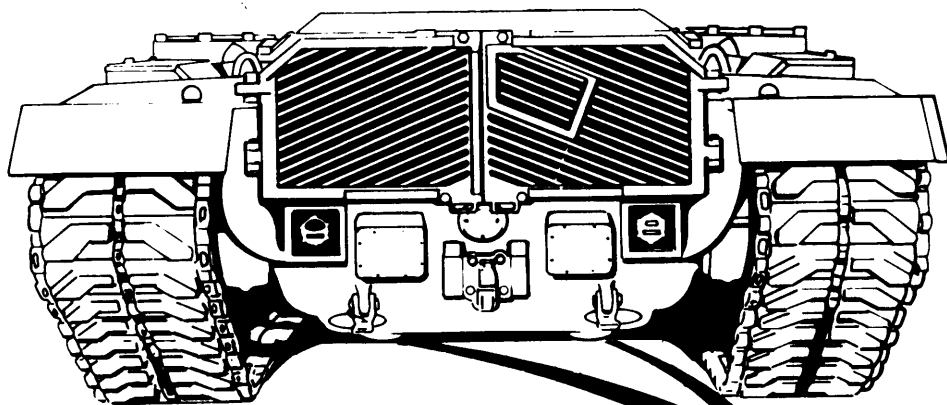
1. Apply adhesive to new gasket (C).
2. Position cover (B) and gasket (C) to vehicle with holes aligned.
3. Using socket, install three bolts (A).

End of Task

**BRAKE DISCONNECT ACCESS COVER REPLACEMENT (Sheet 1 of 1)**

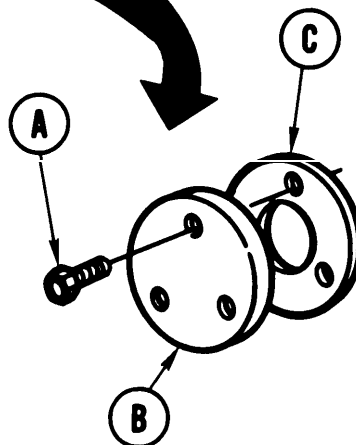
TOOLS: 9/16 in. socket with 1/2 in. drive  
Ratchet with 1/2 in. drive  
Putty knife

SUPPLIES: Adhesive (Item 4, Appendix D)  
Gasket 7407924



**REMOVAL:**

1. Using socket, remove three bolts (A).
2. Remove cover (B) and gasket (C).
3. Throw gasket (C) away.
4. Using putty knife, scrape off all gasket and adhesive residue.



**INSTALLATION:**

1. Apply adhesive to new gasket (C).
2. Position cover (B) and gasket (C) to vehicle with holes alined.
3. Using socket, install three bolts (A).

End of Task

**TRANSMISSION DRAIN ACCESS COVER REPLACEMENT (Sheet 1 of 1)**

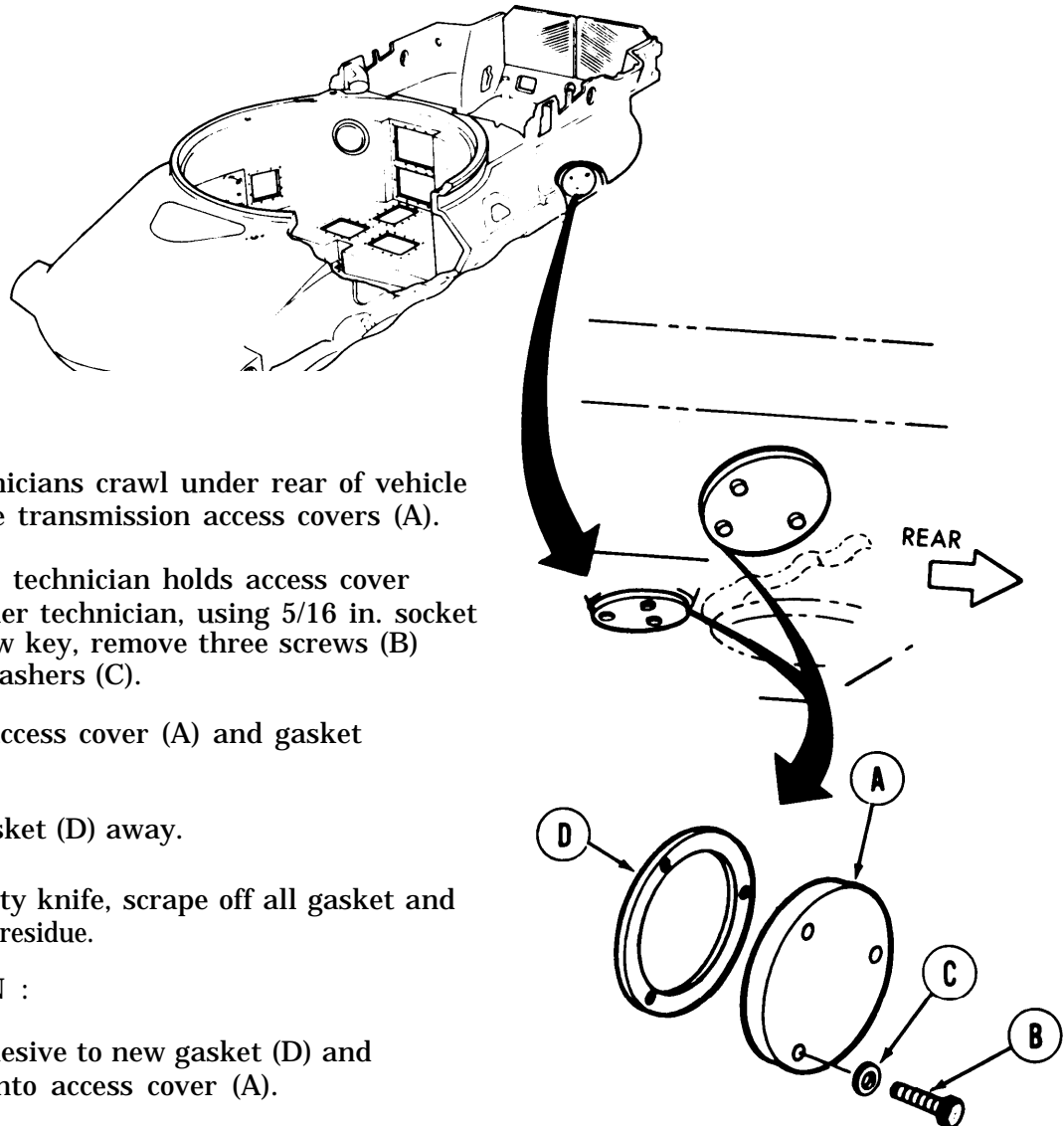
**TOOLS:** 5/16 in. socket head screw key Putty knife

**SUPPLIES:** Adhesive (Item 4, Appendix D) Gasket 7364699

**PERSONNEL:** Two

**REFERENCE:** TM 9-2350-226-10

**PRELIMINARY PROCEDURES:** Block track (TM 9-2350-226-10)  
Apply park brake (TM 9-2350-226-10)



**REMOVAL**

1. Two technicians crawl under rear of vehicle and locate transmission access covers (A).
2. While one technician holds access cover (A), another technician, using 5/16 in. socket head screw key, remove three screws (B) and lockwashers (C).
3. Remove access cover (A) and gasket (D).
4. Throw gasket (D) away.
5. Using putty knife, scrape off all gasket and adhesive residue.

**INSTALLATION :**

1. Apply adhesive to new gasket (D) and position onto access cover (A).
2. With one technician holding access cover (A) and gasket (D) in position and another technician using socket head screw key, install three screws (B) and lockwashers (C) securing access cover (A).

End of Task

TA169449

FLOOR DRAIN ACCESS COVER REPLACEMENT (Sheet 1 of 2)

TOOLS: 3/4 in. socket with 1/2 in. drive  
1/2 in. drive ratchet  
Putty knife

SUPPLIES: Adhesive (Item 4, Appendix D)  
Gasket 8734774

PERSONNEL: Two

REFERENCE: TM 9-2350-226-10

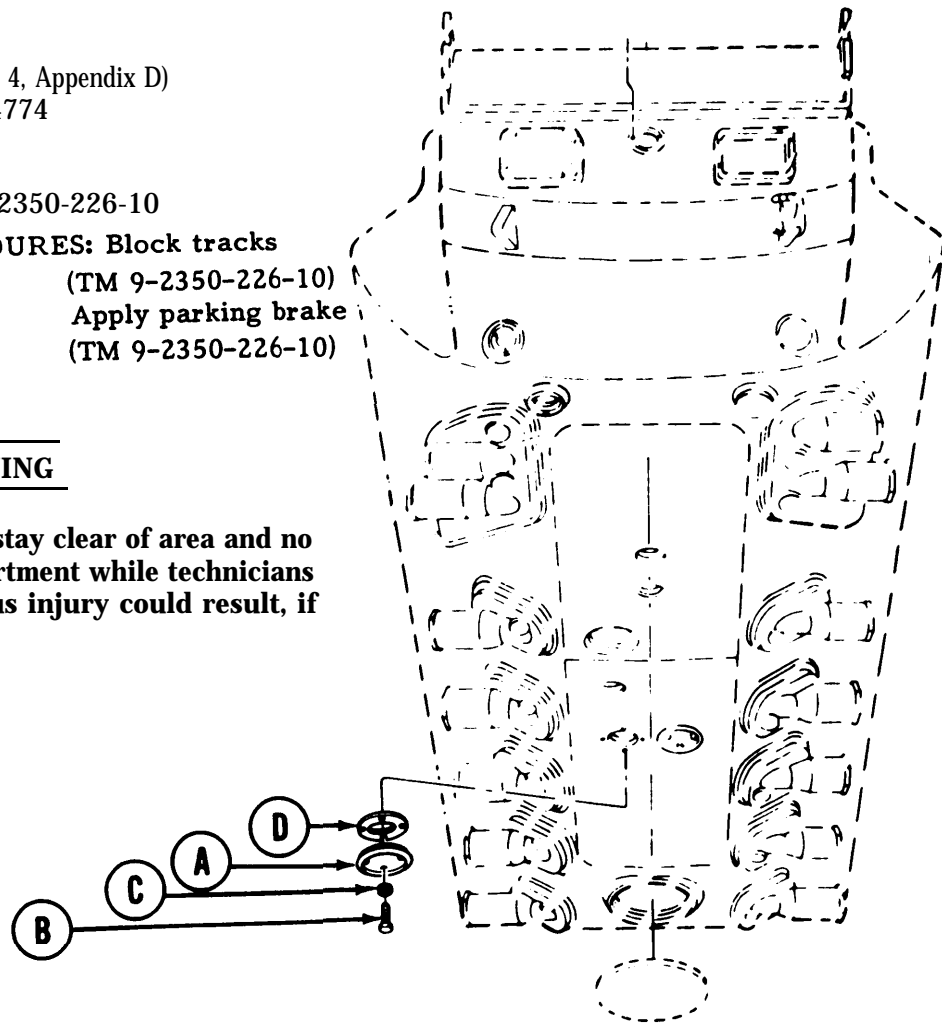
PRELIMINARY PROCEDURES: Block tracks  
(TM 9-2350-226-10)  
Apply parking brake  
(TM 9-2350-226-10)

REMOVAL:

**WARNING**

Make sure other vehicles stay clear of area and no one enters driver's compartment while technicians are under vehicle. Serious injury could result, if vehicle is moved.

1.



2. While one technician holds access cover (A), other technician using socket, removes four screws (B) and lockwashers (C).
3. Remove cover (A) and gasket (D). Throw gasket (D) away.
4. Using putty knife, scrape off all gasket and adhesive residue.

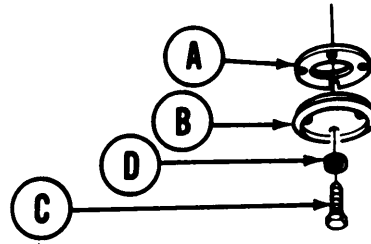
Go on to Sheet 2

TA169450



**FLOOR DRAIN ACCESS COVER REPLACEMENT (Sheet 2 of 2)****INSTALLATION**

1. Apply adhesive to new gasket (A).
2. Position cover (B) and gasket (A) on vehicle with holes alined.
3. Using socket, install four screws (C) and lockwashers (D).



End of Task

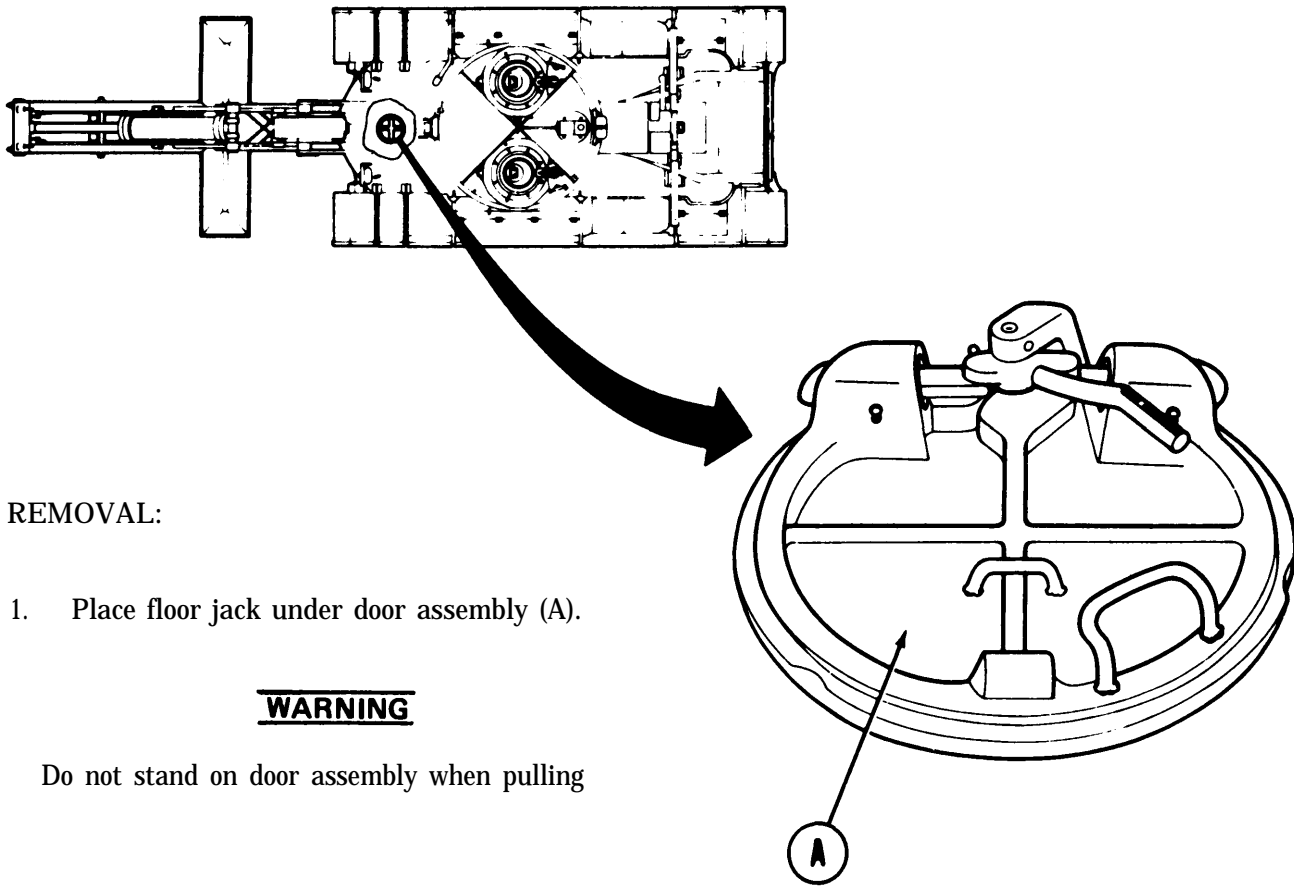
TA169451

DOOR ASSEMBLY (ESCAPE HATCH) REPLACEMENT (Sheet 1 of 2)

TOOLS: Hydraulic floor jack

SUPPLIES: Locking wire (2 feet long) (Item 61, Appendix D)

PERSONNEL: Two



REMOVAL:

1. Place floor jack under door assembly (A).

**WARNING**

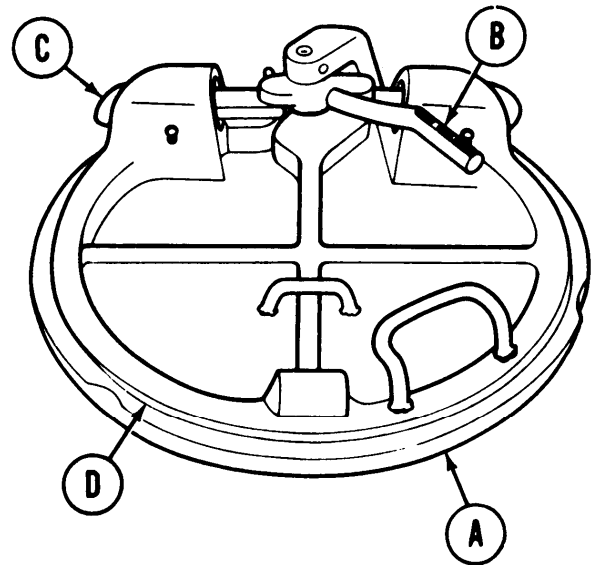
Do not stand on door assembly when pulling

Go on to Sheet 2

TA169452

**DOOR ASSEMBLY (ESCAPE HATCH) REPLACEMENT (Sheet 2 of 2)**

2. Rotate handle (B) clockwise.
3. Lower jack and slide door assembly (A) from under vehicle.



**INSTALLATION:**

1. Rotate handle (B) clockwise and secure with wire.
2. Position door assembly (A) on floor jack.
3. Position floor jack directly beneath hull opening with door assembly in proper alignment with hull opening.
4. Raise door assembly (A) into position. Slight repositioning may be needed to align door with hull opening.
5. Release wire to allow plungers (C) to engage hull lugs.
6. Make sure plungers (C) fully engage hull lugs.
7. Make sure seal (D) is fully seated around hull opening.
8. Make sure handle (B) is in fully closed (counterclockwise) position.
9. Remove jack.

End of Task

DOOR ASSEMBLY (ESCAPE HATCH) REPAIR (Sheet 1 of 3)

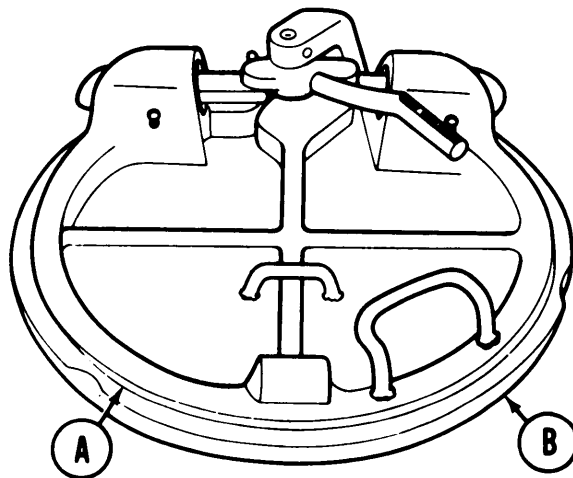
TOOLS: Wire brush  
Putty knife  
Drive pin punch  
5/16 inch open end wrench  
3/16 inch socket head key wrench (allen wrench)  
Hammer  
Pliers, retaining ring

SUPPLIES: Dry cleaning solvent (Item 55, Appendix D)  
Rags (Item 65, Appendix D)  
Silicone compound (Item 32, Appendix D)  
Seal 7984290  
Retaining rings MS16624-1050 (two required)

PRELIMINARY PROCEDURE: Remove hatch from vehicle (page 16-40)

DISASSEMBLY:

1. Using putty knife, carefully pry out seal (A) from groove in door assembly (B).



WARNING

Cleaning agent specified is flammable. Use only in well ventilated areas. Keep away from flames, sparks, or heat. Do not smoke while using. Prevent contact with eyes, mouth, and/or skin. Wear rubber gloves when performing cleaning procedures.

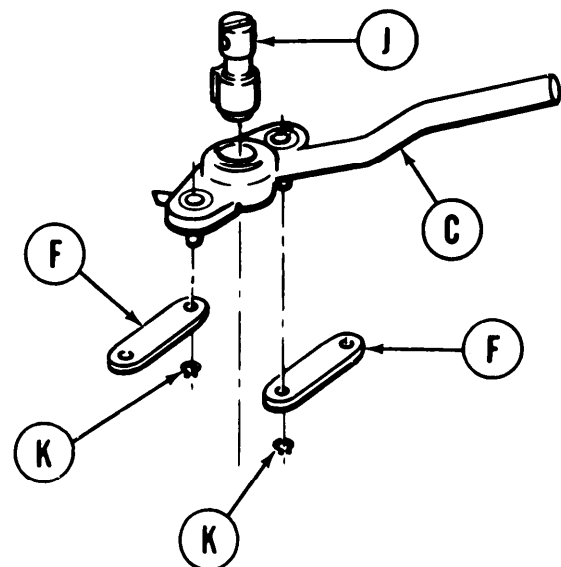
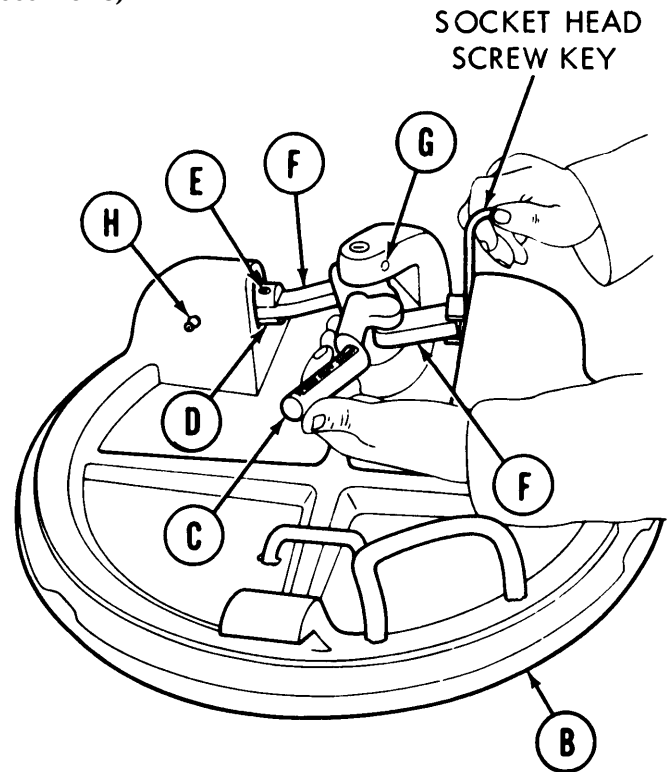
2. Using wire brush, rags, and solvent, clean seal mating surfaces.

Go on to Sheet 2

TA169454

**DOOR ASSEMBLY (ESCAPE HATCH) REPAIR (Sheet 2 of 3)**

3. Rotate handle assembly (C) clockwise to retract plungers (D) and expose screws (E).
4. Using socket head key, remove two screws (E) securing plungers (D) to links (F).
5. Remove two plungers (D).
6. Using hammer and punch, remove pin (G) securing handle assembly (C) to hull lugs.
7. Remove handle assembly (C).
8. Using 5/16 inch wrench, remove two fittings (H) from door assembly (B).
9. Remove spring assembly (J) from handle assembly (C).
10. Using pliers, remove two retaining rings (K) securing links (F) to handle assembly (C).
11. Remove links (F).



Go on to Sheet 3

TA169455

**DOOR ASSEMBLY (ESCAPE HATCH) REPAIR (Sheet 3 of 3)**

ASSEMBLY:

1. Position two links (A) on handle assembly (B) and secure with two retaining rings (C).

2. Install spring assembly (D) in handle assembly (B).

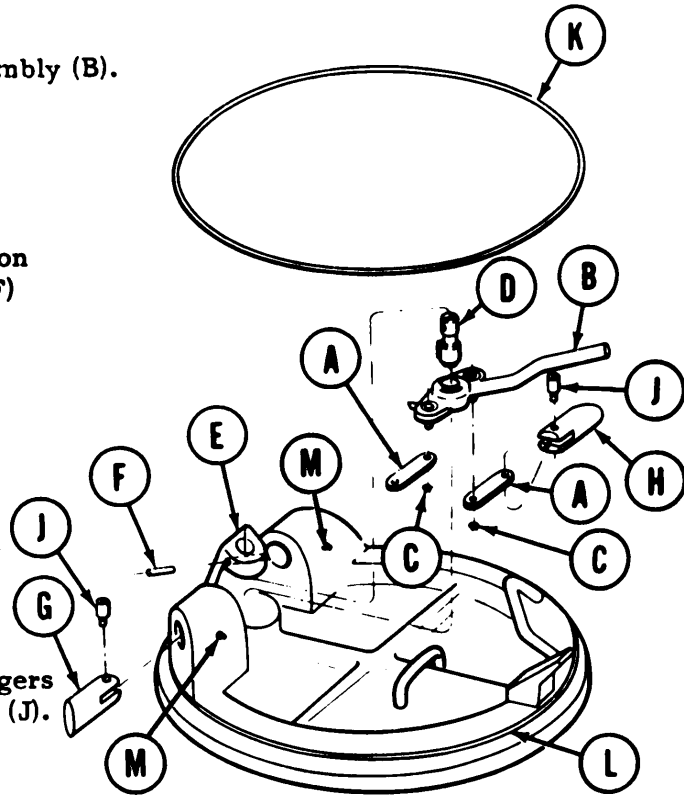
3. Position handle assembly (B) to lug (E).

4. Hold handle assembly (B) in locked position (fully counterclockwise) and install pin (F) using hammer and punch.

5. Rotate handle (B) fully clockwise.

6. Insert longer plunger (G) into left side of door and shorter plunger (H) into right side of hatch.

7. Using socket head key, connect two plungers (G and H) to two links (A) with two bolts (J).



**WARNING**

Do not use adhesive to secure escape hatch seal.

8. Coat surfaces of door assembly seal (K) with silicone compound
9. Fit cover seal (K) firmly into groove (L). Avoid stretching seal (K) to insure secure fit between cover and hull.
10. Using 5/16 wrench, install two fittings (M) in hatch.
11. Install door assembly (page 16-41).

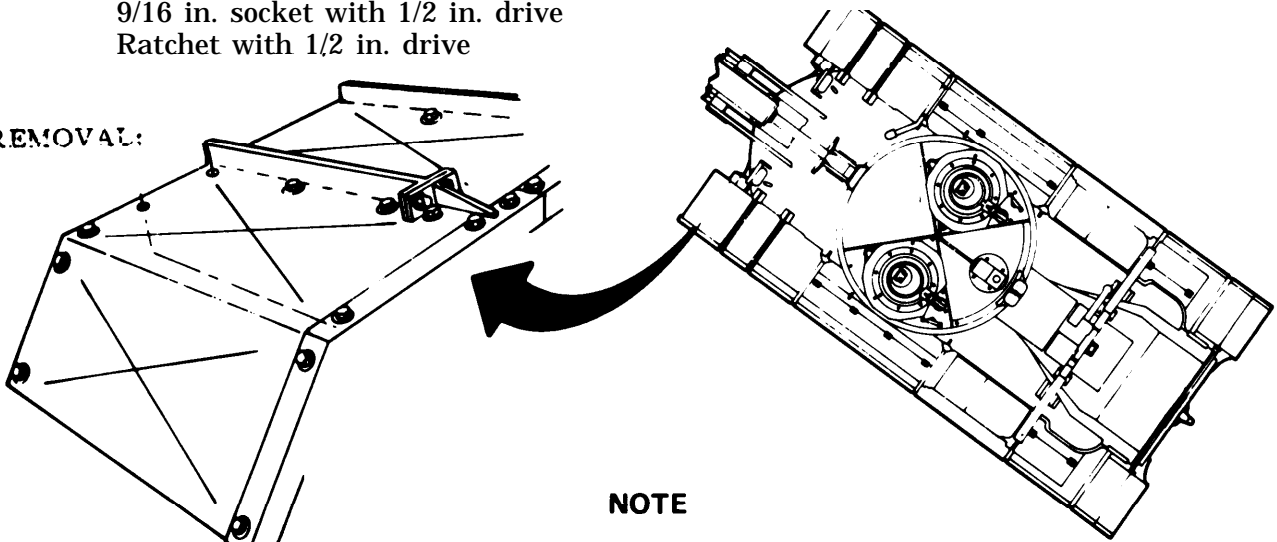
End of Task

TA169456

**FRONT FENDER PLATE NO. 1 REPLACEMENT (Sheet 1 of 3)**

**TOOLS:** 9/16 in. combination box and open end wrench  
 9/16 in. socket with 1/2 in. drive  
 Ratchet with 1/2 in. drive

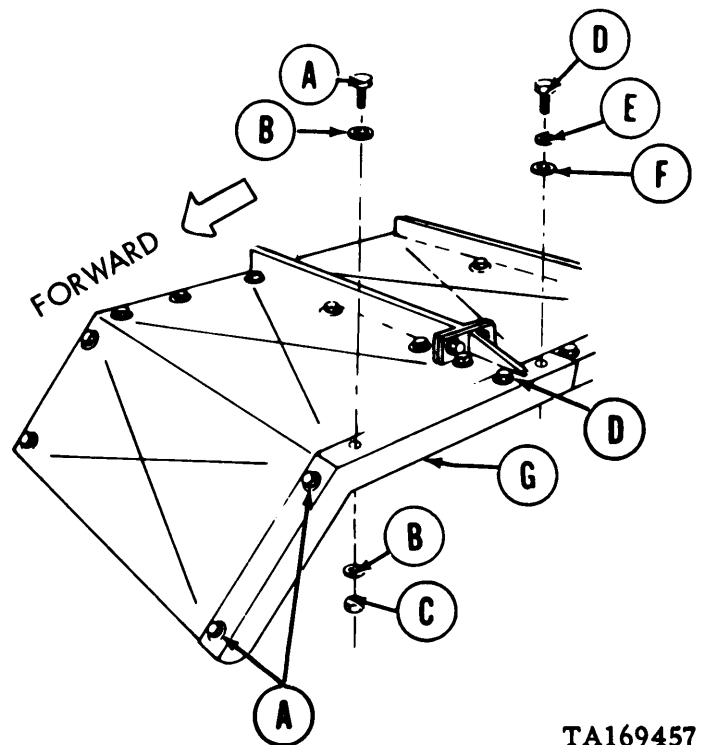
**REMOVAL:**



**NOTE**

**Removal and installation procedure is the same for both left and right sides.**

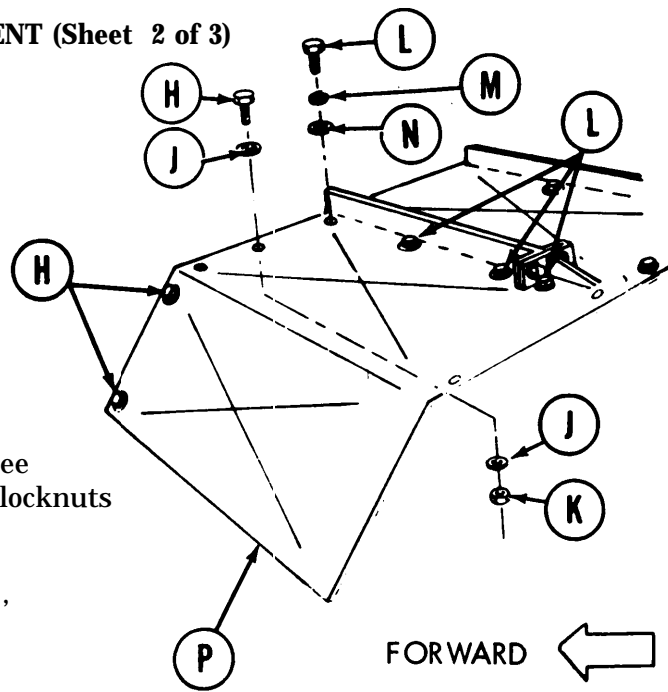
1. Using socket and wrench, remove three screws (A), six washers (B) and three locknuts (C).
2. Using socket, remove two screws (D), lockwashers (E) and washers (F).
3. Remove support (G).



Go on to Sheet

TA169457

FRONT FENDER PLATE NO. 1 REPLACEMENT (Sheet 2 of 3)



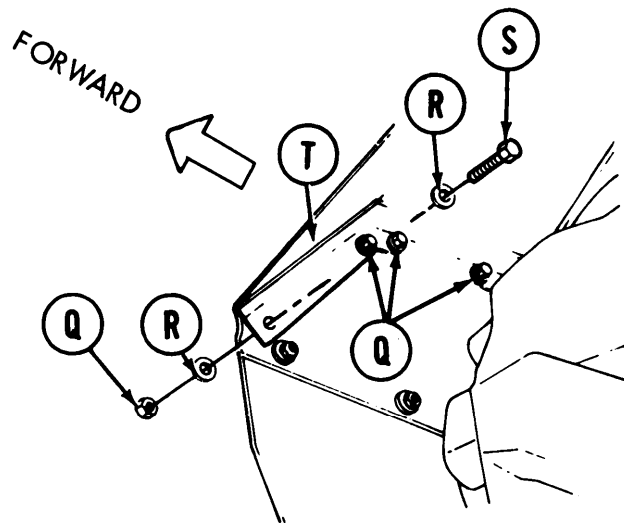
4. Using socket and wrench, remove three screws (H), six washers (J) and three locknuts (K).

5. Using socket, remove four screws (L), lockwashers (M) and washers (N).

6. Remove plate (P).

7. Using socket and wrench, remove four locknuts (Q), eight washers (R), and four screws (S).

8. Remove inner support (T).



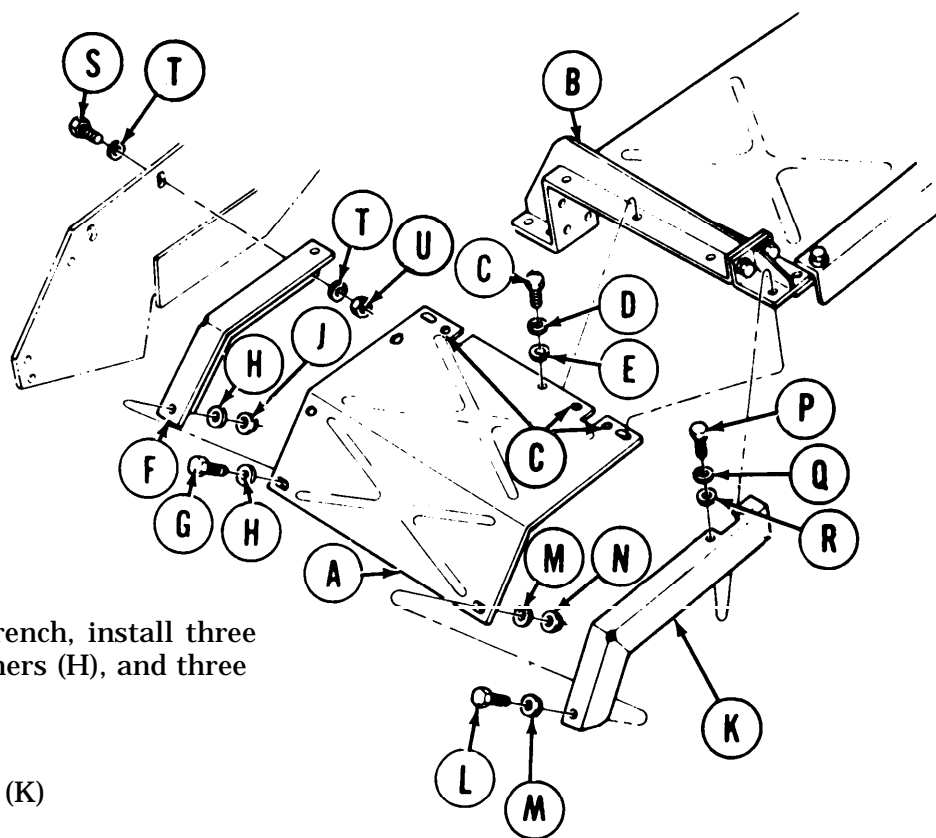
Go on to Sheet 3

TA169458



**FRONT FENDER PLATE NO. 1 REPLACEMENT (Sheet 3 of 3)****INSTALLATION:**

1. Place plate (A) in position on outrigger (B).
2. Using socket, install four screws (C), lockwashers (D), and washers (E).
3. Place inner support (F) in position.



4. Using socket and wrench, install three screws (G), six washers (H), and three locknuts (J).
5. Place outer support (K) in position.
6. Using socket and wrench, install three screws (L), six washers (M), and three locknuts (N).
7. Using socket, install two screws (P), lockwashers (Q) and washers (R).
8. Using socket and wrench, install four screws (S), eight washers (T), and four locknuts (U) to secure support (F) to shroud.

End of Task

TA169459

**TM 5-5420-226-20-3**

**FRONT FENDER SHROUD REPLACEMENT (Sheet 1 of 3)**

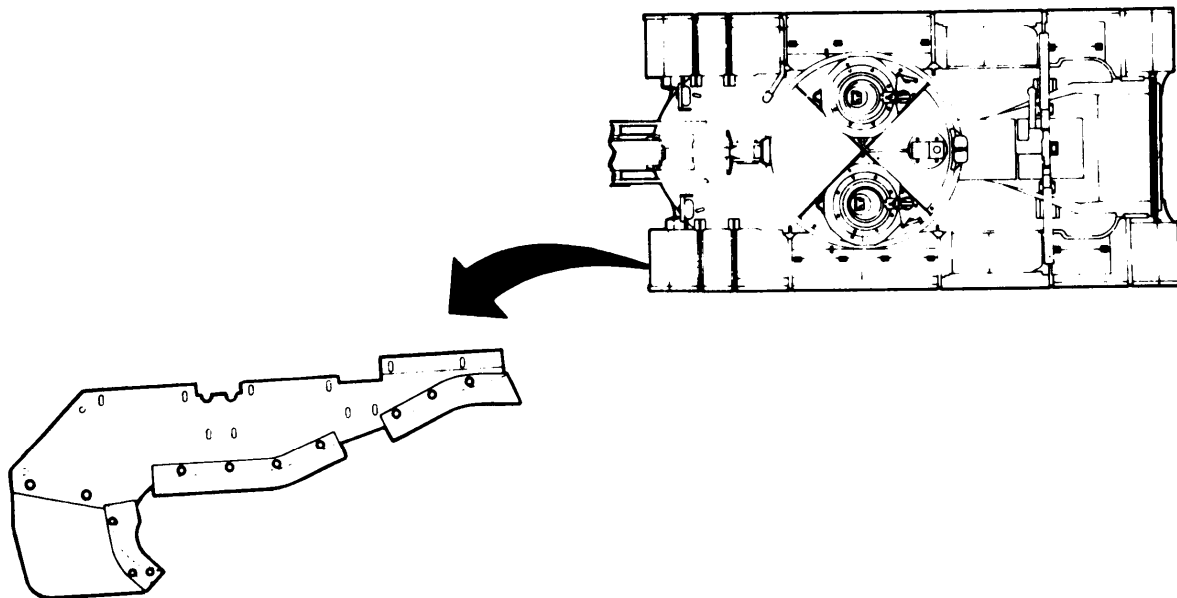
**TOOLS:** 5/8 in. socket with 1/2 in. drive  
9/16 in. combination box and open end wrench  
7/16 in. combination box and open end wrench  
9/16 in. socket with 1/2 in. drive  
7/16 in. socket with 1/2 in. drive  
Ratchet with 1/2 in. drive

**PRELIMINARY PROCEDURE:** Remove No. 1 and No.2 outriggers (page 16-62)

**NOTE**

**Removal and installation procedure for front fender shroud is the same for both left and right sides.**

**REMOVAL:**

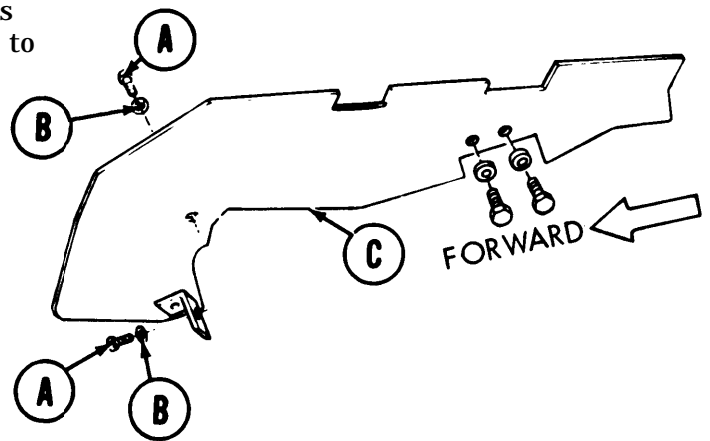


Go on to Sheet 2

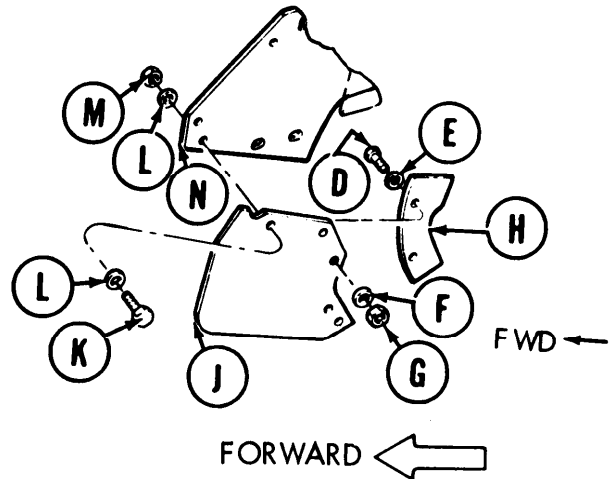
TA169460

**FRONT FENDER SHROUD REPLACEMENT (Sheet 2 of 3)**

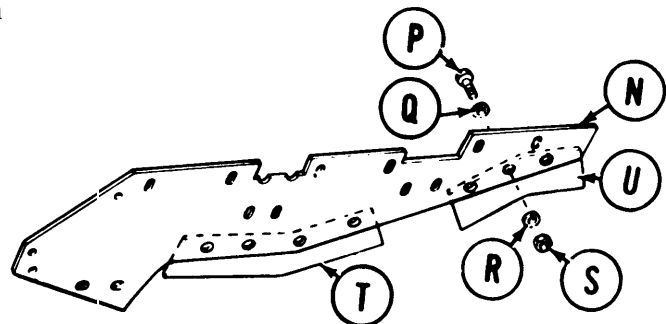
- Using 5/8 inch socket, remove four screws (A) and washers (B) which hold shroud (C) to hull.
- Remove shroud (C).



- Using 7/16 inch socket and 7/16 inch wrench, remove two screws (D), washers (E), lockwashers (F) and nuts (G).
- Remove front pad (H) from end plate (J).
- Using 9/16 inch socket and 9/16 inch wrench, remove two screws (K), four washers (L), and two locknuts (M).
- Remove end plate (J) from fender plate (N).



- Using 7/16 inch socket and 7/16 inch wrench, remove seven screws (P), washers (Q), lockwashers (R), and nuts (S).
- Remove center pad (T) and rear pad from fender plate (N).



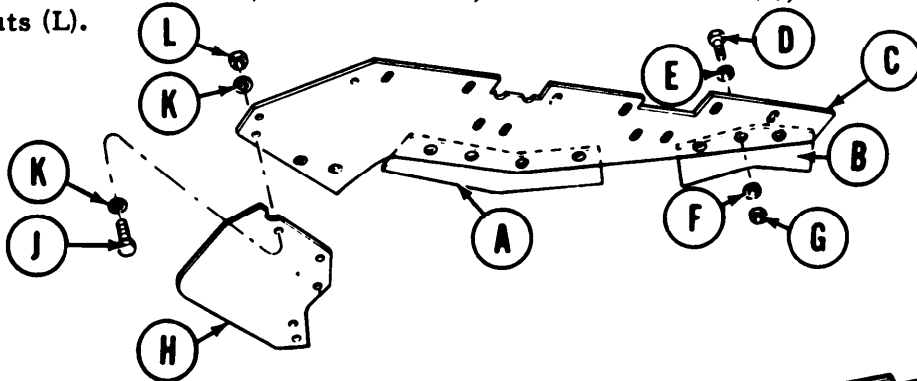
Go on to Sheet 3

TA169461

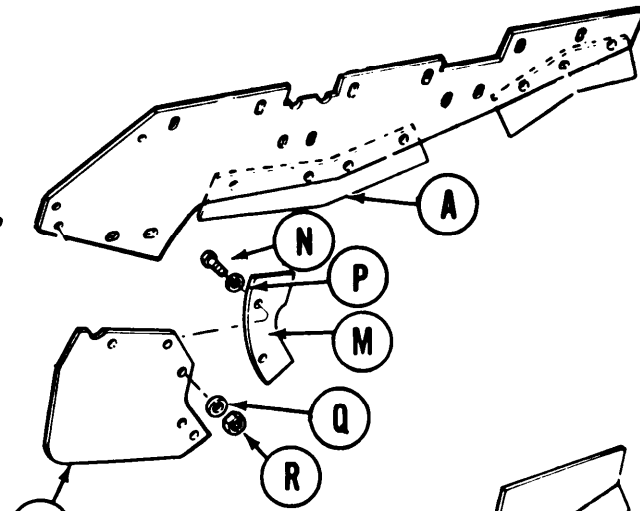
FRONT FENDER SHROUD REPLACEMENT (Sheet 3 of 3)

INSTALLATION:

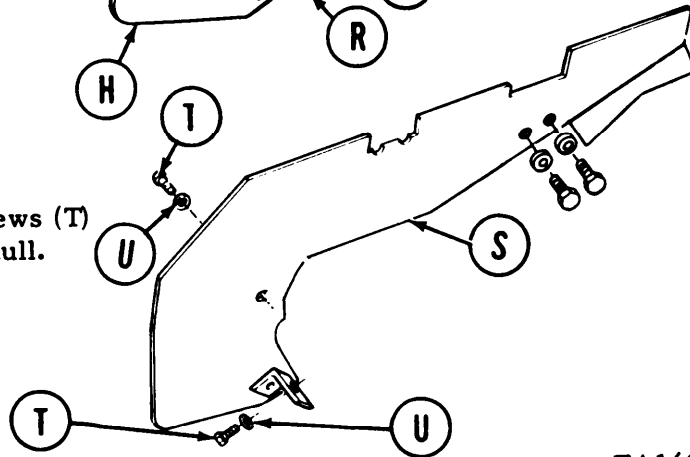
1. Place center pad (A) and rear pad (B) in position on fender plate (C).
2. Using 7/16 inch socket and 7/16 inch wrench, install seven screws (D), washers (E), lockwashers (F), and nuts (G).
3. Position end plate (H) on fender plate (C).
4. Using 9/16 inch socket and 9/16 inch wrench, install two screws (J), four washers (K), and two locknuts (L).



5. Position front pad (M) on end plate (H).
6. Using 7/16 inch socket and 7/16 inch wrench, install two screws (N), washers (P), lockwashers (Q), and nuts (R).



7. Position fender shroud (S) on hull.
8. Using 5/8 inch socket, install four screws (T) and washers (U) to hold shroud (S) to hull.
9. Reinstall outriggers (page 16-63).



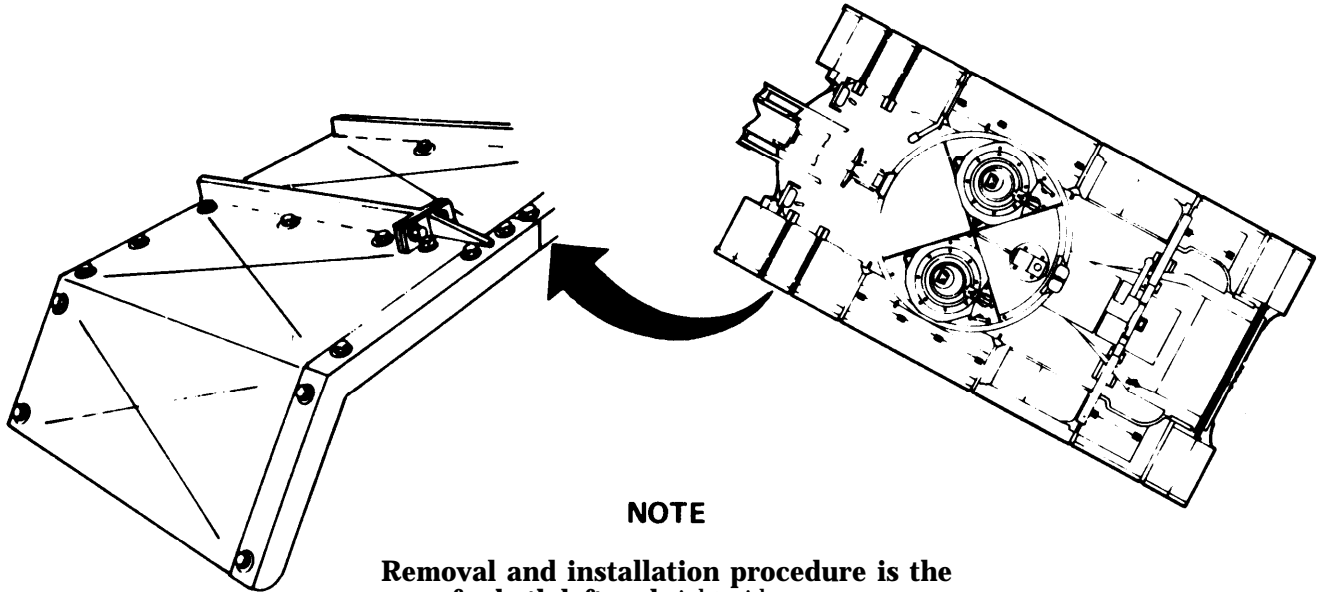
End of Task

TA169462

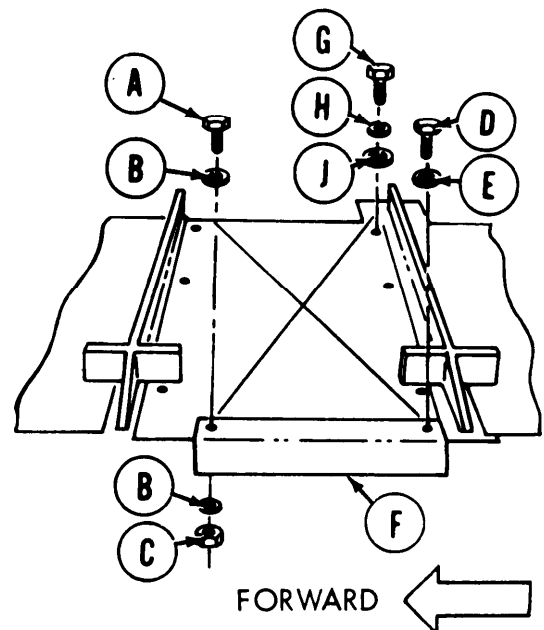
**FRONT FENDER PLATE NO. 2 REPLACEMENT (Sheet 1 of 2)**

**TOOLS:** 9/16 in. combination box and open end wrench  
 9/16 in. socket with 1/2 in. drive  
 Ratchet with 1/2 in. drive

**PRELIMINARY PROCEDURE:** Remove fender plate No. 1 (page 16-45)



1. Using socket and wrench, remove screw (A), two washers (B), and locknut (C).
2. Using socket, remove screw (D) and washer (E).
3. Remove support (F).
4. Using socket, remove eight screws (G), lockwashers (H) and washers (J).

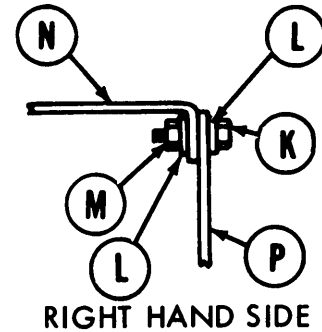


Go on to Sheet 2

TA169463

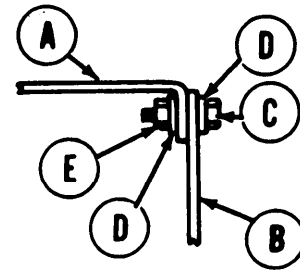
FRONT FENDER PLATE NO. 2 REPLACEMENT (Sheet 2 of 2)

5. Using socket and wrench, remove two screws (K), four washers (L) and two locknuts (M) which hold plate (N) to shroud (P).
6. Remove plate (N).



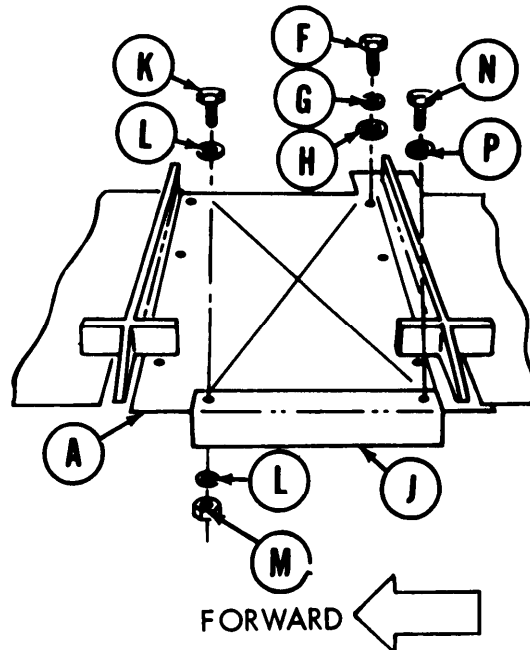
INSTALLAON:

1. Place plate (A) in position.
2. Aline holes in plate (A) with holes in shroud (B).
3. Using socket and wrench, install two screws (C), four washers (D) and two locknuts (E).



RIGHT HAND SIDE

4. Using socket, install eight screws (F), lockwashers (G), and washers (H).
5. Place support (J) in position on plate (A).
6. Using socket and wrench, install screw (K), two washers (L), and locknut (M).
7. Using socket, install screw (N) and washer (P).
8. Install front fender plate No. 1 (page 16-47).



End of Task

TA169464

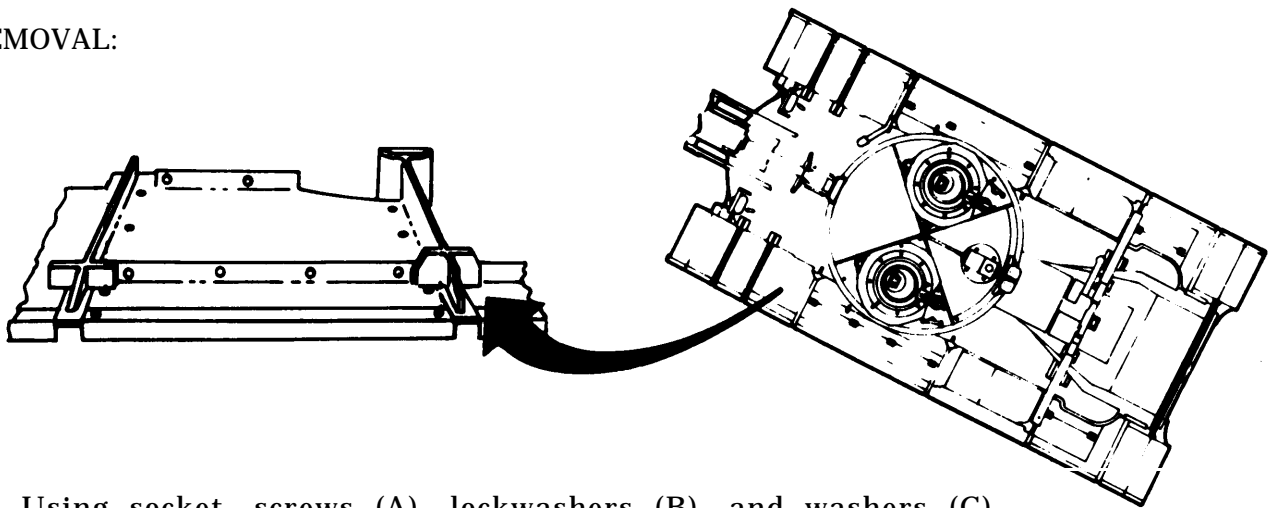
**FRONT FENDER PLATE NO. 3 AND PANEL REPLACEMENT (Sheet 1 of 3)**

**TOOLS:** 9/16 in. combination box and open end wrench  
 9/16 in. socket with 1/2 in. drive  
 Ratchet with 1/2 in. drive

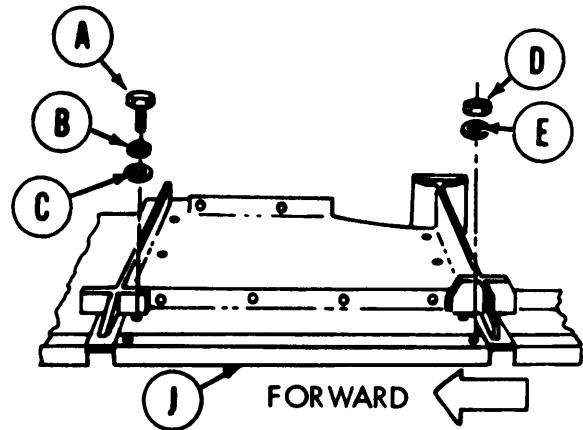
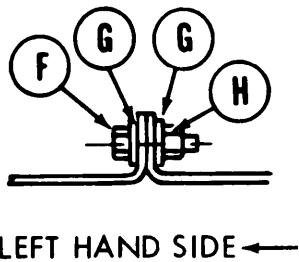
**NOTE**

**Removal and installation procedure is the same for both left and right sides.**

**REMOVAL:**



1. Using socket, screws (A), lockwashers (B), and washers (C).
2. Using socket, remove two locknuts (D) and washers (E).
3. Using socket and wrench, remove four screws (F), eight flat washers (G), and four nuts (H).
4. Remove plate (J).

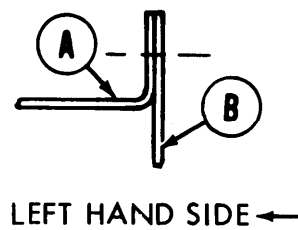
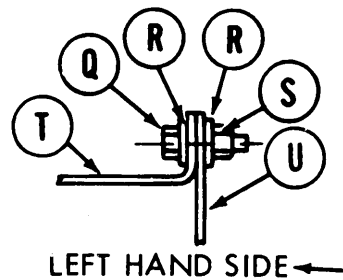
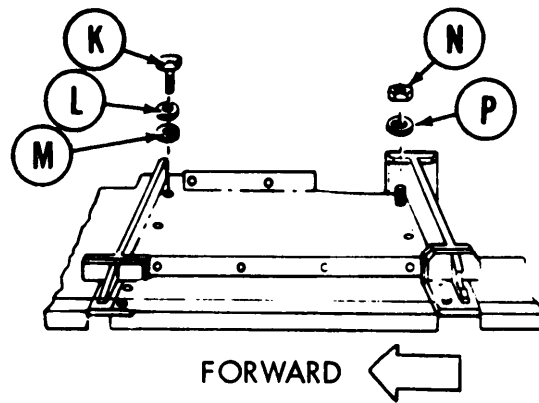


Go on to Sheet 2

TA169465

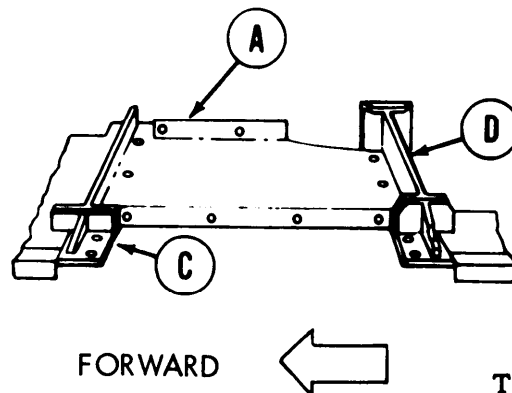
FRONT FENDER PLATE NO.3 AND PANEL REPLACEMENT(Sheet 2 of 3)

5. Using socket, remove three screws (K) , lockwashers (L) , and washers (M).
6. Using socket, remove three locknuts (N) and washers (P).
7. Using socket and wrench, remove two screws (Q), four washers (R), and two locknuts (S) which join panel (T) and shroud (u).
8. Remove panel (V).



INSTALLATION:

1. Place panel (A) in position.
2. Aline holes in panel (A) with holes in shroud (B) and outriggers number 2 (C) and number 3 (D).



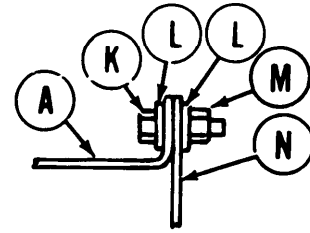
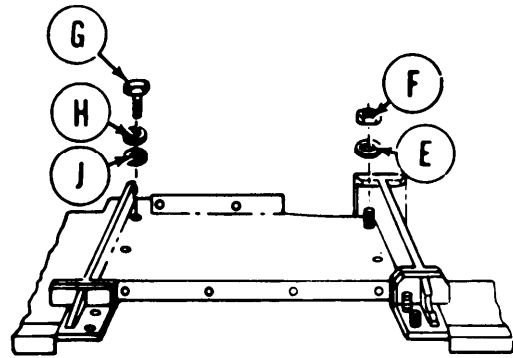
Go on to Sheet 3

TA169466



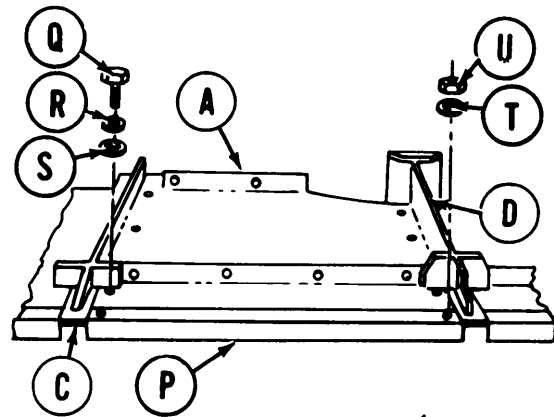
**FRONT FENDER PLATE NO.3 AND PANEL REPLACEMENT (Sheet 3 of 3)**

3. Using socket, install three washers (E) and locknuts (F).
4. Using socket, install three screws (G), lockwashers (H) , and washers (J).
5. Using socket and wrench, install two screws (K), four washers (L) and two locknuts (M) which join panel (A) and shroud (N).

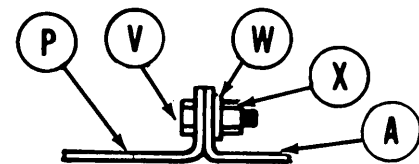


LEFT HAND SIDE ←

1. Place plate number 3 (P) in position.
7. Aline holes in plate (P) with holes in panel (A) and outriggers (C and D).
8. Using socket, install two screws (Q), lockwashers (R) and washers (S).
9. Using socket, install two washers (T) and locknuts (u).
10. Using socket and wrench, install four screws (V), washers (W) and locknuts (X) to join plate (P) with panel (A).



FORWARD ←



LEFT HAND SIDE ←

End of Task

TA169467

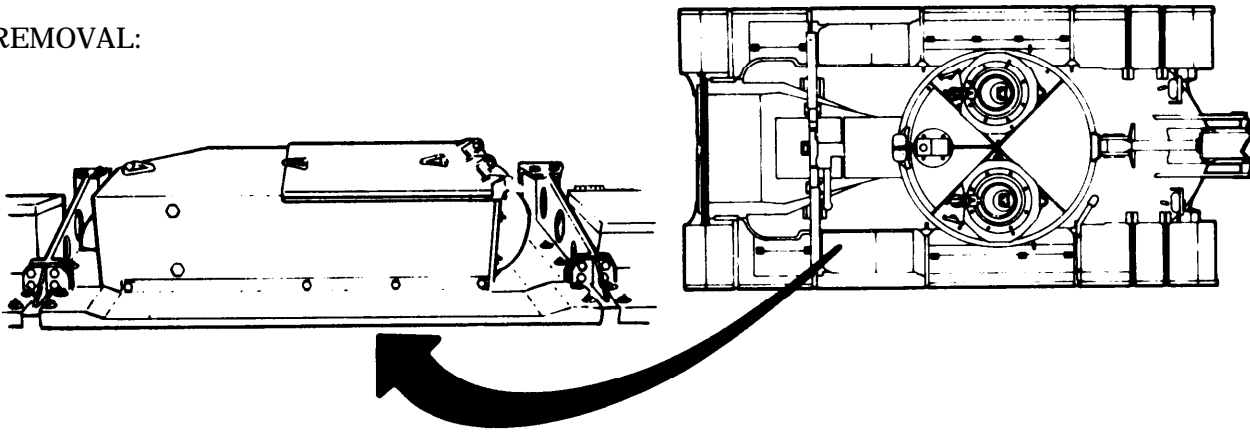
**AIR CLEANER FENDER REPLACEMENT (Sheet 1 of 1)**

TOOLS: 9/16 in combination box and open end wrench  
5/8 in. combination box and open end wrench

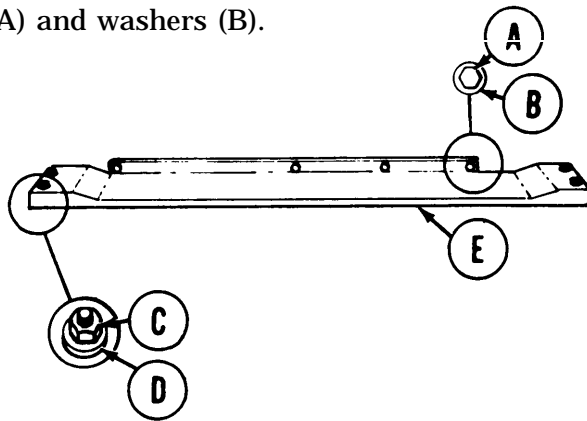
**NOTE**

Removal and installation procedure for the air cleaner winter is the same for both left and right sides.

**REMOVAL:**

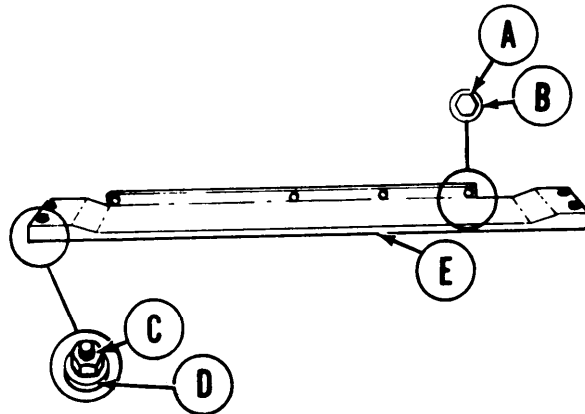


1. Using 5/8 inch wrench, remove four screws (A) and washers (B).
2. Using 9/16 inch wrench, remove four locknuts (C) and washers (D).
3. Remove fender (E).



**INSTALLATION:**

1. Position fender (E) on outrigger studs.
2. Using 9/16 inch wrench, install four washers (D) and locknuts (C).
3. Using 5/8 inch wrench, install four washers (B) and screws (A).



End of Task

TA169468

REAR FENDER PLATE, SHIELD, AND SUPPORT REPLACEMENT (Sheet 1 of 5)

PROCEDURE INDEX

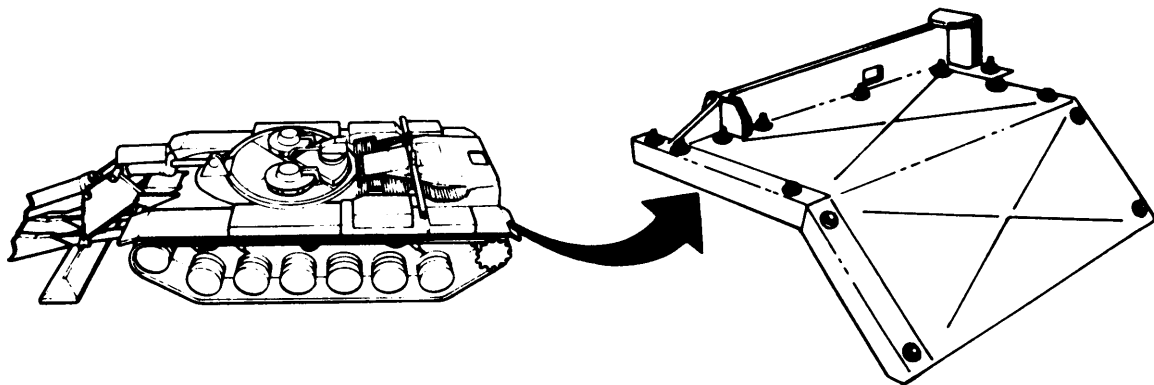
PROCEDURE	PAGE
Removal	16-57
Installation	16-60

TOOLS: 9/16 in. combination box and open end wrench (2 required)  
 7/16 in. combination box and open end wrench (2 required)  
 9/16 in. socket with 1/2 in. drive  
 Ratchet with 1/2 in. drive  
 3/4 in. combination box and open end wrench (2 required)

NOTE

Removal and installation procedure for the air cleaner fender is the same for both left and right sides.

REMOVAL:

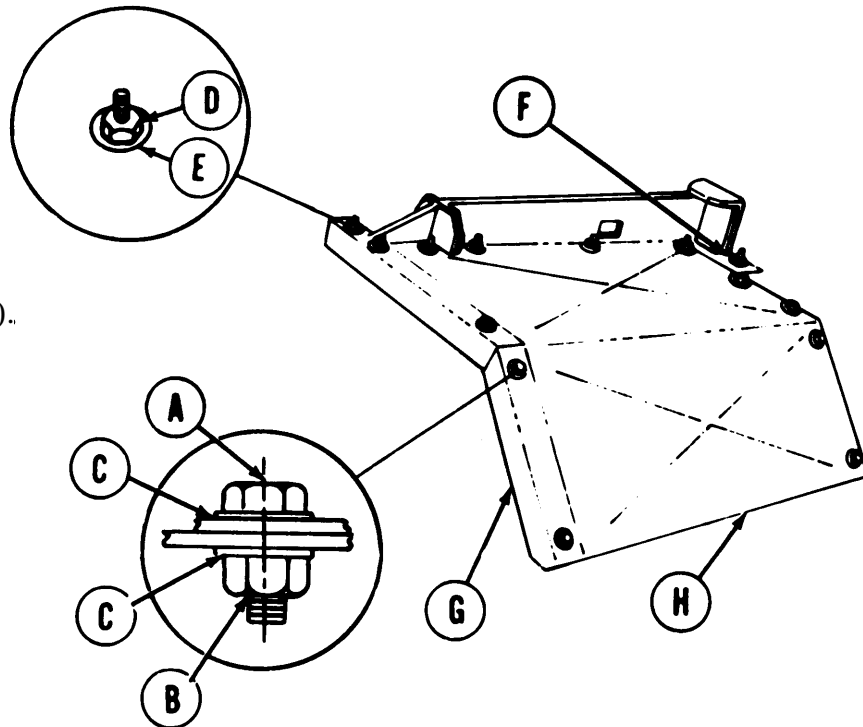


Go on to Sheet 2

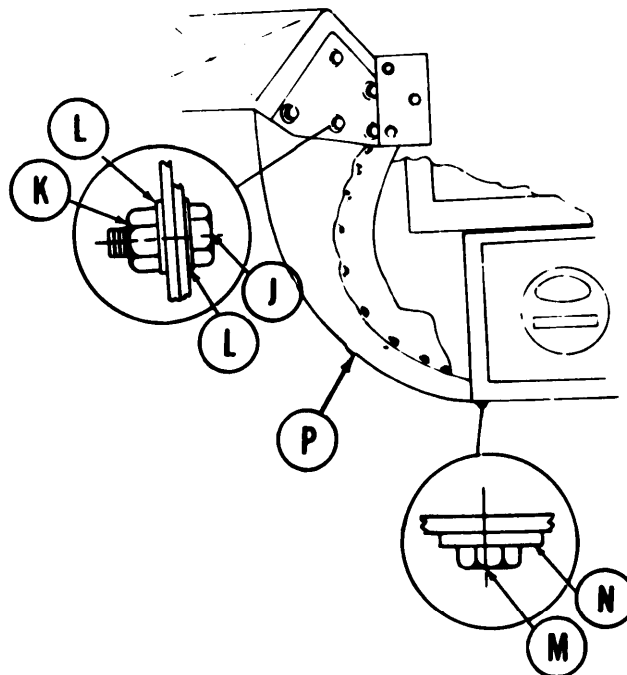
TA169469

REAR FENDER PLATE, SHIELD, AND SUPPORT REPLACEMENT (Sheet 2 of 5)

1. Using two 9/16 inch wrenches, remove seven screws (A) seven locknuts (B), and 14 washers (C).
2. Using 9/16 inch wrench, remove four locknuts (D) and washers (E).
3. Using two 3/4 inch wrenches, remove two screws and locknuts (F).
4. Remove outer support (G).
5. Remove plate (H).



6. Using two 9/16 inch wrenches, remove five screws (J), locknuts (K), and 10 washers (L).
7. Using 9/16 inch wrench, remove two screws (M) and washers (N).
8. Remove shield (P).

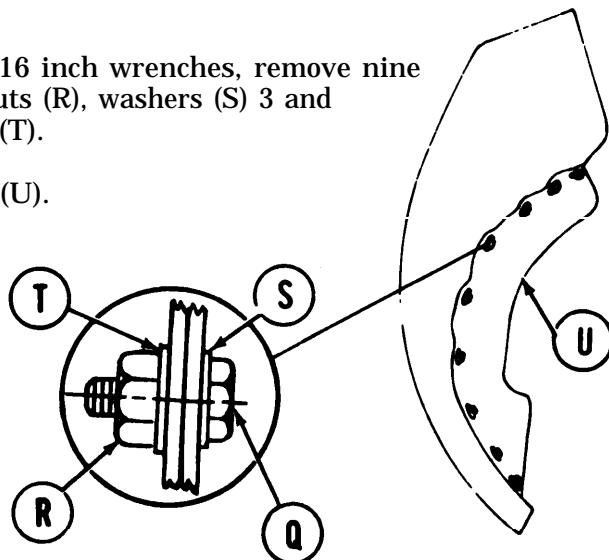


Go on to Sheet 3

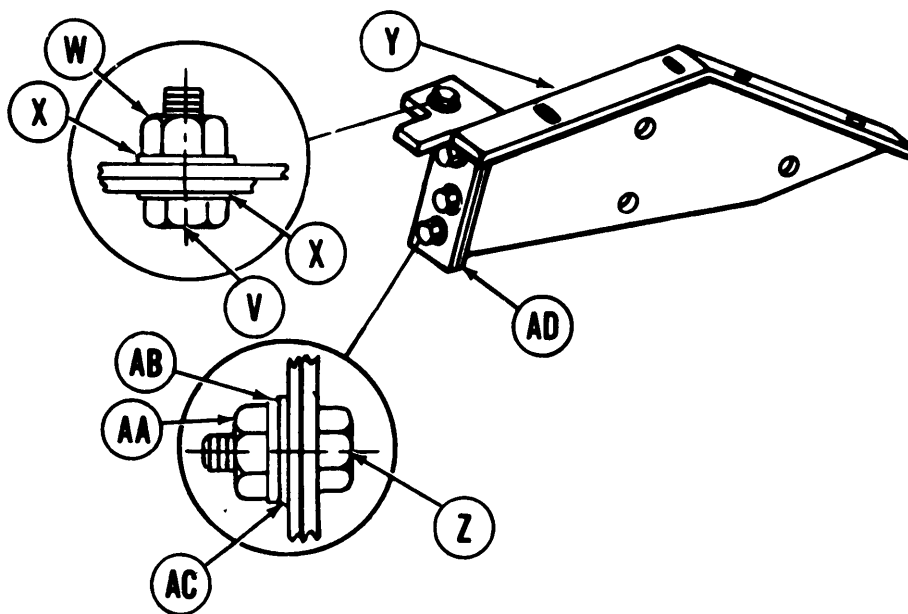
TA169470

REAR FENDER PLATE, SHIELD, AND SUPPORT REPLACEMENT (Sheet 3 of 5)

9. Using two 7/16 inch wrenches, remove nine screws (Q), nuts (R), washers (S) 3 and lockwashers (T).
10. Remove pad (U).



11. Using two 9/16 inch wrenches, remove screw (V), locknut (W), and two washers (X).
12. Remove support plate (Y).
13. Using two 7/16 inch wrenches, remove three screws (Z), nuts (AA), lockwashers (AB), and washers (AC) and pad (AD).



Go on to Sheet 4

TA169471

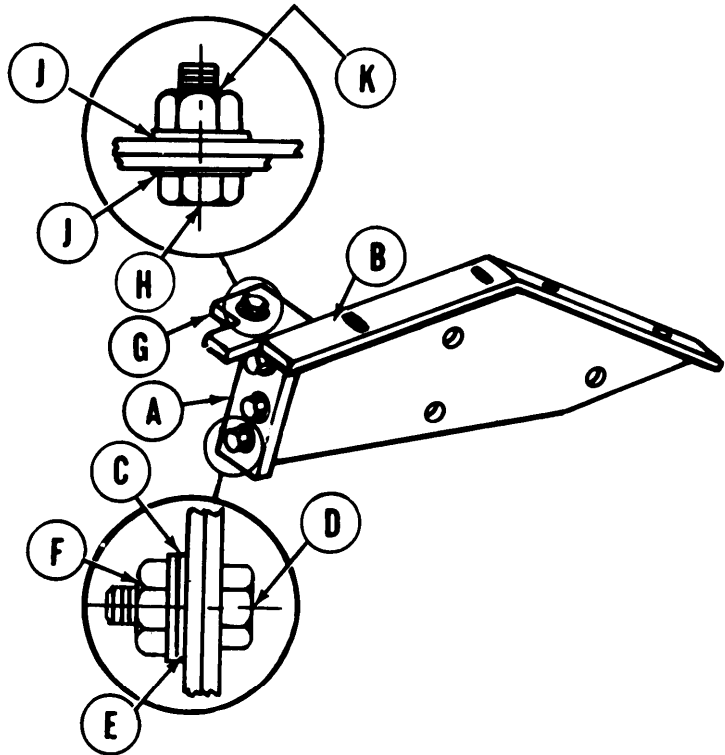
REAR FENDER PLATE, SHIELD, AND SUPPORT REPLACEMENT (Sheet 4 of 5)

NOTE

Do not tighten screws and nuts at this time.  
It may be necessary to move plate to align mounting holes.

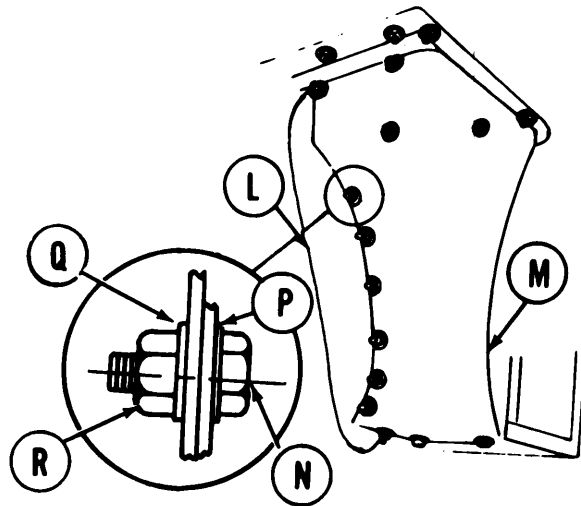
INSTALLATION:

1. Position pad (A) on support plate (B).
2. Using two 7/16 inch wrenches, install three washers (C), screws (D), lockwashers (E) and nuts (F).
3. Position support plate (B) on bracket (G).



4. Using two 9/16 inch wrenches, install screw (H), two washers (J), and lockwashers

5. Place pad (L) in position on shield (M).
6. Using two 7/16 inch wrenches, install nine screws (N), washers (P), lockwashers (Q), and nuts (R).

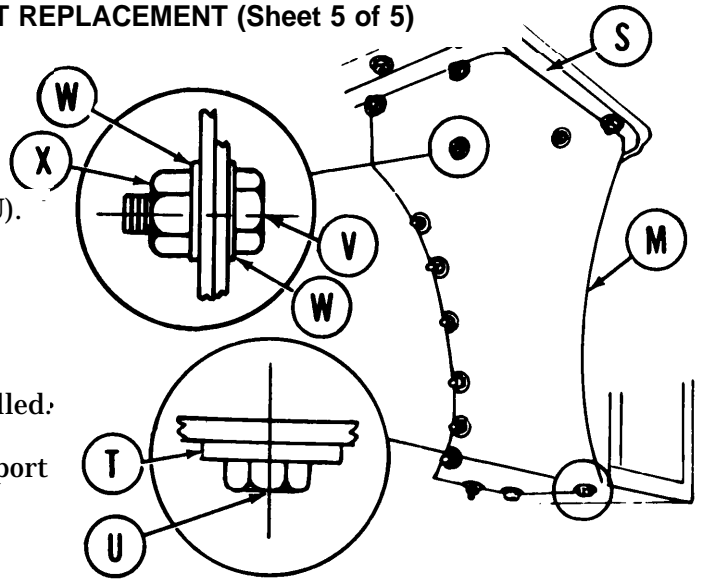


Go on to Sheet 5

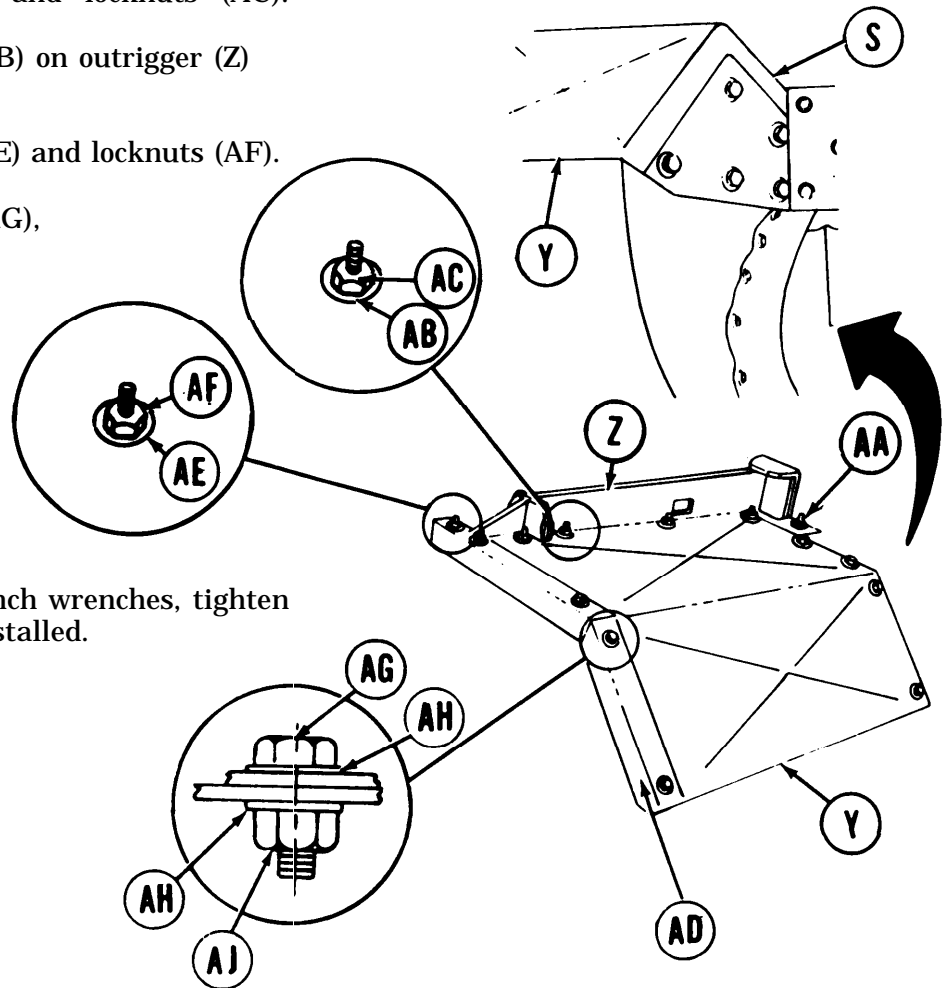
TA169472

REAR FENDER PLATE, SHIELD, AND SUPPORT REPLACEMENT (Sheet 5 of 5)

7. Place shield (M) in position on support plate (S).
- a. Install two washers (T) and screws (U).
9. Install five screws (V), 10 washers (W), and five locknuts (X).
10. Using 9/16 inch wrench and 9/16 inch socket, tighten all nuts and screws installed:
11. Place fender plate (Y) in position on support plate (S) and outrigger (Z).
12. Using two 3/4 inch wrenches, install two screws and locknuts (AA).



13. Install washers (AB) and locknuts (AC).
14. Place outer support (AB) on outrigger (Z) studs and plate (Y).
15. Install two washers (AE) and locknuts (AF).
16. Install seven screws (AG), 14 washers (AH) and seven locknuts (AJ).



17. Using 7/16 and 9/16 inch wrenches, tighten all nuts and screws installed.

End of Task

TA169473

**NO. 1 AND NO. 2 OUTRIGGER REPLACEMENT (Sheet 1 of 3)**

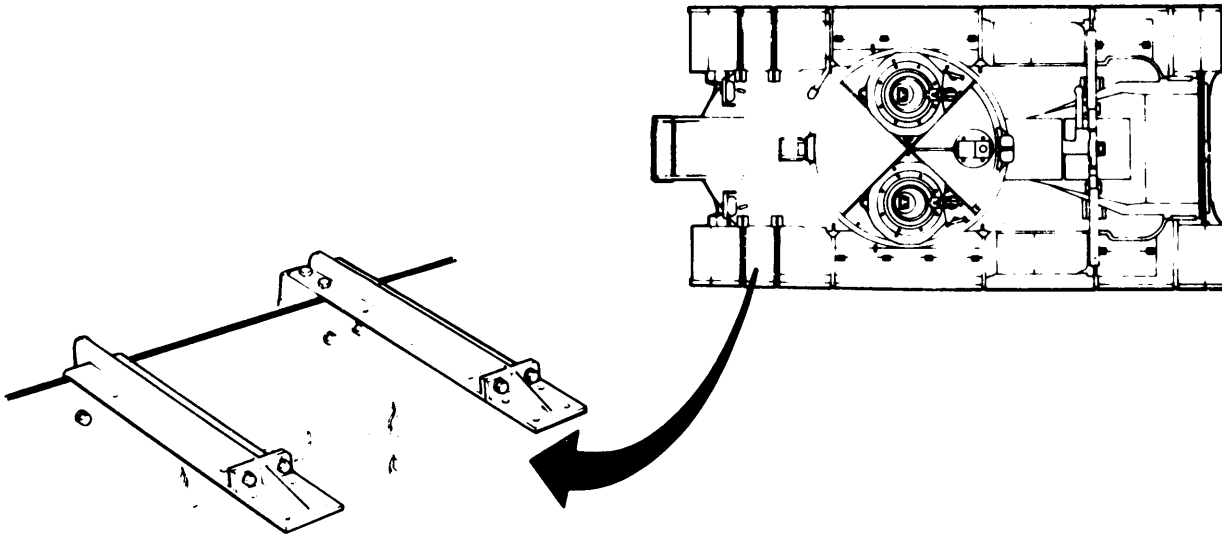
**TOOLS:** 13/16 in. socket with 1/2 in. drive  
9/16 in. socket with 1/2 in. drive  
8 in. extension with 1/2 in. drive  
Ratchet with 1/2 in. drive  
Breaker bar with 1/2 in. drive  
9/16 in. combination box and open end wrench

**PRELIMINARY PROCEDURE:** Remove fender plates No. 1, No. 2, and No. 3 (pages 16-45, 16-51, and 16-53)

**NOTE**

Removal and installation procedure for outriggers No. 1 and No. 2 is the same for both left and right sides.

**REMOVAL:**



Go on to Sheet 2

TA169474

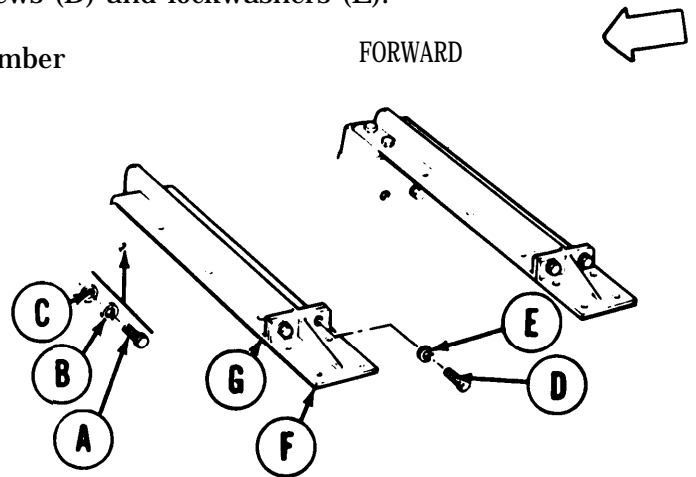


**NO. 1 AND NO. 2 OUTRIGGER REPLACEMENT (Sheet 2 of 3)**

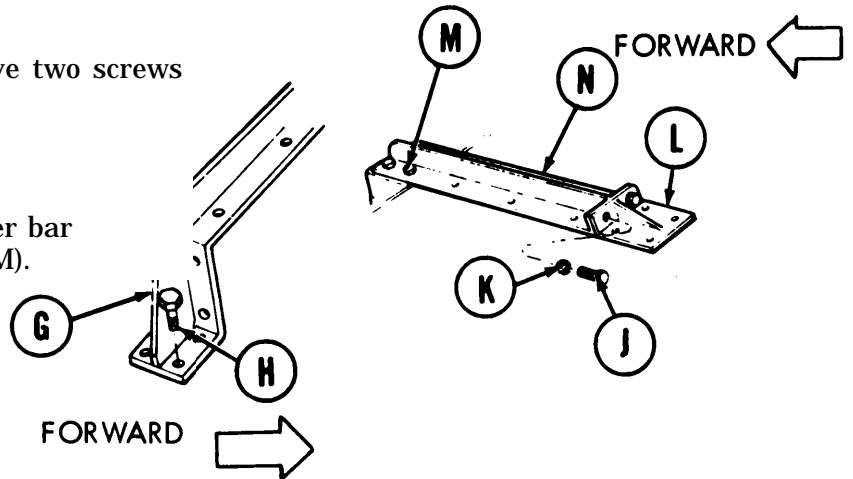
1. Using 9/16 inch socket, remove four screws (A), lockwashers (B), and washers (C).
2. Using 9/16 inch wrench, remove two screws (D) and lockwashers (E).

Remove end plate (F) from outrigger number 1 (G).

4. Using 13/16 socket, extension, and breaker bar, remove four screws (H).



5. Remove outrigger (G).
6. Using 9/16 inch socket, remove two screws (J) and lockwashers (K).
7. Remove end plate (L).
8. Using 13/16 socket and breaker bar extension, remove four screws (M).
9. Remove outrigger (N).



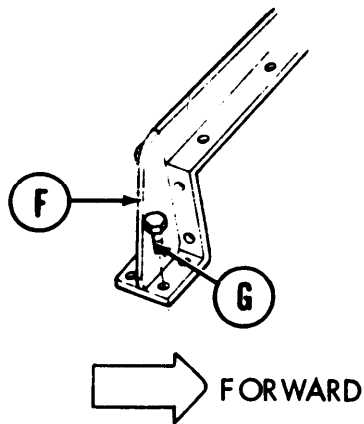
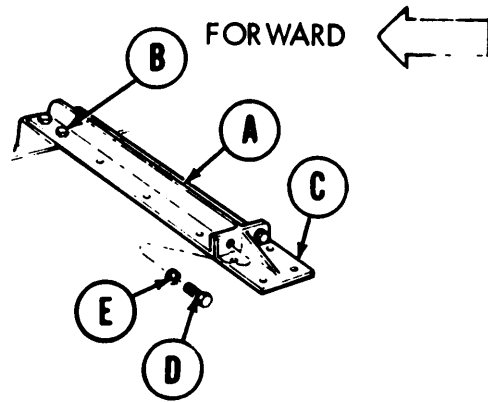
Go on to Sheet 3

TA169475

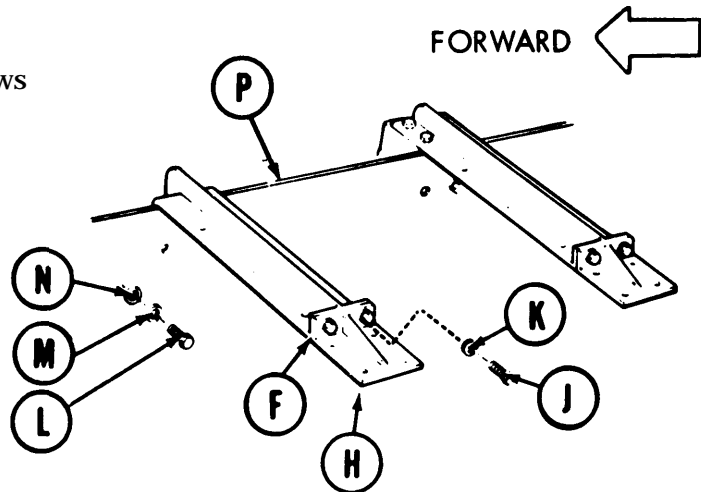
NO. 1 AND NO. 2 OUTRIGGER REPLACEMENT (Sheet 3 of 3)

INSTALLATION:

1. Place outrigger (A) in position.
2. Using 13/16 inch socket, extension, and ratchet, install four screws (B).
3. Place end plate (C) in position.
4. Using 9/16 inch socket, install two screws (D) and lockwashers (E).
5. Place outrigger (F) in position.
6. Using 13/16 inch socket, extension, and ratchet, install four screws (G).



7. Place end plate (H) in position to join outrigger (F).
8. Using 9/16 inch socket, install two screws (J) and lockwashers (K).
9. Using 9/16 inch socket, install four screws (L), lockwashers (M), and washers (N) to secure shroud (P) to outrigger (F).
10. Install fender plates No. 1, No. 2 and No. 3 (pages 16-47, 16-52, and 16-54).



End of Task

TA169476

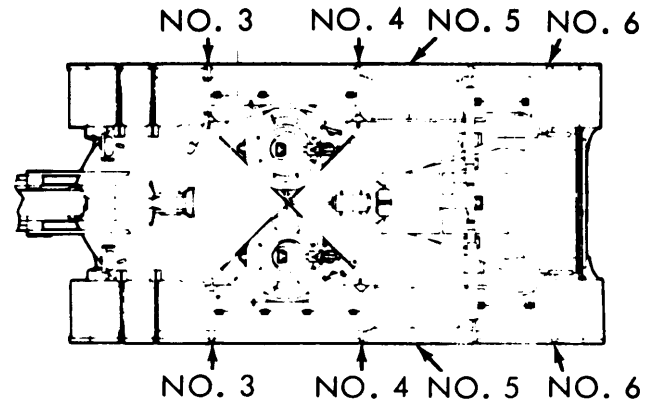
**OUTRIGGERS NO. 3, 4, 5, AND 6 REPLACEMENT (Sheet 1 of 7)**

**PROCEDURE INDEX**

PROCEDURE	PAGE
Removal	
Outrigger No. 3	16-65
Outrigger No. 4	16-67
Outrigger No. 5	16-69
Outrigger No. 6	16-70
Installation	
Outrigger No. 3	16-66
Outrigger No. 4	16-68
Outrigger No. 5	16-69
Outrigger No. 6	16-71

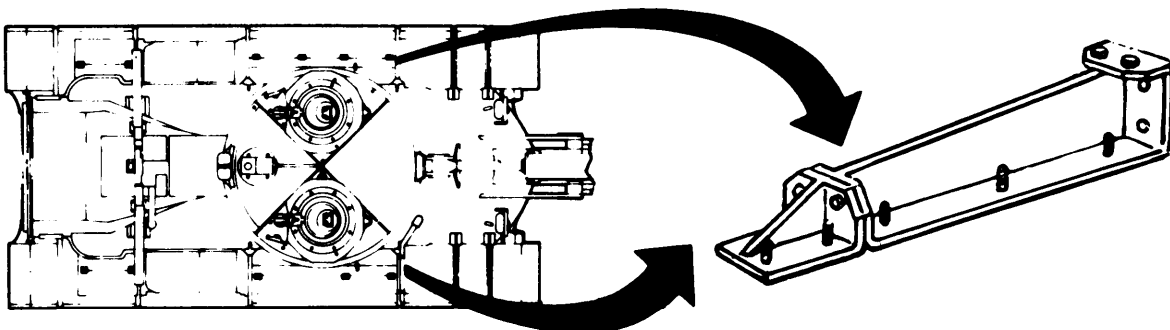
**TOOLS:** 3/4 in. combination box and open end wrench (two required)  
 1 in. combination box and open end wrench (two required)  
 1-1/8 in. combination box and open end wrench (two required)

**SUPPLIES:** Locknuts (MS-51988-11)  
 (14 required)



**NOTE**  
 Removal and installation procedure is the same for both left and right sides. Outriggers are numbered from front to rear; number 6 outrigger is last one in rear.

**REMOVAL: OUTRIGGER NO. 3**



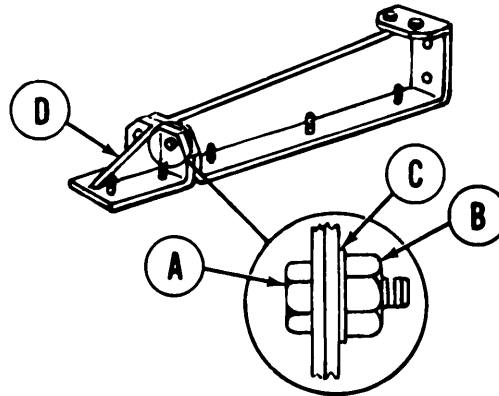
1. Remove fender plate number 3 (page 16-53).
2. Remove center fender and stowage box (page 16-72).

Go on to Sheet 2

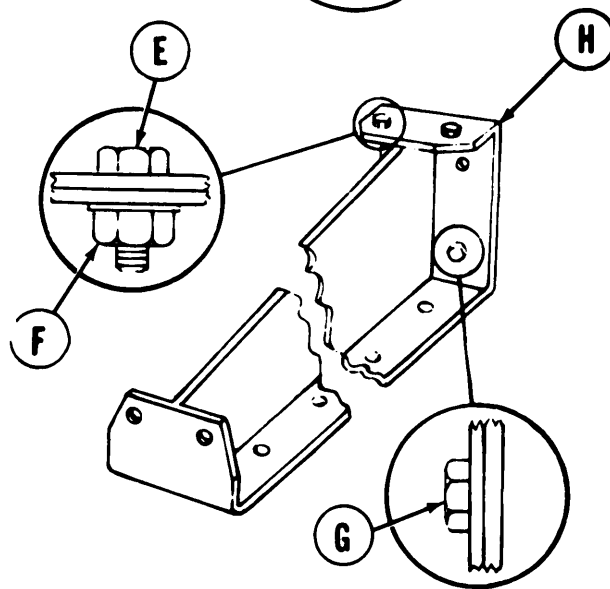
TA169477

**OUTRIGGERS NO. 3, 4, 5, AND 6 REPLACEMENT (Sheet 2 of 7)**

- Using two 3/4 inch wrenches, remove two screws (A), locknuts (B), and plate (C).  
Throw locknuts away.
- Remove bracket (D).

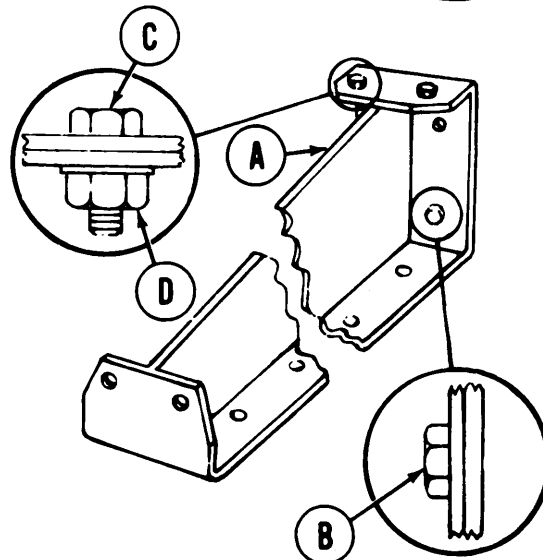


- Using two 3/4 inch wrenches, remove two screws (E) and locknuts (F). Throw locknuts away.
- Using 1-1/8 inch wrench, remove four screws (G).
- Remove outrigger (H).



**INSTALLATION:**

- Position outrigger (A) with holes aligned.
- Using 1-1/8 inch wrench, install four screws (B).
- Using two 3/4 inch wrenches, install two screws (C) and new locknuts (D).

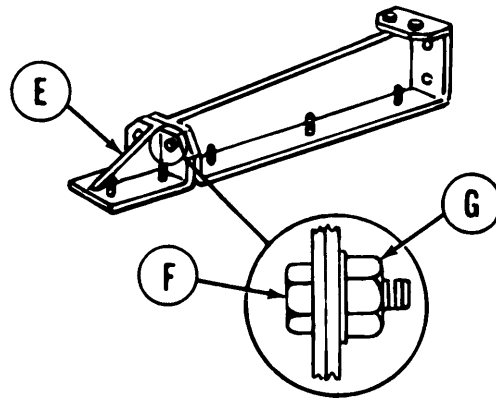


Go on to Sheet 3

TA169478

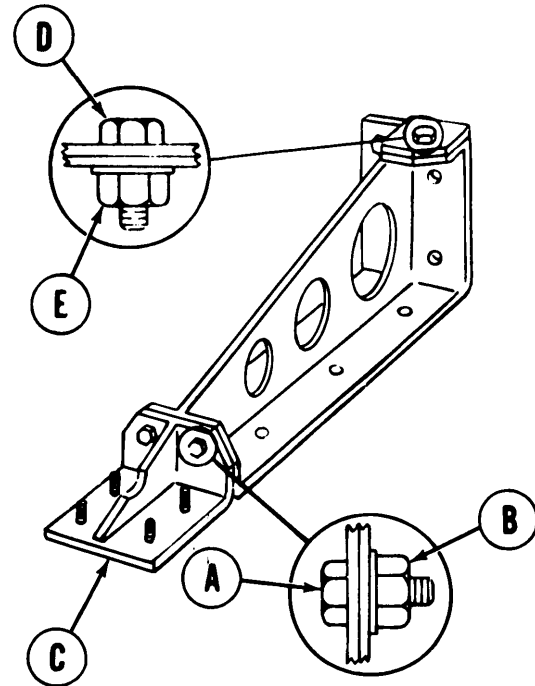
**OUTRIGGERS NO. 3, 4, 5, AND 6 REPLACEMENT (Sheet 3 of 7)**

4. Position bracket (E) with holes alined.
5. Using two 3/4 inch wrenches, install two screws (F) and new locknuts (G).
6. Install center fender and stowage box (page 16-72).
7. Install fender panel and fender plate number 3 (page 16-53).

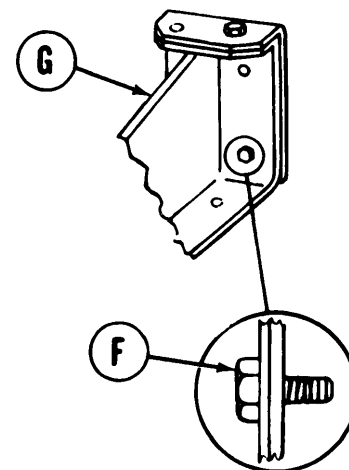


**REMOVAL: OUTRIGGER NO. 4**

1. Remove center fender and stowage box (page 16-72).
2. Remove air cleaner (page 7-93).
3. Using two 3/4 inch wrenches, remove two screws (A), locknuts (B). Throw locknuts away.
4. Remove bracket (C).
5. Using two 3/4 inch wrenches, remove screw (D) and locknut (E). Throw locknut away.



6. Using 1-1/8 inch wrench, remove four screws (F).
7. Remove outrigger (G).



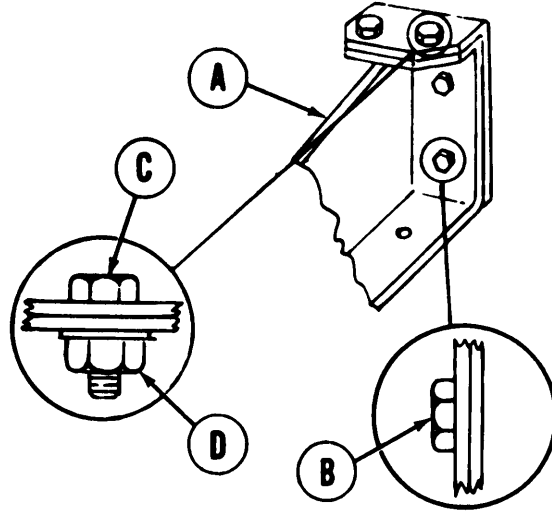
Go on to Sheet 4

TA169479

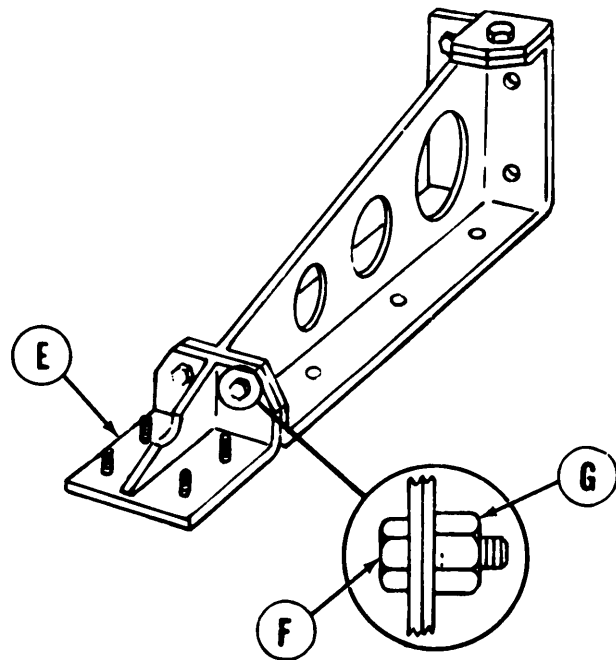
OUTRIGGERS NO. 3, 4, 5, AND 6 REPLACEMENT (Sheet 4 of 7)

INSTALLATION:

1. Position outrigger (A) with holes aligned.
2. Using 1-1/8 inch wrench, install four screws (B).
3. Using two 3/4 inch wrenches, install screw (C) and new locknut (D).



4. Position bracket (E) with holes aligned.
5. Using two 3/4 inch wrenches, install two screws (F), new locknuts (G).
6. Install air cleaner (page 7-93).
7. Install center fender and stowage box (page 16-72).



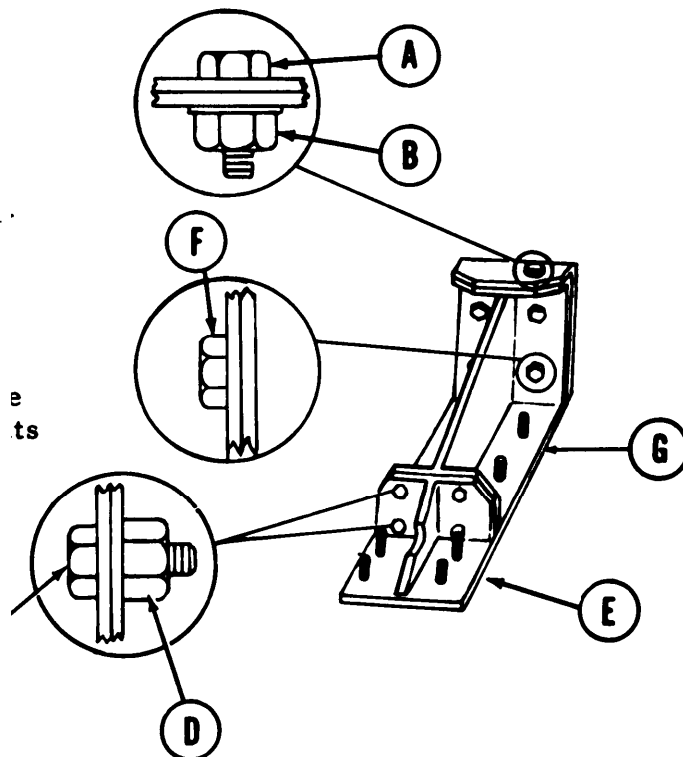
Go on to Sheet 5

TA169480

**OUTRIGGERS NO. 3, 4, 5, AND 6 REPLACEMENT (Sheet 5 of 7)**

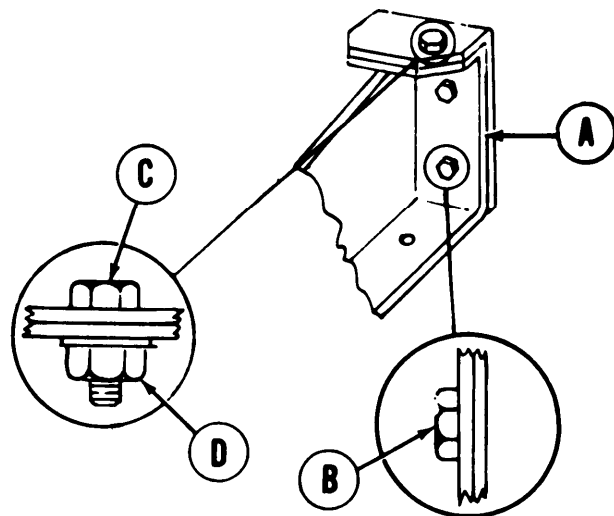
**REMOVAL: OUTRIGGER NO. 5**

1. Remove air cleaner (page 7-93).
2. Remove rear fender stowage box (page 16-78).
3. Using two 3/4 inch wrenches, screws (A), locknuts (B) away.
4. Using two 3/4 inch wrenches, screws (C) and locknuts away.
5. Remove bracket (E).
6. Using 1-1/8 inch wrench screws (F).
7. Remove outrigger (G).



**INSTALLATION**

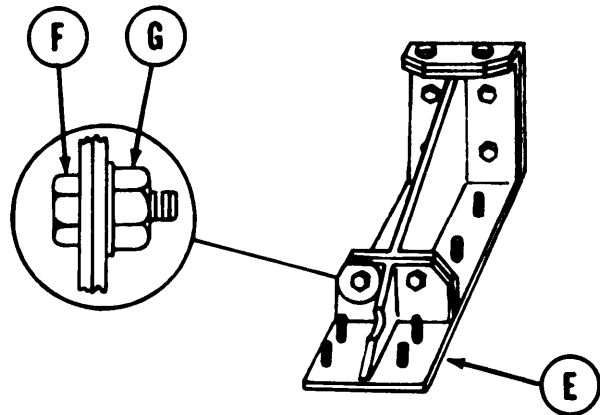
1. Position outrigger (A) with holes alined.
2. Using 1-1/8 inch wrench, install four screws (B).
3. Using two 3/4 inch wrenches, install two screws (C) and new locknuts (D).



TA169481

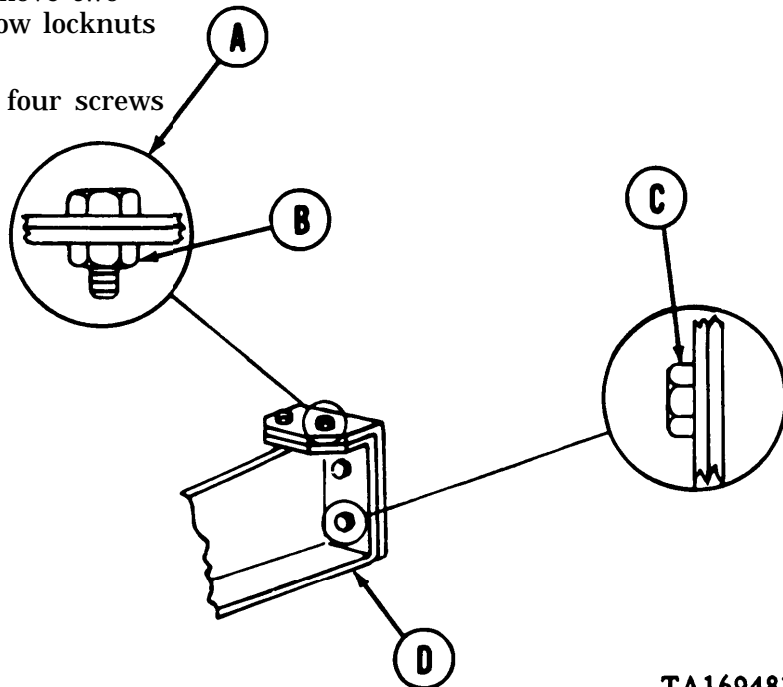
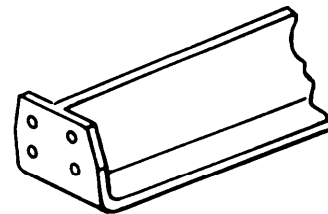
OUTRIGGERS NO. 3, 4, 5, AND 6 REPLACEMENT (Sheet 6 of 7)

4. Position bracket (E) with holes alined.
5. Using two 3/4 inch wrenches, install three screws (F), new locknuts (G).
6. Install rear fender stowage box (page 16-78).
7. Install air cleaner (page 7-93).



REMOVAL: OUTRIGGER NO. 6

1. Remove rear fender stowage box and fender plates (page 16-78).
2. Remove rear fender plate, shield, and support (page 16-57).
3. Using two 3/4 inch wrenches, remove two screws (A) and locknuts (B). Throw locknuts away.
4. Using 1-1/8 inch wrench remove four screws (c).
5. Remove outrigger (D).



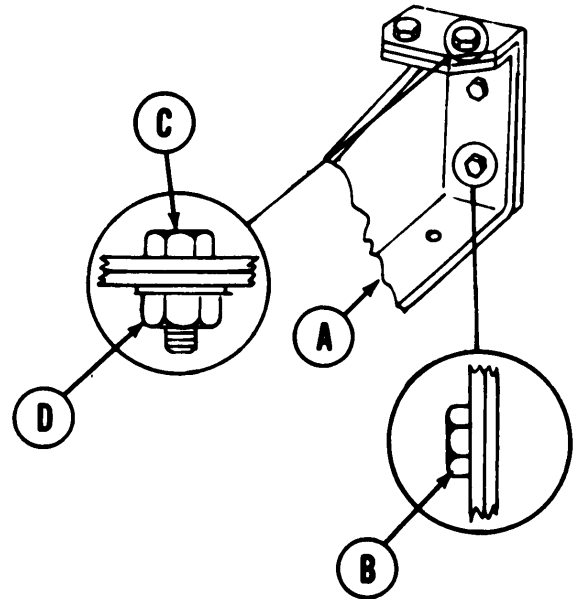
Go on to Sheet 7

TA169482



**OUTRIGGERS NO. 3, 4, 5, AND 6 REPLACEMENT (Sheet 7 of 7)****INSTALLATION:**

1. position outrigger (A) with holes alined.
2. Using 1-1/8 inch wrench, install four screws (B).
3. Using two 3/4 inch wrenches, install two screws (C) and new locknuts (D).



4. Install rear fender plate, shield and support (page 16-57).
5. Install rear fender stowage box and fender plates (page 16-78).

End of Task

TA169483

**CENTER FENDER STOWAGE BOX REPLACEMENT AND REPAIR (Sheet 1 of 6)**

PROCEDURE INDEX

PROCEDURE	PAGE
Removal	16-72
Repair	16-74
Installation	16-77

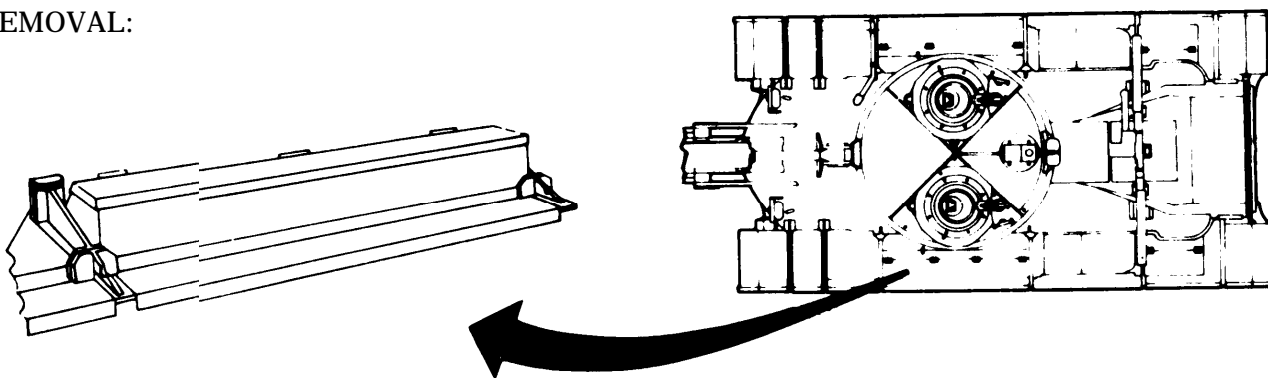
- TOOLS:** Ball peen hammer  
 1/2 in. combination box and open end wrench  
 9/16 in. combination box and open end wrench  
 3/4 in. combination box and open end wrench (2 required)  
 3/8 in. combination box and open end wrench  
 Pliers, slip-joint  
 9/16 in. socket with 1/2 in. drive  
 3/4 in. socket with 1/2 in. drive  
 Ratchet with 1/2 in. drive  
 8 in. extension with 1/2 in. drive

- SUPPLIES:** Cotter Pins (3 required)  
 Locknuts (MS51988-7) (38 required)  
 Locknuts (MS-51988-11) (4 required)

**NOTE**

**PERSONNEL:** Two      **Removal and installation procedure for this stowage box is the same for both left and right sides.**

**REMOVAL:**

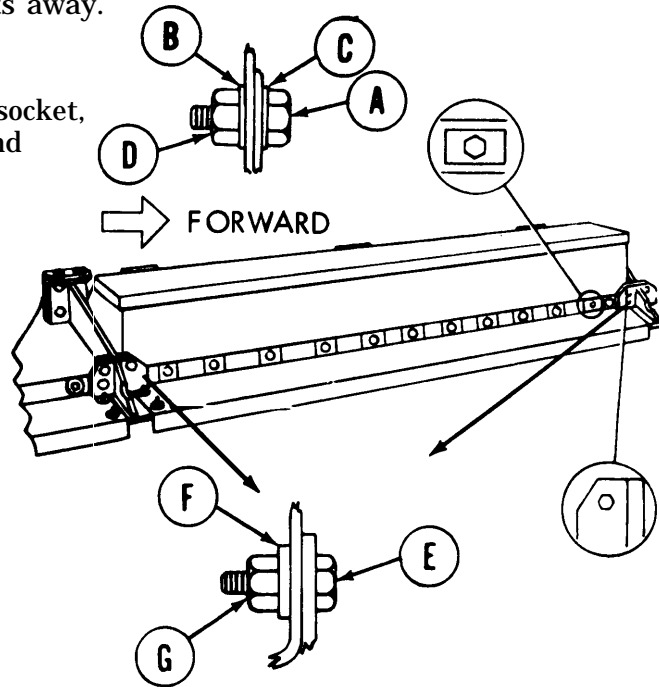


Go on to Sheet 2

TA169484

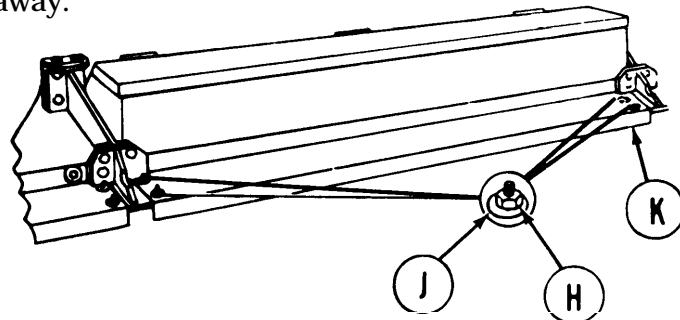
**CENTER FENDER STOWAGE BOX REPLACEMENT AND REPAIR (Sheet 2 of 6)**

- Using 9/16 inch wrench and 9/16 inch socket, remove 12 screws (A), plates (B), washers (C), and locknuts (D). Throw locknuts away.



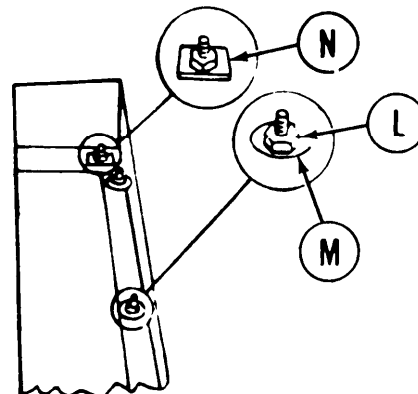
- Using 3/4 inch wrench and 3/4 inch socket, remove two screws (E), plates (F), and locknuts (G). Throw locknuts away.

- Using 9/16 inch socket, remove four locknuts (H) and washers (J). Throw locknuts away.



- Remove plate (K).

- Using 9/16 inch socket, remove ten locknuts (L), six washers (M), and four plates (N). Throw locknuts away.

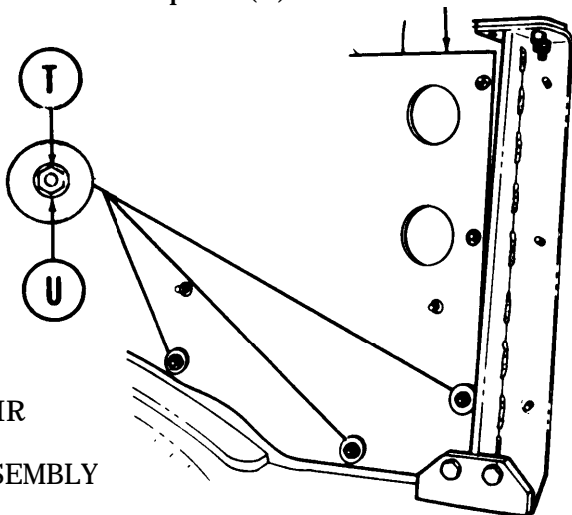
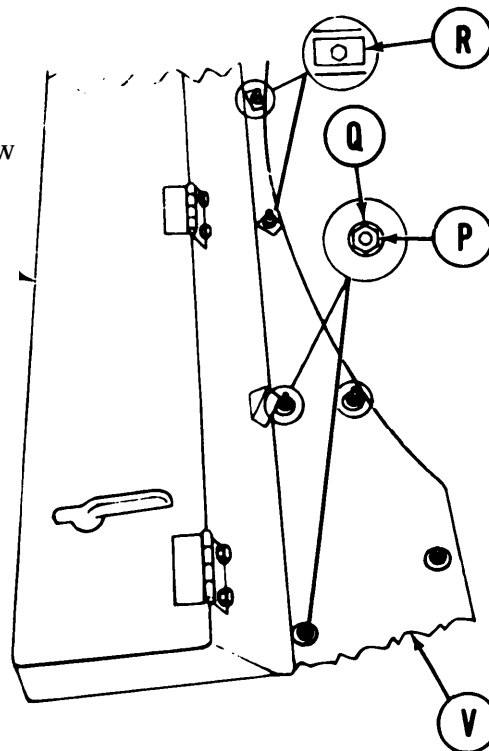


Go on to Sheet 3

TA169485

CENTER FENDER STOWAGE BOX REPLACEMENT AND REPAIR (Sheet 3 of 6)

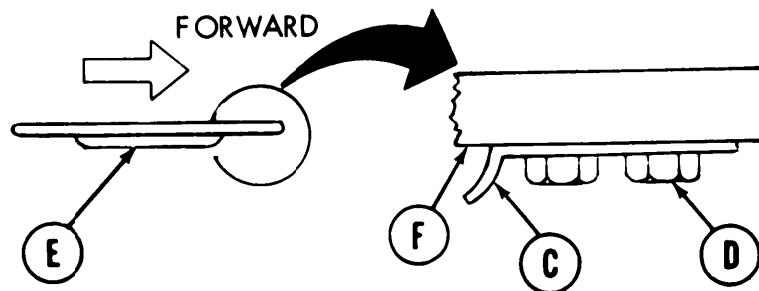
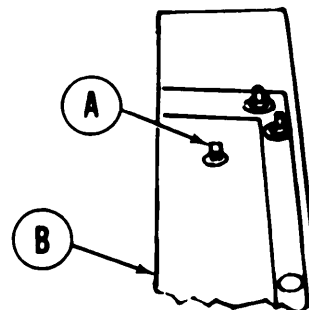
6. Using 9/16 inch socket, remove six locknuts (P), four washers (Q), and two plates (R). Throw locknuts away.
7. With other technician, remove storage box (S).
8. Using 9/16 inch socket with extension) remove six locknuts (T) and washers (U). Throw locknuts away.
9. Remove inner plate (V).



REPAIR

DISASSEMBLY

1. Using 3/8 inch wrench, remove four plugs (A) from inside box (B).
2. Using pliers, bend three locks (C) away from six screws (D).
3. Using 1/2 inch wrench, remove six screws (D).
4. Remove three springs (E) from latch plates (F).

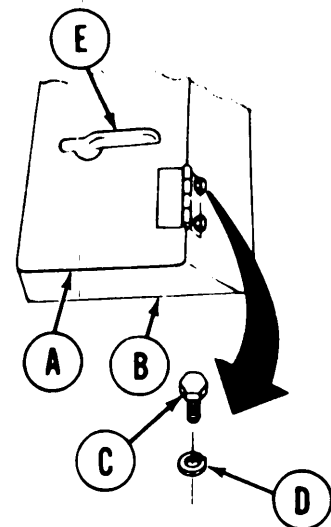
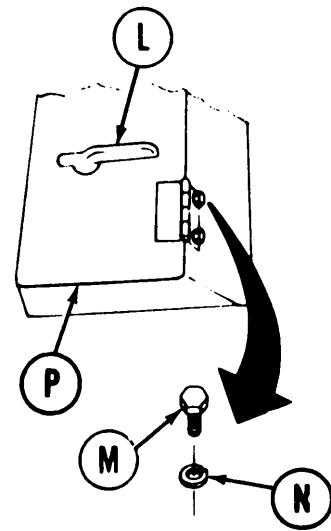
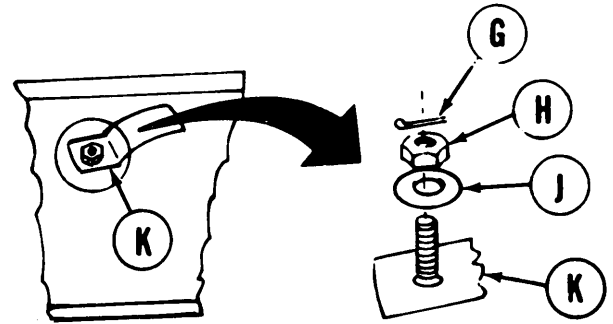


Go on to Sheet 4

TA169486

**CENTER FENDER STOWAGE BOX REPLACEMENT AND REPAIR (Sheet 4 of 6)**

5. Using pliers, remove three cotter pins (G).
6. Using 9/16 inch wrench, remove three nuts (H), washers (J), and tongues (K).
7. Remove three handles with shims (L).
8. Using 9/16 inch wrench, remove eight screws (M) and lockwashers (N).
9. Remove cover (P).



**ASSEMBLY:**

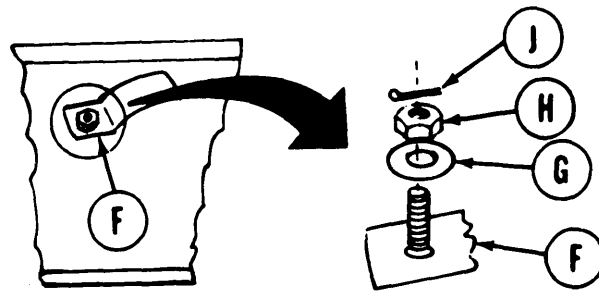
1. Place cover (A) on box (B).
2. Using 9/16 inch wrench install eight screws (C), and lockwashers (D).
3. Install three handles with shims (E).

Go on to Sheet 5

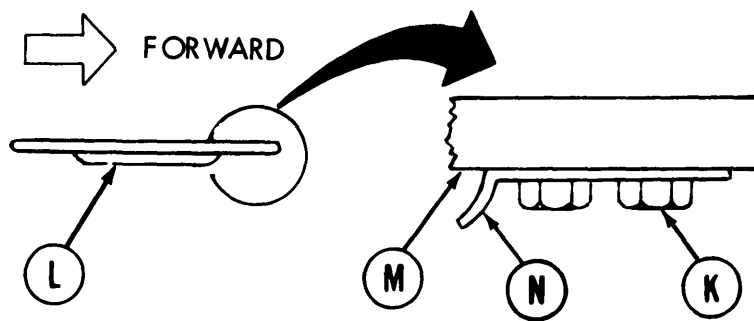
TA169487

CENTER FENDER STOWAGE BOX REPLACEMENT AND REPAIR (Sheet 6 of 6)

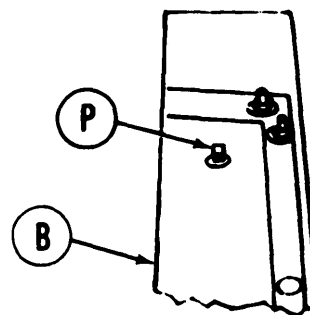
- Using 9/16 inch wrench, install three tongues (F), washers (G), and nuts (H).
- Using pliers, install three new cotter pins (J).
- Using 1/2 inch wrench, install six screws (K) thru three springs (L) into latch plates (M).



- Using hammer, rap on three locks (N) to bend them over screws (K).



- Using 3/8 inch wrench, install four plugs (P) in bottom of box (B).



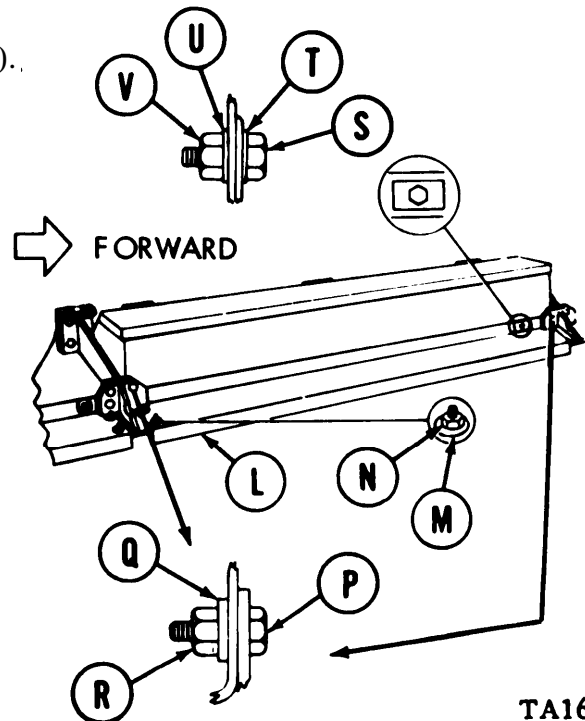
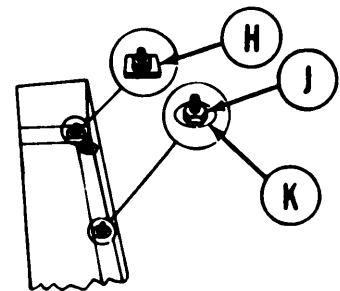
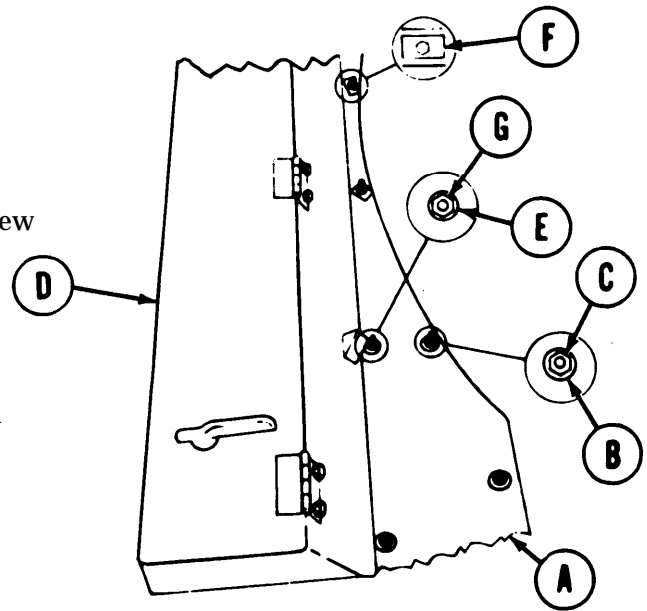
Go on to Sheet 6

TA169488

**CENTER FENDER STOWAGE BOX REPLACEMENT AND REPAIR (Sheet 6 of 6)**

**INSTALLATION:**

1. Position fender plate (A) with holes alined.
2. Using fingers, install six washers (B), and new locknuts (C) finger-tight.
3. Using second technician, position storage box (D) with holes alined.
4. Install four washers (E), two plates (F), and six new locknuts (G).
5. Inside stowage box, install four plates (H) on end studs, six washers (J). Install ten new locknuts (K) on center studs.
6. Position fender plate (L) with holes alined.
7. Install four washers (M), and new locknuts (N).
8. Using 3/4 inch wrench and 3/4 inch socket, install two screws (P), plates (Q), and new locknuts (R).
9. Install twelve screws (S), plates (T), washers (U), and new locknuts (V).
10. Using 9/16 inch wrench (es), tighten all nuts and screws installed.



End of task

TA169489

PROCEDURE INDEX

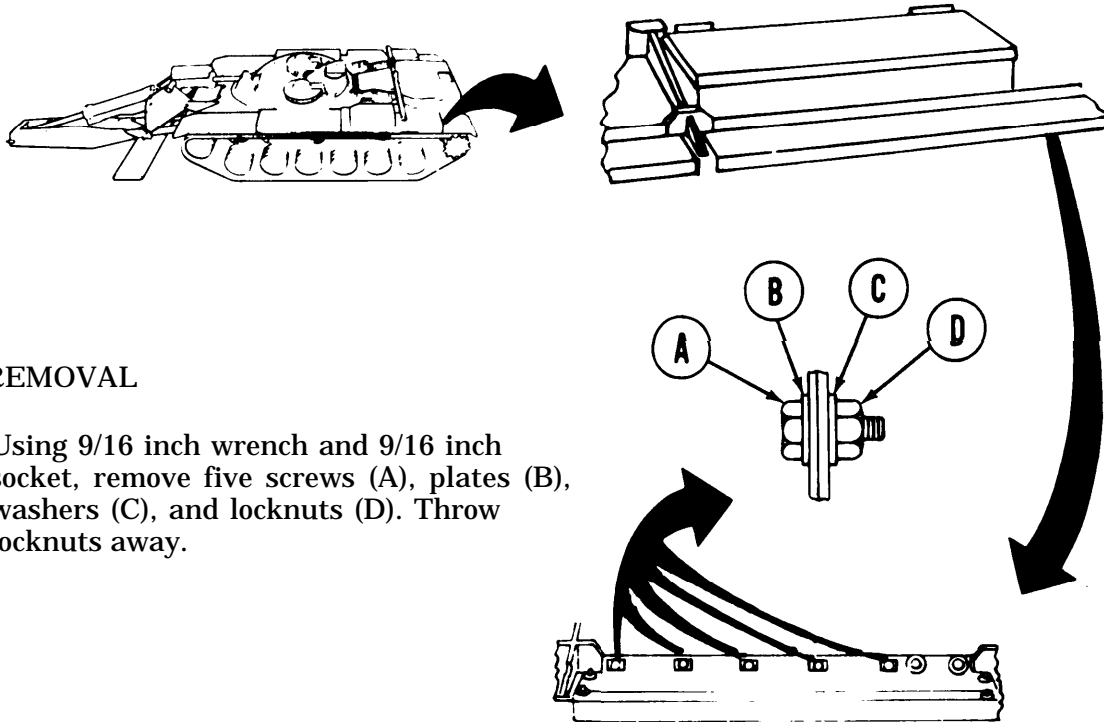
PROCEDURE	PAGE
Removal	16-78
Repair	16-81
Installation	16-83

TOOLS: 9/16 in. combination box and open end wrench (two required)  
 3/4 in. combination box and open end wrench (two required)  
 3/8 in. combination box and open end wrench  
 Pliers, slip joint  
 9/16 in. socket with 1/2 in. drive  
 Ratchet with 1/2 in. drive

SUPPLIES: Locknuts (MS-51988-7) (36 required)  
 Locknut (MS-51988-11) (3 required)  
 Cotter pins (2 required)

NOTE

Removal and installation procedure is the same for both left and right sides.



REMOVAL

- Using 9/16 inch wrench and 9/16 inch socket, remove five screws (A), plates (B), washers (C), and locknuts (D). Throw locknuts away.

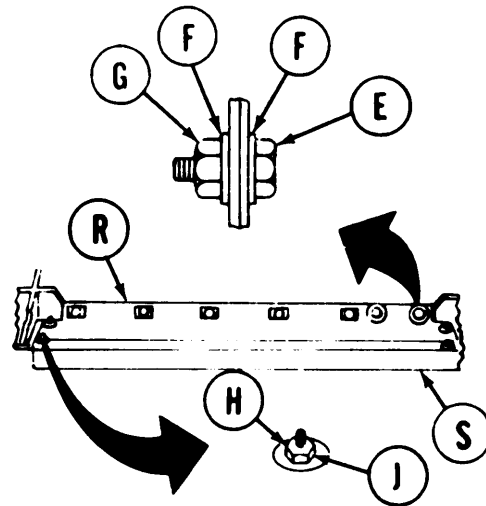
Go to Sheet 2

TA169490

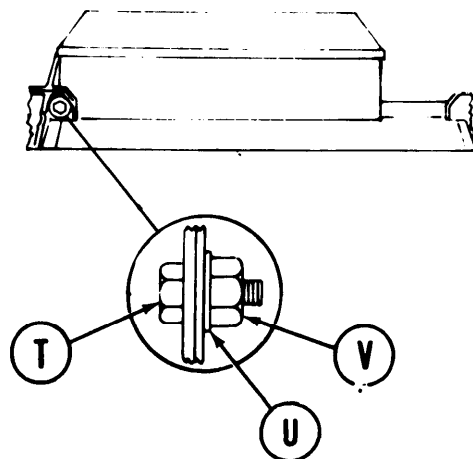
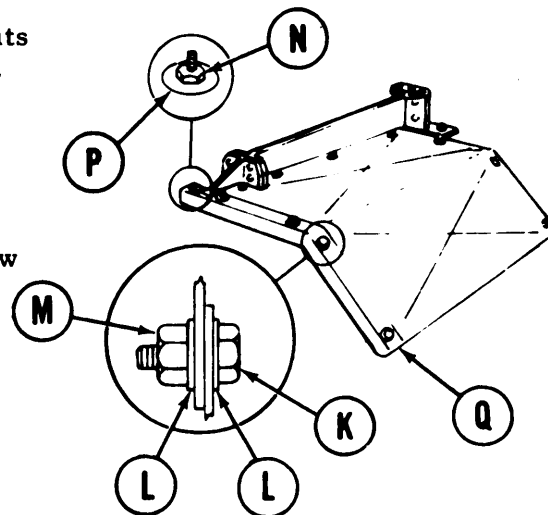


REAR FENDER STOWAGE BOX AND FENDER REPLACEMENT AND REPAIR (Sheet 2 of 9)

2. Using two 9/16 inch wrenches, remove two screws (E), four washers (F), and two locknuts (G). Throw locknuts away.
3. Using 9/16 inch socket, remove four locknuts (H) and washers (J). Throw locknuts away.



4. Using 9/16 inch wrench and 9/16 inch socket, remove three screws (K), six washers (L) and three locknuts (M). Throw locknuts away.
5. Using 9/16 inch socket, remove two locknuts (N) and washers (P).
6. Remove outer support (Q).
7. Remove support (R) and outer plate (S).
8. Using two 3/4 inch wrenches, remove screw (T), plate (U), and locknut (V). Throw locknut away.

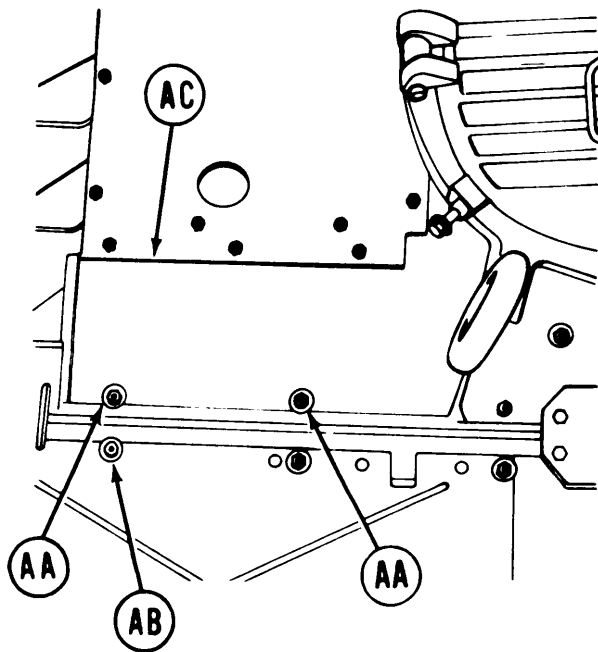
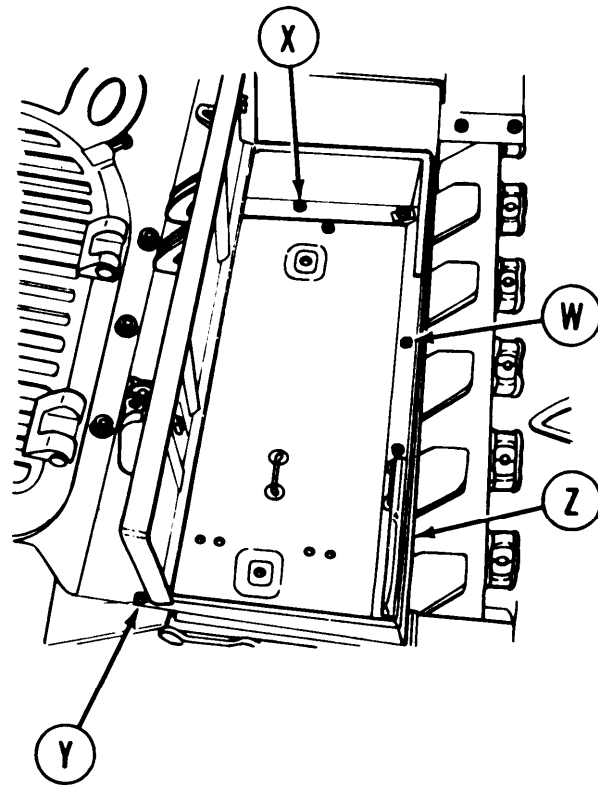


Go on to Sheet 3

TA169491

REAR FENDER STOWAGE BOX AND FENDER REPLACEMENT AND REPAIR (Sheet 3 of 9)

9. Using 9/16 inch wrench, remove ten locknuts and plates (W). Throw locknuts away.
10. Using 9/16 inch wrench, remove two locknuts (X). Throw locknuts away.
11. Using 9/16 inch wrench, remove four locknuts and washers (Y). Throw locknuts away.
12. Remove fender box (Z).



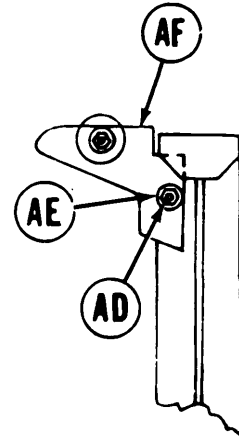
13. Using 9/16 inch socket, remove two locknuts and washers (AA). Throw locknuts away.
14. Using two 3/4 inch wrenches, remove two screws and locknuts (AB). Throw locknuts away.
15. Remove plate (AC) from vehicle.

Go on to Sheet 4

TA169492

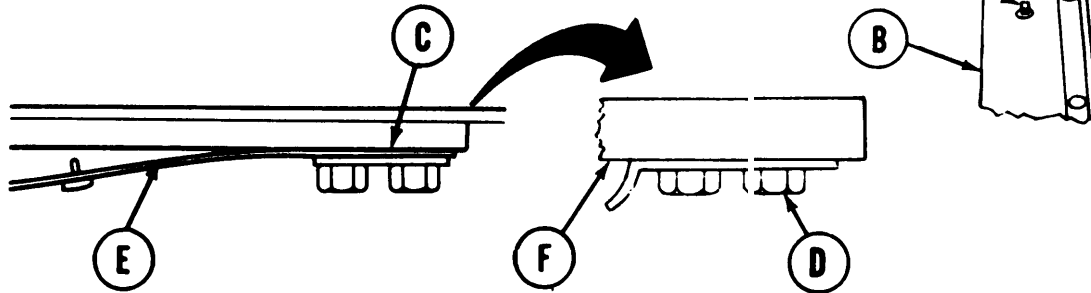
**REAR FENDER STOWAGE BOX AND FENDER REPLACEMENT AND REPAIR (Sheet 4 of 9)**

16. Using 9/16 inch socket, remove two locknuts (AD) and washers (AE). Throw locknuts away.
17. Remove filler plate (AF).

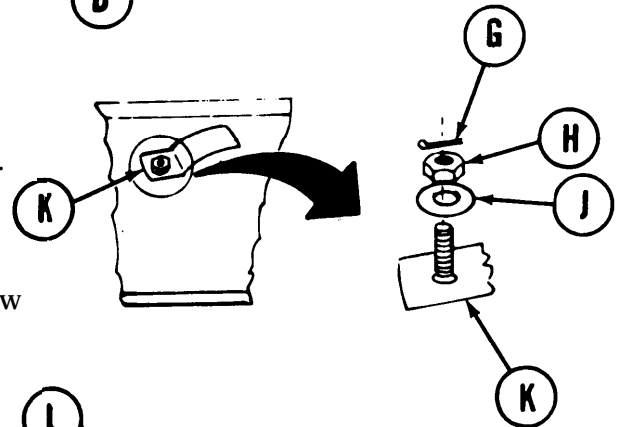


**REPAIR  
DISASSEMBLY:**

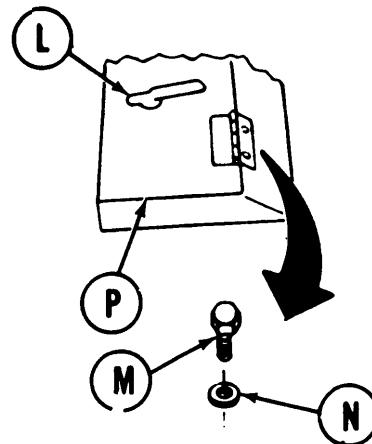
1. Using 3/8 inch wrench, remove two plugs (A) from box (B).



2. Using pliers, bend locks (C) away from screws (D).
3. Using 9/16 inch wrench, remove four screws (D).
4. Remove two springs (E) from latch plates (F).
5. Using pliers, remove two cotter pins (G). Throw cotter pins away.



6. Using 9/16 inch wrench, remove two nuts (H), washers (J) and tongues (K).
7. Remove two handles (L).
8. Using 9/16 inch wrench, remove four screws (M) and lockwashers (N).
9. Remove cover (P).



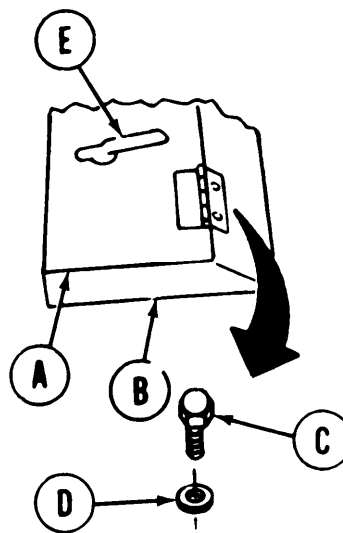
Go on to Sheet 5

TA169493

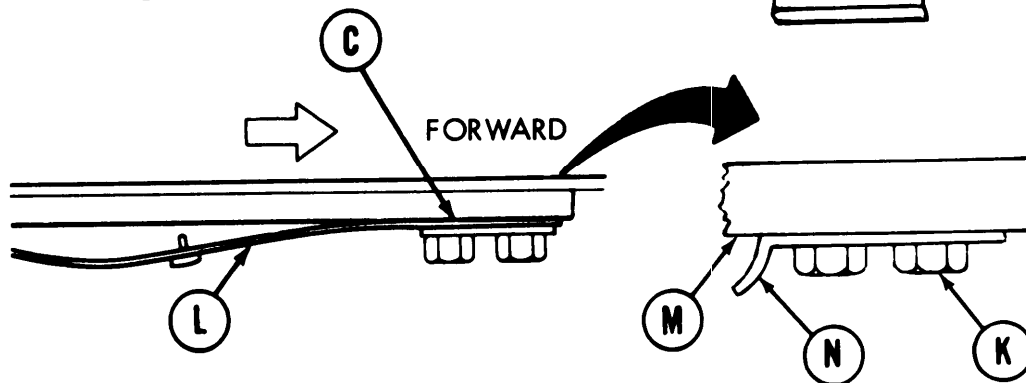
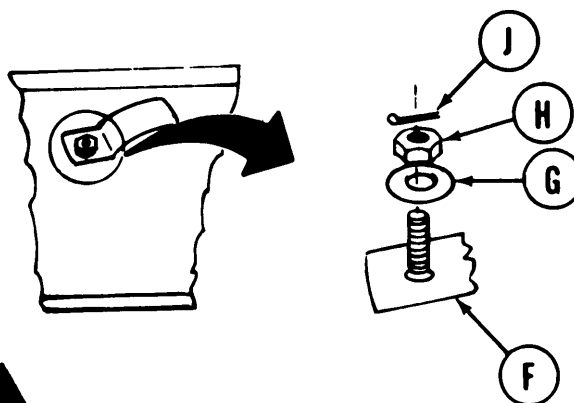
REAR FENDER STOWAGE BOX AND FENDER REPLACEMENT AND REPAIR (Sheet 5 of 9)

ASSEMBLY

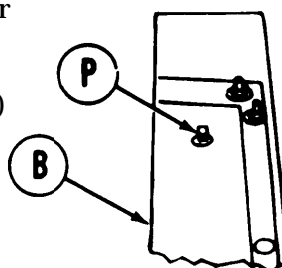
1. Place cover (A) on box (B).
2. Using 9/16 inch wrench, install four screws (C) and lockwashers (D).
3. Install two handles (E).



4. Using 9/16 inch wrench, install two tongues (F), washers (G), and nuts (H).
5. Using pliers, install two new cotter pins (J).
6. Using 9/16 inch wrench, install four screws (K) through two springs (L) into latch plates (M).



7. Using hammer, bend two locks (N) over four screws (K).
8. Using 3/8 inch wrench, install four plugs (P) in bottom of box (B).



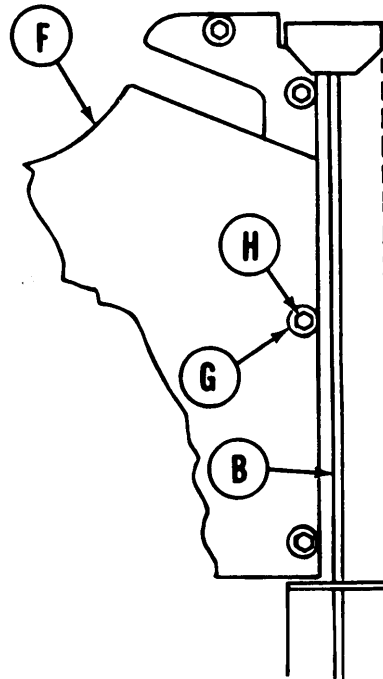
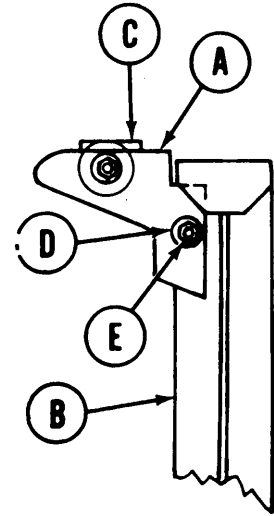
Go on to Sheet 6

TA169494

REAR FENDER STOWAGE BOX AND FENDER REPLACEMENT AND REPAIR (Sheet 6 of 9)

INSTALLATION:

1. Position filler plate (A) on outrigger (B) and bracket (C).
2. Using 9/16 inch wrench, install two washers (D) and new locknuts (E).
3. Position inner plate (F) between outrigger.
4. Using 9/16 inch wrench, install two washers (G) and new locknuts (H) on studs in outrigger (B).

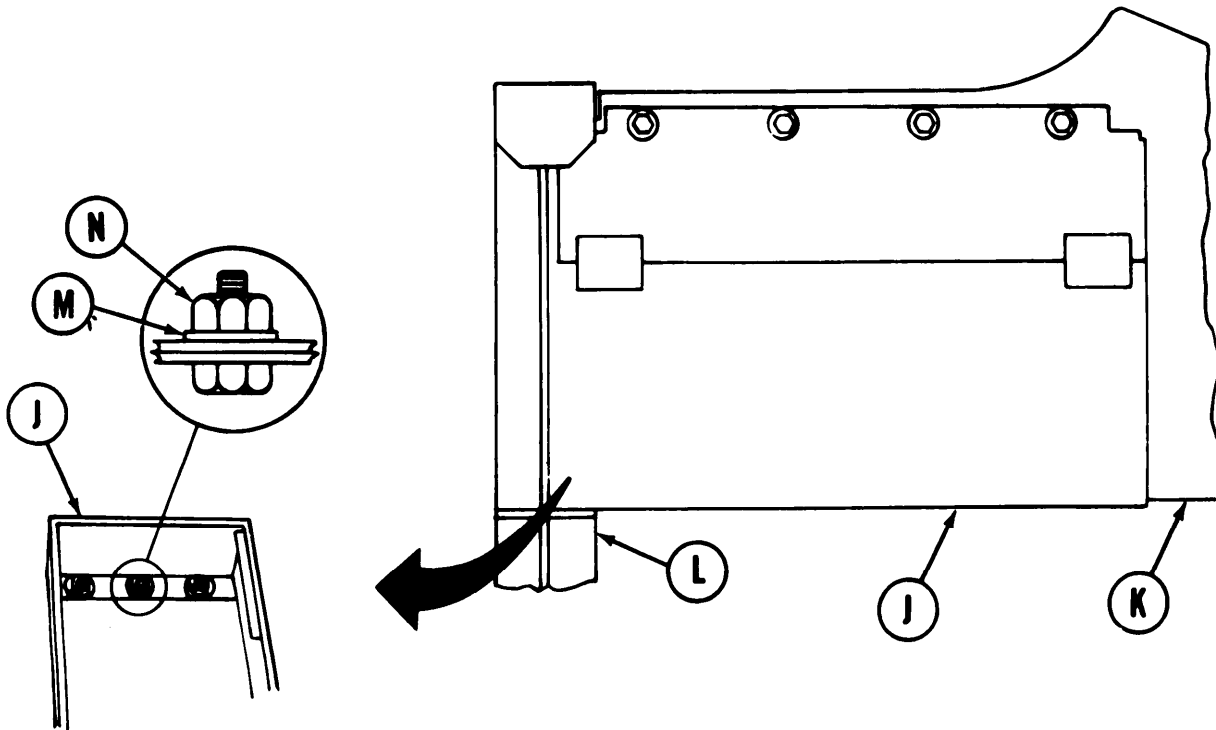


Go on to Sheet 7

TA169495

REAR FENDER STOWAGE BOX AND FENDER REPLACEMENT AND REPAIR (Sheet 7 of 9)

- 5. Position box (J) on inner plate (K) and outrigger (L).



NOTE

**Do not tighten nuts and screws in the following steps.  
It may be necessary to move box to aline mounting holes**

- 6. Install three plates (M) and new locknuts (N) on outrigger (L) studs on inside of box (J).

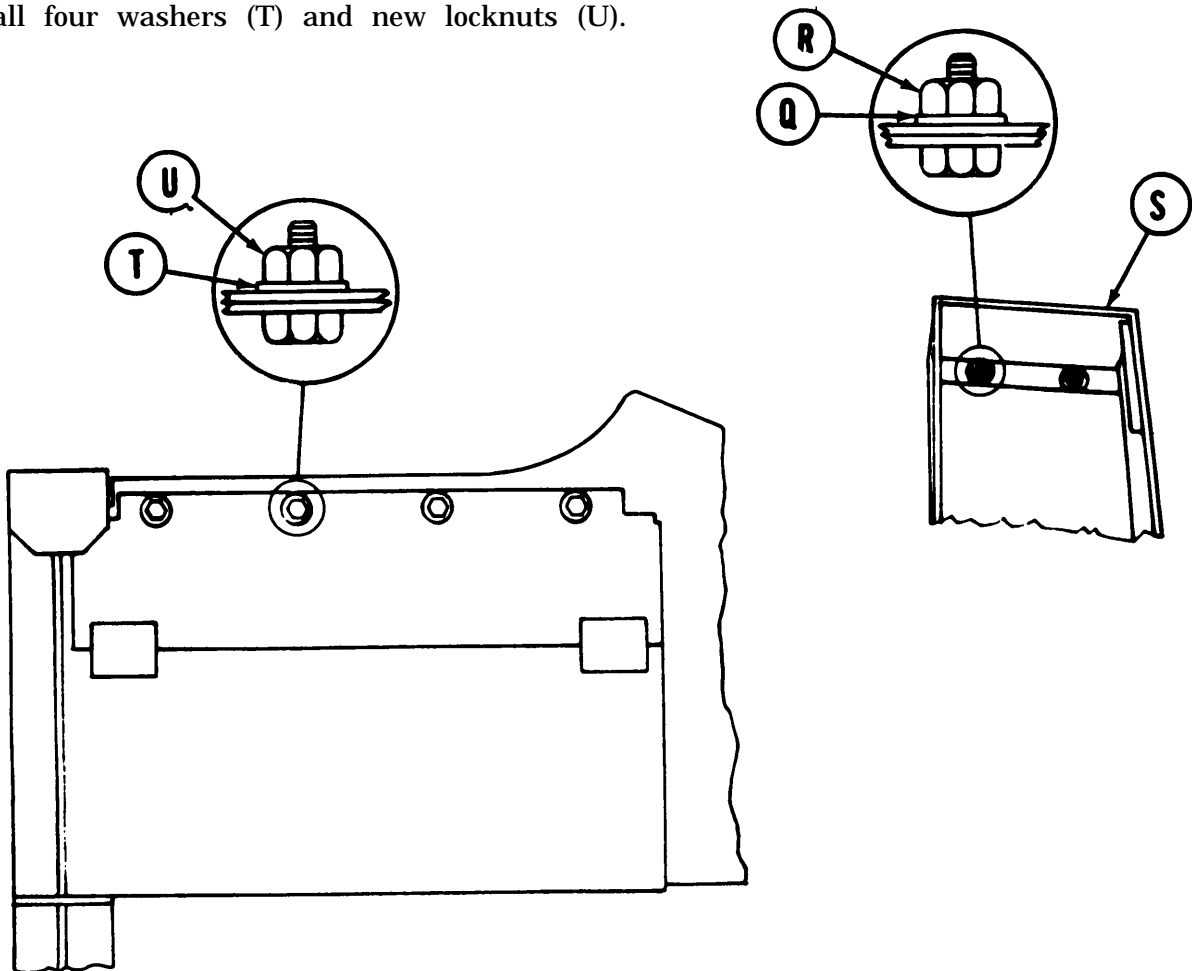
Go on to Sheet 8

TA169496

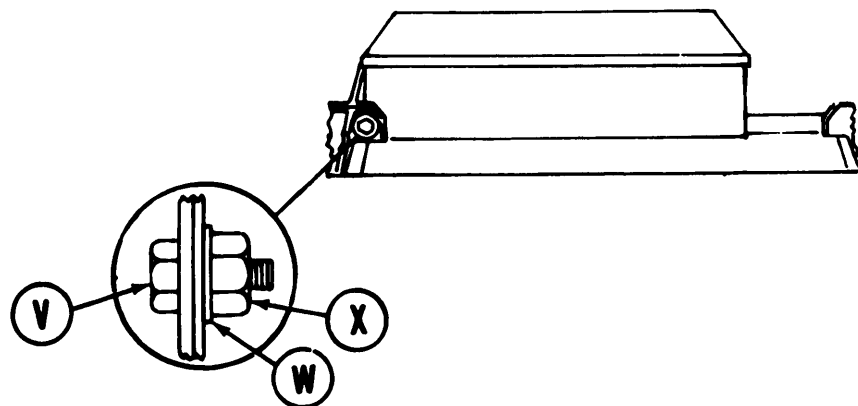
REAR FENDER STOWAGE BOX AND FENDER REPLACEMENT AND REPAIR (Sheet 8 of 9)

7. Install seven plates (Q) and new locknuts (R) inside box (S).

8. Install four washers (T) and new locknuts (U).



9. Install screw (V) plate (W), and new locknut (X).

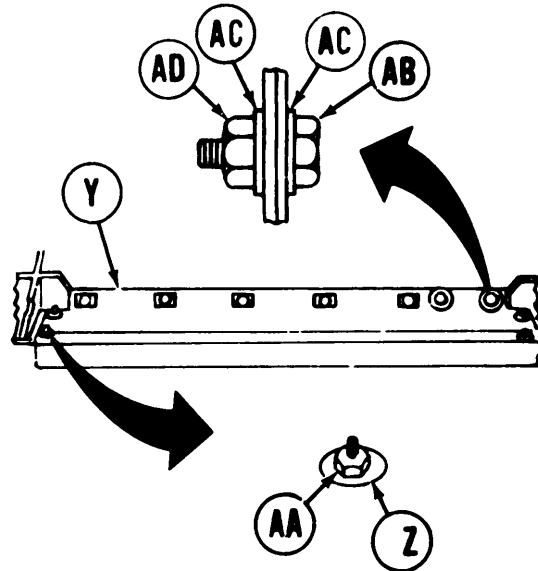


Go on to Sheet 9

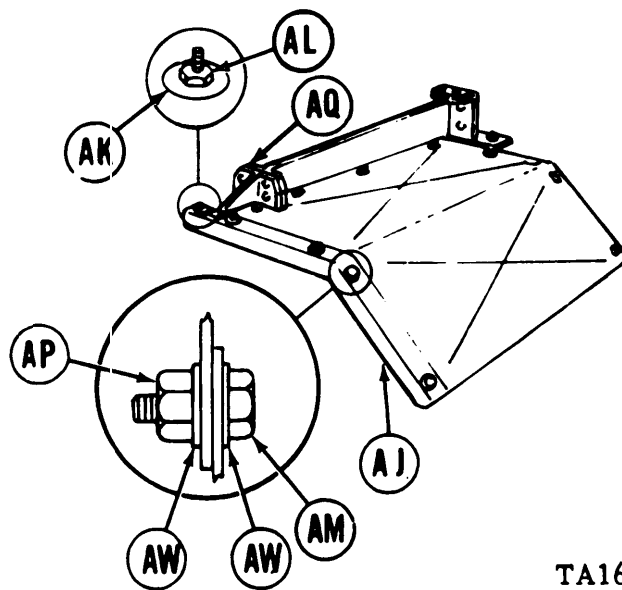
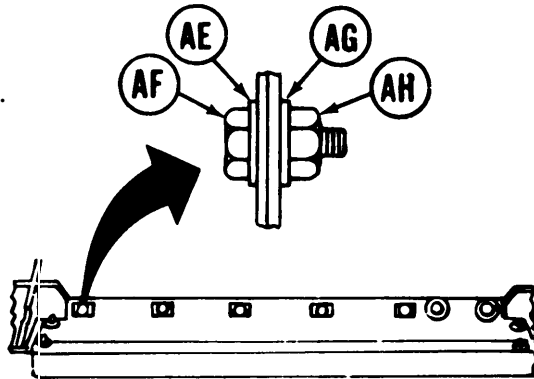
TA169497

REAR FENDER STOWAGE BOX AND FENDER REPLACEMENT AND REPAIR (Sheet 9 of 9)

10. Position outer plate (Y) on outrigger studs
11. Install three washers (Z) and new locknuts (AA).
12. Install two screws (AB), four washers (AC) and two new locknuts (AD).



13. Install five plates (AE), screws (AF), washers (AG), and new locknuts (AH).
14. Position outer support (AJ).
15. Install two washers (AK) and new locknuts (AL).
16. Install three screws (AM), six washers (AN), and three new locknuts (AP).
17. Using two 3/4 inch wrenches, install two screws and new locknuts (AQ).
18. Using 9/16 inch and 3/4 inch wrenches, tighten all nuts and screws installed.



End of Task

TA169498



By Order of the Secretary of the Army:

Official:

E. C. MEYER  
*General, United States Army*  
*Chief of Staff*

ROBERT M. JOYCE  
*Brigadier General, United States Army*  
*The Adjutant General*

**Distribution:**

To be distributed in accordance with DA Form 12-37, organizational maintenance requirements for tank, bridge, launcher, AVLB.



<b>RECOMMENDED CHANGES TO PUBLICATIONS AND BLANK FORMS</b> For use of this form, see AR 25-30; the proponent agency is OAASA						Use Part II (reverse) for Repair Parts and Special Tool Lists (RPSTL) and Supply Catalogs/Supply Manuals (SC/SM).	DATE
<b>TO:</b> (Forward to proponent of publication or form) (Include ZIP Code)						<b>FROM:</b> (Activity and location) (Include ZIP Code)	
<b>PART I - ALL PUBLICATIONS (EXCEPT RPSTL AND SC/SM) AND BLANK FORMS</b>							
PUBLICATION/FORM NUMBER						DATE	TITLE
ITEM	PAGE	PARA-GRAPH	LINE	FIGURE NO.	TABLE	RECOMMENDED CHANGES AND REASON	
<i>* Reference to line numbers within the paragraph or subparagraph.</i>							
TYPED NAME, GRADE OR TITLE						TELEPHONE EXCHANGE/AUTOVON, PLUS EXTENSION	SIGNATURE

<b>TO:</b> <i>(Forward direct to addressee listed in publication)</i>	<b>FROM:</b> <i>(Activity and location) (Include ZIP Code)</i>	<b>DATE</b>
---	--	-------------

**PART II - REPAIR PARTS AND SPECIAL TOOL LISTS AND SUPPLY CATALOGS/SUPPLY MANUALS**

PUBLICATION NUMBER			DATE	TITLE				
PAGE NO.	COLM NO.	LINE NO.	NATIONAL STOCK NUMBER	REFERENCE NO.	FIGURE NO.	ITEM NO.	TOTAL NO. OF MAJOR ITEMS SUPPORTED	RECOMMENDED ACTION

**PART III - REMARKS** *(Any general remarks or recommendations, or suggestions for improvement of publications and blank forms. Additional blank sheets may be used if more space is needed.)*

TYPED NAME, GRADE OR TITLE	TELEPHONE EXCHANGE/AUTOVON, PLUS EXTENSION	SIGNATURE
----------------------------	--	-----------

<b>RECOMMENDED CHANGES TO PUBLICATIONS AND BLANK FORMS</b>						Use Part II ( <i>reverse</i> ) for Repair Parts and Special Tool Lists (RPSTL) and Supply Catalogs/Supply Manuals (SC/SM).	DATE
<small>For use of this form, see AR 25-30; the proponent agency is OAASA</small>							
TO: ( <i>Forward to proponent of publication or form</i> ) ( <i>Include ZIP Code</i> )						FROM: ( <i>Activity and location</i> ) ( <i>Include ZIP Code</i> )	
<b>PART I - ALL PUBLICATIONS (EXCEPT RPSTL AND SC/SM) AND BLANK FORMS</b>							
PUBLICATION/FORM NUMBER						DATE	TITLE
ITEM	PAGE	PARA- GRAPH	LINE	FIGURE NO.	TABLE	RECOMMENDED CHANGES AND REASON	
<small>* Reference to line numbers within the paragraph or subparagraph.</small>							
TYPED NAME, GRADE OR TITLE				TELEPHONE EXCHANGE/AUTOVON, PLUS EXTENSION		SIGNATURE	

<b>TO:</b> <i>(Forward direct to addressee listed in publication)</i>	<b>FROM:</b> <i>(Activity and location) (Include ZIP Code)</i>	<b>DATE</b>
---	--	-------------

**PART II - REPAIR PARTS AND SPECIAL TOOL LISTS AND SUPPLY CATALOGS/SUPPLY MANUALS**

PUBLICATION NUMBER			DATE		TITLE			
PAGE NO.	COLM NO.	LINE NO.	NATIONAL STOCK NUMBER	REFERENCE NO.	FIGURE NO.	ITEM NO.	TOTAL NO. OF MAJOR ITEMS SUPPORTED	RECOMMENDED ACTION

**PART III - REMARKS** *(Any general remarks or recommendations, or suggestions for improvement of publications and blank forms. Additional blank sheets may be used if more space is needed.)*

TYPED NAME, GRADE OR TITLE	TELEPHONE EXCHANGE/AUTOVON, PLUS EXTENSION	SIGNATURE
----------------------------	--	-----------

<b>RECOMMENDED CHANGES TO PUBLICATIONS AND BLANK FORMS</b>						Use Part II ( <i>reverse</i> ) for Repair Parts and Special Tool Lists (RPSTL) and Supply Catalogs/Supply Manuals (SC/SM).	DATE
For use of this form, see AR 25-30; the proponent agency is OAASA							
TO: ( <i>Forward to proponent of publication or form</i> ) ( <i>Include ZIP Code</i> )				FROM: ( <i>Activity and location</i> ) ( <i>Include ZIP Code</i> )			
<b>PART I - ALL PUBLICATIONS (EXCEPT RPSTL AND SC/SM) AND BLANK FORMS</b>							
PUBLICATION/FORM NUMBER						DATE	TITLE
ITEM	PAGE	PARA- GRAPH	LINE	FIGURE NO.	TABLE	RECOMMENDED CHANGES AND REASON	
* Reference to line numbers within the paragraph or subparagraph.							
TYPED NAME, GRADE OR TITLE				TELEPHONE EXCHANGE/AUTOVON, PLUS EXTENSION		SIGNATURE	

<b>TO:</b> <i>(Forward direct to addressee listed in publication)</i>	<b>FROM:</b> <i>(Activity and location) (Include ZIP Code)</i>	<b>DATE</b>
---	--	-------------

**PART II - REPAIR PARTS AND SPECIAL TOOL LISTS AND SUPPLY CATALOGS/SUPPLY MANUALS**

PUBLICATION NUMBER			DATE			TITLE		
PAGE NO.	COLM NO.	LINE NO.	NATIONAL STOCK NUMBER	REFERENCE NO.	FIGURE NO.	ITEM NO.	TOTAL NO. OF MAJOR ITEMS SUPPORTED	RECOMMENDED ACTION

**PART III - REMARKS** *(Any general remarks or recommendations, or suggestions for improvement of publications and blank forms. Additional blank sheets may be used if more space is needed.)*

TYPED NAME, GRADE OR TITLE	TELEPHONE EXCHANGE/AUTOVON, PLUS EXTENSION	SIGNATURE
----------------------------	--	-----------



## THE METRIC SYSTEM AND EQUIVALENTS

### LINEAR MEASURE

1 Centimeter = 10 Millimeters = 0.01 Meters = 0.3937 Inches  
 1 Meter = 100 Centimeters = 1000 Millimeters = 39.37 Inches  
 1 Kilometer = 1000 Meters = 0.621 Miles

### WEIGHTS

1 Gram = 0.001 Kilograms = 1000 Milligrams = 0.035 Ounces  
 1 Kilogram = 1000 Grams = 2.2 Lb.  
 1 Metric Ton = 1000 Kilograms = 1 Megagram = 1.1 Short Tons

### LIQUID MEASURE

1 Milliliter = 0.001 Liters = 0.0338 Fluid Ounces  
 1 Liter = 1000 Milliliters = 33.82 Fluid Ounces

### SQUARE MEASURE

1 Sq. Centimeter = 100 Sq. Millimeters = 0.155 Sq. Inches  
 1 Sq. Meter = 10,000 Sq. Centimeters = 10.76 Sq. Feet  
 1 Sq. Kilometer = 1,000,000 Sq. Meters = 0.386 Sq. Miles

### CUBIC MEASURE

1 Cu. Centimeter = 1000 Cu. Millimeters = 0.06 Cu. Inches  
 1 Cu. Meter = 1,000,000 Cu. Centimeters = 35.31 Cu. Feet

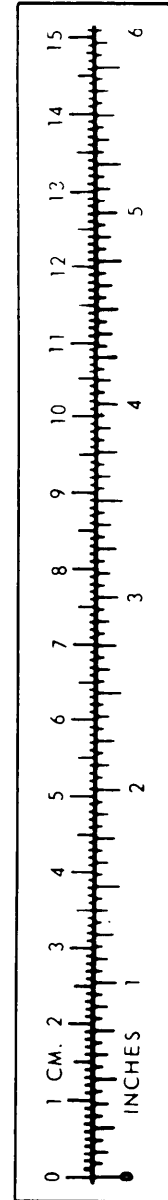
### TEMPERATURE

$\frac{5}{9}(\text{°F} - 32) = \text{°C}$   
 212° Fahrenheit is equivalent to 100° Celsius  
 90° Fahrenheit is equivalent to 32.2° Celsius  
 32° Fahrenheit is equivalent to 0° Celsius  
 $\frac{9}{5} \text{°C} + 32 = \text{°F}$

### APPROXIMATE CONVERSION FACTORS

TO CHANGE	TO	MULTIPLY BY
Inches	Centimeters	2.540
Feet	Meters	0.305
Yards	Meters	0.914
Miles	Kilometers	1.609
Square Inches	Square Centimeters	6.451
Square Feet	Square Meters	0.093
Square Yards	Square Meters	0.836
Square Miles	Square Kilometers	2.590
Acres	Square Hectometers	0.405
Cubic Feet	Cubic Meters	0.028
Cubic Yards	Cubic Meters	0.765
Fluid Ounces	Milliliters	29.573
Pints	Liters	0.473
Quarts	Liters	0.946
Gallons	Liters	3.785
Ounces	Grams	28.349
Pounds	Kilograms	0.454
Short Tons	Metric Tons	0.907
Pound-Feet	Newton-Meters	1.356
Pounds per Square Inch	Kilopascals	6.895
Miles per Gallon	Kilometers per Liter	0.425
Miles per Hour	Kilometers per Hour	1.609

TO CHANGE	TO	MULTIPLY BY
Centimeters	Inches	0.394
Meters	Feet	3.280
Meters	Yards	1.094
Kilometers	Miles	0.621
Square Centimeters	Square Inches	0.155
Square Meters	Square Feet	10.764
Square Meters	Square Yards	1.196
Square Kilometers	Square Miles	0.386
Square Hectometers	Acres	2.471
Cubic Meters	Cubic Feet	35.315
Cubic Meters	Cubic Yards	1.308
Milliliters	Fluid Ounces	0.034
Liters	Pints	2.113
Liters	Quarts	1.057
Liters	Gallons	0.264
Grams	Ounces	0.035
Kilograms	Pounds	2.205
Metric Tons	Short Tons	1.102
Newton-Meters	Pound-Feet	0.738
Kilopascals	Pounds per Square Inch	0.145
Kilometers per Liter	Miles per Gallon	2.354
Kilometers per Hour	Miles per Hour	0.621



**PIN: 049857-000**